

Installation Guide
Instrucciones de Instalación
Instructions d'Installation
English / Español / Français

Models/Modelos/Modèles: 630.1399*, 630.1300*, 630.1302*

Kenmore Elite[®]

Dishwasher

Lavadora de Platos

Lave Vaisselle

* = color number, número de color, le numéro de la couleur

P/N 9000531215 Rev. A

Sears Brands Management Corporation
Hoffman Estates, IL 60179 USA
www.kenmore.com
www.sears.com

Sears Canada Inc.
Toronto, Ontario, Canada M5B 2B8
www.sears.ca



TABLE OF CONTENTS

Dishwasher Safety.....	2-3	Drain connection.....	8
Tools needed.....	4	Rubber Drain Hose Adaptor.....	9
Materials supplied.....	4	Mounting Brackets.....	9
Pre-install instructions.....	5	Leveling the Dishwasher.....	10
Electrical requirements.....	6	Attaching the Toe Panel.....	11
Inlet Water connections.....	7		



IMPORTANT SAFETY INSTRUCTIONS

To avoid possible injury or property damage, **OBSERVE ALL WARNINGS AND CAUTIONS.** These instructions are intended for use by qualified installers only. In addition to these instructions, the dishwasher shall be installed to meet all electrical and plumbing codes and ordinances (both national and local).

WARNING



Avoiding General Hazards

Do not use the dishwasher until it is completely installed. When opening the door on an uninstalled dishwasher, carefully open the door while supporting the rear of the unit. Failure to follow this warning can cause the dishwasher to tip over and result in serious injury.

In some conditions, hydrogen gas can form in a hot water system that has not been used for weeks. Hydrogen gas is explosive. Before filling a dishwasher from a system that has been off for weeks, run the water from a nearby faucet in a well ventilated area until there is no sound or evidence of gas.

Temperatures required for soldering and sweating will damage the dishwasher's base and water inlet valve. If plumbing lines are to be soldered or sweated, keep the heat source at least 6 inches (152.4 mm) away from the dishwasher's base and water inlet valve.

Removing any cover or pulling the dishwasher from the cabinet can expose hot water connections, electrical power and sharp edges or points. Handle with care. Always wear gloves and safety glasses.



Avoiding Electrical Shock/Fire Hazards

Do not allow the electrical and water supply lines to touch. Separate channels are provided under the dishwasher.

Do not work on an energized circuit. Doing so could result in serious injury or death. Only qualified electricians should perform electrical work. Do not attempt any work on the dishwasher electric supply circuit until you are certain the circuit is de-energized.

Make sure electrical work is properly installed. There should be no loose electrical connections. Ensure all electrical connections are properly made.

The customer has the responsibility of ensuring that the dishwasher electrical installation is in compliance with all national and local electrical codes and ordinances. The dishwasher is designed for an electrical supply of 120V, 60 Hz, AC, connected to a dishwasher-dedicated, properly grounded electrical circuit with a fuse or breaker rated for 15 amps. Electrical supply conductors shall be a minimum #14 AWG copper only wire rated at 75°C (167°F) or higher.

This appliance must be connected to a grounded metal, permanent wiring system, or an equipment-grounding conductor must be run with the circuit conductors and connected to the equipment-grounding terminal or lead on the appliance. Do not use extension cords.



Avoiding Plumbing/Scalding Hazards

Do not perform any work on a charged hot water line. Serious injury could result. Only qualified plumbers should perform plumbing work. Do not attempt any work on the dishwasher hot water supply plumbing until you are certain the hot water supply is shut off.

Do not overtighten the 90° elbow. Doing so may damage the water inlet valve and cause a water leak.

Temperatures required for soldering and sweating will damage the dishwasher's water inlet valve. If plumbing lines are to be soldered or sweated, keep the heat source at least 6 inches (152.4 mm) away from the dishwasher's water inlet valve.

Check local plumbing codes for approved plumbing procedures and accessories. All plumbing should be done in accordance with national and local codes.

These instructions depict an installation method for stainless steel braided hose or PEX hot water supply lines. If using copper tubing or other material for water supply, defer to a licensed plumber for proper installation.



IMPORTANT SAFETY INSTRUCTIONS - Please Read and SAVE this information

Read these installation instructions completely and follow them carefully. They will save you time and effort and help to ensure safety and optimum dishwasher performance.

If the dishwasher is installed in a location that experiences freezing temperatures (e.g., in a holiday home), you must drain all the water from the dishwasher's interior. Water system ruptures that occur as a result of freezing are NOT COVERED BY WARRANTY.

IMPORTANT

- The dishwasher drain hose must be installed with a portion of it at least 20" (508mm) above the cabinet floor; otherwise the dishwasher may not drain properly.
- This dishwasher is intended for indoor residential use only, and should not be used in commercial food service establishments.

OTHER IMPORTANT INFORMATION

Before installing the "L"-shaped supplied countertop mounting brackets (select models), decide which method will be used to secure the dishwasher into its opening. Once these mounting brackets are installed on the dishwasher, removing them is difficult and will damage the mounting brackets and the dishwasher.

- This dishwasher is designed to be enclosed on the top and both sides by cabinetry.
- NEW INSTALLATION - If the dishwasher is a new installation, most of the work must be done before the dishwasher is moved into place.
- REPLACEMENT - If the dishwasher is replacing another dishwasher, check the existing dishwasher connections for compatibility with the new dishwasher, and replace parts as necessary.
- This appliance has been found to be in compliance with CAN/CSA-C22.2 No. 167/UL 749. It is the responsibility of the owner and the installer to determine if additional requirements and standards apply in specific installations.
- Not for outdoor use.

Inspect the Dishwasher

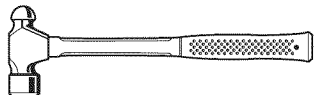
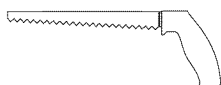


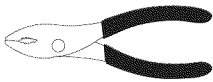
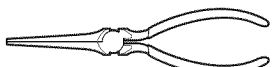

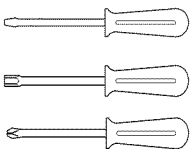
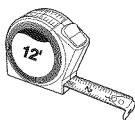
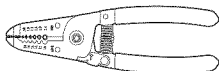
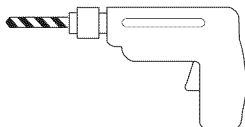
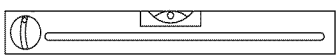
After unpacking the dishwasher and prior to installation, thoroughly inspect the dishwasher for possible freight or cosmetic damage. Report any damage immediately by calling 1-800-4-MY-HOME. Cosmetic defects must be reported within 30 days of installation.

NOTE: Do not discard any bags or items that come with the original package until after the entire installation has been completed.

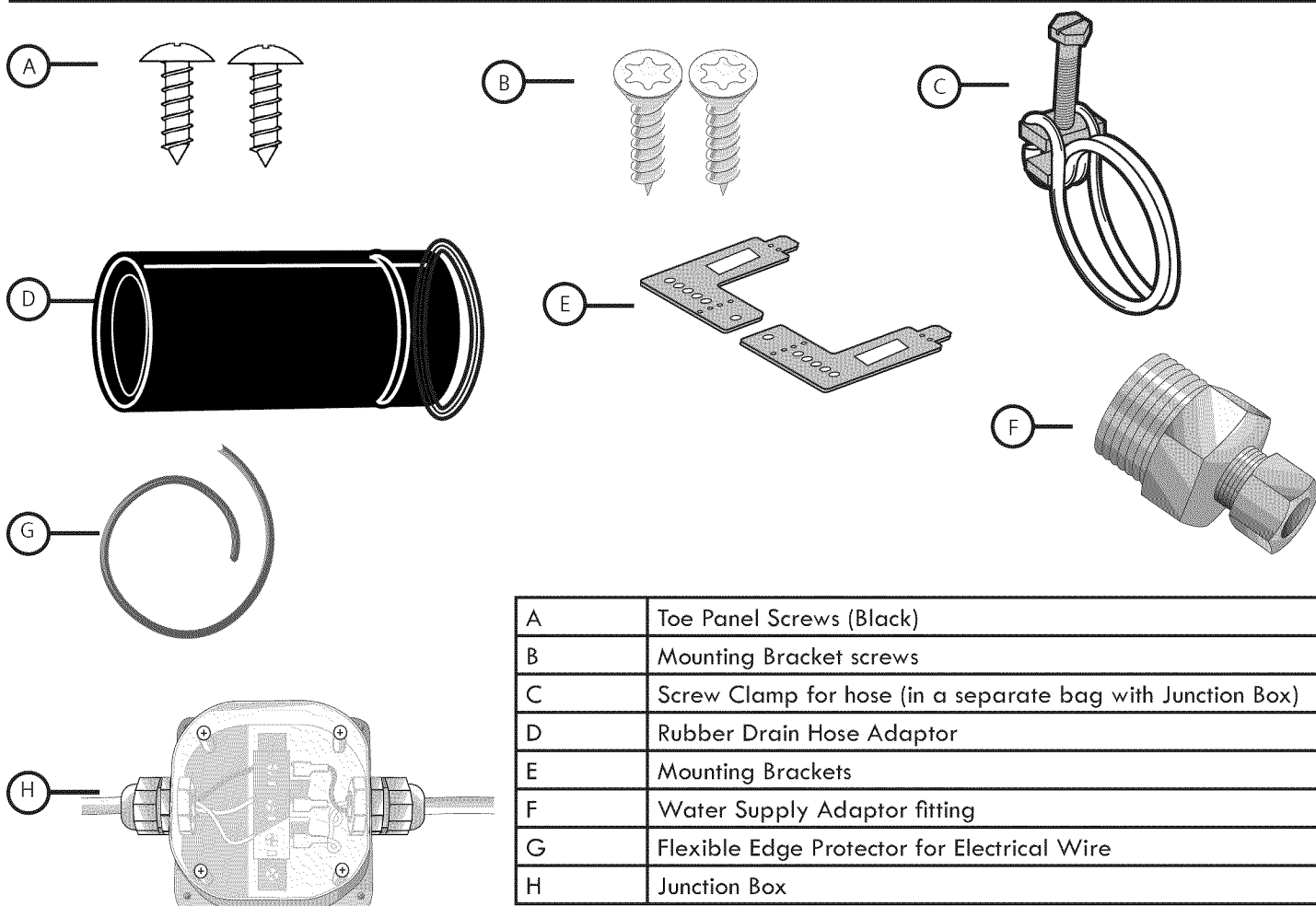
MATERIALS NEEDED

	Electrical Supply Cable - Minimum #14 AWG, 2 conductor, 1 ground, insulated copper conductors rated 75°C (167°F) or higher.		Shut-off valve and fittings appropriate for hot water supply line (copper tubing/compression fitting, or braided hose).
	Hot Water Supply Line - Minimum 3/8" (0.95cm) O.D. copper tubing, PEX, or metal braided dishwasher supply line.		UL listed conduit connector or strain relief is required if you attach the field wiring directly to the terminal block.
	Shut-off valve and fittings appropriate for hot water supply line (copper tubing/compression fitting, or braided hose).		Four screws to mount the junction box

TOOLS NEEDED

 Hammer	 Hole Saw	 Safety Glasses	 Adjustable Wrench
 Pliers	 Needle Nose Pliers	 Work Gloves	 Screwdrivers
 Measure Tape	 Wire Strippers	 Drill	 Level

MATERIALS SUPPLIED



A	Toe Panel Screws (Black)
B	Mounting Bracket screws
C	Screw Clamp for hose (in a separate bag with Junction Box)
D	Rubber Drain Hose Adaptor
E	Mounting Brackets
F	Water Supply Adaptor fitting
G	Flexible Edge Protector for Electrical Wire
H	Junction Box

PRE - INSTALLATION INSTRUCTIONS

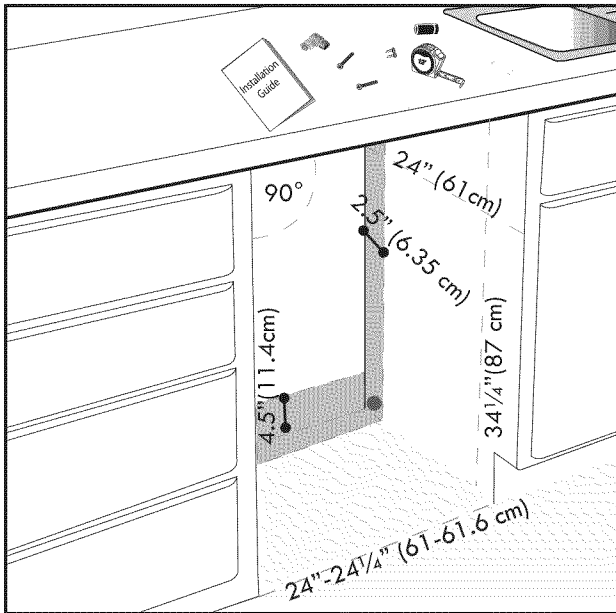


WARNING

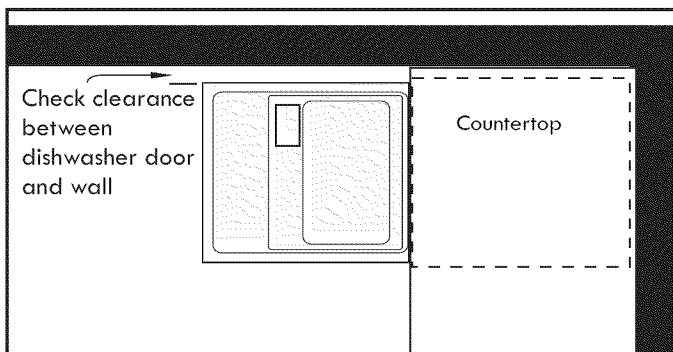
Avoid Scalding or Electrical Shock Hazard!
Make sure the water supply and electrical supply are shut off before installation or service.

NOTE: This dishwasher is designed to be enclosed on the top and both sides by standard residential kitchen cabinetry.

Select a location as close to the sink as possible for easy access to water supply and drain lines.
For proper dishwasher operation and appearance, ensure that the enclosure is square and has the dimensions shown below.



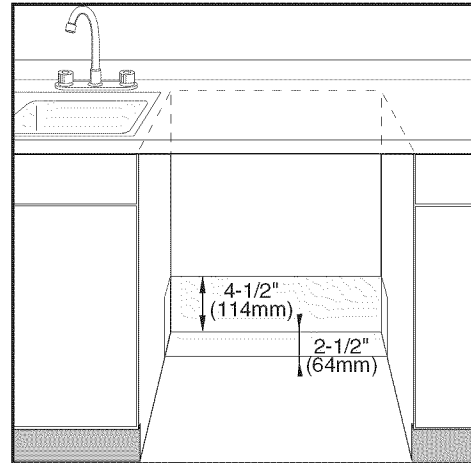
If the dishwasher is to be installed in a corner, make sure that there is adequate clearance to open the door.



WARNING

Avoid Electrical Shock/Fire Hazard
Do not allow the electrical and water supply lines to touch.

After locating the proper place for your new dishwasher, you will need to make any required openings to allow for passage of the water, drain and electrical line. In order to avoid interference with the dishwasher when sliding it into the cabinet, place your openings within the dimensions shown below.

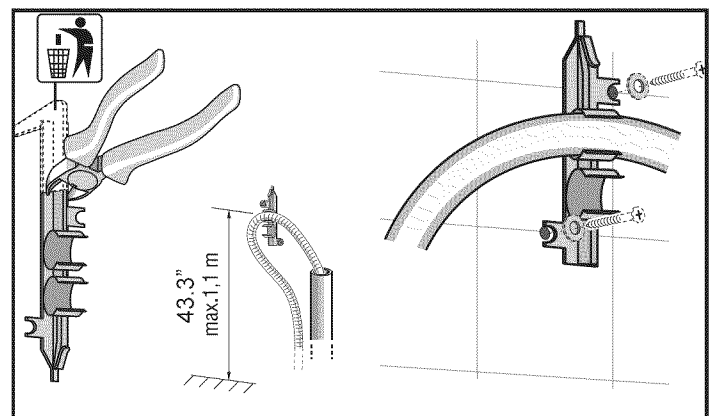


REQUIRED OPENINGS:

- 4 1/4" x 2" (10.8 x 5.2cm) - To pass the included electrical supply junction box through to an adjacent cabinet
- 4" x 2" (10 x 5cm) - To pass the included water supply line toward the water supply
- 1 1/4" (3.2cm) diameter - To pass the dishwasher drain hose toward the drain connection

NOTE: If the incoming electric supply, water supply and drain connections are all in the same cabinet, the one 4 1/4" x 2" (10.8 x 5.2cm) hole will be large enough for all three to pass through.

Before sliding the dishwasher into the cabinet, remove the hose clip at the back of the dishwasher, as shown below and discard.



ELECTRICAL REQUIREMENTS



WARNING

Avoid Electrical Shock Hazard

Do not work on an energized circuit. Doing so could result in serious injury or death. Only qualified electricians should perform electrical work. Do not attempt any work on the dishwasher electric supply circuit until you are certain the circuit is de-energized.

Electrical Supply

The customer has the responsibility of ensuring that the dishwasher electrical installation is in compliance with all national and local electrical codes and ordinances. The dishwasher is designed for an electrical supply of 120V, 60 Hz, AC, connected to a dishwasher-dedicated, properly grounded electrical circuit with a fuse or breaker rated for 15 amps. Electrical supply conductors shall be a minimum #14 AWG copper wire rated at 75°C (167°F) or higher.

Grounding Instructions

The dishwasher must be properly grounded before operating. This appliance must be connected to a grounded metal permanent wiring system, or an equipment grounding conductor must be run with the circuit conductors and connected to the equipment grounding terminal or lead on the dishwasher. Make sure that the dishwasher is connected to a suitable ground in compliance with all local codes or, in the absence of a local code, with the NATIONAL ELECTRICAL CODE in the United States or the CANADIAN ELECTRIC CODE C22.1-latest edition in Canada as well as any provincial/state or municipal or local codes that apply.

Dishwasher Electrical Rating

Volts	Hertz	Amperes	Watts
120	60	12	1,450 (max)

Electrical Connection

The dishwasher electrical supply junction box and dedicated receptacle must be mounted in an accessible cabinet adjacent to the dishwasher (do not mount the junction box or receptacle behind the dishwasher). You will need a 4 1/4" x 2" (10.8 x 5.1 cm) opening through the cabinet in order to pass the junction box through. If the opening is made through wood, sand it smooth. If the opening is made through metal, use the included protective grommet or other approved method to protect wiring from damage.



WARNING

Avoid Fire Hazard

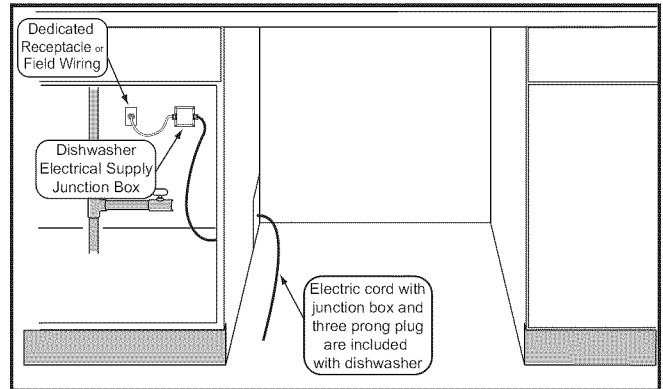
Make sure electrical work is properly installed. Only qualified electricians should perform electrical work.

Use the four screws (not supplied) to securely mount the junction box so that it can be easily accessed. The electrical supply can be connected in two ways:

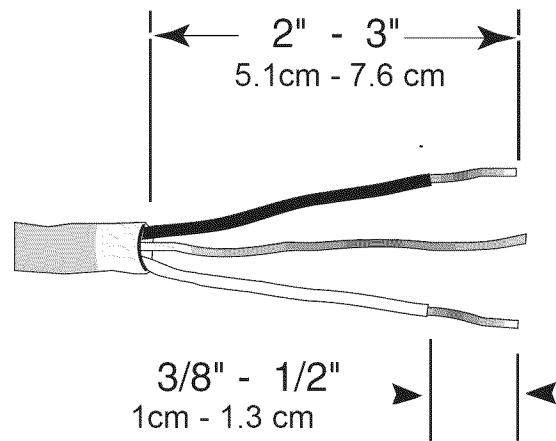
Method A - Three prong plug and receptacle

Use the included three-prong plug and junction box to connect to a dedicated household receptacle. Make sure the household receptacle meets the electrical supply requirements as well as national and local codes.

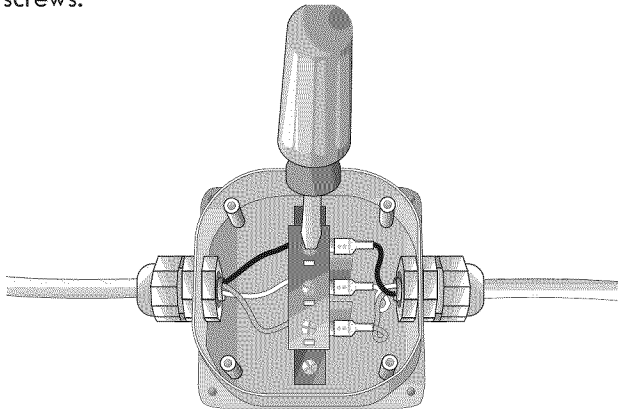
Method B - To permanently connect to household or field wiring:



1. Remove the dishwasher electrical supply junction box cover and connect to the power supply cord from the house installation.
2. Remove 2" to 3" (5.1 - 7.6cm) of the outer casing of the household or field supply wiring as shown below. Remove 3/8" to 1/2" (1 - 1.3cm) of the insulation from each wire.

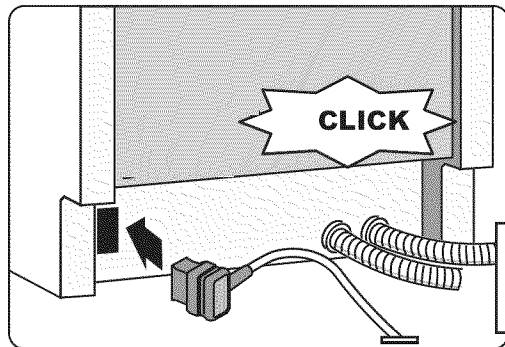


3. Insert the bare copper or green wire(ground) to the “G” ground connection of the terminal block and securely tighten the terminal block screw.
4. Insert the white (neutral) wire to the “N” connection of the terminal block and securely tighten the terminal block screw.
5. Insert the black(hot) wire to the “L” connection of the terminal block and securely tighten the terminal block screw.
6. Check all electrical connections to make sure they are secure and then attach the junction box cover with the 4 screws.



METHOD A & B

As a final step, connect the dishwasher power supply plug (connected to the junction box at the other end) in the slot at the bottom of the dishwasher as shown below.



Dishwasher power supply plug



CAUTION

Temperatures required for soldering and sweating will damage the dishwasher. If plumbing lines are to be soldered or sweated, keep the heat source at least 6 inches (152.4 mm) away from the dishwasher.

INLET WATER CONNECTIONS

Hot Water Supply

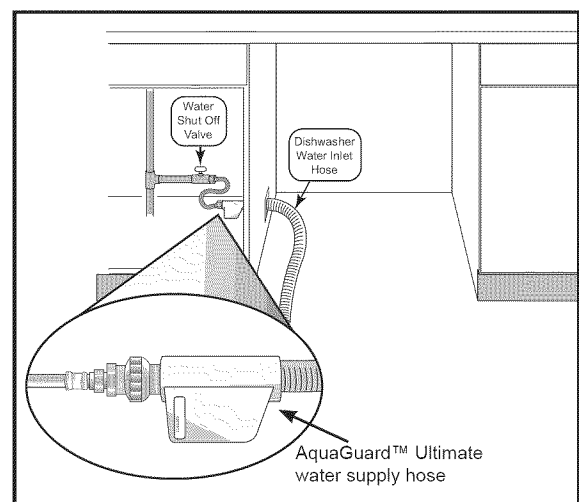
The hot water heater should be set to deliver approximately 120° F (49° C) water to the dishwasher. Water that is too hot can cause some detergents to lose effectiveness. Lower water temperatures will increase run times. The hot water supply pressure must be between 15 - 145 psi (1 - 10 bar).

IMPORTANT NOTES:

- If using a solder joint instead of a compression fitting, be sure to make all solder connections before connecting the water supply line to the dishwasher.
- Make sure there are no sharp bends or kinks in the water line that might restrict water flow.
- Always use the appropriate seal when making plumbing connections.
- Before connecting the water supply line to the dishwasher, flush the incoming water line for approximately 5 minutes to clear any foreign material.
- Turn on the water supply and check for leaks after connections are made.


Connecting the Hot Water Supply

There are two plastic corrugated hoses that exit the back of the dishwasher. The larger hose, with the brass fitting on the end, is the water supply hose to the dishwasher (the other hose is the dishwasher drain hose). You will need a 3" x 1³/₄" (7.6 x 4.5cm) opening through the cabinet to pass the dishwasher water supply line through toward the shut off valve.



To connect the hot water supply:

1. Assemble the water supply adaptor fitting from the parts bag onto the dishwasher water supply hose. This connection does not require Teflon brand tape.
2. Pass the dishwasher water supply line with attached adaptor through the opening toward the water shut off valve. Take care not to allow the hose to kink or twist behind the dishwasher.
3. Connect the dishwasher water supply line with adaptor to the water shut off valve. You will need to use an approved dishwasher water supply line with the correct fittings for this connection. Always use the appropriate seal when making plumbing connections.
NOTE: The end of the dishwasher water inlet hose is heavy and will need to be supported. It is best to lay the end on the cabinet floor.
4. After all connections are made, turn on the hot water and check for leaks.

 **WARNING**

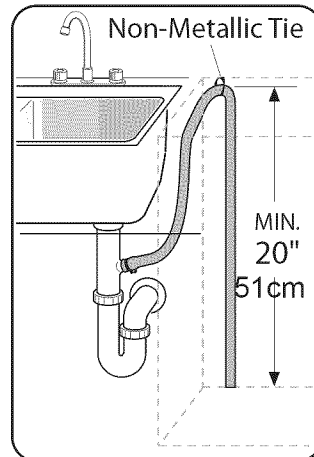
Avoid Scald Hazard
Do not perform any work on a charged hot water line. Serious injury could result. Only qualified plumbers should perform plumbing work. Do not attempt any work on the dishwasher hot water supply plumbing until you are certain the hot water supply is shut off.

DRAIN CONNECTIONS

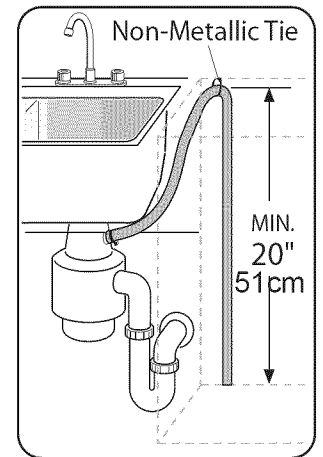
IMPORTANT NOTES:

- If local ordinance require an air gap, install it according to the manufacturer's instructions.
- If the dishwasher drain hose is to be connected to a disposer dishwasher drain connection, remove the plug from the disposer's dishwasher drain connection.
- The dishwasher drain hose must have one place along its length that is securely attached 20 inches (50.8cm) above the cabinet floor.
- The drain hose length can be extended if necessary. The maximum length of the drain hose, including the hose leading to the air gap, is 150 inches (381 cm).

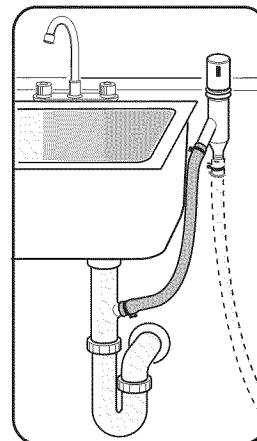
The dishwasher drain hose may be connected to the household or field drain plumbing in one of four ways. You will need a 1 1/4" (3.2 cm) diameter hole in order to pass the drain hose through the cabinet.



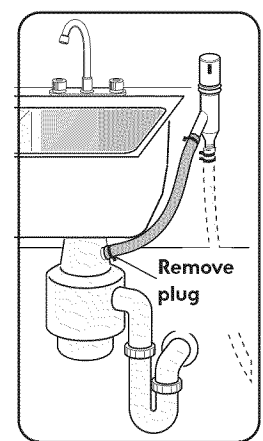
Directly to the undersink dishwasher drain connection.



Directly to a disposer dishwasher drain connection.



To the undersink dishwasher drain connection through an air gap.



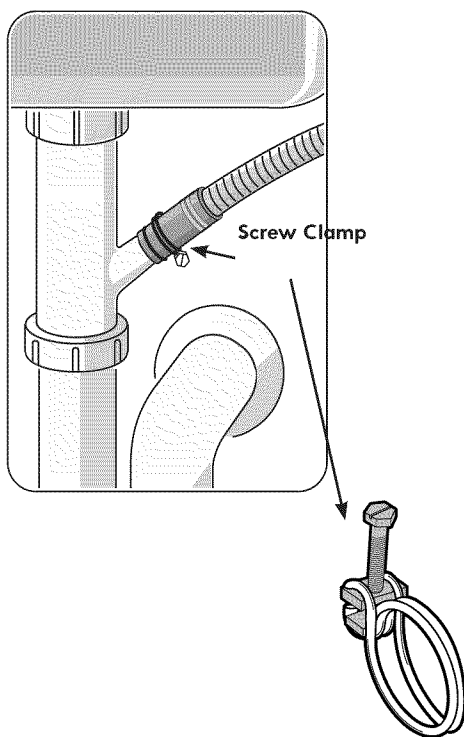
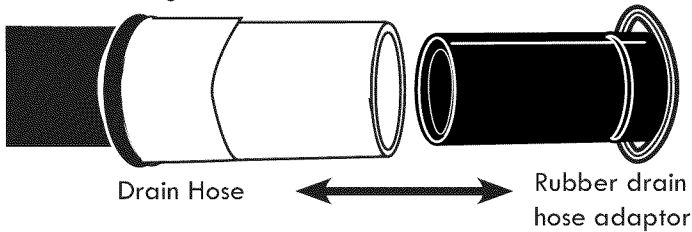
To a disposer dishwasher drain connection through an air gap.

RUBBER DRAIN HOSE ADAPTOR

For a large port, use the drain hose as it is.

For a small port, insert the rubber drain hose adaptor into the drain hose end as shown below.

1. Obtain the Rubber Drain Hose Adaptor screw clamp from the Dishwasher Installation Kit (**do not substitute**).
2. Insert the dishwasher drain hose into the **end of the drain hose**. Be sure to fully insert the drain hose.
3. Use the clamp provided to attach the Rubber Drain Hose Adaptor to the house plumbing. Tighten until hose can no longer rotate.

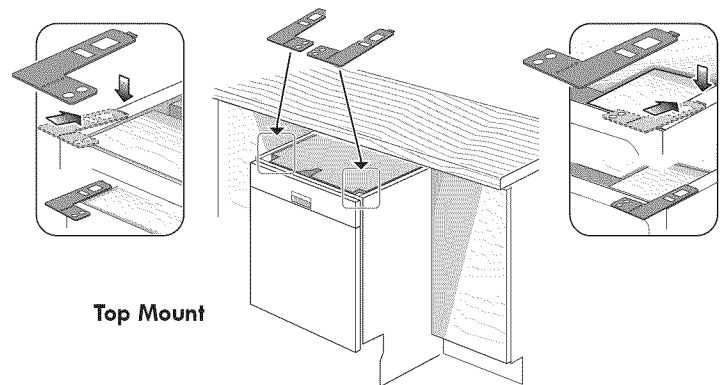


MOUNTING BRACKETS

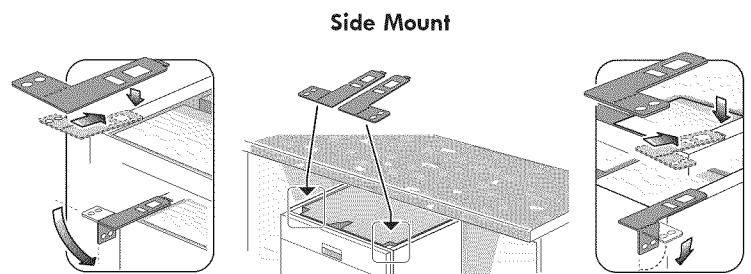
Before installing the supplied countertop mounting brackets, decide which method of securing the dishwasher into its enclosure will be used. Once the mounting brackets are installed on the dishwasher, removing them is difficult and will damage the mounting brackets and the dishwasher.

The dishwasher can be secured into its enclosure in two ways:

1. **Top Mount** is used for countertops made of wood or other materials that can easily drilled. Orient the mounting brackets as shown below and position the the mounting brackets over the slots on the dishwasher's front corners. Push the mounting brackets down firmly to insert the tabs into the slots.



2. **Side Mount** is used for countertops made of marble, granite, or other very hard materials that cannot be easily drilled. Bend the mounting brackets along the small holes and in the same direction as the two small tabs. Orient the mounting brackets as shown below, and position the two small tabs on the mounting brackets over the two slots on the dishwasher's front corners. Push the mounting brackets down firmly to insert the tabs into the slots.

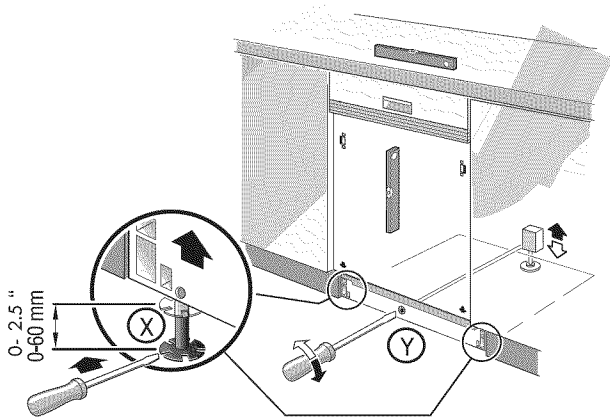


WARNING

Do not use the dishwasher until it is completely installed. When opening the door on an uninstalled dishwasher, carefully open the door while supporting the rear of the unit. Failure to follow this warning can result in serious injury.

LEVELING THE DISHWASHER

The unit should now be ready to slide into the cabinet opening. To avoid scratching the floor, use floor protection and caution when sliding the dishwasher into the cabinet. Make sure that the hoses and cords do not bunch up behind the unit or kink as you slide the unit back. Make certain to slide the unit into place before raising the leg levelers.



NOTE: If the dishwasher is not level, it may not operate properly and could cause leaks.

Check that the leveling legs are firmly against the floor.

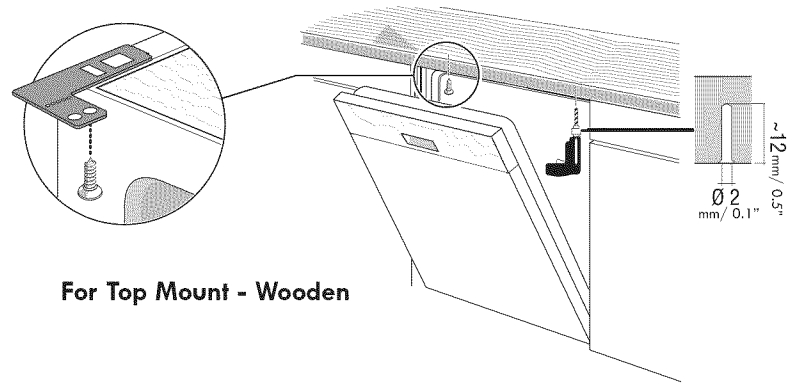
- Place a level against the front panel.
- Check that the dishwasher is plumb. If needed, adjust leg levelers until dishwasher is plumb.
- Open the door.
- Place the level inside against the top of the tub.
- Check that dishwasher is level from side to side. Adjust the leg levelers as necessary.

Adjusting the leg levelers:

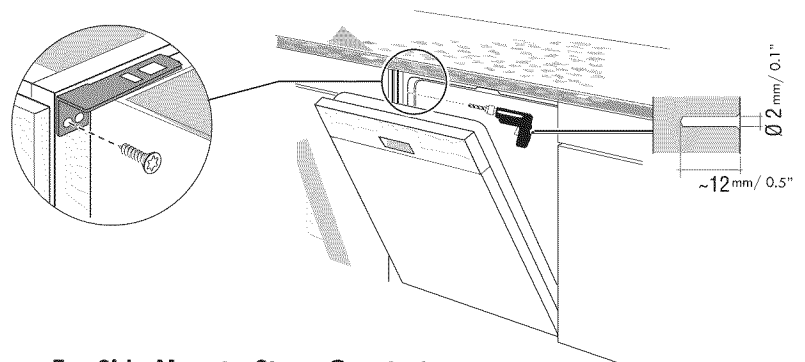
- To adjust the front feet (X), turn **clockwise to raise** or **counter-clockwise to lower**.
- To adjust the back foot, turn the center screw (Y) **clockwise to raise** or **counter-clockwise to lower**.

SECURING THE DISHWASHER

1. Drive the mounting screws through the holes in the mounting brackets as shown for Top or Side Mount.
2. After the unit is installed in the enclosure, leveled and secured, lock the two front leg levelers in place by driving the enclosed leg leveler locking screws into each screw slot located in front of the levelers.
3. Tighten screws until they are flush with the surface of the slots.



For Top Mount - Wooden

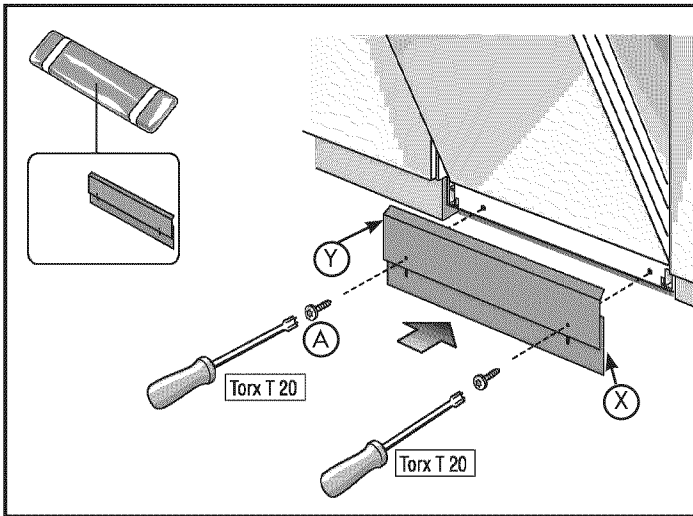


For Side Mount - Stone Countertop

ATTACHING THE TOE PANEL

Your dishwasher comes with a three-piece toe panel to allow height adjustment.

1. Position the slotted rear toe panel (X) on the dishwasher first. Allow it to rest on the floor.
2. Position the mating front toe panel (Y) on top of the rear toe panel allowing the angled edge to rest on the mating edge of the dishwasher.
3. Drive the two black screws (A) (supplied) through the hole in the toe panel to secure. Only use the supplied screws to avoid damaging the dishwasher.



CHECK FOR LEAKS

Attach water line to incoming hot water shut off valve.

- Turn on water and check for leaks.
- Turn power back on at fuse box.
- Start dishwasher and listen for water and pump for water distribution. Press Cancel/Reset to drain and check for leaks.

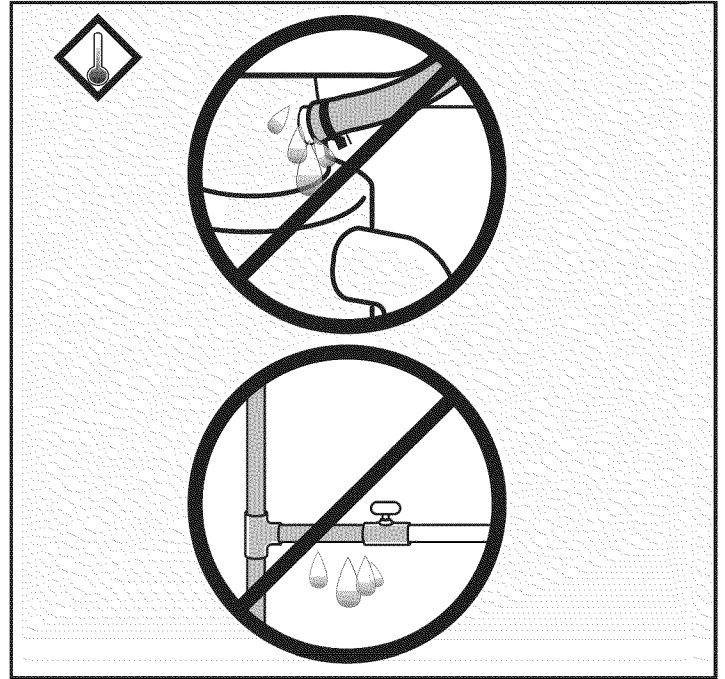


TABLE DES MATIÈRES

Sécurité du lave-vaisselle	2-3	Raccordement d'évacuation	8
Outils nécessaires	4	Adaptateur de tuyau de vidange en caoutchouc	9
Matériel fourni	4	Pattes de fixation	9
Instructions préalables à l'installation	5	Mise à niveau du lave-vaisselle	10
Spécifications électriques	6	Fixation du panneau coup-de-pied	11
Raccordements d'arrivée d'eau	7		



IMPORTANTES CONSIGNES DE SÉCURITÉ

Afin d'éviter la possibilité de blessures ou de dommages matériels **VEUILLEZ OBSERVER TOUS LES AVERTISSEMENTS ET PRÉCAUTIONS**. Ces instructions sont destinées uniquement à l'usage des installateurs qualifiés. Outre ces instructions, le lave-vaisselle doit être installé conformément à tous les codes et ordonnances nationales et locales en matière d'électricité et de plomberie.

Vérifier que l'installation électrique est correctement réalisée. Il ne doit y avoir aucun raccordement électrique lâche. Vérifier que tous les branchements électriques sont correctement effectués.

Le client a la responsabilité de vérifier que l'installation électrique du lave-vaisselle est conforme à tous les codes et ordonnances électriques nationaux et locaux. Le lave-vaisselle a été conçu pour fonctionner avec une alimentation électrique en courant alternatif de 120 volts, 60 Hz, connectée à un circuit électrique correctement mis à la terre, conçu pour les lave-vaisselle, avec protection par fusible ou disjoncteur d'une puissance de 15 ampères. Les conducteurs d'alimentation électrique doivent être uniquement en fil de cuivre de calibre 14 AWG minimum à une température nominale de 75°C (167°F) ou plus.

Cet appareil doit être raccordé à un système de câblage en métal permanent mis à la terre ou un conducteur de mise à la terre du matériel doit être utilisé avec les conducteurs du circuit et raccordé à la borne de mise à la terre de l'appareil ou au fil conducteur du lave-vaisselle. Ne pas utiliser de rallonge.

AVERTISSEMENT



Prévention des dangers d'ordre général

Ne pas utiliser le lave-vaisselle tant que l'installation n'est pas complètement terminée. Pour ouvrir la porte d'un lave-vaisselle dont l'installation n'est pas terminée, agir avec prudence et en soutenant la partie arrière de l'appareil. Le non respect de cet avertissement peut entraîner le basculement du lave-vaisselle et provoquer de graves blessures.

Sous certaines conditions, un chauffe-eau peut produire de l'hydrogène s'il n'a pas été utilisé pendant plusieurs semaines. L'hydrogène est un gaz explosif. Avant de remplir un lave-vaisselle en utilisant de l'eau fournie par un chauffe-eau qui n'a pas fonctionné pendant plusieurs semaines, faites couler l'eau d'un robinet situé à proximité, dans un endroit bien aéré, jusqu'à ce qu'il n'y ait plus de bruit et qu'aucun dégagement de gaz ne se manifeste de façon visible.

Les températures nécessaires pour souder et exsuder risquent d'endommager la base et la soupape d'admission d'eau du lave-vaisselle. Si certains tuyaux doivent être soudés ou exsudés, maintenez la source de chaleur à 6 pouces (152,4 mm) minimum de distance de la base du lave-vaisselle et de la soupape d'admission d'eau.

Le retrait d'un des couvercles ou le fait de tirer le lave-vaisselle hors de son encastrement peut exposer les conduites d'eau chaude, l'alimentation électrique et certains rebords et angles tranchants. Effectuer ces manœuvres avec prudence. Toujours porter des gants et des lunettes de sécurité.



Prévention des dangers de décharge électrique et d'incendie

Les câbles électriques et les conduites d'eau ne doivent pas entrer en contact les uns avec les autres. Des canaux indépendants sont prévus à cet effet sous le lave-vaisselle.

Ne pas faire d'intervention sur un circuit sous tension. Vous risquez autrement des blessures graves, voire la mort. Seuls les électriciens qualifiés doivent effectuer des travaux sur l'installation électrique. Ne pas tenter d'intervenir sur le circuit électrique du lave-vaisselle à moins d'être certain que celui-ci est hors tension.



Prévention des dangers de brûlures et liés à la tuyauterie

Ne pas tenter de travailler sur une conduite d'eau chaude chargée. De graves blessures pourraient survenir. Seuls les plombiers qualifiés doivent effectuer des travaux sur la tuyauterie. Ne tentez pas d'intervenir sur les conduites d'eau chaude du lave-vaisselle tant que vous n'êtes pas certain que l'alimentation en eau chaude est coupée.

Ne pas serrer le raccord coudé à 90° à l'excès. Vous risquez en effet d'endommager la soupape d'admission d'eau et de provoquer une fuite.

Les températures requises pour les opérations de soudure et d'exsudation risquent d'endommager la soupape d'admission d'eau du lave-vaisselle. Si certains tuyaux doivent être soudés ou exsudés, maintenez la source de chaleur à 6 pouces (152,4 mm) minimum de distance de la soupape d'admission d'eau du lave-vaisselle.

Consulter les codes de tuyauterie pour connaître les procédures et accessoires de tuyauterie agréés. Tous les travaux de tuyauterie doivent être réalisés conformément aux codes nationaux et locaux.

Ces instructions décrivent la méthode d'installation des flexibles tressés en acier inoxydable ou des conduites d'eau chaude en polyéthylène réticulé. Si vous utilisez un tube d'alimentation en cuivre ou d'un autre matériau, faites appel à un plombier autorisé afin d'assurer une installation adéquate.



INSTRUCTIONS DE SÉCURITÉ IMPORTANTES - Veuillez lire et CONSERVER ces informations

Lire cette notice d'installation entièrement et s'y conformer scrupuleusement. Cette notice vous permettra d'économiser du temps et des efforts et vous aidera à assurer la sécurité et l'efficacité optimale de votre lave-vaisselle.

Si le lave-vaisselle est installé à un endroit où il peut être exposé à des températures de gel (par exemple une maison de plaisance), vous devez vidanger entièrement l'eau du lave-vaisselle. Les éclatements dus au gel survenant dans la tuyauterie de distribution d'eau NE SONT PAS COUVERTS PAS LA GARANTIE.

IMPORTANT

- Le tuyau de vidange du lave-vaisselle doit être installé de façon à ce qu'une partie du tuyau soit à 20 pouces (508 mm) minimum au-dessus du plancher de l'armoire ; autrement, le lave-vaisselle risque de ne pas se vidanger correctement.
- Ce lave-vaisselle est destiné à un usage domestique uniquement et ne doit pas être utilisé par des établissements de service alimentaire commerciaux.

- Ce lave-vaisselle est prévu pour être encastré sous un comptoir et entre deux armoires de cuisine adjacentes.
- NOUVELLE INSTALLATION - Si le lave-vaisselle est installé pour la première fois, la plupart des travaux d'installation doivent être réalisés avant que l'appareil ne soit mis en place.
- REMPLACEMENT - Si le lave-vaisselle est installé en remplacement d'un autre, vérifiez les raccordements du lave-vaisselle existant pour vous assurer qu'ils sont compatibles à ceux du nouveau lave-vaisselle, et remplacez certaines pièces si nécessaire.
- Cet appareil est conforme à la norme CAN/CSA-C22.2 n° 167/UL 749. Le propriétaire et l'installateur ont la responsabilité de déterminer si des exigences et normes supplémentaires s'appliquent à des installations spécifiques.
- Non pour l'usage en extérieur.

AUTRES INFORMATIONS IMPORTANTES


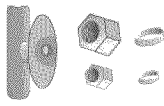

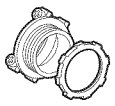
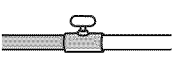
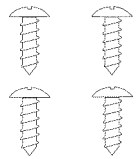
Avant d'installer les pattes de fixation pour comptoir en « L » (certains modèles) fournies, déterminer la méthode à utiliser pour fixer solidement le lave-vaisselle dans l'ouverture. Une fois les pattes de fixation installées sur le lave-vaisselle, il sera difficile de les retirer sans les abîmer ainsi que le lave-vaisselle.

Inspection du lave-vaisselle

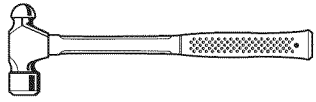
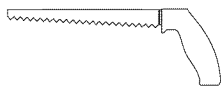


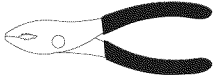
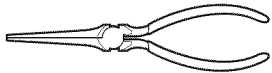

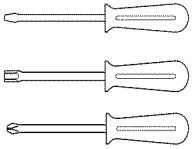
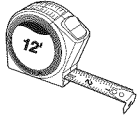
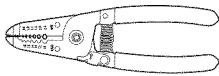
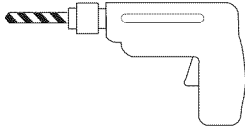
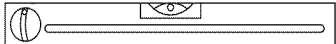
Après avoir déballé le lave-vaisselle et avant l'installation, examinez-le attentivement pour déceler d'éventuels dégâts esthétiques ou liés au transport. Signalez immédiatement tout dégât. Les défauts esthétiques doivent être signalés dans un délai de 30 jours après l'installation.

REMARQUE : ne jetez pas les sacs ou les éléments contenus dans l'emballage d'origine avant d'avoir complètement terminé l'installation du lave-vaisselle.

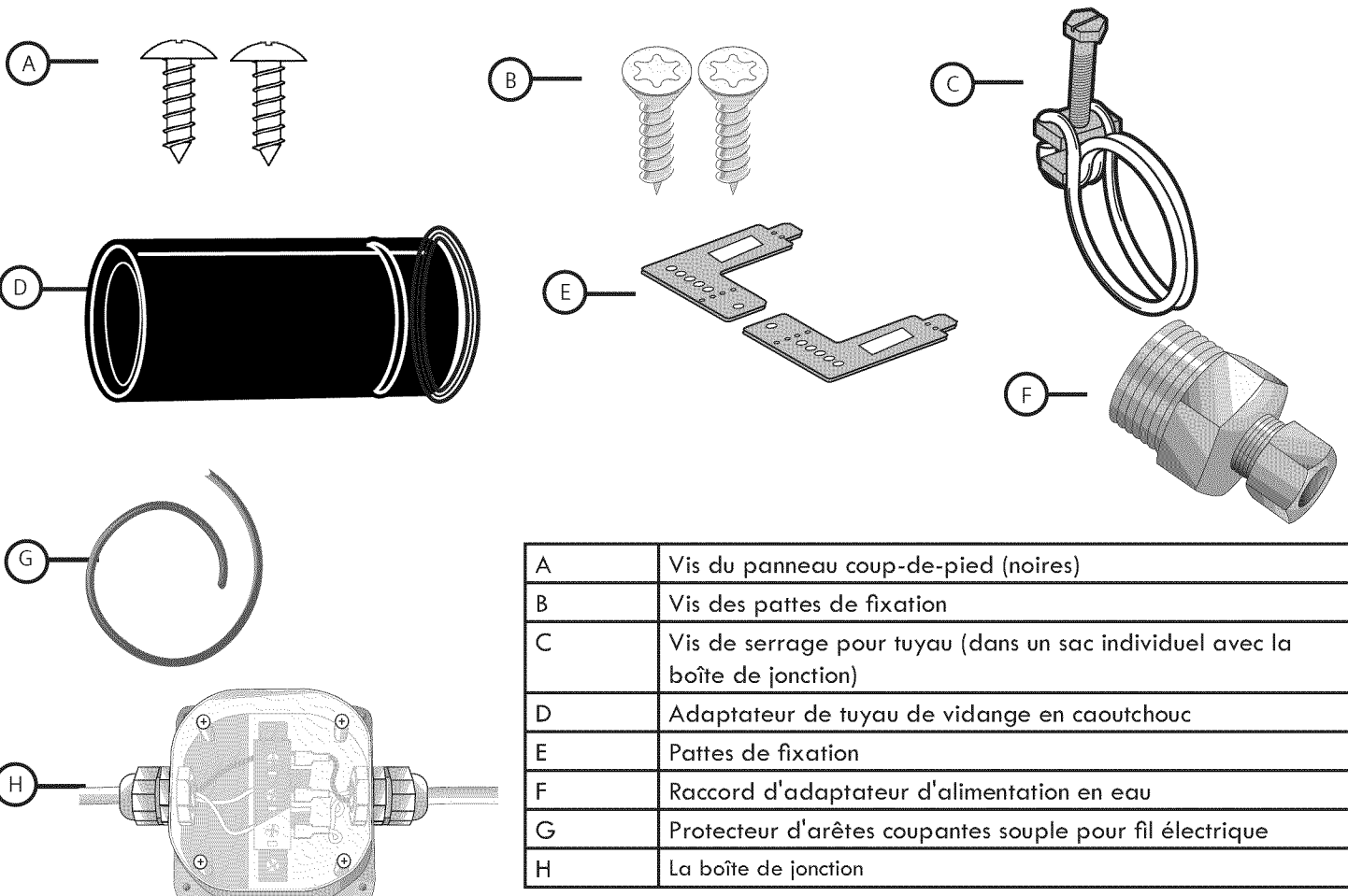
MATÉRIEL NÉCESSAIRE

	Câble d'alimentation électrique - calibre de 14 AWG minimum, deux conducteurs, 1 mise à la terre, conducteurs en cuivre isolé à une température nominale de 75° C (167° F) ou plus.		Soupape d'arrêt et raccords appropriés pour conduites d'eau chaude ((tube de cuivre/raccord de compression, ou tuyau tressé).
	Conduite d'eau chaude - tube en cuivre de 3/8 de po (0,95 cm) minimum de diamètre extérieur, en polyéthylène réticulé, ou conduite d'alimentation pour lave-vaisselle en métal tressé.		Un raccord de conduit ou raccord de retenue homologué UL est requis si le câblage sur site est directement relié au bornier.
	Soupape d'arrêt et raccords appropriés pour conduites d'alimentation en eau chaude ((tube de cuivre/raccord de compression, ou tuyau tressé).		Vis du la boîte de jonction

OUTILS NÉCESSAIRES

 Marteau	 Scie-cloche	 Verres de sûreté	 Clé réglable
 Pinces	 Pinces à bec effilé	 Gants de travail	 Tournevis
 Ruban à mesurer	 Coupe-fil	 Perceuse	 Niveau

MATÉRIEL FOURNI



A	Vis du panneau coup-de-pied (noires)
B	Vis des pattes de fixation
C	Vis de serrage pour tuyau (dans un sac individuel avec la boîte de jonction)
D	Adaptateur de tuyau de vidange en caoutchouc
E	Pattes de fixation
F	Raccord d'adaptateur d'alimentation en eau
G	Protecteur d'arêtes coupantes souple pour fil électrique
H	La boîte de jonction

INSTRUCTIONS PRÉALABLES À L'INSTALLATION



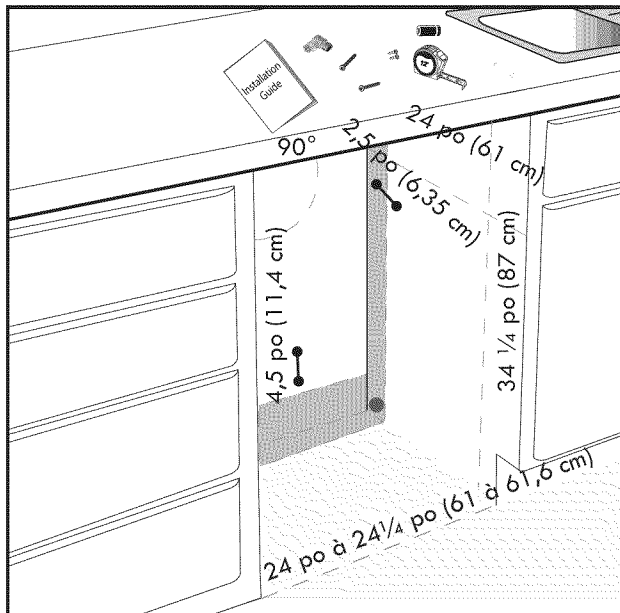
AVERTISSEMENT

Protégez-vous contre les dangers de brûlures et de décharge électrique !
S'assurer que l'alimentation en eau et l'alimentation électrique sont mises à l'arrêt avant toute installation ou réparation.

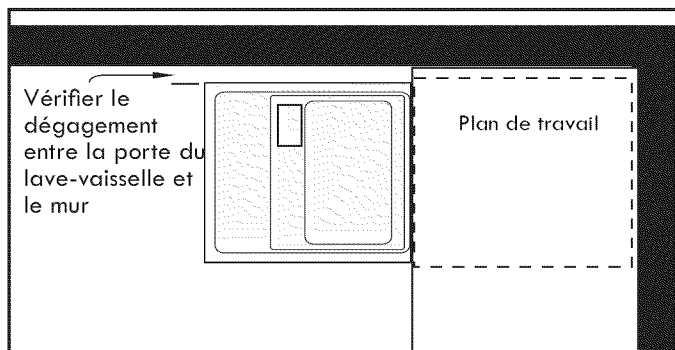
REMARQUE : ce lave-vaisselle est prévu pour être encastré sous un comptoir et entre deux armoires adjacentes standard d'une habitation.

Choisissez un emplacement aussi près que possible de l'évier afin que les conduites d'arrivée d'eau et d'évacuation soient facilement accessibles.

Pour un fonctionnement adéquat du lave-vaisselle et un aspect esthétique plus agréable, vérifiez que l'encadrement est d'équerre et qu'il a les dimensions données ci-dessous.



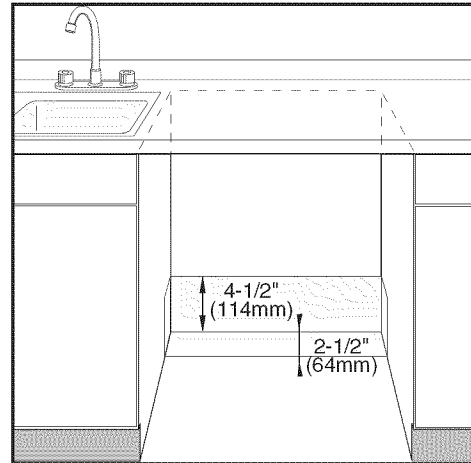
Si le lave-vaisselle doit être installé dans un coin, s'assurer qu'il y a un dégagement suffisant pour ouvrir la porte.



AVERTISSEMENT

Éviter les risques de décharge électrique et d'incendie. Les câbles électriques et les conduites d'eau ne doivent pas entrer en contact les uns avec les autres.

Après avoir trouvé l'emplacement adéquat pour installer votre nouveau lave-vaisselle, vous devez prévoir les ouvertures nécessaires pour permettre le passage des canalisations d'eau, d'évacuation et électriques. Pour éviter toute interférence lors de l'insertion du lave-vaisselle dans l'armoire, disposer les ouvertures en fonction des dimensions figurant ci-dessous.

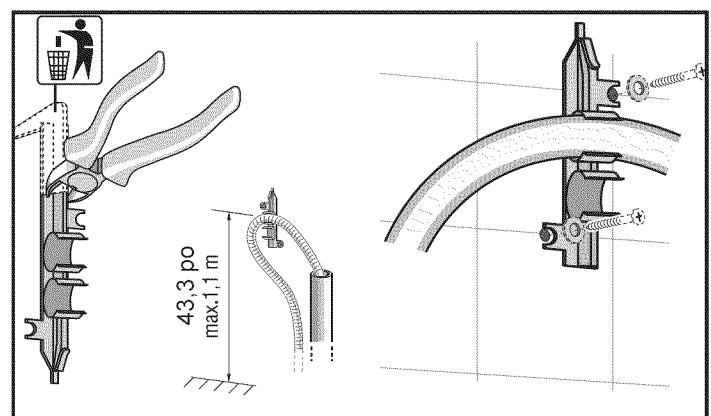


OUVERTURES REQUISES :

- 4¹/₄ po x 2 po (10,8 x 5,2 cm) - Pour faire passer la boîte de jonction électrique comprise par une armoire adjacente
- 4 po x 2 po (10 x 5 cm) - Pour faire passer la conduite d'eau dans la direction de l'alimentation
- 1¹/₄ po (3,2 cm) de diamètre - Pour faire passer le tuyau de vidange du lave-vaisselle vers le raccordement d'évacuation.

REMARQUE : Si l'alimentation électrique d'arrivée, l'alimentation en eau et les raccordements d'évacuation se trouvent tous dans la même armoire, une ouverture de 4¹/₄ po x 2 po (10,8 x 5,2 cm) est suffisante pour recevoir les trois.

Avant d'introduire le lave-vaisselle dans l'armoire, retirer le collier de durite à l'arrière du lave-vaisselle comme indiqué ci-dessous et le jeter.



SPÉCIFICATIONS TECHNIQUES



AVERTISSEMENT

Éviter les risques de décharge électrique. Ne pas faire d'intervention sur un circuit sous tension. Vous risquez autrement des blessures graves, voire la mort. Seuls les électriciens qualifiés doivent effectuer des travaux sur l'installation électrique. Ne pas tenter d'intervenir sur le circuit électrique du lave-vaisselle à moins d'être certain que celui-ci est hors tension.

Alimentation électrique

Le client a la responsabilité de vérifier que l'installation électrique du lave-vaisselle est conforme à tous les codes et ordonnances électriques nationaux et locaux. Le lave-vaisselle a été conçu pour fonctionner avec une alimentation électrique en courant alternatif de 120 volts, 60 Hz, connectée à un circuit électrique correctement mis à la terre, conçu pour les lave-vaisselle, avec protection par fusible ou disjoncteur d'une puissance de 15 ampères. Les conducteurs d'alimentation électrique doivent être en fil de cuivre de calibre 14 AWG minimum à une température nominale de 75°C (167°F) ou plus.

Instructions de mise à la terre

Le lave-vaisselle doit être correctement mis à la terre avant toute utilisation. Cet appareil doit être raccordé à un système de câblage en métal permanent mis à la terre ou un conducteur de mise à la terre du matériel doit être utilisé avec les conducteurs du circuit et raccordé à la borne de mise à la terre de l'appareil ou au fil conducteur du lave-vaisselle. S'assurer que le lave-vaisselle est relié à une masse adéquate conformément à tous les codes locaux, et en l'absence de code local, au CODE NATIONAL D'ÉLECTRICITÉ aux États-Unis ou au CODE D'ÉLECTRICITÉ DU CANADA, C22.1, dernière édition au Canada, ainsi qu'aux codes provinciaux, d'état ou locaux qui s'appliquent.

Caractéristiques électriques du lave-vaisselle

Volts	Hertz	Ampères	Watts
120	60	12	1,450 (max)

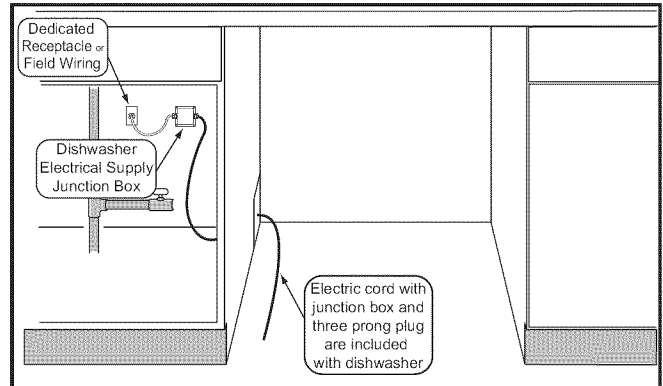
Raccordement électrique

La boîte de jonction de l'alimentation électrique du lave-vaisselle et la prise dédiée doivent être installées dans une armoire accessible adjacente au lave-vaisselle (ne pas monter la boîte de jonction ni la prise derrière l'appareil). Vous aurez besoin d'une ouverture de 4 1/4 po x 2 po (10,8 x 5,1 cm) pratiquée dans l'armoire pour pouvoir y passer la boîte de jonction. Si l'ouverture est percée dans du bois, poncer les arêtes du trou. Si l'ouverture est percée dans du métal, utiliser la bague protectrice comprise ou toute autre méthode approuvée pour protéger le câblage de tout dommage.

Utiliser les quatre vis comprises (ou le dispositif de fixation approprié) se trouvant dans le sac contenant les pièces pour fixer la boîte de jonction en toute sécurité afin qu'elle soit facilement accessible. L'alimentation électrique peut être branchée de deux façons :

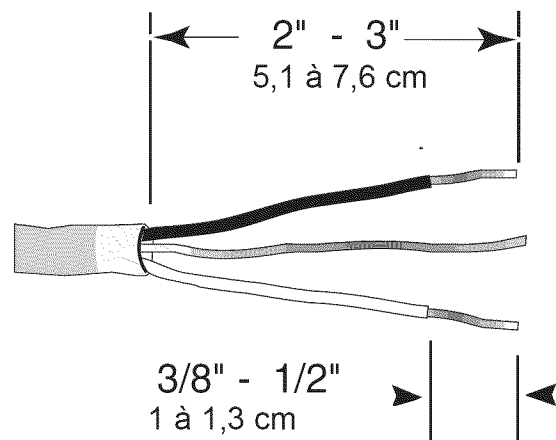
Méthode A - Fiche à trois broches et prise

Utiliser la fiche à trois broches et la boîte de jonction pour brancher l'alimentation sur une prise résidentielle dédiée. S'assurer que la prise résidentielle répond aux spécifications relative à l'alimentation électrique ainsi qu'aux codes nationaux ou locaux.



Méthode B - Pour brancher l'alimentation électrique au câblage sur site de manière permanente :

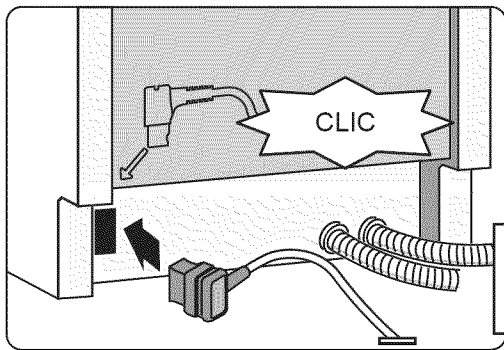
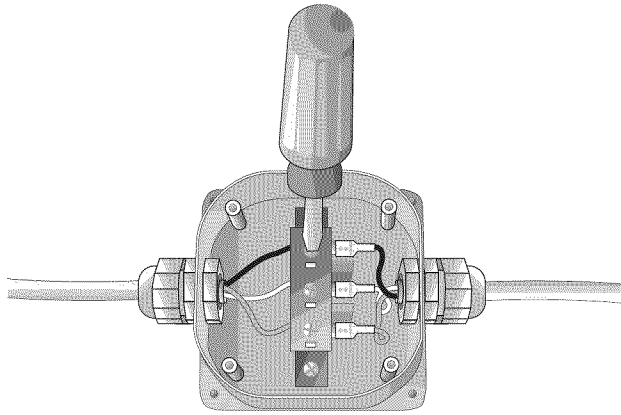
- 1 Enlever le couvercle de la boîte de jonction d'alimentation électrique du lave-vaisselle et la brancher au cordon d'alimentation électrique de l'installation résidentielle.
- 2 Enlever 2 à 3 po (5,1 à 7,6 cm) de la gaine extérieure du câble d'alimentation résidentiel ou in-situ comme illustré ci-dessous. Enlever 3/8 à 1/2 po (1 à 1,3 cm) de l'isolant de chaque fil.



AVERTISSEMENT

Éviter les risques d'incendie. Vérifier que l'installation électrique est correctement réalisée. Seuls les électriciens qualifiés doivent effectuer des travaux sur l'installation électrique.

- 3 Introduire le fil de cuivre dénudé ou vert (mise à la terre) sur le conducteur de terre « G » du bloc de bornes et visser solidement la vis du bornier.
- 4 Introduire le fil blanc (neutre) sur la connexion en « N » du bornier et visser solidement la vis du bornier.
- 5 Introduire le fil noir (chargé) sur la connexion en « L » du bornier et visser solidement la vis du bornier.
- 6 Vérifier que tous les branchements électriques sont bien serrés et fixer le couvercle de la boîte de jonction au moyen des 4 vis.



MISE EN GARDE

Les températures nécessaires pour souder et exsuder peuvent endommager le lave-vaisselle. Si la tuyauterie a besoin d'une soudure ou d'une exsudation, maintenir la source de chaleur à 6 pouces (152,4 mm) minimum de distance du lave-vaisselle.

RACCORDEMENTS D'ARRIVÉE D'EAU

Alimentation en eau chaude

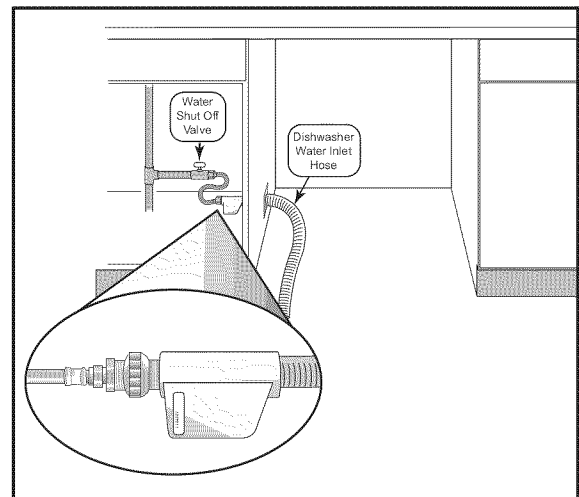
Le chauffe-eau doit être réglé de façon à ce que l'eau qui alimente le lave-vaisselle soit chauffé à une température approximative de 120° F (49° C). Si la température de l'eau est trop élevée, elle diminue l'efficacité du détergent. Si la température de l'eau est trop basse, la durée de lavage sera plus longue. La pression de l'alimentation en eau chaude doit être comprise entre 15 et 145 psi (1 à 10 bars).

REMARQUES IMPORTANTES :

- En cas d'utilisation d'un joint de soudure au lieu d'un raccord à compression, s'assurer que toutes les soudures sont faites avant de brancher la conduite d'eau sur le lave-vaisselle.
- S'assurer que la conduite d'eau n'est ni pliée ni tordue afin d'éviter toute obstruction de l'écoulement de l'eau.
- Toujours utiliser les joints appropriés pour effectuer les raccordements sanitaires.
- Avant de brancher la conduite d'eau sur le lave-vaisselle, faire couler l'eau de la conduite d'arrivée pendant environ 5 minutes pour éliminer les corps étrangers.
- Ouvrir l'alimentation en eau et vérifier s'il y a des fuites une fois les raccordements terminés.

Raccordement de l'alimentation en eau chaude

Vous trouverez deux tuyaux en plastique ondulé qui sortent de l'arrière du lave-vaisselle. Le plus gros tuyau, doté d'un raccord en laiton à l'extrémité, est le tuyau d'eau qui alimente le lave-vaisselle (l'autre est le tuyau de vidange du lave-vaisselle). Vous aurez besoin d'une ouverture de 3 po x 1³/₄ po (7,6 x 4,5 cm) pratiquée dans l'armoire pour y faire passer la conduite d'eau du lave-vaisselle en direction de la soupape d'arrêt.



Pour raccorder l'alimentation en eau chaude :

- 1 Assembler le raccord d'adaptateur d'alimentation en eau, qui se trouve dans le sac contenant les pièces, sur le tuyau d'alimentation du lave-vaisselle. Ce raccord ne nécessite pas l'emploi d'un ruban d'étanchéité en Téflon.
- 2 Faire passer la conduite d'eau du lave-vaisselle dotée de l'adaptateur à travers l'ouverture en direction de la soupape d'arrêt d'eau. S'assurer que le tuyau situé derrière le lave-vaisselle n'est ni plié ni tordu.
- 3 Brancher le conduit d'eau du lave-vaisselle doté de l'adaptateur sur la soupape d'arrêt d'eau. Vous devez utiliser un conduit d'eau pour lave-vaisselle homologué avec les raccords adéquats pour effectuer ce branchement. Toujours utiliser les joints appropriés pour effectuer les raccordements sanitaires.
Note : L'extrémité du tuyau d'alimentation du lave-vaisselle est lourde et doit être supportée. Il est préférable de déposer l'extrémité du tuyau sur le plancher de l'armoire.
- 4 Une fois tous les raccordements effectués, ouvrir l'alimentation en eau chaude et vérifier s'il y a des fuites.



AVERTISSEMENT

Éviter les risques de brûlures

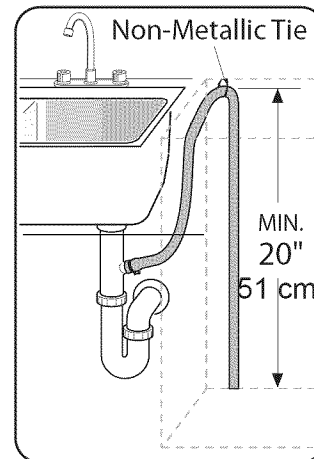
Ne pas tenter de travailler sur une conduite d'eau chaude chargée. De graves blessures pourraient survenir. Seuls les plombiers qualifiés doivent effectuer des travaux sur la tuyauterie. Ne tentez pas d'intervenir sur les conduites d'eau chaude du lave-vaisselle tant que vous n'êtes pas certain que l'alimentation en eau chaude est coupée.

RACCORDEMENTS D'ÉVACUATION

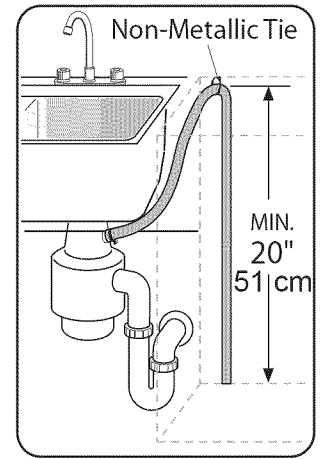
Le tuyau de vidange du lave-vaisselle peut être branché sur la tuyauterie d'évacuation résidentielle ou in-situ de l'une des quatre manières suivantes. Vous aurez besoin d'une ouverture de $1\frac{1}{4}$ po (3,2 cm) de diamètre pratiquée dans l'armoire pour y faire passer le tuyau de vidange.

REMARQUES IMPORTANTES :

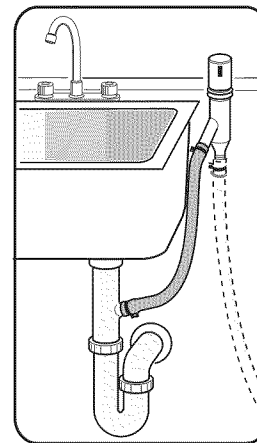
- Si la réglementation locale exige un dispositif de coupure anti-retour, en installer un conformément aux instructions du fabricant.
- Si le tuyau de vidange du lave-vaisselle doit être raccordé au raccordement de vidange de lave-vaisselle d'un broyeur à déchets, retirer le bouchon du raccordement de vidange de lave-vaisselle du broyeur.
- Le tuyau de vidange du lave-vaisselle doit être solidement fixé sur une partie de sa longueur à 20 pouces (50,8 cm) au-dessus du plancher de l'armoire.
- La longueur du tuyau de vidange peut être augmentée si nécessaire. La longueur maximale du tuyau de vidange, y compris le flexible relié au dispositif de coupure anti-retour, est de 150 pouces (381 cm).



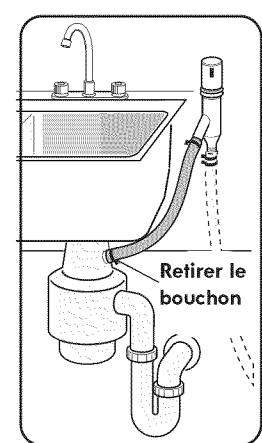
Directement sur le raccordement de vidange de lave-vaisselle de l'évier.



Directement sur le raccord de vidange de lave-vaisselle d'un broyeur à déchets.



Sur le raccordement de vidange de lave-vaisselle de l'évier via un dispositif de coupure anti-retour.

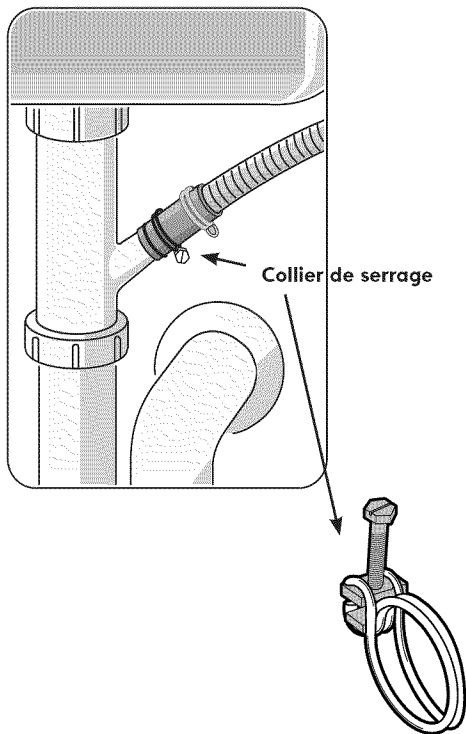
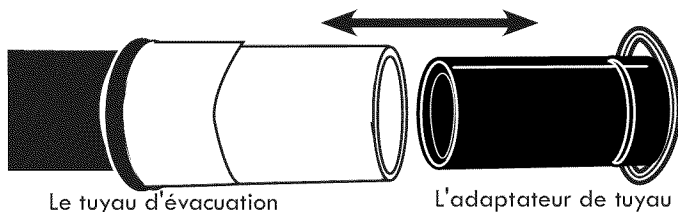


Sur le raccord d'évacuation de lave-vaisselle d'un broyeur via un dispositif de coupure anti-retour.

ADAPTATEUR DE TUYAU DE VIDANGE EN CAOUTCHOUC

Pour un port large, utiliser le tuyau d'évacuation tel qu'il est. Pour un port plus petit, introduire l'adaptateur de tuyau de vidange en caoutchouc sur l'extrémité du tuyau d'évacuation.

1. Utiliser la bride à ressort de l'adaptateur de tuyau de vidange en caoutchouc qui se trouve dans le nécessaire d'installation du lave-vaisselle (**ne pas utiliser des pièces de substitution**).
2. Introduire le tuyau de vidange du lave-vaisselle dans l'extrémité **du tuyau d'évacuation**. Veiller à bien enfoncer le tuyau de vidange.
3. Utiliser la bride fournie pour fixer l'adaptateur de tuyau de vidange en caoutchouc à la tuyauterie résidentielle.



⚠ AVERTISSEMENT

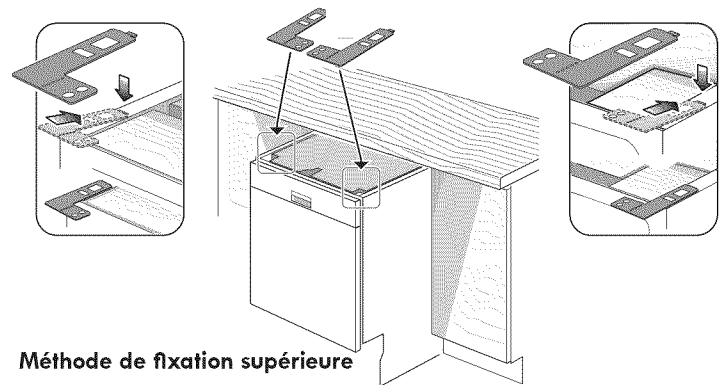
Ne pas utiliser le lave-vaisselle tant que l'installation n'est pas complètement terminée. Pour ouvrir la porte d'un lave-vaisselle dont l'installation n'est pas terminée, agir avec prudence et en soutenant la partie arrière de l'appareil. Le non respect de cet avertissement risque d'entraîner de graves blessures.

PATTES DE FIXATION

Avant d'installer les pattes de fixation pour comptoir, déterminer quelle méthode sécuritaire doit être utilisée pour installer le lave-vaisselle dans son encastrement. Une fois les pattes de fixation installées sur le lave-vaisselle, il sera difficile de les retirer sans les abîmer ainsi que le lave-vaisselle.

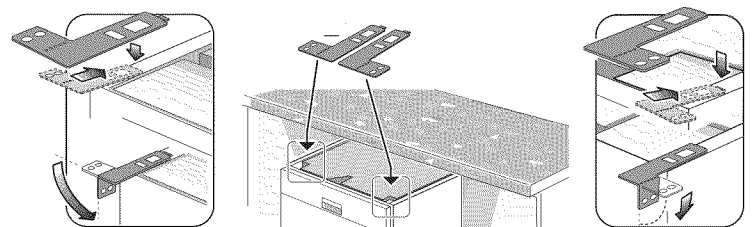
Le lave-vaisselle peut être installé dans l'encastrement de façon sécuritaire de deux façons :

1. **La méthode de fixation supérieure** est utilisée pour les plans de travail en bois ou autres matériaux faciles à percer. Orienter les pattes de fixation comme illustré ci-dessous et les placer au-dessus des orifices aux coins avant du lave-vaisselle. Enfoncer les pattes de fixation vers le bas avec fermeté pour introduire les languettes dans les orifices.



2. **La méthode de fixation latérale** est utilisée pour les comptoirs en marbre, granite ou autres matériaux très durs difficiles à percer. Plier les pattes de fixation le long des petits trous et dans la même direction que les deux petites languettes. Orienter les pattes de fixation comme illustré ci-dessous et placer les deux petits languettes des pattes de fixation sur les deux orifices aux coins avant du lave-vaisselle. Enfoncer les pattes de fixation vers le bas avec fermeté pour introduire les languettes dans les orifices.

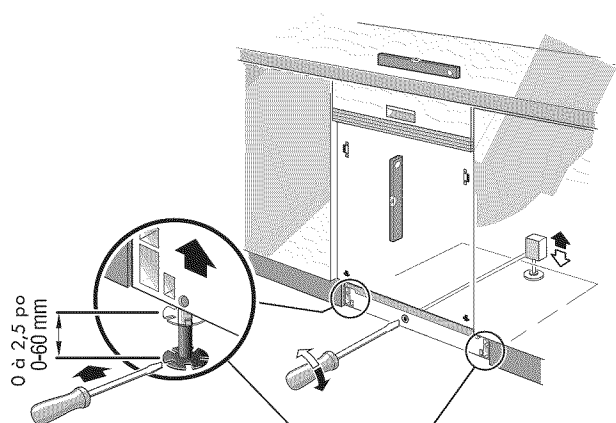
Méthode de fixation latérale



MISE À NIVEAU DU LAVE-VAISSELLE

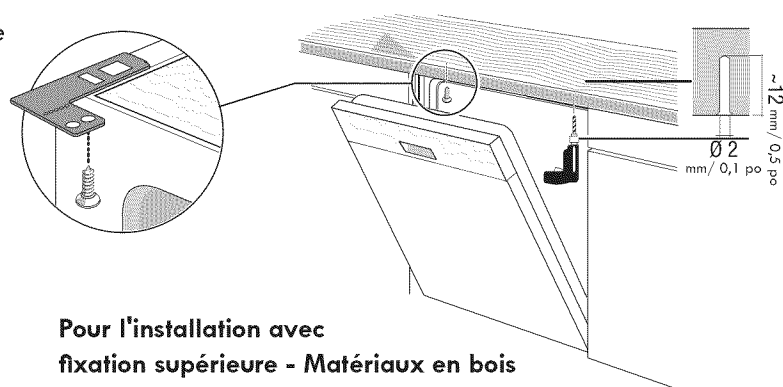
L'appareil est maintenant prêt à être encastré dans l'ouverture de l'armoire. Protéger la surface du sol pour éviter les rayures et faire glisser le lave-vaisselle à l'intérieur de l'armoire avec prudence. S'assurer que les tuyaux et cordons situés à l'arrière de l'appareil ne sont ni entremêlés ni pliés lors de l'encastrement de l'appareil. Veiller à mettre l'appareil en place avant de relever les vérins de calage.

Mettez le lave-vaisselle de niveau à l'horizontale en tournant les vérins dans le sens des aiguilles d'une montre pour relever l'avant de l'appareil ou en sens inverse des aiguilles d'une montre pour l'abaisser. Mettre le lave-vaisselle de niveau à la verticale en tournant la vis centrale pour soulever ou abaisser l'arrière de l'appareil.

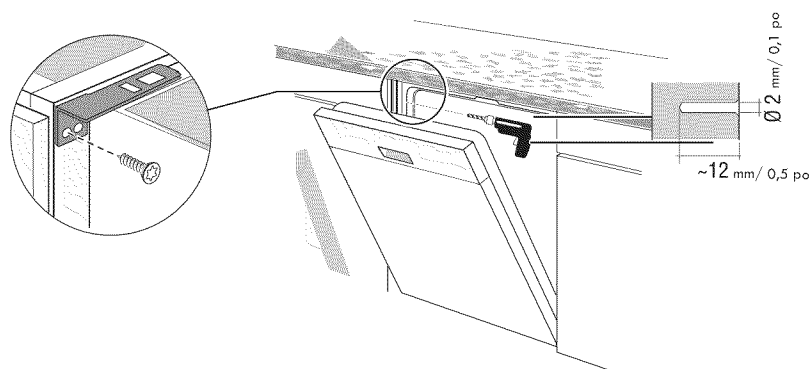


POSE SÉCURITAIRE DU LAVE-VAISSELLE

- 1 Insérer les vis de montage dans les trous des pattes de fixation comme illustré pour l'installation avec fixation supérieure ou latérale.
- 2 Une fois l'appareil mis en place, le mettre à niveau et vérifier s'il est installé de façon sécuritaire, verrouiller les deux vérins de calage en vissant les vis de blocage de vérin intégrés dans chaque bloc de fixation à l'avant des vérins.
- 3 Serrer les vis jusqu'à ce qu'elles affleurent la surface des blocs de fixation.



Pour l'installation avec fixation supérieure - Matériaux en bois



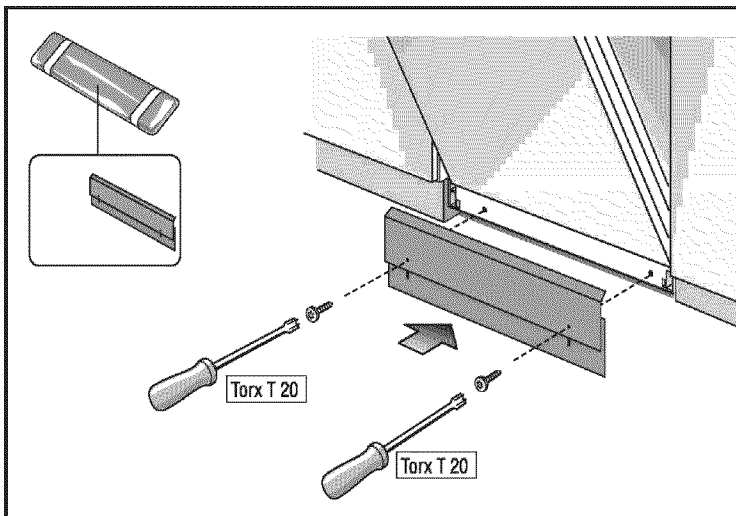
Pour l'installation avec fixation latérale - Comptoir en pierre

FIXATION DU PANNEAU COUP-DE-PIED

Votre lave-vaisselle est livré avec un panneau coup-de-pied composé de trois sections permettant de régler la hauteur.

- 1 Positionner tout d'abord le panneau coup-de-pied arrière à fentes sur le lave-vaisselle. Le laisser reposer sur le sol.
- 2 Positionner le panneau coup-de-pied correspondant sur le dessus du panneau coup-de-pied arrière en laissant le rebord incliné reposer contre le rebord correspondant du lave-vaisselle.
- 3 Insérer les deux vis noires (comprises) dans les trous prévus sur le panneau coup-de-pied et les visser. Utiliser les vis fournies afin d'éviter d'endommager le lave-vaisselle.

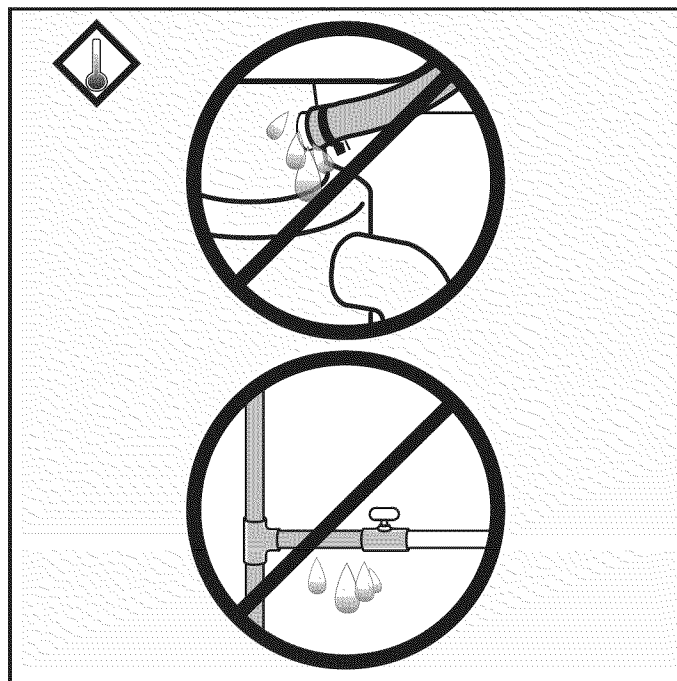
REMARQUE : une fois la position correcte d'une patte de fixation établie, retirer la patte et plier la languette en métal. Ceci permet de veiller à ce que le panneau coup-de-pied ne glisse pas plus loin que nécessaire.



CONTRÔLE DES FUITES

Connectez la conduite d'eau au robinet de sectionnement de l'eau chaude d'arrivée.

- Faites couler l'eau et vérifiez la présence de fuites.
- Branchez l'alimentation électrique à partir de la boîte à fusibles.
- Démarrez le lave-vaisselle et écoutez l'eau et la pompe de distribution. Appuyez sur Cancel/Reset (Annuler/Réinitialiser) pour vidanger et vérifier la présence de fuites.



Índice

Seguridad de la lavadora de platos.....	2-3	Conexión del drenaje	8
Herramientas necesarias	4	Adaptador de hule para la manguera de drenaje	9
Materiales suministrados	4	Soportes de montaje.....	9
Instrucciones previas a la instalación	5	Cómo nivelar la lavadora de platos.....	10
Requisitos eléctricos	6	Cómo colocar el panel de pie.....	11
Conexiones de agua de entrada	7		



INSTRUCCIONES DE SEGURIDAD IMPORTANTES

Para evitar posibles lesiones o daños materiales, **RESPETE TODAS LAS ADVERTENCIAS Y PRECAUCIONES**. Estas instrucciones están diseñadas para ser usadas únicamente por instaladores calificados. Además de estas instrucciones, la lavadora de platos debe instalarse de conformidad con todos los códigos y las ordenanzas de electricidad y de plomería (nacionales y locales).

Asegúrese de que la instalación eléctrica se haya realizado correctamente. No debe haber conexiones eléctricas sueltas. Asegúrese de que todas las conexiones eléctricas se hayan realizado correctamente.

El cliente tiene la responsabilidad de asegurarse de que la instalación eléctrica de la lavadora de platos cumpla con todos los códigos y las ordenanzas de electricidad nacionales y locales. La lavadora de platos está diseñada para un suministro eléctrico de 120 V, 60 Hz, CA, conectado a un circuito eléctrico con una conexión a tierra adecuada, exclusivo para la lavadora de platos, con un fusible o disyuntor con capacidad nominal para 15 A. Los conductores del suministro eléctrico deben ser de alambre, únicamente de cobre, con AWG n.º 14 como mínimo, con capacidad nominal para uso en temperaturas de 75 °C (167 °F) o más altas.

Este electrodoméstico debe conectarse a un sistema de cableado metálico y permanente, con conexión a tierra, o debe instalarse un conductor de conexión a tierra para equipos junto con los conductores de circuitos y conectarlo al terminal de conexión a tierra para equipos o al hilo de conexión a tierra del electrodoméstico. No use cables de extensión.

ADVERTENCIA



Cómo evitar peligros generales

Use la lavadora de platos únicamente cuando esté completamente instalada. Al abrir la puerta de una lavadora de platos que no está instalada, abra la puerta con cuidado mientras sostiene la parte posterior de la unidad. No seguir esta advertencia puede provocar que la lavadora de platos se caiga, lo que ocasiona lesiones graves.

En algunas condiciones, se puede formar gas hidrógeno en un sistema de agua caliente que no se ha utilizado durante semanas. El gas hidrógeno es explosivo. Antes de llenar una lavadora de platos con un sistema que ha estado apagado durante semanas, deje correr agua de un grifo cercano en un área bien ventilada hasta que no haya sonido ni evidencia de gas.

Las temperaturas requeridas para soldar y fundir dañan la base y la válvula de entrada de agua de la lavadora de platos. Si se van a soldar o fundir las tuberías para plomería, mantenga la fuente de calor, al menos, a 6 pulgadas (152.4 mm) de distancia de la base y de la válvula de entrada de agua de la lavadora de platos.

Retirar cualquier cubierta o jalar la lavadora de platos del gabinete puede hacer que queden expuestas las conexiones de agua caliente, la alimentación eléctrica, y puntas o bordes filosos. Manipule la unidad con cuidado. Use siempre guantes y anteojos de seguridad.



Cómo evitar peligros en las tuberías y peligros de escaldadura

No realice ningún trabajo en una tubería de agua caliente que tenga carga. Podría ocasionar lesiones graves. Únicamente los plomeros calificados pueden realizar trabajos de plomería. No intente realizar ningún tipo de trabajo en las tuberías de suministro de agua caliente de la lavadora de platos hasta que esté seguro de que el suministro de agua caliente esté cerrado.

No apriete en exceso el codo de 90°. Hacerlo puede dañar la válvula de entrada de agua y provocar una pérdida de agua.

Las temperaturas requeridas para soldar y fundir dañan la válvula de entrada de agua de la lavadora de platos. Si se van a soldar o fundir las tuberías para plomería, mantenga la fuente de calor, al menos, a 6 pulgadas (152.4 mm) de distancia de la válvula de entrada de agua de la lavadora de platos.

Consulte los códigos de plomería locales para conocer los procedimientos y los accesorios de plomería aprobados. Todos los trabajos de plomería deben realizarse según los códigos nacionales y locales.

Estas instrucciones describen un método de instalación para mangueras trenzadas de acero inoxidable o tuberías de suministro de agua caliente de polietileno reticulado (Cross-linked polyethylene, PEX). Si usa tubos de cobre o de otro material para el suministro de agua, haga que un plomero autorizado realice la instalación correspondiente.



Cómo evitar peligros de descarga eléctrica/incendio

No permita que las líneas de electricidad ni las tuberías de suministro de agua entren en contacto. Se suministran canales separados debajo de la lavadora de platos.

No trabaje en un circuito energizado. Hacerlo podría ocasionar lesiones graves o la muerte. Únicamente los electricistas calificados pueden realizar trabajos de electricidad. No intente realizar ningún trabajo en el circuito de suministro eléctrico de la lavadora de platos hasta que esté seguro de que el circuito se encuentre desenergizado.



INSTRUCCIONES DE SEGURIDAD IMPORTANTES: lea y **GUARDE** esta información

Lea estas instrucciones de instalación completamente y sígala con cuidado. Le ahorrarán tiempo y esfuerzo, y le ayudarán a asegurarse de que el rendimiento de la lavadora de platos sea óptimo y seguro.

Si la lavadora de platos se instala en un lugar donde suele haber temperaturas bajo cero (p. ej., en una casa de vacaciones), debe drenar toda el agua del interior de la lavadora de platos. Las rupturas del sistema de agua que se producen por el congelamiento **NO ESTÁN CUBIERTAS POR LA GARANTÍA.**

IMPORTANTE

- La manguera de drenaje de la lavadora de platos debe instalarse manteniendo una parte de esta, al menos, a una distancia de 20" (508 mm) del piso del gabinete; de lo contrario, es posible que la lavadora de platos no drene correctamente.
- Esta lavadora de platos ha sido diseñada para uso residencial en interiores únicamente y no debe usarse en establecimientos comerciales de servicios de comidas.

- Esta lavadora de platos ha sido diseñada para estar cercada, por la parte superior y por ambos lados, por el conjunto de gabinetes.
- **NUEVA INSTALACIÓN:** si la lavadora de platos es una instalación nueva, la mayoría del trabajo debe realizarse antes de que la lavadora de platos sea colocada en su lugar.
- **REEMPLAZO:** si la lavadora de platos reemplaza a otra lavadora de platos, verifique las conexiones de lavadoras de platos existentes para ver la compatibilidad con la nueva lavadora de platos y reemplace las piezas según sea necesario.
- Este electrodoméstico cumple con la norma CAN/CSA-C22.2 n.º 167/UL 749. Es responsabilidad del propietario y del instalador determinar si se aplican otros requisitos y normas en instalaciones específicas.
- Esta unidad no está destinada para uso en exteriores.

OTRA INFORMACIÓN IMPORTANTE

Antes de instalar los soportes de montaje en "L" para la encimera suministrados con la unidad (solo en algunos modelos), decida qué método se usará para asegurar la lavadora de platos en su abertura. Una vez que estos soportes de montaje están instalados en la lavadora de platos, es difícil retirarlos, y esto daña los soportes de montaje y la lavadora de platos.

Inspeccione la lavadora de platos

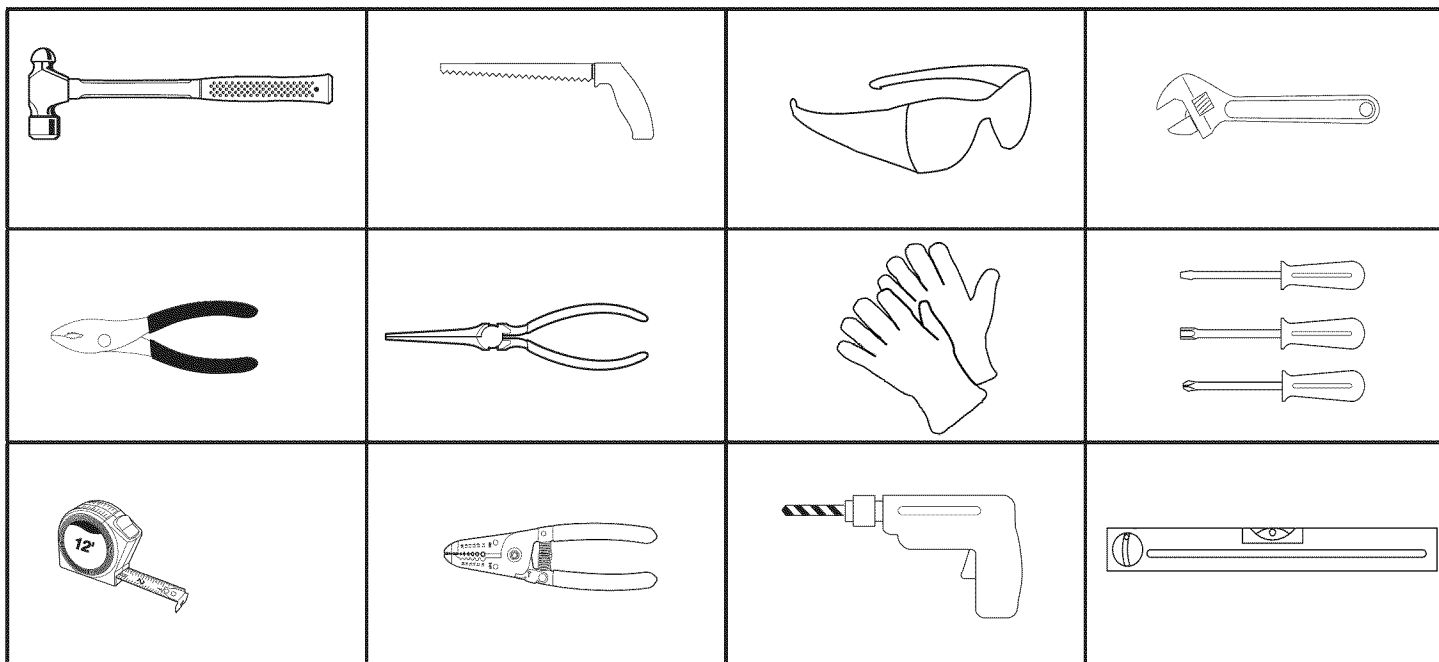
Después de desembalar la lavadora de platos y antes de la instalación, inspeccione exhaustivamente la unidad para detectar posibles daños estéticos u ocasionados por el transporte. Reporte de inmediato cualquier daño. Los defectos estéticos deben reportarse en un período de 30 días después de la instalación.

NOTA: No deseche ninguna bolsa ni artículo suministrado con el paquete original hasta que se haya completado toda la instalación.

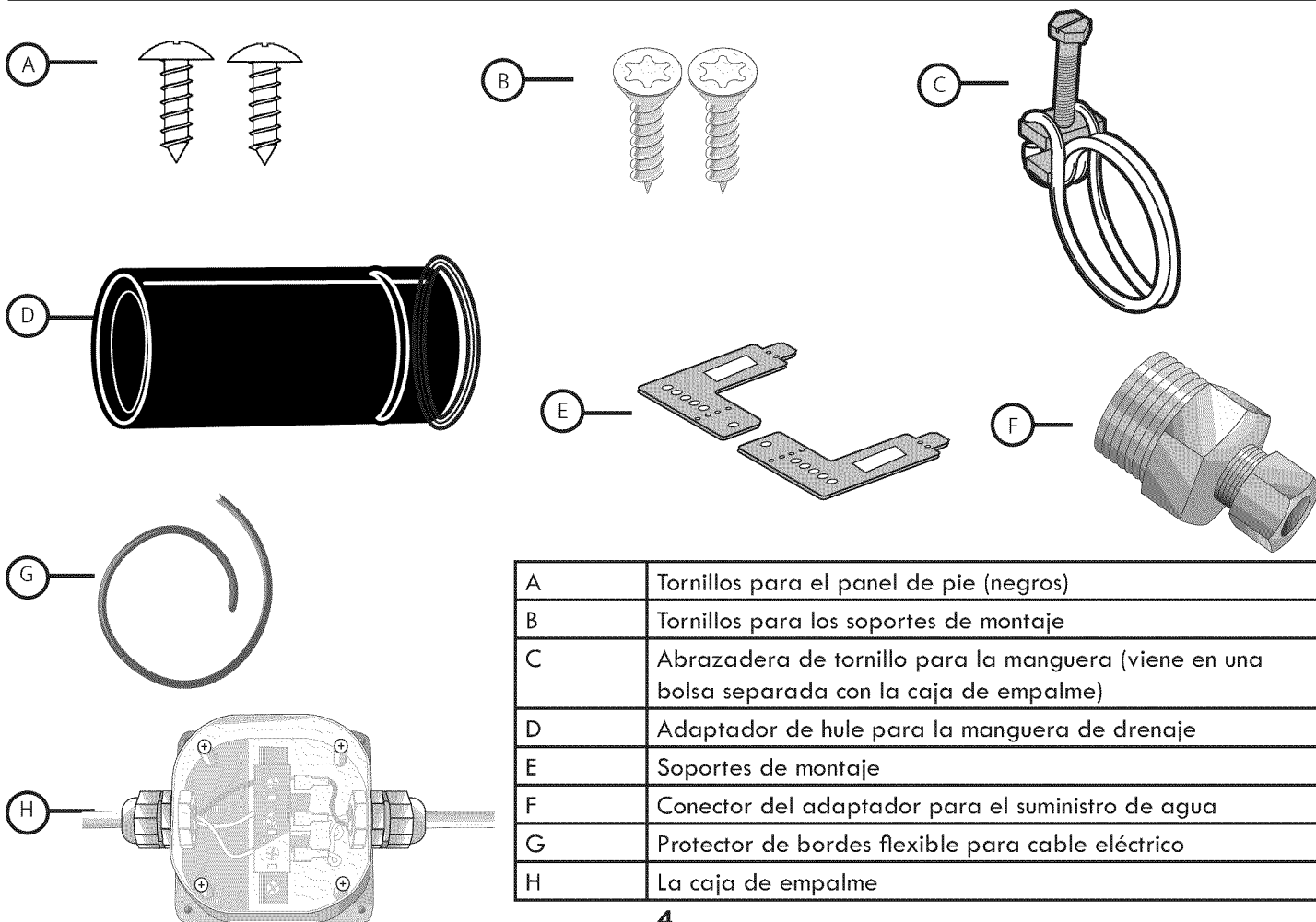
MATERIALES NECESARIOS

	Cable de suministro eléctrico: AWG n.º 14 como mínimo, 2 conductores con 1 conexión a tierra, conductores de cobre aislados, con capacidad nominal para 75 °C (167 °F) o más.		Válvula de cierre y conectores adecuados para la tubería de suministro de agua caliente (tubos de cobre/conector de compresión o manguera trenzada).
	Tubería de suministro de agua caliente: tubos de cobre con diámetro externo de, como mínimo, 3/8" (0.95 cm); tubería de suministro de la lavadora de platos, de PEX o de metal trenzado.		Se requiere un conector de conductos o un protector para cable incluidos en el listado de UL si conecta el cableado del campo directamente al bloque de terminales.
	Válvula de cierre y conexiones adecuadas para la tubería de suministro de agua caliente (tubos de cobre/conexión de compresión o manguera trenzada).		Tornillos para la caja de empalme

HERRAMIENTAS NECESARIAS



MATERIALES SUMINISTRADOS



A	Tornillos para el panel de pie (negros)
B	Tornillos para los soportes de montaje
C	Abrazadera de tornillo para la manguera (viene en una bolsa separada con la caja de empalme)
D	Adaptador de hule para la manguera de drenaje
E	Soportes de montaje
F	Conector del adaptador para el suministro de agua
G	Protector de bordes flexible para cable eléctrico
H	La caja de empalme

INSTRUCCIONES PREVIAS A LA INSTALACIÓN



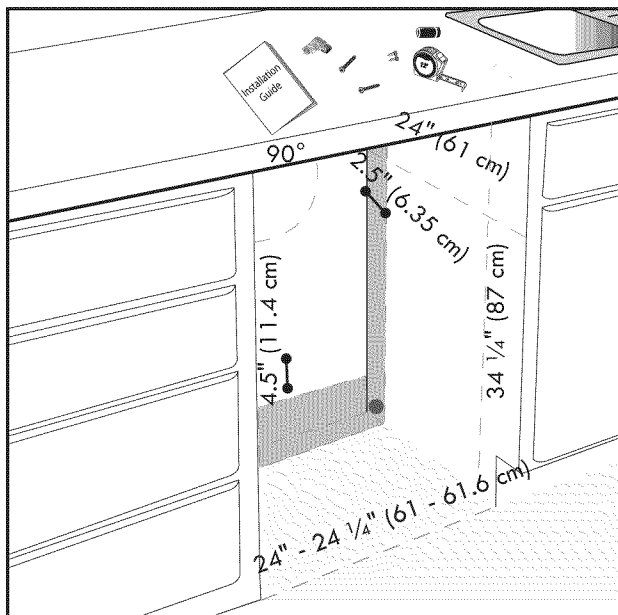
ADVERTENCIA

¡Evite el peligro de escaldadura o de descarga eléctrica! Asegúrese de que el suministro de agua y el suministro eléctrico estén cerrados antes de realizar la instalación o el servicio técnico.

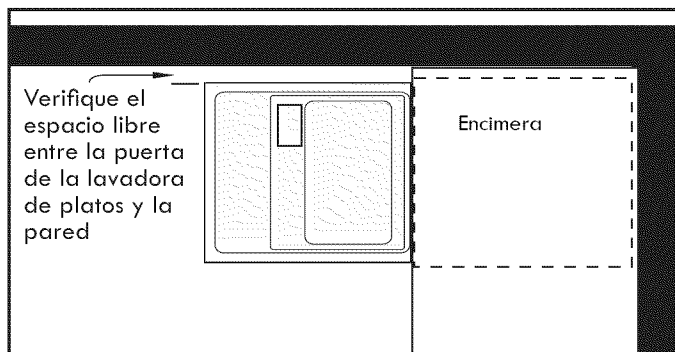
NOTA: Esta lavadora de platos ha sido diseñada para estar cercada, por la parte superior y por ambos lados, por el conjunto de gabinetes de una cocina residencial estándar.

Seleccione una ubicación que esté lo más cerca posible del fregadero para tener un fácil acceso a las tuberías de suministro de agua y de drenaje.

Para lograr el funcionamiento y el aspecto correctos de la lavadora de platos, asegúrese de que el recinto sea cuadrado y de que tenga las dimensiones que se muestran a continuación.



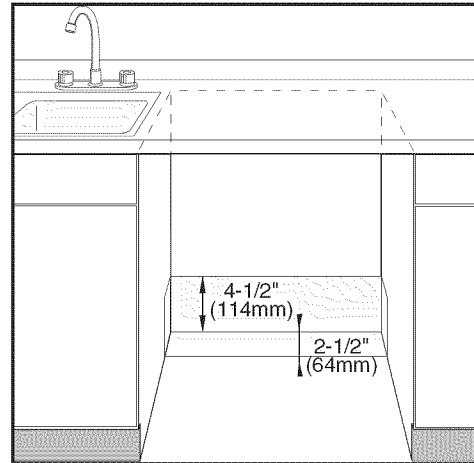
Si la lavadora de platos se instalará en una esquina, asegúrese de que haya un espacio libre suficiente para abrir la puerta.



ADVERTENCIA

Evite el peligro de descarga eléctrica/incendio. No permita que las líneas de electricidad ni las tuberías de suministro de agua entren en contacto.

Una vez que elija el lugar adecuado para su nueva lavadora de platos, necesitará hacer todas las aberturas necesarias para permitir el paso del agua, del drenaje y de la línea eléctrica. A fin de evitar la interferencia con la lavadora de platos al deslizarla dentro del gabinete, realice sus aberturas dentro de las dimensiones que se muestran a continuación.

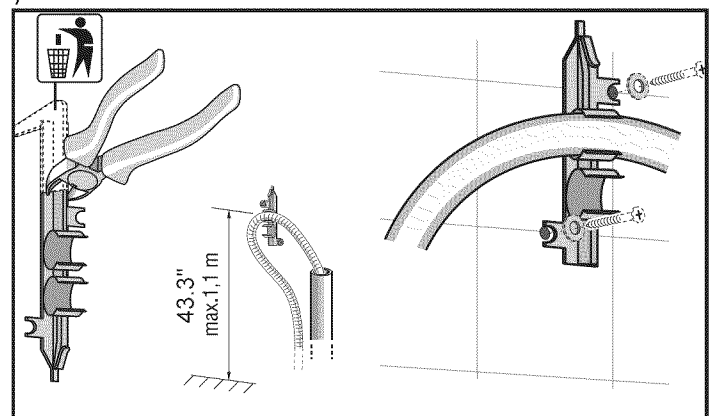


ABERTURAS REQUERIDAS:

- 4 1/4" x 2" (10.8 x 5.2 cm) - Para pasar la caja de empalme de suministro eléctrico incluida a través de un gabinete adyacente.
- 4" x 2" (10 x 5 cm) - Para pasar la línea de suministro de agua incluida hacia el suministro de agua.
- 1 1/4" (3.2 cm) de diámetro - Para pasar la manguera de drenaje de la lavadora de platos hacia la conexión del drenaje.

NOTA: Si todas las conexiones entrantes del suministro eléctrico, del suministro de agua y del drenaje están en el mismo gabinete, el orificio de 4 1/4" x 2" (10.8 x 5.2 cm) será lo suficientemente grande para que pasen las tres.

Antes de deslizar la lavadora de platos dentro del gabinete, retire el sujetador de la manguera que se encuentra en la parte trasera de la lavadora de platos, como se muestra a continuación y deséchelo.



Requisitos eléctricos



ADVERTENCIA

Evite el peligro de descarga eléctrica

No trabaje en un circuito energizado. Hacerlo podría ocasionar lesiones graves o la muerte. Únicamente los electricistas calificados pueden realizar trabajos de electricidad. No intente realizar ningún trabajo en el circuito de suministro eléctrico de la lavadora de platos hasta que esté seguro de que el circuito se encuentre desenergizado.

Suministro eléctrico

El cliente tiene la responsabilidad de asegurarse de que la instalación eléctrica de la lavadora de platos cumpla con todos los códigos y las ordenanzas de electricidad nacionales y locales. La lavadora de platos está diseñada para un suministro eléctrico de 120 V, 60 Hz, CA, conectado a un circuito eléctrico con una conexión a tierra adecuada, exclusivo para la lavadora de platos, con un fusible o disyuntor con capacidad nominal para 15 A. Los conductores del suministro eléctrico deben ser de alambre de cobre, con AWG n.º 14 como mínimo, con capacidad nominal para uso en temperaturas de 75 °C (167 °F) o más altas.

Instrucciones para la conexión a tierra

La lavadora de platos debe tener una conexión a tierra adecuada antes de operarla. Este electrodoméstico debe conectarse a un sistema de cableado metálico y permanente, con conexión a tierra, o se debe instalar un conductor de conexión a tierra para equipos junto con los conductores de circuitos y conectarlo al terminal de conexión a tierra para equipos o al hilo de conexión a tierra de la lavadora de platos. Asegúrese de que la lavadora de platos tenga una conexión a tierra adecuada, de conformidad con todos los códigos locales o, en el caso de que no haya un código local, con el CÓDIGO NACIONAL ELÉCTRICO (National Electrical Code) en los Estados Unidos o la última versión del CÓDIGO ELÉCTRICO CANADIENSE (Canadian Electrical Code) C22.1 en Canadá, así como con todos los códigos provinciales/estatales o municipales o locales.

Capacidad nominal eléctrica de la lavadora de platos

Volts	Hertz	Amperes	Watts
120	60	12	1,450 (max)

Conexión eléctrica

La caja de empalme del suministro eléctrico de la lavadora de platos y el receptáculo exclusivo deben estar montados en un gabinete accesible adyacente a la lavadora de platos (no monte la caja de empalme ni el receptáculo detrás de la lavadora de platos). Necesita una abertura de $4 \frac{1}{4}'' \times 2''$ (10.8 x 5.1 cm) a través del gabinete para pasar la caja de empalme. Si la abertura se realiza atravesando madera, lijela hasta que quede lisa. Si la abertura se realiza atravesando metal, use la arandela protectora incluida u otro método aprobado para proteger el cableado contra daños.



ADVERTENCIA

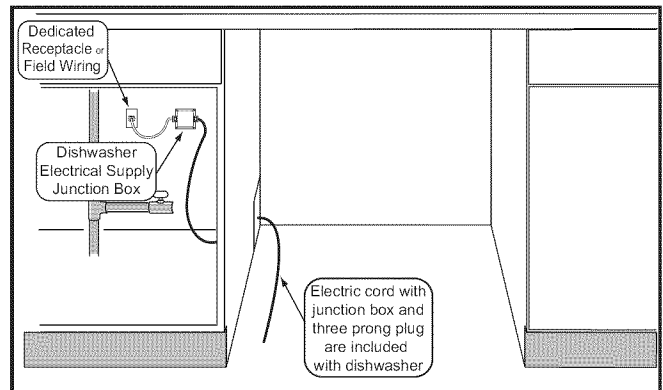
Evite el peligro de incendio

Asegúrese de que la instalación eléctrica se haya realizado correctamente. Únicamente los electricistas calificados pueden realizar trabajos de electricidad.

Use los cuatro tornillos incluidos (o sujetadores adecuados) en la bolsa de piezas para montar firmemente la caja de empalme, a fin de que se pueda tener acceso fácilmente. El suministro eléctrico puede conectarse de dos maneras:

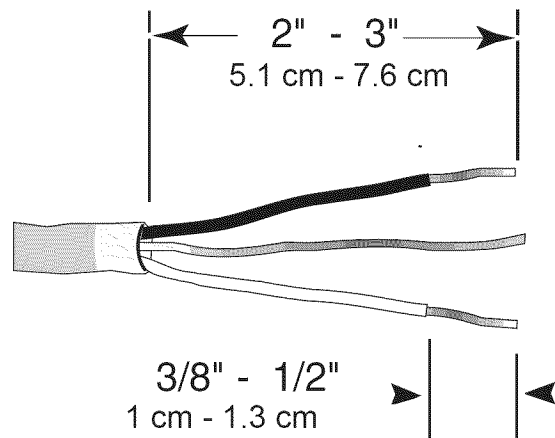
Método A: Enchufe de tres clavijas y receptáculo

Use el enchufe de tres clavijas y la caja de empalme incluidos para conectar el electrodoméstico a un receptáculo del hogar de uso exclusivo. Asegúrese de que el receptáculo del hogar cumpla con los requisitos de suministro eléctrico así como con los códigos nacionales y locales.



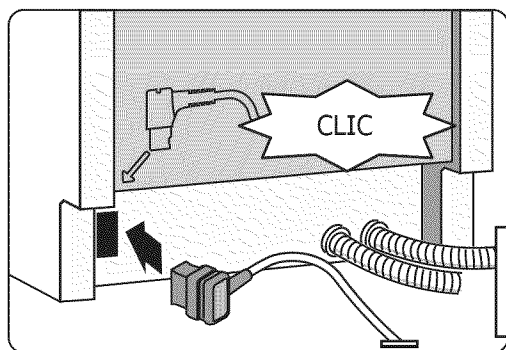
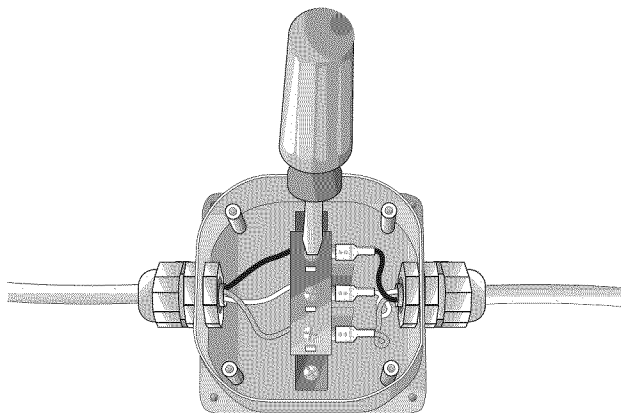
Método B: Para conectar de manera permanente al cableado del hogar o del campo:

1. Retire la cubierta de la caja de empalme del suministro eléctrico de la lavadora de platos y conéctela al cable de alimentación eléctrica de la instalación de la vivienda.
2. Retire entre 2" y 3" (5.1 - 7.6 cm) del revestimiento externo del cableado de suministro del hogar o del campo, como se muestra a continuación. Retire entre $\frac{3}{8}''$ y $\frac{1}{2}''$ (1 - 1.3 cm) del aislamiento de cada cable.



CONEXIONES DE AGUA DE ENTRADA

3. Introduzca el alambre desnudo de cobre o verde (de conexión a tierra) a la conexión a tierra "G" del bloque de terminales y apriete firmemente el tornillo del bloque de terminales.
4. Introduzca el cable blanco (neutral) en la conexión "N" del bloque de terminales y apriete firmemente el tornillo del bloque de terminales.
5. Introduzca el cable negro (vivo) en la conexión "L" del bloque de terminales y apriete firmemente el tornillo del bloque de terminales.
6. Verifique todas las conexiones eléctricas para asegurarse de que estén firmes y, luego, coloque la tapa de la caja de empalme con los 4 tornillos.



PRECAUCIÓN

Las temperaturas requeridas para soldar y fundir dañan la lavadora de platos. Si se van a soldar o fundir las tuberías para plomería, mantenga la fuente de calor, al menos, a 6 pulgadas (152.4 mm) de distancia de la lavadora de platos.

Suministro de agua caliente

El calentador de agua debe configurarse para suministrar a la lavadora de platos agua de aproximadamente 120 °F (49 °C). El agua demasiado caliente puede hacer que algunos detergentes pierdan efectividad. Las temperaturas más bajas de agua aumentarán los tiempos de funcionamiento. La presión del suministro de agua caliente debe de ser entre 15 y 145 psi (1 y 10 bar).

NOTAS IMPORTANTES:

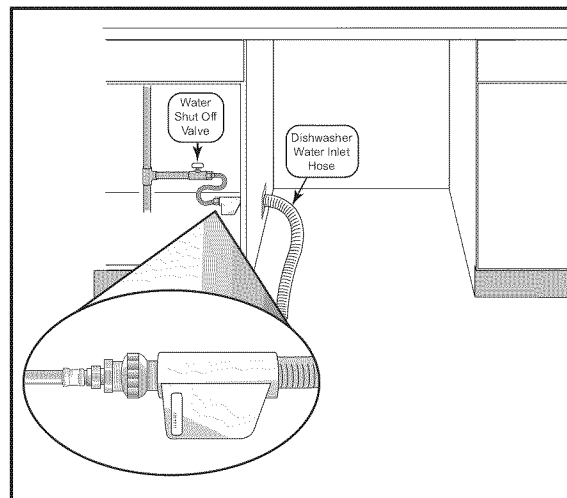
- Si se usa una junta con soldadura en lugar de un conector de compresión, asegúrese de hacer todas las conexiones con soldadura antes de conectar la línea de suministro de agua a la lavadora de platos.
- Asegúrese de que no haya codos cerrados ni pliegues en la línea de agua, que podrían restringir el flujo del agua.
- Use siempre el sello adecuado al realizar conexiones de plomería.
- Antes de conectar la línea de suministro de agua a la lavadora de platos, deje correr el agua en la línea entrante durante alrededor de 5 minutos para eliminar cualquier material externo.
- Abra el suministro de agua y verifique que no haya pérdidas una vez que estén hechas las conexiones.

Válvula de cierre del suministro de agua

Instale una válvula de cierre de fácil acceso (no suministrada) en la línea de suministro de agua caliente, como se muestra a continuación. Todas las conexiones con soldadura deben realizarse antes de que se conecte la línea de agua a la lavadora de platos.

Cómo conectar el suministro de agua caliente

Hay dos mangueras corrugadas de plástico que salen de la parte trasera de la lavadora de platos. La manguera más grande, que tiene un conector de latón en el extremo, es la manguera de suministro de agua a la lavadora de platos (la otra manguera es la manguera de drenaje de la lavadora de platos). Necesitará una abertura de 3" x 1 3/4" (7.6 x 4.5 cm) a través del gabinete para pasar la línea de suministro de agua de la lavadora de platos hasta la válvula de cierre.



Para conectar el suministro de agua caliente:

1. Arme el conector del adaptador del suministro de agua que se encuentra en la bolsa de piezas y colóquelo en la manguera de suministro de agua de la lavadora de platos. Esta conexión no requiere cinta de marca Teflon.
2. Pase la línea de suministro de agua de la lavadora de platos con el adaptador conectado a través de la abertura, hacia la válvula de cierre del agua. Tenga cuidado de no permitir que la manguera se pliegue ni se enrede detrás de la lavadora de platos.
3. Conecte la línea de suministro de agua de la lavadora de platos con el adaptador a la válvula de cierre del agua. Necesitará usar una línea de suministro de agua para lavadora de platos aprobada con los conectores correctos al realizar conexiones de plomería.
Nota: El extremo de la manguera de entrada de agua de la lavadora de platos es pesado y necesitará sujetarse. Es mejor dejar el extremo sobre el piso del gabinete.
4. Una vez que estén hechas todas las conexiones, abra el suministro de agua caliente y verifique que no haya pérdidas.



ADVERTENCIA

Evite el peligro de escaldadura

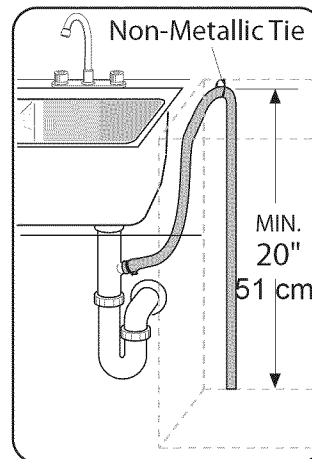
No realice ningún trabajo en una tubería de agua caliente que tenga carga. Podría ocasionar lesiones graves. Únicamente los plomeros calificados pueden realizar trabajos de plomería. No intente realizar ningún tipo de trabajo en las tuberías de suministro de agua caliente de la lavadora de platos hasta que esté seguro de que el suministro de agua caliente esté cerrado.

CONEXIONES DEL DRENAJE

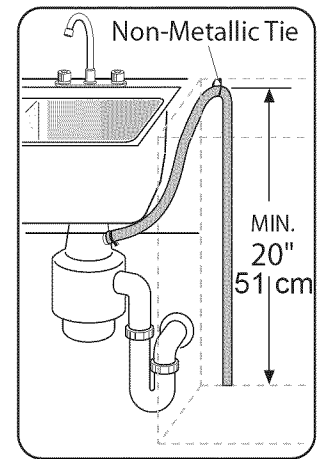
La manguera de drenaje de la lavadora de platos puede estar conectada a las tuberías de drenaje del hogar o del campo de cuatro maneras. Necesitará un orificio de $1\frac{1}{4}$ " (3.2 cm) de diámetro para pasar la manguera de drenaje a través del gabinete.

NOTAS IMPORTANTES:

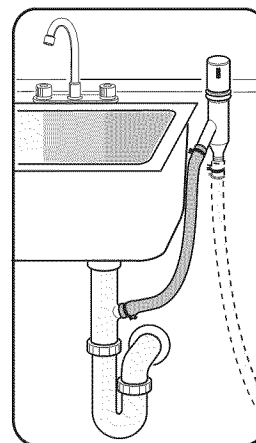
- Si las ordenanzas locales requieren un espacio de aire, instálolo de acuerdo con las instrucciones del fabricante.
- Si la manguera de drenaje de la lavadora de platos debe conectarse a una conexión de drenaje para lavadora de platos de un triturador, retire el tapón de la conexión de drenaje para lavadora de platos del triturador de desechos.
- De todo su largo, la manguera de drenaje de la lavadora de platos debe tener una parte que esté firmemente sujeta 20 pulgadas (50.8 cm) por encima del piso del gabinete.
- La longitud de la manguera de drenaje puede extenderse si fuera necesario. La longitud máxima de la manguera de drenaje, incluida la manguera que conecta con el espacio de aire, es de 150 pulgadas (381 cm).



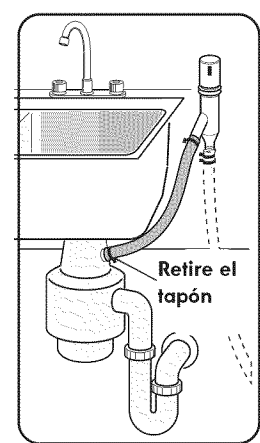
Directamente a la conexión de drenaje para lavadora de platos ubicada debajo del fregadero.



Directamente a la conexión de drenaje para lavadora de platos de un triturador de desechos.



A la conexión de drenaje para lavadora de platos ubicada debajo del fregadero a través de un espacio de aire.



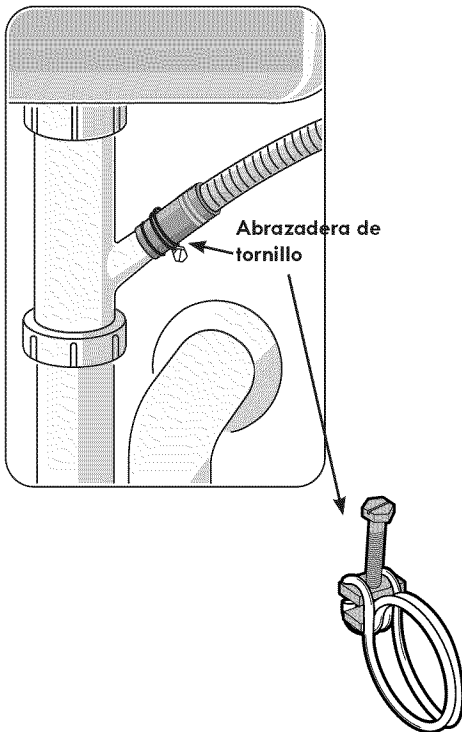
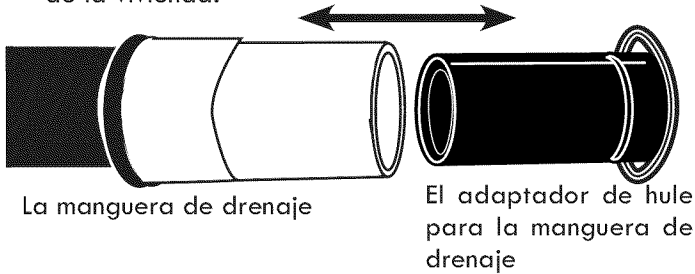
A la conexión de drenaje para lavadora de platos de un triturador de desechos a través de un espacio de aire.

ADAPTADOR DE HULE PARA LA MANGUERA DE DRENAJE

Para una abertura más grande, use la manguera de drenaje como está.

Para una abertura pequeña, introduzca el adaptador de hule para la manguera de drenaje en el extremo de la manguera de drenaje.

1. Obtenga la pinza de resorte para el adaptador de hule para la manguera de drenaje incluida en el Kit de instalación de la lavadora de platos (**no la reemplace**).
2. Introduzca la manguera de drenaje de la lavadora de platos en el **extremo de la manguera de drenaje**. Asegúrese de introducir completamente la manguera de drenaje.
3. Use la abrazadera suministrada para sujetar el adaptador de hule para la manguera de drenaje a las tuberías de la vivienda.



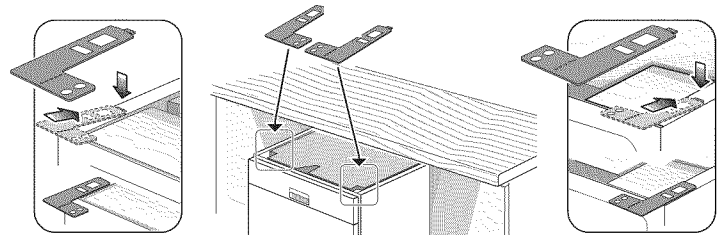
⚠ ADVERTENCIA
Use la lavadora de platos únicamente cuando esté completamente instalada. Al abrir la puerta de una lavadora de platos que no está instalada, abra la puerta con cuidado mientras sostiene la parte posterior de la unidad. No seguir esta advertencia puede ocasionar lesiones graves.

SOPORTES DE MONTAJE

Antes de instalar los soportes de montaje para la encimera suministrados, decida qué método utilizará para asegurar la lavadora de platos al recinto. Una vez que los soportes de montaje están instalados en la lavadora de platos, es difícil retirarlos, y esto daña los soportes de montaje y la lavadora de platos.

La lavadora de platos puede asegurarse dentro de su recinto de dos maneras:

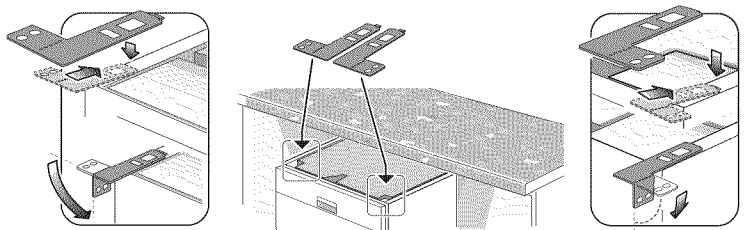
1. **El montaje superior** se usa para encimeras hechas de madera o de otros materiales que puedan ser perforados fácilmente. Oriente los soportes de montaje como se muestra a continuación y colóquelos sobre las ranuras que se encuentran sobre las esquinas delanteras de la lavadora de platos. Empuje los soportes de montaje firmemente hacia abajo e introduzca las pestañas dentro de las ranuras.



Montaje superior

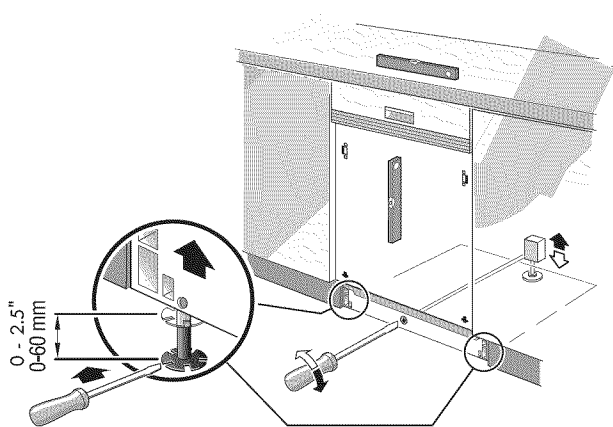
2. **El montaje lateral** se usa para encimeras hechas de mármol, granito o de otros materiales muy duros que no pueden ser perforados fácilmente. Doble los soportes de montaje a lo largo de los orificios pequeños y en la misma dirección que las dos pestañas pequeñas. Oriente los soportes de montaje como se muestra a continuación y coloque las dos pestañas pequeñas que se encuentran en los soportes de montaje sobre las dos ranuras de las esquinas delanteras de la lavadora de platos. Empuje los soportes de montaje firmemente hacia abajo e introduzca las pestañas dentro de las ranuras.

Montaje lateral



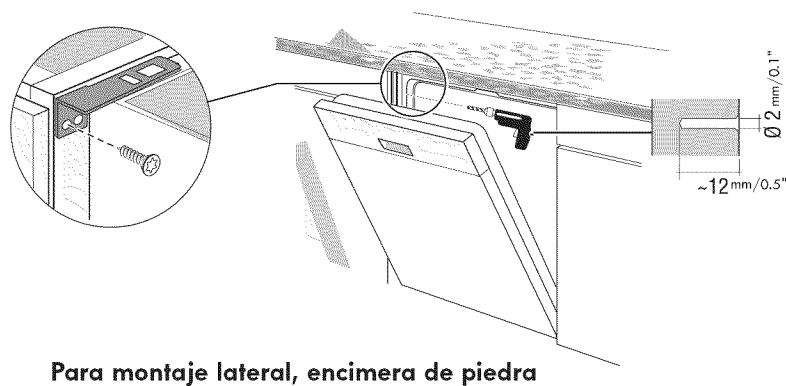
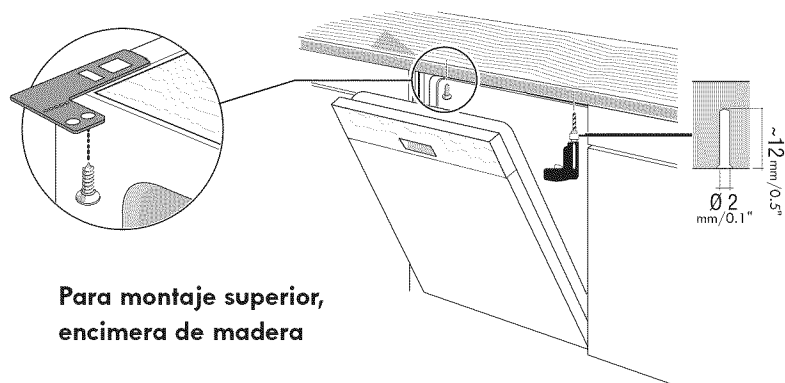
CÓMO NIVELAR LA LAVADORA DE PLATOS

Ahora, la unidad debe estar lista para desplazarla dentro de la abertura del gabinete. Para evitar rayar el piso, use protección para pisos y tenga cuidado al deslizar la lavadora de platos dentro del gabinete. Asegúrese de que las mangueras y los cables no se amontonen detrás de la unidad ni se plieguen cuando deslice la unidad nuevamente. Asegúrese de deslizar la unidad en su lugar antes de levantar los niveladores de las patas. Nivele la lavadora de platos de manera horizontal girando las patas hacia la derecha para levantar o hacia la izquierda para bajar la parte delantera de la unidad. Nivele la lavadora verticalmente girando el tornillo central para levantar o bajar la parte trasera.



COMO ASEGURAR LA LAVADORA DE PLATOS

1. Coloque los tornillos de montaje a través de los orificios que se encuentran en los soportes de montaje, como se muestra para el montaje superior o lateral.
2. Una vez que la unidad esté instalada en el recinto, nivelada y asegurada, trabe los dos niveladores de las patas delanteras en su lugar colocando los tornillos de traba de los niveladores de las patas suministrados en cada receptáculo para tornillo ubicado en la parte delantera de los niveladores.
3. Apriete los tornillos hasta que queden a ras con la superficie de los receptáculos.

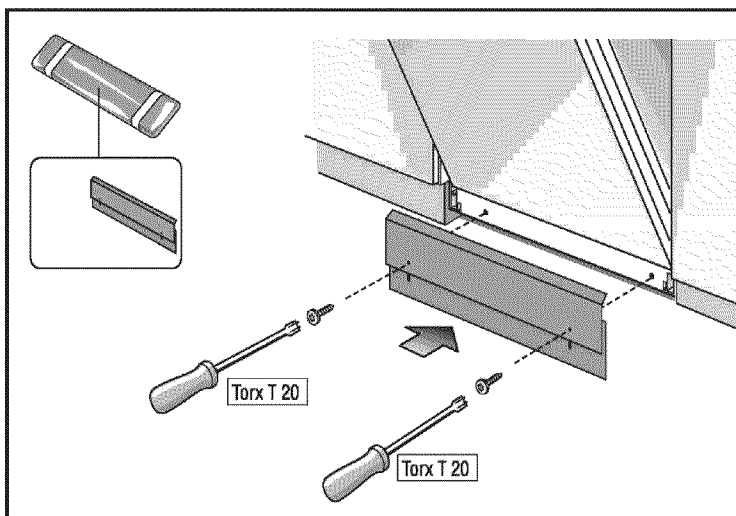


CÓMO COLOCAR EL PANEL DE PIE

Su lavadora de platos viene con un panel de pie de tres partes que permite ajustar la altura.

1. Primero, coloque el panel de pie trasero con ranuras en la lavadora de platos. Deje que se apoye sobre el piso.
2. Coloque el panel de pie delantero correspondiente encima del panel de pie trasero y deje que el borde en ángulo se apoye en el borde correspondiente de la lavadora de platos.
3. Coloque los dos tornillos negros (incluidos) a través del orificio que se encuentra en el panel de pie para asegurarlo. Use los tornillos suministrados para evitar dañar la lavadora de platos.

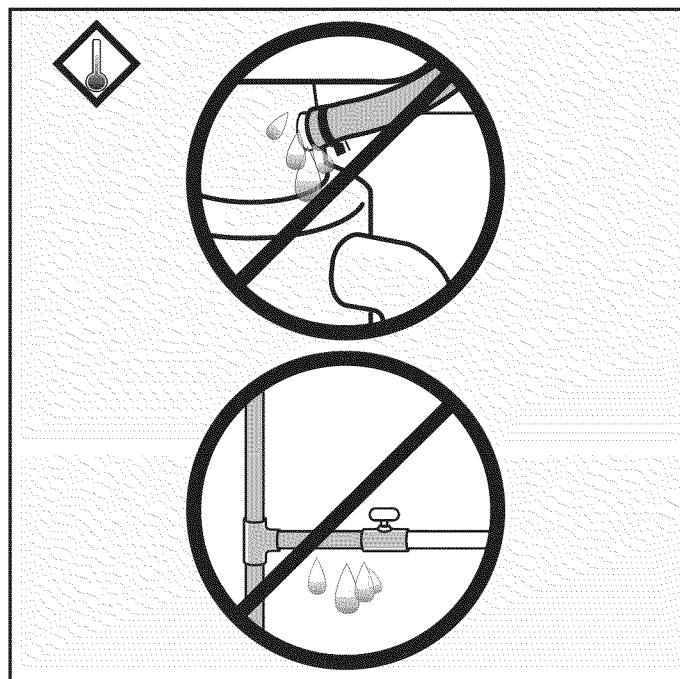
NOTA: Una vez que determine la posición correcta de los soportes, retire el soporte y doble la pestaña de metal. Esto asegura que el panel de pie no se deslice hacia adentro más de lo necesario.



CÓMO COMPROBAR QUE NO HAYA PÉRDIDAS

Conecte la tubería de agua a la válvula de cierre de entrada de agua caliente.

- Abra el grifo y compruebe que no haya pérdidas. Vuelva a encender la alimentación en la caja de fusibles.
- Encienda la lavadora, escuche el ruido del agua y de la bomba para comprobar la distribución del agua.
- Presione Cancel/Reset (Cancelar/Reprogramar) para drenar y comprobar que no haya pérdidas.



Get it fixed, at your home or ours!

Your Home

For troubleshooting, product manuals and expert advice:



www.managemylife.com

For repair – **in your home** – of **all** major brand appliances, lawn and garden equipment, or heating and cooling systems, **no matter who made it, no matter who sold it!**

For the replacement parts, accessories and owner's manuals that you need to do-it-yourself.

For Sears professional installation of home appliances and items like garage door openers and water heaters.

1-800-4-MY-HOME[®] (1-800-469-4663)

Call anytime, day or night (U.S.A. and Canada)

www.sears.com www.sears.ca

Our Home

For repair of carry-in items like vacuums, lawn equipment, and electronics, call anytime for the location of your nearest

Sears Parts & Repair Service Center

1-800-488-1222 (U.S.A.)

www.sears.com

1-800-469-4663 (Canada)

www.sears.ca

To purchase a protection agreement on a product serviced by Sears:

1-800-827-6655 (U.S.A.)

1-800-361-6665 (Canada)

Para pedir servicio de reparación a domicilio, y para ordenar piezas:

1-888-SU-HOGAR[®]

(1-888-784-6427)

www.sears.com

Au Canada pour service en français:

1-800-LE-FOYER^{MC}

(1-800-533-6937)

www.sears.ca

The Sears logo, featuring the word "Sears" in a large, stylized, serif font with a shadow effect.

® Registered Trademark / TM Trademark of KCD IP, LLC in the United States, or Sears Brands, LLC in other countries

® Marca Registrada / TM Marca de Fábrica de KCD IP, LLC in Estados Unidos, o Sears Brands, LLC in otros países

^{MC} Marque de commerce / ^{MD} Marque déposée de Sears Brands, LLC