



EN

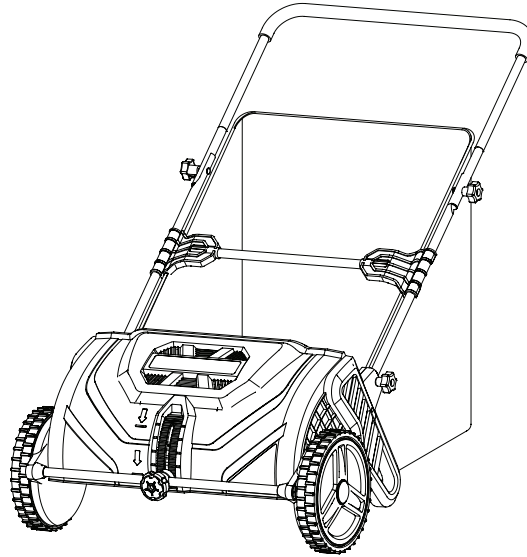
OPERATOR'S MANUAL

MANUAL LEAF SWEEPER

22 GALLON CAPACITY | 21-INCH CLEANING WIDTH

Model SDJ602LS

Form No. ASP-SDJ602LS-880E-M (S)



THANK YOU FOR YOUR PURCHASE!

HAS YOUR SNOW JOE EXPERIENCE LEFT YOU SMILING? 😊

TELL YOUR FRIENDS AND TAG US!

We love to hear your feedback! Share your experience by writing comments and reviews on shopjoe.com, or connect with us on social media!



@SNOWJOECO

#GOWITHJOE

OR HAS SOMETHING LEFT YOU LESS THAN SATISFIED? 😞

WE'RE SORRY ABOUT THAT!

Our friendly customer service team is ready to help you with any issues you may have.

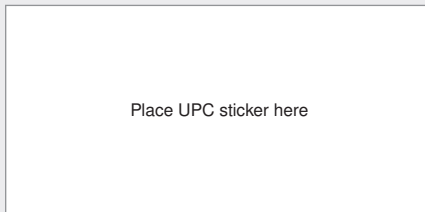


CALL US
1-866-225-9723



For fastest response
CHAT WITH US
SHOPJOE.COM/CHAT

SCAN REGISTER ONLINE TODAY



- ✓ ACTIVATE YOUR **2 YEAR WARRANTY**
- ✓ RECEIVE **90 DAYS BONUS COVERAGE**
- ✓ VISIT **SHOPJOE.COM/REGISTER**

Failure to register your product purchase will not diminish your warranty rights. For more information visit shopjoe.com



UPGRADE YOUR COVERAGE AT SHOPJOE.COM/REGISTER FOR UP TO 3, 4, OR 5 YEARS OF TOTAL TOOL COVERAGE

When we say we stand behind our product, we mean it! Now you can blow, mow, cut, saw or tend to any other yard task with confidence, knowing that if there is a problem with your tool within the warranty period, we will gladly solve it.





MANUAL LEAF SWEEPER

22 GALLON CAPACITY | 21-INCH CLEANING WIDTH

Model SDJ601LS

Form No. ASP-SDJ602LS-880E-M (S)

IMPORTANT! Safety Instructions

All Operators Must Read These Instructions Before Use

Always follow these safety guidelines. Failure to do so may result in serious bodily injury or death.

⚠️ WARNING! This device can be dangerous! Careless or improper use may cause serious injury.

Before using the leaf sweeper, familiarize yourself with the controls, especially how to stop it in the event of an emergency. The only individuals who should use the leaf sweeper are those who thoroughly understand these instructions and know how to properly operate the unit. Children should never be allowed access to the leaf sweeper.

General Safety WARNINGS!

When using this leaf sweeper, basic safety precautions should always be followed to reduce the risk of personal injury. These precautions include:




1. Never place hands, fingers, or feet near the disc brushes. Although this leaf sweeper is not powered by a motor, the disc brushes spin when the wheels turn.
2. Never sweep when the ground is wet as it can be slippery.
3. Do not use the leaf sweeper while barefoot or while wearing sandals.
4. Walk behind and never run while using the leaf sweeper. Always keep proper footing and balance when using the device, and look out for potholes and other obstacles which may present a tripping hazard.
5. Do not intentionally strike or hit trees, fences, or other objects. Doing so can cause injuries or permanently damage the leaf sweeper.
6. Make sure that the leaf sweeper is in proper working order prior to use. Do not attempt to operate this leaf sweeper if damaged. Contact your authorized All Season Power dealer or call the All Season Powe customer service center at 1-866-225-9723.
7. Clear the sweeping area of large foreign objects such as rocks, wire, toys, and other miscellaneous articles, which may be too large to be picked up by the leaf sweeper.
8. Make sure that the area is clear of bystanders before starting. Stop the sweeping if anyone enters the area.

9. Always look down and behind you before starting and while moving backwards with the leaf sweeper.
10. The leaf sweeper is not intended for use on grass or for sweeping up liquids.
11. Never sweep up hazardous substances, explosive or combustible liquids as well as undiluted acids or solvents. This includes gasoline, paint thinner or heating oil which can generate explosive fumes upon contact with air. Acetone, undiluted acids and solvents must also be avoided as they can damage the materials on the machine.
12. Always wear safety gloves while removing glass, metal or other materials from the waste container.
13. Never use or store the device in hazardous environments.
14. Only use identical replacement parts.
15. Ensure all fasteners remain secure at all times.
16. This device is not intended for use by persons (including children) with reduced physical, sensory or mental abilities or those lacking experience and/or knowledge in the operation of the device.
17. This device is intended for non-commercial applications only.



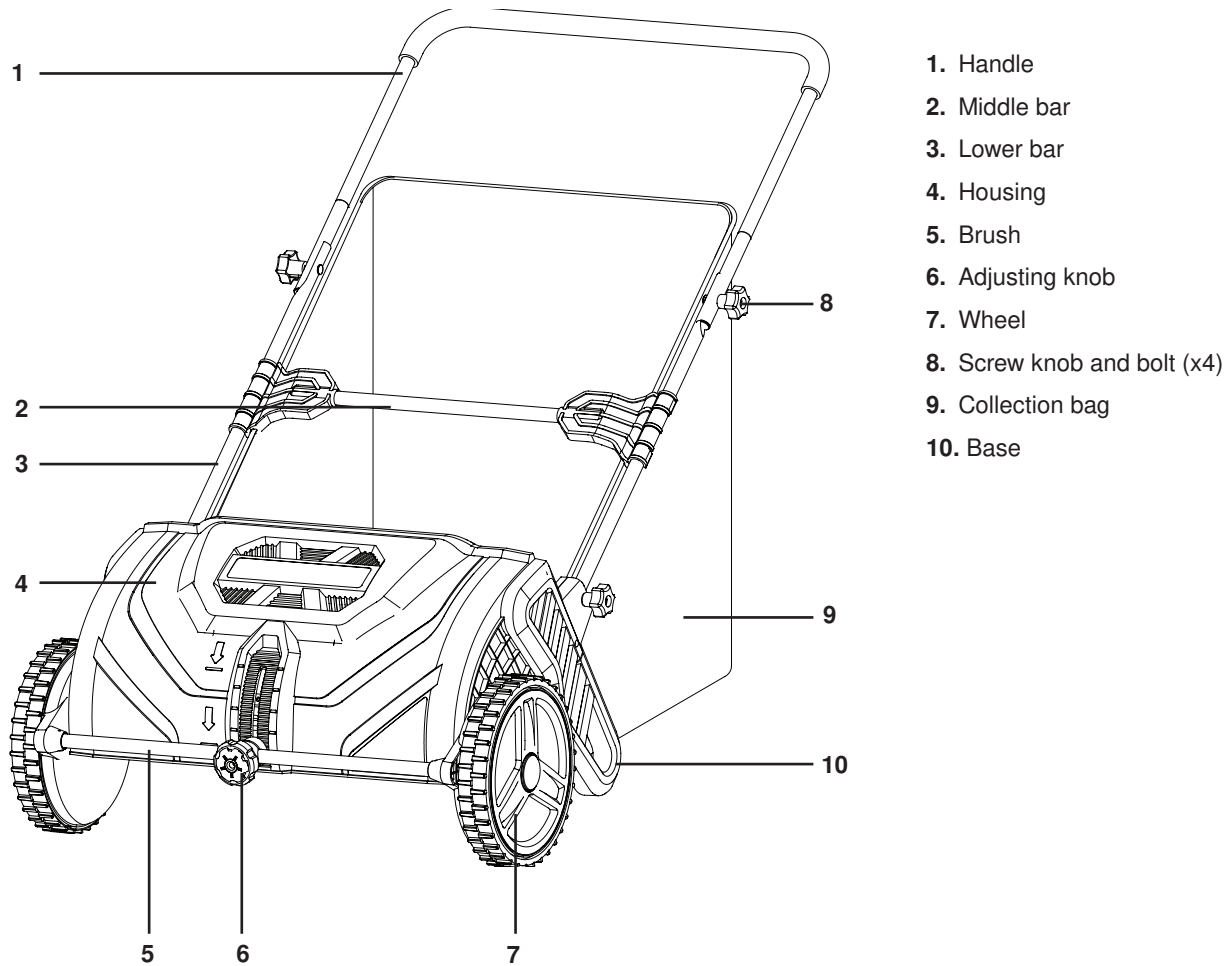
Safety Symbols

The following table depicts and describes safety symbols that may appear on this product. Read, understand, and follow all instructions on the machine before attempting to assemble and operate.

Symbols	Descriptions	Symbols	Descriptions
	<p>READ THE OPERATOR'S MANUAL(S) – Read, understand, and follow all instructions in the user manual(s) before attempting to assemble and operate.</p>		<p>Keep bystanders and children a safe distance away.</p>
	<p>SAFETY ALERT – Indicates a precaution, a warning, or a danger.</p>		

Know Your Manual Dual-Brush Leaf Sweeper

Read the owner's manual and safety instructions carefully before operating the leaf sweeper. Compare the illustration below to the leaf sweeper in order to become familiar with the location of the various controls and adjustments. Save this manual for future reference.



- 1. Handle
- 2. Middle bar
- 3. Lower bar
- 4. Housing
- 5. Brush
- 6. Adjusting knob
- 7. Wheel
- 8. Screw knob and bolt (x4)
- 9. Collection bag
- 10. Base

Technical Data

Cleaning Width	21 in. (53 cm)	Handle Angle	45°
Collection Bin Capacity.....	22 Gallons (84 L)	Product Dimensions	27.6 in. x 55.1 in. x 31.5 in. (70 cm x 140 cm x 80 cm)
Working Height.....	from -2.8 in. to 10.6 in. (-7 mm to 27 mm)	Net Weight	13.9 lbs (6.3 kg)

Unpacking

Carton Contents

- Sweeper body
- Handle
- Lower bar
- Collection bag
- Middle bar
- Screw knob and bolt (x4)
- Screw (x4)
- Manual

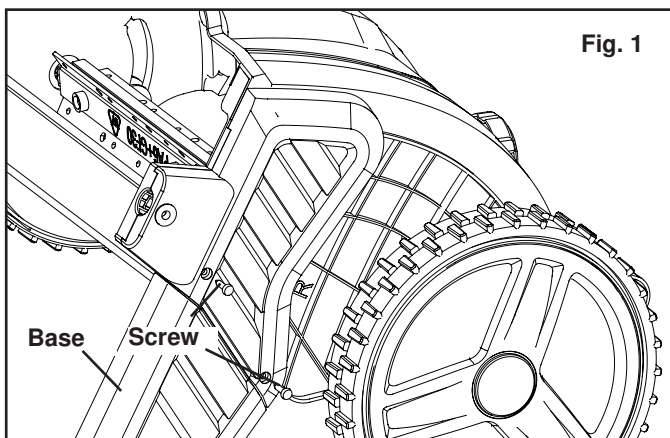
1. Carefully remove the leaf sweeper and check to see that all of the above items are supplied.
2. Inspect the product carefully to make sure no breakage or damage occurred during shipping. If you find damaged or missing parts, DO NOT return the unit to the store. Please call the All Season Power customer service center at 1-866-225-9723.

NOTE: Do not discard the shipping carton and packaging material until you are ready to use your new leaf sweeper. The packaging is made of recyclable materials. Properly dispose of these materials in accordance with local regulations.

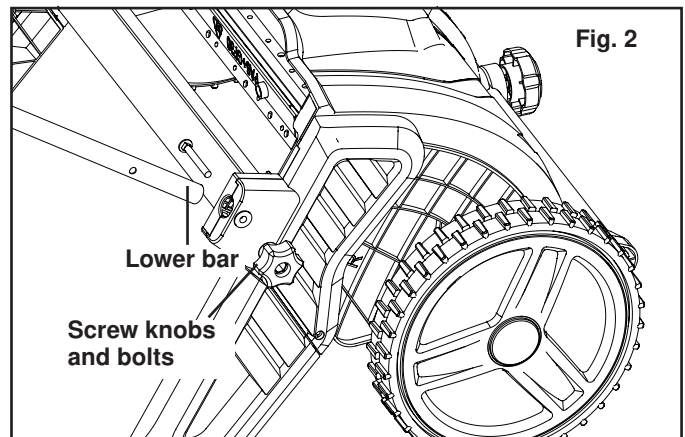
IMPORTANT! The equipment and packaging material are not toys. Do not let children play with plastic bags, foils, or small parts. These items can be swallowed and pose a suffocation risk!

Assembly

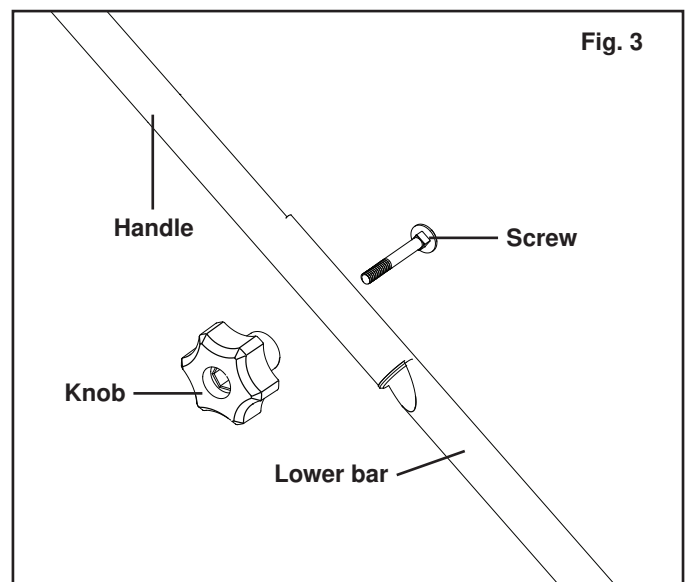
1. Secure the base to the sweeper body using the provided screws (Fig. 1).



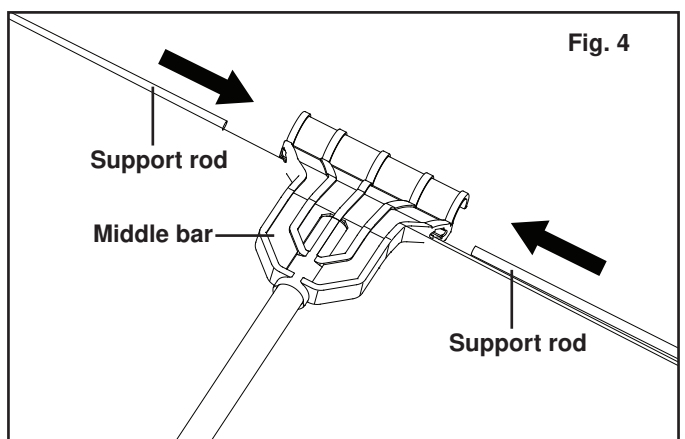
2. Attach the lower bar to the sweeper body using two sets of screw knobs and bolts (Fig. 2).

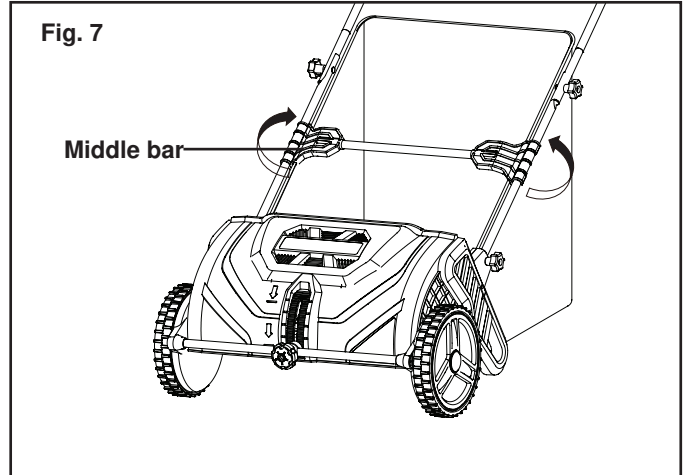
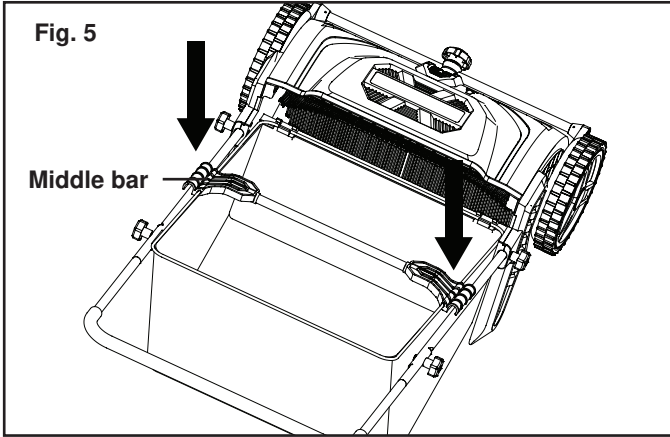


3. Secure the handle to the lower bar using two sets of screw knobs and bolts (Fig. 3).



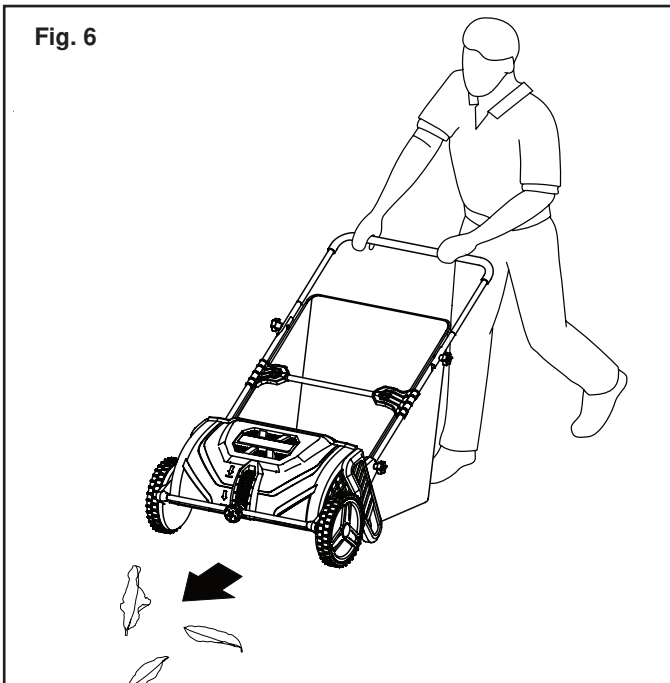
4. Assemble the collection bag by inserting the support rod into the middle bar (Fig. 4). Then, attach the collection bag to the lower bar by pressing the middle bar into place (Fig. 5).





Operation

1. Grasp the handle with both hands and walk forward to begin sweeping (Fig. 6).



2. To empty the leaf sweeper, release the middle bar (Fig. 7) and pull the collection bag off the sweeper body. Empty its contents into an appropriate waste container, such as garbage, compost, or recycling (Fig. 7).

Reminder: When sweeping leaves on grass, set the sweeper to a high position using the adjusting knob to prevent the wheels from getting tangled or stuck.

Care + Maintenance

- Keep all nuts, bolts, and screws tight to ensure the device remains in good working order.
- Never use a leaf sweeper with worn or damaged parts.
- Damaged parts are to be replaced and never repaired.
- Only use identical replacement parts.
- Do not use solvents or polishes to clean the leaf sweeper.

Service + Support

If your Sun Joe® SDJ602LS Manual Leaf Sweeper requires service or maintenance, please call the All Season Power customer service center at 1-866-225-9723

Model + Serial Numbers

When contacting the company, reordering parts, or arranging service from an authorized dealer, you will need to provide the model and serial numbers, which can be found on the decal located on the housing of the unit. Copy these numbers into the space provided below.

Record the following numbers from the housing or handle of your new product:

Model #:											
S	D	J	6	0	2	L	S				
Serial #:											

SDJ602LS Manual Leaf Sweeper – Troubleshooting Guide

Sun Joe® SDJ602LS | 21" Cleaning Width | 22 Gal Capacity | Source: Operator's Manual

SYMPTOM	LIKELY CAUSE	RECOMMENDED ACTION
Poor leaf pickup / leaving debris behind	Brush height too high; wet/heavy debris; worn brushes	Lower brush using adjusting knob (item 6). Avoid sweeping wet leaves. Replace brushes if bristles are matted or deformed.
Wheels tangling or bogging in grass	Brush set too low for grass; debris wrapped around axle	Raise brush height for grass surfaces. Clear any debris wrapped around wheel axles before each use.
Brushes not spinning / unit not collecting	Large object jammed in housing; brush detached or damaged	Stop unit. Clear large debris (rocks, wire, sticks) from housing. Inspect brush for detachment or breakage. Replace if damaged.
Collection bag not filling or deflated	Middle bar not fully seated; support rod dislodged; bag torn	Re-press middle bar (item 2) firmly onto lower bar until seated. Verify support rod is fully inserted (see Fig. 4). Inspect bag for tears.
Unit feels loose or wobbly during use	Screw knobs and bolts have loosened with use	Hand-tighten all 4 screw knobs/bolts at handle and lower bar joints. Check 4 base screws. Do not operate if structural plastic is cracked.
Difficulty emptying collection bag	Middle bar not fully released; bag overfilled	Fully release middle bar (see Fig. 7) before pulling bag free. Empty more frequently — do not exceed 22 gal / 84 L.
Handle uncomfortable or at wrong height	Handle angle not adjusted for operator	Loosen two screw knobs at handle-to-lower-bar connection. Reposition to comfortable angle (fixed 45° design). Re-tighten evenly on both sides.
Unit won't sweep on hard surfaces (patio/driveway)	Brush height too high; no bristle-to-surface contact	Lower brush using adjusting knob until bristles make light contact with surface. Note: unit is NOT designed for liquids or heavy debris on uneven surfaces.



SDJ602LS Manual Leaf Sweeper – Recommended Replacement Parts

Order parts at shopjoe.com using model number SDJ602LS | CS: 1-866-225-9723 | Use Certified Authentic parts only – 3rd-party parts void warranty

ITEM #	PART NAME	WEAR ITEM?	DESCRIPTION / WHEN TO REPLACE
05	Brush Assembly	YES	Dual disc brushes. Replace when bristles are splayed, broken, or no longer contacting ground. Primary wear component.
09	Collection Bag	YES	22-gal / 84-L fabric bag with support rod. Replace if torn, seams failing, or closure damaged.
07	Wheel (x2)	No	Drive wheels that actuate the brush. Replace if cracked, warped, or axle pin damaged.
08	Screw Knob & Bolt (x4)	No	Hand-tighten hardware for handle and lower bar connections. Replace if stripped or cracked.
02	Middle Bar	No	Supports collection bag; locks onto lower bar. Replace if snap/retention mechanism is broken.
06	Adjusting Knob	No	Controls brush-to-ground height. Replace if knob cracks or no longer holds set position.
03	Lower Bar	No	Structural bar connecting handle to sweeper body. Replace if bent or cracked.





OUR CUSTOMER PROMISE + LIMITED WARRANTY

ABOVE ALL ELSE, All Season Power, LLC (“All Season Power”) is dedicated to you, our customer. We strive to make your experience as pleasant as possible. Unfortunately, there are times when a Snow Joe®, Sun Joe®, Aqua Joe® or Auto Joe® product (“Product”) does not work or breaks under normal operating conditions. We think it’s important that you know what you can expect from us. That’s why we have a Limited Warranty (“Warranty”) for our Products.

OUR WARRANTY:

All Season Power warrants new, genuine, powered and non-powered Products to be free from defects in material or workmanship when used for ordinary household use for a period of two years from the date of purchase or delivery by the original, end-user purchaser when purchased from All Season Power or from one of All Season Power’s authorized sellers with proof of purchase. Because All Season Power is unable to control the quality of its Products sold by unauthorized sellers, unless otherwise prohibited by law, this Warranty does not cover Products purchased from unauthorized sellers. If you have any questions about how to buy from an authorized seller, chat with us at shopjoe.com/support or call us at **1-866-225-9723**. If your Product does not work or there’s an issue with a specific part that is covered by the terms of this Warranty, All Season Power will elect to either (1) send you a free replacement part, (2) replace the Product with a new or comparable product (which may include a refurbished, like-new product) at no charge, or (3) repair the Product. How cool is that!

PRODUCT REGISTRATION:

All Season Power strongly encourages you to register your Product. You can register online at shopjoe.com/register, by chatting with us at shopjoe.com/support or calling our Customer Service Department at **1-866-225-9723**. Failure to register your Product will not diminish your warranty rights. However, registering your Product will allow All Season Power to better serve you with any of your customer service needs.

WHO CAN SEEK LIMITED WARRANTY COVERAGE:

This Warranty is extended by All Season Power to the original purchaser and original owner of the Product.

WHAT IS NOT COVERED?

This Warranty does not apply if the Product has been used commercially or for non-household or rental applications. This Warranty also does not apply if the Product was purchased from an unauthorized seller. This Warranty also does not cover cosmetic changes that do not affect performance. Wearing parts like belts, augers, chains and tines are not covered under this Warranty, and can be purchased at shopjoe.com or by calling 1-866-225-9723.



We encourage you to use **CERTIFIED AUTHENTIC** Snow Joe®, Sun Joe®, Aqua Joe® + Auto Joe® replacement parts + accessories. Damage caused by the use of any other parts + accessories on your Product will not be covered under the warranty. Genuine parts + accessories can be found and purchased here by entering the model number of your product.

When you register your powered or non-powered Product with All Season Power at shopjoe.com/register, you will receive an additional 90 days of warranty coverage. In addition, you will have the option of purchasing extended warranty coverage beyond the standard 2-year manufacturer’s warranty. Choose from one, two, or three years of extended coverage through Extend, Inc. Additional charges apply. When you Go With Joe®, you’re not just buying an extended warranty; you’re buying total peace of mind to know that you can rely on our top-notch tools, top-tier customer support, complete product coverage + no hassle return policy. Chat with us at shopjoe.com/support or call us at **1-866-225-9723** 7 days a week 10AM-6PM EST. We’ve got you covered!

There are no warranties which extend beyond those stated herein. **ANY IMPLIED WARRANTIES THAT MAY BE APPLICABLE TO PRODUCTS, INCLUDING IMPLIED WARRANTIES OF MERCHANTABILITY OR FITNESS FOR A PARTICULAR PURPOSE, ARE LIMITED IN DURATION TO THE DURATION OF THIS WARRANTY.** Some States do not allow limitations on how long an implied warranty lasts, so the above limitation may not apply to you.

UNDER NO CIRCUMSTANCES SHALL WE BE LIABLE FOR ANY SPECIAL, INCIDENTAL, OR CONSEQUENTIAL DAMAGES BASED UPON BREACH OF THIS LIMITED WARRANTY, BREACH OF CONTRACT OR STRICT LIABILITY. Some States do not allow the exclusion or limitation of incidental or consequential damages, so the above limitation or exclusion may not apply to you. This warranty gives you specific legal rights, and you may also have other rights which vary from State to State. This warranty supersedes those printed in product manuals.





shopjoe.com

®