

Installation Instructions

Gas & Electric Dryer

Instructions d'installation

Sécheuse à gaz ou électrique

Instrucciones para la instalación

Secadora a gas y eléctrica

Before beginning installation, carefully read these instructions. This will simplify the installation and ensure the dryer is installed correctly and safely. Leave these instructions near the Dryer after installation for future reference.

NOTE: The electrical service to the Dryer must conform with local codes and ordinances and the latest edition of the National Electrical Code, ANSI/NFPA 70 or in Canada, CSA C22.1 Canadian Electrical Code Part 1.

NOTE: The gas service to the Dryer must conform with local codes and ordinances and the latest edition of the National Fuel Gas Code ANSI Z223.1 or in Canada, CAN/CGA B149.12.

NOTE: The Dryer is designed under ANSI Z 21.5.1 or ANSI/UL 2158 - CAN/CSA C22.2 No. 112 (latest editions) for HOME USE only. This Dryer is not recommended for commercial applications such as restaurants or beauty salons, etc.

Avant de commencer, lire attentivement le présent document. Cela simplifiera l'installation et assurera la pose correcte et sécuritaire de la sécheuse. Après l'installation, laisser ce document à proximité de la sécheuse pour référence future.

REMARQUE : L'alimentation électrique de la sécheuse doit respecter les codes et ordonnances locaux ainsi que l'édition la plus récente du Code ANSI/NFPA 70, ou au Canada, le Code canadien d'électricité, ACNOR C22.1, partie 1.

REMARQUE : L'alimentation en gaz de la sécheuse doit respecter les codes et ordonnances locaux ainsi que l'édition la plus récente du Code ANSI Z223.1, ou au Canada, le code CAN/ACG B149.12.

REMARQUE : La sécheuse est conçue conformément au code ANSI Z 21.5.1 ou ANSI/UL 2158 - CAN/ACG C22.2 No. 112 (l'édition la plus récente) pour un USAGE DOMESTIQUE seulement. Cette sécheuse n'est pas recommandée pour utilisation commerciale, comme par exemple un restaurant ou un salon de coiffure, etc.

Antes de comenzar la instalación, lea cuidadosamente estas instrucciones. Esto simplificará la instalación y asegurará que la secadora se instale correctamente y de manera segura. Después de completar la instalación, coloque estas instrucciones cerca de la secadora para referencia futura.

NOTA: La alimentación eléctrica para la secadora deberá cumplir con los códigos y reglamentos locales y con la última edición del Código Eléctrico Nacional, ANSI/NFPA 70 o en Canadá CSA C22.1 Código Eléctrico Canadiense, Parte 1.

NOTA: La alimentación de gas para la secadora deberá cumplir con los códigos y reglamentos locales y con la última edición del Código Nacional para Gases Combustibles, ANSI Z223.1 o en Canadá CAN/CGA B149.12.

NOTA: La secadora está clasificada para USO DOMESTICO solamente, de acuerdo con la norma ANSI Z 21.5.1 o ANSI/UL 2158 - CAN/CSA C22.2 No. 112 (las últimas ediciones). Esta secadora no se recomienda para uso comercial tal como en restaurantes, salones de belleza, etc.

⚠ WARNING For your safety the information in this manual must be followed to minimize the risk of fire or explosion or to prevent property damage, personal injury or loss of life.

- Do not store or use gasoline or other flammable vapors and liquid in the vicinity of this or any other appliance.

- WHAT TO DO IF YOU SMELL GAS

- Do not try to light any appliance.
- Do not touch any electrical switch; do not use any phone in your building.
- Clear the room, building or area of all occupants.
- Immediately call your gas supplier from a neighbor's phone. Follow the gas supplier's instructions.
- If you cannot reach your gas supplier, call the fire department.

Installations must be performed by a qualified or licensed contractor, plumber, or gasfitter qualified or licensed by the state, province, or region where this appliance is being installed.

⚠ AVERTISSEMENT Pour votre sécurité, suivre les directives données dans le présent guide afin de minimiser les risques d'incendie, d'explosion, de dommages matériels, de blessures et de mort.

- Ne pas entreposer ni utiliser d'essence ou d'autres vapeurs ou liquides inflammables à proximité de cette sécheuse ou de tout autre appareil électroménager.

- QUE FAIRE S'IL Y A UNE ODEUR DE GAZ

- N'allumer aucun appareil électrique.
- Ne toucher aucun commutateur électrique; ne pas utiliser le téléphone dans l'immeuble.
- Faire sortir tous les occupants de la pièce, de l'immeuble ou de la zone avoisinante.
- Appeler la compagnie de gaz immédiatement en utilisant le téléphone d'un voisin. Suivre les instructions de la compagnie de gaz.
- S'il est impossible de joindre la compagnie de gaz, appeler les pompiers.

L'installation et les réparations doivent être effectuées par un technicien qualifié, un agent de service ou la compagnie de gaz.

⚠ ADVERTENCIA Para su seguridad, siga las instrucciones contenidas en este manual a fin de reducir a un mínimo los riesgos de incendio o explosión o para evitar daños materiales, lesiones personales o la muerte.

- No almacene ni utilice gasolina u otros vapores y líquidos inflamables en la proximidad de éste o de cualquier otro artefacto eléctrico.

- QUE DEBE HACER SI PERCIBE OLOR A GAS

- No trate de encender ningún artefacto eléctrico.
- No toque ningún interruptor eléctrico; no use ningún teléfono en su edificio.
- Haga salir a todos los ocupantes de la habitación, del edificio y del lugar.
- Llame a su proveedor de gas desde el teléfono de un vecino. Siga las instrucciones del proveedor de gas.
- Si no logra comunicarse con su proveedor de gas, llame al departamento de bomberos.

La instalación y el servicio de mantenimiento debe de realizarlos un instalador calificado, la agencia de servicios o el proveedor de gas.

Contents

SUBJECT	PAGE
Pre-Installation Requirements	2
Electrical Requirements	2
Exhaust System Requirements	2-3
Gas Supply Requirements	3
Location of Your Dryer	4
Mobile Home Installation	5
Rough-In Dimensions	5-6
Unpacking	6
Reversing Door Swing	6
Electrical Installation	7
Grounding Requirements	7
Electrical Connections—3-wire	7
Electrical Connections—4-wire	8
Installation	8
Replacement Parts	8

PRE-INSTALLATION REQUIREMENTS

Tools and Materials Required for Installation:

1. Phillips head screwdriver.
2. Channel-lock adjustable pliers.
3. Carpenter's level.
4. Flat or straight blade screwdriver.
5. Duct tape.
6. Rigid or flexible metal 4 inch (10.2 cm) duct.
7. Vent hood.
8. Pipe thread sealer (Gas).
9. Plastic knife.

ELECTRICAL REQUIREMENTS

ELECTRIC Dryer

CIRCUIT - Individual 30 amp. branch circuit fused with 30 amp. time delay fuses or circuit breakers.

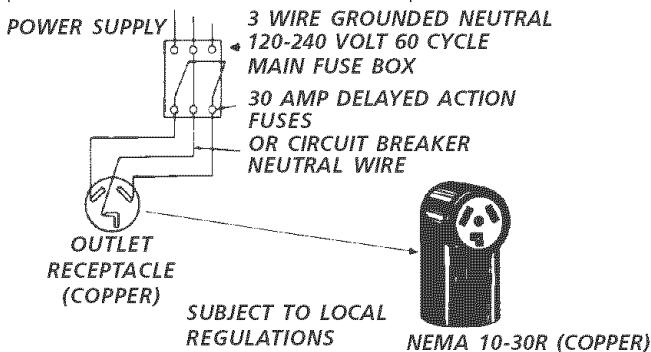
Use separately fused circuits for washers and dryers, and **DO NOT** operate a washer and a dryer on the same circuit.

POWER SUPPLY - 3 wire, 240 volt, single phase, 60 Hz, Alternating Current. (Canada - 240 volt, single phase, 60 Hz, Alternating Current.)

POWER SUPPLY CORD KIT - The dryer **MUST** employ a 3-conductor power supply cord NEMA 10-30 type SRDT rated at 240 volt AC minimum, 30 amp., with 3 open end spade lug connectors with upturned ends or closed loop connectors and marked for use with clothes dryers.

WARNING - Risk of Shock. Appliance grounded to neutral conductor through a link. Grounding through the neutral link is prohibited for (1) New branch circuit installations (2) mobile homes; (3) recreational vehicles; and (4) areas where local codes do not permit grounding through the neutral, (1) disconnect the link from the neutral, (2) use grounding terminal or lead to ground appliance in accordance with local codes and (3) connect neutral terminal or lead to branch circuit neutral in usual manner (if the appliance is to be connected by means of a cord kit, use 4-conductor cord for this purpose). USE COPPER CONDUCTOR ONLY. The dryer **MUST** employ a 4-conductor power supply cord NEMA 14-30 type SRDT or ST (as required) rated at 240 volt AC minimum, 30 amp., with 4 open end spade lug connectors with upturned ends or closed loop connectors and marked for use with clothes dryers. See ELECTRICAL CONNECTIONS FOR A 4-WIRE SYSTEM. (Canada - 4-wire power supply cord is installed on dryer.)

OUTLET RECEPTACLE - NEMA 10-30R receptacle to be located so the power supply cord is accessible when the dryer is in the installed position. (Canada - NEMA 14-30R receptacle.)



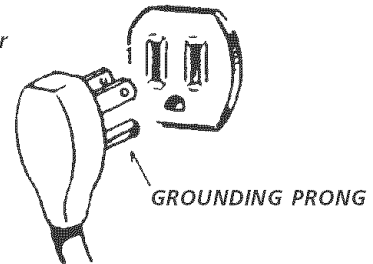
GAS Dryer

CIRCUIT - Individual 15 amp. branch circuit fused with a 15 amp. maximum time delay fuse or circuit breaker.

POWER SUPPLY - 3 wire, 120 volt single phase, 60 Hz, Alternating Current.

POWER SUPPLY CORD - The dryer is equipped with a 120 volt 3-wire power cord.

NOTE: Do not under any circumstances remove grounding prong from plug.



EXHAUST SYSTEM REQUIREMENTS

Use only 4 inch (10.2 cm) diameter (minimum) rigid or flexible metal duct and approved vent hood which has a swing-out damper(s) that open when the dryer is in operation. When the dryer stops, the dampers automatically close to prevent drafts and the entrance of insects and rodents. To avoid restricting the outlet, maintain a minimum of 12 inches (30.5 cm) clearance between the vent hood and the ground or any other obstruction.

WARNING The following are specific requirements for proper and safe operation of your dryer. Failure to follow these instructions can create excessive drying times and fire hazards.

WARNING Do not use plastic flexible duct to exhaust the dryer. Excessive lint can build up inside exhaust system and create a fire hazard and restrict air flow. Restricted air flow will increase dryer times. If your present system is made up of plastic duct or metal foil duct, replace it with a rigid or flexible metal duct. **Ensure the present duct is free of any lint prior to installing dryer duct.**

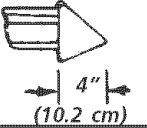
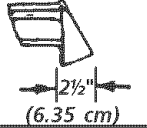
CAUTION - Risk of Fire - A clothes dryer produces combustible lint. If the dryer is not exhausted outdoors, some fine lint will be expelled into the laundry area. An accumulation of lint in any area of the home can create a health and fire hazard. **The dryer must be connected to an exhaust outdoors.** Regularly inspect the outdoor exhaust opening and remove any accumulation of lint around the outdoor exhaust opening and in the surrounding area.

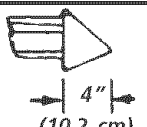
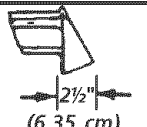
WARNING Do not allow combustible materials (for example: clothing, draperies/curtains, paper) to come in contact with exhaust system. The dryer **MUST NOT** be exhausted into a chimney, a wall, a ceiling, or any concealed space of a building which can accumulate lint, resulting in a fire hazard.

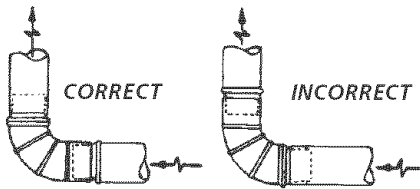
WARNING Exceeding the length of duct pipe or number of elbows allowed in the "MAXIMUM LENGTH" charts can cause an accumulation of lint in the exhaust system. Plugging the system could create a fire hazard, as well as increase drying times.

WARNING Do not screen the exhaust ends of the vent system, nor use any screws or rivets to assemble the exhaust system. Lint can become caught in the screen, on the screws or rivets, clogging the duct work and creating a fire hazard as well as increasing drying times. Use an approved vent hood to terminate the duct outdoors, and seal all joints with duct tape. All male duct pipe fittings **MUST** be installed downstream with the flow of air.

WARNING Explosion hazard. Do not install the dryer where gasoline or other flammables are kept or stored. If the dryer is installed in a garage, it must be a minimum of 18 inches (45.7 cm) above the floor. Failure to do so can result in death, explosion, fire or burns.

MAXIMUM LENGTH of 4" (10.2 cm) Dia. Rigid Metal Duct			
VENT HOOD TYPE			
(Preferred)			
Number of 90° Turns		Louvered	
	4" (10.2 cm)		2 1/2" (6.35 cm)
0	60 ft. (18.28 m)		48 ft. (14.63 m)
1	52 ft. (15.84 m)		40 ft. (12.19 m)
2	44 ft. (13.41 m)		32 ft. (9.75 m)
3	32 ft. (9.75 m)		24 ft. (7.31 m)
4	28 ft. (8.53 m)		16 ft. (4.87 m)

MAXIMUM LENGTH of 4" (10.2 cm) Dia. Flexible Metal Duct			
VENT HOOD TYPE			
(Preferred)			
Number of 90° Turns		Louvered	
	4" (10.2 cm)		2 1/2" (6.35 cm)
0	30 ft. (9.14 m)	18 ft. (5.49 m)	
1	22 ft. (6.71 m)	14 ft. (4.27 m)	
2	14 ft. (4.27 m)	10 ft. (3.05 m)	
3	NOT RECOMMENDED		



INSTALL MALE FITTINGS IN CORRECT DIRECTION

In installations where the exhaust system is not described in the charts, the following method must be used to determine if the exhaust system is acceptable:

1. Connect an inclined or digital manometer between the dryer and the point the exhaust connects to the dryer.
2. Set the dryer timer and temperature to air fluff (cool down) and start the dryer.
3. Read the measurement on the manometer.
4. The system back pressure **MUST NOT** be higher than 0.75 inches of water column. If the system back pressure is less than 0.75 inches of water column, the system is acceptable. If the manometer reading is higher than 0.75 inches of water column, the system is too restrictive and the installation is unacceptable.

Although vertical orientation of the exhaust system is acceptable, certain extenuating circumstances could affect the performance of the dryer:

- Only the rigid metal duct work should be used.

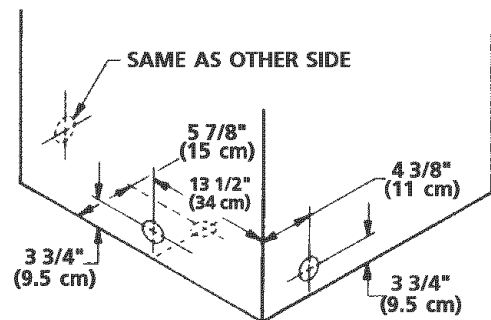
- Venting vertical through a roof may expose the exhaust system to down drafts causing an increase in vent restriction.
- Running the exhaust system through an uninsulated area may cause condensation and faster accumulation of lint.
- Compression or crimping of the exhaust system will cause an increase in vent restriction.

The exhaust system should be inspected and cleaned a minimum of **every 18 months** with normal usage. The more the dryer is used, the more often you should check the exhaust system and vent hood for proper operation.

EXHAUST DIRECTION

All dryers shipped from the factory are set up for rear exhausting. However, on electric dryers, exhausting can be to the right or left side of the cabinet or the bottom of the dryer. On gas dryers, exhausting can be to the right side of the cabinet or the bottom of the dryer. Directional exhausting can be accomplished by installing Exhaust Kit, P/N 131456800, available through your parts distributor. Follow the instructions supplied with the kit.

EXHAUST DUCT LOCATING DIMENSIONS



GAS SUPPLY REQUIREMENTS

⚠ WARNING Replace copper connecting pipe that is not plastic-coated. Stainless steel or plastic-coated brass **MUST** be used.

1. Installation **MUST** conform with local codes, or in the absence of local codes, with the National Fuel Gas Code, ANSI Z223.1 (latest edition) or in Canada, the current CAN/CGA B149.
2. The gas supply line should be of 1/2 inch (1.27 cm) pipe.
3. If codes allow, flexible metal tubing may be used to connect your dryer to the gas supply line. The tubing **MUST** be constructed of stainless steel or plastic-coated brass.
4. The gas supply line **MUST** have an individual shutoff valve.
5. A 1/8 inch (0.32 cm) N.P.T. plugged tapping, accessible for test gauge connection, **MUST** be installed immediately upstream of the gas supply connection to the dryer.
6. The dryer **MUST** be disconnected from the gas supply piping system during any pressure testing of the gas supply piping system at test pressures in excess of 1/2 psig (3.45 kPa).
7. The dryer **MUST** be isolated from the gas supply piping system during any pressure testing of the gas supply piping system at test pressures equal to or less than 1/2 psig (3.45 kPa).

LOCATION OF YOUR DRYER

DO NOT INSTALL YOUR DRYER:

1. In an area exposed to dripping water or outside weather conditions.
2. In an area where it will come in contact with curtains, drapes, or anything that will obstruct the flow of combustion and ventilation air.
3. On carpet. Floor **MUST** be solid with a maximum slope of 1 inch (2.54 cm).

INSTALLATION IN RECESS OR CLOSET

1. A dryer installed in a bedroom, bathroom, recess or closet, **MUST** be exhausted outdoors.
2. No other fuel burning appliance shall be installed in the same closet as the Gas dryer.
3. Your dryer needs the space around it for proper ventilation.

DO NOT INSTALL YOUR DRYER IN A CLOSET WITH A SOLID DOOR.

4. A minimum of 120 square inches (774.2 square cm) of opening, equally divided at the top and bottom of the door, is required. Air openings are required to be unobstructed when a door is installed. A louvered door with equivalent air openings for the full length of the door is acceptable.

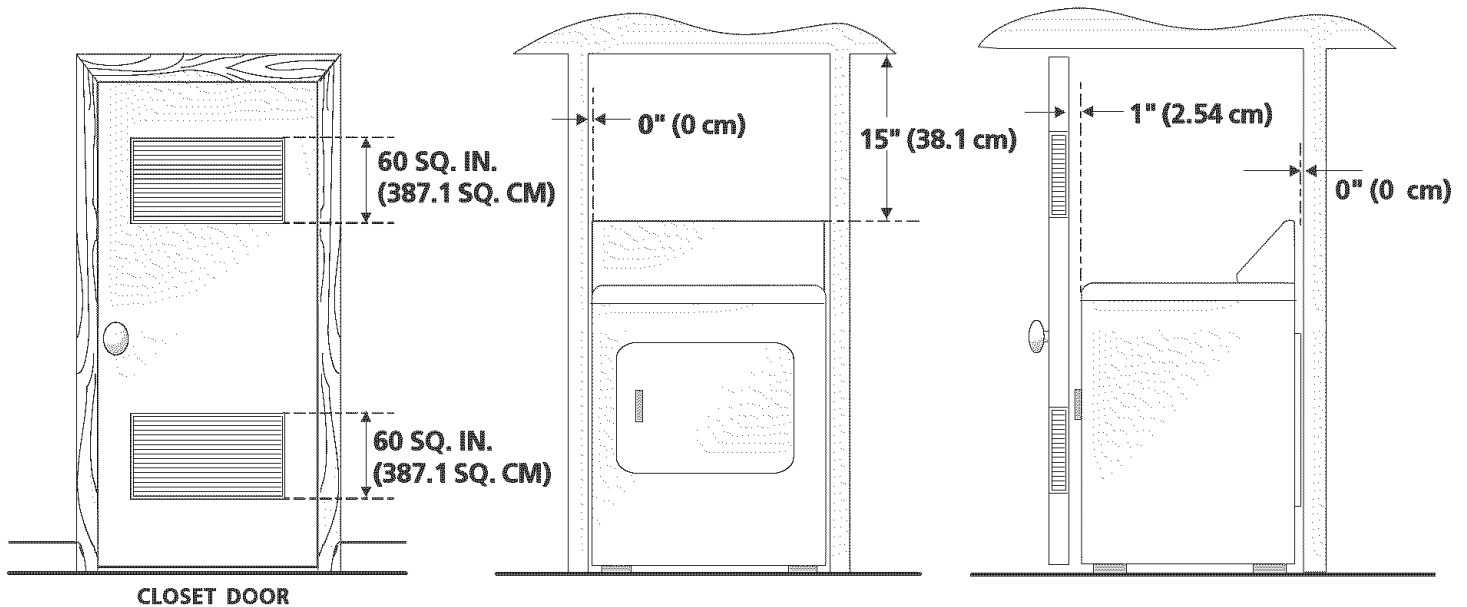
MINIMUM INSTALLATION CLEARANCES (Inches)

	FRONT	SIDES	REAR	TOP
Alcove or Under counter	0 (0 cm)	0 (0 cm)	0 (0 cm)	15 (38.1 cm)
Closet	1 (2.54 cm)	0 (0 cm)	0 (0 cm)	15 (38.1 cm)

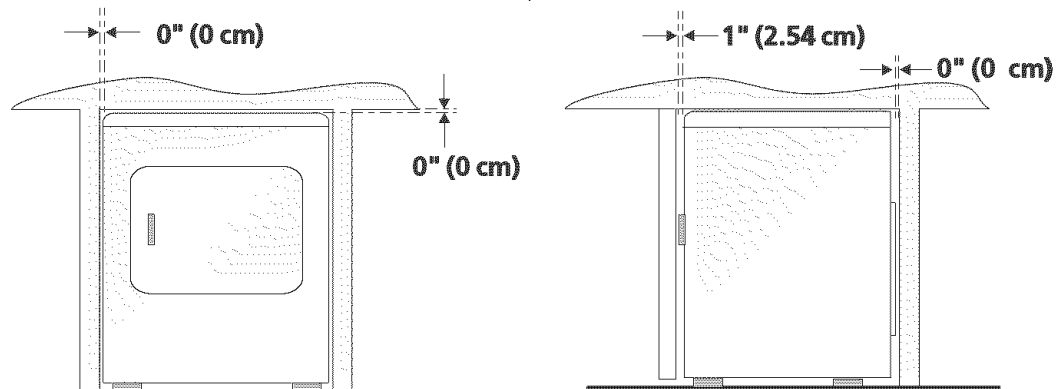
Closet door ventilation required: 2 louvered openings each 60 square inches (387 square centimeters) — 3 inches (7.6 cm) from bottom and top of door.

THIS DRYER MUST BE EXHAUSTED OUTDOORS.

5. The following illustrations show minimum clearance dimensions for proper operation in a recess or closet installation.



NOTE: Under counter and stack models - 0 inches (0 cm) for sides, rear, and top.



UNDER COUNTER INSTALLATION

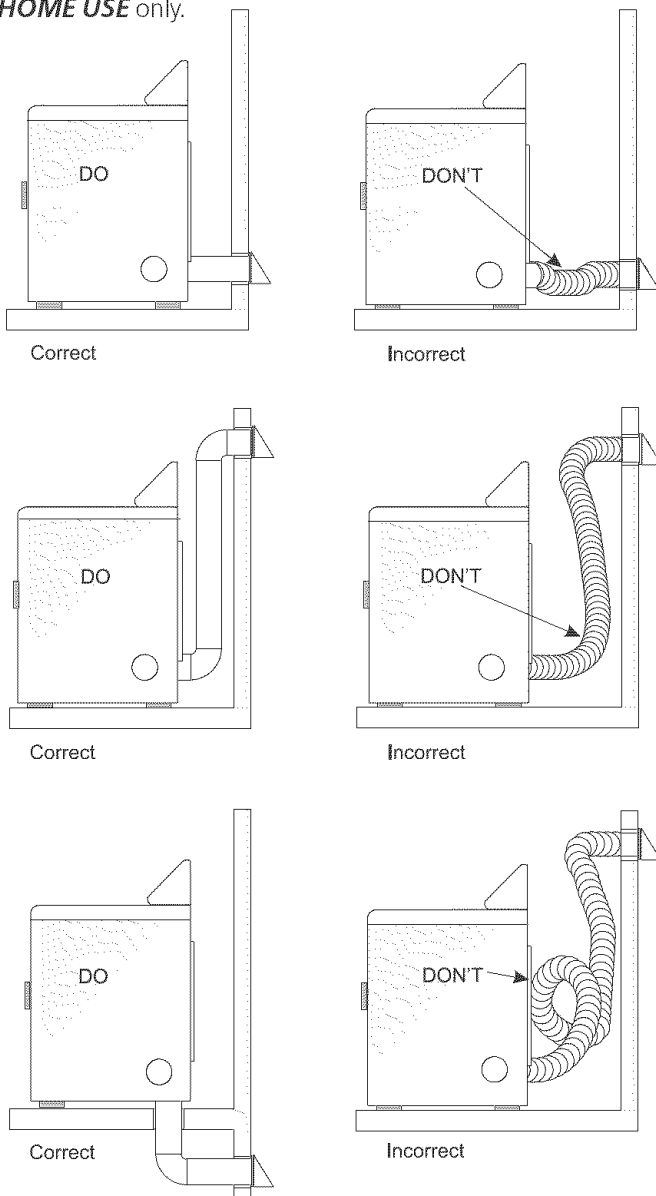
If an under counter* installation is desired, the dryer **MUST** have a top sheet kit installed, P/N 131629100. Kit is available from an authorized parts distributor.

*Custom-sized countertop is required.

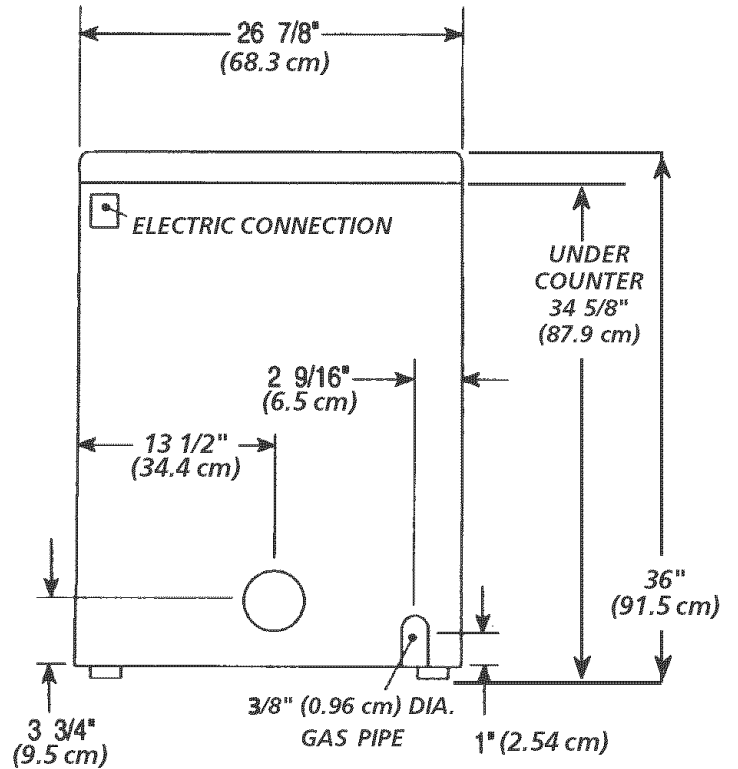
MOBILE HOME INSTALLATION

1. Dryer **MUST** be exhausted outside (outdoors, not beneath the mobile home) using metal ducting that will not support combustion. Metal ducting must be 4 inches (10.16 cm) in diameter with no obstructions. Rigid metal duct is preferred.
2. If dryer is exhausted through the floor and area beneath the mobile home is enclosed, the exhaust system **MUST** terminate outside the enclosure with the termination securely fastened to the mobile home structure.
3. When installing a gas dryer into a mobile home, a provision must be made for outside make up air. This provision is to be not less than twice the area of the dryer exhaust outlet.
4. This dryer **MUST** be fastened to the floor. Mobile Home Installation Kit No. 169840 is available from your dealer.
5. Refer to pages 2 and 3 for other important venting requirements.
6. Installation **MUST** conform to current Manufactured Home Construction & Safety Standard (which is a Federal Regulation Title 24 CFR-Part 32-80) or when such standard is not applicable, with American National Standard for Mobile Homes. In Canada, the CSA Z240 is applicable.

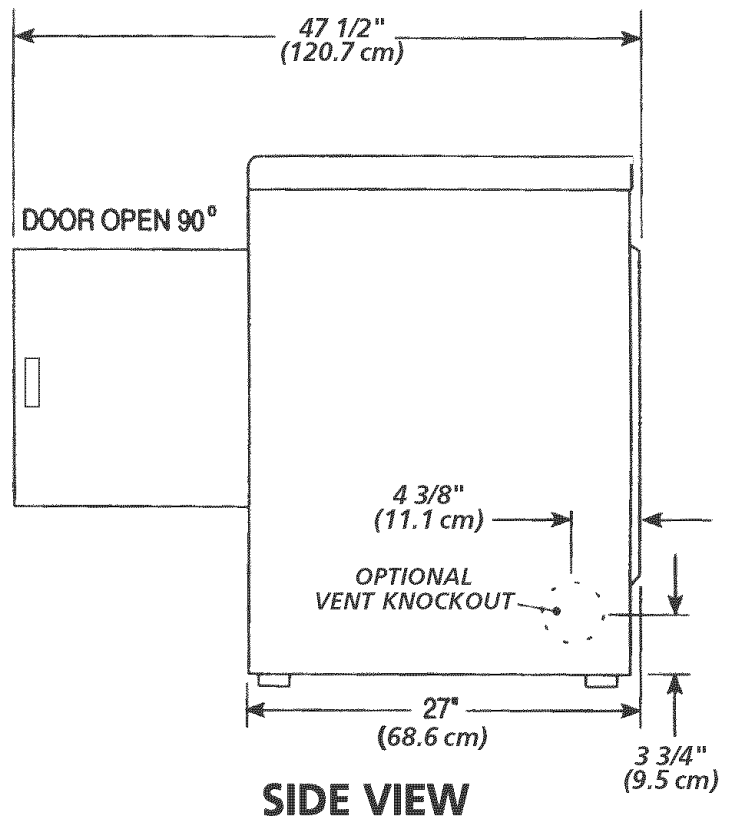
⚠ WARNING The dryer is designed under ANSI Z 21.5.1 for **HOME USE** only.



UNDER COUNTER & STACK MODELS ROUGH-IN DIMENSIONS

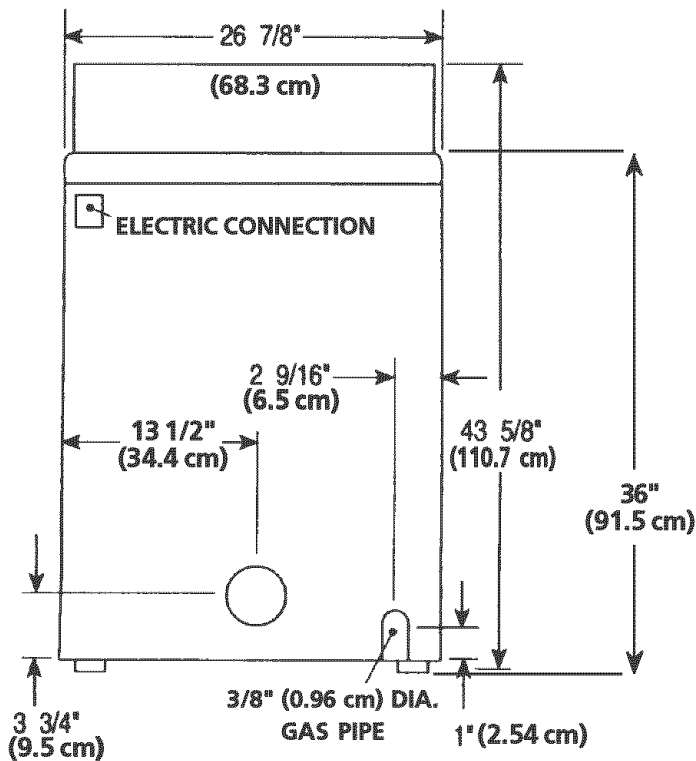


REAR VIEW

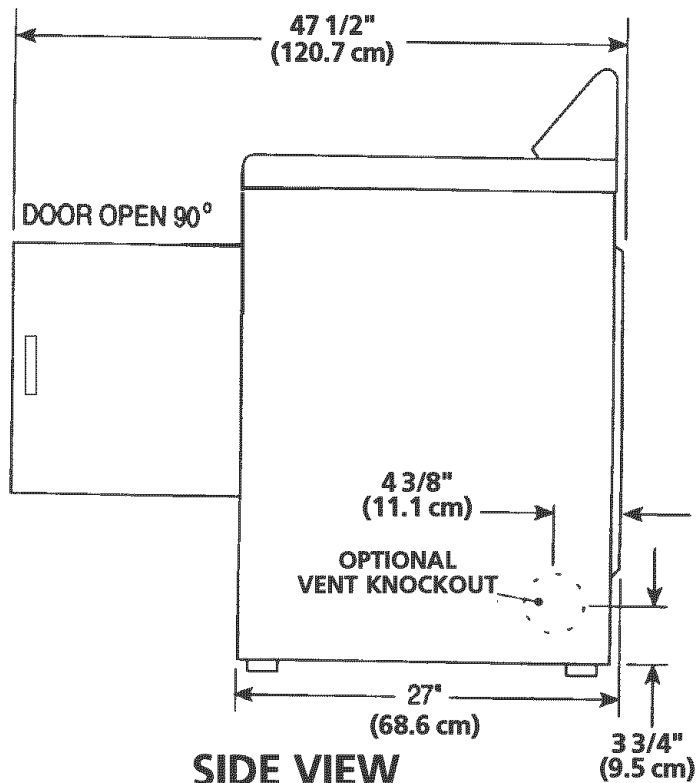


SIDE VIEW

TOP CONSOLE MODELS ROUGH-IN DIMENSIONS



REAR VIEW



SIDE VIEW

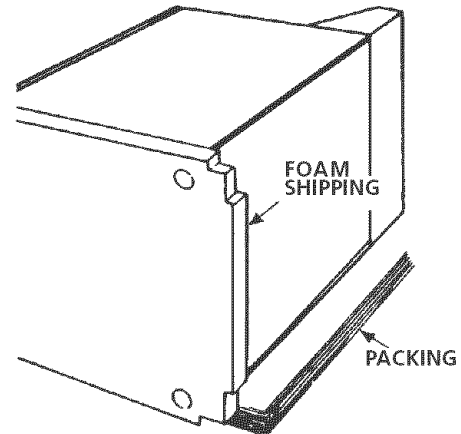
UNPACKING

- Using the four shipping carton corner posts (two on each side), carefully lay the dryer on its left side and remove foam shipping base.

CAUTION To prevent damage, do not use the control panel as a means to pick up or move the dryer.

NOTE: On under counter model clothes dryers, the top panel may be removed for installation.

- Return the dryer to an upright position.

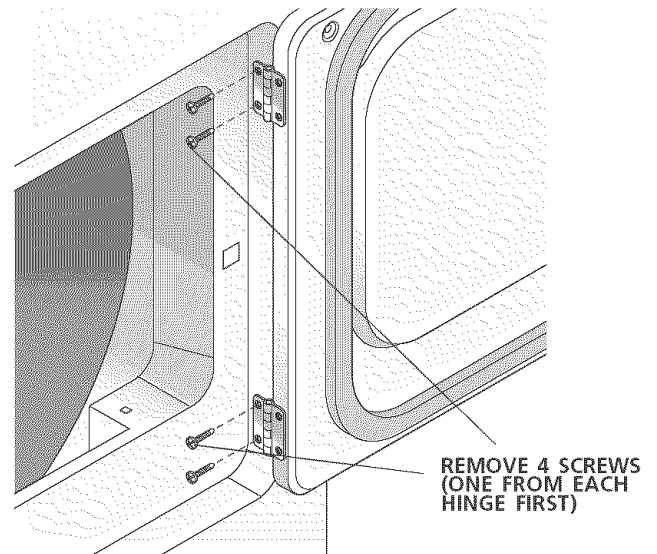


REVERSING DOOR SWING

Your dryer is designed so the door swing may be reversed at any time without additional parts. Conversion is accomplished by transferring hinges to the opposite side of the cabinet.

To change the direction of the door opening:

- Open the dryer door. Remove the four hinge hole plugs from the left side of the door opening. Place nearby for future installation. **NOTE:** You may need a plastic knife to help pull out the plugs. Be careful not to scratch the paint.
- Remove the four screws that secure the door hinges to the dryer front panel (see below). **NOTE:** Remove one screw from each of the two hinges first. Hold the door firmly before removing the last two screws.
- Rotate the door 180° and reinstall the door hinges to the dryer front panel with the four screws.
- Install the four hinge hole plugs in the open screw holes on the right side of the door opening.



ELECTRICAL INSTALLATION

ALL ELECTRIC Dryers

⚠ WARNING The following are specific requirements for proper and safe electrical installation of your dryer. Failure to follow these instructions can create electrical shock and/or a fire hazard.

⚠ This appliance **MUST** be properly grounded. Electrical shock can result if the dryer is not properly grounded. Follow the instructions in this manual for proper grounding.

⚠ Do not use an extension cord with this dryer. Some extension cords are not designed to withstand the amounts of electrical current this dryer utilizes and can melt, creating electrical shock and/or fire hazard. Locate the dryer within reach of the receptacle for the length power cord to be purchased, allowing some slack in the cord. Refer to the pre-installation requirements in this manual for the proper power cord to be purchased.

⚠ A U.L. approved strain relief must be installed onto power cord. If the strain relief is not attached, the cord can be pulled out of the dryer and can be cut by any movement of the cord, resulting in electrical shock.

⚠ Do not use an aluminum wired receptacle with a copper wired power cord and plug (or vice versa). A chemical reaction occurs between copper and aluminum and can cause electrical shorts. **The proper wiring and receptacle is a copper wired power cord with a copper wired receptacle.**

NOTE: Dryers operating on 208 volt power supply will have longer drying times than operating on 240 volt power supply.

GROUNDING REQUIREMENTS

Non-Canadian ELECTRIC Dryer

⚠ DANGER Improper connection of the equipment grounding conductor can result in a risk of electrical shock. Check with a licensed electrician if you are in doubt as to whether the appliance is properly grounded.

For a grounded, cord-connected dryer:

1. The dryer **MUST** be grounded. In the event of a malfunction or breakdown, grounding will reduce the risk of electrical shock by a path of least resistance for electrical current.
2. If your dryer is equipped with a power supply cord having an equipment-grounding conductor and a grounding plug, the plug **MUST** be plugged into an appropriate, copper wired receptacle that is properly installed and grounded in accordance with all local codes and ordinances. If in doubt, call a licensed electrician. **Do not modify plug provided with the appliance.**

For a permanently connected dryer:

1. The dryer **MUST** be connected to a grounded metal, permanent wiring system; or an equipment grounding conductor must be run with the circuit conductors and connected to the equipment-grounding terminal or lead on the appliance.

Canadian ELECTRIC Dryer

⚠ DANGER Improper connection of the equipment grounding conductor can result in a risk of electrical shock. Check with a licensed electrician if you are in doubt as to whether the appliance is properly grounded.

For a grounded, cord-connected dryer:

1. The dryer must be grounded. In the event of a malfunction or breakdown, grounding will reduce the risk of electrical shock by a path of least resistance for electrical current.

2. Since your dryer is equipped with a power supply cord having an equipment-grounding conductor and a grounding plug, the plug must be plugged into an appropriate outlet that is properly installed and grounded in accordance with all local codes and ordinances. If in doubt, call a licensed electrician.

ALL GAS Dryers

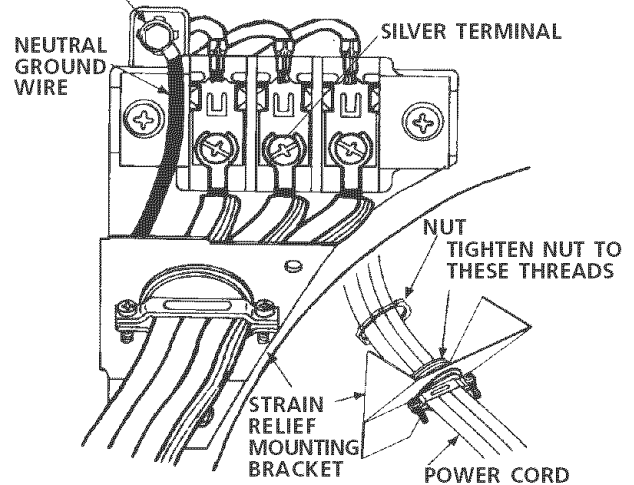
1. The laundry center is equipped with a three-prong (grounding) plug for your protection against shock hazard and should be plugged directly into a properly grounded three-prong receptacle. Do not cut or remove the grounding prong from the plug.

ELECTRICAL CONNECTIONS FOR 3-WIRE SYSTEM

Non-Canadian ELECTRIC Dryer

1. Remove the screws securing the terminal block access cover and the strain relief mounting bracket located on the back of the dryer upper corner.
2. Install a U.L. approved strain relief into the power cord entry hole of the mounting bracket. Finger tighten the nut only at this time.

GREEN GROUND SCREW

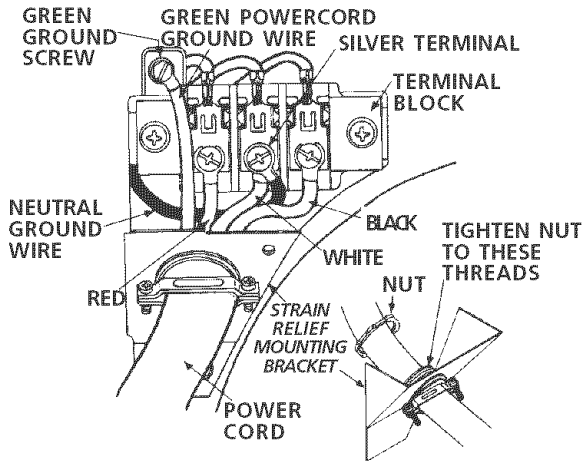


3. Thread a U.L. approved 30 amp. power cord, NEMA 10-30 Type SRDT, through the strain relief.
 4. Attach the power cord neutral (center wire) conductor to the silver colored center terminal on the terminal block. Tighten the screw securely.
 5. Attach the remaining two power cord outer conductors to the outer brass colored terminals on the terminal block. Tighten both screws securely.
- ⚠ WARNING** Do not make a sharp bend or crimp wiring/ conductor at connections.
6. Reattach the strain relief mounting bracket to the back of the dryer with two screws. Tighten screws securely.
 7. Tighten the screws securing the cord restraint firmly against the power cord.
 8. Tighten the strain relief nut securely so that the strain relief does not turn.
 9. Reinstall the terminal block cover.

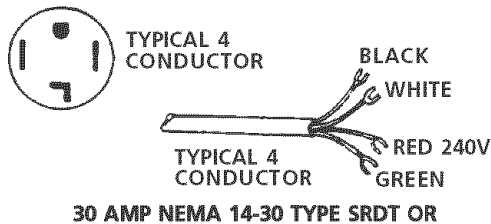
ELECTRICAL CONNECTIONS FOR 4-WIRE SYSTEM

Non-Canadian *ELECTRIC* Dryer

1. Remove the screws securing the terminal block access cover and the strain relief mounting bracket located on the back of the dryer upper corner.
2. Install a U.L. approved strain relief in the entry hole of the mounting bracket. Finger tighten the nut only at this time.



3. Remove the ground wire from the green ground screw located above the terminal block.
4. Thread a U.L. approved 30 amp power cord, NEMA 14-30 type ST or SRDT through the strain relief.



5. Attach the green power cord ground wire to the cabinet with the green ground screw.
6. Attach the white (neutral) power cord conductor from the power cord and the neutral ground wire from the dryer harness to the silver-colored center terminal on the terminal block. Tighten the screw securely.
7. Attach the red and black power cord conductors to the outer brass-colored terminals on the terminal block.

⚠ WARNING Do not make a sharp bend or crimp wiring/ conductor at the connections.

8. Tighten the screws securing the cord restraint firmly against the power cord.
9. Tighten the strain relief nut securely so the strain relief does not turn.
10. Reinstall the terminal block access cover.

INSTALLATION

1. GAS CONNECTION (*Gas dryers only*)

- a. Remove the shipping cap from gas pipe at the rear of the dryer.

NOTE: **DO NOT** connect the dryer to L.P. gas service without converting the gas valve. An L.P. conversion kit must be installed by a qualified gas technician.

- b. Connect a 1/2 inch (1.27 cm) I.D. semi-rigid or approved pipe from gas supply line to the 3/8 inch (0.96 cm) pipe located on the back of the dryer. Use a 1/2 inch to 3/8 inch (1.27 cm to 0.96 cm) reducer for a connection. Apply an approved thread sealer that is resistant to the corrosive action of liquefied gases on all pipe connections.
- c. Open the shutoff valve in the gas supply line.
- d. Test all connections by brushing on a soapy water solution. **NEVER TEST FOR GAS LEAKS WITH AN OPEN FLAME.**

2. Connect the exhaust duct to outside exhaust system. Use duct tape to seal all joints.
3. With the dryer in its final position, adjust one or more of the legs until the dryer is resting solid on all four legs. Place a level on top of the dryer. **THE DRYER MUST BE LEVEL AND RESTING SOLID ON ALL FOUR LEGS.**
4. Plug the power cord into a grounded outlet. **NOTE:** Check to ensure the power is off at circuit breaker/fuse box before plugging the power cord into the outlet.
5. Turn on the power at the circuit breaker/fuse box.

⚠ CAUTION Before operating the dryer, make sure the dryer area is clear and free from combustible materials, gasoline, and other flammable vapors. Also see that nothing (such as boxes, clothing, etc.) obstructs the flow of combustion and ventilation air.

6. Run the dryer through a cycle check for proper operation. **NOTE:** On gas dryers, before the burner will light, it is necessary for the gas line to be bled of air. If the burner does not light within 45 seconds the first time the dryer is turned on, the safety switch will shut the burner off. If this happens, turn the timer to "OFF" and wait 5 minutes before making another attempt to light.

7. If your dryer does not operate, please review the "Avoid Service Checklist" located in your Owner's Guide before calling for service.
8. Place these instructions in a location near the dryer for future reference.

NOTE: A wiring diagram is located inside the dryer console or under the top panel.

REPLACEMENT PARTS

If replacement parts are needed for your dryer, contact the source where you purchased your dryer.

⚠ CAUTION Label all wires prior to disconnection when servicing controls. Wiring errors can cause improper and dangerous operation. Verify proper operation after servicing.

⚠ WARNING Destroy the carton and plastic bags after the dryer is unpacked. Children might use them for play. Cartons covered with rugs, bedspreads, or plastic sheets can become airtight chambers causing suffocation. Place all materials in a garbage container or make materials inaccessible to children.

⚠ WARNING The instructions in this manual and all other literature included with this dryer are not meant to cover every possible condition and situation that may occur. Good safe practice and caution **MUST** be applied when installing, operating and maintaining any appliance.

Table des matières

SUJET	PAGE
Avant l'installation	9
Installation électrique	9
Évacuation de l'air	9-10
Alimentation en gaz	10
Emplacement de la sècheuse	11
Installation dans une maison mobile	12
Dimensions de l'emplacement	12-13
Déballage	13
Porte Réversible	13
Installation électrique	14
Mise à la terre	14
Branchement électrique - 3 fils	14
Branchement électrique - 4 fils	15
Installation	15
Pièces de rechange	15

AVANT L'INSTALLATION

Outils et matériel requis pour l'installation :

1. Tournevis à pointe cruciforme
2. Pincés multiprise
3. Niveau de menuisier
4. Tournevis à pointe plate ou à lame droite
5. Ruban adhésif pour conduites
6. Conduite en métal rigide ou flexible de 10,2 cm (4 po)
7. Grille de sortie
8. Pâte à joint pour conduites (modèle à gaz)
9. Couteau à mastic en plastique

INSTALLATION ÉLECTRIQUE

Sècheuses ÉLECTRIQUES

CIRCUIT - Dérivation distincte de 30 A avec fusibles à retardement ou disjoncteurs d'au 30 A.

Utilisez des circuits avec un disjoncteur ou fusible séparé pour les machines à laver et sècheuses, et NE PAS faire fonctionner une machine à laver et une sècheuse sur un même circuit.

ALIMENTATION ÉLECTRIQUE - 3 fils, 240 volts, une phase, 60 Hz, courant alternatif. (Canada - 240 volts, une phase, 60 Hz, courant alternatif.)

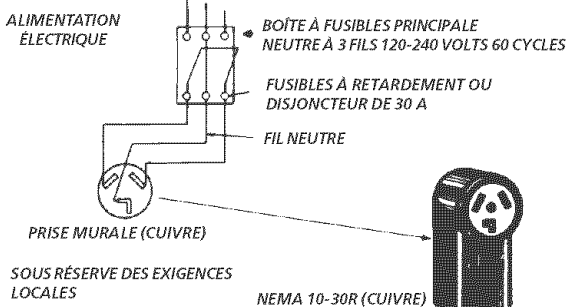
CORDON D'ALIMENTATION ÉLECTRIQUE - La sècheuse **DOIT** être reliée à un cordon d'alimentation électrique à 3 conducteurs NEMA 10-30 de type SRDT d'une capacité minimale de 240 volts, courant alternatif, 30 A, avec fiche en L à 3 broches pleines ou repliées conçue pour le branchement d'une sècheuse.

AVERTISSEMENT – Risque de choc électrique. Un appareil mis à la terre à l'aide d'un lien ou câble conducteur neutre. La mise à la terre à l'aide d'un conducteur ou câble neutre est interdite dans les cas suivants : (1) les installations de nouveau circuit déviré (2) les maisons mobiles (3) les véhicules récréatifs ou caravanes et (4) les régions où les codes locaux interdisent la mise à la terre à l'aide d'un câble ou conducteur neutre. (1) Débranchez le conducteur ou câble du neutre, (2) utilisez la borne de mise à la terre ou le câble de mise à la terre de l'appareil conformément aux codes locaux et (3) connectez ou branchez la borne neutre ou le câble au neutre du circuit déviré de la manière habituelle (si l'appareil doit être connecté à l'aide d'un cordon, utilisez un cordon à 4 câbles ou fils pour ce faire). **N'UTILISEZ QUE DES CÂBLES OU FILS EN CUIVRE.**

Elle **DOIT** être reliée à un cordon d'alimentation électrique à 4 conducteurs NEMA 14-30 de type SRDT ou ST (au besoin) d'une capacité minimale de 240 volts, courant alternatif, 30 A, avec fiche en L à 4 broches pleines ou repliées conçue pour le branchement d'une sècheuse. Se reporter à la section BRANCHEMENT ÉLECTRIQUE D'UNE INSTALLATION À 4 FILS.

(Canada - Cordon d'alimentation à 4 fils branché à la sècheuse.

PRISE - Prise NEMA 10-30R située de façon à ce que le cordon d'alimentation électrique soit accessible une fois la sècheuse en place. (Canada - prise NEMA de 14-30R.)



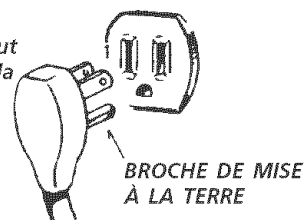
Sècheuses à GAZ

CIRCUIT - Dérivation distincte de 15 A avec fusible à retardement ou disjoncteur d'au plus 15 A.

ALIMENTATION ÉLECTRIQUE - 3 fils, 120 volts, une phase, 60 Hz, courant alternatif.

CORDON D'ALIMENTATION ÉLECTRIQUE - La sècheuse est pourvue d'un cordon d'alimentation électrique à 3 fils de 120 volts.

REMARQUE : Il ne faut en aucun cas retirer la broche de mise à la terre de la fiche.



ÉVACUATION DE L'AIR

Utiliser uniquement une conduite en métal rigide ou flexible de 10,2 cm (4 po) de diamètre (minimum) ainsi qu'une grille de sortie approuvée pourvue de clapets qui s'ouvrent lorsque la sècheuse fonctionne. Quand la sècheuse s'arrête, les clapets se ferment automatiquement pour éviter les courants d'air et l'entrée d'insectes ou de rongeurs. Afin de ne pas obstruer l'évacuation de l'air, laisser une distance minimum de 30,5 cm (12 po) entre la grille de sortie et le sol ou tout autre obstacle.

AVERTISSEMENT Les mises en garde qui suivent se rapportent **directement au fonctionnement correct et sécuritaire de la sècheuse. Toute dérogation à ces mises en garde pourrait ralentir le séchage et entraîner des risques d'incendie.**

⚠ Ne pas utiliser de conduites en plastique flexible pour évacuer l'air de la sècheuse. Une quantité excessive de charpie pourrait s'accumuler dans la conduite d'évacuation, ce qui réduirait la circulation de l'air et présenterait un risque d'incendie. Toute obstruction de la circulation de l'air ralentit le séchage. Si la conduite existante est en plastique ou en papier métallique, la remplacer par une conduite en métal rigide ou flexible. **S'assurer qu'il n'y a pas de charpie dans la conduite existante avant d'installer la conduite de la sècheuse.**

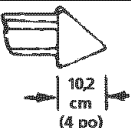

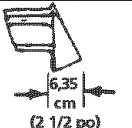
⚠ – Risque d'incendie – Une sècheuse à linge produit de la charpie combustible. Si l'air n'était pas repoussé à l'extérieur de la maison, de petites particules de charpie se retrouveraient dans la pièce où est installée la sècheuse. Toute accumulation de charpie dans la maison peut présenter des risques pour la santé et des risques d'incendie. **La sècheuse doit être connectée à une bouche d'évacuation vers l'extérieur du bâtiment ou de l'immeuble.** Vous devez inspecter régulièrement l'évent extérieur et enlever toute accumulation de charpie autour de l'évent et dans la cavité du conduit d'évacuation.

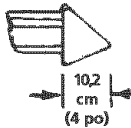

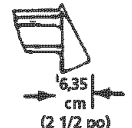
⚠ Ne laisser aucun matériau inflammable (comme des vêtements, des tentures, des rideaux ou du papier) entrer en contact avec les conduits d'évacuation. L'air de la sècheuse **NE DOIT PAS** être évacué dans une cheminée, un mur, un plafond ni tout espace fermé d'un bâtiment où la charpie pourrait s'accumuler et présenter un risque d'incendie.

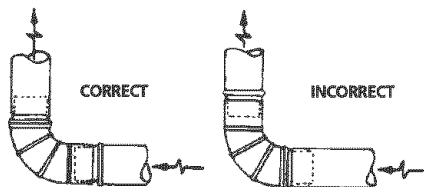
⚠ Augmenter la longueur du conduit rigide ou le nombre de coudes permis au tableau «LONGUEUR MAXIMUM» risque de réduire la capacité d'évacuation du circuit. Obstruer le circuit peut créer un risque d'incendie et augmenter le temps de séchage.

⚠ Ne pas poser de grillage sur l'ouverture extérieure des conduites d'évacuation d'air ni utiliser des vis ou des rivets pour assembler la conduite d'évacuation. De la charpie pourrait s'emprisonner dans le grillage ou sur les vis ou les rivets et ainsi engorger la conduite d'évacuation en plus de présenter un risque d'incendie et de ralentir le séchage. Utiliser une grille de sortie approuvée pour fermer l'ouverture extérieure et sceller tous les joints à l'aide d'un ruban adhésif pour conduites. L'extrémité mâle de chaque composante de la conduite **DOIT** être installée en aval par rapport à la circulation de l'air.

AVERTISSEMENT Risques d'explosion. Ne pas installer la sècheuse à un endroit où l'on garde de la gazoline ou tout autre produit inflammable. Si la sècheuse est installée dans un garage, elle doit être à un minimum de 45,7 cm (18 po) au-dessus du plancher. Toute dérogation pourrait provoquer la mort, l'explosion, l'incendie ou les brûlures.

LONGUEUR MAXIMUM d'une conduite en métal rigide de 10,16 cm (4 po) de diam.			
TYPE DE GRILLE DE SORTIE (Recommandé)			
Nombre de coudes à 90°		à volet 	
	0	18,28 m (60 po)	
1	15,84 m (52 po)		12,19 m (40 po)
2	13,41 m (44 po)		9,75 m (32 po)
3	9,75 m (32 po)		7,31 m (24 po)
4	8,53 m (28 po)		4,87 m (16 po)

LONGUEUR MAXIMUM d'une conduite en métal flexible de 10,16 cm (4 po) de diam.			
TYPE DE GRILLE DE SORTIE (Recommandé)			
Nombre de coudes à 90°		à volet 	
	0	9,14 m (30 po)	
1	6,71 m (22 po)		4,27 m (14 po)
2	4,27 m (14 po)		3,05 m (10 po)
3	NON RECOMMANDÉ		



POSER LES RACCORDS MÂLES DANS LA BONNE DIRECTION

Pour les installations dont le circuit d'évacuation n'est pas décrit dans les tableaux, il faut utiliser la méthode suivante si le circuit d'évacuation n'est pas acceptable:

1. Brancher un manomètre digital ou à tube incliné entre la sècheuse et le raccord d'évacuation de la sècheuse.
2. Régler la minuterie de la sècheuse et la température à air froid (refroidissement) et démarrez la sècheuse.
3. Lire la mesure indiquée au manomètre.
4. La basse pression ne doit pas être supérieure à 0,75 pouce de colonne d'eau. Si la basse pression est inférieure à 0,75 pouce de colonne d'eau, le circuit est acceptable. Si la lecture indique une pression supérieure à 0,75 pouce de colonne d'eau, la capacité du circuit est insuffisante et l'installation inacceptable.

Bien qu'un circuit vertical soit acceptable, certaines circonstances atténuantes peuvent influencer la performance de la sècheuse.

- Il faut utiliser uniquement des conduits rigides en métal.
- Une sortie sur un toit d'un circuit vertical peut exposer celui-

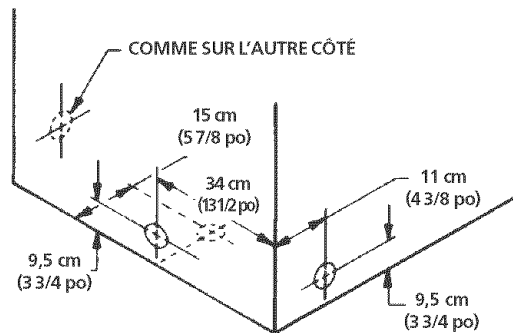
- ci à un contre-tirage et ainsi réduire sa capacité d'évacuation.
- L'isolant que doit traverser un tel circuit peut causer de la condensation et ainsi réduire la capacité d'évacuation du circuit.
- Un circuit d'évacuation comprimé ou ondulant peut voir sa capacité d'évacuation réduite.

Il faut inspecter le circuit d'évacuation et le nettoyer au moins à **tous les 18 mois** d'utilisation normale. Plus la sècheuse est utilisée, plus il faut procéder souvent à une vérification du bon fonctionnement du circuit d'évacuation et du couvercle du registre ou de l'évent.

DIRECTION DE L'ÉVACUATION D'AIR

Toutes les sècheuses empaquetées par l'usine sont conçues de façon à ce que l'évacuation d'air se fasse à l'arrière. Toutefois, dans le cas des sècheuses électriques, l'évacuation d'air peut se faire sur la droite ou sur la gauche du boîtier ou encore, sous la sècheuse. Dans le cas des sècheuses à gaz, l'évacuation d'air peut se faire sur la droite du boîtier ou sous la sècheuse. On peut donc modifier l'orientation de l'évacuation d'air en installant un ensemble d'évacuation d'air n° de pièce 131456800 disponible chez d'un fournisseur de pièces agréé. Suivre les directives qui accompagnent cet ensemble.

EMPLACEMENT DES BOUCHES D'ÉVACUATION



ALIMENTATION EN GAZ

⚠ AVERTISSEMENT Remplacer le tuyau de raccordement en cuivre non recouvert de plastique. Il FAUT utiliser du laiton inoxydable ou recouvert de plastique.

1. L'installation **DOIT** respecter les codes locaux, ou s'il n'existe pas de codes locaux, le code ANSI Z223.1 (l'édition la plus récente) ou au Canada, le Code actuel CAN/CGA B149.
2. La conduite d'alimentation en gaz doit mesurer 1,27 cm (1/2 po).
3. Si les codes le permettent, un tuyau en métal flexible peut être utilisé pour connecter la sècheuse à l'alimentation en gaz. Le tuyau **DOIT** être fabriqué en acier inoxydable ou en cuivre avec un revêtement de plastique.
4. La conduite d'alimentation en gaz **DOIT** comporter un robinet d'arrêt distinct.
5. Une prise de 0,32 cm (1/8 po) NPT accessible pour le branchement d'un manomètre **DOIT** être installée tout juste en amont du branchement de la conduite d'alimentation en gaz sur la sècheuse.
6. La sècheuse **DOIT** être débranchée de la canalisation de gaz pendant toute vérification de pression de l'alimentation en gaz à des pressions qui dépassent 3,45 kPa (1/2 lb/po²).
7. La sècheuse **DOIT** être isolée de la canalisation de gaz pendant toute vérification de pression de l'alimentation en gaz à des pressions égales ou inférieures à 3,45 kPa (1/2 lb/po²).

EMPLACEMENT DE LA SÉCHEUSE

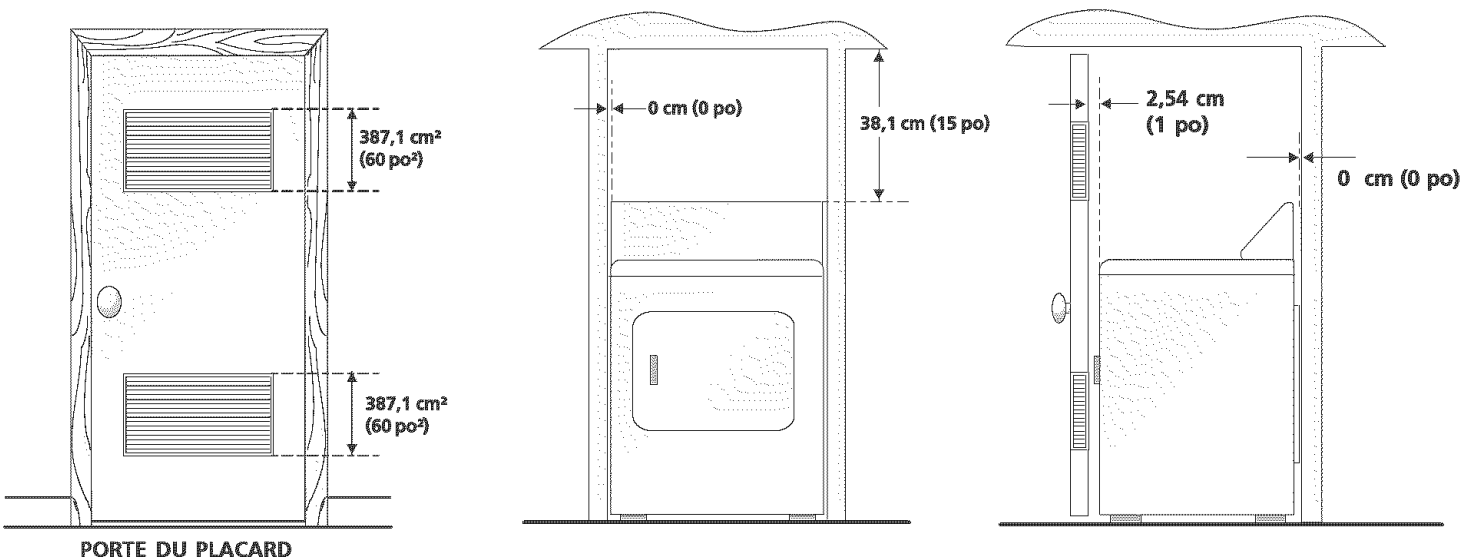
NE PAS INSTALLER LA SÉCHEUSE :

1. Dans un endroit exposé à un écoulement d'eau ou aux conditions atmosphériques.
2. Dans un endroit où elle serait en contact avec des rideaux, draperies ou tout ce qui obstruera le flux d'air de combustion et de ventilation.
3. Sur un tapis. Le plancher **DOIT** être ferme et présenter une pente de 2,54 cm (1 po) au maximum.

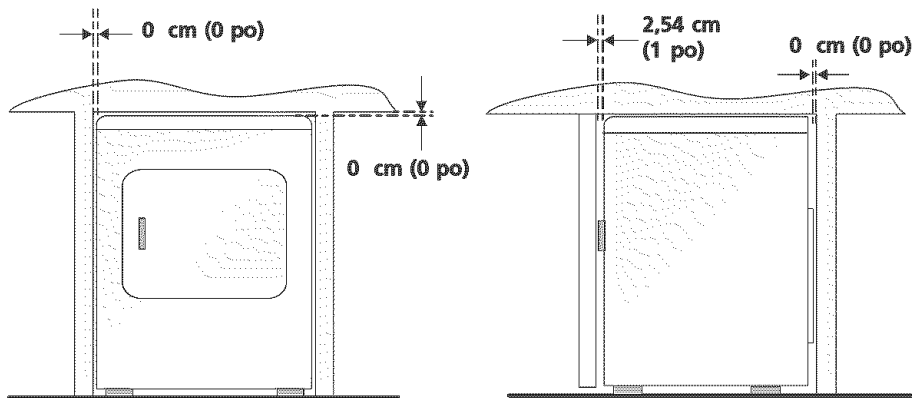
INSTALLATION DANS UNE ALCÔVE OU UN PLACARD

1. Toute sècheuse installée dans une chambre à coucher, une salle de bain, une alcôve ou un placard **DOIT** être reliée à une conduite d'évacuation d'air se terminant à l'extérieur de la maison.
2. Aucun autre appareil brûlant du combustible ne doit être installé dans le même placard que la sècheuse au Gaz.
3. La sècheuse a besoin d'un dégagement suffisant pour permettre la circulation de l'air.

NE PAS INSTALLER LA SÉCHEUSE DANS UN PLACARD POURVU D'UNE PORTE PLEINE.



NOTA: Pour les modèles qui s'installent sous un comptoir et les modèles superposables — 0 cm (0 po) sur les côtés, l'arrière et le dessus.



INSTALLATION SOUS UN COMPTOIR

Si vous désirez effectuer une installation sous un comptoir*, il FAUT installer un ensemble P/N 131629100, une tôle supérieure de carrosserie. Cet ensemble est disponible chez un distributeur de pièces autorisé.

* Un dessus de comptoir sur mesure est nécessaire.

4. Une ouverture minimum de 774,2 cm² (120 po²) répartie également entre le haut et le bas de la porte est requise. Cette ouverture ne doit pas être obstruée lorsque la porte est en place. Une porte à volets dont les ouvertures totalisent la norme décrite ci-dessus est acceptable.

DÉGAGEMENTS MINIMAUX POUR L'INSTALLATION en po (cm)

	D'AVANT	CÔTÉS	ARRIÈRE	DESSUS
Alcôve ou sous un comptoir	0 (0)	0 (0)	0 (0)	15 (38,1)
Armoire	1 (2,54)	0 (0)	0 (0)	15 (38,1)

Aération nécessaire dans la porte de l'armoire: 2 ouvertures à persiennes de 60 pouces carrés (387 cm carrés) chacun - à 3 pouces (7,6 cm) du bas et du haut de la porte.

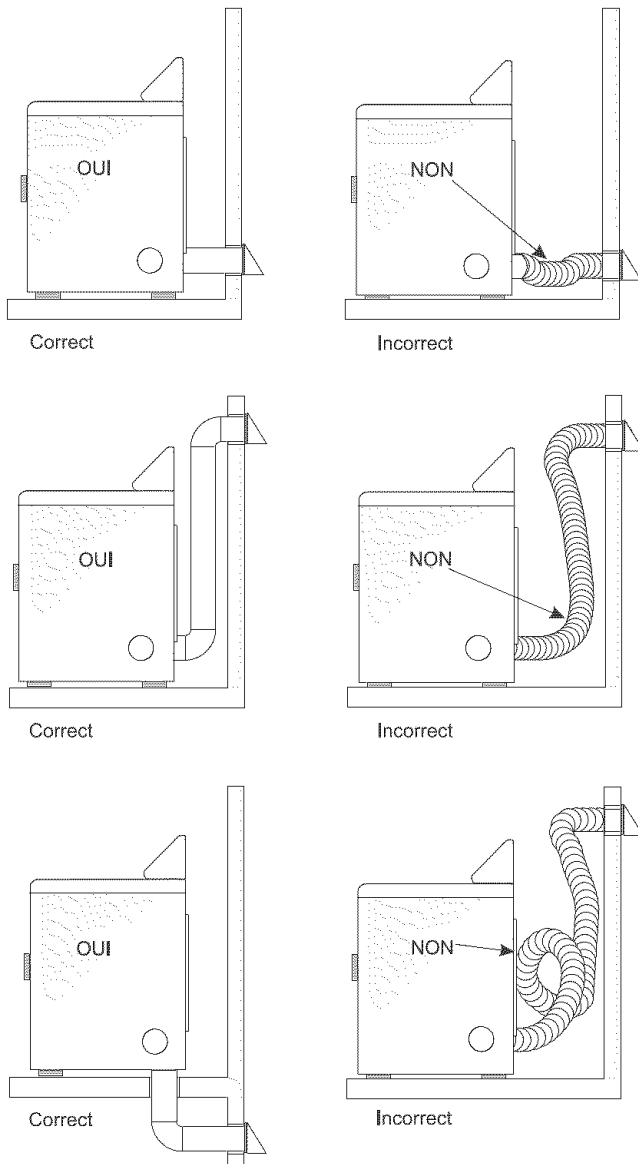
L'AÉRATION DE CETTE SÉCHEUSE SE FAIT VERS L'EXTÉRIEUR.

5. Les illustrations qui suivent donnent le dégagement minimum pour une installation dans une alcôve ou un placard.

INSTALLATION DANS UNE MAISON MOBILE

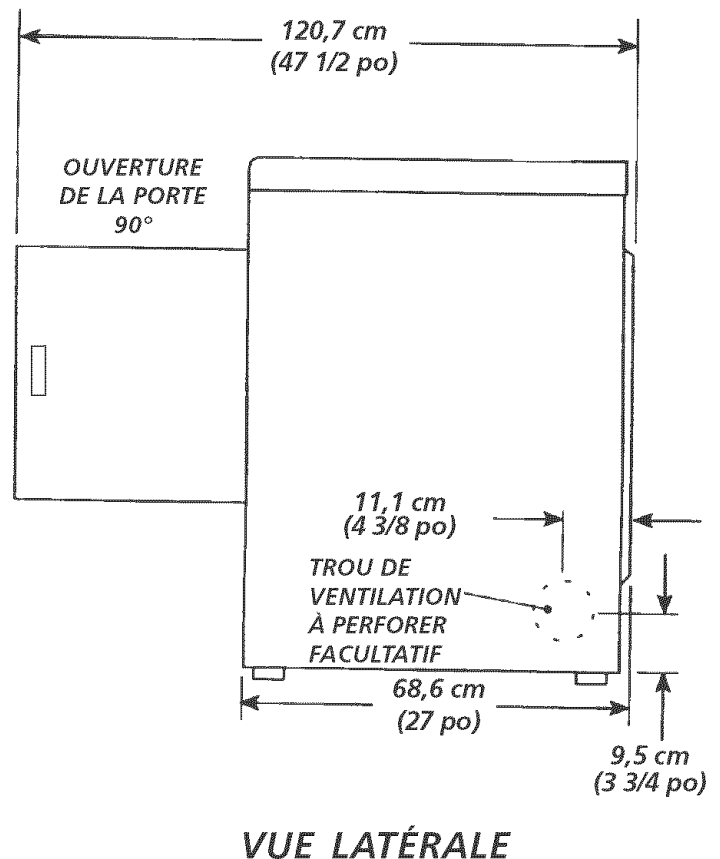
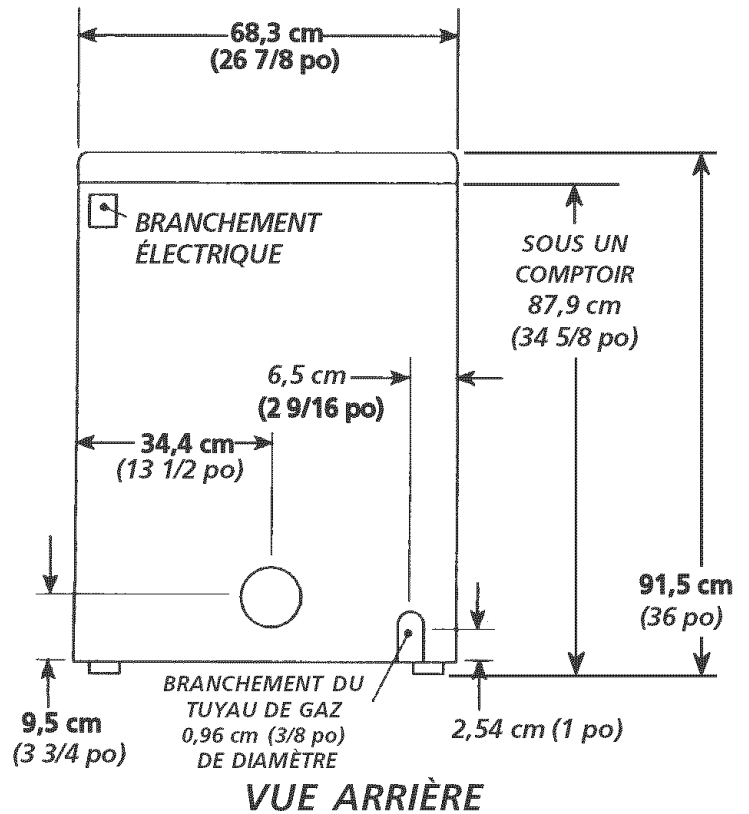
1. L'évacuation d'air de la sècheuse **DOIT** se faire à l'extérieur de la maison (à l'extérieur et non pas au-dessous de la maison mobile) à l'aide de conduit en métal non inflammable, à l'épreuve du feu. Les conduits en métal doivent avoir 10,16 cm (4 pouces) de diamètre sans obstructions. Les conduits en métal rigide sont préférables.
2. Si la conduite d'évacuation d'air traverse le plancher et un espace fermé situé sous la maison mobile, l'évacuation d'air **DOIT** se terminer à l'extérieur de cet espace fermé, et la sortie bien fixée à la structure de la maison mobile.
3. Lors de l'installation d'une sècheuse à gaz dans une maison mobile, il faut prévoir un apport d'air extérieur. L'espace à prévoir doit être supérieur de deux fois celui du conduit d'évacuation de la sècheuse.
4. Cette sècheuse **DOIT** être fixée au plancher. L'ensemble d'installation no. 169840 pour maison mobile est disponible chez votre distributeur.
5. Se référer aux pages 2 et 3 pour de plus amples informations sur les exigences de ventilation.
6. L'installation **DOIT** respecter la norme fédérale sur la construction et la sécurité des maisons mobiles en vigueur (Manufactured Home Construction & Safety Standard) (partie intégrante du règlement fédéral 24 CFR Partie 32-80) ou, lorsque cette norme ne s'applique pas, elle doit respecter la norme nationale américaine pour les maisons mobiles (American National Standard for Mobile Homes). Lorsque l'installation se fait au Canada, elle doit se conformer aux normes ACNOR Z240.

AVERTISSEMENT La sècheuse est conçue conformément à la norme ANSI Z 21.5.1 pour un **USAGE DOMESTIQUE** seulement.



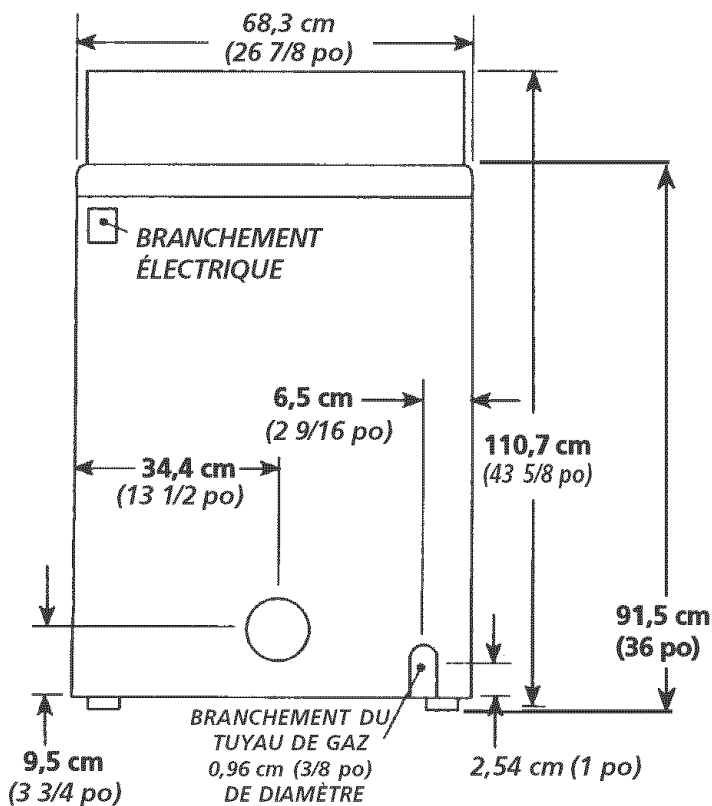
MODELES DE DESSOUS DE COMPTOIR ET SUPERPOSÉS

DIMENSIONS DE L'EMPLACEMENT

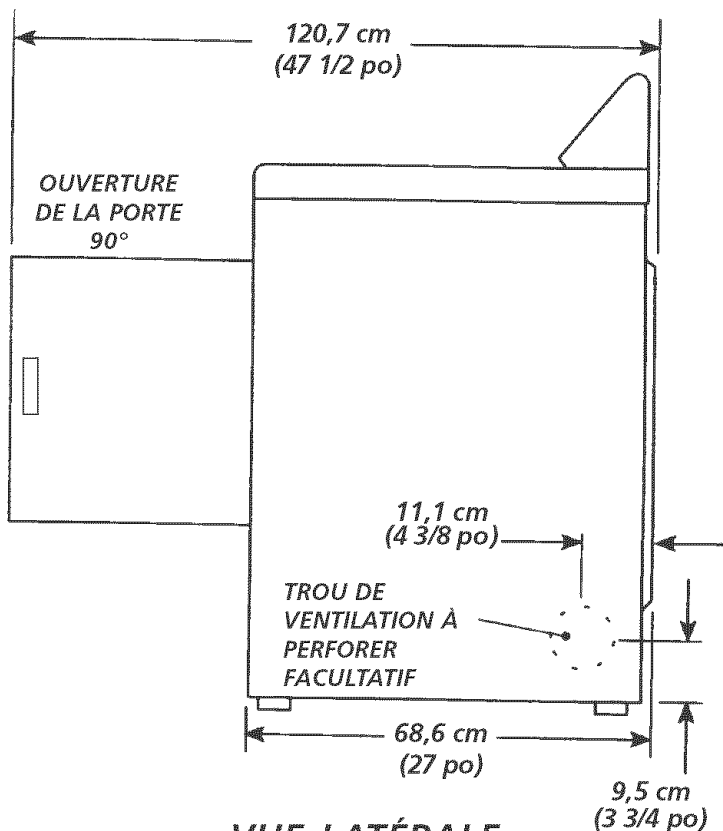


MODELES AUTONOMES AVEC CONSOLE SUPÉRIEURE

DIMENSIONS DE L'EMPLACEMENT



VUE ARRIÈRE



VUE LATÉRALE

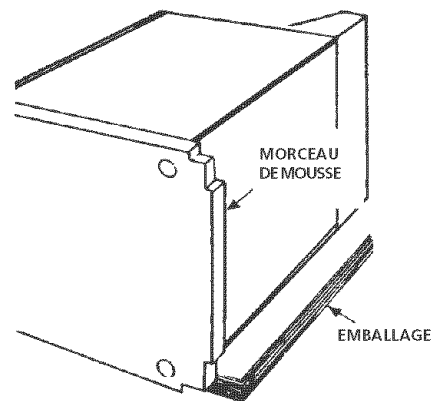
DÉBALLAGE

1. À l'aide des quatre coins de protection de l'emballage (deux sur chaque côté), déposer délicatement la sècheuse sur son côté gauche et retirer le morceau de mousse placé sous la sècheuse pour l'expédition.

ATTENTION Pour ne pas endommager la sècheuse, ne pas prendre prise sur le panneau de commande pour soulever ou déplacer la sècheuse.

REMARQUE : Si la sècheuse doit être installée sous un comptoir, le panneau du dessus peut être démonté pour l'installation.

2. Remettre la sècheuse à la verticale.

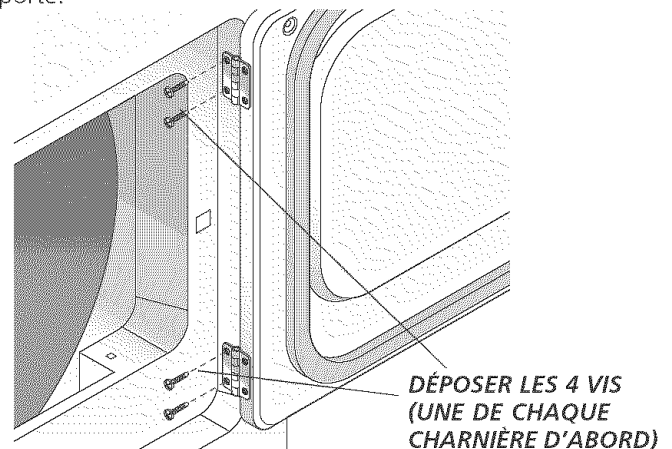


PORTE RÉVERSIBLE

La sècheuse est conçue de façon à ce que l'ouverture de la porte puisse être inversée en tout temps sans que des pièces additionnelles ne soient requises. L'inversion de la porte requiert le transfert des charnières au côté opposé du boîtier.

Pour inverser l'ouverture de la porte:

1. Ouvrir la porte de la sècheuse. Retirer les quatre bouchons de trous de vis du côté gauche de la porte. Les laisser à proximité pour installation future. **NOTA :** Un couteau à mastic en plastique peut s'avérer nécessaire pour retirer les bouchons de trous de vis. Veiller à ne pas égratigner la peinture.
2. Retirer les quatre vis fixant les charnières de la porte au panneau avant de la sècheuse (voir ci-dessous). **NOTA :** Retirer d'abord une vis dans chacune des deux charnières. Tenir la porte fermement avant de dévisser les deux dernières vis.
3. Tourner la porte à un angle de 180° et reposer les charnières de porte au panneau avant de la sècheuse avec les quatre vis.
4. Poser les quatre bouchons de trous de vis du côté droit de la porte.



**DÉPOSER LES 4 VIS
(UNE DE CHAQUE
CHARNIÈRE D'ABORD)**

INSTALLATION ÉLECTRIQUE

TOUTES les sècheuses ÉLECTRIQUES

⚠ AVERTISSEMENT Les mises en garde qui suivent se rapportent directement au branchement électrique correct et sécuritaire de la sècheuse. Toute dérogation à ces mises en garde pourrait entraîner des risques choc électrique et d'incendie.

⚠ Cet appareil **DOIT** être convenablement mis à la terre. La sècheuse présenterait des risques choc électrique si elle n'était pas convenablement mise à la terre. Respecter les directives de mise à la terre contenues dans cette notice pour une mise à la terre correcte.

⚠ Ne pas utiliser de cordon de rallonge avec cette sècheuse. Certains cordons de rallonge ne sont pas conçus pour supporter l'intensité du courant qu'utilise cette sècheuse; ils peuvent fondre et présenter un risque choc électrique ou d'incendie. Placer la sècheuse à portée de la prise murale afin de déterminer la longueur du cordon à acheter et prévoir un certain jeu dans la longueur du cordon. Se reporter à la section «Avant l'installation» de cette notice pour savoir quel type de cordon acheter.

⚠ Un détendeur approuvé par U.L. doit être fixé au cordon d'alimentation. Si le détendeur n'était pas présent, le cordon pourrait être arraché de la sècheuse ou coupé par tout type de mouvement, ce qui présenterait un risque choc électrique.

⚠ Ne pas utiliser une prise à conducteurs en aluminium avec un cordon ou une prise à conducteurs en cuivre (ni l'inverse). Une réaction chimique se produit entre le cuivre et l'aluminium qui pourrait causer un court-circuit. **Il faut utiliser un cordon d'alimentation à conducteurs en cuivre avec une prise à conducteurs en cuivre.**

REMARQUE : Les sècheuses qui fonctionnent avec une alimentation de 208 volts auront un temps de séchage plus long que celles qui utilisent une alimentation de 240 volts.

MISE À LA TERRE

Sècheuses ÉLECTRIQUES non-canadiennes

⚠ DANGER Le branchement inadéquat du conducteur de mise à la terre pourrait présenter un risque choc électrique. En cas de doute quant à la mise à la terre adéquate de l'appareil, contacter un électricien agréé.

Pour brancher et mettre à la terre la sècheuse à l'aide d'un cordon d'alimentation :

1. La sècheuse **DOIT** être mise à la terre. En cas de mauvais fonctionnement ou de panne, la mise à la terre réduit les risques choc électrique en offrant un parcours de moindre résistance au courant.
2. Si la sècheuse est pourvue d'un cordon d'alimentation électrique comportant un conducteur et une fiche de terre, la fiche **DOIT** être branchée dans une prise murale à conducteur en cuivre convenablement raccordée au réseau et mise à la terre conformément à tous les codes et ordonnances locaux. En cas de doute, contacter un électricien agréé. **Ne modifiez pas la prise équipée d'appareil.**

Pour brancher la sècheuse en permanence :

1. La sècheuse **DOIT** être branchée à une installation métallique mise à la terre en permanence; sinon, un conducteur de mise à la terre de l'appareil doit suivre les conducteurs du circuit et être branché à la borne ou à la connexion de mise à la terre de l'appareil.

Sècheuses ÉLECTRIQUES canadiennes

⚠ DANGER Le branchement inadéquat du conducteur de mise à la terre pourrait présenter un risque choc électrique. En cas de doute quant à la mise à la terre adéquate de l'appareil, contacter un électricien agréé.

Pour brancher et mettre à la terre la sècheuse à l'aide d'un cordon d'alimentation :

1. La sècheuse doit être mise à la terre. En cas de mauvais fonctionnement ou de panne, la mise à la terre réduit les risques choc électrique en offrant un parcours de moindre résistance au courant.

2. Puisque la sècheuse est pourvue d'un cordon d'alimentation électrique comportant un conducteur et une fiche de terre, la fiche doit être branchée dans une prise murale à conducteur en cuivre convenablement raccordée au réseau et mise à la terre conformément à tous les codes et ordonnances locaux. En cas de doute, contacter un électricien agréé.

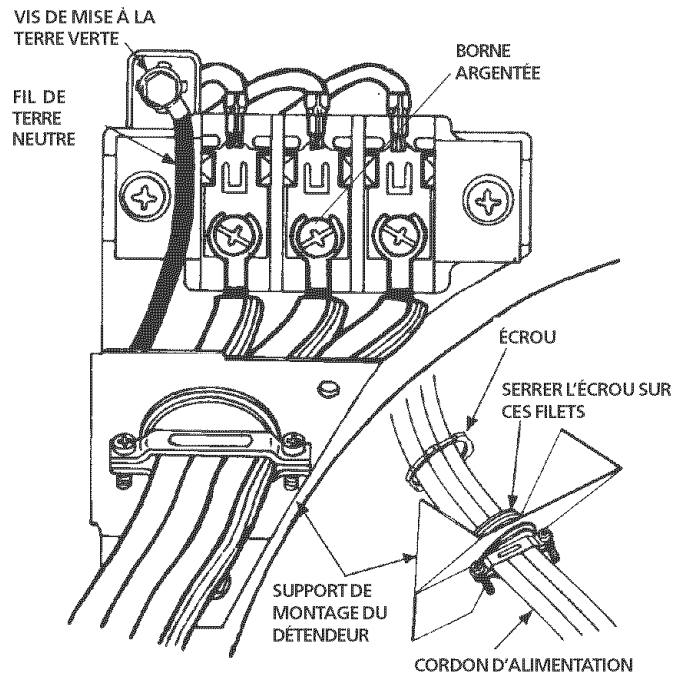
TOUTES les sècheuses à GAZ

Pour votre protection contre les chocs électriques, la sècheuse est équipée d'une fiche à trois bornes (mise à la terre) et doit être branchée directement dans une prise à 3 bornes correctement mise à la terre. Ne pas couper ni enlever la fiche de mise à la terre de cette prise.

BRANCHEMENT ÉLECTRIQUE D'UNE INSTALLATION À 3 FILS

Sècheuses ÉLECTRIQUES non-canadiennes

1. Retirer les vis qui retiennent le couvercle du panneau de branchement ainsi que le support de montage du détendeur situés dans le coin supérieur à l'arrière de la sècheuse.
2. Poser un détendeur approuvé par U.L. dans le trou du support où s'insère le cordon d'alimentation. Serrer simplement l'écrou à la main pour le moment.



3. Enfiler un cordon d'alimentation NEMA 10-30 approuvé par U.L. de 30 A de type SRDT dans le détendeur.
4. Fixer le conducteur neutre (conducteur central) du cordon d'alimentation à la borne centrale argentée du panneau de branchement. Serrer la vis à fond.
5. Fixer les deux conducteurs restants du cordon d'alimentation aux bornes cuivrées extérieures du panneau de branchement. Serrer les deux vis à fond.

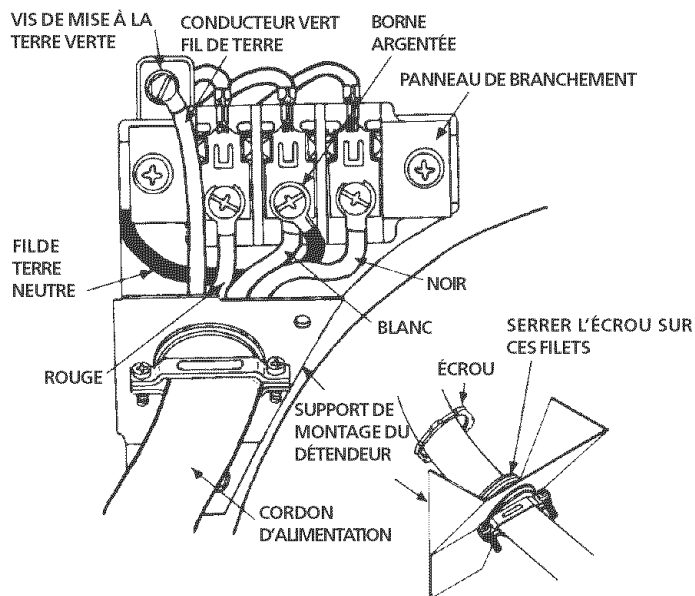
⚠ AVERTISSEMENT Ne pas tordre excessivement ni sertir les conducteurs sur les bornes.

6. Réattacher le support de montage du détendeur sur l'arrière de la sècheuse à l'aide de deux vis. Serrer les vis à fond.
7. Serrer à fond les vis qui retiennent le dispositif de retenue du cordon autour du cordon d'alimentation.
8. Serrer l'écrou du détendeur de façon à ce que cette pièce ne tourne pas.
9. Réattacher le couvercle du panneau de branchement.

BRANCHEMENT ÉLECTRIQUE D'UNE INSTALLATION À 4 FILS

Sécheuses **ÉLECTRIQUES** non-canadiennes

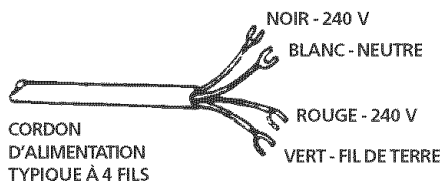
- Retirer les vis qui retiennent le couvercle du panneau de branchement ainsi que le support de montage du détendeur situés dans le coin supérieur à l'arrière de la sécheuse.
- Poser un détendeur approuvé par U.L. dans le trou du support. Serrer simplement l'écrou à la main pour le moment.



- Retirer le fil de terre de la vis de mise à la terre verte neutre située au-dessus du panneau de branchement.
- Enfiler un cordon d'alimentation NEMA 10-30 approuvé par U.L. de 30 A de type SRDT dans le détendeur.



PRISE TYPIQUE À 4
OUVERTURES



CORDON
D'ALIMENTATION
TYPIQUE À 4 FILS

NEMA 14-30 DE 30 A DE TYPE SRDT OU ST

- Fixer le fil de terre vert du cordon d'alimentation au boîtier de la sécheuse à l'aide de la vis de mise à la terre verte.
- Fixer le conducteur blanc (neutre) du cordon d'alimentation ainsi que le fil de terre neutre du boîtier de la sécheuse à la borne centrale argentée du bloc de branchement.
- Fixer les conducteurs rouge et noir du cordon d'alimentation aux bornes cuivrées extérieures du panneau de branchement.

AVERTISSEMENT Ne pas tordre excessivement ni sertir les conducteurs sur les bornes.

- Serrer à fond les vis qui retiennent le dispositif de retenue du cordon autour du cordon d'alimentation.
- Serrer l'écrou du détendeur de façon à ce que cette pièce ne tourne pas.
- Réattacher le couvercle du panneau de branchement.

INSTALLATION

- BRANCHEMENT DU GAZ (Sécheuses à gaz seulement)
 - Retirer le couvercle qui recouvre le tuyau de gaz à l'arrière de la sécheuse.

REMARQUE: NE PAS brancher la sécheuse sur une alimentation au propane sans avoir posé un nécessaire de conversion. Ce nécessaire doit être installé par un technicien agréé.

- Brancher un tuyau semi-rigide ou approuvé de 1,27 cm (1/2 po) de diamètre intérieur entre la conduite d'alimentation en gaz et le tuyau de 0,96 cm (3/8 po) situé sur l'arrière de la sécheuse. Utiliser un réducteur de 1,27 cm-0,96 cm (1/2 po-3/8 po) pour le branchement. Appliquer un mastic de fermeture pour filets approuvé qui résiste à la corrosion qu'exercent les gaz liquéfiés sur tous les raccords de tuyaux.
- Ouvrir le robinet d'arrêt de la conduite d'alimentation en gaz.
- Vérifier tous les branchements en versant de l'eau savonneuse sur les joints. **NE JAMAIS VÉRIFIER S'IL Y A DES FUITES À L'AIDE D'UNE FLAMME VIVE.**

- Relier les conduits d'évacuation d'air à la conduite d'évacuation extérieure. Utiliser un ruban adhésif pour conduites pour sceller les joints.

- Une fois la sécheuse dans son emplacement définitif, ajuster les pieds de nivellement jusqu'à ce que la sécheuse repose fermement sur ses quatre pieds. Placer un niveau sur le dessus de la sécheuse. **LA SÉCHEUSE DOIT ÊTRE À NIVEAU ET REPOSER FERMEMENT SUR SES QUATRE PIEDS.**

- Brancher le cordon d'alimentation électrique dans une prise mise à la terre. **REMARQUE :** S'assurer que le courant est coupé à la boîte de fusibles ou de disjoncteurs avant de brancher le cordon d'alimentation dans une prise.

- Remettre le courant à la boîte de fusibles ou de disjoncteurs.

ATTENTION Avant d'utiliser la sécheuse, s'assurer que les environs de la sécheuse sont exempts de tout matériau inflammable, d'essence et de toute autre vapeur inflammable. S'assurer également qu'aucun objet (boîtes, vêtements, etc.) n'obstrue la circulation de l'air servant à la combustion et à la ventilation.

- Faire fonctionner la sécheuse sur un cycle complet pour en vérifier le fonctionnement.

REMARQUE: Dans le cas des sécheuses à gaz, la conduite doit être vidée de son air avant que le brûleur ne puisse s'allumer. Si le brûleur ne s'allume pas dans les 45 secondes qui suivent le premier démarrage, l'interrupteur de sûreté éteint automatiquement le brûleur. Si cela se produit, remettre la minuterie à «OFF» et attendre 5 minutes avant de tenter une nouvelle fois d'allumer le brûleur.

- Si la sécheuse ne fonctionne pas, passer en revue la section de dépannage inclus dans le Guide de l'utilisateur avant d'appeler un centre de service.

- Placer cette notice près de la sécheuse pour référence future.

REMARQUE: Un schéma de câblage se trouve dans le panneau de commande ou sous le couvercle de la sécheuse.

PIÈCES DE RECHANGE

Pour obtenir des pièces de rechange pour la sécheuse, contacter le magasin d'où vient la sécheuse.

AVERTISSEMENT Lors de tout travail d'entretien ou de réparation des commandes, étiqueter tous les câbles avant de les débrancher. Les erreurs de connexion de câble peuvent entraîner un fonctionnement incorrect et dangereux. Une fois la réparation ou l'entretien terminé, assurez-vous que l'appareil fonctionne correctement.

AVERTISSEMENT Détruire le carton et les sacs en plastique après avoir déballé la sécheuse. Des enfants risqueraient de s'en servir comme jouet. Les cartons recouverts d'un tapis, d'un couvre-lit ou d'une feuille de plastique peuvent former une chambre étanche et faire suffoquer un enfant. Placer le matériel d'emballage dans une poubelle ou les mettre hors de portée des enfants.

AVERTISSEMENT Les directives qui figurent dans cette notice et dans les autres documents qui accompagnent la sécheuse ne sauraient couvrir toutes les circonstances et les situations possibles. **IL FAUT** donc faire preuve de jugement et de prudence pendant l'installation, l'utilisation et l'entretien de tout appareil électroménager.

Indice

MATERIA	PAGINA
Requerimientos de instalación preliminares	16
Requerimientos eléctricos	16
Requerimientos del sistema de escape	16-17
Requerimientos del suministro de gas	17
Ubicación de su secadora	18
Instalación en casas móviles	19
Dimensiones para la instalación	19-20
Desembalaje	20
Puerta reversible	20
Instalación eléctrica	21
Requerimientos para la puesta a tierra	21
Conexiones eléctricas - trifilares	21
Conexiones eléctricas - tetrafilares	22
Instalación	22
Piezas de recambio	22

REQUERIMIENTOS DE INSTALACIÓN PRELIMINARES

Herramientas y materiales necesarios para la instalación:

1. Destornillador Phillips
2. Alicates universales
3. Nivel de carpintero
4. Destornillador para tornillo de cabeza plana o recta
5. Cinta para ductos
6. Ducto metálico rígido o flexible de 4" (10,2 cm)
7. Caperuza de salida
8. Sellador de tuberías (gas)
9. Un cuchillo de plástico

REQUERIMIENTOS ELÉCTRICOS

Secadoras ELÉCTRICAS

CIRCUITO - Circuito derivado individual de 30 amperes, con fusibles de 30 amp. del tipo de retardo o disyuntores.

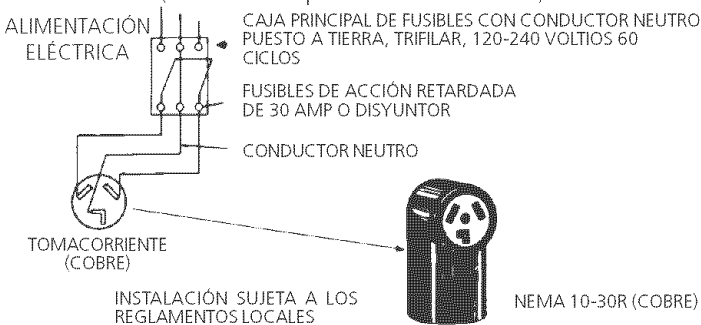
Use unos circuitos con un interruptor o fusible separadamente para las lavadoras y las secadoras y no hace funcionar una lavadora y una secadora sobre el mismo circuito.

ALIMENTACIÓN ELÉCTRICA - Corriente alterna, monofásica, 60 Hz, 240 voltios; trifilar. (Canadá - 240 voltios, monofásico, 60 Hz, corriente alterna.)

CORDÓN ELÉCTRICO - En la secadora se **DEBE** usar un cordón eléctrico trifilar NEMA 10-30 tipo SRDT para un voltaje nominal mínimo de 240 voltios CA, 30 amp, con 3 conectores de horquillas con terminales abiertos y extremos dirigidos hacia arriba o conectores de anillo cerrado y marcados para uso en secadoras de ropa. **AVERTISSEMENT - Risque de choc électrique.** Un appareil mis à la terre à l'aide d'un lien ou câble conducteur neutre. La mise à la terre à l'aide d'un conducteur ou câble neutre est interdite dans les cas suivants: (1) les installations de nouveau circuit dévire (2) les maisons mobiles (3) les véhicules récréatifs ou caravanes et (4) les régions où les codes locaux interdisent la mise à la terre à l'aide d'un câble ou conducteur neutre. (1) Débranchez le conducteur ou câble du neutre, (2) utilisez la borne de mise à la terre ou le câble de mise à la terre de l'appareil conformément aux codes locaux et (3) connectez ou branchez la borne neutre ou le câble au neutre du circuit dévire de la manière habituelle (si l'appareil doit être connecté à l'aide d'un cordon, utilisez un cordon à 4 câbles ou fils pour ce faire). **N'UTILISEZ QUE DES CÂBLES OU FILS EN CUIVRE.** Se **DEBE** utilizar un cordón eléctrico tetrafilar NEMA 14-30 tipo SRDT o ST (como sea necesario) para un voltaje nominal mínimo de 240 voltios CA, 30 amp con 4 conectores de horquillas con terminales abiertos y extremos dirigidos hacia arriba o conectores de anillo cerrado y marcados para uso en secadoras de ropa. Ver CONEXIONES ELÉCTRICAS PARA SISTEMAS TETRAFILARES.

(Canadá - un cordón de suministro de energía de 4 alambres es instalado en la secadora.)

TOMACORRIENTE - El tomacorriente NEMA 10-30R debe estar ubicado de manera que el cordón eléctrico llegue hasta él cuando la secadora esté instalada. (Canadá - receptáculo NEMA 14-30R.)



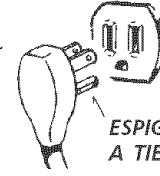
Secadoras a GAS

CIRCUITO - Circuito individual derivado de 15 amp, con fusibles de 15 amp. de retardo máximo o disyuntor.

ALIMENTACIÓN ELÉCTRICA - Corriente alterna, monofásica, 60 Hz, 120 voltios, trifilar.

CORDÓN ELÉCTRICO - La secadora está equipada con un cordón eléctrico trifilar para 120 voltios.

NOTA: No saque por ningún motivo la espiga de puesta a tierra del enchufe.



ESPIGA DE PUESTA A TIERRA

REQUERIMIENTOS DEL SISTEMA DE ESCAPE

Utilice solamente ductos metálicos, rígidos o flexibles de 4" (10,2 cm) de diámetro (mínimo) y una caperuza de salida de uso aprobado, con registros que giren hacia afuera que se abren cuando la secadora se encuentra en funcionamiento. Cuando la secadora se detiene, los registros se cierran automáticamente para evitar las corrientes de aire y la entrada de insectos y roedores. Para evitar obstruir la salida, mantenga una altura libre mínima de 12" (30,5 cm) entre la caperuza de salida y el piso o entre cualquier otra obstrucción.

⚠ ADVERTENCIA Los siguientes requerimientos son específicos para el funcionamiento correcto y seguro de su secadora. El incumplimiento de estas instrucciones puede causar prolongación excesiva del tiempo de secado y riesgos de incendio.

⚠ No use ductos flexibles de plástico para el escape de la secadora.

Se puede acumular un exceso de pelusas en el sistema de escape, crear un riesgo y obstruir el flujo de aire. La restricción del flujo del aire prolongará el tiempo de secado. Si su sistema de escape actual tiene ductos de plástico o de láminas metálicas delgadas, reemplácelo con un ducto metálico rígido o flexible. **Asegúrese de que los ductos existentes no tengan pelusas antes de instalar el ducto de la secadora.**

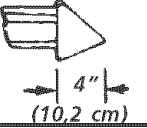

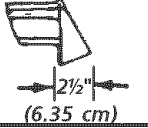
⚠ Risque d'incendie - Une sécheuse à linge produit de la charpie combustible. Si el escape de la secadora no se dirige al exterior, algunas pelusas finas serán sopladadas hacia el recinto donde se efectúa el lavado. La acumulación de pelusas en cualquier lugar de la casa, puede crear un peligro para la salud y un riesgo de incendio. **La sécheuse doit être connectée à une bouche d'évacuation vers l'extérieur du bâtiment ou de l'immeuble.** Vous devez inspecter régulièrement l'évent extérieur et enlever toute accumulation de charpie autour de l'évent et dans la cavité du conduit d'évacuation.

⚠ No permita que los materiales combustibles (por ejemplo: la ropa, cortinas/cortinajes, papel) tengan contacto con los ductos. El escape de la secadora **NO DEBE** dirigirse hacia el interior de una chimenea, hacia una pared, hacia el cielo raso o hacia cualquier otro espacio reducido del edificio, donde puede ocurrir acumulación de pelusas y constituir un peligro de incendio.

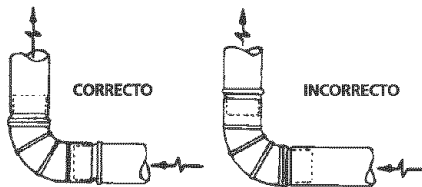
⚠ Exceder la longitud del conducto rígido o los números de codos permitidos en los diagramas "LARGO MÁXIMO" puede disminuir la capacidad de exhaustación del sistema. Obstruir el conducto puede provocar peligro de incendio, así como aumentar el tiempo de secado.

⚠ No coloque un filtro en el extremo del escape del sistema ni emplee tornillos o remaches para ensamblar el sistema de escape. Las pelusas podrían quedar atrapadas en los filtros, en los tornillos o en los remaches, lo cual obstruiría el sistema de escape y crearía un riesgo de incendio, así como también prolongaría el tiempo de secado. Use una caperuza de salida adecuada para el extremo del ducto que salga al exterior de la vivienda y selle todas las juntas con cinta adhesiva para ductos. Todos los accesorios de tubería machos, **DEBEN** ser instalados aguas abajo del flujo de aire.

⚠ ADVERTENCIA Riesgo de explosión. No instale la secadora donde se guarda gasolina u otros materiales inflamables. Si la secadora se instala en un garage, ella debe estar por lo menos 18 pulgadas (45,7 cm) por encima del suelo. El incumplimiento puede resultar en la muerte, explosión, incendio, o quemaduras.

LARGO MÁXIMO del Conducto Metálico Rígido de 4" (10,2 cm) de Diámetro			
TIPO DE CAPERUZA DE SALIDA (Preferido)			
Número de Codos a 90°	 4" (10,2 cm)	Apersianada 	 2½" (6,35 cm)
0	60 pies (18,28 m)	48 pies (14,63 m)	
1	52 pies (15,84 m)	40 pies (12,19 m)	
2	44 pies (13,41 m)	32 pies (9,75 m)	
3	32 pies (9,75 m)	24 pies (7,31 m)	
4	28 pies (8,53 m)	16 pies (4,87 m)	

LARGO MÁXIMO del Conducto Metálico Flexible de 4" (10,2 cm) de Diámetro			
TIPO DE CAPERUZA DE SALIDA (Preferido)			
Número de Codos a 90°	 4" (10,2 cm)	Apersianada 	 2½" (6,35 cm)
0	30 pies (9,14 m)	18 pies (5,49 m)	
1	22 pies (6,71 m)	14 pies (4,27 m)	
2	14 pies (4,27 m)	10 pies (3,05 m)	
3	NO RECOMENDADO		



INSTALE LOS ACCESORIOS MACHOS EN LA DIRECCIÓN CORRECTA

Para las instalaciones cuyo sistema de exhaustación no se encuentre en el diagrama, se puede utilizar el método a continuación para determinar si el sistema de exhaustación es apropiado.

1. Conecte un manómetro a tubo inclinado o digital entre la secadora y el unión de exhaustación de la secadora.
2. Ponga el contador de tiempo de la secadora y la temperatura a aire frío (enfriamiento), y la secadora en la posición de marcha.
3. Lea la medida indicada en el manómetro.
4. La baja presión **NO DEBE** exceder 0.75 pulgada de la columna de agua. Si la baja presión es inferior a 0.75" de la columna de agua, el sistema es aceptable. Si la lectura indica una presión superior a 0.75" de la columna de agua, la capacidad del circuito es insuficiente y la instalación es inaceptable.

Aunque un sistema vertical sea aceptable, algunas circunstancias atenuantes pueden afectar el funcionamiento de la secadora:

- Se debe utilizar solamente conductos metálicos rígidos.
- Una salida del sistema vertical en el techo, puede exponerle a un

corriente de aire descendente y disminuir así su capacidad de exhaustación.

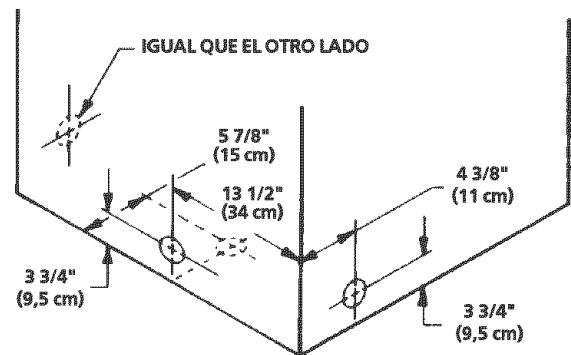
- El aislante que debe atravesar el sistema puede causar condensación y disminuir así la capacidad de exhaustación del sistema.
- La capacidad de exhaustación de un sistema de exhaustación comprimido o ondulado puede disminuirse.

El sistema de exhaustación debe de ser inspeccionado y limpiado por lo menos **cada 18 meses** de uso normal. Cuanto más la secadora está utilizada, más debe verificar el buen funcionamiento del sistema de exhaustación y de la tapa del orificio de ventilación.

UBICACIÓN DEL ESCAPE

Todas las secadoras vienen de fábrica equipadas con escape trasero. Sin embargo, en las secadoras eléctricas, el escape puede hacerse al lado derecho o izquierdo del gabinete o en la parte inferior de la secadora. En las secadoras a gas, el escape del aire puede estar en el lado derecho del gabinete o en la parte inferior de la secadora. El escape direccional puede efectuarse instalando un Juego de Escape, P/N 131456800, disponible a través de su distribuidor de repuestos. Siga las instrucciones que se suministran con el juego.

DIMENSIONES PARA LA UBICACIÓN DEL DUCTO DE ESCAPE



REQUERIMIENTOS DEL SUMINISTRO DE GAS

⚠ ADVERTENCIA Reemplace la tubería de conexión de cobre que no está recubierta con plástico. El latón inoxidable o recubrido con plástico **DEBE SER** utilizado.

1. La instalación **DEBE** hacerse cumplir con los códigos locales o en ausencia de los mismos, de acuerdo con los estándares del National Fuel Gas Code (Código Nacional para Gases Combustibles), ANSI Z223.1 (la última edición). Para Canadá, el Estandar CAN/CGA B149 que esté en vigor.
2. La tubería de alimentación de gas debe ser de 1/2 pulgada (1,27 cm) de diámetro.
3. Si está permitido por los códigos locales, se puede usar tubería de metal para conectar su secadora a la línea de suministro de gas. La tubería **DEBE** ser fabricada de acero inoxidable o cobre recubierto de plástico.
4. La tubería de alimentación de gas **DEBE** tener una llave de cierre individual.
5. Una toma de 1/8 de pulgada (0,32 cm) N.P.T. accesible para conexión del manómetro de prueba, **DEBE** ser instalada inmediatamente aguas arriba de la conexión de la tubería de alimentación de gas a la secadora.
6. La secadora **DEBE** ser desconectada del sistema de tuberías de alimentación de gas durante cualquier ensayo de presión del sistema de tuberías de alimentación de gas realizado a presiones de prueba de más de 1/2 lbs/pulg.² (3,45 kPa).
7. La secadora **DEBE** aislarse del sistema de tuberías de alimentación de gas durante cualquier ensayo de presión del sistema de tuberías de alimentación de gas realizado en ensayos de presión iguales o inferiores a 1/2 lbs/pulg.² (3,45 kPa).

UBICACIÓN DE SU SECADORA

NO INSTALE SU SECADORA:

1. En un lugar donde puede haber goteos de agua o quede expuesta a las inclemencias del tiempo.
2. En un área donde pueda entrar en contacto con cortinas, cortinajes o cualquier otra cosa que obstruya el flujo de combustión y ventilación de aire.
3. Sobre alfombras. El piso **DEBE** ser firme con un desnivel máximo de 1 pulgada (2,54 cm).

INSTALACIÓN DENTRO DE UN NICH O ARMARIO

1. Si la secadora es instalada en un dormitorio, cuarto de baño, nicho o armario, el tubo del escape **DEBE** ser instalado hacia el exterior.
2. No se debe instalar ningún otro artefacto que quemé combustible en el mismo armario en que está instalada la secadora a Gas.
3. La secadora necesita espacio a su alrededor para una ventilación adecuada.

NO INSTALE LA SECADORA EN UN ARMARIO CON PUERTA MACIZA.

4. Se requiere como mínimo una abertura de 120 pulgadas cuadradas (774,2 cm²), dividida equitativamente para la parte superior e inferior de la puerta. Cuando se instala una puerta, es necesario proveer aberturas para el aire. Una puerta apersianada con aberturas para el aire en todo el largo de la puerta es aceptable.

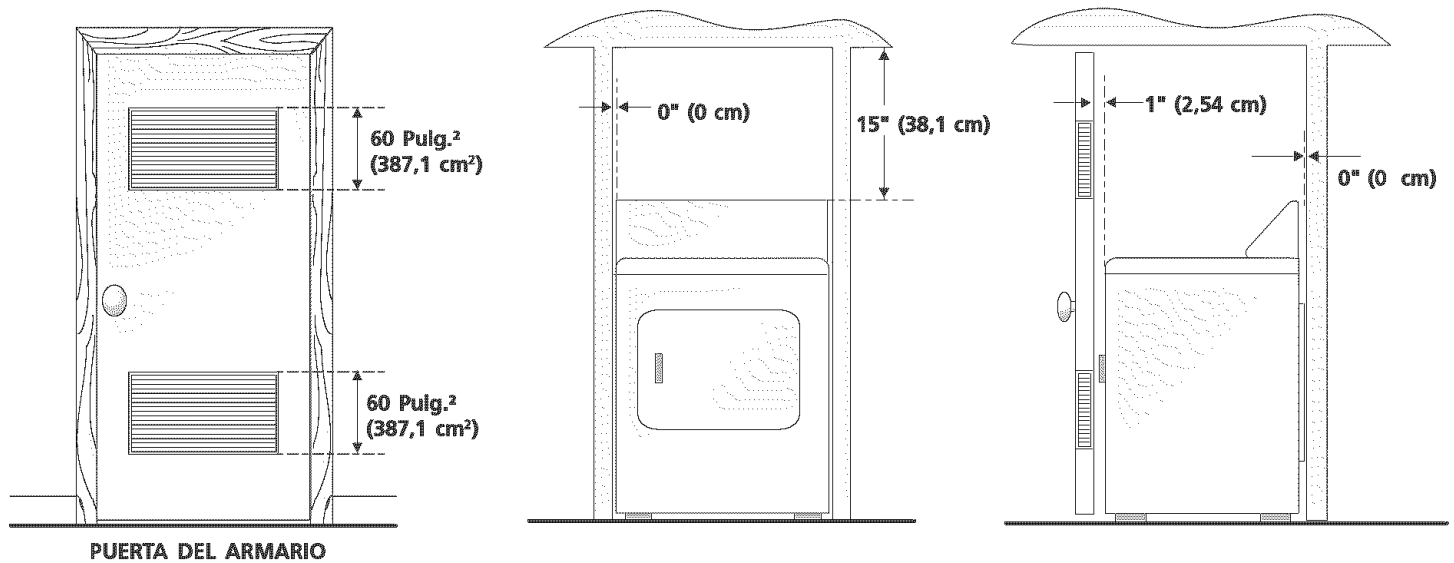
DESPEJES MÍNIMOS DE INSTALACIÓN (Pulgadas)

	PARTE DELANTERA	LADOS	PARTE TRASERA	PARTE SUPERIOR
Alcoba o encastradas	0 (0 cm)	0 (0 cm)	0 (0 cm)	15 (38,1 cm)
Armario	1 (2,54 cm)	0 (0 cm)	0 (0 cm)	15 (38,1 cm)

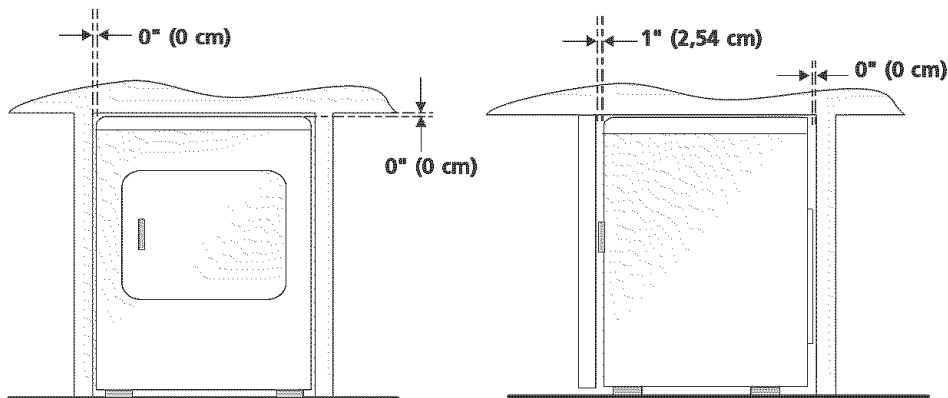
Ventilación requerida en la puerta del armario: dos aberturas rejilladas cada 60 pulg.² (387 cm²) — 3" (7,6 cm) desde la parte inferior y superior de la puerta.

EL TUBO DEL ESCAPE DE LA SECADORA DEBE SER INSTALADO HACIA EL EXTERIOR.

5. Las siguientes ilustraciones muestran las dimensiones mínimas de espacio libre que debe existir para el buen funcionamiento de la secadora cuando se instala en un nicho o en un armario.



NOTA: Secadoras encastradas o superpuestas — 0 pulgada (0 cm) para los lados, parte trasera y en la parte superior.

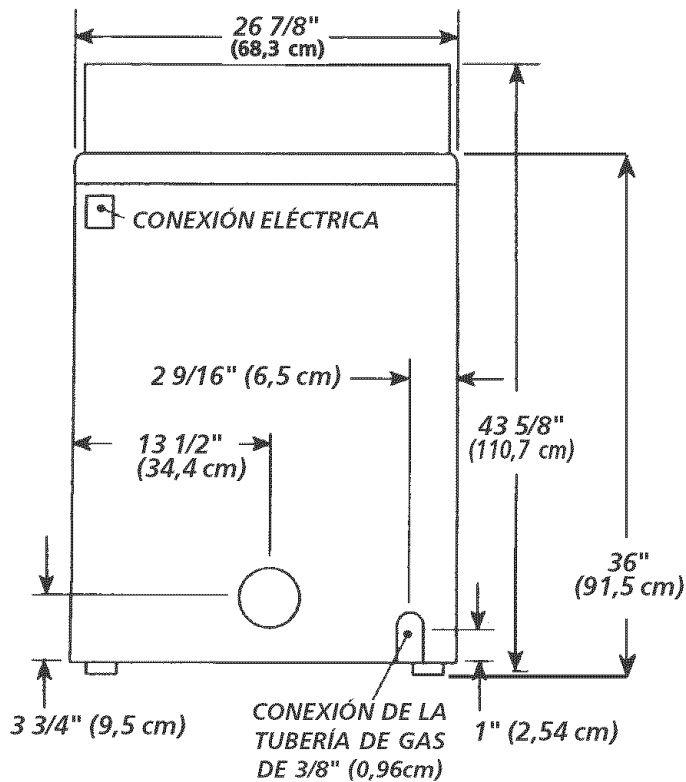


INSTALACIÓN DEBAJO DE UN MOSTRADOR

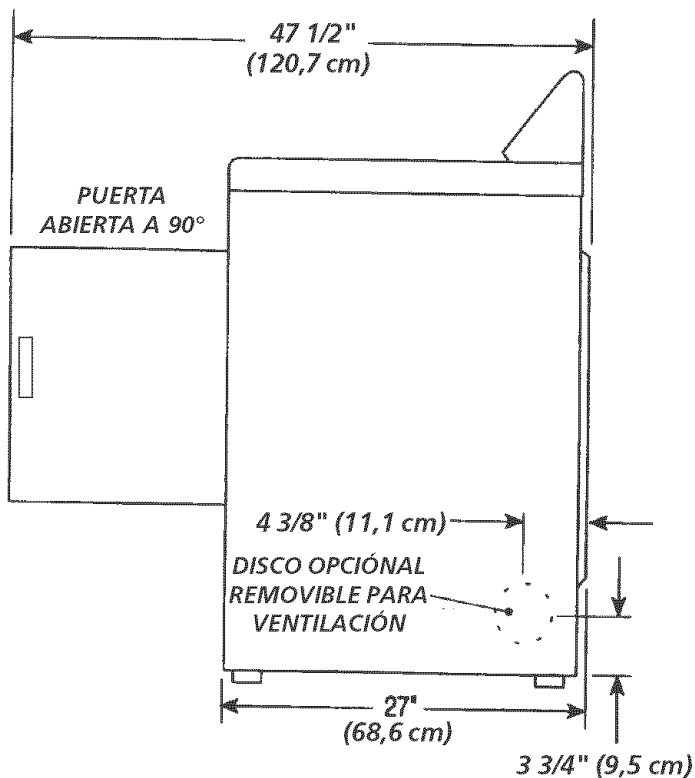
Si se desea una instalación debajo de un mostrador*, **ES IMPRESCINDIBLE** instalar un conjunto de hoja superior en la lavadora, número de parte 131629100. Este conjunto es disponible de un distribuidor de partes autorizado.

* Se requiere un mostrador hecho a medida.

MODELOS AUTÓNOMOS CON CONSOLA SUPERIOR
DIMENSIONES PARA LA INSTALACIÓN



VISTA POSTERIOR



VISTA LATERAL

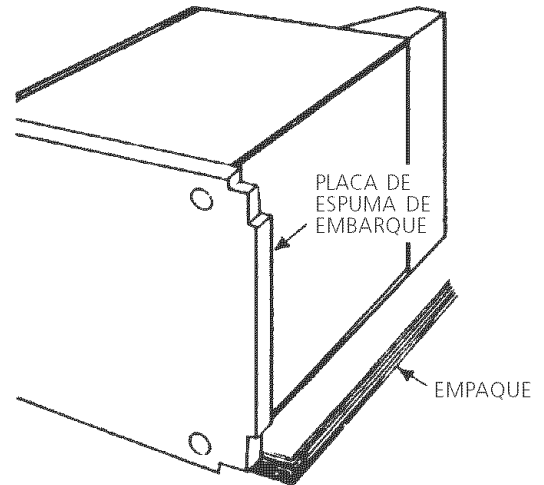
DESEMBALAJE

1. Utilizando las cuatro esquineras de embarque de la caja de cartón (dos a cada lado), coloque cuidadosamente la secadora sobre el costado izquierdo y saque la base de espuma de embarque.

¡ATENCIÓN Para evitar daños, no use el panel de control como un medio para levantar o mover la secadora.

NOTA: En los modelos de secadoras encastradas, el panel superior puede ser removido para la instalación.

2. Vuelva la secadora a su posición vertical.

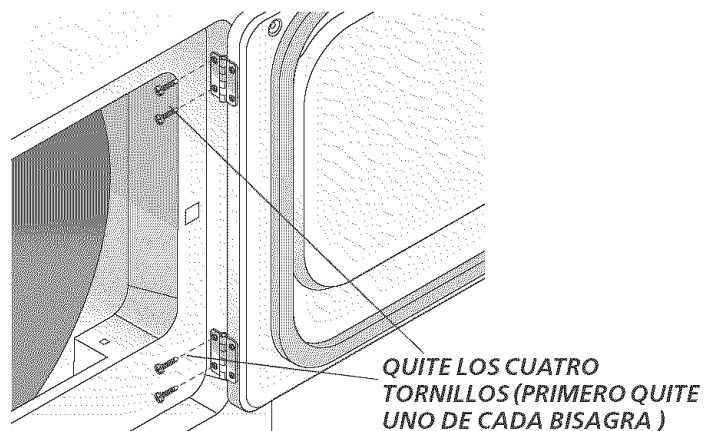


PUERTA REVERSIBLE

Su secadora ha sido diseñada para que la puerta pueda ser cambiada de lado en cualquier momento sin necesidad de piezas adicionales. La conversión se hace transfiriendo las bisagras al lado opuesto del gabinete.

Cómo cambiar la dirección de apertura de la puerta:

1. Abra la puerta de la secadora. Quite los cuatro receptores del agujero de la bisagra del lado izquierdo de la apertura de la puerta. Colóquelos en un lugar cercano para futura instalación. **NOTA:** Puede que se necesite un cuchillo de plástico para poder sacar los receptores. Tenga cuidado de no rayar la pintura.
2. Quite los cuatro tornillos que aseguran las bisagras de la puerta al panel frontal de la secadora (ver figura abajo). **NOTA:** Primero quite un tornillo de cada una de las bisagras. Mantenga la puerta sujeta firmemente antes de quitar los dos últimos tornillos.
3. Gire la puerta 180° y vuelva a colocar las bisagras de la puerta en el panel frontal con los cuatro tornillos.
4. Instale los cuatro receptores de los agujeros de las bisagras en los agujeros abiertos en el lado derecho de la apertura de la puerta.



INSTALACIÓN ELÉCTRICA

TODAS las secadoras ELÉCTRICAS

⚠ ADVERTENCIA Los siguientes requerimientos son específicos para el funcionamiento correcto y seguro de su secadora. El incumplimiento de estas instrucciones puede causar prolongación excesiva del tiempo de secado y riesgos de incendio.

⚠ Este artefacto **DEBE** ser puesto a tierra de manera correcta. Si la secadora no está debidamente puesta a tierra se puede producir un choque eléctrico. Siga las instrucciones indicadas en este manual para la puesta a tierra en forma correcta.

⚠ No use un cordón de extensión con esta secadora. Algunos cordones de extensión no pueden soportar la cantidad de corriente eléctrica que utiliza esta secadora y pueden fundirse, creando un peligro de choque eléctrico y/o incendio. Ubique la secadora de manera que el cordón eléctrico llegue hasta el tomacorriente que se va a usar, dejando un poco de holgura para el cordón. Consulte los requerimientos de instalación preliminares indicados en este manual para el cordón eléctrico que debe ser adquirido.

⚠ Se debe instalar un anclaje aprobado por el U.L. para el cordón eléctrico. Si no se utiliza un anclaje para sujetar el cordón eléctrico, éste puede salirse de la secadora y cortarse con cualquier movimiento, resultando en un choque eléctrico.

⚠ No utilice un tomacorriente con cables de aluminio con un cordón y un enchufe de cobre (o viceversa). Se produce una reacción química entre el cobre y el aluminio que puede causar cortocircuitos. **El cableado y tomacorriente apropiado es un cordón eléctrico equipado con conductores de cobre con un tomacorriente con conductores de cobre.**

NOTA: Las secadoras que operan con un suministro de energía de 208 voltios usarán más tiempo de secado que aquellas que operan con un suministro de energía de 240 voltios.

REQUERIMIENTOS PARA LA PUESTA A TIERRA

Secadoras ELÉCTRICAS No Canadienses

⚠ PELIGRO La conexión indebida del conductor de puesta a tierra del equipo puede ocasionar un riesgo de choque eléctrico. Consulte con un electricista profesional si tiene alguna duda respecto a la puesta a tierra correcta del artefacto.

Para una secadora puesta a tierra, con cordón eléctrico:

1. La secadora **DEBE** ser puesta a tierra. En caso de malfuncionamiento o falla, la puesta a tierra reducirá el riesgo de choque eléctrico proporcionando un trayecto de menor resistencia a la corriente eléctrica.
2. Si su secadora está equipada con un cordón eléctrico que posee un conductor de puesta a tierra del equipo y un enchufe de puesta a tierra, dicho enchufe **DEBE** ser conectado a un tomacorriente adecuado, debidamente instalado y puesto a tierra de acuerdo con todos los códigos y reglamentos locales. Si tiene alguna duda consulte a un electricista profesional. **No modifique el enchufe proporcionado la aplicación.**

Para una secadora conectada permanentemente:

1. La secadora **DEBE** ser conectada a un sistema de cableado metálico permanente, puesto a tierra; o se debe instalar un conductor de puesta a tierra de equipo junto con los conductores del circuito y conectarse al borne de puesta a tierra del equipo o al cable del artefacto.

Secadoras ELÉCTRICAS Canadienses

⚠ PELIGRO La conexión indebida del conductor de puesta a tierra del equipo puede ocasionar un riesgo de choque eléctrico. Consulte con un electricista profesional si tiene alguna duda respecto a la puesta a tierra correcta del artefacto.

Para una secadora puesta a tierra, con cordón eléctrico:

1. La secadora **DEBE** ser puesta a tierra. En caso de malfuncionamiento o falla, la puesta a tierra reducirá el riesgo de choque eléctrico proporcionando un trayecto de menor resistencia a la corriente eléctrica.

2. Si su secadora está equipada con un cordón eléctrico que posee un conductor de puesta a tierra del equipo y un enchufe de puesta a tierra, dicho enchufe **DEBE** ser conectado a un tomacorriente adecuado, debidamente instalado y puesto a tierra de acuerdo con todos los códigos y reglamentos locales. Si tiene alguna duda consulte a un electricista profesional.

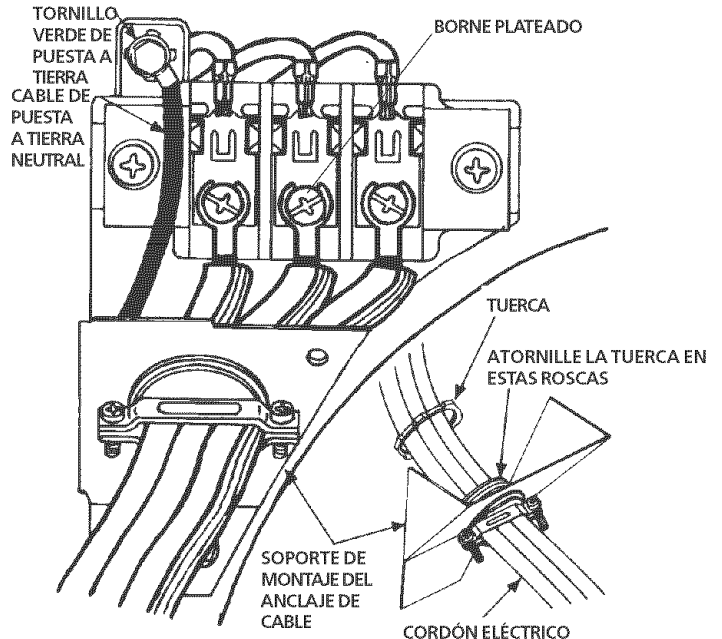
TODAS las secadoras a GAS

Esta secadora está equipada con un enchufe de tres espigas (de puesta a tierra) para protección en contra de choques eléctricos y debe ser conectada directamente en un receptáculo para tres espigas el cual debe estar puesto a tierra. No corte ni elimine la espiga de puesta a tierra de este enchufe.

CONEXIONES ELÉCTRICAS PARA UN SISTEMA TRIFILAR

Secadoras ELÉCTRICAS No Canadienses

1. Saque los tornillos que sujetan la cubierta de acceso del tablero de bornes y el soporte de montaje del anclaje del cordón, situado en la esquina superior de la parte trasera de la secadora.
2. Instale un anclaje de cable aprobado por el U.L., en el orificio de entrada del cordón eléctrico en el soporte de montaje. Luego apriete la tuerca con los dedos solamente.



3. Inserte un cordón eléctrico de 30 amp, NEMA 10-30 Tipo SRDT, aprobado por el U.L., a través del anclaje de cable.
4. Conecte el conductor neutro del cordón eléctrico (cable central) al borne central plateado del tablero de bornes. Apriete firmemente el tornillo.
5. Conecte los dos conductores externos restantes del cordón eléctrico a los bornes bronceados externos del tablero de bornes. Apriete firmemente los tornillos.

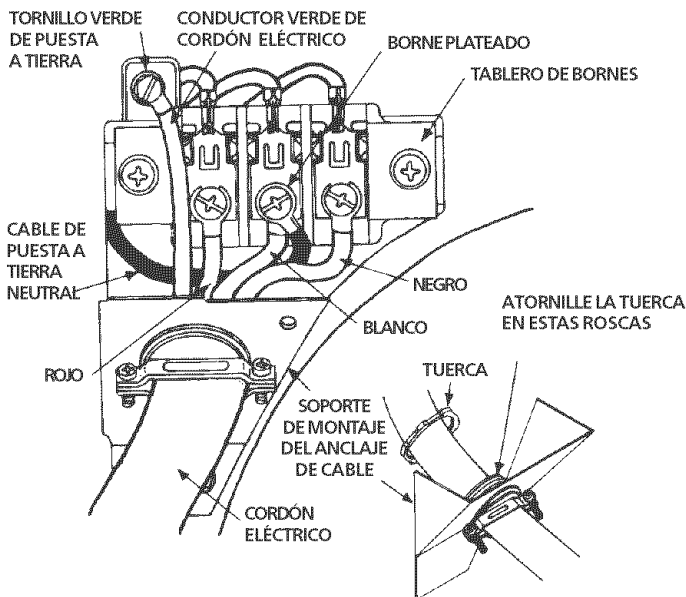
⚠ ADVERTENCIA No doble en forma pronunciada ni engarce los cables/conductores en las conexiones.

6. Coloque nuevamente el soporte de montaje del anclaje de cable en la parte trasera de la secadora con dos tornillos. Apriete firmemente los tornillos.
7. Apriete firmemente los tornillos del anclaje de cable contra el cordón eléctrico.
8. Apriete la tuerca del anclaje de cable a fin de que el anclaje no gire.
9. Coloque nuevamente la cubierta del tablero de bornes.

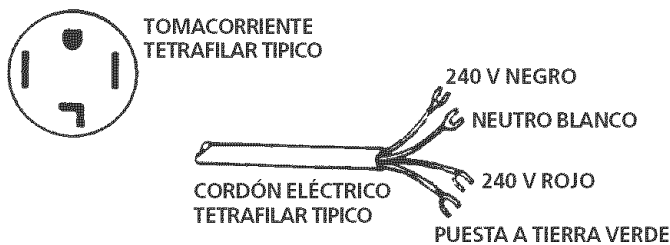
CONEXIONES ELÉCTRICAS PARA UN SISTEMA TETRAFILAR

Secadoras ELÉCTRICAS No canadienses

1. Saque los tornillos que sujetan la cubierta de acceso del tablero de bornes y el soporte de montaje del anclaje de cable situado en la esquina superior en la parte trasera de la secadora.
2. Instale un anclaje de cable aprobado por el U.L., en el orificio de entrada del cordón eléctrico en el soporte de montaje. Luego apriete la tuerca con los dedos solamente.



3. Desconecte el cable de puesta a tierra neutra del tornillo verde de puesta a tierra situado en la parte superior del tablero de bornes.
4. Inserte un cordón eléctrico tetrafilar de 30 amp, NEMA 10-30 Tipo ST o SRDT, aprobado por el U.L., a través del anclaje de cable.



CORDÓN ELÉCTRICO DE 30 AMP NEMA 14-30 TIPO SRDT O ST

5. Conecte el cable verde de puesta a tierra del cordón eléctrico al gabinete mediante el tornillo verde de puesta a tierra.
6. Conecte el conductor blanco (neutro) del cordón eléctrico y el cable de puesta a tierra neutro del mazo de cables de la secadora al borne plateado central del tablero de bornes.
7. Conecte los conductores rojo y negro del cordón eléctrico a los bornes bronceados externos del tablero de bornes.

⚠ ADVERTENCIA No doble en forma pronunciada ni engarce los cables/conductores en las conexiones.

8. Apriete firmemente los tornillos del anclaje de cable contra el cordón eléctrico.
9. Apriete la tuerca del anclaje de cable a fin de que el anclaje no gire.
10. Coloque nuevamente la cubierta del tablero de bornes.

INSTALACIÓN

1. CONEXIÓN DEL GAS (*Secadoras a gas solamente*)
 - a. Saque la tapa de embarque de la tubería de gas de la secadora situada en la parte trasera.

NOTA: **NO** conecte la secadora al suministro de propano, sin primero instalar el juego de conversión a propano. El juego de conversión a propano debe ser instalado por un técnico de gas calificado.

- b. Conecte una tubería semirígida de 1/2" (1,27 cm) D.I. o una tubería aprobada, desde la línea de suministro de gas a la tubería de 3/8" (0,96 cm) ubicada en la parte trasera de la secadora. Utilice un reductor de 1/2" (1,27 cm) a 3/8" (0,96 cm) para la conexión. Aplique un sellador de roscas de uso aprobado, resistente a la corrosión de los gases licuados, en todas las uniones de la tubería.
- c. Abra la válvula de cierre en la tubería de suministro de gas.
- d. Pruebe todas las conexiones aplicando con una escobilla una solución jabonosa. **NUNCA UTILICE UNA LLAMA ABIERTA PARA DETECTAR FUGAS DE GAS.**

2. Conecte el ducto de escape al sistema de escape exterior. Utilice cinta para obturar todas las uniones.

3. Con la secadora en su posición definitiva, regule uno o más tornillos niveladores, hasta que la secadora repose firmemente sobre los cuatro tornillos. Coloque un nivel sobre la parte superior de la secadora. **LA SECADORA DEBE ESTAR A NIVEL Y REPOSAR SOLIDA Y FIRMEMENTE SOBRE LOS CUATRO TORNILLOS NIVELADORES.**

4. Conecte el cordón eléctrico a un tomacorriente puesto a tierra. **NOTA:** Asegúrese de que la corriente esté desconectada en el disyuntor/caja de fusibles, antes de conectar el cordón eléctrico en el tomacorriente.

5. Conecte la corriente en el disyuntor/caja de fusibles.

⚠ ATENCIÓN Antes de poner en funcionamiento la secadora, asegúrese de que no haya materiales combustibles, gasolina y otros vapores inflamables cerca de la secadora. Además asegúrese de que no haya nada (tal como cajas, ropas, etc.) que obstruya el flujo del aire de combustión y ventilación.

6. Haga funcionar la secadora durante un ciclo completo para comprobar su buen funcionamiento.

NOTA: En las secadoras a gas, antes de encender el quemador es necesario purgar el aire de la tubería del gas. Si el quemador no enciende dentro de 45 segundos, cuando la secadora se enciende por primera vez, el interruptor de seguridad apagará el quemador. Si esto sucede, gire el contador de tiempo a la posición "OFF" (apagado) y espere 5 minutos antes de intentar encender la secadora nuevamente.

7. Si su secadora no funciona, consulte la sección "Lista de Control de Averías" que se encuentra en su Manual del Usuario, antes de llamar para obtener servicio.

8. Conserve estas instrucciones cerca de la secadora para referencia futura.

NOTA: Dentro de la consola de la secadora o debajo del panel superior se encuentra un diagrama del cableado.

PIEZAS DE RECAMBIO

Si necesita obtener piezas de recambio para su secadora, póngase en contacto con el distribuidor donde compró su secadora.

⚠ ATENCIÓN Cuando se reparan los controles, marque todos los cables con etiquetas antes de desconectarlos. Cualquier error de cableado puede causar una operación inadecuada y peligrosa. Asegúrese de que la secadora funcione adecuadamente después de repararla.

⚠ ADVERTENCIA Destruya la caja de cartón, las bolsas de plástico y la banda metálica después de haber desempacado el centro de lavandería. Los niños pueden ponerse a jugar con ellos. Las cajas de cartón cubiertas con alfombras, colchas o pedazos de plástico pueden convertirse en cámaras sin aire y causar asfixia. Elimine todos los materiales poniéndolos en la basura o fuera del alcance de los niños.

⚠ ADVERTENCIA Las instrucciones incluidas en este manual y en el resto de la documentación que se entrega con la secadora no pueden cubrir todas las situaciones o condiciones posibles que puedan presentarse. Por lo tanto, se **DEBEN** seguir prácticas seguras y tener cuidado cuando se instala cualquier artefacto doméstico.