

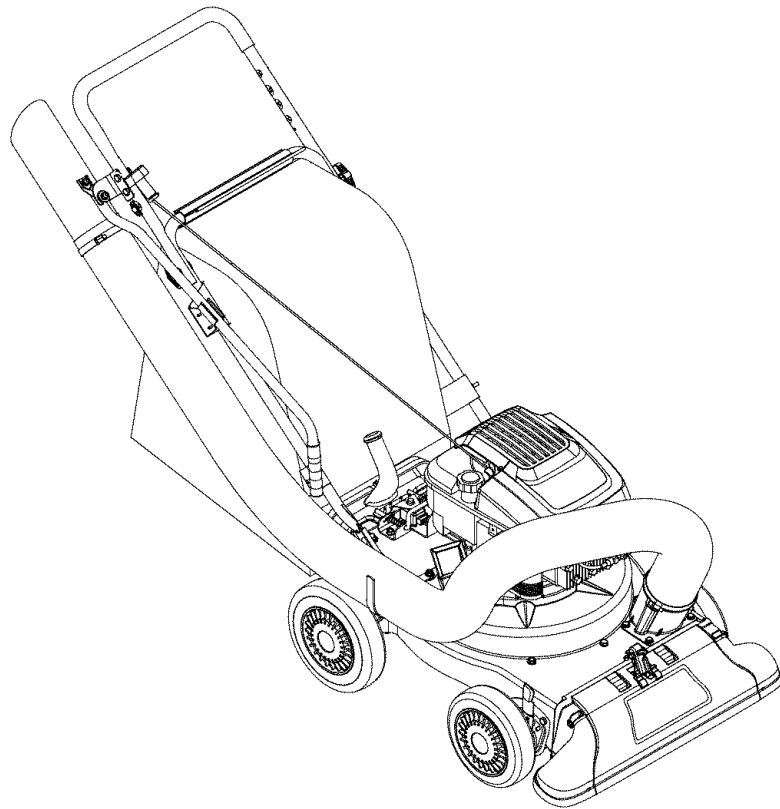
Operator's Manual



6.0 Horse Power

YARD VACUUM

Model No. 247.770550



CAUTION: Before using this product, read this manual and follow all Safety Rules and Operating Instructions.

- Safety
- Assembly
- Operation
- Maintenance
- Parts
- Español, p. 39

Sears, Roebuck and Co., Hoffman Estates, IL 60179, U.S.A.

Visit our Sears website: www.sears.com/craftsman

Printed in U.S.A.

FORM NO. 769-00407D

(8/4/2004)

TABLE OF CONTENTS

Content	Page	Content	Page
Warranty	2	Service and Adjustments	15
Safety	3	Storage	17
Assembly	6	Troubleshooting	18
Operation	9	Parts List	19
Maintenance	13	Español	39

WARRANTY

One Year Full Warranty on Craftsman Yard Vacuum

This equipment is covered by a one-year warranty, provided that it is maintained, lubricated, and tuned up according to the instructions in the operator's manual. During the warranty year, if this equipment experiences any failure due to defects in material or workmanship, RETURN IT TO YOUR NEAREST SEARS PARTS & REPAIR CENTER, and Sears will repair it, free of charge. In-home warranty service is available, but you will have to pay a trip charge.

This Warranty does not cover:

- Expendable items which become worn during normal use, such as spark plugs, air cleaners, belts, and oil filters.
- Tire replacement or repair caused by punctures from outside objects, such as nails, thorns, stumps, or glass.
- Repairs necessary because of operator abuse, including but not limited to, damage caused by objects, such as stones, metal debris or oversized pieces of wood, or impacting objects that bend the frame or crankshaft, or over-speeding the engine.
- Repairs necessary because of operator negligence, including but not limited to, electrical and mechanical damage caused by improper storage, failure to use the proper grade and amount of engine oil, or failure to maintain the equipment according to the instructions contained in the operator's manual.
- Engine (fuel system) cleaning or repairs caused by fuel determine to be contaminated or oxidized (stale). In general, fuel should be used **within 30 days** of its purchase date.
- Equipment if used for commercial or rental purposes.

TO LOCATE THE NEAREST SEARS PARTS & REPAIR CENTER OR TO SCHEDULE SERVICE, SIMPLY CONTACT SEARS AT 1-800-4-MY-HOME®.

This warranty gives you specific legal rights and you may also have other rights, which vary from state to state.

Sears, Roebuck and Co., Dept. 817WA, Hoffman Estates, IL 60179

PRODUCT SPECIFICATION		
Horsepower:	6.0 Horse Power	Model Number..... 247.770550
Engine Oil Type	SAE 30	Serial Number.....
Engine Oil Capacity	18 Ounces	
Fuel Capacity:	1 1/2 Quarts	Date of Purchase.....
Spark Plug	Champion RJ-19LM	Record both serial number and date of purchase and keep in a safe place for future reference.
Spark Plug Gap	.030"	



SAFETY



WARNING: This symbol points out important safety instructions which, if not followed, could endanger the personal safety and/or property of yourself and others. Read and follow all instructions in this manual before attempting to operate this machine. Failure to comply with these instructions may result in personal injury. When you see this symbol - **heed its warning**.

WARNING: Engine Exhaust, some of its constituents, and certain vehicle components contain or emit chemicals known to State of California to cause cancer and birth defects or other reproductive harm.

DANGER: This machine was built to be operated according to the rules for safe operation in this manual. As with any type of power equipment, carelessness or error on the part of the operator can result in serious injury. This machine is capable of amputating hands and feet and throwing objects. Failure to observe the following safety instructions could result in serious injury or death.

TRAINING

1. Read, understand, and follow all instructions on the machine and in the manual(s) before attempting to assemble and operate. Keep this manual in a safe place for future and regular reference and for ordering replacement parts.
2. Be familiar with all controls and their proper operation. Know how to stop the machine and disengage them quickly.
3. Never allow children under 16 years old to operate this machine. Children 16 years old and over should read and understand the operation instructions and safety rules in this manual and should be trained and supervised by a parent.
4. Never allow adults to operate this machine without proper instruction.
5. Keep bystanders, helpers, pets, and children at least 75 feet from the machine while it is in operation. Stop machine if anyone enters the area.
6. Never run an engine indoors or in a poorly ventilated area. Engine exhaust contains carbon monoxide, an odorless and deadly gas.
7. Do not put hands and feet near rotating parts or in the feeding chambers and discharge opening. Contact with the rotating impeller can amputate fingers, hands, and feet.
8. Never attempt to unclog either the feed intake or discharge opening, remove or empty vacuum bag, or inspect and repair the machine while the engine is running. Shut the engine off and wait until all moving parts have come to a complete stop. Disconnect the spark plug wire and ground it against the engine.
2. Always wear safety glasses or safety goggles during operation or while performing an adjustment or repair, to protect eyes. Thrown objects which ricochet can cause serious injury to the eyes.
3. Wear sturdy, rough-soled work shoes and close-fitting slacks and shirts. Loose fitting clothes or jewelry can be caught in movable parts. Never operate this machine in bare feet or sandals. Wear leather work gloves when feeding material in the chipper chute.
4. Before starting, check all bolts and screws for proper tightness to be sure the machine is in safe working condition. Also, visually inspect machine for any damage at frequent intervals.
5. Maintain or replace safety and instructions labels, as necessary.
6. To avoid personal injury or property damage use extreme care in handling gasoline. Gasoline is extremely flammable and the vapors are explosive. Serious personal injury can occur when gasoline is spilled on yourself or your clothes which can ignite. Wash your skin and change clothes immediately.
 - a. Use only an approved gasoline container.
 - b. Extinguish all cigarettes, cigars, pipes, and other sources of ignition.
 - c. Never fuel machine indoors.
 - d. Never remove gas cap or add while the engine is hot or running.
 - e. Allow engine to cool at least two minutes before refueling.
 - f. Never over fill fuel tank. Fill tank to no more than 1/2 inch below bottom of filler neck to provide space for fuel expansion.
 - g. Replace gasoline cap and tighten securely.
 - h. If gasoline is spilled, wipe it off the engine and equipment. Move machine to another area. Wait 5 minutes before starting the engine.

PREPARATION

1. Thoroughly inspect the area where the equipment is to be used. Remove all rocks, bottles, cans, or other foreign objects which could be picked up or thrown and cause personal injury or damage to the machine.

- i. Never store the machine or fuel container inside where there is an open flame, spark, or pilot light (e.g. furnace, water heater, space heater, clothes dryer, etc.)
- j. To reduce a fire hazard, keep machine free of grass, leaves, or other debris build-up. Clean up oil fuel spillage and remove any fuel soaked debris.
- k. Allow machine to cool at least 5 minutes before storing.

OPERATION

1. Do not put hands and feet near rotating parts or in the feeding chambers and discharge opening. Contact with the rotating impeller can amputate fingers, hands, and feet.
2. Before starting the machine, make sure the chipper chute, feed intake, and cutting chamber are empty and free of all debris.
3. Thoroughly inspect all material to be shredded and remove any metal, rocks, bottles, cans, or other foreign objects which could cause personal injury or damage to the machine.
4. If the impeller strikes a foreign object or if your machine should start making an unusual noise or vibration, immediately shut the engine off. Allow the impeller to come to a complete stop. Disconnect the spark plug wire, ground it against the engine and perform the following steps:
 - a. Inspect for damage.
 - b. Repair or replace any damaged parts.
 - c. Check for any loose parts and tighten to assure continued safe operation.
5. Do not allow an accumulation of processed material to build up in the discharge area. This can prevent proper discharge and result in kickback of material through the feed opening.
6. Do not attempt to shred or chip material larger than specified on the machine or in this manual. Personal injury or machine damage could result.
7. Never attempt to unclog either the feed intake or discharge opening while the engine is running. Shut the engine off, wait until all moving parts have stopped, disconnect the spark plug wire and ground it against the engine before clearing debris.
8. Never operate without vacuum bag and discharge chute properly attached to the machine. Never empty or change vacuum bag while the engine is running. Rear end of vacuum bag must be kept closed at all times during operation.

9. Never operate without either the inlet nozzle or optional hose attachment properly attached to the machine. Never attempt to attach or change either attachment while the engine is running.
10. Keep all guards, deflectors and safety devices in place and operating properly.
11. Keep your face and body back and to the side of the chipper chute while feeding material into the machine to avoid accidental kickback injuries.
12. Never operate this machine without good visibility or light. Always be sure of your footing and keep a firm hold on the handles.
13. Do not operate this machine on a gravel surface.
14. Do not operate this machine while under the influence of alcohol or drugs.
15. Muffler and engine become hot and can cause a burn. Do not touch.
16. Never pick up or carry machine while the engine is running.

MAINTENANCE AND STORAGE

1. Never tamper with safety devices. Check their proper operation regularly.
2. Check bolts and screws for proper tightness at frequent intervals to keep the machine in safe working condition. Also, visually inspect machine for any damage and repair, if needed.
3. Before cleaning, repairing, or inspecting, stop the engine and make certain the impeller and all moving parts have stopped. Disconnect the spark plug wire and ground it against the engine to prevent unintended starting.
4. Do not change the engine governor settings or overspeed the engine. The governor controls the maximum safe operating speed of the engine.
5. Maintain or replace safety and instruction labels, as necessary.
6. Follow this manual for safe loading, unloading, transporting, and storage of this machine.
7. Never store the machine or fuel container inside where there is an open flame, spark or pilot light such as a water heater, furnace, clothes dryer, etc.
8. Always refer to the operator's manual for proper instructions on off-season storage.
9. If the fuel tank has to be drained, do this outdoors.
10. Observe proper disposal laws and regulations for gas, oil, etc. to protect the environment.

REPAIR PROTECTION AGREEMENT

Congratulations on making a smart purchase. Your new Craftsman® product is designed and manufactured for years of dependable operation. But like all products, it may require repair from time to time. That's when having a Repair Protection Agreement can save you money and aggravation.

Here's what's included in the Agreement:

- ✓ **Expert service** by our 12,000 professional repair specialists
- ✓ **Unlimited service and no charge** for parts and labor on all covered repairs
- ✓ **Product replacement** if your covered product can't be fixed
- ✓ **Discount of 10%** from regular price of service and service-related parts not covered by the agreement; also, 10% off regular price of preventive maintenance check
- ✓ **Fast help by phone** - phone support from a Sears technician on products requiring in-home repair, plus convenient repair scheduling

Once you purchase the Agreement, a simple phone call is all that it takes for you to schedule service. You can call anytime day or night, or schedule a service appointment online.

Sears has over 12,000 professional repair specialists, who have access to over 4.5 million quality parts and accessories. That's the kind of professionalism you can count on to help prolong the life of your new purchase for years to come. Purchase your Repair Protection Agreement today!

Some limitations and exclusions apply. For prices and additional information call 1-800-827-6655.

Sears Installation Service

For Sears professional installation of home appliances, garage door openers, water heaters, and other major home items, in the U.S.A. call **1-800-4-MY-HOME®**

Look For Relevant Emissions Durability Period and Air Index Information On Your Engine Emissions Label

Engines that are certified to meet the California Air Resources Board (CARB) Tier 2 Emission Standards must display information regarding the Emissions Durability Period and the Air Index. Sears, Roebuck and Co., U.S.A. makes this information available to the consumer on our emission labels.

The **Emissions Durability Period** describes the number of hours of actual running time for which the engine is certified to be emissions compliant, assuming proper maintenance in accordance with the Operating & Maintenance Instructions. The following categories are used:

Moderate: Engine is certified to be emission compliant for 125 hours of actual engine running time.

Intermediate: Engine is certified to be emission compliant for 250 hours of actual engine running time.

Extended: Engine is certified to be emission compliant for 500 hours of actual engine running time.

For example, a typical walk-behind lawn mower is used 20 to 25 hours per year. Therefore, the **Emissions Durability Period** of an engine with an **intermediate** rating would equate to 10 to 12 years.

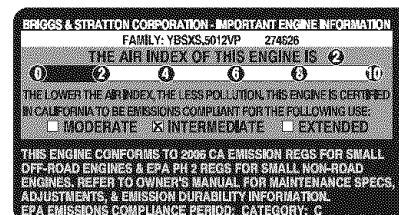
The **Air Index** is a calculated number describing the relative level of emissions for a specific engine family. The lower the **Air Index**, the cleaner the engine. This information is displayed in graphical form on the emissions label.

After July 1, 2000, Look For Emissions Compliance Period On Engine Emissions Compliance Label

After July 1, 2000 certain Sears, Roebuck and Co., U.S.A. engines will be certified to meet the United States Environmental Protection Agency (USEPA) Phase 2 emission standards. For Phase 2 certified engines, the Emissions Compliance Period referred to on the Emissions Compliance label indicates the number of operating hours for which the engine has been shown to meet Federal emission requirements. For engines less than 225 cc displacement, Category C = 125 hours, B = 250 hours and A = 500 hours. For engines of 225 cc or more, Category C = 250 hours, B = 500 hours and A = 1000 hours.

The displacement engines of Model Series 210000 is 344 cc, 280000 is 465 cc, 310000 engines is 501 cc.

This is a generic representation of the emission label typically found on a certified engine.



ASSEMBLY

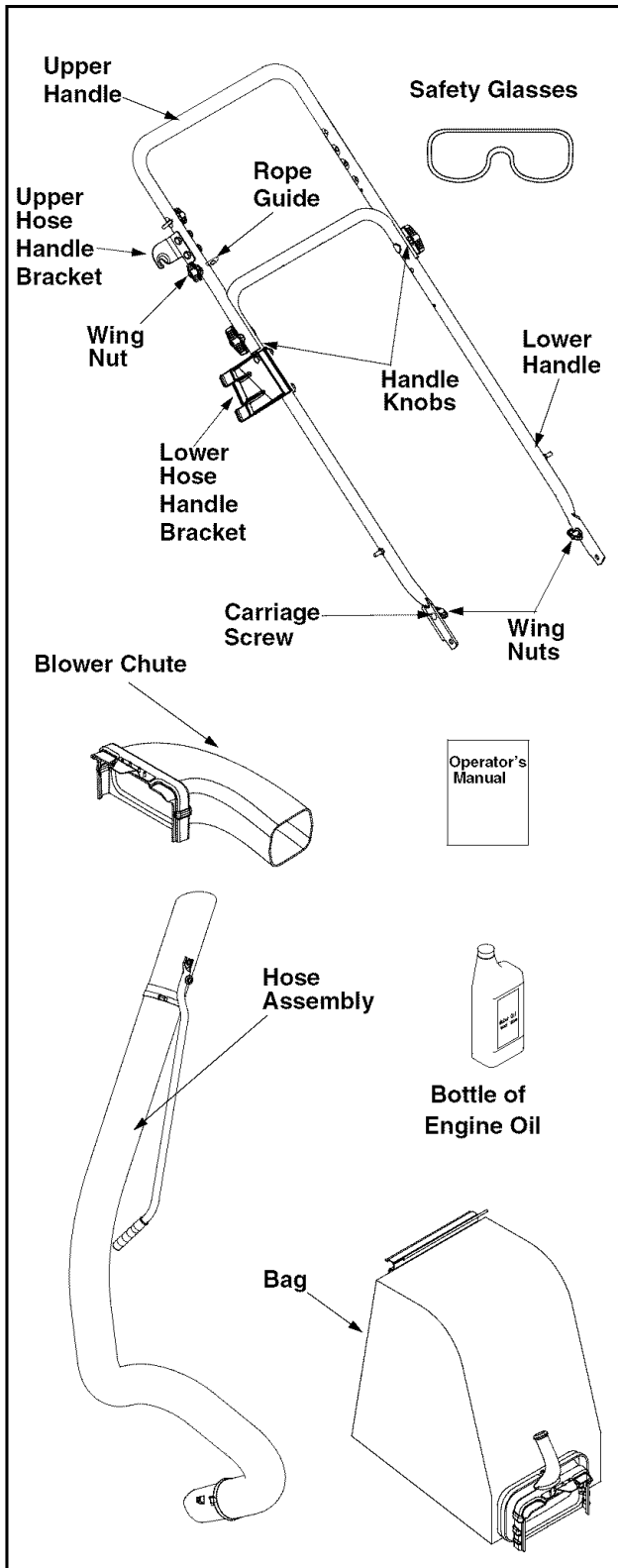


Figure 1

IMPORTANT: This unit is shipped **without gasoline or oil in the engine**. After assembly, see OPERATION section of this manual for proper fuel and engine oil fill-up.

NOTE: Reference to right and left hand side of the Yard Vacuum is observed from the operating position.

This Yard Vacuum has been completely assembled at the factory, except for the handle, bag, and blower chute. These parts are shipped loose in the carton. A pair of safety glasses, a bottle of engine oil, and the operator's manual are also included in the carton. See Figure 1.

OPENING CARTON

- Cut each corner of the carton vertically from top to bottom.
- Remove all loose parts.
- Remove loose packing material.

REMOVING UNIT FROM CARTON

- Lift unit from the rear to detach it from underlying carton material and roll unit out of carton.
- Check carton thoroughly for any other loose parts.

NOTE: Make sure not to crimp cables while removing loose parts or the entire unit from the carton.

LOOSE PARTS IN CARTON (See Figure 1)

- Upper and Lower Handle
- Hose Assembly
- Bag
- Blower Chute
- Safety Glasses
- A Bottle of Engine Oil (may be located in bag)
- Operator's Manual

DISCONNECTING SPARK PLUG

Before proceeding with assembly of your new Yard Vacuum, disconnect the spark plug wire from the spark plug and ground onto the retaining post on the engine. This will prevent accidental starting of the engine. See Figure 2.

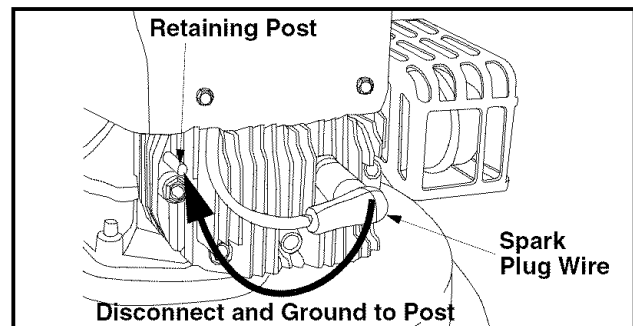


Figure 2

ATTACHING THE HANDLE

- Remove the hairpin clips from the handle brackets and remove the carriage screws and wing nuts from the lower handle. See Figure 3A.

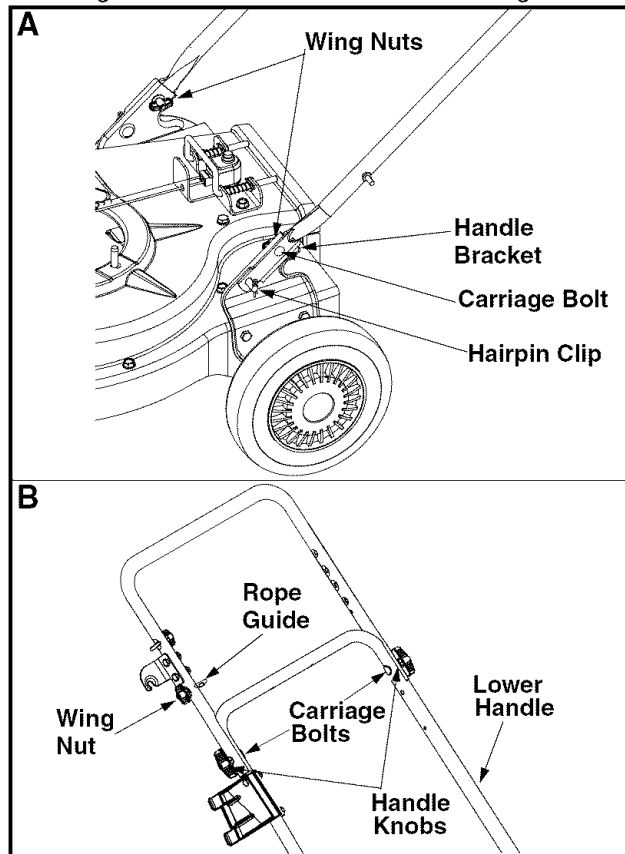


Figure 3

- Place the bottom holes in lower handle over the pins on the handle brackets and secure with hairpin clips.
- Insert carriage screws through upper hole in lower handle from the inside and secure with wing nuts.
- Unfold the upper handle until it aligns with lower handle. Make sure the rope guide is on the right side of upper handle. See Figure 3B.

IMPORTANT: Make sure the cables are routed outside the lower handle. Also, do not crimp the cables while lifting up the handles.

- Secure the two handles by tightening the handle knobs (carriage bolts must be seated properly into the handle). See Figure 3B.
- Pull the two cable ties attached to the cable end tight approximately 8 inches from each cable end and place the cables into the cable guide. See Figure 3A and B.
- Loosen the wing nut that secures the rope guide to the right side of upper handle.
- Pull the starter rope out of the engine slowly and slip the starter rope into the rope guide. Tighten the wing nut. See Figure 5A.

Attaching The Hose Assembly

- Slide hose adapter of hose assembly into the base adapter located on the left front of the Yard Vacuum. See Figure 4.

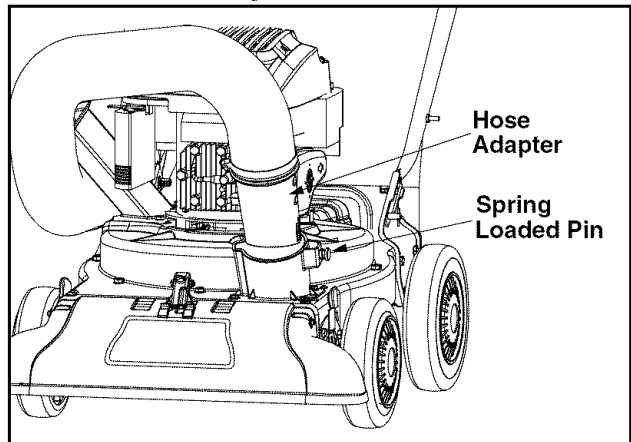


Figure 4

- Pull spring loaded pin out on the base and align pin with the first hole (closest to the end of the tube) in the hose adapter.
- Release the pin to lock the hose in place.
- Snap the hose handle first into the upper hose handle bracket and then into the lower hose handle bracket. Refer to Figure 5A.

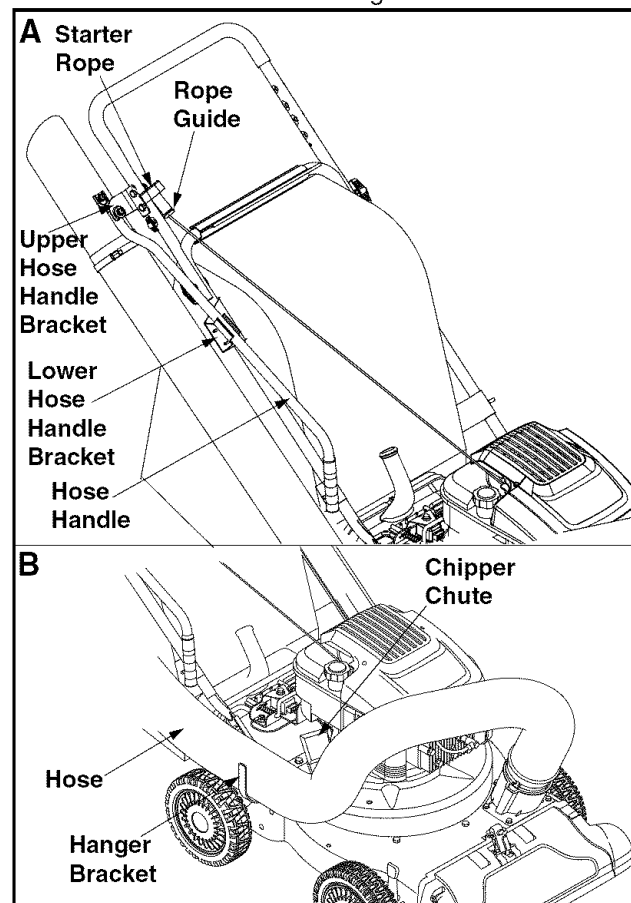


Figure 5

- Lay hose tubing on hanger bracket next to chipper chute. Refer to Figure 5B.

ATTACHING THE BAG

- Grasp bag handle with one hand and slide locking rod on mounting bracket with other hand toward engine. Use the end of mounting bracket as leverage when sliding the locking rod. See Figure 6.

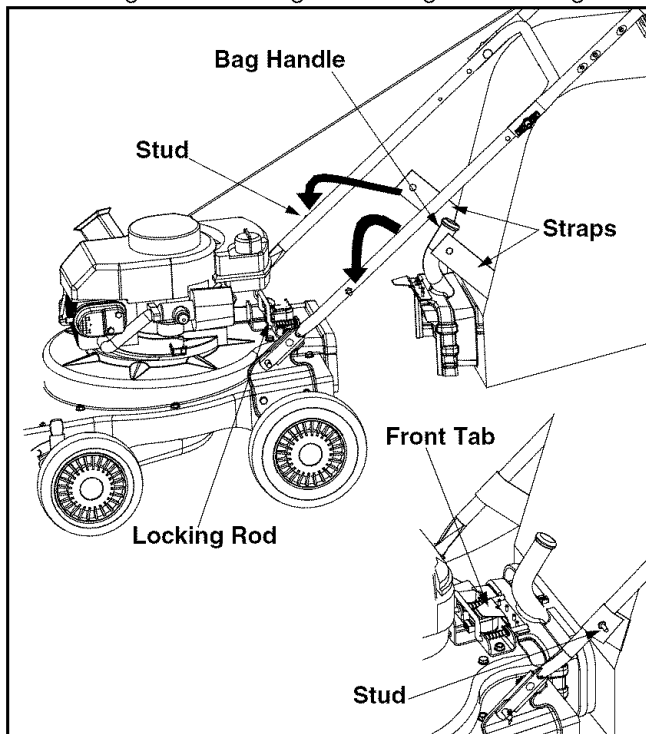


Figure 6

- Slip bag over the rim of the discharge opening and release locking rod to secure bag in place.
- Snap bag clip to the top of the lower handle.
- Place the lower straps on the bag **over** the top of lower handle, hooking them on the studs.

NOTE: The bag/chute switch button attached to the mounting bracket must be fully depressed by the tip of front tab on bag handle when securing the bag or engine will not start.

ATTACHING THE BLOWER CHUTE

NOTE: The bag must be removed before installing the blower chute.

- Grasp blower chute with one hand and slide locking rod on mounting bracket with other hand toward engine. Use the end of mounting bracket as leverage when sliding the locking rod. See Figure 7.
- Slip blower chute **over** rim of discharge opening and release locking rod to secure chute in place.
- Raise the nozzle height to the highest setting when using the blower chute. Refer to nozzle height adjustment in the ADJUSTMENT section on page 15.

NOTE: The bag/chute switch button attached to the mounting bracket must be fully depressed by the tip of front tab on the blower chute or engine will not start.

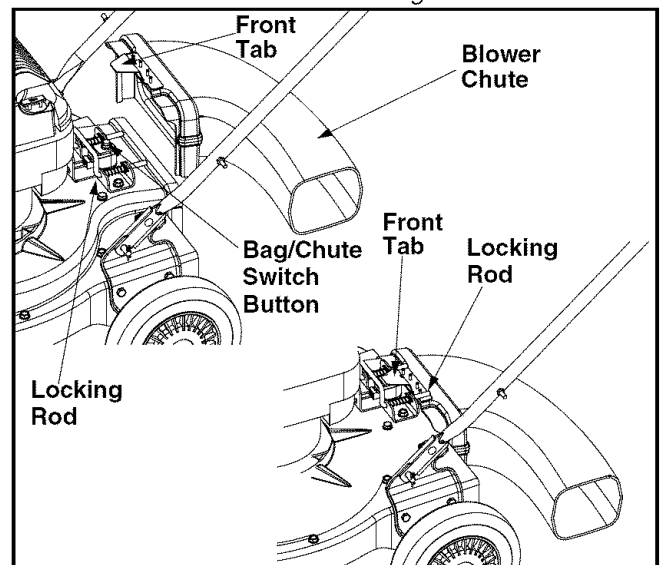


Figure 7

OPERATION

Know Your Yard Vacuum

Read this operator's manual and safety rules before operating your Yard Vacuum. Compare the illustrations below with your equipment to familiarize yourself with the location of various controls and adjustments. Save this manual for future reference.



The operation of any Yard Vacuum can result in foreign objects being thrown into the eyes, which can result in severe eye damage. **Always wear safety glasses**, provided with the Yard Vacuum, for operating this equipment or while performing any adjustments or repairs on it.

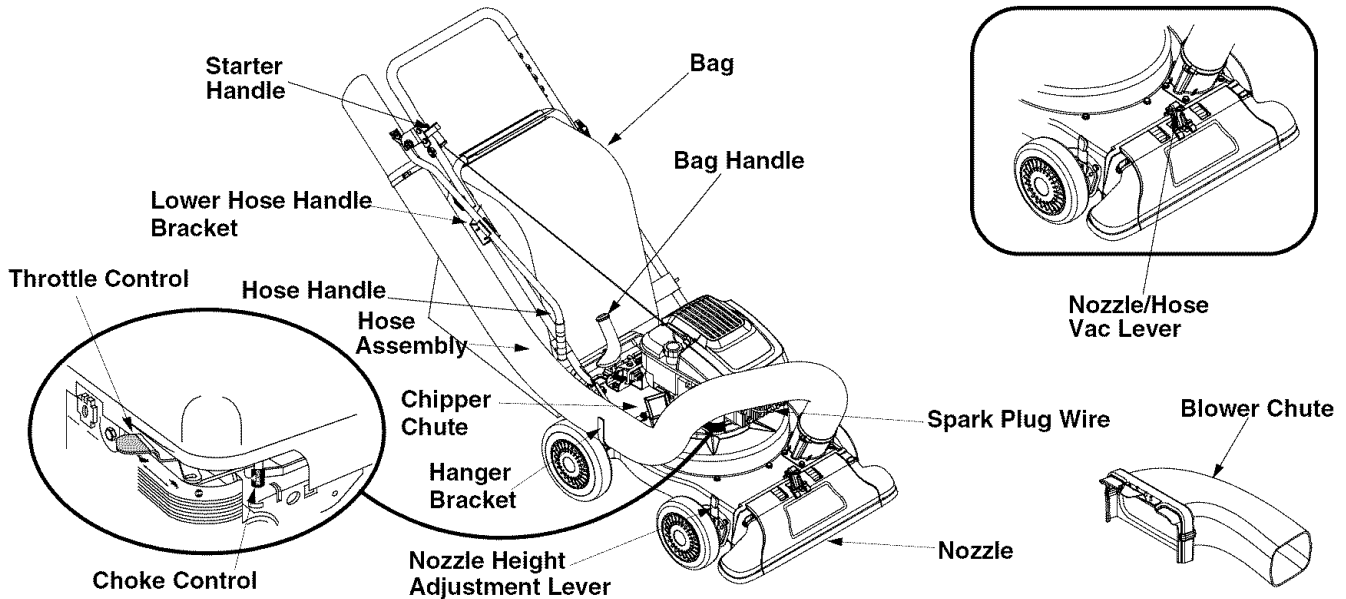


Figure 8

OPERATING CONTROLS (See Figure 8)

Chipper Chute

Allows twigs and small branches up to 1 1/2" in diameter to be fed into the impeller for chipping.

Nozzle

Yard waste such as leaves and pine needles can be vacuumed up through the nozzle for shredding.

Bag

Collects shredded material fed in through the chipper chute or vacuumed in through the nozzle.

Blower Chute

When attached to unit, the blower chute is used to blow or scatter yard waste such as leaves, pine needle, or small twigs across yard.

Bag Handle

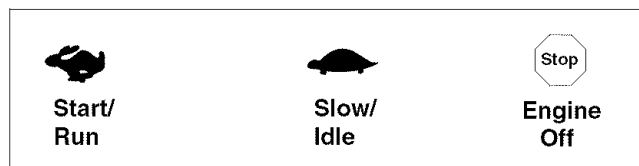
Used to grasp bag in order to assist in attaching, removing, and emptying bag.

Nozzle Height Adjustment Lever

Used to adjust the nozzle ground clearance ranging from 5/8" to 4 1/8".

Throttle Control

This lever controls the engine speed and stop function. Through three separate positions on the lever from left to right, the operation is as follows:



Choke Control

The choke control is used to choke of the carburetor and assist in starting the engine.

Starter Handle

Used to start the engine.

Meets ANSI safety standards

Craftsman Yard Vacuums conform to the safety standard of the American National Standards Institute (ANSI).

Hose Assembly

Used as an alternative to the nozzle to vacuum yard waste such as leaves or pine needles in hard to reach places.

Hose Handle

Used to guide hose assembly when vacuuming.

Nozzle/Hose Vac Lever

The nozzle/hose vac handle is located on top of the nozzle. Use it to switch vacuum suction between the nozzle and the hose assembly.

GAS AND OIL FILL-UP

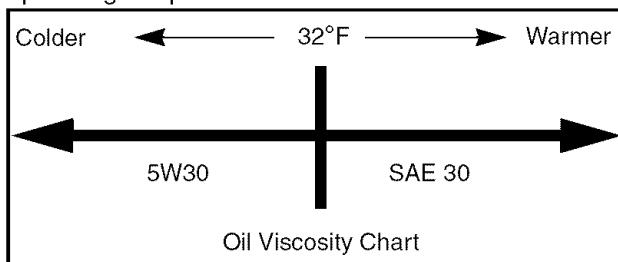
Oil (one bottle shipped with unit)

First Time Use

- Remove oil fill dipstick.
- With the Yard Vacuum on level ground, use a funnel to empty entire contents of oil bottle provided into the engine.
- Replace oil fill dipstick and tighten.

Subsequent Uses

Only use high quality detergent oil rated with API service classification SF, SG, or SH. Select the oil's SAE viscosity grade according to the expected operating temperature. Follow the chart below.



Although multi-viscosity oils (5W30, 10W30, etc.) improve starting in cold weather, they will result in increased oil consumption when used above 32°F. Check your engine oil level more frequently to avoid possible engine damage from running low on oil.

- Check the oil level making certain not to rub the dipstick along the inside walls of the oil fill tube. This would result in a false dipstick reading. Refill to FULL mark on dipstick, if necessary. Capacity is approximately 18 oz. Overfilling will cause the engine to smoke profusely and will result in poor engine performance.
- Replace oil fill dipstick and tighten.
- Keep oil level at FULL. Running the engine with too little oil can result in permanent engine damage.

Gasoline

- Remove fuel cap from the fuel tank.
- Make sure the container from which you will pour the gasoline is clean and free from rust or foreign particles. Never use gasoline that may be stale from long periods of storage in its container. Gasoline that has been sitting for any period

longer than four weeks should be considered stale.

- Fill fuel tank with clean, fresh, unleaded regular gasoline only. Do not use gasoline containing METHANOL. Replace fuel cap.
- To avoid engine problems, the fuel system should be emptied before storage for 30 days or longer. Drain the fuel from the tank by running the engine until the fuel tank is empty. Use fresh fuel next season. See STORAGE section for additional information.



WARNING: Use extreme care when handling gasoline. Gasoline is extremely flammable and the vapors are explosive. Never fuel machine indoors or while the engine is hot or running. Extinguish cigarettes, cigars, pipes, and other sources of ignition.

- Check the fuel level periodically to avoid running out of gasoline while operating the Yard Vacuum. If the unit runs out of gas as it is chipping, it may be necessary to unclog the discharge area before it can be restarted. Refer to SERVICE AND ADJUSTMENT section on page 15.

TO STOP ENGINE

- Move throttle control lever to STOP or OFF position.
- Disconnect spark plug wire and ground it to the post to prevent accidental starting while the equipment is unattended.



WARNING: When moving throttle control lever, be careful of heated surfaces and sharp edges on muffler guard.

TO START ENGINE

1. Attach spark plug wire and rubber boot to spark plug.
2. The bag/chute switch button must be fully depressed by the tip of front tab on bag handle or blower chute for engine to start.
3. Make sure bag/chute switch wire is connected to engine and grounded to mounting bracket.
4. Gas tank should be filled 3/4 to full before starting.
5. Move throttle control to START/RUN (Rabbit) position. See Figure 9.
6. Move the choke control toward the throttle control to choke the engine's carburetor. (A warm engine may not require choking.) See Figure 9.

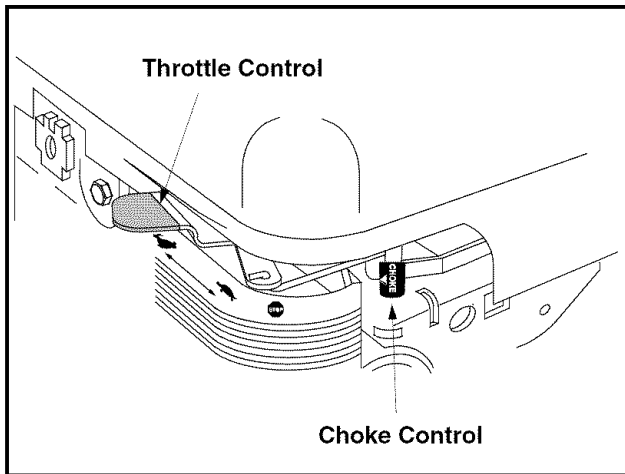


Figure 9

7. Standing behind the unit, grasp starter handle and pull rope out until you feel a drag.
8. Pull the rope with a rapid, continuous, full arm stroke. Keep a firm grip on the starter handle. Let the rope rewind slowly.
9. Repeat, if necessary, until engine starts. When engine starts, move choke control gradually away from the throttle control.
10. If engine falters, move choke control back toward the throttle control and repeat steps 7-9.
11. ALWAYS keep the throttle control in the START/ RUN position when operating the Yard Vacuum.

TO EMPTY BAG

- Unhook bag straps from the lower handle and unsnap bag clip from top of the lower handle. See Figure 10.
- Grasp bag handle with one hand and pull lock rod on mounting bracket with other hand toward engine to release.
- Lift bag off back of unit. Refer to .
- Twist the two buttons on the back of the bag to unlock and empty contents. See Figure 10.
- Hold bag handle and bag clip while emptying the contents.

- Compress bag opening and fold inner flap over opening.
- Fold outer flap over inner flap and insert buttons on the bag through metal outlets.
- Twist the buttons to lock bag.

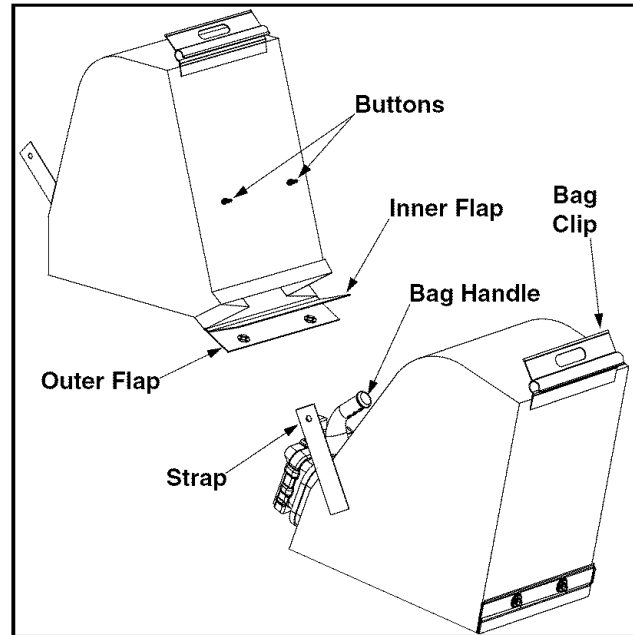


Figure 10

TO REMOVE BLOWER CHUTE

- Grasp blower chute with one hand and pull lock rod on mounting bracket with other hand toward engine to release. Refer to Figure 7.
- Remove blower chute from over the rim of the discharge opening.

Using the Nozzle Vacuum

Place nozzle/hose vac handle in the top position on the nozzle to vacuum through nozzle. See Figure 11.

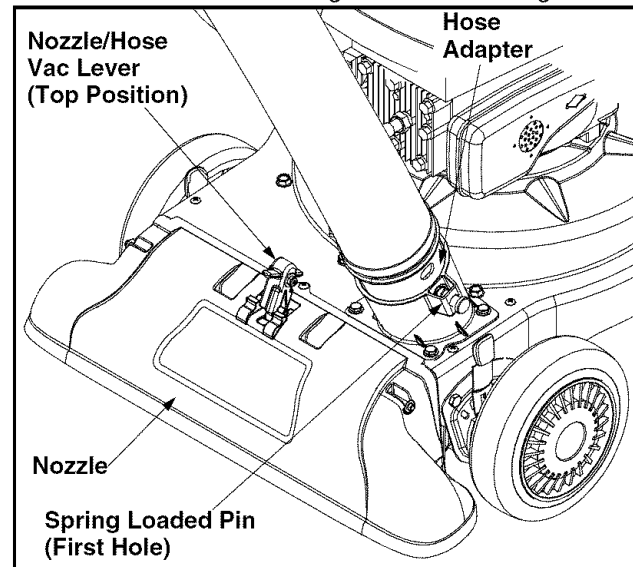


Figure 11

- The spring loaded pin must be in the first hole (closest to the end of the tube) of the hose adapter to operate the nozzle vac.
- Place both hands on top of upper handle to push unit over yard waste.

Yard waste such as leaves and pine needles can be vacuumed up through the nozzle for shredding. After material has been shredded by the flail blades on the impeller assembly, it will be discharged into catcher bag or through blower chute. Do not attempt to shred or chip any material other than vegetation found in a normal yard (i.e. branches, leaves, twigs, etc.) Avoid fibrous plants such as tomato vines until they are thoroughly dried out. Materials such as stalks or heavy branches up to 1 1/2" in diameter may be fed into the chipper chute.



WARNING: Do not attempt to shred, chip, or vacuum any material larger than specified on the machine or in this manual. Personal injury or damage to the machine could result.

IMPORTANT: The flail screen is located inside the housing in the discharge area. If the flail screen becomes clogged, remove and clean as instructed in "Service and ADJUSTMENTS" on page 15. For best performance, it is also important to keep the chipper blade sharp.



WARNING: Do not at any time make any adjustments without first stopping engine and disconnecting spark plug wire.

Using the Hose Assembly

- Place nozzle/hose vac handle in the bottom position on the nozzle to redirect vacuum to the hose assembly. See Figure 12.
- The spring loaded pin must be in the second hole of the hose adapter to operate the hose assembly.
- Unhook the hose from upper and lower hose handle brackets and grasp the hose handle to

guide the hose while vacuuming yard waste such as leaves or pine needles in hard to reach places.

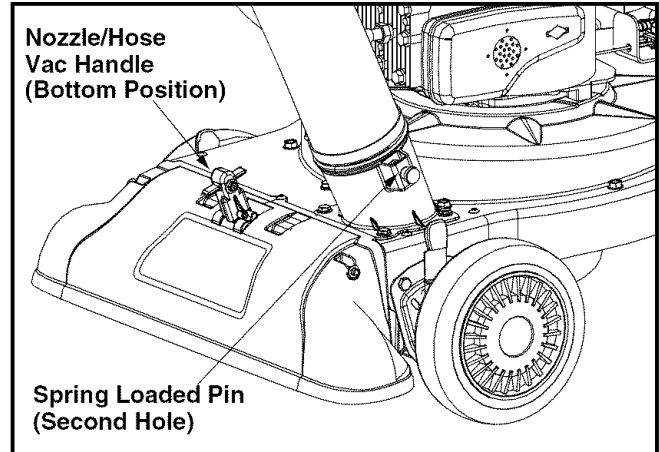


Figure 12

Nozzle Height Adjustment

The nozzle can be adjusted to any six positions, ranging from 5/8" to 4 1/8" ground clearance. The nozzle height has to be adjusted according to yard conditions. Move the height adjustment levers forward or backward to adjust the nozzle upwards or downwards. See Figure 13.

NOTE: In general, raise the nozzle height to vacuum a thick layer of leaves or to operate with the blower chute. Lower the nozzle height for smoother surfaces.

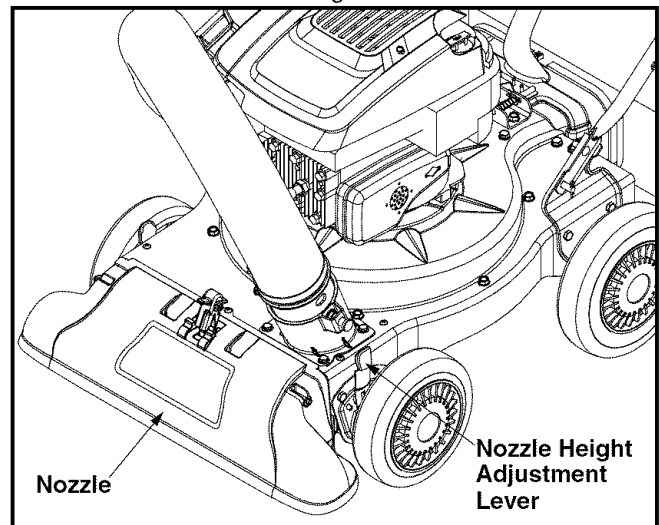


Figure 13

MAINTENANCE

Maintenance Schedule

Maint. Tasks	Before each use	After each use	After first 5 hours operation	Every 25 hours operation	Every 50 hours operation	Once a season	Before storage	Service Dates
Product: Lubrication				✓		✓	✓	
Clean Equipment		✓					✓	
Engine: Check engine oil	✓							
Change engine oil			✓	✓			✓	
Service Air Cleaner				✓				
Service spark plug					✓		✓	
Service Muffler					✓			
Clean Engine				✓			✓	

GENERAL RECOMMENDATIONS

- Always observe safety rules when performing any maintenance.
- The warranty on this Yard Vacuum does not cover items that have been subjected to operator abuse or negligence. To receive full value from the warranty, operator must maintain the equipment as instructed in this manual.
- Some adjustments will need to be made periodically to maintain your equipment properly.
- Follow the maintenance schedule.
- Periodically check all fasteners and make sure they are tight.



WARNING: Always stop the engine and disconnect and ground the spark plug wire before performing any maintenance or adjustments.

LUBRICATION

- **Wheels-** Place a few drops of SAE 30 oil on each shoulder screw once a season. Refer to Figure 19 on page 16.
- **Nozzle height adjustment levers-** Lubricate nozzle height adjustment levers with light oil. Refer to Figure 8.
- **Locking Rod-** Lubricate the lock rod and compression springs which attach to the mounting bracket. Refer to Figure 7.

CLEAN EQUIPMENT

- Clean the Yard Vacuum thoroughly after each use.
- Wash the bag periodically with water. Allow to dry thoroughly in the shade.
- If the flail screen becomes clogged, remove and clean as instructed in the SERVICE AND ADJUSTMENT section.

NOTE: *Cleaning with a forceful spray of water is not recommended as it could contaminate the fuel system.*

CHECK ENGINE OIL

- Stop engine and wait several minutes before checking oil level. With engine on level ground, the oil must be to FULL mark on dipstick.
- Remove oil fill dipstick.
- Check oil level on dipstick. Level should be at FULL mark. (If not, see “Subsequent Uses” on page 10).
- Replace oil fill dipstick and tighten.

CHANGE ENGINE OIL

- Only use high quality detergent oil rated with API service classification SF, SG, or SH. Select the oil's SAE viscosity grade according to the expected operating temperature. Refer to operation section for viscosity chart.

- Change engine oil after the first five hours of operation, and every twenty-five hours thereafter.

TO DRAIN OIL

Drain oil while engine is warm. Follow the instructions given below.

- Drain the fuel from the tank by running the engine until the fuel tank is empty.
- Remove oil fill dipstick.
- Tip unit on its side to drain through the oil fill tube.
- When engine is drained of all oil, refill with approximately 18 oz. of fresh oil. Refer to **Gas And Oil Fill-up** in OPERATION section.
- Replace oil fill dipstick and tighten.

SERVICE AIR CLEANER

The air cleaner prevents damaging dirt, dust, etc., from entering the carburetor and being forced into the engine and is important to engine life and performance. The air cleaner consists of a pleated filter. **Never run** the engine without an air cleaner completely assembled.

To Service Air Cleaner:

- Loosen screw and tilt plastic housing cover on side of engine down. See Figure 14.
- Remove pleated filter from plastic housing cover and replace with clean or new filter.
- Tilt cover up into place and tighten screw.

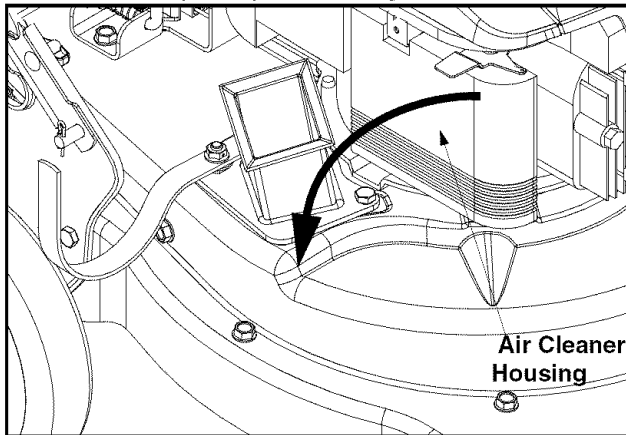


Figure 14

NOTE: If the filter is torn or damaged in any way, replace it.



WARNING: Temperature of muffler and nearby areas may exceed 150° F (65°C). Avoid these areas.

SERVICE SPARK PLUG

- Clean the spark plug and reset the gap to .030" at least once a season or every 50 hours of operation. See Figure 15. Spark plug replacement is recommended at the start of each season. Refer to engine parts list for correct spark plug type.

NOTE: Do not sandblast spark plug. Spark plug should be cleaned by scraping or wire brushing and washing with a commercial solvent.

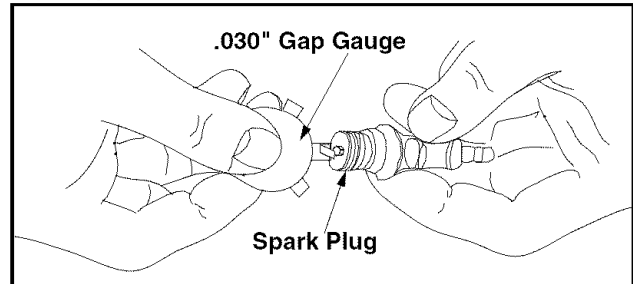


Figure 15

SERVICE MUFFLER

- Inspect muffler periodically, and replace if necessary.
- If your engine is equipped with a spark arrester screen assembly, remove after every 50 hours of use for cleaning and inspection. Replace if damaged.



WARNING: Do not operate the Yard Vacuum without a muffler or tamper with the exhaust system. Damaged mufflers or spark arresters could create a fire hazard.

CLEAN ENGINE

- Clean engine by removing dirt and debris with a cloth or brush.
- Frequently remove grass clippings, dirt, and debris from cooling fins, air intake screen, levers, and linkage. This will help ensure adequate cooling and engine speed.

SERVICE AND ADJUSTMENTS



WARNING: Do not at any time make any adjustment to the unit without first stopping engine and disconnecting spark plug wire.

Nozzle Height Adjustment

The nozzle can be adjusted to any six positions, ranging from 5/8" to 4 1/8" ground clearance. The nozzle height has to be adjusted according to yard conditions. Move the height adjustment levers forward or backward to adjust the nozzle upwards or downwards. See Figure 16.

NOTE: In general, raise the nozzle height to vacuum a thick layer of leaves or to operate with the blower chute. Lower the nozzle height for smoother surfaces.

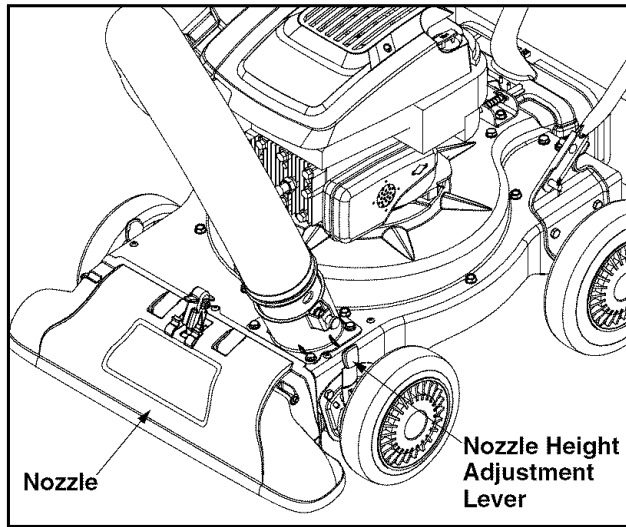


Figure 16

CARBURETOR ADJUSTMENT



WARNING: If any adjustments (e.g. carburetor) are made to the engine while the engine is running, keep clear of all moving parts. Be careful of heated surfaces and muffler.

The carburetor has been pre-set at the factory and should not require adjustment. If your engine does not operate properly due to suspected carburetor problems, take your Yard Vacuum to a Sears Parts & Repair Center for repair and adjustment.

ENGINE SPEED

The engine speed on your Yard Vacuum has been set at the factory. Do not attempt to increase the engine RPM. If you think that the engine is running too fast or too slow, take your Yard Vacuum to the nearest Sears Parts & Repair Center for repair and adjustment.



WARNING: Do not attempt to alter the engine speed by tampering with the engine's governor linkage. Doing so could result in serious personal injury and damage to the engine. The engine RPM has been set at the factory.

REMOVING THE FLAIL SCREEN

If the discharge area becomes clogged, remove the flail screen and clean area as follows.

- Stop the engine. Make certain the chipper shredder vacuum has come to a complete stop.
- Before unclogging the discharge chute, **disconnect and ground the spark plug wire to retaining post.**
- Remove the vacuum bag or blower chute from the unit as instructed in the OPERATION section to obtain access to flail screen. See Figure 17.

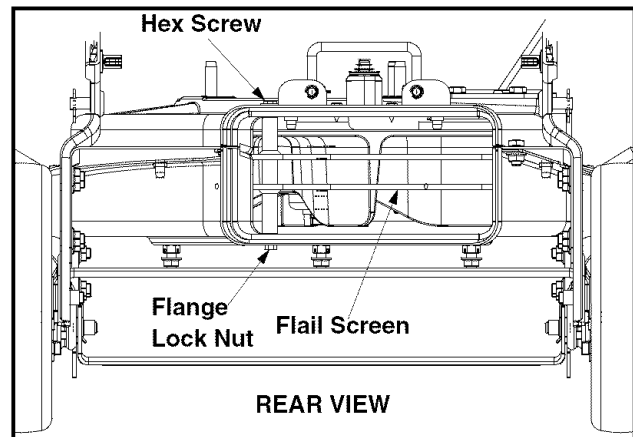


Figure 17

- Remove self-tapping screw on right side of unit that attaches to the flail screen. See Figure 18.

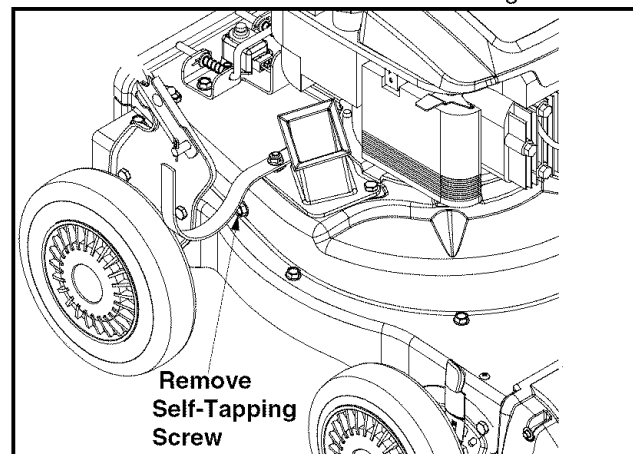


Figure 18

- Remove hex screw on top of rear housing near mounting bracket and the flange lock nut that secures flail screen. See Figure 17.
- Remove and clean the screen by scraping or washing with water. Reinstall the screen.

SHARPENING OR REPLACING CHIPPER BLADE

Because the engine on this unit has a tapered crankshaft, a special impeller removal tool (part number 753-0900) is required to remove the impeller assembly. For further assistance, contact your Sears Service Center.

NOTE: When tipping the unit, empty the fuel tank and keep engine spark plug side up.

- Disconnect and ground the spark plug wire to retaining post.
- Remove hose assembly and bag assembly.
- Remove the front hubcaps, flange lock nuts, front wheels, and wave washers that attach to the pivot arm assemblies. See Figure 19.

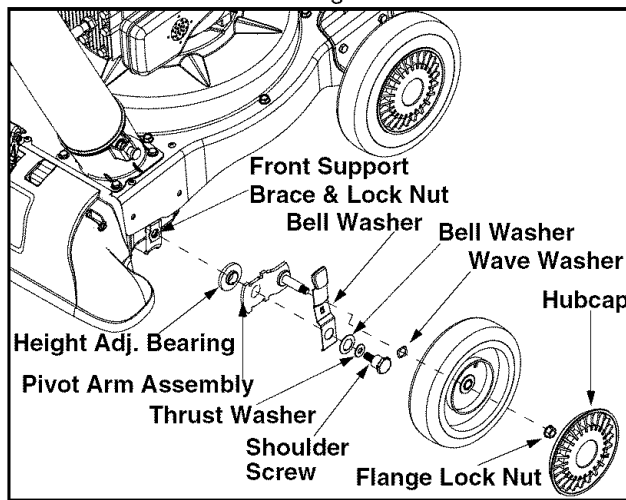


Figure 19

- Remove the shoulder screws, thrust washers, and bell washers that go through the pivot arms to the front support brace. The front support brace and lock nut can be removed at this time as well.
- Remove the three screws on the upper housing that secure the nozzle cover and the nine screws that secure the lower housing to the upper housing. See Figure 20.

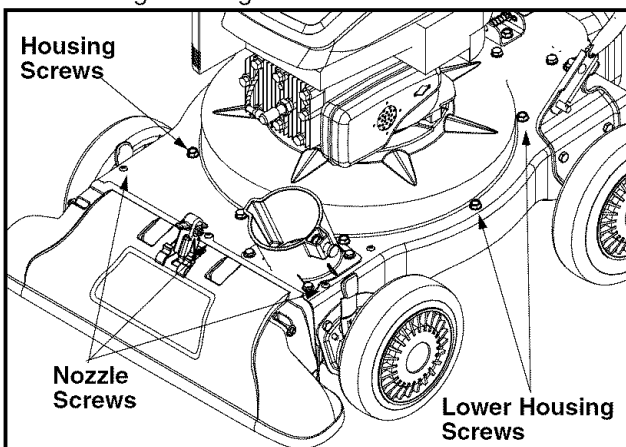
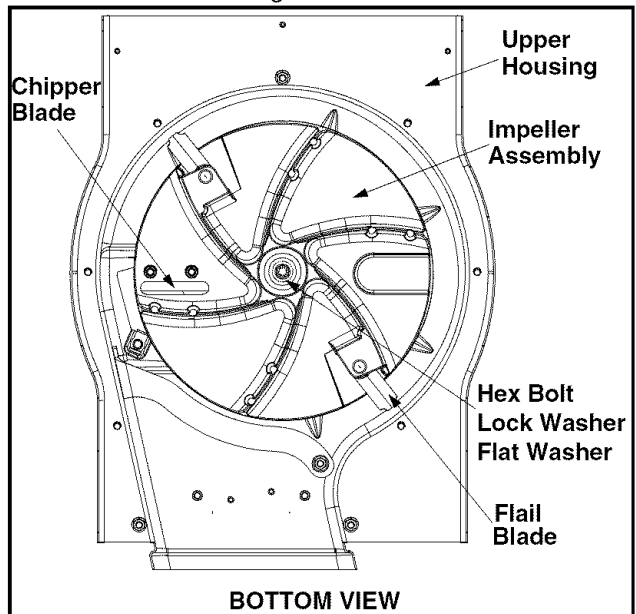


Figure 20

- Remove flange lock nut that secures flail screen to the lower housing. The flail screen does not have to be removed. Refer to Figure 17.
- Remove the hex bolt, lock washer, and flat washer that secure the impeller assembly to the crankshaft. See Figure 21.



BOTTOM VIEW

Figure 21

- Apply lubricant to the threads of impeller removal tool and then thread the tool into the crankshaft. Stop when the impeller assembly can move on the crankshaft.
- Remove the impeller assembly from the crankshaft. Unthread the impeller removal tool from the impeller assembly.
- Remove the chipper blade using a 3/16" allen wrench on the outside of the blade and 1/2" wrench on the underside of impeller assembly.
- Replace or sharpen chipper blade. The blade can be sharpened with a file or on a grinding wheel.
- When sharpening blade, protect hands by using gloves and follow the original angle of grind.
- Reassemble by performing the previous steps in the opposite order and manner of removal.
 - Tighten blade screws to 210 - 250 in-lbs.
 - Tighten impeller bolt to 375 - 425 in-lbs.

NOTE: Make certain chipper blade is reassembled with the sharp edge facing upward. See Figure 22.

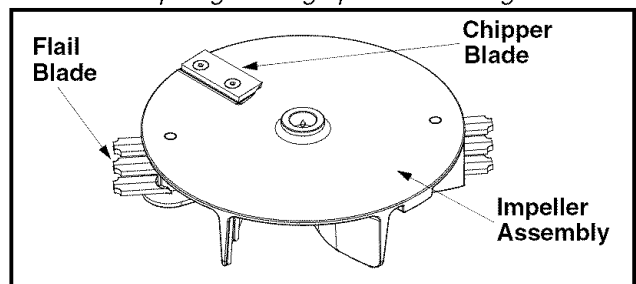


Figure 22

STORAGE

Prepare your Craftsman Yard Vacuum for storage at the end of the season or if the unit will not be used for 30 days or longer. A yearly check-up by your local Sears Parts & Repair Center is a good way to ensure that the unit runs properly next season.

Yard Vacuum

- Clean the equipment thoroughly.
- Wipe equipment with an oiled rag to prevent rust. Use a light oil or silicone to wipe.
- Service the engine following instructions below.
- Store unit in a clean, dry area. Do not store next to corrosive materials such as fertilizer.

Engine

IMPORTANT: It is important to prevent gum deposits from forming in essential fuel system parts such as the carburetor, fuel filter, fuel hose, or tank during storage. Also, alcohol blended fuels (called gasohol or using ethanol or methanol) can attract moisture which leads to separation and formation of acids during storage. Acidic gas can damage the fuel system of an engine while in storage.

NOTE: Fuel stabilizer is an acceptable alternative to emptying the tank of fuel in minimizing the formation of fuel gum deposits during storage.

- Add stabilizer to gasoline in fuel tank or storage container.

- Do not drain the gas tank and carburetor if using fuel stabilizer.

In all cases, drain all the oil from the crankcase (this should be done after the engine has been operated and is still warm) and refill the crankcase with fresh oil.

If you do not use a fuel stabilizer, follow these instructions:

- Drain the fuel from the tank by running the engine until the fuel tank is empty.
- Remove spark plug, pour approximately 1/2 ounce (approximately one tablespoon) of engine oil into cylinder and crank slowly to distribute oil.
- Replace spark plug.

Other

- Do not store gasoline from one season to another.
- Replace the gasoline can if it starts to rust. Rust and/or dirt in the gasoline will cause problems.
- Store unit in a clean, dry area. Do not store next to corrosive materials, such as fertilizer.

NOTE: If storing in an unventilated or metal storage shed, be certain to rustproof the equipment by coating with a light oil or silicone.

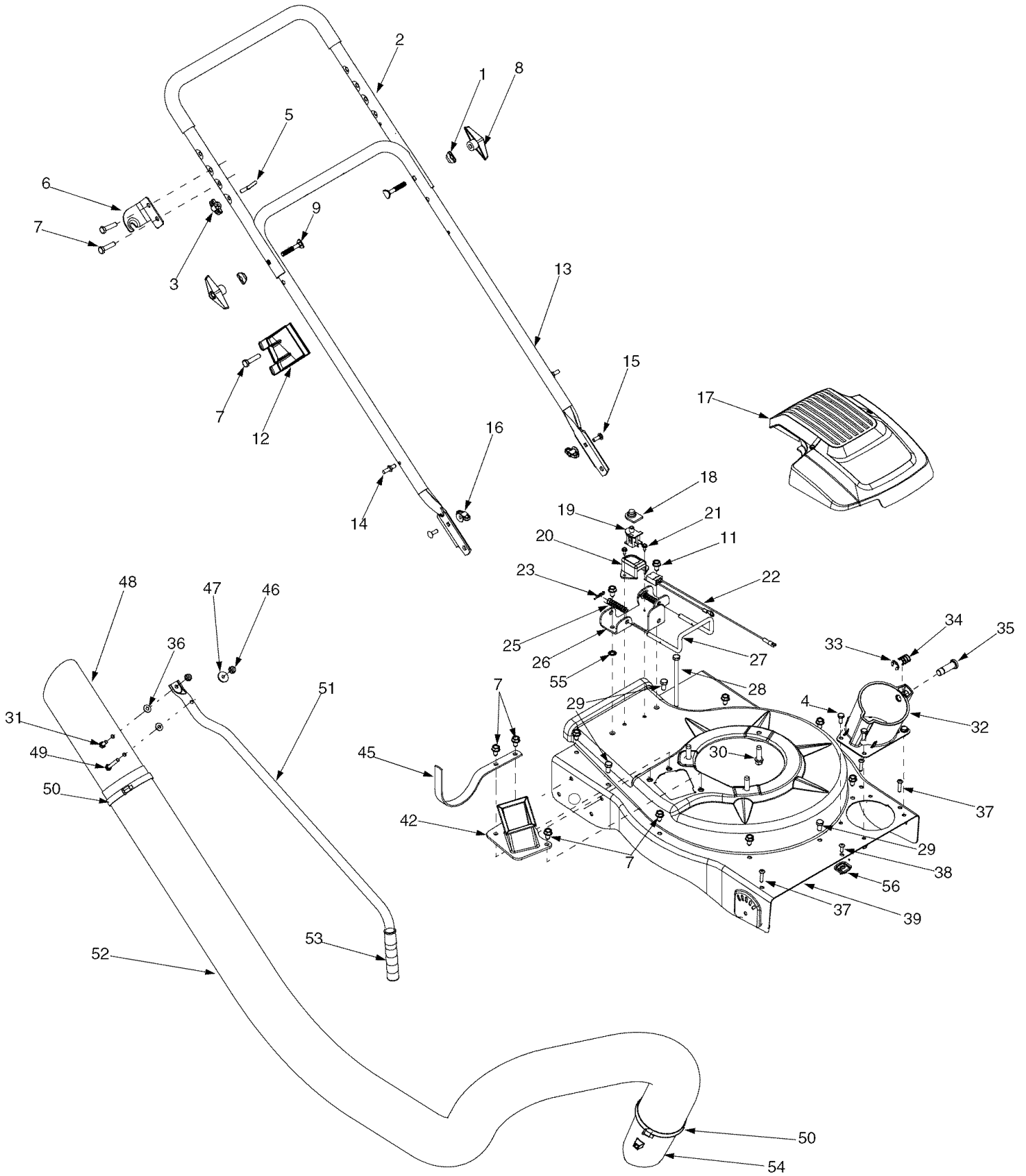
TROUBLESHOOTING

Problem	Possible Cause(s)	Corrective Action
Engine fails to start	<ol style="list-style-type: none"> 1. Fuel tank empty or stale fuel. 2. Spark plug wire disconnected. 3. Cannot pull recoil cord. 4. Choke not in ON position. 5. Faulty spark plug. 6. Safety switch not depressed. 7. Safety switch wire is not connected to engine or not properly grounded. 	<ol style="list-style-type: none"> 1. Fill tank with clean, fresh gasoline. Fuel will not last over thirty days unless a fuel stabilizer is added. 2. Connect wire to spark plug. 3. Obstruction lodged in impeller. Disconnect spark plug wire and remove lodged object. 4. Move CHOKE to ON position. 5. Clean, adjust gap or replace. 6. Safety switch must be depressed by the front tab on the bag handle when securing the bag. 7. Connect safety switch wire to engine connector and ground to mounting bracket.
Loss of power; operation erratic	<ol style="list-style-type: none"> 1. Spark plug wire loose. 2. Unit running on CHOKE. 3. Blocked fuel line or stale fuel. 4. Water or dirt in fuel system. 5. Carburetor out of adjustment. 6. Low engine RPM. 	<ol style="list-style-type: none"> 1. Connect and tighten spark plug wire. 2. Move choke lever to OFF position. 3. Disconnect fuel line at carburetor to drain fuel tank; fill tank with clean fresh gasoline. Fuel will not last over thirty days unless a fuel stabilizer is used. 4. Disconnect fuel line at carburetor to drain fuel tank. Refill with fresh fuel. 5. Contact your Sears Parts & Repair Center. 6. Always run engine at full throttle.
Too much vibration	<ol style="list-style-type: none"> 1. Loose parts or damaged impeller. 	<ol style="list-style-type: none"> 1. Stop engine immediately and disconnect spark plug wire. Have unit serviced by a Sears Parts & Repair Center.
Engine overheats	<ol style="list-style-type: none"> 1. Carburetor not adjusted 2. Engine oil level low 	<ol style="list-style-type: none"> 1. Contact your Sears Parts & Repair Center. 2. Fill crankcase with proper selection of oil.
Unit does not discharge	<ol style="list-style-type: none"> 1. Discharge area clogged. 2. Foreign object lodged in impeller. 3. Low engine RPM. 4. Vacuum bag is full. 	<ol style="list-style-type: none"> 1. Stop engine immediately and disconnect spark plug wire. Clean flail screen and inside of discharge opening. See Maintenance section of this manual. 2. Stop engine immediately and disconnect spark plug wire. Remove lodged object. 3. Always run engine at full throttle. 4. Empty bag.
Rate of discharge slows considerably or composition of discharged material changes	<ol style="list-style-type: none"> 1. Low engine RPM. 2. Chipper blade dull. 	<ol style="list-style-type: none"> 1. Always run engine at full throttle. 2. Replace chipper blade or see your Sears Parts & Repair Center.

NOTE: For repairs beyond the minor adjustments listed above, please contact your local Sears Parts & Repair Center.

PARTS LIST

Sears Craftsman 6.0 H.P. Yard Vacuum Model 247.770550



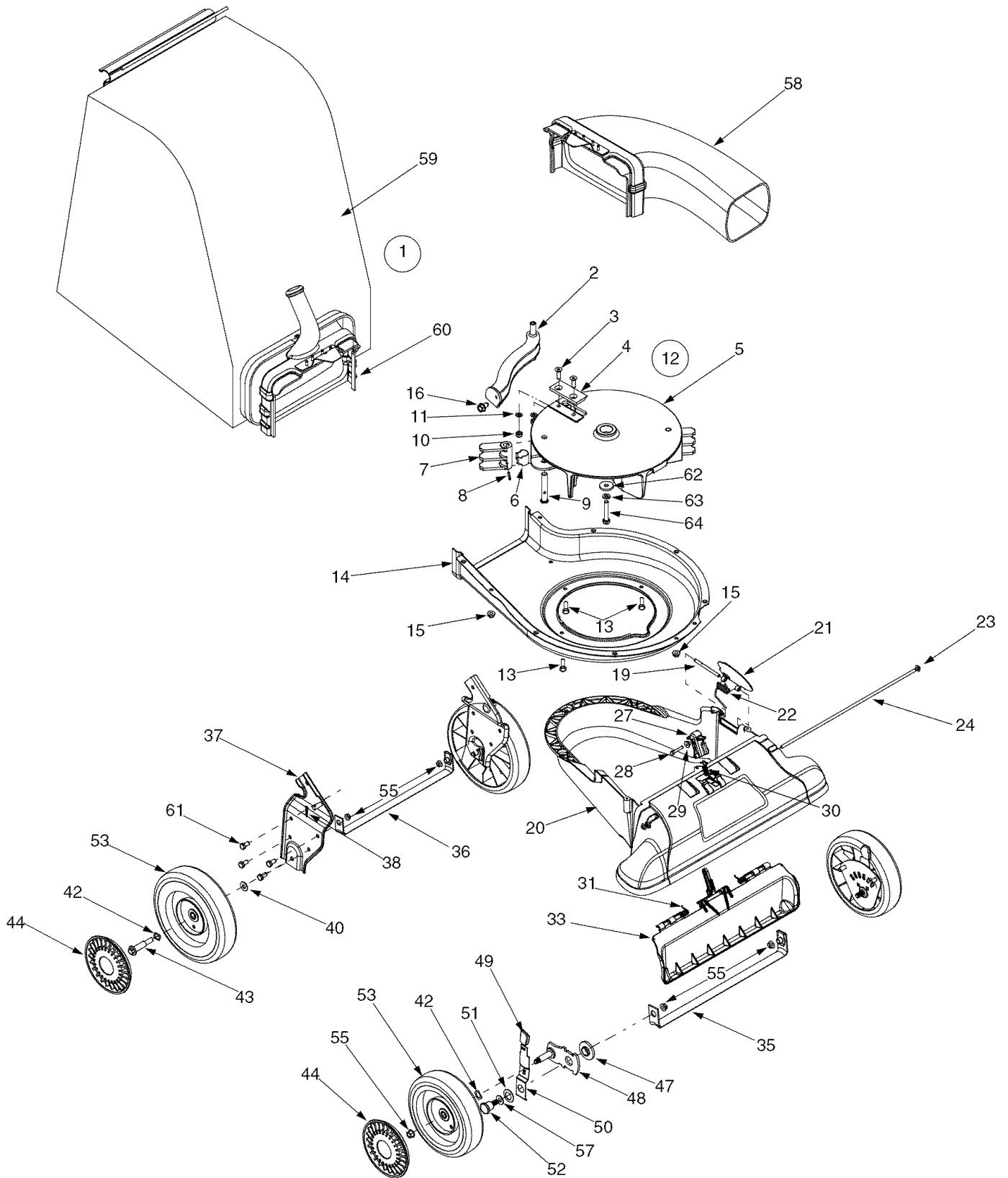
Sears Craftsman 6.0 H.P. Yard Vacuum Model 247.770550

Ref. No.	Part No.	Part Description	Ref. No.	Part No.	Part Description
1.	736-0451	Saddle Washer,.320 x.93	29.	710-3025	Hex Cap Screw 5/16-18 x.625
2.	749-04172	Upper Handle	30.	710-0502A	Hex Washer Screw 3/8-16 x 1.25
3.	720-0279	Knob	31.	710-0751	Hex Cap Screw 1/4-20 x.620
4.	710-0599	Screw, 1/4-20 x.500	32.	731-2484	Hose Base Adapter
5.	710-1205	Eye Bolt	33.	716-0104	E Ring.500 Dia
6.	781-1056	Upper Handle Bracket	34.	732-3035	Compression Spring
7.	710-0726	Hex Cap Screw 5/16-12 x.750	35.	711-1571	Clevis Pin
8.	720-0241	Handle Knob 5/16-18	36.	736-3020	Flat Washer.271 ID x.630 OD
9.	710-1174	Carriage Bolt	37.	710-1220	Screw, #12-16 x.750
12.	731-04911	Nozzle Handle Clip	38.	710-0351	Screw #10 - 16 x.500
13.	749-04165	Lower Handle	39.	781-04071	Upper Flail Housing
14.	711-1293	Studs	42.	681-0122	Chipper Chute Assembly
15.	710-0703	Carriage Screw 1/4-20 x.75	45.	781-1058	Hose Hanger Bracket
16.	712-0397	Wing Nut 1/4-20	46.	712-04064	Flange Lock Nut, 1/4-20
17.	751B699860	Shroud	47.	748-0457	Spacer
18.	725-1700	Switch Cover	48.	731-2478	Hose Nozzle
19.	725-3166	Safety Switch	49.	710-3288	Hex Cap Screw 1/4-20 x 2.625
20.	731-1613	Safety Switch Cover	50.	723-0295	Adjustment Clamp
21.	710-0224	Hex Washer Screw #10-16 x.50	51.	749-1270	Nozzle Handle
22.	629-0920A	Wire Harness	52.	764-0648	Vacuum Hose
23.	714-0104	Cotter Pin	53.	07071	Handle Grip
25.	732-0962	Compression Spring	54.	731-2292	Hose Adapter
26.	781-0778A	Mounting Bracket	55.	736-0607	External L-Washer 5/16
27.	747-1153	Lock Rod	56.	726-0139	Speed Nut
28.	710-3195	Hex Cap Screw 5/16-18 x 4.5			

NOTE: For **painted parts**, please refer to the list of color codes below. Please add the applicable color code, wherever needed, to the part number to order a replacement part. For instance, if a part, numbered 700-xxxx, is painted Sears Red, the part number to order would be 700-xxxx-0721.

Sears Red: 0721
 Oyster Grey: 0662
 Powder Black: 0637

Sears Craftsman 6.0 H.P. Yard Vacuum Model 247.770550



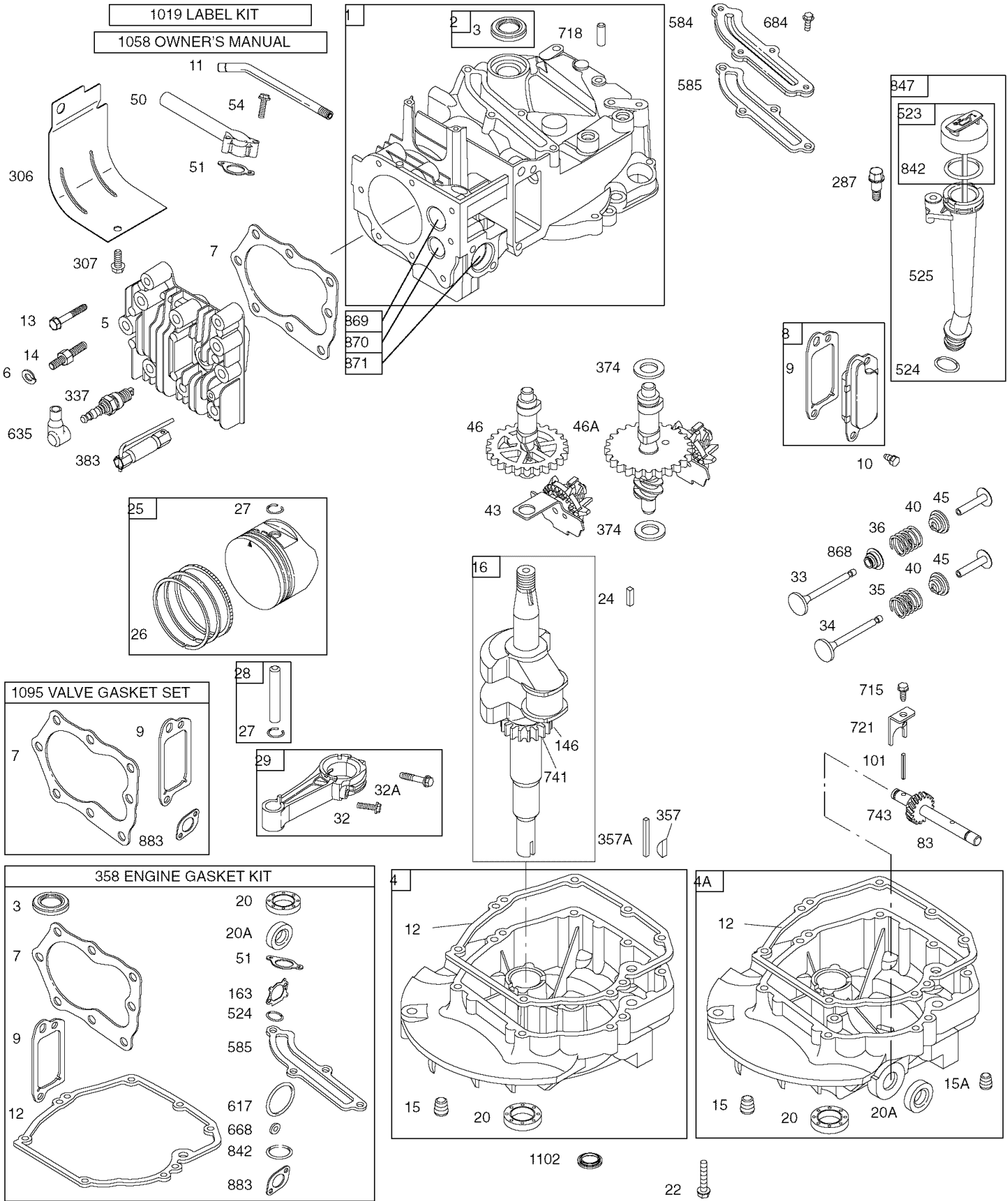
Sears Craftsman 6.0 H.P. Yard Vacuum Model 247.770550

Ref. No.	Part No.	Part Description	Ref. No.	Part No.	Part Description
1.	664-0094	Bag Assembly	33.	731-2294A	Nozzle Door
2.	681-0154	Screen Assembly	35.	781-04082	Front Wheel Support Brace
3.	710-1054	Hex Screw 5/16-24 x 1.0	36.	781-04081	Rear Wheel Support Brace
4.	781-0490	Chipper Blade	37.	681-0156A	Handle Bracket Ass'y RH
5.	719-0530A	Impeller		681-0155A	Handle Brkt Ass'y LH (Not Shown)
6.	781-0735	Pin Clip	38.	714-0104	Cotter Pin
7.	719-0329	Flail	40.	736-0105	Bell Washer.401 ID x.870 OD
8.	715-0166	Spiral Pin	42.	736-0232	Wave Washer.531 ID x.781 OD
9.	711-1401	Clevis Pin	43.	738-1015	Shoulder Screw 3/8-16
10.	712-0411	Lock Nut, 5/16-24	44.	731-0981A	Hubcap
11.	736-0119	Lock Washer, 5/16	47.	741-0751	Height Adjustment Bearing
12.	681-0152	Impeller Assembly (Incl. Ref 3 – Ref. 11)	48.	687-02094	Pivot Arm Assembly
13.	710-1650	Shoulder Screw, #12-24 x.30 x.46	49.	720-0426	Height Adjustment Knob
14.	781-0721B	Lower Flail Housing	50.	732-1026	Spring Lever
15.	712-04063	Flange Lock Nut 5/16-18	51.	736-0741	Bell Washer.760 ID x.25 OD
16.	710-0607	Screw, 5/16-18 x.500	52.	738-1172	Shoulder Screw,.750 x.500
19.	747-04297	Hinge Pin	53.	734-2004A	Wheel 8 x 2.125
20.	731-2293A	Nozzle	55.	712-04065	Flange Lock Nut, 3/8-16
21.	781-1064	Base Adapter Door	57.	736-0314	Thrust Washer.375 ID x.70 OD
22.	732-1156	Torsion Spring	58.	631-0090	Blower Chute
23.	726-0106	Cap Speed Nut 1/4	59.	764-0631A	Bag
24.	711-1551	Pivot Rod	60.	631-0083	Chute Assembly
27.	731-2485A	Nozzle Door Lever	61.	710-0726	Hex Index Screw, 5/16-12 x.750
28.	710-1256	Hex Screw, #8-18 x 1.25	62.	736-0247	Flat Washer.375 ID x 1.25 OD
29.	750-1294	Shoulder Spacer	63.	736-0217	Lock Washer 3/8
30.	732-3118	Extension Spring	64.	710-0818	Hex Cap Screw 3/8-24 x 2.0
31.	732-1151A	Nozzle Door Torsion Spring	—	723-0400	Safety Glasses (Not Shown)

NOTE: For **painted parts**, please refer to the list of color codes below. Please add the applicable color code, wherever needed, to the part number to order a replacement part. For instance, if a part, numbered 700-xxxx, is painted Sears Red, the part number to order would be 700-xxxx-0721.

Sears Red: 0721
 Oyster Grey: 0662
 Powder Black: 0637

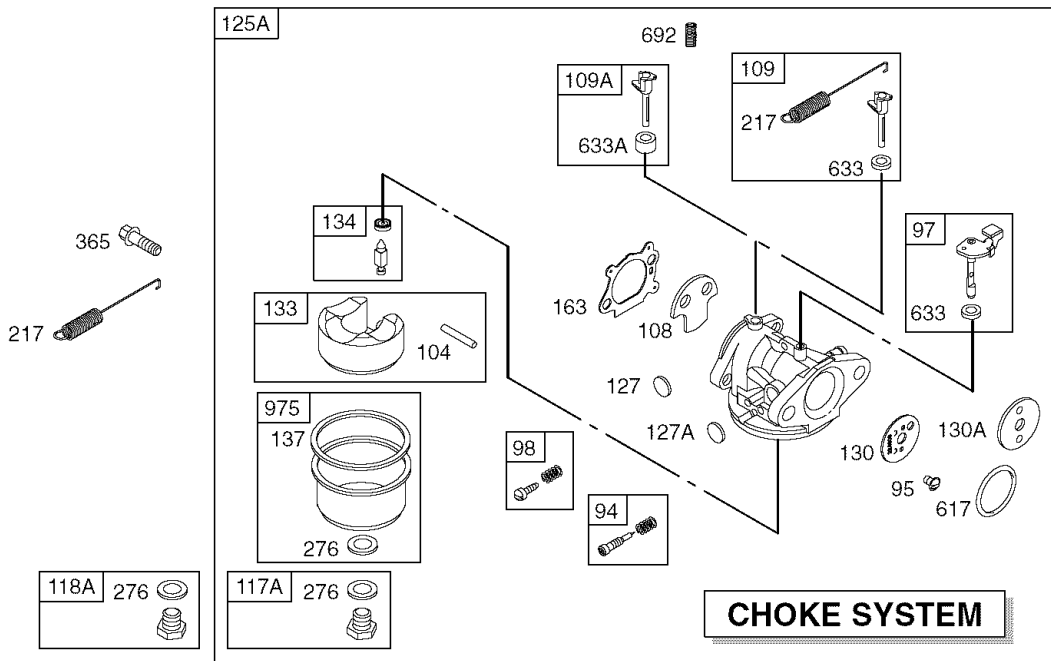
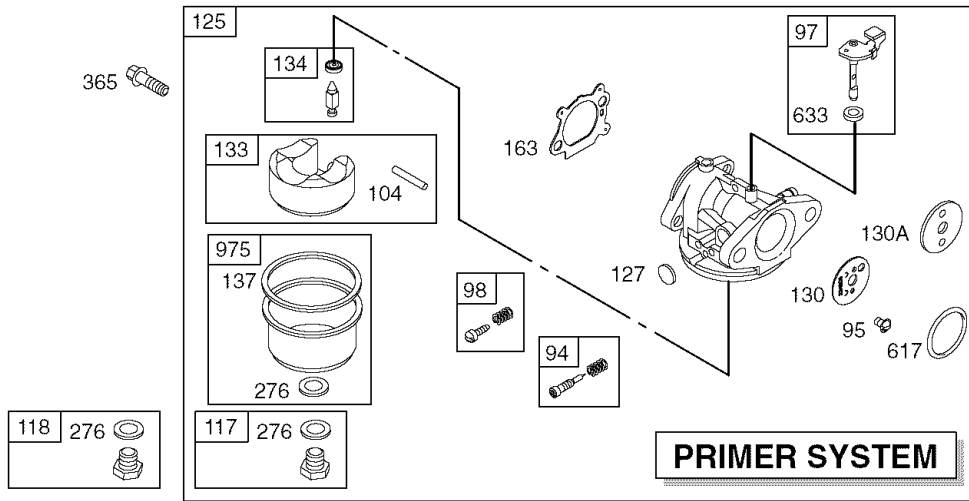
Sears Craftsman 6.0 H.P. Engine Model No. 123K02



Illustrations cover a range of engines. Parts shown without corresponding text may not be used on your specific engine.
 0990-2 Assemblies include all parts shown in frames.



Sears Craftsman 6.0 H.P. Engine Model No. 123K02



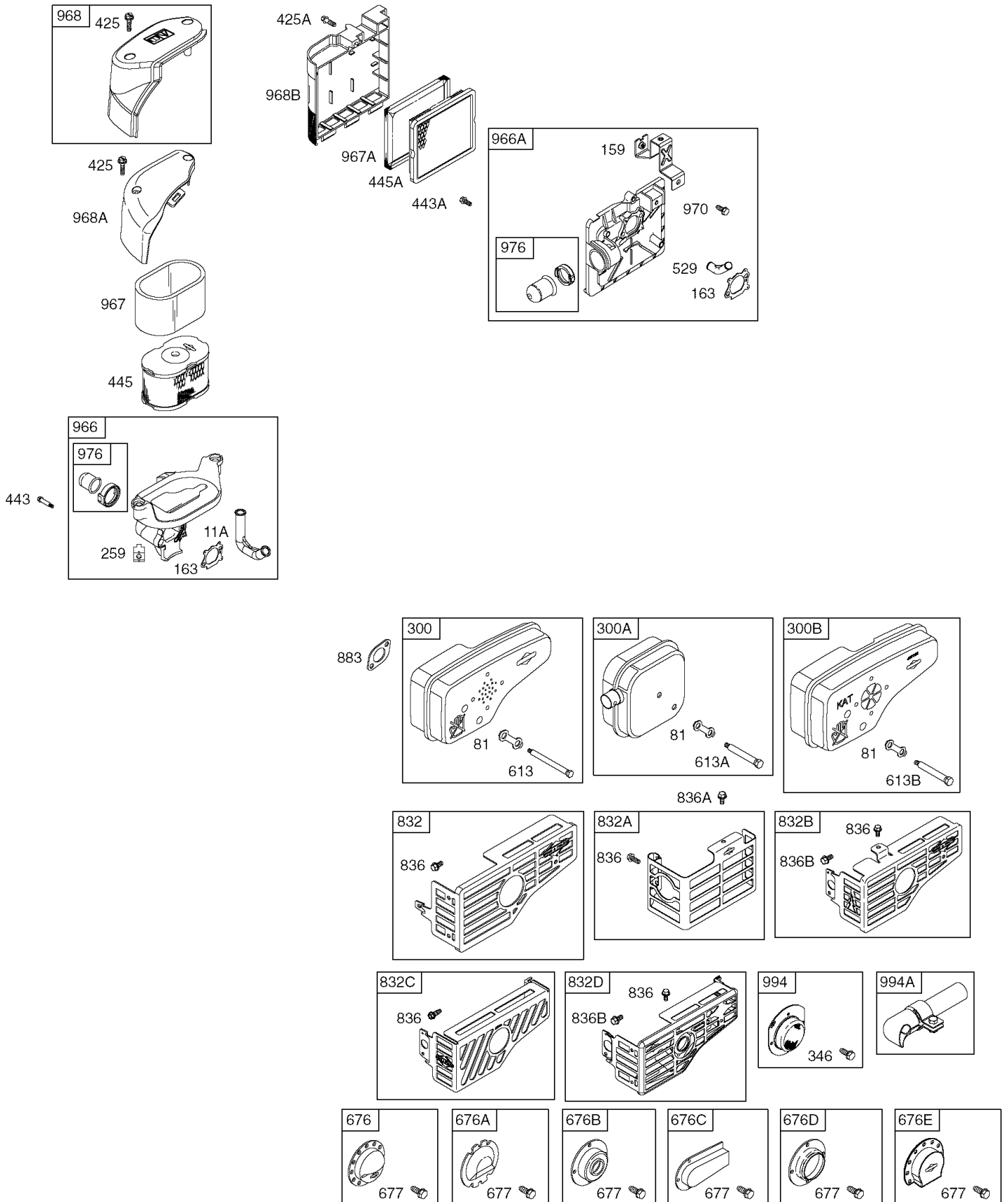
121 CARBURETOR OVERHAUL KIT		
94	134	276
104	137	617
127		633
127A	163	633A

977 CARBURETOR GASKET SET		
137	276	633
163	617	633A

Illustrations cover a range of engines. Parts shown without corresponding text may not be used on your specific engine.
0990-3 Assemblies include all parts shown in frames.

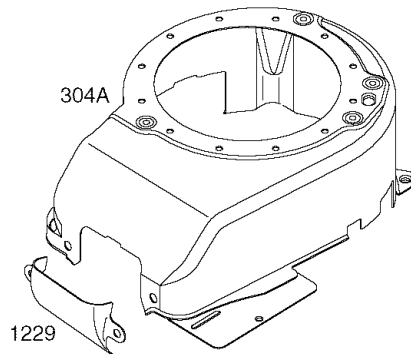
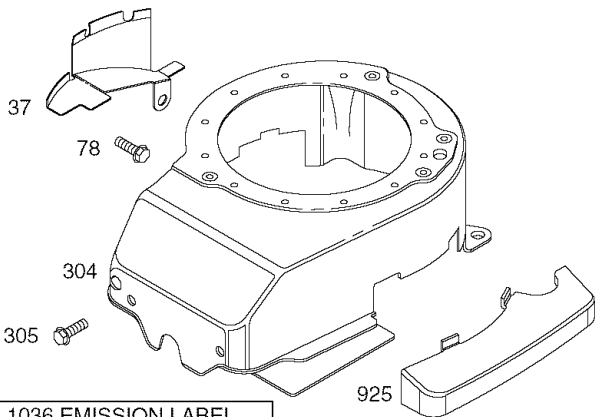
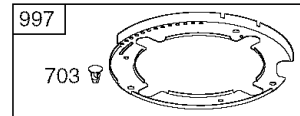
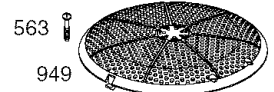
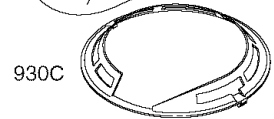
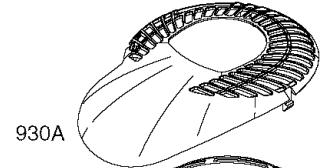
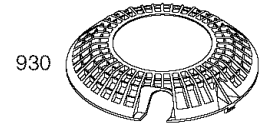
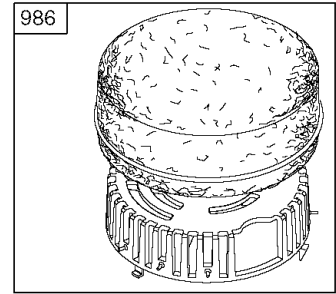
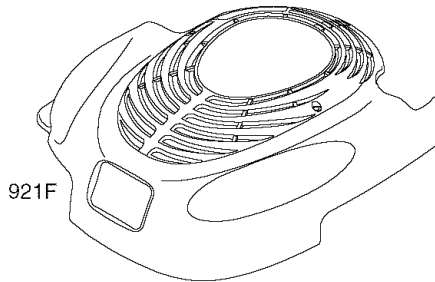
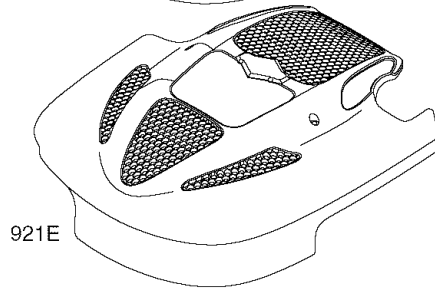
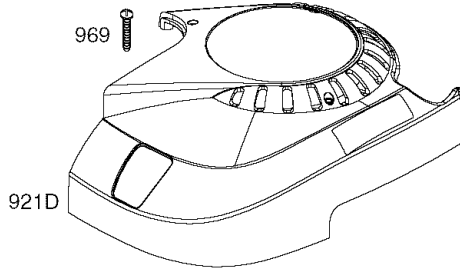
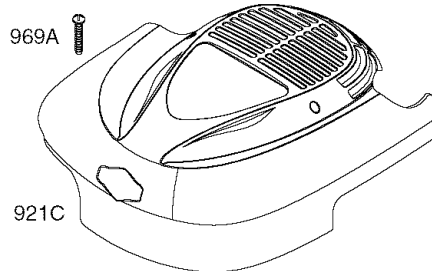
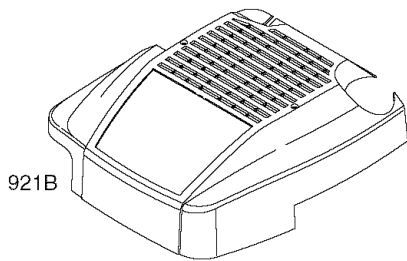
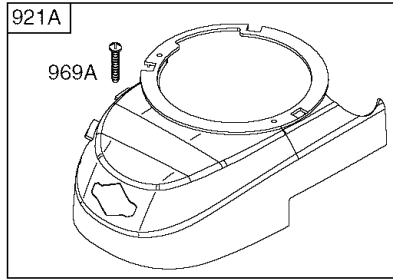
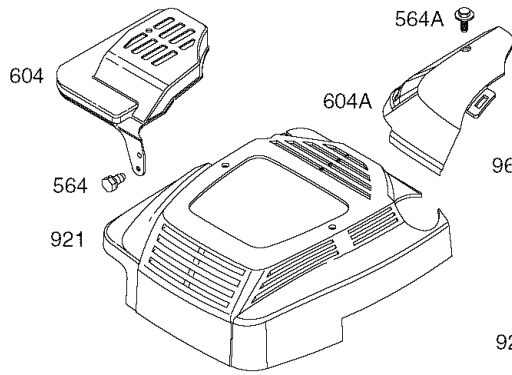


Sears Craftsman 6.0 H.P. Engine Model No. 123K02



Illustrations cover a range of engines. Parts shown without corresponding text may not be used on your specific engine.
0990-4 Assemblies include all parts shown in frames.

Sears Craftsman 6.0 H.P. Engine Model No. 123K02

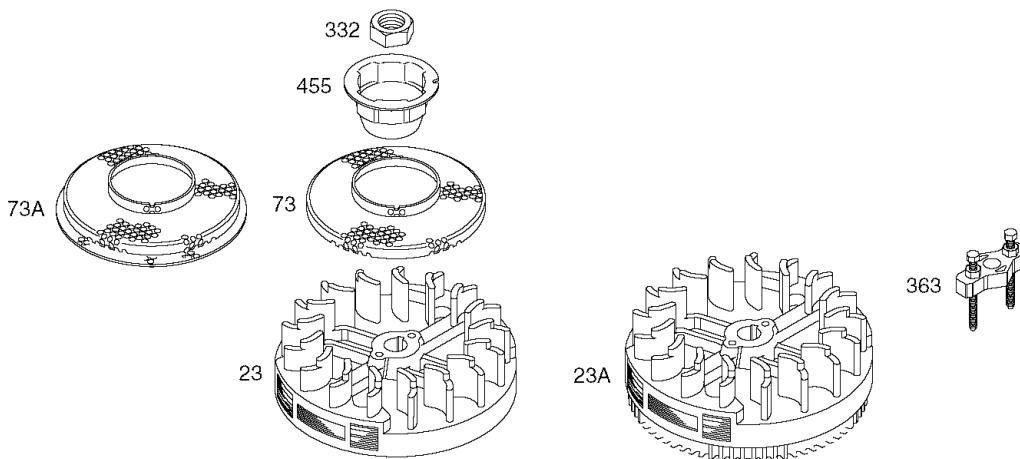
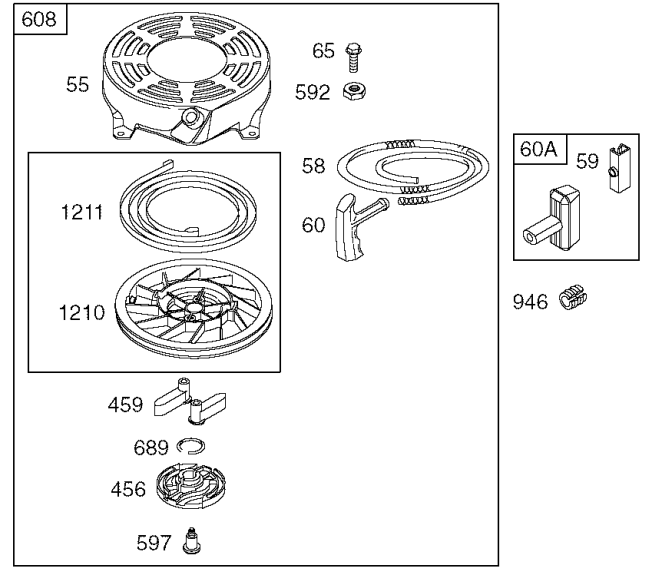
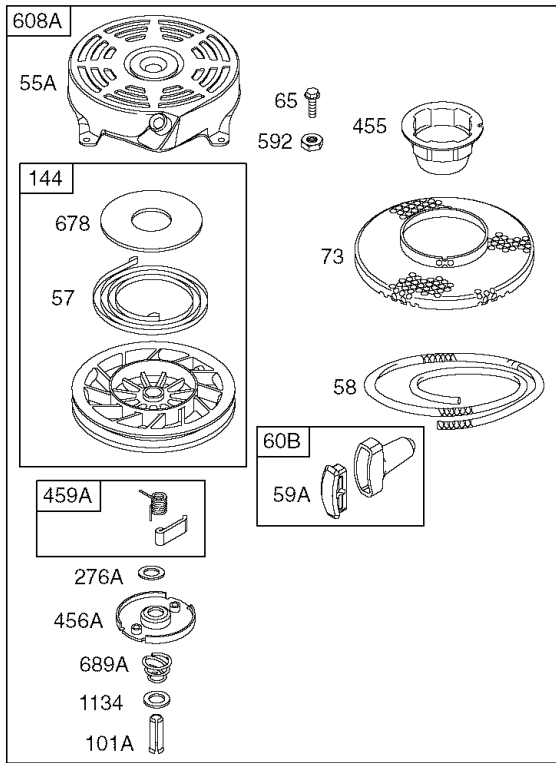


1036 EMISSION LABEL

Illustrations cover a range of engines. Parts shown without corresponding text may not be used on your specific engine.
0990-6 Assemblies include all parts shown in frames.

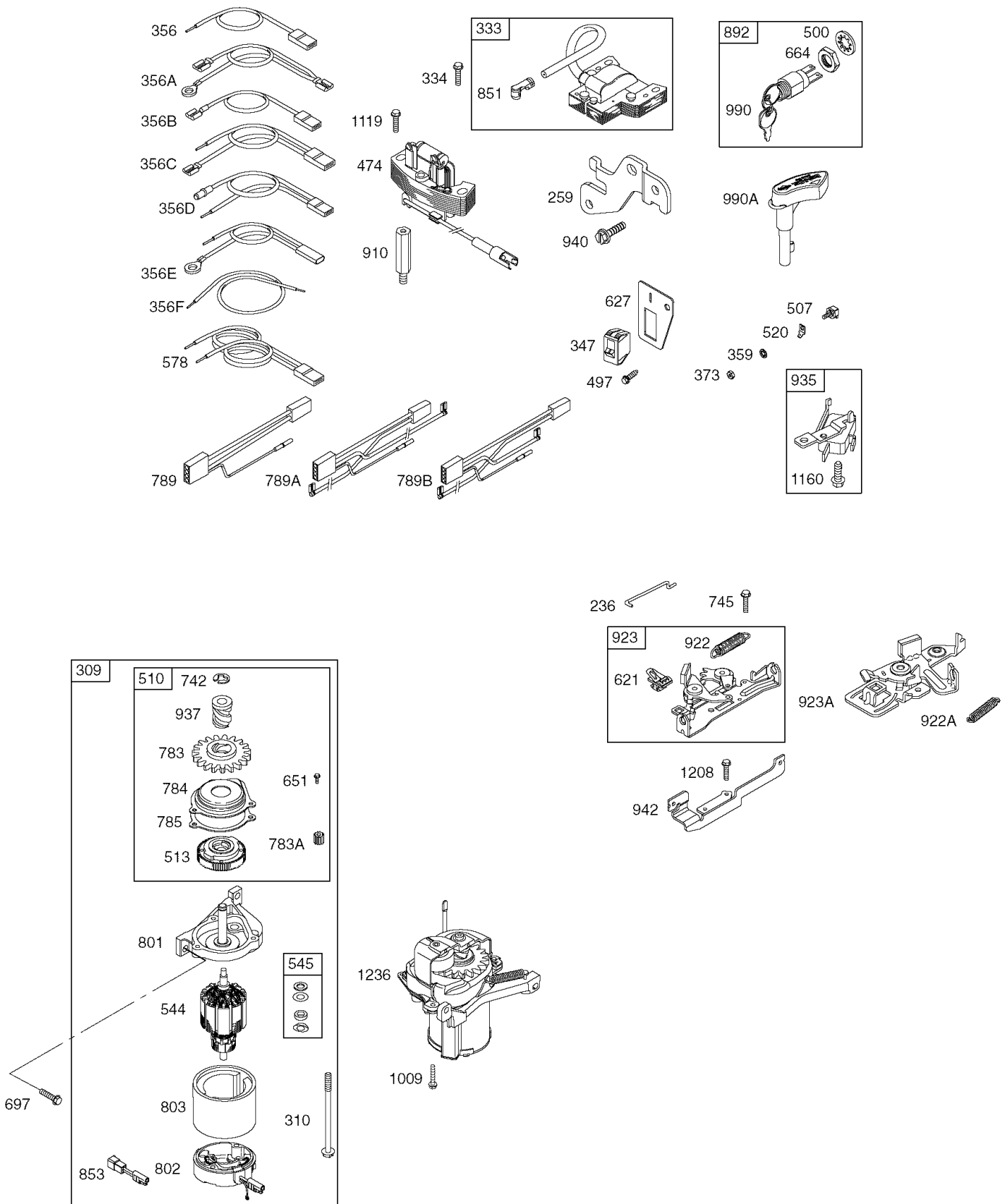


Sears Craftsman 6.0 H.P. Engine Model No. 123K02



Illustrations cover a range of engines. Parts shown without corresponding text may not be used on your specific engine.
 0990-7 Assemblies include all parts shown in frames.

Sears Craftsman 6.0 H.P. Engine Model No. 123K02



Illustrations cover a range of engines. Parts shown without corresponding text may not be used on your specific engine.
 0990-8 Assemblies include all parts shown in frames.



Sears Craftsman 6.0 H.P. Engine Model No. 123K02

REF. NO.	PART NO.	DESCRIPTION	REF. NO.	PART NO.	DESCRIPTION	REF. NO.	PART NO.	DESCRIPTION
20	★399781	Seal—Oil (PTO Side)	25	499429	Piston Assembly (Standard) (Used After Code Date 97011200).	26	499425	Ring Set (Standard) (Used After Code Date 97011200).
20A	★691952	Seal—Oil (PTO Side) (Auxilliary PTO)			————— Note —————			————— Note —————
22	691092	Screw (Crankcase Cover/ Sump)		493262	Piston Assembly (Standard) (Used Before Code Date 97011300).		493261	Ring Set (Standard) (Used Before Code Date 97011300).
23	692315	Flywheel (Rewind Start)						
23A	691987	Flywheel (Electric Start)		499430	Piston Assembly (.010" Oversize) (Used After Code Date 97011200).		499426	Ring Set (.010" Oversize) (Used After Code Date 97011200).
		————— Note ————— 691992 Flywheel (Electric Start) Used on Type No(s). 0667, 1149, 1167, 1369, 1548, 1559, 1569, 1714, 1715, 1919, 1932, 1941, 1942, 1955, 2320, 2324, 2331, 2349, 2367, 2383, 2391, 2635, 2669, 2673, 2681, 3133, 3178, 3179, 3183.		493385	Piston Assembly (.010" Oversize) (Used Before Code Date 97011300).		493388	Ring Set (.010" Oversize) (Used Before Code Date 97011300).
		696291 Flywheel (Electric Start) Used on Type No(s). 1717, 1718, 1719, 1754, 2326, 3181.		499431	Piston Assembly (.020" Oversize) (Used After Code Date 97011200).		499427	Ring Set (.020" Oversize) (Used After Code Date 97011200).
24	222698	Key—Flywheel		493386	Piston Assembly (.020" Oversize) (Used Before Code Date 97011300).		493389	Ring Set (.020" Oversize) (Used Before Code Date 97011300).
				499432	Piston Assembly (.030" Oversize) (Used After Code Date 97011200).		499428	Ring Set (.030" Oversize) (Used After Code Date 97011200).
				493387	Piston Assembly (.030" Oversize) (Used Before Code Date 97011300).	27	691866	Lock—Piston Pin (Used After Code Date 97011200).
								————— Note ————— 691588 Lock— Piston Pin (Used Before Code Date 97011300).

★ Included in Engine Gasket Set—Ref. No.358.

● Included in Carburetor Overhaul Kit—Ref. No. 121.

◆ Included in Carburetor Gasket Set—Ref. No. 977.

⊗ Included in Valve Gasket Set—Ref. No 1095.

Illustrations cover a range of engines. Parts shown without corresponding text may not be used on your specific engine.

0990—10

Assemblies include all parts shown in frames.

Sears Craftsman 6.0 H.P. Engine Model No. 123K02

REF. NO.	PART NO.	DESCRIPTION	REF. NO.	PART NO.	DESCRIPTION	REF. NO.	PART NO.	DESCRIPTION
28	499423	Pin-Piston (Standard) (Used After Code Date 97011200). ----- Note ----- 298909 Pin-Piston (Standard) (Used Before Code Date 97011300). 298908 Pin-Piston (.005" Oversize) (Used Before Code Date 97011300).	43	691997	Slinger-Governor/Oil ----- Note ----- 691486 Slinger-Governor/Oil Used on Type No(s). 1167, 1715, 2367, 2673, 3183.	50	497465	Manifold-Intake
29	499424	Rod-Connecting (Standard) (Used After Code Date 97011200). ----- Note ----- 490566 Rod-Connecting (Standard) (Used Before Code Date 97011300). 490743 Rod-Connecting (.020" Undersize) (Used Before Code Date 97011300).	45	690548	Tappet-Valve	51	★272199	Gasket-Intake
32	691664	Screw (Connecting Rod)	46	691449	Camshaft (Used After Code Date 96060200). ----- Note ----- 492830 Camshaft (Used Before Code Date 96060300).	54	691650	Screw (Intake Manifold)
32A	695759	Screw (Connecting Rod) (Used After Code Date 00042200).	46A	691460	Camshaft (Clockwise) (Used After Code Date 96060200). Used on Type No(s). 0823, 1923. ----- Note ----- 493740 Camshaft (Clockwise) (Used Before Code Date 96060300). Used on Type No(s). 0823. 691459 Camshaft (Counterclockwise) (Used After Code Date 96060200). Used on Type No(s). 0662, 1315, 1367, 1538, 1762, 1934, 1947, 1949, 1982, 1989, 2312, 2313, 2314, 2315, 2316, 2330, 2351, 2352, 2360, 2378, 2385, 2394, 3115, 3173. 493738 Camshaft (Counterclockwise) (Used Before Code Date 96060300). Used on Type No(s). 1538	55	691421	Housing-Rewind Starter
33	262651	Valve-Exhaust				58	280399	Rope-Starter (Cut To Required Length)
34	262652	Valve-Intake				60	281434	Grip-Starter Rope
35	691270	Spring-Valve (Intake)				65	690837	Screw (Rewind Starter)
36	691270	Spring-Valve (Exhaust)				78	691108	Screw (Flywheel Guard)
37	694086	Guard-Flywheel				81	691740	Lock-Muffler Screw
40	692194	Retainer-Valve				83	691778	Shaft-Auxiliary Drive Used on Type No(s). 0823, 1923, 1947, 1949, 1989. ----- Note ----- 690527 Shaft-Auxiliary Drive Used on Type No(s). 0662, 1315, 1538, 1762, 2312, 2313, 2314, 2315, 2316, 2351, 2352, 2360, 2378, 2385, 2394, 3115, 3173. 690521 Shaft-Auxiliary Drive Used on Type No(s). 1934, 1982, 2330.
						95	691636	Screw (Throttle Valve)
						97	493267	Shaft-Throttle ----- Note ----- 696565 Shaft-Throttle (Primer System) (Used After Code Date 01040800).
						98A	493280	Kit-Idle Speed
						101	691623	Pin-Shaft
						104	●691242	Pin-Float Hinge
						108	691182	Valve-Choke
						109A	498593	Shaft-Choke

★ Included in Engine Gasket Set-Ref. No.358.

● Included in Carburetor Overhaul Kit-Ref. No. 121.

◆ Included in Carburetor Gasket Set-Ref. No. 977.

⊗ Included in Valve Gasket Set-Ref. No 1095.

Illustrations cover a range of engines. Parts shown without corresponding text may not be used on your specific engine.

0990-11

Assemblies include all parts shown in frames.

Sears Craftsman 6.0 H.P. Engine Model No. 123K02

REF. NO.	PART NO.	DESCRIPTION	REF. NO.	PART NO.	DESCRIPTION	REF. NO.	PART NO.	DESCRIPTION
117	494870	Jet–Main (Standard) ———— Note ——— 497466 Jet–Main (Standard) Used on Type No(s). 1538. 498977 Jet–Main (Standard) Used on Type No(s). 0664, 0665, 0666, 0667, 0671, 0672, 1149, 1167, 1170, 1368, 1369, 1370, 1373, 1548.	125	498170	Carburetor (Primer System) (Used After Code Date 95102900). ———— Note ——— 498254 Carburetor (Primer System) Used on Type No(s). 1538.	133	398187	Float–Carburetor
117A	498978	Jet–Main (Standard)	125A	499059	Carburetor (Choke System) Used on Type No(s). 1714, 1715, 1777, 1926, 1932, 1942, 1955, 2329, 2331, 2349, 2367, 2383, 2391, 2635, 2673, 2681, 3178, 3183. ———— Note ——— 498965 Carburetor (Choke System) Used on Type No(s). 0664, 0665, 0666, 0667, 0671, 0672, 1149, 1167, 1170, 1368, 1369, 1370, 1373, 1548.	134	●398188	Kit–Needle/Seat
118	497315	Jet–Main (High Altitude) 496495 Jet–Main (High Altitude) Used on Type No(s). 1538. 498978 Jet–Main (High Altitude) Used on Type No(s). 0664, 0665, 0666, 0667, 0671, 0672, 1149, 1167, 1170, 1368, 1369, 1370, 1373, 1548.	127	●694468	Plug–Welch	137	●◆693981	Gasket–Float Bowl
118A	498975	Jet–Main (High Altitude)	130	691203	Valve–Throttle ———— Note ——— 696564 Valve–Throttle (Primer System) (Used After Code Date 01040800).	146	690979	Key–Timing
121	498260	Kit–Carburetor Overhaul				159	691753	Bracket–Air Cleaner Primer
						163★◆◆272653	691050	Gasket–Air Cleaner
						187	691050	Line–Fuel (15" Long) (Cut to Required Length)
						187A	691371	Line–Fuel (Molded)
						187B	692042	Line–Fuel (Included Filter) (1 1/3" And 4 5/8" Long) (Cut to Required Length)
						187C	696292	Line–Fuel (Molded) Used on Type No(s). 1717, 1718, 1719, 1754, 2326, 3181.
						188	690877	Screw (Control Bracket)
						190	690940	Screw (Fuel Tank)
						202	691829	Link–Mechanical Governor

★ Included in Engine Gasket Set–Ref. No.358.

● Included in Carburetor Overhaul Kit–Ref. No. 121.

◆ Included in Carburetor Gasket Set–Ref. No. 977.

⊗ Included in Valve Gasket Set–Ref. No 1095.

Illustrations cover a range of engines. Parts shown without corresponding text may not be used on your specific engine.

0990–12

Assemblies include all parts shown in frames.

Sears Craftsman 6.0 H.P. Engine Model No. 123K02

REF. NO.	PART NO.	DESCRIPTION	REF. NO.	PART NO.	DESCRIPTION	REF. NO.	PART NO.	DESCRIPTION
209	691864	Spring–Governor (Light Blue) Used on Type No(s). 2329, 2349. ———— Note ——— 690242 Spring– Governor (Orange) Used on Type No(s). 1932. 690241 Spring– Governor Used on Type No(s). 3183.	209B	691851	Spring–Governor (Yellow) ———— Note ——— 691290 Spring– Governor (Meadow Green, 436 Load) Used on Type No(s). 1714, 2367, 2673, 2635, 2681. 691291 Spring– Governor (Red) Used on Type No(s). 1715, 1777, 1942, 1955, 1986, 2320, 2324, 2331, 2349, 2391, 3178. 690319 Spring– Governor (White) Used on Type No(s). 0652, 0656, 0661, 0662, 0822, 0824, 0828, 0837, 0838, 0839, 0877, 1148, 1315, 1316, 1322, 1324, 1325, 1332, 1534, 1540, 1544, 1547, 1569, 1570, 1571, 1721, 1752, 1754, 1756, 1761, 1762, 1764, 1770, 1771, 1784, 1922, 1928, 1934, 1937, 1938, 1947, 1949, 1977, 1978, 1982, 1983, 1987, 1989, 1990, 2312, 2314, 2316, 2319, 2323, 2326, 2328, 2330, 2348, 2351, 2371, 2372, 2378, 2381, 2384, 2385, 2386, 2387, 2388, 2389,			2390, 2394, 2395, 2396, 2632, 2634, 2641, 2642, 2643, 2644, 2645, 2646, 2647, 2348, 2670, 2671, 2672, 2675, 2676, 2680, 2682, 2684, 2685, 3115, 3116, 3122, 3124, 3127, 3128, 3129, 3132, 3172, 3173, 3174, 3180, 3306, 3307, 3308, 3312, 3509, 6699. 691292 Spring– Governor (Black) Used on Type No(s). 0658, 0840, 0866, 0868, 0873, 1150, 1166, 1171, 1365, 1366, 1367, 1371, 1372, 1520, 1559, 1717, 1718, 1719, 1758, 1760, 1763, 1764, 1765, 1766, 1767, 1768, 1775, 1778, 1925, 1926, 1936, 1940, 1943, 1966, 1974, 1976, 1985, 1991, 1992, 2352, 3125, 3130, 3165, 3179, 3181, 3314, 3315. 691852 Spring– Governor (Purple) Used on Type No(s). 0670, 1720, 2379, 2380, 3169. 693187 Spring– Governor (Silver) Used on Type No(s). 2383, 2683.
209A	690567	Spring–Governor (Platinum) Used on Type No(s). 1167. ———— Note ——— 690568 Spring– Governor (Navajo White) Used on Type No(s). 1149, 1548. 691835 Spring– Governor (Meadow Green, 365 Load) Used on Type No(s). 0664, 0665, 0666, 0667, 1170, 1368, 1369, 1370, 1373. 262663 Spring– Governor (Purple) Used on Type No(s). 0671, 0672.						

★ Included in Engine Gasket Set–Ref. No.358.
● Included in Carburetor Overhaul Kit–Ref. No. 121.

◆ Included in Carburetor Gasket Set–Ref. No. 977.
⊗ Included in Valve Gasket Set–Ref. No 1095.

Illustrations cover a range of engines. Parts shown without corresponding text may not be used on your specific engine.
0990–13 Assemblies include all parts shown in frames.



Sears Craftsman 6.0 H.P. Engine Model No. 123K02

REF. NO.	PART NO.	DESCRIPTION	REF. NO.	PART NO.	DESCRIPTION	REF. NO.	PART NO.	DESCRIPTION
217	690354	Spring—Choke Return	276 ♦♦271716	Washer—Sealing (Main Jet)	305	691108	Screw (Blower Housing)	
222	692031	Bracket—Control (Remote/Manual Friction)(Primer)	287	690940	Screw (Dipstick Tube)	306	690450	Shield—Cylinder
222A	692021	Bracket—Control (Remote, Choke A Matic, Non Compliance)	300	692038	Muffler (Super Lo Tone)	307	690345	Screw (Cylinder Shield)
		Note 690839 Bracket—Control (Manual Friction) (Choke A Matic) Used on Type No(s). 1149, 1167, 1548.	300A	494343	Muffler (Square Lo Tone)	309	695550	Motor—Starter (Used After Code Date 00040600).
			300B	497681	Muffler (Catalyst)			Note 691376 Motor—Starter (Used Before Code Date 00040700).
			304	493293	Housing—Blower			
					Note 493294 Housing—Blower Used on Type No(s). 0666, 0667, 0868, 1149, 1150, 1167, 1171, 1369, 1548, 1559, 1569, 1714, 1715, 1766, 1777, 1919, 1926, 1932, 1941, 1942, 1955, 1988, 2320, 2324, 2329, 2331, 2349, 2350, 2367, 2383, 2391, 2635, 2669, 2673, 2681, 3110, 3120, 3123, 3133, 3167, 3176, 3178, 3179, 3183.	310	692327	Bolt (Starter Motor)
222B	693006	Bracket—Control (Fixed Speed Auto Primer Control)			695892 Housing—Blower Used on Type No(s). 1721, 1784, 1989, 2320, 2360, 2370, 2384, 2385, 2386, 2389, 2390, 2394, 2395, 2641, 2643, 2646, 2684, 2685, 3129, 3180, 3182, 3308, 3509.	332	690662	Nut (Flywheel)
222C	692150	Bracket—Control (Variable Speed) (5 Position Manual Choke)			696298 Housing—Blower Used on Type No(s). 1717, 1718, 1719, 1754, 2326, 3181.	333	802574	Armature—Magneto
222D	692467	Bracket—Control (Fixed Speed)				334	691061	Screw (Magneto Armature)
222E	692982	Bracket—Control (Manual Friction, 5 Position Manual Choke)				337	802592	Plug—Spark
227	690783	Lever—Governor Control				346	690661	Screw (Spark Arrestor)
236	691826	Link—Lockout				347	691396	Switch—Rocker
240	298090	Filter—Fuel				356	692390	Wire—Stop
259	691223	Bracket—Casing Clamp (Control Wire Casing)				356A	690650	Wire—Stop
265	690798	Clamp—Casing				356B	693010	Wire—Stop
267	691044	Screw (Casing Clamp)				356D	496381	Wire—Stop
268	691072	Casing—Control Wire (48" Long) (Cut to Required Length)				356F	494250	Wire—Stop
269	691589	Wire—Control (54" Long) (Cut to Required Length)				358	497316	Gasket Set—Engine
270	691027	Nut (Control Wire Casing)				359	691077	Washer (Ground Terminal)
271	691028	Lever—Control				363	19069	Flywheel Puller
						365	692524	Screw (Carburetor)
						373	691612	Nut (Ground Terminal)
						374	691074	Washer (Camshaft)
						383	89838	Wrench—Spark Plug
						404	690272	Washer (Governor Crank)
						425A	690670	Screw (Air Cleaner Cover)
						443A	692523	Screw (Air Cleaner Primer Base)

★ Included in Engine Gasket Set—Ref. No.358.

● Included in Carburetor Overhaul Kit—Ref. No. 121.

♦ Included in Carburetor Gasket Set—Ref. No. 977.

⊗ Included in Valve Gasket Set—Ref. No 1095.

Illustrations cover a range of engines. Parts shown without corresponding text may not be used on your specific engine.

0990-14

Assemblies include all parts shown in frames.

Sears Craftsman 6.0 H.P. Engine Model No. 123K02

REF. NO.	PART NO.	DESCRIPTION	REF. NO.	PART NO.	DESCRIPTION	REF. NO.	PART NO.	DESCRIPTION
445A	491588	Filter—Air Cleaner Cartridge	601	95162	Clamp—Hose	689	691855	Spring—Friction
455	695161	Cup—Flywheel	604	691757	Cover—Control	692	690572	Spring—Detent
456	692299	Plate—Pawl Friction	604A	691344	Cover—Control	697	691127	Screw (Drive Cap)
459	281505	Plate—Ratchet	608	497680	Starter—Rewind	715	691693	Screw (Shaft Stop)
474	691991	Alternator	613	691340	Screw (Muffler)	718	690959	Pin—Locating
497	690664	Screw (Stop Switch Bracket)	613A	691653	Screw (Muffler)	721	690449	Stop—Shaft
500	691086	Washer (Key Switch)	613B	691114	Screw (Muffler)	741	691830	Gear—Timing
505	691251	Nut (Governor Control Lever)	615	690340	Retainer—Governor Shaft	742	93941	Retainer—E Ring
507	691972	Insulator	616	691308	Crank—Governor	743	691772	Gear—Drive (Counterclockwise)
510	494147	Drive—Starter	617★◆	270344	Seal—O Ring (Intake Manifold)	Note		
513	692358	Clutch—Drive	621	692310	Switch—Stop	690516	Gear—Drive (Clockwise)	
520	691084	Terminal—Ground	627	692872	Bracket—Stop Switch	Used on Type No(s). 0823.		
523	495264	Dipstick	633 ◆◆	691321	Seal—Choke/Throttle Shaft (Throttle)	745	691648	Screw (Brake)
		Note	633A ◆◆	693867	Seal—Choke/Throttle Shaft (Choke)	783	691918	Gear—Pinion (19 Teeth) (Starter Drive)
524	★692296	Seal—Dipstick Tube			635	66538	Boot—Spark Plug	
525	495265	Tube—Dipstick			651	93490	Screw (Starter Gear Cover)	
529	691923	Grommet			664	691087	Nut (Key Switch)	
544	690786	Armature—Starter			668	★493823	Spacer (Includes 2)	
545	492919	Washer Set (Starter Motor)			670	692294	Spacer—Fuel Tank	
562	92613	Bolt (Governor Control Lever)			676	396548	Deflector—Muffler (Louvered)	
564	690664	Screw (Control Cover)			676A	393756	Deflector—Muffler (Side Out)	
		Note			676B	397931	Deflector—Muffler (Direct Out)	
564A	691142	Screw (Control Cover)			676C	493871	Deflector—Muffler (Side Out) (Extended)	
584	692342	Cover—Breather Passage			677	690661	Screw (Muffler Deflector)	
585	★691879	Gasket—Breather Passage			684	690345	Screw (Breather Passage Cover)	
592	690800	Nut (Rewind Starter)						
597	691696	Screw (Pawl Friction Plate)			789A	695552	Harness—Wiring (Used After Code Date 00040600).	
							Note	
					783A	691269	Gear—Pinion (12 Teeth)	
					784	692341	Cover—Starter Gear	
					785	692352	Gasket—Starter Cover	
					789	695551	Harness—Wiring (Used on Type No(s). 3179.	
					789B	696547	Harness—Wiring (Used on Type No(s). 0665, 0672, 1373, 1936, 1990, 1991, 2388, 2396, 2648, 3127, 3130, 3312, 3315.	

★ Included in Engine Gasket Set—Ref. No. 358.

● Included in Carburetor Overhaul Kit—Ref. No. 121.

◆ Included in Carburetor Gasket Set—Ref. No. 977.

⊗ Included in Valve Gasket Set—Ref. No. 1095.

Illustrations cover a range of engines. Parts shown without corresponding text may not be used on your specific engine.

0990-15

Assemblies include all parts shown in frames.

Sears Craftsman 6.0 H.P. Engine Model No. 123K02

REF. NO.	PART NO.	DESCRIPTION	REF. NO.	PART NO.	DESCRIPTION	REF. NO.	PART NO.	DESCRIPTION
801	690782	Cap-Drive	870	690380	Seat-Valve (Exhaust)	923	691994	Brake
802	695267	Cap-End (Used After Code Date 00040600).	871	262001	Bushing-Valve Guide (Exhaust)	923A	695891	Brake
		Note _____			Note _____	925	690595	Cover-Linkage
		695975 Cap-End (Used Before Code Date 00040700).			63709 Bushing-Valve Guide (Intake)	930	691919	Guard-Rewind (Round)
803	695266	Housing-Starter (Used After Code Date 00040600).	883	*Ø691881	Gasket-Exhaust	930A	691345	Guard-Rewind (Teardrop)
		Note _____	892	690646	Switch-Key	935	499421	Switch-Interlock (Used After Code Date 92100600).
		695975 Housing-Starter (Used Before Code Date 00040700).	910	691094	Stud (Alternator)			Note _____
832	499034	Guard-Muffler	921	497233	Cover-Blower Housing (Static Guard) (5.5)			398758 Switch-Interlock (Used Before Code Date 92100700).
832A	691424	Guard-Muffler			Note _____	937	691325	Spline-Starter
832B	497683	Guard-Muffler			692933 Cover-Blower Housing Used on Type No(s). 1520, 1530, 1531, 1567, 2611, 2612, 2630, 2631, 2667, 2678.	940	690664	Screw (Casing Clamp Bracket)
836	690664	Screw (Muffler Guard)	921A	695886	Cover-Blower Housing (Black)	957	397974	Cap-Fuel Tank (Plastic) (Black)
836A	690661	Screw (Muffler Guard)	921B	692931	Cover-Blower Housing (Static Guard) (XTE) Used on Type No(s). 2320, 2331, 2626, 2391, 2396.			Note _____
836B	691147	Screw (Muffler Guard)	921C	695889	Cover-Blower Housing (Static Guard) (Satin Black) Used on Type No(s). 2324, 2384, 2385, 2386, 2387, 2388, 2389, 2390, 2394, 2395.			692662 Cap-Fuel Tank (Plastic) (Red) Used on Type No(s). 2384, 3312.
842	*691031	Seal-O Ring (Dipstick Tube)				957A	692046	Cap-Fuel Tank (Plastic)
843	691884	Sleeve-Lever (Speed Control)				966A	496116	Base-Air Cleaner Primer
843A	691895	Sleeve-Lever (Choke)	921E	696262	Cover-Blower Housing	967A	493537	Filter-Pre Cleaner
847	692017	Dipstick/Tube Assembly	921F	697343	Cover-Blower Housing	968B	692298	Cover-Air Cleaner
		Note _____	922	691831	Spring-Brake	969	690700	Screw (Blower Housing Cover)
		692047 Dipstick/Tube Assembly Used on Type No(s). 1720.	922A	692135	Spring-Brake	969A	691138	Screw (Blower Housing Cover)
851	493880	Terminal-Spark Plug						
853	695268	Adapter-Wire						
869	691155	Seat-Valve (Intake)						

* Included in Engine Gasket Set-Ref. No.358.

● Included in Carburetor Overhaul Kit-Ref. No. 121.

◆ Included in Carburetor Gasket Set-Ref. No. 977.

⊗ Included in Valve Gasket Set-Ref. No 1095.

Illustrations cover a range of engines. Parts shown without corresponding text may not be used on your specific engine.

0990-16

Assemblies include all parts shown in frames.

CONTENIDO

Contenido	Página	Contenido	Página
Garantía	39	Servicio y ajustes	51
Seguridad	40	Almacenamiento	53
Montaje	42	Localización de averías	54
Operación	45	Lista de repuestos	19
Mantenimiento	49		

GARANTIA

Garantía de un año sobre la aspiradora para jardines Craftsman

Por un período de un año a partir de la fecha de compra, Sears reparará gratis cualquier defecto en el material o fabricación de esta aspiradora para jardines Craftsman, siempre y cuando haya sido mantenida, lubricada y afinada de acuerdo a las instrucciones de manejo y mantenimiento dadas en el manual del operador.

Esta garantía excluye las cuchillas, cuchillas astilladoras, flagelos, filtros de aire, bujías, recolectores y neumáticos, consideradas piezas consumibles que se gastan durante el uso normal.

LA GARANTIA DE SERVICIO ESTA DISPONIBLE PONIENDOSE EN CONTACTO CON EL CENTRO DE SERVICIO SEARS MAS CERCANO EN EE.UU. ESTA GARANTIA TIENE VALIDEZ SOLAMENTE MIENTRAS EL PRODUCTO SE ENCUENTRA EN USO EN LOS ESTADOS UNIDOS.

Esta garantía le da derechos legales específicos, y usted puede tener otros derechos los cuales varían de un estado a otro.

Sears, Roebuck and Co., D/817WA, Hoffman Estates, IL 60179

ASPIRADORA PARA JARDINES

ATENCIÓN: Antes de usar este producto, lea este manual y respete todas las reglas de seguridad e instrucciones de manejo.

ESPECIFICACIONES DEL PRODUCTO

Potencia:	6.0 caballos de fuerza	Número de modelo 247.770550
Tipo de aceite de motor	SAE 30	Número de serie.....
Capacidad de aceite de motor	20 onzas	Fecha de compra.....
Capacidad de combustible:	1 1/2 cuartos de galón	Anote el número de serie y la fecha de compra y guárdelos en un lugar seguro para usar de referencia en el futuro.
Bujía	Champion RJ-19LM	
Distancia entre electrodos de bujía	0.030"	

SEGURIDAD



ADVERTENCIA: Este símbolo indica instrucciones de seguridad muy importantes las que, si no se siguen, podrían poner en peligro la seguridad personal y/o causar daños físicos. Antes de intentar manejar esta aspiradora para jardines, se debe leer y seguir todas las instrucciones que aparecen en este manual. Si no se cumplen estas instrucciones se corre el riesgo de sufrir lesiones. Cuando en el manual aparece este símbolo, respetar su advertencia.

ADVERTENCIA: El gas de escape emitido por el motor de esta máquina contiene componentes químicos que en el Estado de California son considerados como causantes de cáncer, defectos de nacimiento u otros daños a los órganos de la reproducción.

ADVERTENCIA: La aspiradora para jardines fue fabricada para ser manejada de acuerdo a las reglas de seguridad descritas en este manual. Como sucede con cualquier tipo de equipo motorizado, el descuido o error de parte del operador puede tener como resultado graves lesiones. Esta máquina es capaz de amputar dedos y manos y lanzar objetos con fuerza. Si no se siguen las instrucciones de seguridad siguientes se está expuesto a sufrir graves lesiones o la muerte.

OPERACION EN GENERAL

- Leer todo este manual del operador cuidadosamente antes de intentar armar la máquina. Leer, comprender y seguir todas las instrucciones que se encuentran en la máquina y en el manual (manuales) antes de manejarla. Aprender completamente el manejo de los controles y el uso correcto de la máquina antes de manejarla. Guardar este manual en un lugar seguro para usarlo como un libro de consulta en el futuro y cuando sea necesario pedir piezas de repuesto.
- La aspiradora para jardines es una herramienta muy potente, no es un juguete. Por lo tanto, actuar con sumo cuidado en todo momento. La máquina fue diseñada para astillar, triturar, aspirar y soplar (cuando está equipada con el accesorio) la vegetación encontrada en un jardín o patio normal. No se debe usar para ningún otro propósito.
- No dejar nunca que niños menores de 16 años de edad manejen esta máquina. Los niños mayores de 16 años siempre deben manejarla bajo la supervisión de un adulto. Solamente debe permitírseles manejar esta máquina a las personas responsables que conozcan bien estas reglas de seguridad de manejo.
- Mantener el lugar de trabajo despejado de personas, especialmente niños pequeños. Apagar el motor cuando se encuentren cerca de la máquina.
- Cuando se esté introduciendo material a este equipo, tener mucho cuidado de no incluir pedazos de metal, rocas, botellas, latas u otros objetos extraños. Se podría causar lesiones personales o dañar la máquina.
- Siempre usar anteojos o gafas de seguridad, durante el manejo y mientras se hacen ajustes o reparaciones, para protegerse los ojos contra objetos extraños que puedan ser lanzados por la máquina.
- Usar zapatos de trabajo gruesos y con suela áspera, y pantalones y camisa bien ceñidos. Se recomienda usar camisas y pantalones que cubran los brazos y las piernas, y zapatos con puntas de acero. No usar ropa suelta o joyas, y atarse el cabello más arriba de los hombros. Pueden quedar atrapados en las piezas en movimiento. Nunca manejar la máquina descalzo, con sandalias o zapatillas. Ponerse guantes para introducir el material en el tubo de triturado.
- No manejar la máquina si se ha ingerido alcohol o drogas.
- No tratar de alcanzar más lejos de lo normal. Mantener bien apoyado los pies y buen equilibrio en todo momento.
- No poner nunca las manos ni ninguna parte del cuerpo o indumentaria cerca de las piezas que están girando. Siempre mantenerse alejado de las bocas de descarga. Nunca meter las manos ni ninguna parte del cuerpo o indumentaria en la boquilla, tubo de triturar o boca de descarga, pues el rotor giratorio puede causar graves lesiones.
- Si por cualquier razón es necesario desatascar la toma de alimentación o la boca de descarga o inspeccionar o reparar alguna pieza de la máquina en una parte donde una pieza en movimiento podría quedar en contacto con el cuerpo o indumentaria, apagar el motor, esperar hasta que se enfríe, desconectar el cable de la bujía y apartarlo de la bujía antes de intentar desatascar, inspeccionar o reparar.
- Nunca manejar la máquina sin que tenga instalado el recolector de la aspiradora o, si está equipada con tubo soplador, bien conectado a la máquina. El extremo abierto grande del recolector (bolsa) debe estar cerrado para impedir que salgan objetos sopladados por la parte trasera del recolector.
- Cuando se trabaje con la función de soplador (esta máquina puede tener incluido el accesorio de tubo de soplado opcional):
 - No situarse ni caminar delante de la boca de descarga del soplador ni apuntársela a las personas, animales, vehículos, etc. que se encuentren cerca. Los objetos que salen lanzados por la boca de descarga puede causar lesiones personales o daños a la propiedad.
 - No dirigir la descarga del soplador contra una pared u otra obstrucción vertical. El material descargado puede rebotar hacia el operador.
 - Ajustar la altura de la boquilla de aspiración a la posición más alta para reducir la posibilidad de que aspiren objetos más pesados (por ej.,

pedras, pedazos de vidrio o de metal) y sean lanzados por la boca de descarga. Al elevar la boquilla a la posición más alta también incrementa la admisión de aire para lograr mejor funcionamiento del soplador.

- No intentar nunca retirar o vaciar el recolector mientras el motor está funcionando. Apagar el motor y esperar hasta que el rotor esté detenido antes de retirar el recolector (bolsa). El rotor continúa girando por algunos segundos después de apagar el motor. Nunca acercarse ninguna parte del cuerpo al área del rotor sin antes asegurarse de que ha parado de girar.
- Mantener todos los protectores y dispositivos de seguridad en su lugar y en buen estado de funcionamiento.
- No dejar que se acumule material tratado en el área de descarga, pues impedirá la descarga adecuada.
- Cuando se introduzca material en la astilladora, no situarse con la cara o el cuerpo directamente delante del tubo de la astilladora. Situarse a un lado. El material que se está introduciendo puede rebotar fuera del tubo.
- Si el mecanismo de corte choque con un objeto extraño o si la máquina empieza a hacer un ruido o vibración inusual, apagar inmediatamente el motor, desconectar el cable de la bujía y apartarlo de la bujía. Dejar que la máquina se pare y proceder de la manera siguiente:
 - Buscar si hay daño
 - Reparar o cambiar las piezas dañadas.
 - Buscar piezas flojas y apretarlas para asegurar un buen funcionamiento.
- El silenciador y el motor se calientan y puede causar quemaduras. No tocarlos.
- No dejar que las hojas u otros desechos se acumulen en el silenciador del motor. Los desechos pueden encenderse y causar un incendio.
- No hacer funcionar el motor si el filtro de aire o la tapa encima de la toma de aire del carburador no está colocada. El retiro de dichas piezas puede crear un peligro de incendio.

NIÑOS

Pueden ocurrir accidentes de trágicas consecuencias si el operador no está alerta a la presencia de niños pequeños. Los niños son frecuentemente atraídos a los lugares donde se está astillando y aspirando hojas, ramas, etc. Nunca suponer que los niños van a permanecer en el lugar donde se les vio la última vez.

- No dejar que los niños se acerquen al lugar de trabajo y mantenerlos vigilados por un adulto aparte del operador.
- Estar alerta y apagar el motor si un niño se aproxima al lugar.
- Nunca permitir que niños menores de 16 años de edad manejen la aspiradora para jardines.

SERVICIO

- Tener sumo cuidado cuando se maneje gasolina y otros combustibles. Son muy inflamables y sus vapores son explosivos.
 - Guardar el combustible y el aceite en contenedores aprobados, lejos del calor y llamas expuestas, y lejos del alcance de los niños.
 - Revisar el nivel y cargar combustible antes de arrancar el motor. Nunca quitar la tapa del tanque de combustible ni añadir combustible mientras el motor está funcionando. Siempre dejar que el motor se enfríe por lo menos durante dos minutos antes de cargar combustible.
 - Antes de arrancar el motor, colocar la tapa del tanque de gasolina bien apretada y limpiar con un trapo la gasolina que pueda haberse derramado ya que podría causar un incendio o explosión.
 - Apagar los cigarrillos, cigarros, pipas y otras fuentes de ignición.
 - Nunca cargar combustible en el interior de edificios porque pueden acumularse vapores inflamables en el área.
 - Nunca guardar la máquina o el contenedor de combustible en interiores donde haya una llama expuesta o chispas, como por ejemplo, un calentador de agua caliente, secadora de ropa o un calefactor de gas.
- No hacer funcionar nunca la máquina en un lugar cerrado pues el gas de escape del motor contiene monóxido de carbono, el cual es un gas inodoro, insípido y mortalmente venenoso.
- Para reducir el peligro de incendio, mantener el motor y el silenciador libres de hojas, pasto y otra acumulación de desechos. Limpiar el combustible y aceite derramado. Dejar que la máquina se enfríe durante por lo menos 5 minutos antes de guardarla.
- Antes de limpiar, reparar o inspeccionar, cerciorarse de que el rotor y todas las piezas móviles se hayan detenido. Desconectar el cable de la bujía y apartarlo de la bujía para impedir el arranque accidental del motor. No usar soluciones inflamables para limpiar el filtro de aire.
- Mantener todas las tuercas, pernos y tornillos apretados para asegurar que el equipo esté en buenas condiciones de funcionamiento.
- Nunca estorbar los dispositivos de seguridad. Probar su funcionamiento periódicamente.
- Después de chocar con un objeto extraño, apagar inmediatamente el motor, desconectar el cable de la bujía y hacer una inspección minuciosa de la máquina en busca de algún daño. Reparar el daño antes de arrancar el motor y manejar la máquina.
- No alterar ni estorbar el ajuste del gobernador del motor. El gobernador controla la velocidad máxima segura del motor. El hacer funcionar el motor a sobrevelocidad es peligroso y se dañará el motor y las otras piezas móviles de la máquina.
- Revisar el recolector (bolsa) de la aspiradora frecuentemente. Cambiarlo si está desgastado o dañado.
- Mantener el recolector sin desechos cuando no esté en uso.

MONTAJE

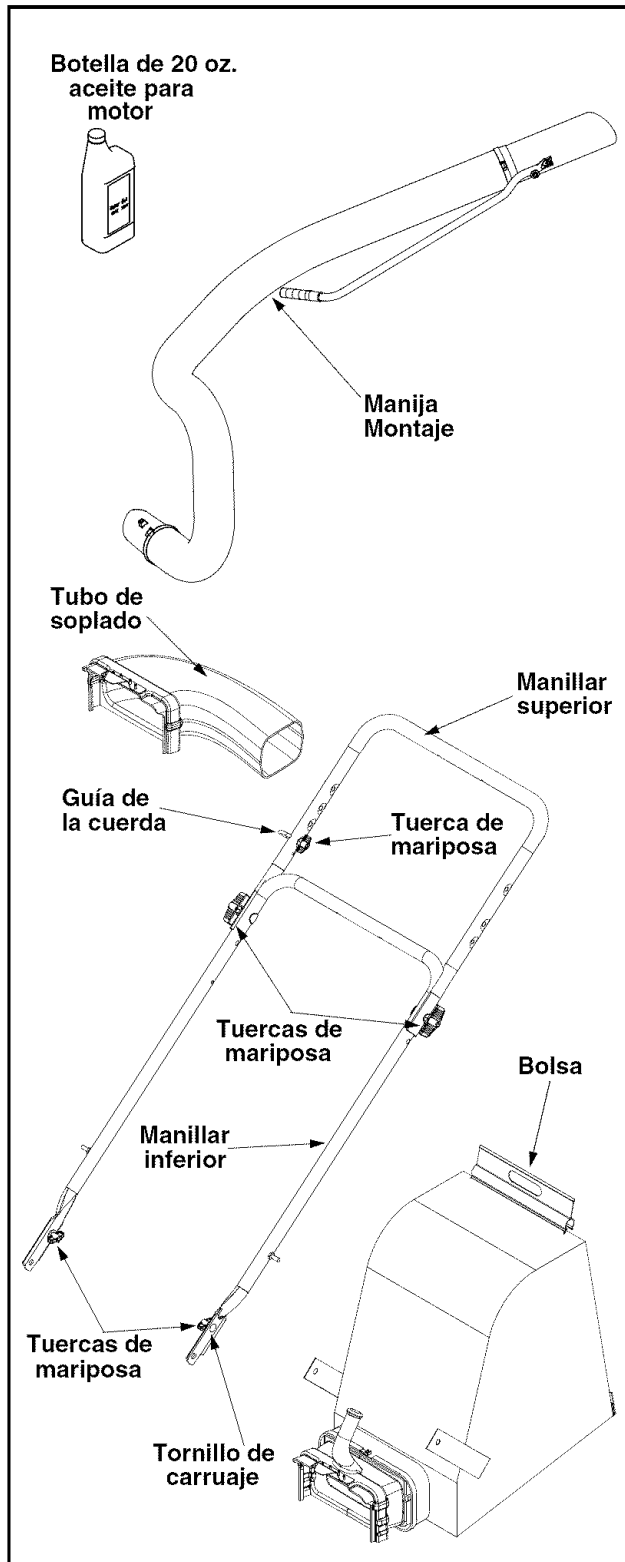


Figura 1

IMPORTANT: Esta máquina salió de fábrica sin gasolina y sin aceite en el motor. Después de armarla, ver la sección OPERACION en este manual para informarse sobre el llenado de aceite del motor y el tipo de combustible.

NOTE: Para determinar los lados derecho e izquierdo de la aspiradora para jardines, situarse detrás de la máquina, en posición de manejarla. Ver la figura 1.

La aspiradora para jardines fue armada en la fábrica, con la excepción del manillar, recolector y tubo de soplado. Estos componentes se envían sueltos en la caja de cartón. En la caja también se incluyen anteojos de seguridad y una botella de 20 onzas de aceite para motor. Ver la figura 1.

DESEMBALAJE

- Cortar las esquinas de la caja.
- Quite todas las piezas flojas.
- Quite el material de embalaje.
- Levante la unidad de la parte posterior para desechar el material de embalaje de la unidad inferior y de la unidad del rodillo de cartón.
- Controle el cartón a conciencia para saber si hay cualquier otra pieza floja.

PIEZAS SUELTAS

Ver la figura 1

- Montaje del manillar
- Recolector (bolsa)
- Montaje del tubo de soplado
- Anteojos de seguridad (no se muestran)
- Botella de 20 onzas de aceite para motor
- Manual del operador

DESCONEXION DE LA BUJIA

Antes de comenzar a armar la nueva aspiradora para jardines, desconectar el cable de la bujía y conectarlo a tierra en el pilar retenedor en el motor. Esto impedirá el arranque accidental del motor. Ver la figura 2.

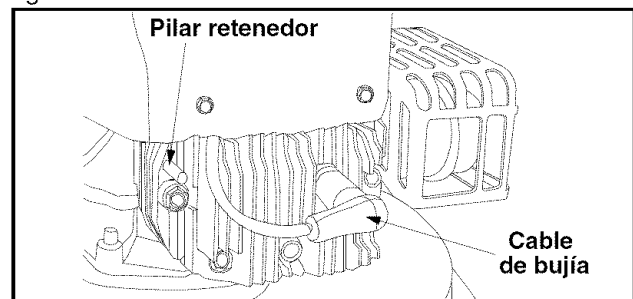


Figura 2

INSTALACION DEL MANILLAR

- Plegar el manillar superior hasta que quede alineado con el manillar inferior. Ver la figura 1.
- Fijarlo bien apretando las tuercas de mariposa superiores, las cuales conectan juntos los dos manillares.

- Retirar las chavetas de las escuadras del manillar y los tornillos de carruaje (cabeza de hongo y cuello cuadrado) y tuercas de mariposa del manillar inferior. Ver la figura 3.
- Colocar el manillar inferior sobre los pasadores en las escuadras y fijarlos con las chavetas, tornillos de carruaje y tuercas de mariposa.

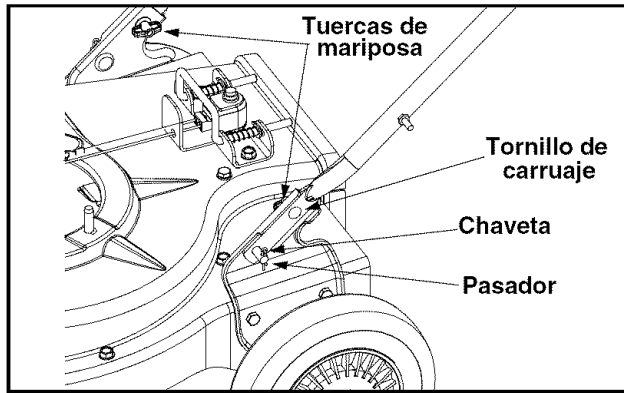


Figura 3

- En el lado derecho del manillar superior se encuentra una guía para la cuerda. Aflojar la tuerca de mariposa que sujeta la guía.
- Tirar la cuerda de arranque fuera del motor lentamente y deslizarla a través de la guía. Apretar la tuerca de mariposa. Tolda de Soplador

Instalación del montaje de la manguera

- Deslice el adaptador para manguera del montaje de la misma hacia el interior del adaptador base ubicado a la izquierda y al frente de la aspiradora para patios. Ver Figure 4.
- Tire del perno con resorte del lado exterior de la base y ponga el perno en línea con el primer agujero del adaptador para manguera.
- Suelte el perno para ajustar la manguera en su lugar.
- Conecte la manija de la manguera ubicada cerca del extremo con pico de la misma al soporte lateral de la manija superior. Consulte Figure 4.

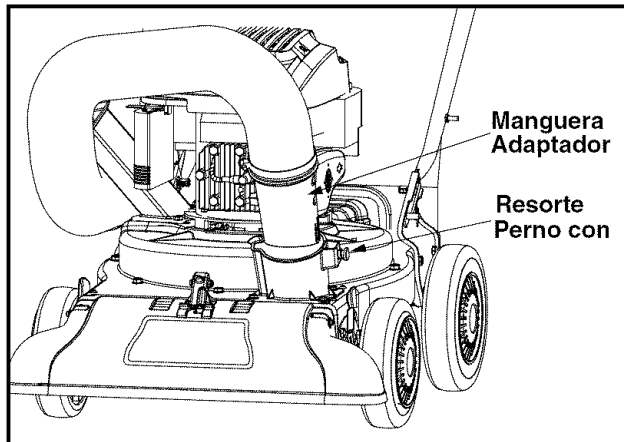


Figure 4

- Una a presión la manija de la manguera con el soporte de la manija inferior para ajustarla en su lugar y coloque el caño de la manguera en el gancho del soporte lateral que se encuentra próximo al canal de la cortadora. Consulte Figura 7.

INSTALACION DEL RECOLECTOR

- Asir el mango del recolector con una mano y, con la otra mano, tirar de la varilla de fijación en la escuadra de montaje hacia el motor. Use el final de soporte de montaje como el apalancamiento deslizando la barra que se cierra. Ver la Figura 5.
- Deslizar el recolector por encima del borde de la boca de descarga y soltar la varilla de fijación para sujetar el recolector en su lugar.
- Colocar las correas inferiores del recolector sobre el manillar inferior, enganchándolas en los espárragos.
- Encajar el clip del recolector en la parte superior del manillar inferior.

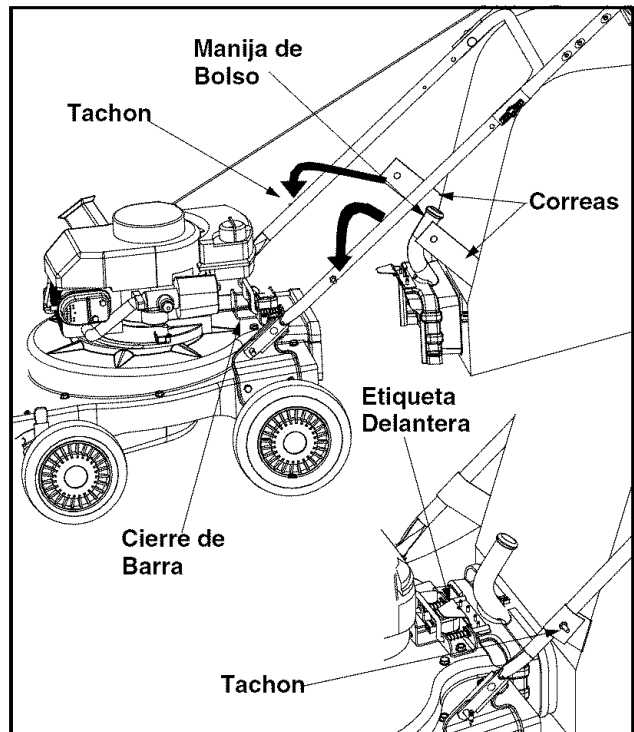


Figura 5

NOTE: Cuando se coloque el recolector en la máquina, el botón interruptor de seguridad adosado a la escuadra de montaje debe quedar totalmente oprimido por la lengüeta delantera ubicada en el mango del recolector, de lo contrario el motor no arrancará.

INSTALACION DEL TUBO DE SOPLADO

NOTE: Antes de instalar el tubo de soplado se debe retirar el recolector.

- Asir el tubo de soplado con una mano y, con la otra mano, tirar de la varilla de fijación en la escuadra de montaje hacia el motor. Use el final de soporte de montaje como el apalancamiento deslizando la barra que se cierra. Ver la Figura 6.
- Deslizar el tubo de soplado **por encima** del borde de la boca de descarga y soltar la varilla de fijación para sujetar el tubo en su lugar.
- Cuando se va a usar el tubo de soplado, elevar la boquilla a la posición más alta. Ver el ajuste de la boquilla en la sección AJUSTES.

NOTE: El botón interruptor de seguridad adosado a la escuadra de montaje debe quedar totalmente oprimido por la lengüeta delantera ubicada en tubo de soplado, de lo contrario el motor no arrancará.

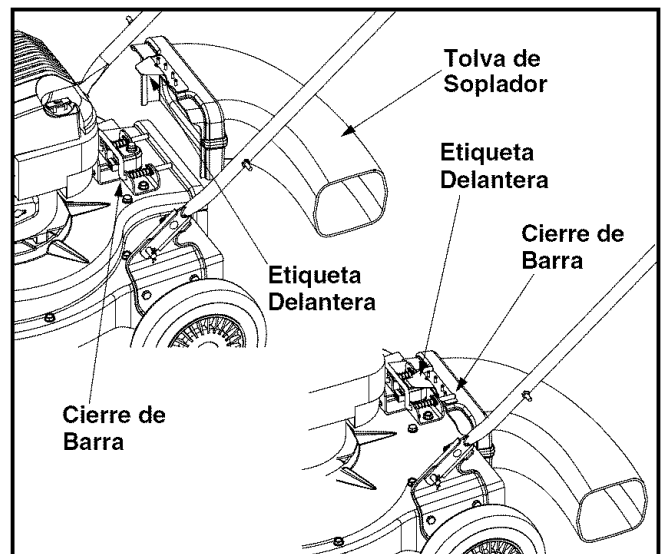


Figura 6

OPERACION

Conozca su aspiradora para jardines

Lea este manual del operador y las reglas de seguridad antes de manejar su aspiradora para jardines. Compare las ilustraciones presentadas más abajo con su equipo para que conozca bien la ubicación de los distintos controles y ajustes. Guarde este manual para consultarlo en el futuro.



El manejo de cualquier aspiradora para jardines sopladora puede causar el lanzamiento de objetos extraños contra los ojos y lesionarlos gravemente. **Use siempre los anteojos de seguridad**, suministrados con la aspiradora para jardines Craftsman, para manejar este equipo o mientras le hace trabajos de ajuste o reparación.

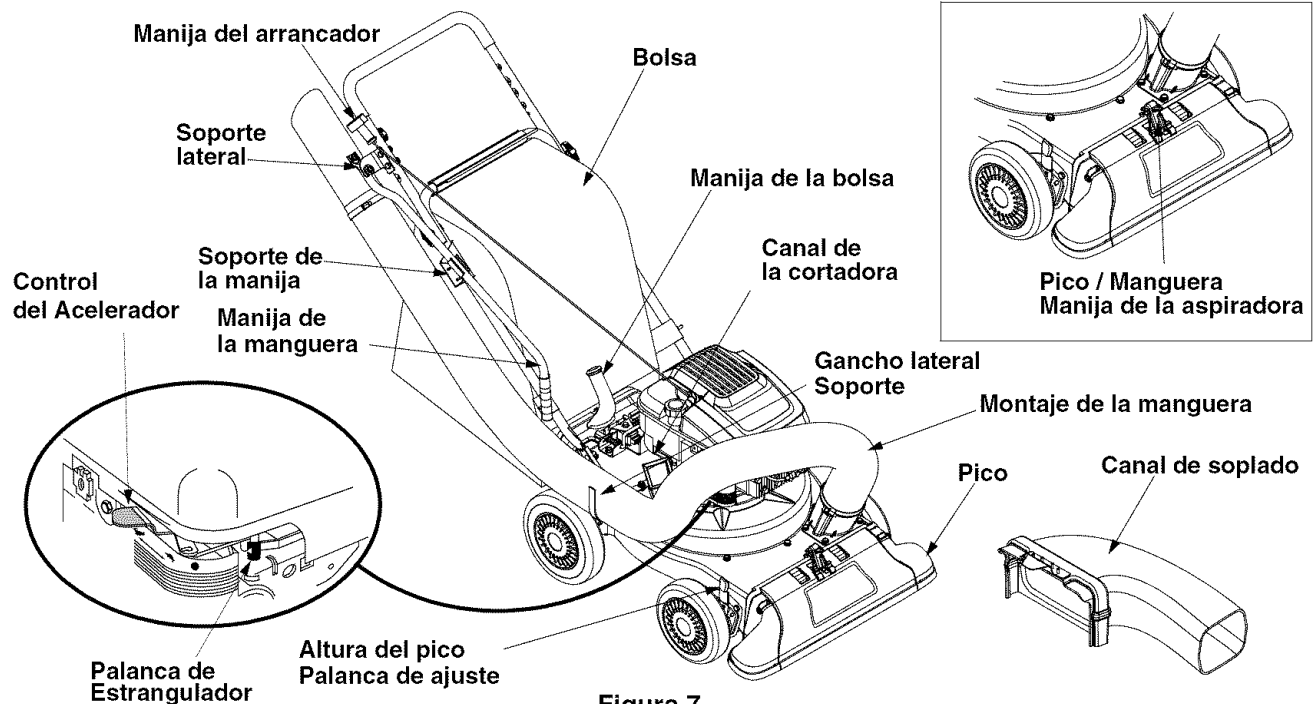


Figura 7

CONTROLES DE OPERACION

Tubo de astillado

Permite introducir ramillas y ramas pequeñas de hasta 1-1/2" de diámetro en el rotor para astillarlas.

Boquilla

Los desechos del jardín tal como hojas y agujas de pino pueden aspirarse a través de la boquilla para luego triturarlos.

Recolector

Junta todo el material triturado que fue introducido a través del tubo de astillado o que fue aspirado a través de la boquilla.

Tubo de soplado

Cuando está instalado en la máquina, este tubo se usa para soplar o esparcir los desechos del jardín tal como hojas, agujas de pino o ramillas pequeñas.

Mango del recolector

Se usa para agarrar el recolector y poderlo instalar, retirar y vaciar.

Palanca de ajuste de altura de la boquilla

Se usa para ajustar la altura entre la boquilla y el suelo, variando de 5/8" a 4 1/8".

Palanca de control del acelerador

Esta palanca única controla la velocidad del motor. Pasando por cuatro posiciones separadas en la palanca, de izquierda a derecha, el funcionamiento es el siguiente:



Rápido



Lento



Motor apagado

NOTE: De conformidad con las normas de seguridad de ANSI

NOTE: Las máquinas aspiradoras para jardines Craftsman cumplen con las normas de seguridad del Instituto de Normalización Nacional de EE.UU. (ANSI).

Montaje de la manguera

Se usa como alternativa del uso del pico para aspirar los desechos que se acumulan en los patios como por ejemplo las hojas o las agujas de los pinos que se encuentran en lugares de difícil acceso.

Manija de la manguera

Se utiliza para guiar el montaje de la manguera mientras se aspira.

Manija del pico / manguera de la aspiradora

La manija del pico / manguera de la aspiradora se encuentra en la parte superior del pico y se utiliza para regular la aspiración entre el pico y el montaje de la manguera.

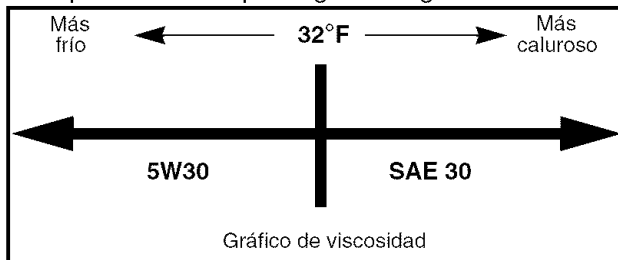
Mango de arranque

Se usa para arrancar el motor.

LLENADO DE GASOLINA Y ACEITE

Aceite (una botella de 20 onzas enviada con la máquina)

Usar únicamente aceite detergente de buena calidad clasificado con la clasificación de servicio SF, SG o SH de la API. Escoger el grado de viscosidad SAE del aceite de acuerdo con la temperatura de trabajo anticipada. Guiarse por el gráfico siguiente.



NOTE: Aunque los aceites de múltiple viscosidad (5W30, 10W30, etc.) mejoran el arranque del motor en climas fríos, causarán un mayor consumo de aceite cuando se usan a temperaturas sobre 32°F. (0°C). Revisar el nivel de aceite del motor frecuentemente para evitar el posible daño del motor en caso de funcionar con muy poco aceite.

- Retirar la varilla de medición de aceite.
- Con la aspiradora para jardines en suelo plano, usar un embudo para llenar el motor con aceite hasta la marca FULL (LLENO) en la varilla. La capacidad es de aproximadamente 20 onzas. Tener cuidado de no llenar demasiado. El exceso de aceite puede hacer humear el motor y reducir su buen funcionamiento. La botella de aceite incluida con la aspiradora para jardines contiene 20 onzas de aceite.
- Revisar el nivel de aceite asegurándose de no frotar la varilla a lo largo de las paredes interiores del tubo de llenado de aceite. Esto produciría una indicación errónea del nivel en la varilla.

Llenar hasta la marca FULL, si es necesario. Volver a colocar la varilla de medición y apretarla.

- Revisar el nivel de aceite tres veces antes de arrancar el motor para cerciorarse de que se obtiene una indicación correcta en la varilla. Si se hace funcionar el motor con muy poco aceite se puede dañar para siempre.

Gasolina

- Quitar la tapa del tanque de gasolina.
- Asegurarse de que el contenedor del cual se verterá gasolina esté limpio y sin óxido o partículas extrañas. Nunca usar gasolina vieja que haya estado mucho tiempo guardada en el contenedor. La gasolina que ha estado en el contenedor por más de cuatro semanas deberá considerarse vieja.
- Llenar el tanque únicamente con gasolina para automóviles regular sin plomo, superior sin plomo o reformulada. NO usar etilo o gasolina de alto octanaje. No usar gasolina que contenga METANOL. Volver a colocar la tapa.
- Para evitar problemas en el motor, vaciar el sistema de combustible antes de guardar la máquina por 30 días o más tiempo. Vaciar el tanque de gasolina, arrancar el motor y dejar que funcione hasta que la tubería de combustible y el carburador estén vacíos. En la próxima temporada, usar combustible fresco. Para más información, ver la sección ALMACENAMIENTO.
- Nunca usar productos limpiadores del motor o carburador en el tanque de combustible, se puede causar daño permanente.



ADVERTENCIA: Nunca llenar el tanque de gasolina en el interior de un edificio, con el motor funcionando o mientras el motor está caliente. No fumar mientras se llena el tanque de gasolina. Para evitar derrames y permitir la expansión del combustible, llenar solamente hasta 1/2 pulgada de la parte superior del tanque de gasolina.

- Revisar el nivel de combustible periódicamente para evitar que se acabe la gasolina mientras la aspiradora para jardines está funcionando. Si a la máquina se le agota el combustible mientras está astillando, será necesario desatascar la máquina antes de volver a arrancar el motor. Ver la sección SERVICIO Y AJUSTES.

PARA APAGAR EL MOTOR

- Mover la palanca de control del acelerador a la posición STOP (APAGAR).

- Desconectar el cable de la bujía y conectarlo a tierra en el pilar retenedor para impedir el arranque accidental mientras la máquina está sola.



ADVERTENCIA: Al mover la palanca de mando de válvula reguladora, tenga cuidado de superficies calentadas y de bordes sostenidos del silenciador guarde.

PARA ARRANCAR EL MOTOR

1. Asocie el cargador del programa inicial del alambre y del caucho del enchufe de chispa al enchufe de chispa.
2. El botón del interruptor de bag/chute se debe presionar completamente por la extremidad de la tabulación delantera en la manija del bolso o el canal inclinado del soplador para que el motor comience.
3. Cerciórese de que alambre del interruptor de bag/chute esté conectado con el motor y que puesto a tierra al corchete de montaje.
4. El depósito de gasolina se debe llenar 3/4 por completo antes a empezar.
5. Mover la palanca de control del acelerador a la posición RAPIDO.
6. Mover la palanca de estrangulador a la palanca de control del acelerador. Véase El Cuadro 8.

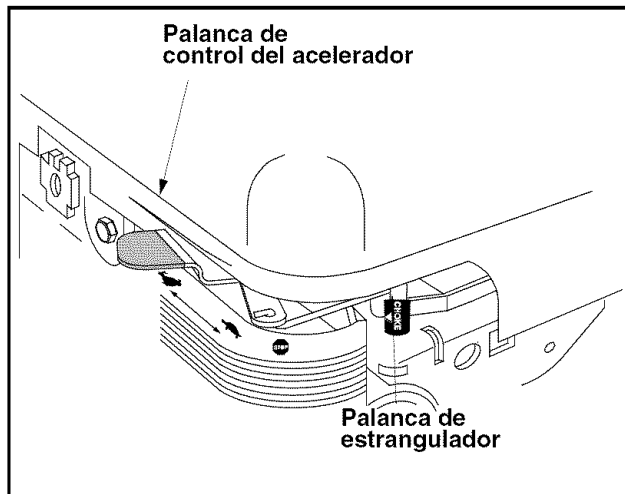


Figura 8

7. Estando parado detrás de la unidad, agarre la manija del arrancador y saque la cuerda hasta que usted siente una fricción.
8. Tire de la cuerda con un movimiento rápido, continuo, completo del brazo. Guarde un apretón firme en la manija del arrancador. Deje la cuerda rebobinar lentamente.
9. Repetición, en caso de necesidad, hasta que el motor comienza. Cuando el motor comienza, mueva la palanca de la válvula reguladora / de

la estrangulación gradualmente a la posición de START/run.

10. Si el motor vacila, mueva la palanca de mando a la posición de la ESTRANGULACIÓN, entonces de nuevo a la posición de START/run.
11. Mantenga SIEMPRE el control de válvula reguladora la posición de START/run al funcionar el vacío de la yarda.

Descarga de la bolsa

- Desenganche las tiras de la bolsa de la manija inferior y desabroche el broche de la bolsa de la parte superior de la manija inferior. Ver Figure 9.
- Tome la manija de la bolsa con una mano y tire de la varilla de seguridad del soporte de montaje hacia el motor con la otra mano para soltarla.
- Saque la bolsa del borde de la abertura de descarga. Consulte Figura 4.
- Gire los dos botones de la parte posterior de la bolsa para abrirla y vaciar el contenido. Ver Figure 9.

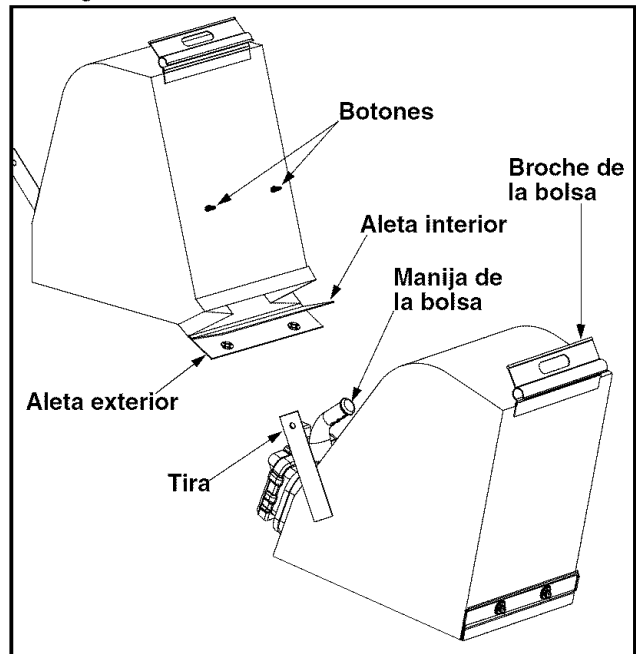


Figure 9

- Sostenga la manija y el broche de la bolsa mientras vacía el contenido.
- Comprima la abertura de la bolsa y doble la aleta interior sobre la abertura.
- Doble la aleta exterior sobre la aleta interior e inserte los botones de la bolsa a través de las salidas metálicas.
- Gire los botones para cerrar la bolsa.

Extracción del canal de soplado

- Tome el canal de soplado con una mano y tire de la varilla de seguridad del soporte de montaje

hacia el motor con la otra mano para soltarlo. Consulte Figura 6.

- Saque el canal de soplado del borde de la abertura de descarga.

Uso del pico de la aspiradora

- Coloque la manija del pico / manguera de la aspiradora en la posición superior del pico para aspirar a través del mismo. Ver Figure 10.
- El perno con resorte debe estar en el primer agujero de la adaptación de la manguera para operar el pico de la misma.
- Coloque ambas manos en la parte superior de la manija superior para desplazar la unidad por encima de los desechos acumulados en el patio.

El desecho que se acumula en los patios como por ejemplo las hojas y las agujas de los pinos pueden aspirarse a través del pico para triturarlos. Después que ha triturado el material con las hojas de desgranar del montaje del motor, el mismo será descargado a la bolsa colectora o a través del canal de soplado. Sólo utilice la máquina para triturar o picar el material integrante de la vegetación que se encuentra en un patio normal (es decir, ramas, hojas, ramas pequeñas, etc.) Evite las plantas fibrosas como por ejemplo las de tomates hasta que estén totalmente secas. Se pueden introducir materiales como por ejemplo troncos o ramas pesadas de hasta 1 1/2" de diámetro en el canal de la cortadora.

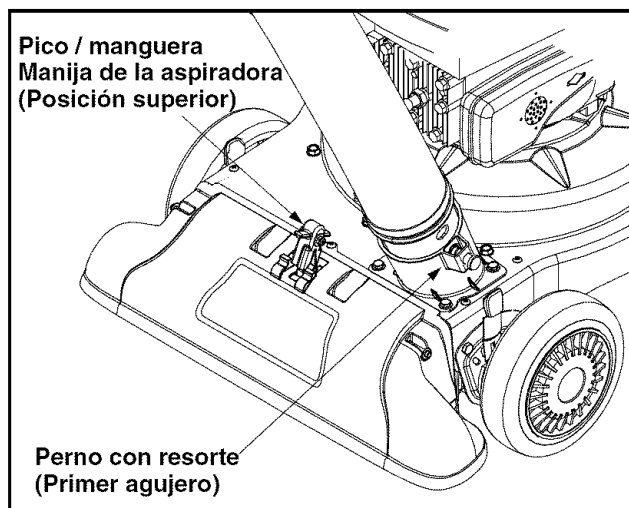


Figure 10

IMPORTANTE: La pantalla de desgranado está ubicada dentro de la caja en la zona de descarga. Si se tapa la pantalla de desgranado, sáquela y límpiela como se indica en SECCIÓN 5: MANTENIMIENTO DE LA ASPIRADORA PARA PATIOS. Para obtener el mejor resultado es importante también mantener afilada la hoja de la cortadora.



ADVERTENCIA: Siempre detenga el motor y desconecte el cable de la bujía antes de realizar cualquier ajuste.

Uso del montaje de la manguera

- Coloque la manija del pico / manguera de la aspiradora en la posición de la base del pico para volver a dirigir la aspiración al montaje de la manguera. Ver Figure 11.
- Para operar el ensamblado de la manguera, el perno con resorte debe estar en el segundo agujero del adaptador de la misma.
- Desenganche la manguera del soporte de la manija superior y tome la manija de la manguera para dirigirla mientras aspira los desechos que se acumulan en los patios como por ejemplo hojas o agujas de pinos que se encuentran en lugares de difícil acceso.

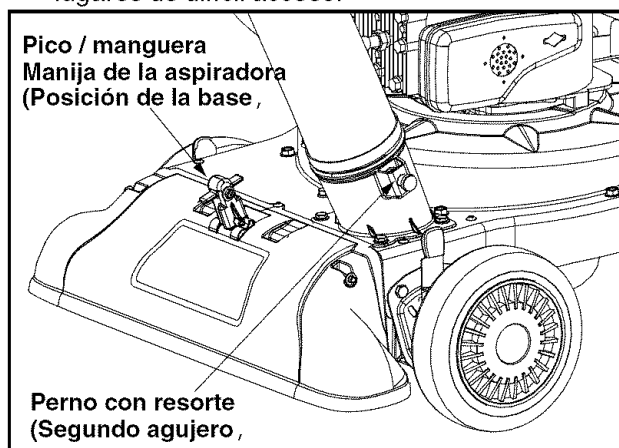


Figure 11

Ajuste de la altura del pico

Puede ajustar el pico en seis posiciones que varían desde 5/8" a 4 1/8" de distancia del suelo. Debe ajustar la altura del pico según las condiciones. Mueva las palancas para ajustar la altura hacia adelante o hacia atrás para ajustar el pico hacia arriba o hacia abajo. Ver Figure 11.

MANTENIMIENTO

PROGRAMA DE MANTENIMIENTO		Antes del almacenamiento	Después de cada uso	Primeras 5 horas	Cada 25 horas	Cada 50 horas	Antes del almacenamiento
PRODUCTO	Lubricación				✓		✓
	Limpiar el equipo		✓				✓
MOTOR	Revisar nivel aceite	✓					
	Cambiar aceite motor			✓	✓		✓
	Limpiar filtro de aire				✓		
	Limpiar la bujía					✓	✓
	Limpiar el silenciador					✓	
	Limpiar el motor				✓		✓

RECOMENDACIONES GENERALES

- Siempre respetar las reglas de seguridad durante los trabajos de mantenimiento.
- La garantía de esta máquina no cubre los componentes que han estado sujetos a maltrato o descuido. Para recibir todo el valor de la garantía, el operador debe conservar el equipo tal como se indica en este manual.
- Será necesario hacer algunos ajustes periódicamente para mantener el equipo en buen estado.
- Seguir el programa de mantenimiento.
- Revisar periódicamente todos los pernos, tornillos, tuercas, etc. y asegurarse que estén bien apretados.



ADVERTENCIA: Siempre apagar el motor, desconectar el cable de la batería y conectarlo a tierra antes de ejecutar el mantenimiento o los ajustes.

LUBRICACION

- **Ruedas** - Una vez en la temporada, colocar unas pocas gotas de aceite SAE 30 en cada tornillo de reborde. Ver la Figura 7.
- **Palancas de ajuste de altura de la boquilla** - Lubricar estas palancas con aceite ligero. Ver la Figura 7.
- **Varilla de fijación** - Lubricar la varilla y los resortes de compresión que se encuentra fijados a la escuadra de montaje. Ver la Figura 5.

LIMPIEZA DEL EQUIPO

- Limpiar a fondo la aspiradora para jardines después de cada uso.
- Lavar el recolector periódicamente con agua. Dejar secar a la sombra.
- Si la rejilla se obstruye, retirarla y limpiarla como se indica en la sección SERVICIO Y AJUSTES.

NOTE: No se recomienda limpiar la máquina con un chorro fuerte de agua ya que se podría contaminar el sistema de combustible.

REVISION DEL ACEITE DEL MOTOR

- Retirar la varilla de medición de nivel de aceite.
- Revisar el nivel de aceite en la varilla. Debe estar hasta la marca FULL (LLENO).
- Volver a colocar la varilla y apretarla.

CAMBIO DE ACEITE DEL MOTOR

- Usar únicamente aceite detergente de buena calidad clasificado con la clasificación de servicio SF, SG o SH de la API. Escoger el grado de viscosidad SAE del aceite de acuerdo con la temperatura de trabajo anticipada. Guiarse por el gráfico de viscosidad.
- Apagar el motor y dejar pasar varios minutos antes de revisar el nivel de aceite. Con la máquina en suelo nivelado, el aceite debe estar en la marca FULL (LLENO) en la varilla de medición.
- Cambiar el aceite después de las primeras cinco horas de funcionamiento, y de allí en adelante hacerlo cada veinticinco horas.

PARA VACIAR EL ACEITE

Vaciar el aceite mientras el motor está caliente. Seguir las instrucciones siguientes.

- Vaciar el tanque de gasolina, arrancar el motor y dejarlo funcionando hasta que la tubería de combustible y el carburador estén vacíos.
- Retirar la varilla de medición de llenado de aceite.
- Inclinar la máquina sobre su costado para vaciar el aceite por el tubo de llenado.
- Una vez que se ha vaciado todo el aceite del motor, volver a llenar con aproximadamente 20 onzas de aceite fresco. Ver el párrafo sobre **Llenado de gasolina y aceite** en la sección OPERACION.
- Volver a colocar la varilla de medición.

SERVICIO DEL FILTRO DE AIRE

El filtro de aire impide la tierra, polvo, etc. dañinos entren al carburador y sean empujados al interior del motor, y es importante para la duración y funcionamiento del motor. El filtro de aire es un filtro de espuma de uretano. **Nunca hacer funcionar** el motor sin tener el filtro de aire totalmente armado.

Para limpiar el filtro de aire:

- Retirar el filtro de espuma de la caja de plástico ubicada encima del motor.
- Lavar en una solución de agua y detergente, y exprimirlo (sin estrujarlo) hasta quitarle todas las impurezas.
- Enjuagar completamente en agua limpia.
- Envolverlo en un paño limpio y exprimirlo (sin estrujar) hasta que esté completamente seco, o dejar secar al aire.
- Saturar con aceite para motor y exprimirlo para distribuir el aceite y eliminar el aceite sobrante.
- Colocar el filtro de espuma dentro de la caja de plástico.

NOTE: Si el filtro de espuma está desgarrado o tiene cualquier daño, cambiarlo.



ADVERTENCIA: La temperatura del silenciador y las áreas cercanas puede sobrepasar de 150°F (65°C). Evitar tocar esas áreas.

SERVICIO DE LA BUJIA

- Limpiar la bujía y ajustar la distancia entre electrodos a 0.030 pulgada por lo menos una vez en la temporada o cada 50 horas de funcionamiento. Ver la Figura 12. Se recomienda cambiar la bujía al comienzo de cada temporada o estación. Consultar la lista de repuestos del motor para determinar el tipo correcto de bujía.

NOTE: No limpiar la bujía con un chorro de arena. Hacerlo con un cepillo de alambre o una rasqueta y lavarla con un solvente comercial.

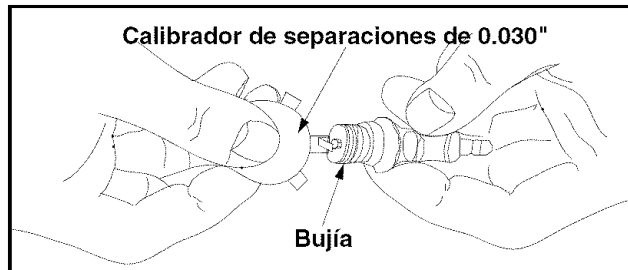


Figura 12

SERVICIO DEL SILENCIADOR

- Inspeccionar el silenciador periódicamente y reemplazarlo cuando sea necesario.
- Si el motor tiene un chispero, retirarlo cada 50 horas de uso para limpieza e inspección. Reemplazarlo si está dañado.



WARNING: No manejar la aspiradora para jardines sin que tenga instalado el silenciador. No estorbar el sistema de escape. El silenciador o chispero dañado puede crear un peligro de incendio.

LIMPIEZA DEL MOTOR

- Para limpiar el motor, quitarle la tierra y residuos con un paño o cepillo.
- Quitar frecuentemente los restos de pasto, tierra y residuos de las aletas de enfriamiento, tamiz de la toma de aire, palancas y varillaje. Esto ayudará a asegurar el enfriamiento adecuado y la velocidad del motor.

SERVICIO Y AJUSTES



ADVERTENCIA: Nunca hacer ningún ajuste a la máquina sin primero apagar el motor y desconectar el cable de la bujía.

Ajuste de la altura del pico

Puede ajustar el pico en seis posiciones que varían desde 5/8" a 4 1/8" de distancia del suelo. Debe ajustar la altura del pico según las condiciones. Mueva las palancas para ajustar la altura hacia adelante o hacia atrás para ajustar el pico hacia arriba o hacia abajo. Ver Figure 13.

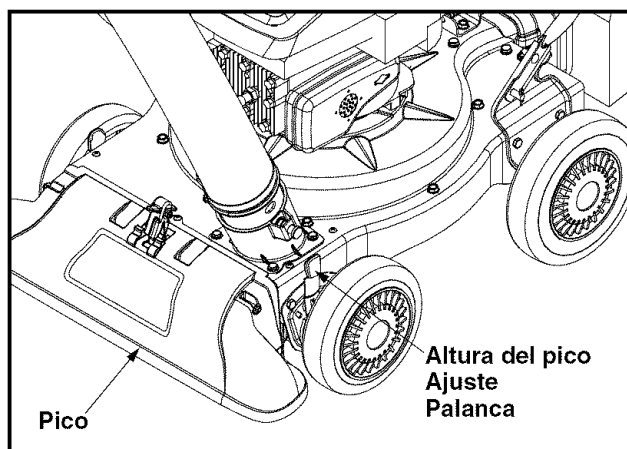


Figure 13

AJUSTE DEL CARBURADOR



ADVERTENCIA: Si al motor se le hace cualquier ajuste (por ej., carburador) mientras está funcionando, mantenerse alejado de todas las piezas en movimiento. Tener cuidado de no tocar el silenciador y todas las superficies calientes.

El carburador fue preajustado en la fábrica y no debería necesitar ningún ajuste. Si el motor no funciona debidamente debido a posibles problemas en el carburador, llevar la máquina a un centro de servicio Sears para reparación y ajuste.

NOTE: El filtro de aire sucio causará el funcionamiento irregular del motor. Asegurarse de limpiar el filtro de aire y que esté conectado al carburador antes de proceder a ajustar el carburador.

VELOCIDAD DEL MOTOR

La velocidad del motor de la aspiradora para jardines aspiradora para jardines fue ajustada en la fábrica. No intentar aumentar las revoluciones por minuto del motor. En el caso de que el motor esté funcionando demasiado rápido o lento, llevar la

máquina a un centro de servicio Sears para reparación y ajuste.



WARNING: No intentar alterar la velocidad del motor moviendo el varillaje del gobernador del motor. El hacerlo podría resultar en graves lesiones personales y daño al motor. La velocidad (rpm) del motor fue ajustada en la fábrica.

RETIRO DE LA REJILLA DE FLAGELOS

En el caso de que el área de descarga está obstruida, retirar la rejilla de flagelos y limpiar el área de la manera siguiente.

- Apagar el motor. Asegurarse que la máquina está totalmente detenida.
- **Desconectar el cable de la bujía y conectarlo a tierra** antes de desatascar el tubo de descarga.
- Ver tener acceso a la rejilla de trituración, retirar el recolector o el tubo de soplado de la máquina como se indica en la sección OPERACION. Ver la Figura 14.

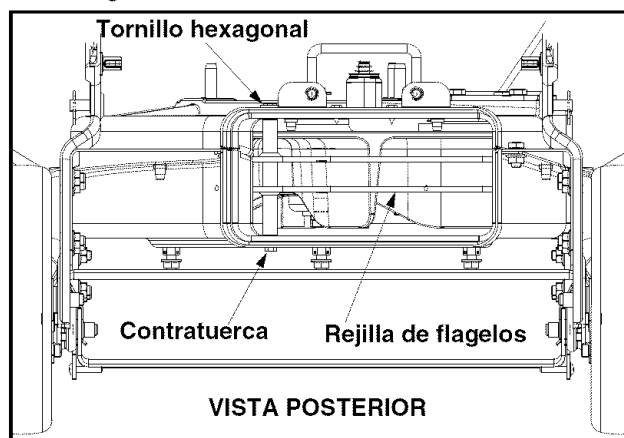


Figure 14

- En el lado derecho de la máquina, quitar el tornillo hexagonal que sujeta la rejilla de flagelos. Ver la Figura 15.

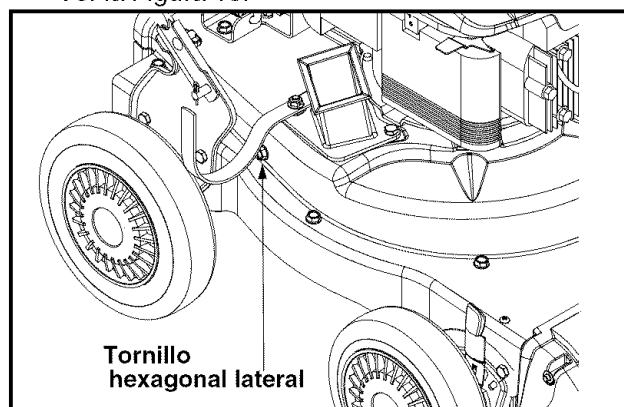


Figure 15

- Retirar el tornillo hexagonal ubicados encima de la carcasa trasera cerca de la escuadra de montaje y la contratuerca que sujeta la rejilla de flagelos. Ver las Figura 14.
- Retirar y limpiar la rejilla con una rasqueta o lavarla con agua. Volver a instalar la rejilla.

AFILADO O REEMPLAZO DE LA CUCHILLA ASTILLADORA

Debido a que el motor de esta máquina tiene el cigüeñal cónico, se necesita un extractor especial (número de pieza 753-0900) para retirar el impulsor. Para asistencia técnica, comunicarse con el centro de servicio Sears.

NOTE: Cuando se vaya a inclinar la máquina, vaciar el tanque de combustible y mantener el lado con la bujía del motor hacia arriba.

- Desconectar el cable de la bujía y conectarlo a tierra.
- Quite los tapacuboss delanteros, ciérrese chiflado, ruedas delanteras, y las arandelas de onda(ola) que atan a las asambleas de brazo de pivote. Ver la Figura 16.

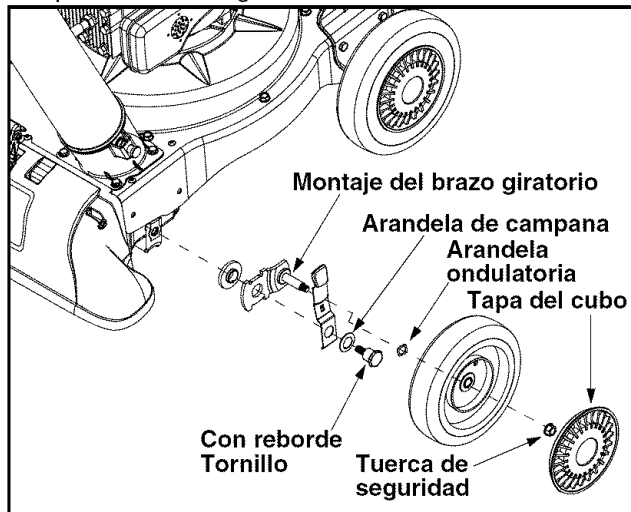


Figura 16

- Quite los tornillos de hombro y las arandelas de campana que examinan las armas(brazos) de pivote a la abrazadera de apoyo delantera.
- Quitar los tres tornillos en la carcasa superior que sujetan la cubierta de la boquilla y los nueve tornillos que sujetan la carcasa inferior a la superior. Ver la Figura 17.
- Quitar la contratuerca que sujeta la rejilla de trituración a la carcasa inferior. No es necesario retirar la rejilla. Ver las Figura 14.

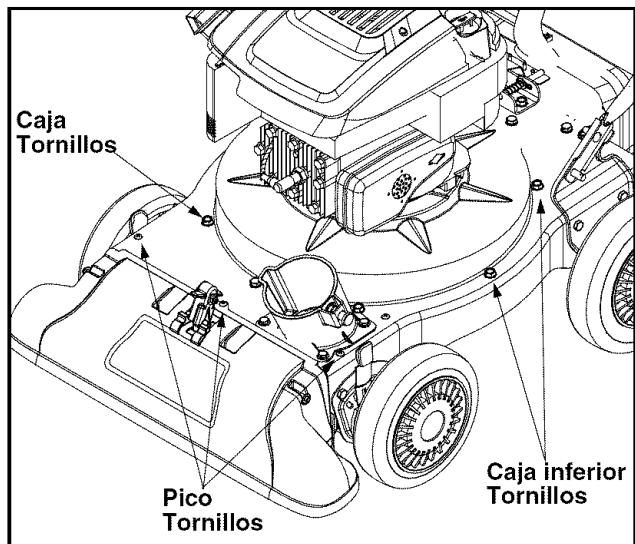


Figura 17

- Quitar el perno hexagonal, la arandela de seguridad y la arandela plana que sujetan el conjunto rotor al cigüeñal. Ver la Figura 18.

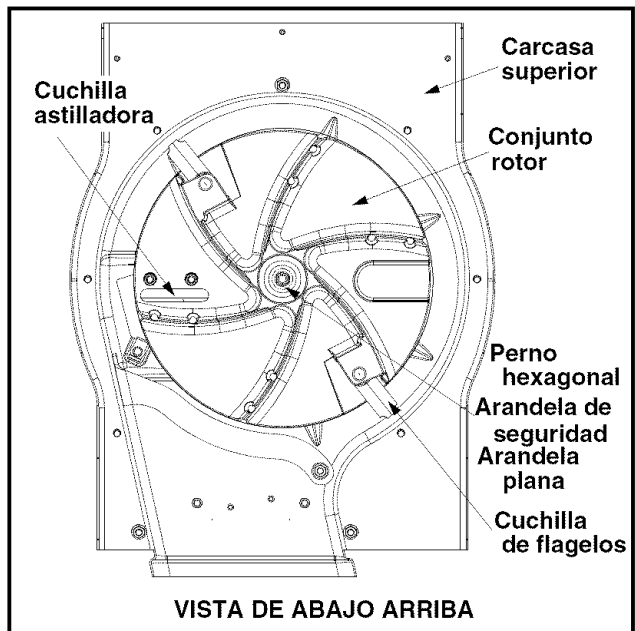


Figura 18

- Aplicar lubricante a las roscas del extractor del rotor y luego enroscar el extractor en el cigüeñal. Parar cuando el rotor se pueda mover en el cigüeñal.
- Retirar el rotor del cigüeñal. Desenroscar el extractor del rotor.
- Retirar la cuchilla astilladora utilizando para ello una llave allen de 3/16" en el exterior de la cuchilla y una llave de 1/2" en el lado inferior del rotor.
- Reemplazar o afilar la cuchilla astilladora.
- Para afilar la cuchilla, protegerse las manos con guantes y seguir el ángulo original de afilado.
- Volver a ensamblar ejecutando los pasos previosos en orden inverso.

- Apretar los tornillos de la cuchilla a 210 - 250 pulg-lbs.
- Apretar el perno del rotor a 375-425 pulg-lbs.

NOTE: Asegurar de instalar la cuchilla astilladora con el filo hacia arriba. Ver la Figura 19.

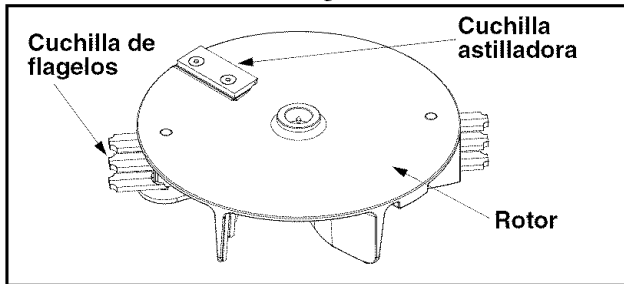


Figura 19

ALMACENAMIENTO

Preparar la aspiradora para jardines Craftsman para su almacenamiento al final de la temporada o si la máquina va a estar sin usar durante 30 días o más. Una revisión anual por el centro de servicio Sears local es una buena manera de asegurar que la máquina funcione perfectamente la temporada siguiente.

Aspiradora para jardines

- Limpiar el equipo completamente.
- Frotarlo con un trapa aceitado para impedir que se oxide. Frotar con aceite ligero o silicona.
- Preparar el motor de acuerdo a las instrucciones siguientes.
- Guardar la máquina en un lugar limpio y seco. No hacerlo cerca de materiales corrosivos tal como los fertilizantes.

Motor

IMPORTANT: Es importante impedir la formación de depósitos gomosos en las piezas del sistema de combustible tales como el carburador, filtro, manguera y tanque de combustible durante el almacenamiento. Además, los combustibles mezclados con alcohol (llamados gasohol o el uso de etanol o metanol) pueden atraer humedad la que conduce a la separación y formación de ácidos durante el almacenamiento. El gas ácido puede dañar el sistema de combustible del motor durante el almacenamiento.

Para evitar problemas en el motor, vaciar el sistema de combustible antes de guardar la máquina por 30 días o más. Proceder de la manera siguiente:

- Vaciar el tanque de combustible.
- Arrancar el motor y dejarlo funcionar hasta que la tubería de combustible y el carburador estén vacíos.
- Vaciar el carburador.
- Nunca usar productos para limpiar motores o carburadores en el tanque de combustible pues podría ocurrir un daño permanente.

NOTE: El uso de un estabilizador de combustible es una alternativa aceptable para reducir la formación de depósitos gomosos de combustible durante el almacenamiento.

- Añadir estabilizador a la gasolina en el tanque o en el contenedor de almacenamiento.
- Siempre seguir la relación de mezcla indicada en el envase del estabilizador.
- Hacer funcionar el motor durante por lo menos 10 minutos después de añadir el estabilizador para que éste llegue al carburador.
- No vaciar el tanque de combustible y el carburador si se usa estabilizador de combustible. Vaciar el aceite del cárter (hacerlo después de haber hecho funcionar el motor y que todavía esté caliente) y llenar el cárter con aceite fresco.
- Si se vació el tanque de combustible, proteger el interior del motor de la manera siguiente:
- Retirar la bujía, verter aproximadamente 1/2 onza (aprox. una cucharada) de aceite de motor en el cilindro y hacer girar lentamente el motor para distribuir el aceite.
- Colocar la bujía.

Otros

- No guardar la gasolina de una temporada a otra.
- Reemplazar la gasolina si comienza a oxidarse. El óxido y/o impurezas en la gasolina causarán problemas.
- Guardar la máquina en un lugar limpio y seco. No hacerlo cerca de materiales corrosivos, tal como los fertilizantes.

NOTE: Si se va a guardar la máquina en un galpón sin ventilación o de metal, asegurarse de protegerla contra oxidación aplicándole una capa de aceite ligero o silicona.

LOCALIZACION DE AVERIAS

Problema	Causas posibles	Solución
El motor no arranca	<ol style="list-style-type: none"> 1. El tanque de combustible está vacío o combustible está viejo. 2. El cable de la bujía está desconectado. 3. No se puede tirar de la cuerda de arranque. 4. El estrangulador está en la posición ON (conectado). 5. La bujía está mala. 6. No se oprimió el interruptor de seguridad. 7. El alambre del interruptor de seguridad no está conectado al motor o está mal conectado a tierra. 	<ol style="list-style-type: none"> 1. Llenar el tanque con gasolina limpia y fresca. El combustible no durará más de treinta días a menos que se le añada un estabilizador. 2. Conectar el cable de la bujía. 3. Hay una obstrucción atascada en el rotor. Desconectar el cable de la bujía y quitar el objeto atascado. 4. Mover de la posición CHOKE a la posición ON. 5. Limpiar y ajustar la distancia entre electrodos o cambiar la bujía. 6. El interruptor de seguridad debe estar oprimido por la lengüeta delantera ubicada en el mango del recolector cuando se instala este último. 7. Conectar el alambre del interruptor de seguridad al conector del motor y conectarlo a tierra en la escuadra de montaje.
Pérdida de potencia; funcionamiento irregular	<ol style="list-style-type: none"> 1. El cable de la bujía está suelto. 2. La máquina está funcionando en CHOKE (estrangulador). 3. La manguera de combustible está obstruida o el combustible está viejo. 4. Hay agua o tierra en el sistema de combustible. 5. El carburador está desajustado. 	<ol style="list-style-type: none"> 1. Conectar el cable de la bujía y apretarlo. 2. Mover la palanca de estrangulación a la posición OFF (desconectado). 3. Limpiar la manguera de combustible; llenar el tanque con gasolina limpia y fresca. El combustible no durará más de treinta días a menos que se le añada un estabilizador. 4. Desconectar la manguera de combustible al carburador y vaciar el tanque. Llenar con combustible fresco. 5. Contactar al centro de servicio Sears.
Demasiada vibración	<ol style="list-style-type: none"> 1. Piezas sueltas o rotor dañado. 	<ol style="list-style-type: none"> 1. Apagar el motor inmediatamente y desconectar el cable de la bujía. Llevar la máquina a un centro de servicio Sears.
El motor se sobrecalienta	<ol style="list-style-type: none"> 1. Carburador mal ajustado. 2. Bajo nivel de aceite del motor. 	<ol style="list-style-type: none"> 1. Contactar al centro de servicio Sears. 2. Llenar el cárter con el tipo correcto de aceite.
La máquina no descarga	<ol style="list-style-type: none"> 1. El tubo de descarga está obturado. 2. Hay un objeto extraño atascado en el rotor. 3. Baja velocidad (rpm) del motor. 4. El recolector está lleno. 5. La cuchilla astilladora está desafilada. 	<ol style="list-style-type: none"> 1. Apagar el motor inmediatamente y desconectar el cable de la bujía. Limpiar la rejilla de trituración y el interior de la boca de descarga. Ver la sección Mantenimiento en este manual. 2. Apagar el motor inmediatamente y desconectar el cable de la bujía. Quitar el objeto atascado. 3. Siempre hacer funcionar el motor con el acelerador a fondo. 4. Vaciar el recolector. Cambiar la cuchilla astilladora o contactar al centro de servicio Sears.

NOTE: Para otros tipos de reparaciones aparte de los ajustes menores indicados más arriba, rogamos dirigirse al centro de servicio Sears de la localidad.

Repair Protection Agreements

Congratulations on making a smart purchase. Your new Craftsman® product is designed and manufactured for years of dependable operation. But like all products, it may require repair from time to time. That's when having a Repair Protection Agreement can save you money and aggravation.

Purchase a Repair Protection Agreement now and protect yourself from unexpected hassle and expense.

Here's what's included in the Agreement:

Expert service by our 12,000 professional repair specialists

Unlimited service and no charge for parts and labor on all covered repairs

Product replacement if your covered product can't be fixed

Discount of 10% from regular price of service and service-related parts not covered by the agreement; also, 10% off regular price of preventive maintenance check

Fast help by phone – phone support from a Sears technician on products requiring in-home repair, plus convenient repair scheduling

Once you purchase the Agreement, a simple phone call is all that it takes for you to schedule service. You can call anytime day or night, or schedule a service appointment online.

Sears has over 12,000 professional repair specialists, who have access to over 4.5 million quality parts and accessories. That's the kind of professionalism you can count on to help prolong the life of your new purchase for years to come. Purchase your Repair Protection Agreement today!

Some limitations and exclusions apply. For prices and additional information call 1-800-827-6655.

Sears Installation Service

For Sears professional installation of home appliances, garage door openers, water heaters, and other major home items, in the U.S.A. call **1-800-4-MY-HOME®**

Acuerdo De Protección Para Reparaciones

Felicitaciones por haber realizado una adquisición inteligente. El producto Craftsman® que ha adquirido está diseñado y fabricado para brindar muchos años de funcionamiento confiable. Pero como todos los productos a veces puede requerir de reparaciones. Es en ese momento cuando el disponer de un Acuerdo de protección para reparaciones le puede ahorrar dinero y problemas. Adquiera ahora un Acuerdo de protección para reparaciones y protéjase de problemas y gastos inesperados. A continuación se detallan los puntos incluidos en el Acuerdo:

Servicio experto prestado por nuestros 12.000 especialistas en reparaciones profesionales

Servicio ilimitado sin cargo para las piezas y la mano de obra en todas las reparaciones cubiertas

Reemplazo del producto isi no es posible reparar el producto cubierto

Descuento de 10% del precio normal del servicio y de las piezas relacionadas con el mismo que no estén cubiertas por el acuerdo; además, 10% del precio normal de la verificación de mantenimiento preventivo

Ayuda rápida por teléfono – asistencia telefónica a cargo de un técnico de Sears para los productos que requieren reparación a domicilio además de una programación conveniente para la reparación

Una vez adquirido el Acuerdo, puede programar el servicio con tan sólo realizar una llamada telefónica. Puede llamar en cualquier momento del día o de la noche o programar un servicio en línea.

Sears dispone de más de 12.000 especialistas en reparaciones profesionales que tienen acceso a más de 4.5 millones de piezas y accesorios de buena calidad. Este es el tipo de profesionalismo en el que puede confiar para que le ayude a prolongar la vida útil del producto recientemente adquirido en los años por venir. ¡Adquiera hoy su acuerdo de protección para reparaciones!

Se aplican determinadas limitaciones y exclusiones. Por precios e información adicional llame al 1-800-827-6655. Sears Installation Service (servicio de instalaciones de Sears). Si desea solicitar la instalación profesional de Sears de aparatos domésticos, dispositivos para abrir portones, calentadores de agua y otros artículos domésticos importantes, en los Estados Unidos llame al **1-800-4-MY-HOME®**

Get it fixed, at your home or ours!

Your Home

For repair – **in your home** – of **all** major brand appliances, lawn and garden equipment, or heating and cooling systems, **no matter who made it, no matter who sold it!**

For the replacement parts, accessories and owner's manuals that you need to do-it-yourself.

For Sears professional installation of home appliances and items like garage door openers and water heaters.

1-800-4-MY-HOME® (1-800-469-4663)

Call anytime, day or night (U.S.A. and Canada)

www.sears.com www.sears.ca

Our Home

For repair of carry-in items like vacuums, lawn equipment, and electronics, call or go on-line for the location of your nearest **Sears Parts & Repair Center.**

1-800-488-1222

Call anytime, day or night (U.S.A. only)

www.sears.com

To purchase a protection agreement (U.S.A.) or maintenance agreement (Canada) on a product serviced by Sears:

1-800-827-6655 (U.S.A.)

1-800-361-6665 (Canada)

Para pedir servicio de reparación a domicilio, y para ordenar piezas:

1-888-SU-HOGARSM

(1-888-784-6427)

Au Canada pour service en français:

1-800-LE-FOYER^{MC}

(1-800-533-6937)

www.sears.ca

SEARS

® Registered Trademark / TM Trademark / SM Service Mark of Sears, Roebuck and Co.

© Marca Registrada / TM Marca de Fábrica / SM Marca de Servicio de Sears, Roebuck and Co.

^{MC} Marque de commerce / ^{MD} Marque déposée de Sears, Roebuck and Co.

© Sears, Roebuck and Co.