

## 2003-2007 Chevrolet LED Headlight Assembly

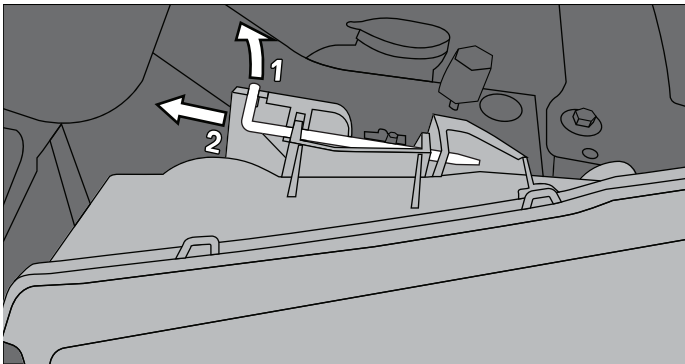
Manual ID: PIM-00014036-V001

### IMPORTANT: READ CAREFULLY BEFORE ASSEMBLY AND USE.

- Installer of this product must have a good understanding of automotive electronics, systems, and procedures.
- Whether it is replacing the headlight low beam, headlight high beam, fog lights, or taillights, always refer to the vehicle's owner's manual for detailed instruction on how such lights can be replaced. The instructions listed in this guide serves as a general reference and the steps detailed may not apply to your specific vehicle's make and model. Seek professional assistance when in doubt.
- When working with electricity make sure all relevant safety procedures are followed. Always turn the key off and disconnect the battery before working on vehicle electronics, neglecting to do so may result in bodily harm and damage to sensitive electronic components. Never cut or splice a wire without first consulting a vehicle specific manual and using a digital multimeter (DMM) to verify the identity and purpose of the wire.
- This product contains strobe light(s), halogen light(s), high-intensity LEDs, or a combination of these components. Do not look directly into the lights. Momentary blindness and/or injury to the eyes could result.
- If mounting this product requires drilling holes, the installer **MUST** be sure that no vehicle components or other vital parts could be damaged by the drilling process. Check both sides of the mounting surface before drilling begins. Also de-burr any holes and remove any metal shards or remnants. Install grommets into all wire passage holes.
- Do not attempt to activate or control this device in a hazardous driving situation.
- The installer or user must make sure the intended mounting location and application of the product conform to the law set forth by the federal, state, or local agency.

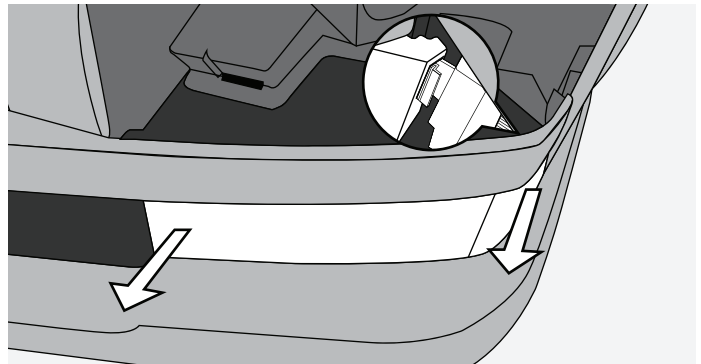
### Installation:

#### Step 1: Remove the Upper Headlight Assembly



- 1.1 Open the hood.
- 1.2 Locate retainer stake securing the upper headlight assembly to the vehicle.
- 1.3 Unlock the retainer stake by lifting it towards the front of the vehicle.
- 1.4 Slide the retainer stake towards the center of the vehicle to loosen the upper headlight assembly.
- 1.5 Lift the upper headlight assembly up to access the vehicle's high/low beam headlight wiring harness.
- 1.6 Disconnect and remove the high/low beam light bulbs from the upper headlight assembly.
- 1.7 Remove the high/low beam light bulbs from the vehicle's wiring harnesses. The bulbs will not be used with the new LED headlight assemblies.

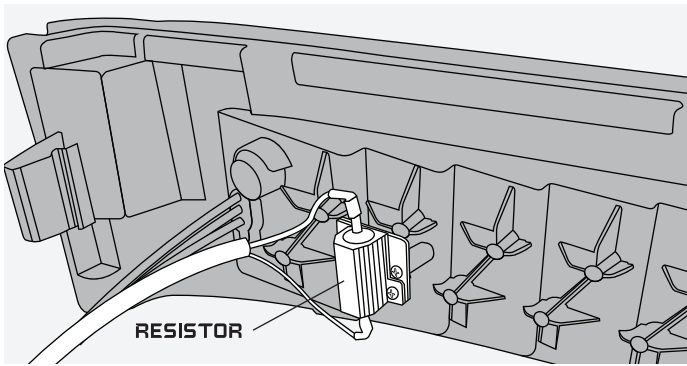
#### Step 2: Remove the Lower Headlight Assembly



- 2.1 Locate the plastic locking tab that is securing the lower headlight assembly to the vehicle.
- 2.2 Remove the lower headlight assembly by pulling it forward by the outer edge of the housing while depressing the plastic locking tab.  
**NOTE:** Do NOT pull too hard or too far as the lower headlight assembly would still be connected to the vehicle's wiring harnesses.
- 2.3 Disconnect and remove the running light, turn signal, and marker light light bulbs from the lower headlight assembly.
- 2.4 Remove the running light, turn signal, and marker light light bulbs from the vehicle's wiring harnesses. The bulbs will not be used with the new LED headlight assemblies.

#### Step 3: Connect, Mount, and Test the New Headlight Assemblies

- 3.1 Connect the vehicle's running light, turn signal, and marker light wiring harnesses to the lower headlight assembly.
- 3.2 Install the lower headlight assembly by pushing it into position ensuring the locking tab is seated in place.  
**CAUTION!** The resistors can get extremely hot during and after it has been used. Do allow the resistors at least 10 minutes to cool down before touching it if necessary.

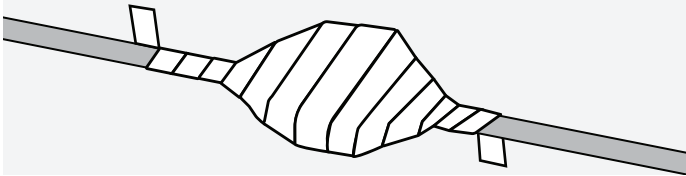


3.3 Make sure no wiring or cable will come in contact with the resistors mounted on the back of the lower headlight assembly

3.4 Connect the vehicle's high/low beam harnesses to the upper headlight assembly.

**TIP:** The high beam harness is the inner harness that is closer to the center of the vehicle while the low beam harnesses is the outer harness located closer to the front wheels of the vehicle.

#### HOW TO APPLY FRICTION TAPE OVER CONNECTORS

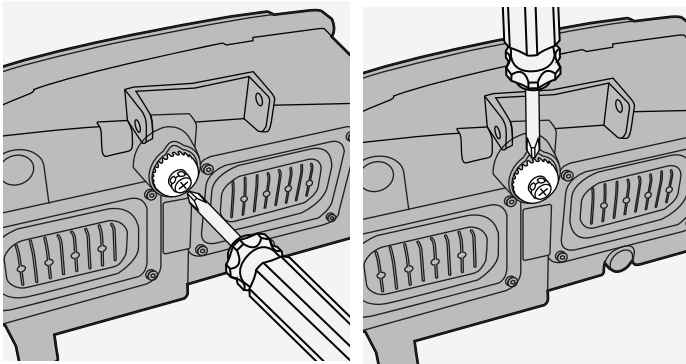


**NOTE:** Certain trims of the Chevrolet utilize different wattage light bulbs with connectors that vary slightly in size. If the connectors between the vehicle's wiring harness and the new light assembly feels loose, reinforce the connectors using the included friction tape as shown in the diagram above.

3.5 Install the upper headlight assembly by seating it in position and securing it in place using the retainer stake removed in Step 1.

3.6 Repeat all of the above steps for the other side of the vehicle.

#### Step 4: Test and Adjust the New Headlight Assemblies



4.1 Test the running lights, turn signal, high beam and low beam functions once both sides of the headlight assemblies are connected and installed.

**NOTE: If the low or high beams do not turn ON, disconnect the connectors, rotate it 180 degrees, reconnect and re-test.**

4.2 Adjust the headlight angle if necessary.