



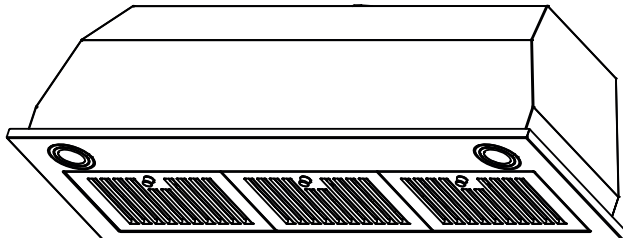
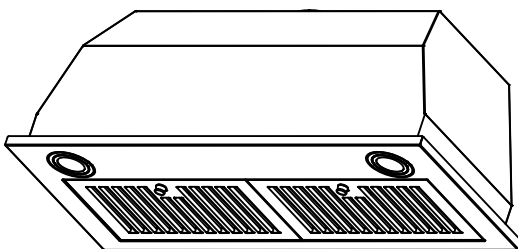
INSERT RANGE HOOD

COS-30IRHP

COS-30IRHS

COS-36IRHP

COS-36IRHS



IRH RANGE HOOD SERIES

INSTALLATION INSTRUCTIONS AND USE & CARE GUIDE

IMPORTANT: READ AND SAVE THESE INSTRUCTIONS.
FOR RESIDENTIAL USE ONLY.

INSTALLER: PLEASE LEAVE THESE INSTRUCTIONS WITH THIS UNIT FOR
THE OWNER.

OWNER: PLEASE RETAIN THESE INSTRUCTIONS FOR FUTURE
REFERENCE.

Rev.23.10

THANK YOU FOR YOUR PURCHASE

Thank you for your purchase. We know that you have many brands and products to choose from and we are honored to know that you have decided to take one of our products into your home and hope that you enjoy it.

COSMO Appliances are designed according to the strictest safety and performance standard for the North American market. We follow the most advanced manufacturing philosophy. Each appliance leaves the factory after thorough quality inspection and testing. Our distributors and our service partners are ready to answer any questions you may have regarding how to install, use and care for your products. We hope that this manual will help you learn to use the product in the safest and most effective manner.

Before using this product, please read through this manual carefully. Keep this user manual in a safe place for future reference. Please ensure that other persons using this product are familiar with these instructions as well.

If you have any questions or concerns, please contact the dealer from whom you purchased the product, or contact our Customer Support at:

1-888-784-3108

Reach us online at:

www.cosmoappliances.com

TABLE OF CONTENTS

RANGE HOOD SAFETY	4
Important Safety Instructions	5
INSTALLATION REQUIREMENTS	7
Tools and Parts	7
Location Requirements	9
Product Dimensions	10
Cabinet Clearances	11
Venting Requirements	12
Electrical Requirements	16
INSTALLATION INSTRUCTIONS	17
Prepare Location	17
Install Range Hood	20
Complete Installation	21
RANGE HOOD USE	22
Controls	22
RANGE HOOD CARE	24
Cleaning	24
Replacing the Charcoal Filter	25
Replacing the LED Light	26
LIMITED WARRANTY	27

RANGE HOOD SAFETY

READ ALL INSTRUCTIONS BEFORE USING THE APPLIANCE

Your safety and the safety of others are very important.

We have provided many important safety messages in this manual and on your appliance. Always read and obey all safety messages.



This is the safety alert symbol.

This symbol alerts you to potential hazards that can kill or hurt you and others.

All safety messages will follow the safety alert symbol and either the word "WARNING" or "CAUTION." These words mean:



You can be killed or seriously injured if you don't follow instructions.



A potentially hazardous situation which, if not avoided, could result in minor or moderate injury.

All safety messages will tell you what the potential hazard is, tell you how to reduce the chance of injury, and tell you what can happen if the instructions are not followed.

California Proposition 65 Warning



Cancer and Reproductive Harm - www.P65Warnings.ca.gov.

WARNING: This appliance is intended for normal indoor residential use. It is not approved for commercial use, outdoor installation, installation over an outdoor BBQ grill, or any other application not specifically allowed by this manual. Damage from improper installation or use of this appliance is not covered by the product warranty.

IMPORTANT SAFETY INSTRUCTIONS

WARNING: TO REDUCE THE RISK OF FIRE, ELECTRIC SHOCK, OR INJURY TO PERSONS, OBSERVE THE FOLLOWING:

- Use this unit only in the manner intended by the manufacturer. If you have questions, contact the manufacturer.
- Before servicing or cleaning the unit, switch the power off at the service panel and lock the service panel to prevent power from being switched on accidentally. When the service disconnecting means cannot be locked, securely fasten a prominent warning device, such as a tag to the service panel.
- Installation work and electrical wiring must be done by qualified person(s) in accordance with all applicable codes and standards, including fire-rated construction.
- Do not operate any fan with a damaged cord or plug. Discard fan or return to an authorized service facility for examination and/or repair.
- Ducted fans must always be vented to the outdoors.
 - **CAUTION:** For general ventilating use only. Do not use to exhaust hazardous or explosive materials and vapors.

- **CAUTION:** To reduce the risk of fire and to properly exhaust air, be sure to duct air outside - do not vent exhaust air into spaces within walls or ceilings, or into attics, crawl spaces or garages.

- Sufficient air is needed for proper combustion and exhausting of gases through the flue (chimney) of fuel burning equipment to prevent backdrafting. Follow the heating equipment manufacturer's guideline and safety standards such as those published by the National Fire Protection Association (NFPA), the American Society for Heating, Refrigeration and Air Conditioning Engineers (ASHRAE), and the local code authorities.
- When cutting or drilling into the wall or ceiling; do not damage electrical wiring and other hidden utilities.

WARNING: TO REDUCE THE RISK OF A RANGE TOP GREASE FIRE:

- Never leave surface units unattended at high settings. Boilovers cause smoking and greasy spillovers that may ignite. Heat oils slowly on low or medium settings.

READ AND SAVE THESE INSTRUCTIONS

IMPORTANT SAFETY INSTRUCTIONS

- Always turn the hood ON when cooking at high heat or when flambéing food (i.e. Crepes Suzette, Cherries Jubilee, Peppercorn Beef Flambé).
- Clean ventilating fans frequently. Grease should not be allowed to accumulate on the fan or filter.
- Use proper pan sizes. Always use cookware appropriate for the size of the surface element.

WARNING: TO REDUCE THE RISK OF INJURY TO PERSONS IN THE EVENT OF A RANGE TOP GREASE FIRE, OBSERVE THE FOLLOWING:*

- SMOTHER FLAMES with a close fitting lid, cookie sheet, or metal tray, then turn off the burner. BE CAREFUL TO PREVENT BURNS. If the flames do not go out immediately, EVACUATE AND CALL THE FIRE DEPARTMENT.
- NEVER PICK UP A FLAMING PAN - you may be burned.
- DO NOT USE WATER, including wet dishcloths or towels - a violent steam explosion will result
- Use an extinguisher ONLY if:
 - You know you have a class ABC extinguisher, and you already know how to operate it.

- The fire is small and contained in the area where it started.
- The fire department is being called.
- You can fight the fire with your back to an exit.

* Based on "Kitchen Fire Safety Tips" published by NFPA.

WARNING: TO REDUCE THE RISK OF FIRE, USE ONLY METAL DUCTWORK.

WARNING: To reduce the risk of fire or electrical shock, do not use this fan with any solid-state speed control device.

WARNING: Do not let children near this appliance. Do not let children play with this appliance. Keep all packaging materials out of children's reach. Properly dispose the packaging materials after this appliance is unpacked.

- The manufacturer declines all responsibility in the event of failure to observe the instructions given here for installation, maintenance, and suitable use of the product.
- The manufacturer further declines all responsibility for injury due to negligence and the warranty of the unit automatically expires due to improper maintenance.

READ AND SAVE THESE INSTRUCTIONS

INSTALLATION REQUIREMENTS

Tools and Parts

Gather the required tools and parts before starting installation. Read and follow the instructions provided with any tools listed here.

Tools Needed

- Level
- Drill with 1/8" (3 mm) and 3/4" (19 mm) drill bits
- Pencil
- Wire stripper or utility knife
- Tape measure or ruler
- Pliers
- Caulking gun and weatherproof caulking compound
- Jigsaw or keyhole saw
- Metal snips
- Phillips screwdriver

Parts Needed

For ducted installations, you will need:

- Duct system

For ductless (recirculating) installations, you will need:

- Charcoal Filter Kit. See the "Optional Parts" section to order.

For installations inside cabinet, you will need:

- Front and rear wood stud supports. If space allowed, the addition of left and right wood stud supports is recommended. Length and thickness determined by inner cabinet dimensions and recess dimensions. See the "Product Dimensions" and "Prepare Location" sections.

Parts Supplied

Remove parts from packages. Check that all parts are included.

- Range hood main core with LED light bulbs installed
- Metal filters
- Damper (pre-installed)
- Oil tray
- 4 x 30 mm wood screws (12 + 2 spares)

Optional Parts

To purchase these or any other accessories, please visit www.cosmoappliances.com or reference the contact information at the end of this manual.

- Charcoal filter kit



Location Requirements

IMPORTANT:

- Observe all governing codes and ordinances.

Have a qualified technician install the range hood. It is the installer's responsibility to comply with installation clearances specified on the model/serial/rating plate. The model/serial rating plate is located inside the range hood on the rear wall of the range hood.

Range hood location should be away from strong draft areas, such as windows, doors, and strong heating vents.

Cabinet opening dimensions that are shown must be used. Given dimensions provide minimum clearance. Consult your cooktop/range manufacturer installation instructions before making any cutouts.

Grounded electrical outlet is required. See the "Electrical Requirements" section.

The range hood is factory set for venting through the roof or wall. For ductless (recirculating) installations see "Ductless (Recirculating) Installation Through the Soffit/Cabinet" in the "Prepare Location" section. Charcoal filters are required for ductless (recirculating) installations. See "Optional Parts" in the "Tools and Parts" section to order.

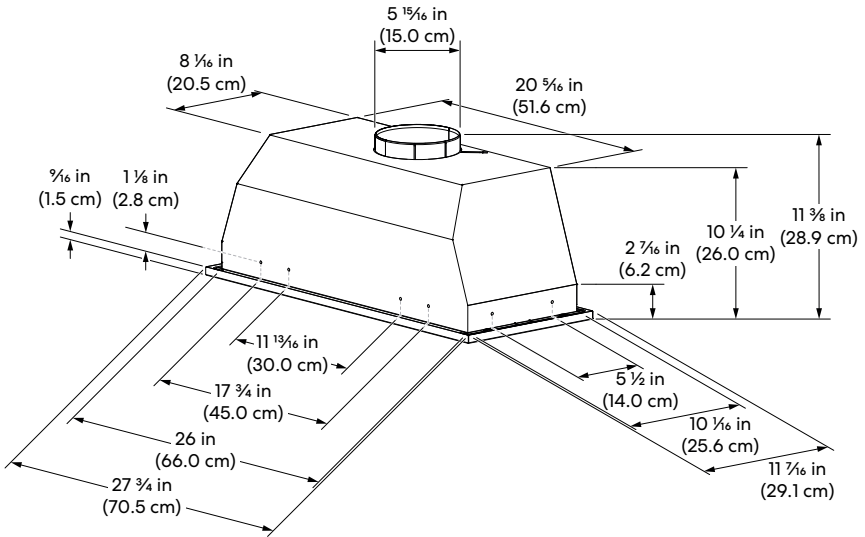
All openings in ceiling and wall where range hood will be installed must be sealed.

For Mobile Home Installations:

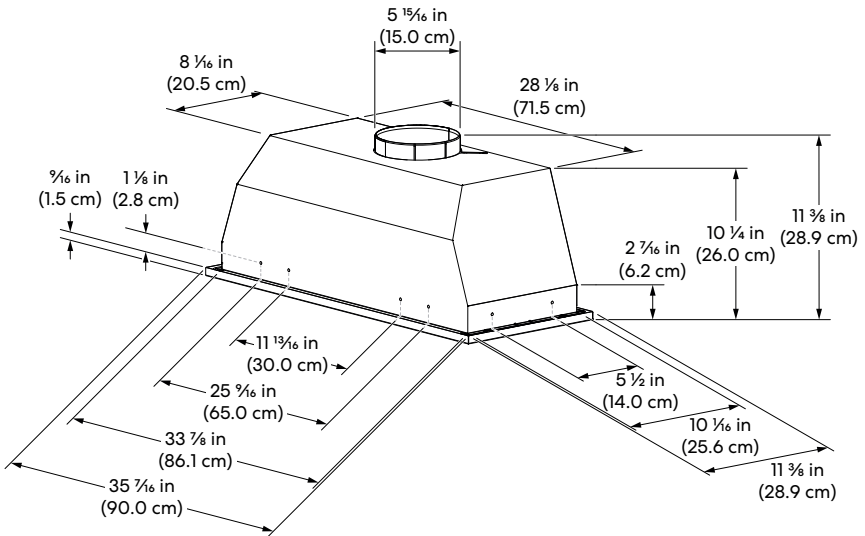
The installation of this range hood must conform to the Manufactured Home Construction Safety Standards, Title 24 CFR, Part 328 (formerly the Federal Standard for Mobile Home Construction and Safety, Title 24, HUD, Part 280) or when such standard is not applicable, the standard for Manufactured Home Installation 1982 (Manufactured Home Sites, Communities and Setups) ANSI A225.1/NFPA 501A or latest edition, or with local codes.

Product Dimensions

30" Models: COS-30IRHP / COS-30IRHS



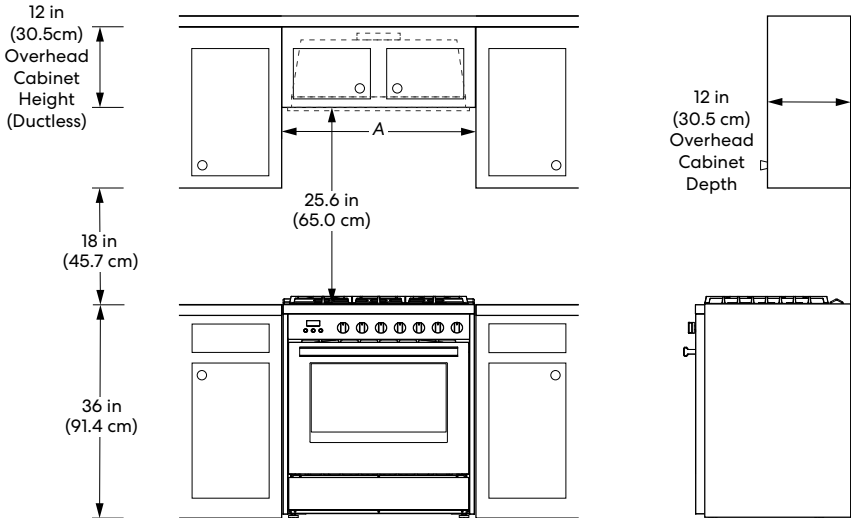
36" Models: COS-36IRHP / COS-36IRHS



Cabinet Clearances

Given dimensions are minimum clearances.

Insert Range Hood



Model	A
30" Models: COS-30IRHP / COS-30IRHS	27.8" (70.5 cm)
36" Models: COS-36IRHP / COS-36IRHS	35.4" (90.0 cm)

IMPORTANT:

- 25.6" (65.0 cm) minimum and 29.5" (75.0 cm) suggested maximum clearances between cooking surface and bottom of the range hood or the cabinet.
- For ducted wall venting installations using a 90° elbow, 12" (30.5 cm) minimum overhead cabinet clearance below the wall venting opening is required.

Venting Requirements

(Ducted installations only)

- Duct system must terminate to the outdoors, except for ductless (recirculating) installations.
- Do not terminate the duct system in an attic or other enclosed area.
- Do not use 4" (10.2 cm) laundry-type wall cap.
- Use metal duct only. A rigid metal duct is recommended. Plastic or metal foil duct is not recommended.
- The length of duct system and number of elbows should be kept to a minimum to provide efficient performance.

For the most efficient and quiet operation:

- Use rigid metal duct.
- Use no more than three 90° elbows.
- Make sure there is a minimum of 24" (61.0 cm) of straight duct between the elbows if more than 1 elbow is used.
- Do not install 2 elbows together.
- Use clamps to seal all joints in the duct system.
- The duct system must have a damper. If the roof or wall cap has a damper, do not use the damper supplied with the range hood.
- Use caulking to seal exterior wall or roof opening around the cap.
- The size of the duct should be uniform.

Cold Weather Installations:

An additional backdraft damper should be installed to minimize backward cold air flow and a thermal break should be installed to minimize conduction of outside temperatures as part of the duct system. The damper should be on the cold air side of the thermal break.

The break should be as close as possible to where the duct system enters the heated portion of the house.

Makeup Air:

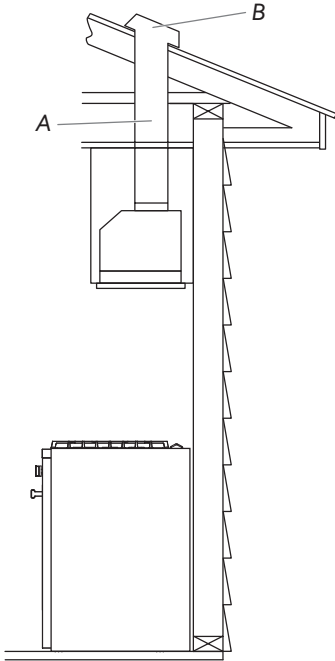
Local building codes may require the use of makeup air systems when using ventilation systems greater than specified CFM of air movement. The specified CFM varies from locale to locale. Consult your HVAC professional for specific requirements in your area.

Venting Methods

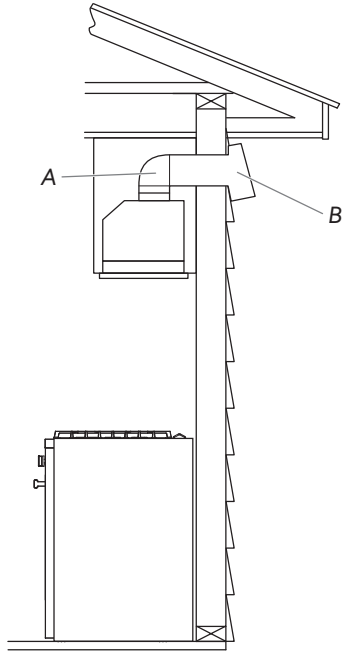
This range hood is factory set for venting through the roof or through the wall. The duct system needed for installation is not included.

A 6" (15.2 cm) round duct system is recommended.

Roof Venting



Wall Venting





- A. 6" (15.2 cm) round duct through the roof
- B. Roof cap

- A. 6" (15.2 cm) round duct through the wall
- B. Wall cap

Calculating Duct System Length

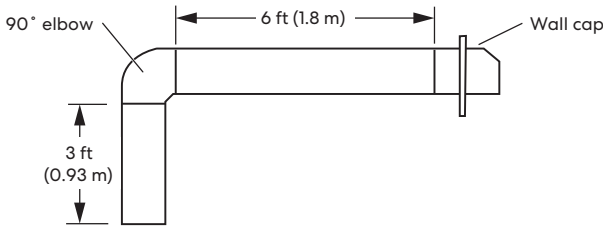
The recommended duct system is 6" (15.2 cm) round duct with a maximum length of 35 ft (10.7 m). For the best performance, use no more than three 90° elbows.

To calculate the length of the system you need, add the equivalent feet (meters) for each duct piece used in the system.

Duct Piece	6" (15.2 cm) Round	
45° elbow	2.5 ft (0.8 m)	
90° elbow	5.0 ft (1.5 m)	

Maximum equivalent duct length is 35 ft (10.7 m).

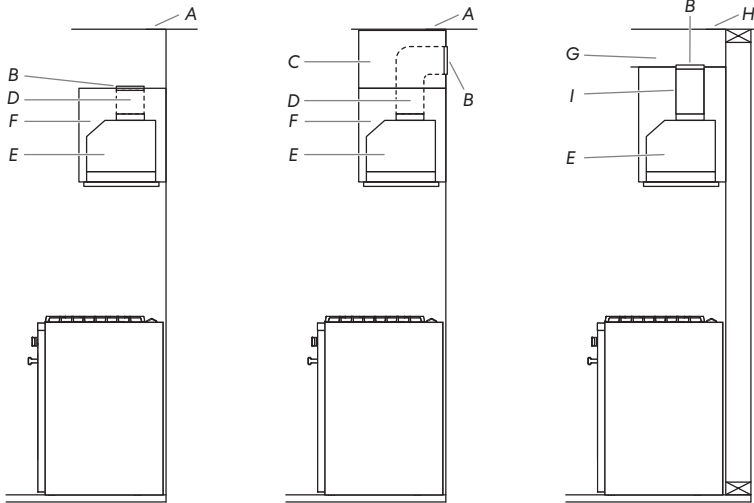
Example Duct System - 6" (15.2 cm)



Maximum length	= 35 ft (10.7 m)
1 - 90° elbow	= 5.0 ft (1.5 m)
1 - wall cap	= 0.0 ft (0.0 m)
6 ft (1.8 m) straight	= 6.0 ft (1.8 m)
3 ft (0.9 m) straight	= 3.0 ft (0.9 m)
System length	= 14.0 ft (4.3 m)

Ductless (Recirculating) Installations Through the Soffit/Cabinet

If it is not possible to vent cooking fumes and vapors to the outside, the range hood can be used in the ductless (recirculating) version, using a charcoal filter. To order, see "Optional Parts" in the "Tools and Parts" section. Damper installation is not required.



A. Ceiling

B. Duct cover

C. Soffit

D. 6" (15.2 cm) duct

E. Range hood

F. Cabinet

G. Top of cabinet

H. Ceiling or soffit

I. Duct system

Electrical Requirements

Observe all governing codes and ordinances.

Ensure that the electrical installation is adequate and in conformance with National Electrical Code, ANSI/NFPA 70 (latest edition), or CSA Standards C22.1-94, Canadian Electrical Code, Part 1 and C22.2 No. 0-M91 (latest edition) and all local codes and ordinances.

If codes permit and a separate ground wire is used, it is recommended that a qualified electrician determine that the ground path is adequate.

A copy of the above code standards can be obtained from:

National Fire Protection Association
1 Batterymarch Park
Quincy, MA 02169-7471

CSA International
8501 East Pleasant Valley Road
Cleveland, OH 44131-5575

- A 120-volt, 60 Hz., AC-only, 2-amp, fused electrical circuit is required.

- If the house has aluminum wiring, follow the procedure below:
 - Connect a section of solid copper wire to the pigtail leads.
 - Connect the aluminum wiring to the added section of copper wire using special connectors and/or tools designed and UL Listed for joining copper to aluminum.
 - Follow the electrical connector manufacturer's recommended procedure. Aluminum/copper connection must conform with local codes and industry accepted wiring practices.

- Wire sizes and connections must conform with the rating of the appliance as specified on the model/serial/rating plate. The model/serial/rating plate is located behind the left filter on the rear wall of the range hood.

- Wire sizes must conform to the requirements of the National Electrical Code, ANSI/NFPA 70 (latest edition), or CSA Standards C22. 1-94, Canadian Electrical Code, Part 1 and C22.2 No. 0-M91 (latest edition) and all local codes and ordinances.

INSTALLATION INSTRUCTIONS

Prepare Location

- It is recommended that the duct system be installed before the range hood is installed.
- Before making cutouts, make sure there is proper clearance within the ceiling or wall for duct fittings.
- Remove installations parts carefully. Wear hand gloves to protect against sharp edges.
- Remove the foams, tapes, and protective films covering the product before putting it into operation.
- Confirm that all installations parts have been removed from the shipping carton and the range hood canopy.



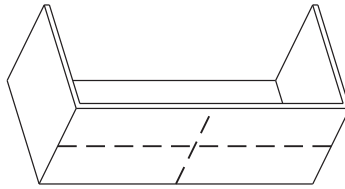
WARNING EXCESSIVE WEIGHT HAZARD

- Use two or more people to move and install range hood.
- Failure to do so can result in back or other injury.

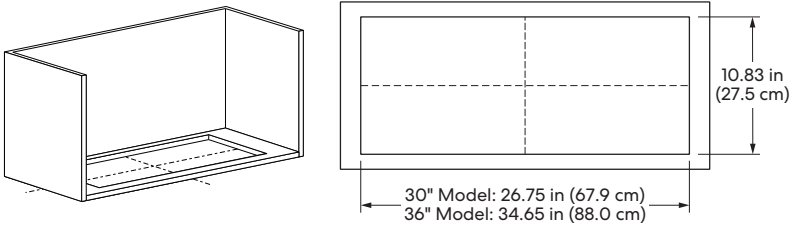
1. Disconnect power.
2. Determine which venting method to use: roof, wall, or ductless.
3. Select a flat surface for assembling the range hood. Place covering over that surface.
4. Using 2 or more people, lift range hood onto covered surface.

Range Hood Cabinet Cutout

1. Determine and clearly mark the centerlines on the underside of the cabinet.



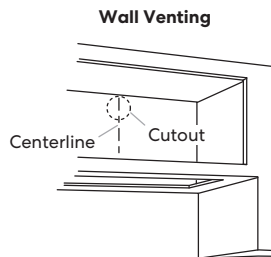
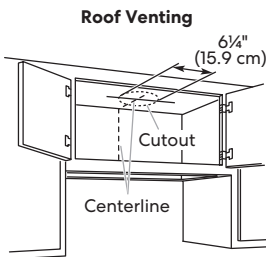
2. Measure and mark lines for the cutout area as shown.



3. Drill a hole at each corner within the cutout area, and use a saber saw or keyhole saw to cut an opening through the underside of the cabinet.
4. Complete cabinet preparation following the instructions for your type of installation.

Venting Outside Through the Roof/Wall

Assemble the duct that you will use over the duct opening. Do not attach the duct at this time. Depending on your duct system, measure and mark the cabinet cutout accordingly. Use a saber saw or keyhole saw to cut a round opening through the top of the cabinet and the roof for the roof vent or the back of the cabinet and the exterior wall for the wall vent.

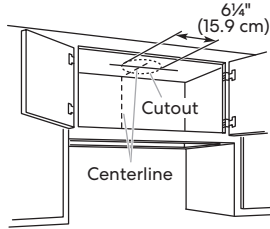


Ductless (Recirculating) Installation Through the Soffit/Cabinet

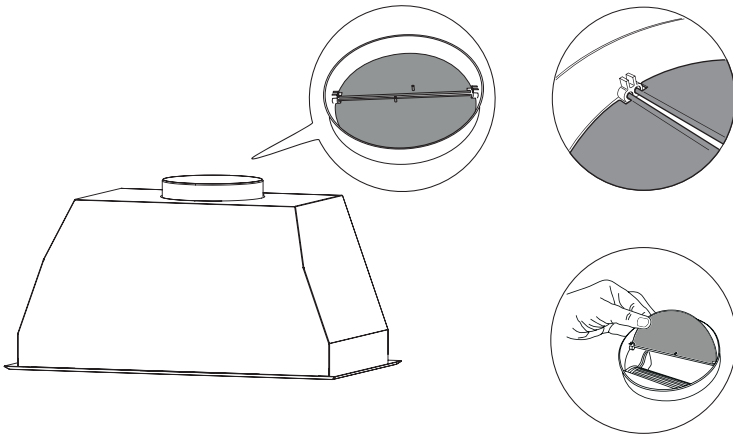
The range hood can be vented inside through the top of the cabinet.

Measure and mark a round duct opening in the cabinet ceiling or in the soffit above the duct opening of the range hood. Use a saber saw or keyhole saw to cut a round opening for the soffit/cabinet vent.

For ductless (recirculating) installations, charcoal filters are necessary. See the "Range Hood Care" section for instructions on installing charcoal filters.



5. Install the duct system according to the method needed. Use caulking to seal any exterior wall or roof opening.
6. Check and verify the round damper is properly installed into the duct opening of the range hood. For ductless (recirculating) installations, damper is not required.

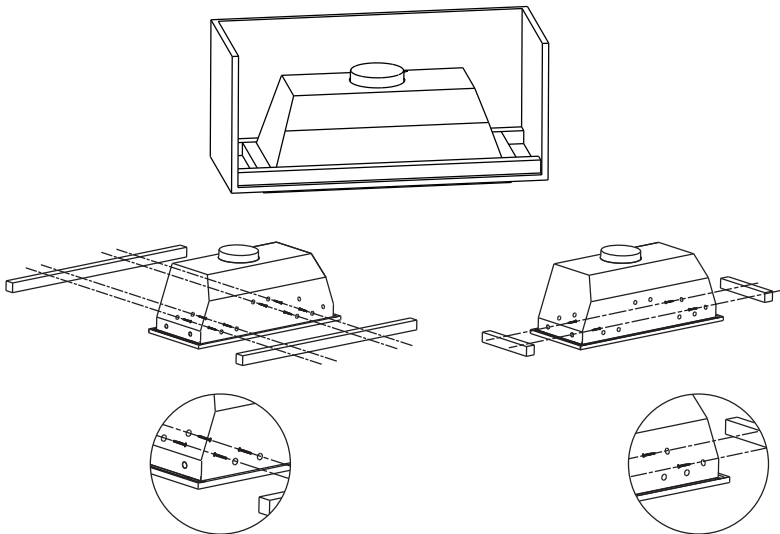


Install Range Hood

⚠ WARNING EXCESSIVE WEIGHT HAZARD

- Use two or more people to move and install range hood.
- Failure to do so can result in back or other injury.

1. Remove the blue/clear protective films and any other remaining packaging materials from the range hood and the metal filters.
2. Using 2 or more people, carefully lift and hold the range hood into the cabinet final position. (The power cord is extended from the top of the range hood.)
3. Install front and rear wood stud supports by securing the provided wood screws (8) from inside of the range hood. If space allows, install left and right wood stud supports with the provided wood screws (4).



Complete Installation



WARNING



ELECTRIC SHOCK HAZARD

- Disconnect power before servicing.
- Replace all parts and panels before operating.
- Plug into a grounded 3-prong outlet.
- Failure to do so can result in death, fire, or electrical shock

Connect the Duct System

Ducted Installations

1. Install the oil tray on the fan motor.
2. Replace the metal filters. See the "Range Hood Care" section.
3. Connect the duct system to the range hood duct opening. Seal the connection with clamps.
4. Reconnect power.
5. Check the operation of the range hood fan and light.

Ductless (Recirculating) Installations

1. Connect the duct system to the range hood duct opening. Seal the connection with clamps.
2. Install charcoal filters. See the "Range Hood Care" section.
3. Install the oil tray on the fan motor.
4. Replace the metal filters. See the "Range Hood Care" section.
5. Reconnect power.
6. Check the operation of the range hood fan and light.

To order replacement kits, see "Optional Parts" in the "Tools and Parts" section.

RANGE HOOD USE

The range hood is designed to remove smoke, cooking vapors and odors from the cooktop area. For best results, start the range hood before cooking and allow it to operate several minutes after the cooking is complete to clear all smoke and odors from the kitchen.

Controls

Push-Button Models

COS-30IRHP / COS-36IRHP



- A. Blower Off button
- B. Blower Speed Minimum button
- C. Blower Speed Medium button
- D. Blower Speed Maximum button
- E. Light On/Off button

Operating the Blower

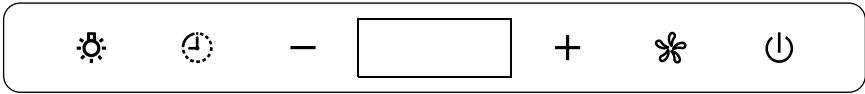
1. To turn the fan on, press the button of the desired fan speed:
 1 (Minimum), **2** (Medium), **3** (Maximum).
2. To turn the fan off, press the **0** button.

Operating the Light

1. To turn the lights on or off, press the Light On/Off button (E) once.

Soft-Touch Models

COS-30IRHS / COS-36IRHS



- | | | | | | |
|---------------------------------|----------|----------|---------------------------------|----------|----------|
| A | B | C | D | E | F |
| A. Light On/Off button | | | D. Blower speed increase button | | |
| B. Timer button | | | E. Blower speed maximum button | | |
| C. Blower speed decrease button | | | F. Blower power On/Off button | | |

Operating the Blower

The Blower Speed buttons (C, D, and E) set the desired speed and control the sound level for quiet operation.

1. To turn the blower on, press the Blower Power On/Off button (F) and use the Blower Speed buttons (C, D, or E) to set the desired speed.
2. To turn the blower off, press the Blower Power On/Off button (F):
 - Once to delay turn off automatically by 1 minute.
 - Twice to turn off immediately.

Operating the Light

1. To turn the lights on or off, press the Light On/Off button (A) once.

Setting the Timer

1. Turn on the blower at desired speed.
2. Press the Timer button (B) repeatedly to set the desired length of operating time in minutes. After the time has completed, the blower will automatically turn off.

Setting the Clock

1. Press and hold the Timer button (B) for 3 seconds.
2. Press or hold the Blower Speed Increase button (D) to set hours, and the Blower Speed Decrease button (C) to set minutes.
3. Press the Timer button (B) to confirm. Wait for 5 seconds for the changes to be saved.

RANGE HOOD CARE

Cleaning

IMPORTANT:

- Clean the range hood and grease filter frequently according to the following instructions. Replace grease filter before operating range hood.
- Be sure the power is off/disconnected and the lights are cool before cleaning the range hood.

Exterior Surfaces

Clean the range hood with a mild detergent and soft cloth. To avoid damage to the exterior surface, do not use abrasive cleansers or steel-wool pads

Metal Grease Filter

The metal filter should be washed frequently. Place metal filter in dishwasher or hot detergent solution to clean. Let metal filter dry thoroughly before replacing it.

1. Turn off fan and lights. Check that the LED lights are cool.
2. Remove the metal filter by pushing the release knob and then pulling down the metal filter.
3. Wash the metal filter as needed in the dishwasher or hot detergent solution.
4. Reinstall the metal filter by pushing the release knob, pushing up the metal filter back into the range hood, and releasing the knob to latch into place.

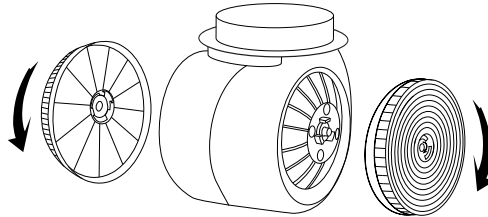
Replacing the Charcoal Filter

For Ductless (Recirculating) Installations

After approximately 6 months of normal use the charcoal filter should be replaced. To order replacement charcoal filter kit, see "Optional Parts" in the "Tools and Parts" section.

To Install Charcoal Filter

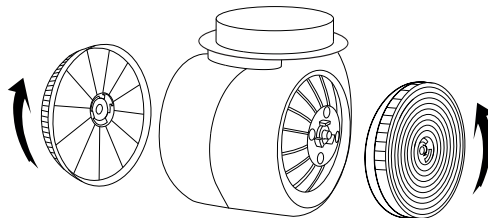
1. Turn off fan and lights. Check that the LED lights are cool.
2. Remove the metal filters. See the "Metal Grease Filter" section.
3. Fit and turn clockwise the charcoal filter on both sides of the fan motor. Be sure the charcoal filters are securely locked in place.



4. Reinstall the metal filters into the range hood.

To Replace Charcoal Filter

1. Turn fan and lights off. Check that the LED lights are cool.
2. Remove the metal filters. See the "Metal Grease Filter" section.
3. Turn counter-clockwise and remove the charcoal filters, and discard them.

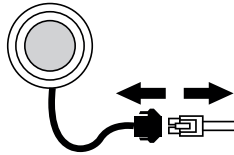


4. Install the replacement charcoal filters. See the "To Install Charcoal Filter" section.
5. Reinstall the metal filters into the range hood.

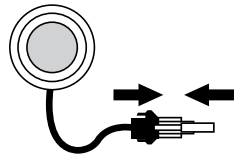
Replacing the LED Light

Turn off the range hood and allow the LED Lights to cool. Replace the LED lights using tissue or wearing cotton gloves to handle them.

1. Disconnect power.
2. Remove the metal filters. See "Metal Grease Filter" in the "RANGE HOOD CARE" section.
3. Disconnect the LED light cable from the range hood.



4. Use a flat-blade screwdriver to gently pry and remove the LED light.
5. Install a replacement LED light. Be sure to properly align the LED light with the opening and the LED light is securely locked into place.
6. Connect the LED light cable to the range hood.



7. Reinstall the metal filters into the range hood.
8. Reconnect power.

LIMITED WARRANTY

WARRANTY AND SERVICE

TO RECEIVE WARRANTY SERVICE, YOUR PRODUCT MUST BE REGISTERED.
TO REGISTER AND REVIEW FULL WARRANTY DETAILS, VISIT:

WWW.COSMOAPPLIANCES.COM/WARRANTY

SCAN TO REGISTER



CUSTOMER SUPPORT

TO CHAT WITH US LIVE FOR ASSISTANCE, VISIT:

WWW.COSMOAPPLIANCES.COM/CHAT

SCAN TO CHAT



IMPORTANT

Do Not Return This Product To The Store

If you have a problem with this product, please contact COSMO Customer Support at

+1 (888) 784-3108

DATED PROOF OF PURCHASE, MODEL #, AND SERIAL # REQUIRED FOR WARRANTY SERVICE.

IMPORTANT

Ne pas Réexpédier ce Produit au Magasin

Pour tout problème concernant ce produit, veuillez contacter le service des consommateurs Cosmo Customer Support au

+1 (888) 784-3108

UNE PREUVE D'ACHAT DATEE EST REQUISE POUR BENEFICIER DE LA GARANTIE.

IMPORTANTE

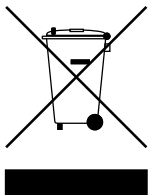
No regrese este producto a la tienda

Si tiene algún problema con este producto, por favor contacte el ayuda al cliente COSMO al

+1 (888) 784-3108

(Válido solo en E.U.A.)

NECESITA UNA PRUEBA DE DE COMPRA FECHADA, NÚMERO DE MODELO Y DE SERIE PARA EL SERVICIO DE LA GARANTÍA.



Correct disposal of this product:

This marking indicates that this appliance should not be disposed with other household wastes. To prevent possible harm to the environment or human health from uncontrolled waste disposal, recycle it responsibly to promote the sustainable reuse of material resources.

MEMO



Cosmo is constantly making efforts to improve the quality and performance of our products, so we may make changes to our appliances without updating this manual.

Electronic version of this manual is available at:
www.cosmoappliances.com