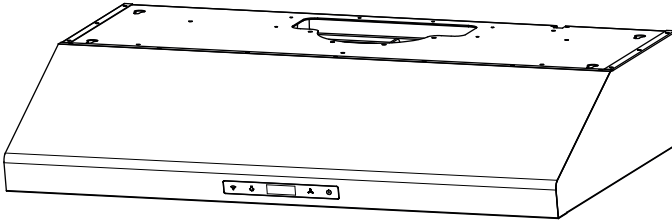




INSERT RANGE HOOD

COS-KS6U30(-BK)

COS-KS6U36(-BK)



KS RANGE HOOD SERIES

INSTALLATION INSTRUCTIONS AND USE & CARE GUIDE

IMPORTANT: READ AND SAVE THESE INSTRUCTIONS.
FOR RESIDENTIAL USE ONLY.

INSTALLER: PLEASE LEAVE THESE INSTRUCTIONS WITH THIS UNIT FOR
THE OWNER.

OWNER: PLEASE RETAIN THESE INSTRUCTIONS FOR FUTURE
REFERENCE.

Rev.24.04

THANK YOU FOR YOUR PURCHASE

Thank you for your purchase. We know that you have many brands and products to choose from and we are honored to know that you have decided to take one of our products into your home and hope that you enjoy it.

COSMO Appliances are designed according to the strictest safety and performance standard for the North American market. We follow the most advanced manufacturing philosophy. Each appliance leaves the factory after thorough quality inspection and testing. Our distributors and our service partners are ready to answer any questions you may have regarding how to install, use and care for your products. We hope that this manual will help you learn to use the product in the safest and most effective manner.

Before using this product, please read through this manual carefully. Keep this user manual in a safe place for future reference. Please ensure that other persons using this product are familiar with these instructions as well.

If you have any questions or concerns, please contact the dealer from whom you purchased the product, or contact our Customer Support at:

1-888-784-3108

Reach us online at:

www.cosmoappliances.com

TABLE OF CONTENTS

RANGE HOOD SAFETY	4
Important Safety Instructions	5
INSTALLATION REQUIREMENTS	7
Tools and Parts	7
Location Requirements	9
Product Dimensions	10
Cabinet Clearances	12
Venting Requirements.....	13
Electrical Requirements.....	17
INSTALLATION INSTRUCTIONS	18
Unpack Range	19
Prepare Location	20
Install Range Hood	25
Complete Installation.....	30
RANGE HOOD USE	31
Controls.....	31
RANGE HOOD CARE	33
Cleaning.....	33
Replacing the LED Light	34
LIMITED WARRANTY	35

RANGE HOOD SAFETY

READ ALL INSTRUCTIONS BEFORE USING THE APPLIANCE

Your safety and the safety of others are very important.

We have provided many important safety messages in this manual and on your appliance. Always read and obey all safety messages.



This is the safety alert symbol.

This symbol alerts you to potential hazards that can kill or hurt you and others.

All safety messages will follow the safety alert symbol and either the word "WARNING" or "CAUTION." These words mean:



You can be killed or seriously injured if you don't follow instructions.



A potentially hazardous situation which, if not avoided, could result in minor or moderate injury.

All safety messages will tell you what the potential hazard is, tell you how to reduce the chance of injury, and tell you what can happen if the instructions are not followed.

California Proposition 65 Warning



Cancer and Reproductive Harm - www.P65Warnings.ca.gov.

WARNING: This appliance is intended for normal indoor residential use. It is not approved for commercial use, outdoor installation, installation over an outdoor BBQ grill, or any other application not specifically allowed by this manual. Damage from improper installation or use of this appliance is not covered by the product warranty.

IMPORTANT SAFETY INSTRUCTIONS

WARNING: TO REDUCE THE RISK OF FIRE, ELECTRIC SHOCK, OR INJURY TO PERSONS, OBSERVE THE FOLLOWING:

- Use this unit only in the manner intended by the manufacturer. If you have questions, contact the manufacturer.
- Before servicing or cleaning the unit, switch the power off at the service panel and lock the service panel to prevent power from being switched on accidentally. When the service disconnecting means cannot be locked, securely fasten a prominent warning device, such as a tag to the service panel.
- Installation work and electrical wiring must be done by qualified person(s) in accordance with all applicable codes and standards, including fire-rated construction.
- Do not operate any fan with a damaged cord or plug. Discard fan or return to an authorized service facility for examination and/or repair.
- Ducted fans must always be vented to the outdoors.
 - **CAUTION:** For general ventilating use only. Do not use to exhaust hazardous or explosive materials and vapors.

- **CAUTION:** To reduce the risk of fire and to properly exhaust air, be sure to duct air outside - do not vent exhaust air into spaces within walls or ceilings, or into attics, crawl spaces or garages.

- Sufficient air is needed for proper combustion and exhausting of gases through the flue (chimney) of fuel burning equipment to prevent backdrafting. Follow the heating equipment manufacturer's guideline and safety standards such as those published by the National Fire Protection Association (NFPA), the American Society for Heating, Refrigeration and Air Conditioning Engineers (ASHRAE), and the local code authorities.
- When cutting or drilling into the wall or ceiling; do not damage electrical wiring and other hidden utilities.

WARNING: TO REDUCE THE RISK OF A RANGE TOP GREASE FIRE:

- Never leave surface units unattended at high settings. Boilovers cause smoking and greasy spillovers that may ignite. Heat oils slowly on low or medium settings.

READ AND SAVE THESE INSTRUCTIONS

IMPORTANT SAFETY INSTRUCTIONS

- Always turn the hood ON when cooking at high heat or when flambéing food (i.e. Crepes Suzette, Cherries Jubilee, Peppercorn Beef Flambé).
- Clean ventilating fans frequently. Grease should not be allowed to accumulate on the fan or filter.
- Use proper pan sizes. Always use cookware appropriate for the size of the surface element.

WARNING: TO REDUCE THE RISK OF INJURY TO PERSONS IN THE EVENT OF A RANGE TOP GREASE FIRE, OBSERVE THE FOLLOWING:*

- SMOTHER FLAMES with a close fitting lid, cookie sheet, or metal tray, then turn off the burner. BE CAREFUL TO PREVENT BURNS. If the flames do not go out immediately, EVACUATE AND CALL THE FIRE DEPARTMENT.
- NEVER PICK UP A FLAMING PAN - you may be burned.
- DO NOT USE WATER, including wet dishcloths or towels - a violent steam explosion will result.
- Use an extinguisher ONLY if:
 - You know you have a class ABC extinguisher, and you already know how to operate it.

- The fire is small and contained in the area where it started.
- The fire department is being called.
- You can fight the fire with your back to an exit.

* Based on "Kitchen Fire Safety Tips" published by NFPA.

WARNING: TO REDUCE THE RISK OF FIRE, USE ONLY METAL DUCTWORK.

WARNING: To reduce the risk of fire or electrical shock, do not use this fan with any solid-state speed control device.

WARNING: Do not let children near this appliance. Do not let children play with this appliance. Keep all packaging materials out of children's reach. Properly dispose the packaging materials after this appliance is unpacked.

- The manufacturer declines all responsibility in the event of failure to observe the instructions given here for installation, maintenance, and suitable use of the product.
- The manufacturer further declines all responsibility for injury due to negligence and the warranty of the unit automatically expires due to improper maintenance.

READ AND SAVE THESE INSTRUCTIONS

INSTALLATION REQUIREMENTS

Tools and Parts

Gather the required tools and parts before starting installation. Read and follow the instructions provided with any tools listed here.

Tools Needed

- Level
- Drill
- 3/32" (2.5 mm) drill bit for pilot holes
- Pencil
- Tape measure or ruler
- Phillips screwdriver
- Jigsaw or keyhole saw
- Hand gloves

Parts Needed

- Duct system
- Duct clamps or HVAC foil tape
- Caulking gun and weatherproof caulking compound

Parts Supplied

- Range hood (main core) with blower and LED lights installed
- Metal filters (3)
- L-shape wall mounting brackets (2)
- Top round vent transition damper
- Top rectangular vent transition damper
- Top vent cover – for rear venting installations
- Rear rectangular vent transition damper
- 6" round aluminum duct
- Remote control
- M6 expansion mounting screws – for concrete wall (4)
- 4 x 40 mm mounting screws – for drywall (4)
- 4 x 16 mm mounting screws – for cabinet (4)
- M8 wall anchors (4)
- M4 washers (4)
- 4 x 8 mm screws – for vent transition dampers (16)
- 4 x 12 mm screws – for L-shape mounting brackets (4)

Location Requirements

IMPORTANT:

- Observe all governing codes and ordinances.

Have a qualified technician install the range hood. It is the installer's responsibility to comply with installation clearances specified on the model/serial/rating plate. The model/serial/rating plate is located inside the range hood on the housing of the blower motor assembly.

Range hood location should be away from strong draft areas, such as windows, doors, and strong heating vents.

Cabinet opening dimensions that are shown must be used. Given dimensions provide minimum clearance. Consult the cooktop/range manufacturer installation instructions before making any cutouts.

Grounded electrical outlet is required. See the "Electrical Requirements" section.

The range hood is supplied with venting adapters for top vented or rear vented installations.

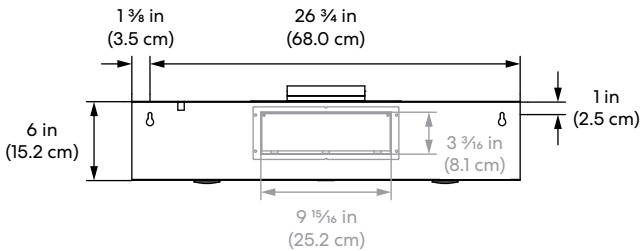
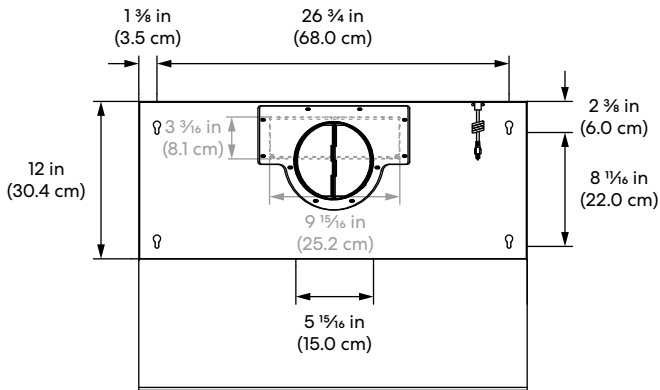
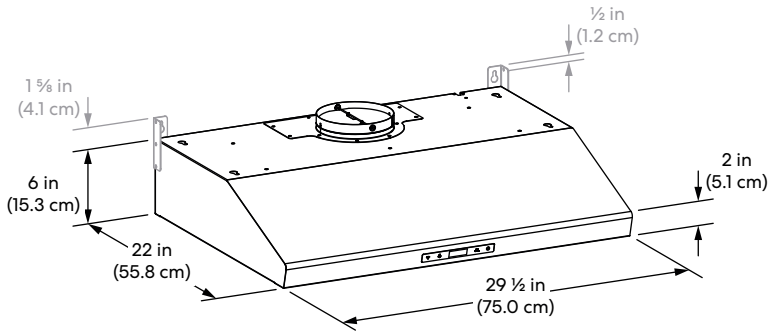
All openings in ceiling and wall where range hood will be installed must be sealed.

For Mobile Home Installations:

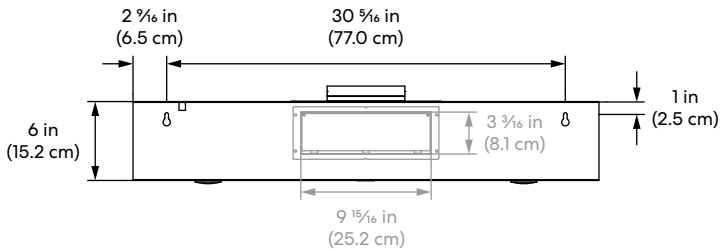
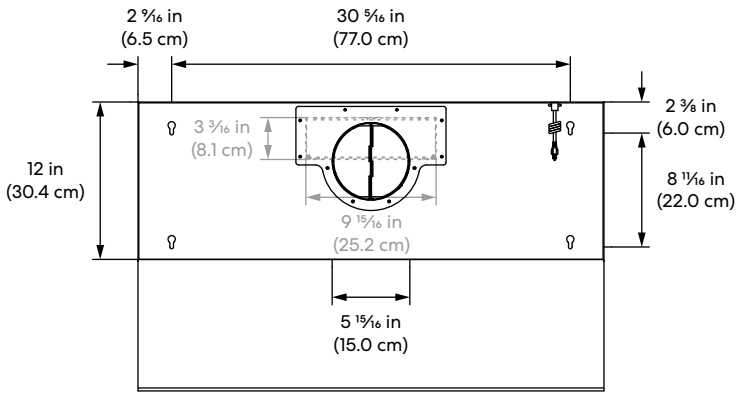
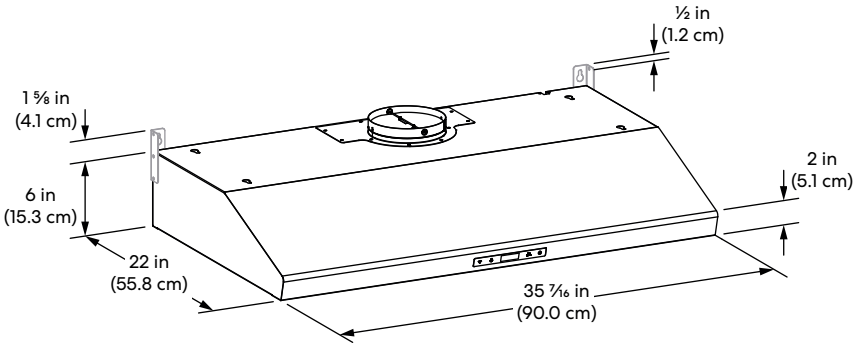
The installation of this range hood must conform to the Manufactured Home Construction Safety Standards, Title 24 CFR, Part 328 (formerly the Federal Standard for Mobile Home Construction and Safety, Title 24, HUD, Part 280) or when such standard is not applicable, the standard for Manufactured Home Installation 1982 (Manufactured Home Sites, Communities and Setups) ANSI A225.1/NFPA 501A or latest edition, or with local codes.

Product Dimensions

30" Model: COS-KS6U30(-BK)



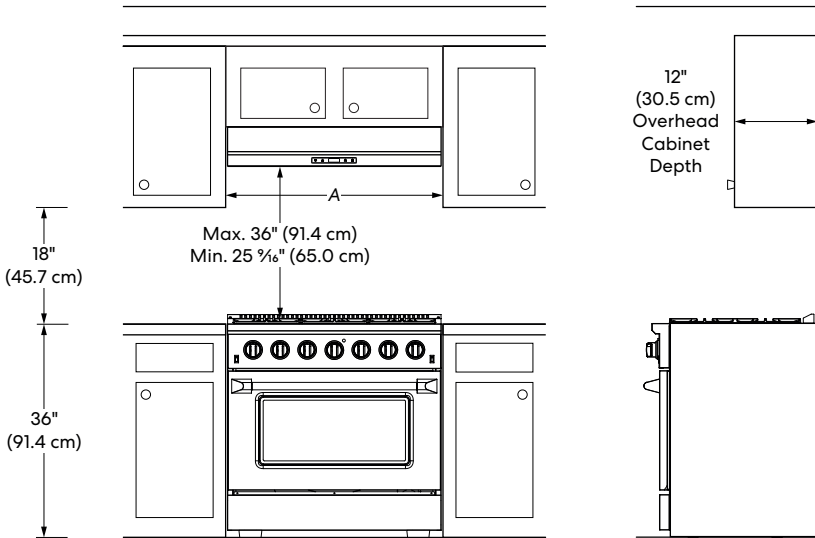
36" Model: COS-KS6U36(-BK)



Cabinet Clearances

Given dimensions are minimum clearances.

Under Cabinet Range Hood



Model	A
30" Model: COS-KS6U30(-BK)	29 1/2" (75.0 cm)
36" Model: COS-KS6U36(-BK)	35 7/16" (90.0 cm)

IMPORTANT:

- 25 5/16" (65.0 cm) minimum and 36" (91.4 cm) suggested maximum clearances between cooking surface and bottom of the range hood.
- For ducted wall venting installations using a 90° elbow, 12" (30.5 cm) minimum overhead cabinet clearance below the wall venting opening is required.

Venting Requirements

(Ducted installations only)

- Duct system must terminate to the outdoors
- Do not terminate the duct system in an attic or other enclosed area.
- Do not use 4" (10.2 cm) laundry-type wall cap.
- Use a 6" (15.2 cm) round metal duct or a 3 ¼" x 10" (8.3 x 25.4 cm) rectangular metal duct. Rigid metal duct is recommended. Plastic or metal foil duct is not recommended.
- The length of duct system and number of elbows should be kept to a minimum to provide efficient performance.

For the most efficient and quiet operation:

- Use rigid metal duct.
- Use no more than three 90° elbows.
- Make sure there is a minimum of 24" (61.0 cm) of straight duct between the elbows if more than 1 elbow is used.
- Do not install 2 elbows together.
- Use clamps to seal all joints in the duct system.
- The duct system must have a damper. If the roof or wall cap has a damper, do not use the damper supplied with the range hood.
- Use caulking to seal exterior wall or roof opening around the cap.
- The size of the duct should be uniform.

Cold Weather Installations:

An additional backdraft damper should be installed to minimize backward cold air flow and a thermal break should be installed to minimize conduction of outside temperatures as part of the duct system. The damper should be on the cold air side of the thermal break.

The break should be as close as possible to where the duct system enters the heated portion of the house.

Makeup Air:

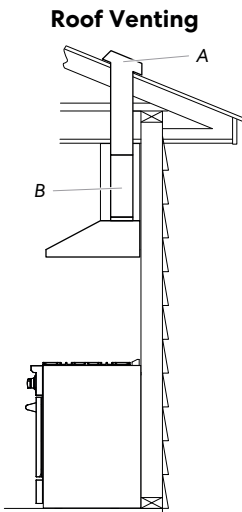
Local building codes may require the use of makeup air systems when using ventilation systems greater than specified CFM of air movement. The specified CFM varies from locale to locale. Consult your HVAC professional for specific requirements in your area.

Venting Methods

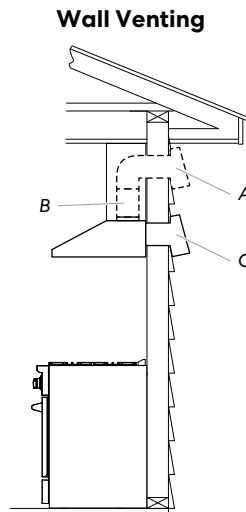
- This range hood can be set for top venting or rear venting. A 6" (15.2 cm) round or a 3 ¼" x 10" (8.3 cm x 25.4 cm) rectangular duct system is recommended. The duct system needed for installation is not included.
- The duct system for venting out of the top of range hood can be terminated either through the roof or wall. A round transition damper suitable for 6" (15.2 cm) round duct and a rectangular transition damper suitable for 3 ¼" x 10" (8.3 cm x 25.4 cm) rectangular duct are provided.
- The duct system for venting out the rear of the range hood must be terminated through the wall. A rectangular transition damper suitable for 3 ¼" x 10" (8.3 cm x 25.4 cm) rectangular duct is provided.

NOTE:

- Flexible vent is not recommended. Flexible vent creates back pressure and air turbulence that gently reduces performance.
- If exhaust ducting is less than 5 15/16" (15.0 cm) in diameter or if flat ducting is used, the noise level of the range hood may increase and the exhaustion may be less efficient.



- A.** Roof cap
- B.** Round/Rectangular duct through roof


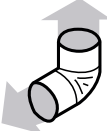



- A.** Wall cap
- B.** Round/Rectangular duct through wall
- C.** Rectangular duct through wall

Calculating Duct System Length

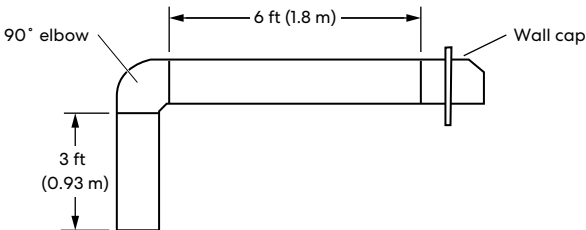
To calculate the length of the system you need, add the equivalent feet (meters) for each duct piece used in the system. Use no more than three 90° elbows.

6" (15.2 cm) Round Duct System

Duct Piece	6" (15.2 cm) Round	
45° elbow	2.5 ft (0.8 m)	
90° elbow	5.0 ft (1.5 m)	
6" (15.2 cm) wall cap	0.0 ft (0.0 m)	

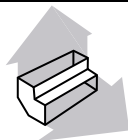
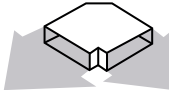

Maximum recommended duct length is 35 ft (10.7 m).

Example Round Duct System



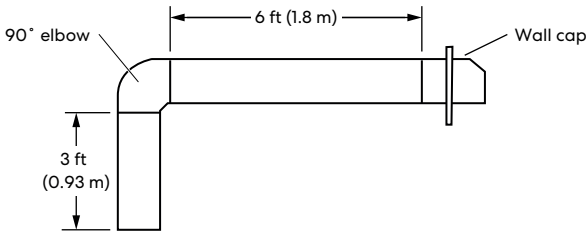
Maximum length	= 35 ft (10.7 m)
3 ft (0.9 m) straight	= 3.0 ft (0.9 m)
1 - 90° elbow	= 5.0 ft (1.5 m)
6 ft (1.8 m) straight	= 6.0 ft (1.8 m)
1 - wall cap	= 0.0 ft (0.0 m)
System length	= 14.0 ft (4.3 m)

3 ¼" x 10" (8.3 cm x 25.4 cm) Rectangular Duct System

Duct Piece	3 ¼" x 10" (8.3 cm x 25.4 cm) Rectangular	
90° elbow	5.0 ft (1.5 m)	
Flat elbow	12.0 ft (3.7 m)	
6" (15.2 cm) wall cap	0.0 ft (0.0 m)	

Maximum recommended duct length is 35 ft (10.7 m).

Example Rectangular Duct System



Maximum length	= 35 ft (10.7 m)
3 ft (0.9 m) straight	= 3.0 ft (0.9 m)
1 - 90° elbow	= 5.0 ft (1.5 m)
6 ft (1.8 m) straight	= 6.0 ft (1.8 m)
1 - wall cap	= 0.0 ft (0.0 m)
System length	= 14.0 ft (4.3 m)

Electrical Requirements

Observe all governing codes and ordinances.

Ensure that the electrical installation is adequate and in conformance with National Electrical Code, ANSI/NFPA 70 (latest edition), or CSA Standards C22.1-94, Canadian Electrical Code, Part 1 and C22.2 No. 0-M91 (latest edition) and all local codes and ordinances.

If codes permit and a separate ground wire is used, it is recommended that a qualified electrician determine that the ground path is adequate.

A copy of the above code standards can be obtained from:

National Fire Protection Association
1 Batterymarch Park
Quincy, MA 02169-7471

CSA International
8501 East Pleasant Valley Road
Cleveland, OH 44131-5575

- A 120-volt, 60 Hz., AC-only, 2-amp, fused electrical circuit is required.
- If the house has aluminum wiring, follow the procedure below:
 - Connect a section of solid copper wire to the pigtail leads.
 - Connect the aluminum wiring to the added section of copper wire using special connectors and/or tools designed and UL Listed for joining copper to aluminum.

Follow the electrical connector manufacturer's recommended procedure. Aluminum/copper connection must conform with local codes and industry accepted wiring practices.

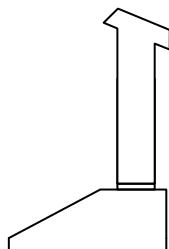
- Wire sizes and connections must conform with the rating of the appliance as specified on the model/serial/rating plate. The model/serial/rating plate is located behind the middle metal filter on the blower housing of the range hood.
- Wire sizes must conform to the requirements of the National Electrical Code, ANSI/NFPA 70 (latest edition), or CSA Standards C22.1-94, Canadian Electrical Code, Part 1 and C22.2 No. 0-M91 (latest edition) and all local codes and ordinances.

INSTALLATION INSTRUCTIONS

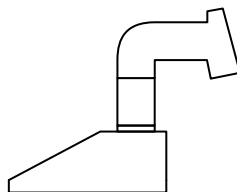
IMPORTANT: This appliance shall be installed only by authorized persons and in accordance with the manufacturer's installation instructions.

This range hood is designed for adaptation to the following types of

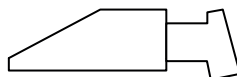
- **Top Venting**
(Roof Venting)



- **Top Venting**
(Wall Venting)



- **Rear Venting**
(Wall Venting)



Please follow the instructions provided for your type of ventilation.

Unpack Range Hood

- Remove installations parts carefully. Wear hand gloves to protect against sharp edges.
- Confirm that all installations parts have been removed from the shipping carton and the range hood canopy.



WARNING

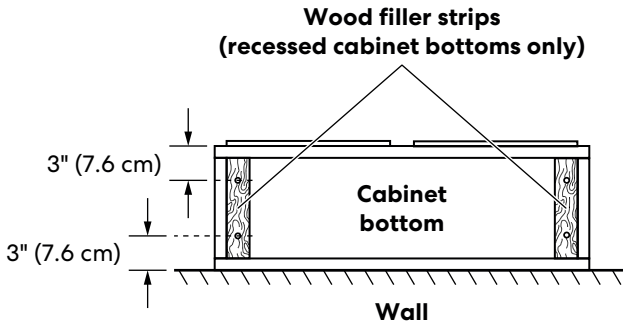
EXCESSIVE WEIGHT HAZARD

- Use two or more people to move and install range hood.
- Failure to do so can result in back or other injury.

1. Remove all the parts stored in the carton.
2. Remove the foams, tapes, and protective films covering the parts.
3. Select a flat surface for assembling the range hood. Place covering over that surface.
4. Using 2 or more people, lift range hood onto covered surface.

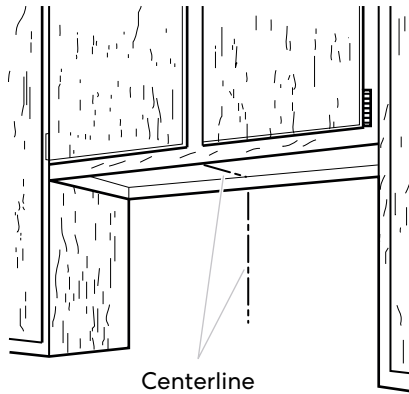
Prepare Location

- It is recommended that the duct system be installed before the range hood is installed. The duct system needed for installation is not included.
 - Before making cutouts, make sure there is proper clearance within the ceiling or wall for duct fittings.
1. Disconnect power.
 2. Determine which venting method to use: top or rear.
 3. If cabinet has recessed bottom, add wood filler strips on each side. Install screws to attached filler strips in locations shown.

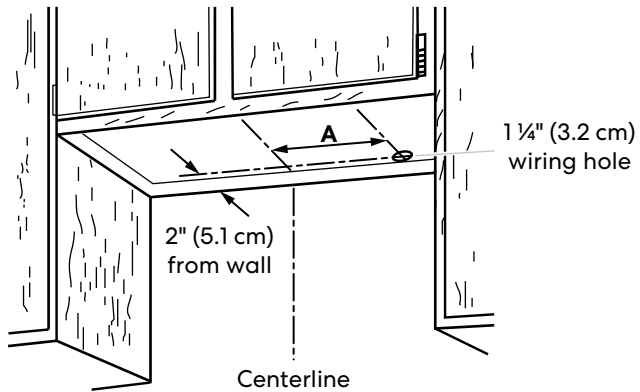


Prepare Wiring Hole

1. Determine and clearly mark a vertical centerline on the wall and cabinet in the area the vent opening will be made.



2. Mark a line distance "A" from the right of the centerline on the underside of the cabinet. Mark the point on this line that is 2" (5.1 cm) from back wall. Drill a 1 1/4" (3.2 cm) diameter hole through the cabinet at this point.

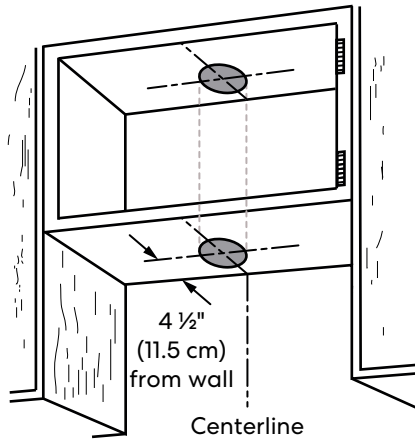


Model	A
30" Model: COS-KS6U30(-BK)	11" (28.0 cm)
36" Model: COS-KS6U36(-BK)	11" (28.0 cm)

Prepare Venting Cutout

Roof Venting

Style 1 – Cut Openings for 6" (15.2 cm) Round Vent System



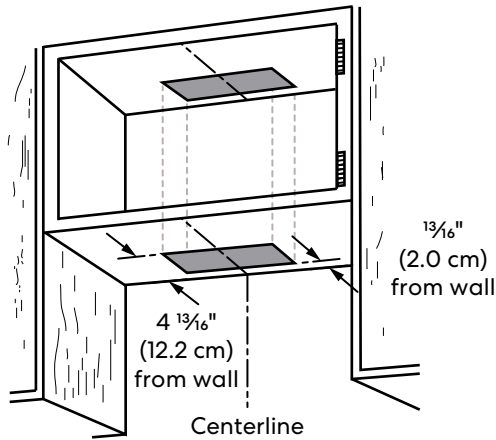
To make a 6 ¼" (15.9 cm) circular vent opening on the underside of the cabinet bottom:

1. Mark a line 4 ½" (11.5 cm) from the back wall on the centerline of the underside of cabinet.
2. Use a compass or a circle template to draw a 6 ¼" (15.9 cm) circle.
3. Use saber or keyhole saw to cut the circular opening for vent.

To make a 6 ¼" (15.9 cm) circular vent opening on the underside of the cabinet top:

1. Mark a centerline on the underside of the top of cabinet.
2. Using the distance from rear cabinet frame to the circular vent opening on cabinet bottom as reference, draw a 6 ¼" (15.9 cm) circle on the underside of the top of cabinet directly above the circular vent opening on cabinet bottom .
3. Use saber or keyhole saw to cut the circular vent opening.

Style 2 – Cut Openings for 3 ¼" x 10" (8.3 cm x 25.4 cm) Rectangular Vent System



To make a 4" x 10 ½" (10.2 cm x 26.7 cm) rectangular vent opening on the underside of cabinet bottom:

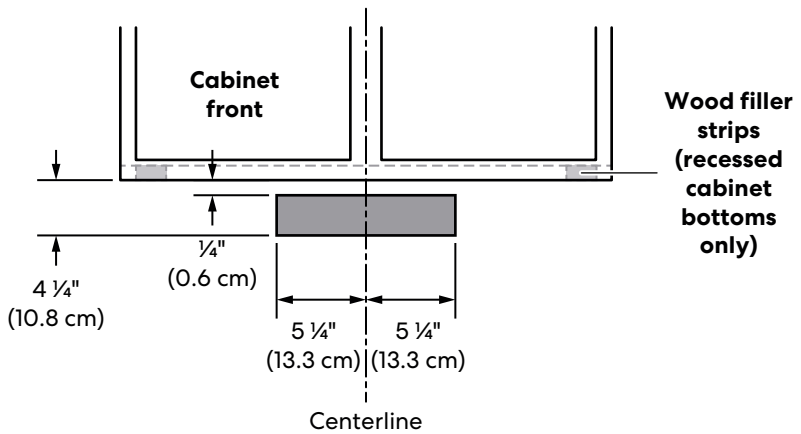
1. Mark 2 lines 13/16" (2.0 cm) and 4 13/16" (12.2 cm) from the back wall on the centerline of the underside of cabinet.
2. Mark lines 5 ¼" (13.3 cm) to the left and right of the centerline on the underside of cabinet.
3. Use saber or keyhole saw to cut a rectangular opening for vent.

To make a 4" x 10 ½" (10.2 cm x 26.7 cm) rectangular vent opening on the underside of the cabinet top:

1. Mark a centerline on the underside of the top of cabinet.
2. Using the distance from rear cabinet frame to the rectangular vent opening on cabinet bottom as reference, draw a 4" x 10 ½" (10.2 cm x 26.7 cm) rectangle on the underside of the top of cabinet directly above the rectangular vent opening on cabinet bottom .
3. Use saber or keyhole saw to cut the rectangular vent opening.

Wall Venting

Style 3 – Cut Openings for 3 ¼" x 10" (8.3 cm x 25.4 cm) Rectangular Vent System



To make a 4" x 10½" (10.2 cm x 26.7 cm) rectangle vent opening in the wall:

1. Mark 2 lines by measuring ¼" (0.6 cm) and 4 ¼" (10.8 cm) down from underside of cabinet and mark on the centerline on the back wall.
2. Mark lines 5 ¼" (13.3 cm) to the left and right of the centerline on the wall.
3. Use saber or keyhole saw to cut the circular vent opening.

Install Vent System

1. Install vent through the vent opening in cabinet or wall. Complete venting system according to the selected venting method. See "Venting Requirements" section.
2. Use caulking to seal exterior wall or roof opening around the cap.

Install Range Hood



WARNING

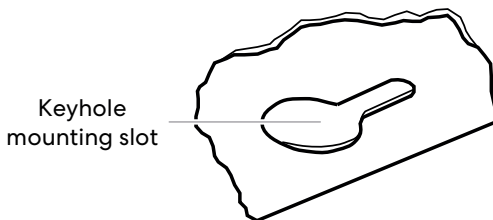
EXCESSIVE WEIGHT HAZARD

- Use two or more people to move and install range hood.
- Failure to do so can result in back or other injury.

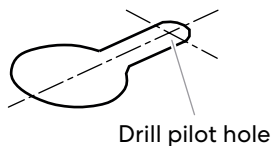
1. Remove the metal filters. See the "Range Hood Care" section.
2. Remove any foam shipping pad from behind the blower motor if exists.
3. Lift the range hood up under cabinet and determine final location by centering beneath cabinet.
4. **For cabinet mounting only:** Mark on the underside of cabinet the location of the 4 keyhole mounting slots on the top of range hood. Set range hood aside on a covered surface.

For wall mounting only: Mark on the wall the location of the 2 keyhole mounting slots on the rear of range hood. Set range hood aside on a covered surface.

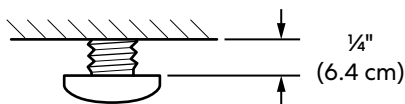
(Optional) Depending on cabinet configuration, the 2 L-shape wall mounting brackets may be used instead. Attach brackets to range hood with the 4 - 4 x 12 mm screws provided, and mark on the wall the location of the 2 keyhole mounting slots on brackets.



5. Use $\frac{3}{32}$ " (2.5 mm) drill bit to drill pilot holes on cabinet bottom or wood stud as shown. For keyhole mounting slots on wall without stud, use appropriate drill bit to drill pilot holes as shown and install the wall anchors for drywall or the M6 mounting screws for concrete wall.



6. With the washers provided, install the 4 - 4.5 x 16 mm mounting screws in pilot holes on cabinet bottom or the 2 - 4 x 40 mm mounting screws in pilot holes on wall. Leave about $\frac{1}{4}$ " (6.4 mm) space between screw heads and cabinet to slide range hood into place.



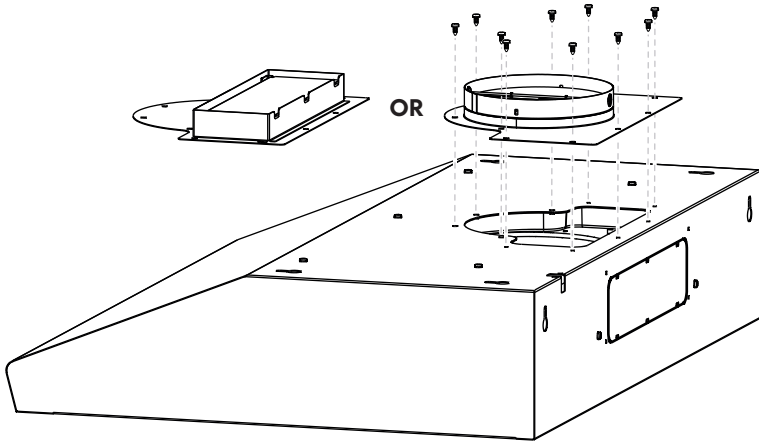
Vent Transition Damper Installation

Determine whether the range hood will be installed using either a top or rear vent connection.

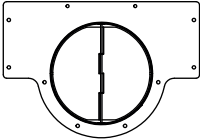
NOTE:

- If the wall cap is directly behind the vent connector, the dampers in the connector and wall cap must not interfere. Remove the vent connector damper if they interfere.

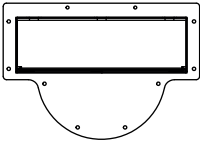
Top Vent Transition Damper Installation



1. Attach the top vent transition damper using the 4 x 8 mm screws supplied.



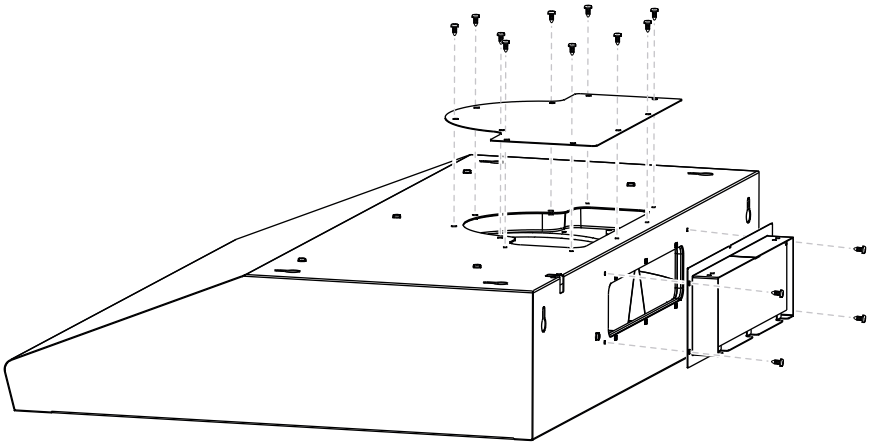
Round vent transition damper for 6" (15.2 cm) round duct system.



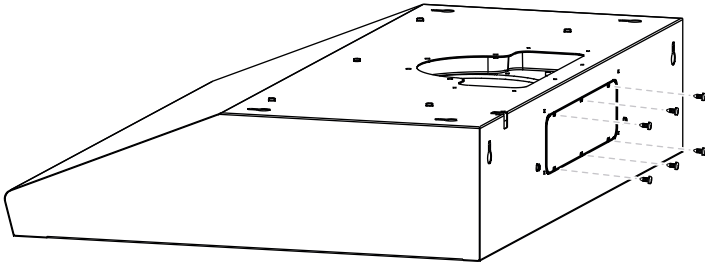
Rectangular vent transition damper for 3 1/4" x 10" (8.3 cm x 25.4 cm) rectangular duct system.

2. Remove any tape from damper flap if present.

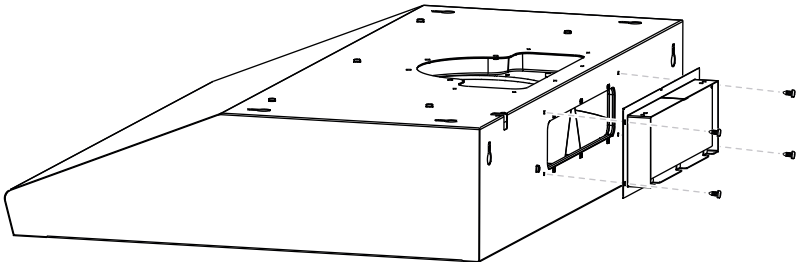
Rear Vent Transition Damper Installation



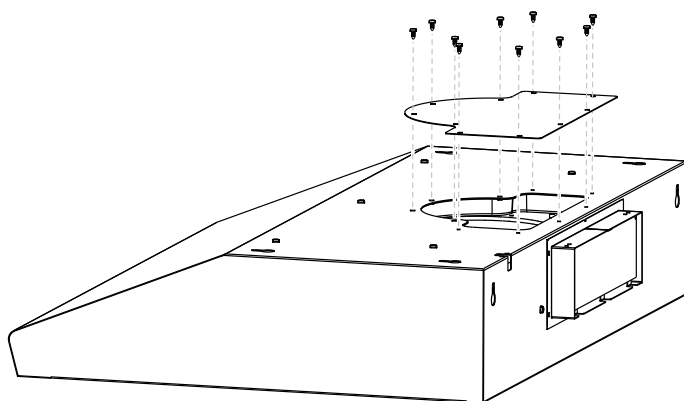
1. Remove the screws around the rear vent knockout, and remove the knockout.



2. Attach the rear rectangular vent transition damper using the 4 x 8 mm screws supplied.



3. Attach the top vent cover using the 4 x 8 mm screws provided.



4. Remove any tape from damper flap if present.

Install Range Hood to Cabinet/Wall

1. Using 2 people, lift range hood into final location. Feed power cord through the wiring hole in the cabinet bottom.
2. Position the range hood so that the large end of the keyhole slots are over the mounting screws.
3. **For cabinet mounting only:** Push the range hood toward the wall so that the screws are in the neck of the slots. The range hood should be against the wall.

For wall mounting only: Push the range hood toward the wall and slightly slide the range hood down so that the screws are in the neck of the slots.

4. Tighten the mounting screws, making sure mounting screws are in the narrow neck of the slots.
5. Check that damper, if used, rotates up and down freely.

Complete Installation

WARNING



ELECTRIC SHOCK HAZARD

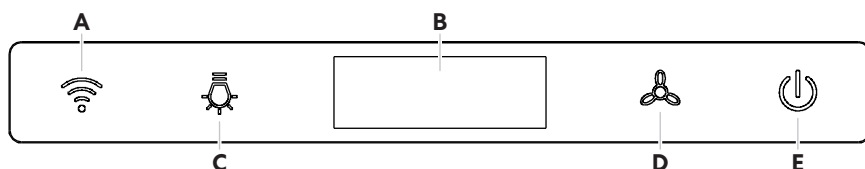
- Disconnect power before servicing.
 - Replace all parts and panels before operating.
 - Plug into a grounded 3-prong outlet.
 - Failure to do so can result in death, fire, or electrical shock
1. Connect duct system to hood. Seal joints with clamps to make secure and airtight.
 2. Replace the metal filters. See the "Range Hood Care" section.
 3. Reconnect power.
 4. Check the operation of the range hood fan and light.

RANGE HOOD USE

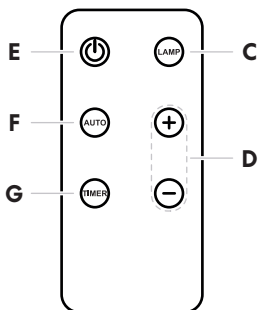
The range hood is designed to remove smoke, cooking vapors and odors from the cooktop area. For best results, start the range hood before cooking and allow it to operate several minutes after the cooking is complete to clear all smoke and odors from the kitchen.

Controls

Range Hood Control Panel



Remote Control



A. Remote Control Signal Receiver

B. Display

C. Light On/Off button

D. Blower speed button

E. Blower power On/Off button

F. Auto turn off button

G. Timer button

Operating the Blower

The Blower Speed button (D) sets the desired speed and control the sound level for quiet operation. The speed can be changed anytime during fan operation by pressing the blower speed button repeatedly.

The Blower Power On/Off button (E) turns the blower power on or off.

To turn the blower on

- Press the Blower Power On/Off button (E) and use the Blower Speed button (D) to set the desired speed.

To turn the blower off

- Press the Blower Power On/Off button (E) once will activate the 3-minute auto turn off timer, and the blower will turn off automatically after 3 minutes.
- Press the Blower Power On/Off button (E) again will turn off the blower instantly.

Operating the Light

The Light On/Off button (C) controls both lights. Press once for on and again for off.

Setting the Clock

1. Press and hold the Blower Power On/Off button (E) for 3 seconds.
2. Press the Light On/Off button (C) or Blower Speed button (D) to adjust the clock hour.
3. Press and hold the Blower Power On/Off button (E) for 3 seconds.
4. Press the Light On/Off button (C) or Blower Speed button (D) to adjust the clock minute.
5. Press and hold the Blower Power On/Off button (E) for 3 seconds to save the clock.

RANGE HOOD CARE

Cleaning

IMPORTANT:

- Clean the range hood and metal grease filter frequently according to the following instructions. Replace metal grease filter before operating range hood.
- Be sure the power is off/disconnected and the lights are cool before cleaning the range hood.

Exterior Surfaces

Clean the range hood with a mild detergent and soft cloth. To avoid damage to the exterior surface, do not use abrasive cleansers or steel-wool pads

Metal Grease Filter

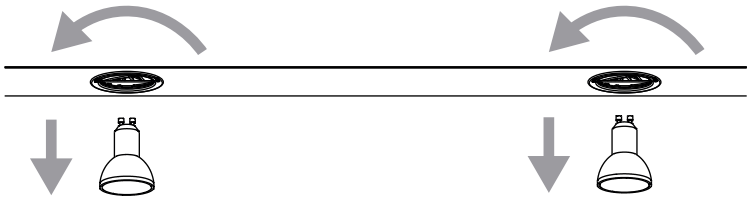
The metal filter should be washed frequently. Place metal filter in dishwasher or hot detergent solution to clean. Let metal filter dry thoroughly before replacing it.

1. Turn off fan and lights. Check that the LED lights are cool.
2. Remove the metal filter by pulling the spring release handle and then pulling down the metal filter.
3. Wash the metal filter as needed in the dishwasher or hot detergent solution.
4. Insert the metal grease filter into the upper track. Make sure the spring release handle is toward the front.
5. Pull the spring release handle down. Push up on the metal filter and release the handle to latch into place.

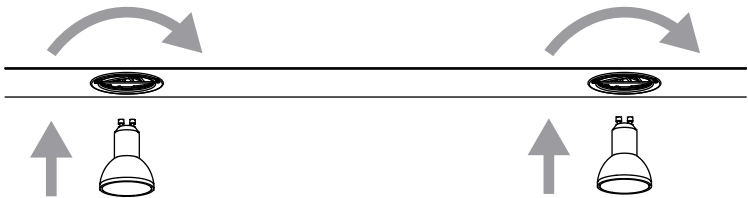
Replacing the LED Light

Turn off the range hood and allow the LED Lights to cool. Replace the LED lights using tissue or wearing cotton/latex gloves to handle them.

1. Disconnect power.
2. Rotate light counterclockwise to unlock and pull out. Wearing latex gloves may offer a better grip.



3. Replace with new light of same type, making sure pins are inserted properly into the sockets of the lamp holder and turn clockwise to lock.



4. Reconnect power.

LIMITED WARRANTY

WARRANTY AND SERVICE

TO RECEIVE WARRANTY SERVICE, YOUR PRODUCT MUST BE REGISTERED.

TO REGISTER AND REVIEW FULL WARRANTY DETAILS, VISIT:

WWW.COSMOAPPLIANCES.COM/WARRANTY

SCAN TO REGISTER



CUSTOMER SUPPORT

TO CHAT WITH US LIVE FOR ASSISTANCE, VISIT:

WWW.COSMOAPPLIANCES.COM/CHAT

SCAN TO CHAT



IMPORTANT

Do Not Return This Product To The Store

If you have a problem with this product, please contact COSMO Customer Support at

+1 (888) 784-3108

DATED PROOF OF PURCHASE, MODEL #, AND SERIAL # REQUIRED FOR WARRANTY SERVICE.

IMPORTANT

Ne pas Réexpédier ce Produit au Magasin

Pour tout problème concernant ce produit, veuillez contacter le service des consommateurs Cosmo Customer Support au

+1 (888) 784-3108

UNE PREUVE D'ACHAT DATEE EST REQUISE POUR BENEFICIER DE LA GARANTIE.

IMPORTANTE

No regrese este producto a la tienda

Si tiene algún problema con este producto, por favor contacte el ayuda al cliente COSMO al

+1 (888) 784-3108

(Válido solo en E.U.A.)

NECESITA UNA PRUEBA DE DE COMPRA FECHADA, NÚMERO DE MODELO Y DE SERIE PARA EL SERVICIO DE LA GARANTÍA.



Correct disposal of this product:

This marking indicates that this appliance should not be disposed with other household wastes. To prevent possible harm to the environment or human health from uncontrolled waste disposal, recycle it responsibly to promote the sustainable reuse of material resources.

MEMO

A series of horizontal dashed lines for writing.

MEMO

A series of horizontal dashed lines for writing.

MEMO

A series of horizontal dashed lines for writing.



APPLIANCES

Cosmo is constantly making efforts to improve the quality and performance of our products, so we may make changes to our appliances without updating this manual.

Electronic version of this manual is available at:
www.cosmoappliances.com