

# Instruction Manual

DAB+/FM Internet Radio - BR-90DABi



*Enjoy it.*



# CONTENTS

General Safety	4
Product Overview	6
Getting Started	
Positioning your radio	8
Adjusting Antenna	8
Setting the Language	9
Connecting to your Wi-Fi Network	9
Preset Stations	10
Internet Radio	10
Bluetooth	11
FM Radio	11
DAB+ Radio	11
Information Centre	12
Music Streaming via UPNP	
Configuration	
Time Display	13
Network	13
Date and Time	13
Dual Alarm	14
Spotify	15
Troubleshooting	16
Specification	17
Customer Support	20

# GENERAL SAFETY

Read this manual thoroughly before you start using the Speaker.

Store this manual, the completed warranty card, your receipt and the product packaging. The safety precautions instructions reduces the risk of fire, electric shock and injury when correctly complied to.

Please follow all instructions and take notice of all warnings.

## IMPORTANT INFORMATION

- Ensure the Product is not overhanging the edge of the supporting furniture.
- Do not place the product on a high furniture without securing both the furniture and the product to a stable support.
- Do not place the product on cloth or other conductive materials.
- Do not expose this product to rain or moisture as it may result in fire or an electric shock hazard
- Do not temper or change or modify the product in any way.
- Only use Accessories outlined and recommended by the manufacturer.
- Please do not expose the product to splashing or water contact
- Please do not place any object on top of the product

- The apparatus shall not be exposed to dripping or splashing and no objects filled with liquids, such as vases, shall be placed on the product. Dry location use only.
- No naked flame source, such as candles, should be placed on the product.
- Do not allow anything to rest on or roll over the power cord. Doing so may cause fire or electric shock.
- Unplug ths product during lightning storms or when unused for long periods of time. Do not use this product during lightning storms.
- Do not cover the ventilation openings of the product with items such as newspapers, tablecloths, curtains etc or insert objects into the slots available on the products. As this could result in the product temperature rising and could cause a fire.

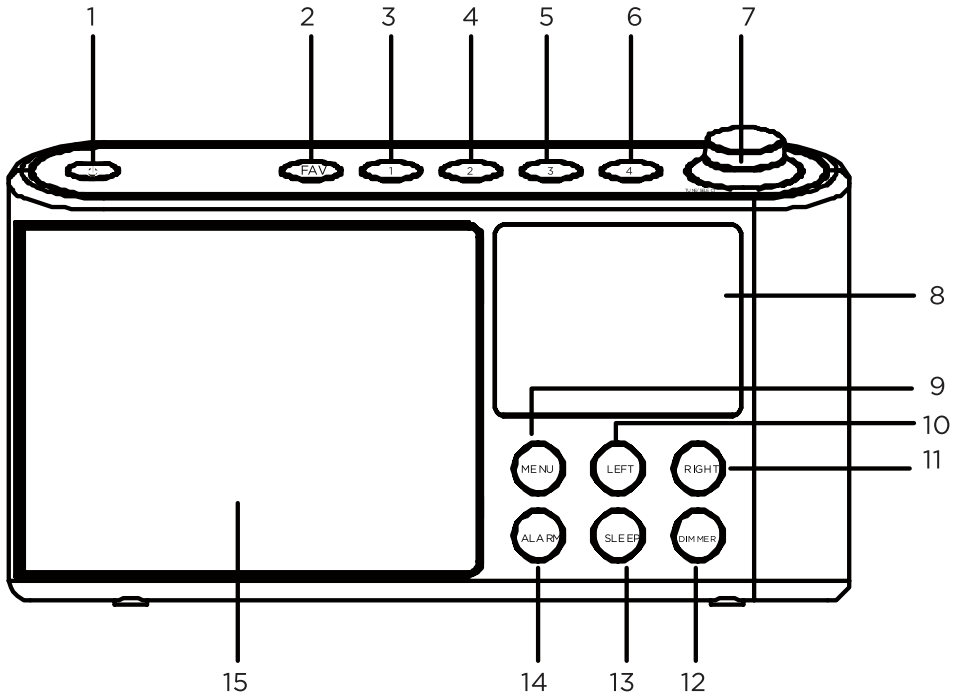
# GENERAL SAFETY (CONT.)

- If you notice any unusual odors or smoke around the unit, immediately disconnect the unit from the outlet and contact the service center.
- Please beware that Dust could accumulate over time on the unit and cause it to generate heat and or deteriorate insulation, which in turn may result in an electrical fire.
- The product is not intended for use by persons (including children) with reduced physical, sensory or mental capabilities, or young children of any age, They must be supervised product by a person responsible for their safety.
- To maintain the product do not use any chemical or cleaning agent or wet cloth, please only ensure to utilize a dry cloth to wipe it down from marks or dust and only after unplugging the product from the power socket.
- Please ensure to contact our call center for any repair or service required for the products.

## **Please make sure upon positioning this product, the place is:**

- Away from splashes or food.
- Protected from excessive dust or grease.
- Allow 20cm above and 5cm spacing on both sides for proper ventilation.
- Do not place the Product near heat sources such as radiators, stoves or other audio visual equipment that produce heat.
- Do not place containers with liquids, if liquid falls inside the products it may result in short-circuit, fire.
- Do not place small metallic objects on top of the unit.
- Do not use or store flammable or combustible materials near the unit. Doing so may result in fire or explosion. Do not place any naked flame sources, such as lit candles, cigarettes or incense sticks on top of the product.

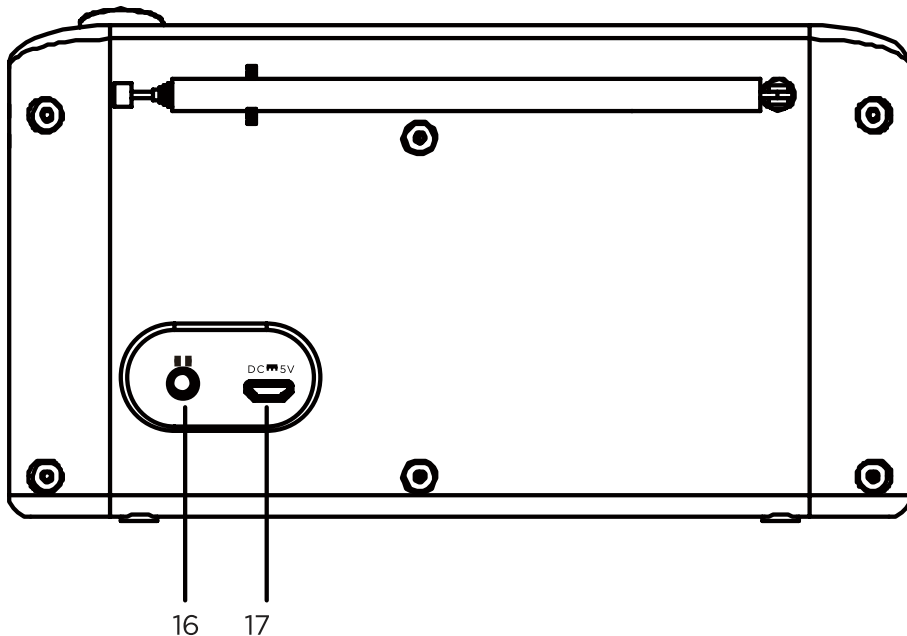
# PRODUCT OVERVIEW



- |    |                            |     |                         |
|----|----------------------------|-----|-------------------------|
| 1. | POWER                      | 9.  | MENU                    |
| 2. | FAV                        | 10. | LEFT Direction / BACK   |
| 3. | 1st pre-stored station     | 11. | RIGHT direction / ENTER |
| 4. | 2nd Pre-Stored station     | 12. | Dimmer                  |
| 5. | 3rd Pre-Stored station     | 13. | Sleep                   |
| 6. | 4th Pre-Stored station     | 14. | Alarm                   |
| 7. | TUNE / Enter / Volume Dial | 15. | Speaker                 |
| 8. | Colour Screen              |     |                         |

# PRODUCT OVERVIEW (CONT.)

## REAR VIEW



16. Headphone Socket

17. DC IN



Wifi Level



Battery Charging



Battery Charge Complete



Low Battery, Please charge



Alarm 1 or Alarm 2



Preset Successful

# GETTING STARTED

## Positioning your Radio

Place your radio on a flat/stable surface that is not subject to vibrations.

## Adjusting the Antenna

Extend the antenna to ensure you receive the best reception possible in both DAB and FM radio modes. It may be necessary to adjust the position of the radio and /or antenna to achieve the best signal.

## Turning the unit On/Off - For Battery and Power Adaptor Cable

Connect the plug at the end of power adapter cable to the DC IN socket on the rear of unit. Then insert the power adapter into the mains socket. The unit will turn on.

Press /POWER button to switch unit standby.

## To wake radio up from Standby mode (clock display), press and hold MENU button.

## Radio Auto-standby

To avoid unnecessary energy consumption, the radio will automatically go to standby after 15 minutes if the radio isn't playing any program/track.

In battery mode, to save the battery consumption, it suggests manually go to standby mode by long pressing the "MENU" button in 3 seconds. You can also long press "MENU" button by 3 seconds to exit the standby mode.

## Automatically Setting the Clock

The clock can be set and updated automatically if are connected to the internet or receive DAB/FM signals in your location. In order for the clock to synchronise to the current local time you must leave it on an Internet Radio, DAB or FM station for a short period of time.

# Getting Started (Cont.)

## Selecting the language

- When you first turn on your internet radio a welcome message will be displayed.
- Then you will be given languages to select from to be displayed.

Please make sure to choose the correct language.

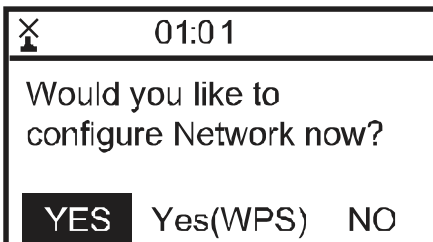
## Wireless LAN Setting

- A wireless access point (Wi-Fi) connected to your broadband Internet, preferably via a router.
- If your wireless network is configured to use Wired Equivalent Privacy (WEP) or Wi-Fi Protected Access (WPA) data encryption then you need to know the WEP or WPA code so you can get the Internet Radio to communicate with the network.

## Connecting to your Wi-Fi network

Next screen after selecting the language, you will be giving the option to configure and connect to your home Wi-Fi.

1. Select Yes to proceed
2. Select your Wi-Fi network name scrolling with the dial TUNE/SELECT at top of the internet radio, press it down to select your Wi-Fi Network.
3. Enter your Wi-Fi password by turning the TUNE/SELECT dial to reach your letter or number, then press the RIGHT directional button at the front of internet radio to select the letter or number.
4. Once you have entered in all the credentials, press down the TUNE/SELECT dial to connect to your WiFi network.



# Getting Started (Cont.)

## PRESET Internet/DAB+/FM Radio Stations

1. When your favourite radio station is playing, press and hold **FAV button** and then select which number you want to set the station too using the **TUNE/SELECT** dial.
2. Or when on your radio station, press and hold the numbered buttons listed 1-4 on top of the radio to have direct access to your radio station at a later date.

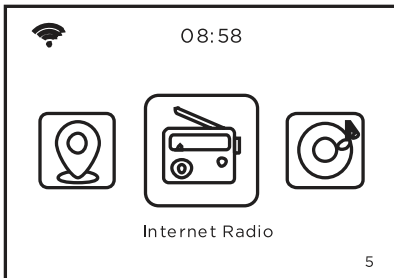
## You can edit your favourite radio stations at any time:

1. Press and hold the FAV button located at top of Internet Radio
2. Scroll through the list and when you select with (right arrow) button

**Note:** Each radio mode, Internet/DAB+/FM Radio has its own set of pre-set stations, pressing **“FAV”** button at top of radio will show all your tuned or preset stations.

## Internet Radio

- Now that you have connected to your Wi-Fi network and have access to the internet. You can now access Internet Radio Stations.



1. Select **Internet Radio** then select **“Radio Station/Music”**
2. You can find a internet radio stations by Genre or Location.
3. Scroll through the listed radio stations
4. Press **Right** arrow button or **TUNE/SELECT** dial down to select and listen to the radio station.

# Getting Started (Cont.)

## Bluetooth

1. Select the **BLUETOOTH** mode on the main menu by scrolling with the **TUNE/SELECT** dial at top of the internet radio and pressing the button down to enter your selection.
2. Turn on Bluetooth on your smart device and search for **“BR-90DABi”**
3. Select **“BR-90DABi”** on list of scanned Bluetooth devices to connect to your internet radio.
4. You can now listen to your favourite songs via your smart device.

## FM Radio

1. Select the **FM Radio** option on the main menu by scrolling with the **TUNE/SELECT** dial at top of the internet radio and pressing the button down to enter your selection.
2. Make sure to extend the telescopic antenna to ensure better quality reception is received.
3. Press and hold the **LEFT** or **RIGHT** directional arrow to manually seek your radio stations OR press the **TUNE/SELECT** dial at the top of the internet radio and select **YES** to **AUTO TUNE** your FM radio stations.

## DAB+ Radio

1. Select the **DAB+ Radio** option on the main menu by scrolling with the **TUNE/SELECT** dial at top of the internet radio and pressing the button down to enter your selection.
2. Make sure to extend the telescopic antenna to ensure better quality reception is received.
3. Press the **LEFT** directional arrow to enter **AUTO SCAN** option to seek your DAB+ station. You can either select **Yes**, to delete current radio stations, or **No** to scan while keeping the radio stations you currently have.

# Getting Started (Cont.)

## Information Centre

1. You can have quick access to weather when connecting your internet radio to your Wi-Fi network
2. Select the INFORMATION CENTRE mode on the main menu by scrolling with the **TUNE/SELECT** dial at top of the internet radio and pressing the button down to enter your selection.
3. Choose the region you want by rotating **TUNE/SELECT** dial and then press it down to select the region. Once selected continue pressing **TUNE/SELECT** button down until it shows **“Add to stand by display”** option and then press **TUNE/SELECT** to confirm.

## Media Center - UPnP (Universal Plug and Play)

The device supports UPnP and is DLNA-compatible. This provides the opportunity to stream music from other network devices.

However, this requires you to have a compatible device in your network that can function as a server. The folders can then be browsed and played on the Tuner. Please make sure your PC or laptop is on the same Wi-Fi network as the Radio before you start using this function.

## Configuring UPnP server

Before you can stream music from your device (laptop or PC) on to the radio, you must set up the audio files and enable permission for streaming on your device. The exact procedure depends on your device configuration and media player version. In general:

- Save the audio files you wish to play on to the media library.
- Enable media sharing on your media

**Music streaming via UPnP-** Once the UPnP server is configured to share media files with your radio, you can start music streaming.

1. On the main menu, select <Media Centre> and choose <UPnP>
2. It may take a few seconds for the radio to complete the scan for available UPnP servers. If no UPnP servers are found, it will show <Empty List>.
3. After a successful scan is done, select your UPnP server.
4. The radio will show the media categories available from the UPnP server, e.g. 'Music', 'Playlists' etc. Choose the media files that you wish to play.

# CONFIGURATION

Select the CONFIGURATION on the main menu by scrolling with the **TUNE/SELECT** dial at top of the internet radio and pressing the button down to enter your selection.

## Time Display

1. Select **TIME DISPLAY** by scrolling with the **TUNE/SELECT** dial.
2. You can either select between **ANALOG** or **DIGITAL** for time to be displayed on standby mode.

## Network

1. Select **NETWORK** by scrolling with the **TUNE/SELECT** dial.
2. You can connect to Wi-Fi same as initial setup by scanning for Wi-Fi networks and following the prompts indicated on page 10 of this instruction manual.

## Date and Time

1. Select **DATE & TIME** by scrolling with the **TUNE/SELECT** dial.
2. You can select to adjust **DATE and TIME**, or each individually.
3. You can **AUTO DETECT** to apply time and date for you (please keep in mind you must be connected to Wi-Fi network for this to work correctly).
4. otherwise manually set up by selected **“Manual”** and adjusting time and date with the **TUNE/SELECT** dial and press **RIGHT** directional arrow to go to next section.

# CONFIGURATION (Cont.)

## Dual Alarm

1. Press the **ALARM** button located at the front of the unit.
2. You can now see **ALARM 1** and **ALARM 2** are currently set to OFF.
3. Set one or both alarms at different times:
  - Select either **ALARM 1** or **ALARM 2** via turning the **TUNE/SELECT** dial and pressing down on the dial to select.
  - Select Turn on
  - **Repeat:** Everyday (select to choose more options other than everyday).
  - **Time:** select the time of day you want the alarm to occur.
  - **Sound:** choose the tone you want to occur when alarm sounds.
4. **NAP Alarm** - Set a short alarm for a certain amount of pre-selected times.

## Equaliser

This feature enables you to choose a sound equalization profile. Each of the equalization setting will change the tone of the sound from your radio when selected.

1. Press **MENU** button - Configuration-Equaliser- press **TUNE/SELECT** dial to confirm.
2. Turn **TUNE/SELECT** dial and then press it to select a profile through Normal, Flat, Jazz, Rock, Soundtracks, Classical, Pop, News and My EQ.
3. To set up My EQ, select "**My EQ**", and then press **TUNE/SELECT** dial to confirm. Press "**right arrow**" button to select Bass, Treble. Turn the **TUNE/SELECT** dial to change the value of Bass, Treble and then press **TUNE/SELECT** dial to confirm.

## Reset to default

Doing a factory reset clears all user defined setting, replacing them with the original default values, so time/date, DAB station list and preset fav stations are all lost.

1. Press **MENU** button - Configuration - Reset to Default - press **TUNE/SELECT** dial to confirm.
2. Turn **TUNE/SELECT** knob to select "**YES**", and then press **TUNE/SELECT** dial to confirm.

# SPOTIFY

Use your phone, Tablet or computer as a remote control for Spotify.  
Go to [spotify.com/connect](https://spotify.com/connect) to learn how.

The Spotify Software is subjected to third party licences found here:  
<https://www.spotify.com/connect/third-party-licenses>

# TROUBLESHOOTING

If a problem occurs, it may often be due to something very minor. The following table contains various tips.

Problem	How to Solve
<p>If you have trouble connecting the radio to your wireless network</p>	<ol style="list-style-type: none"> <li>1. Confirm that a Wi-Fi or Ethernet Wired connected PC can access the internet (i.e. can browse the web) using the same network.</li> <li>2. If you have an encrypted network, check that you have entered the correct key or passphrase into the radio. Remember that text-format keys are case sensitive.</li> <li>3. If your wireless network name (SSID) is 'Hidden'(a setting on the wireless access point), then you can either turn on the name, or you can manually enter the name into the internet radio and media player, Select &lt;Configure -&gt; Network -&gt; Manual Configuration-&gt; Wireless -&gt; Enter SSID&gt;. Confirm if the Network is encrypted, e.g. requires a WEP or WPA key, then enter the network name.</li> </ol>
<p>If the Internet Radio keeps re-buffering radio station</p>	<ol style="list-style-type: none"> <li>-1. The Internet Radio is streaming the data from the radio station via your broadband connection, if there is a high error rate on your broadband connection, or the connection is intermittent, then it will cause the Internet Radio to pause until the connection is re-established and it has received enough data to start playing again.</li> <li>2. - If your Internet Radio keeps stopping, please check the DSL modem to ensure that the Broadband line is not suffering a high error rate or disconnections. If you are experiencing these problems, you will need to contact your broadband supplier.</li> </ol>
<p>No Power</p>	<ol style="list-style-type: none"> <li>1. Ensure the mains cable is properly connected</li> <li>2. Make sure that the unit is turn on</li> <li>3. Make sure that the unit get enough battery</li> </ol>
<p>The unit does not respond when pressing any buttons</p>	<p>The unit may freeze up during use .Switch the unit off and then on again to reset it</p>
<p>Poor radio reception</p>	<p>Make sure the antenna is fully extended . Electrical interference in your home can cause poor reception .Move the unit away from them (especially those with motors and transformers</p>
<p>Desired station not found</p>	<p>Weak signal, Search manually.</p>
<p>I cannot find "BCR-90DABi" on my Bluetooth device</p>	<p>Ensure the Bluetooth function is activated on your Bluetooth device. Re-pair the unit with your Bluetooth device</p>



# SPECIFICATIONS

<b>Audio Output Power 2W RMS</b>	2W RMS
<b>Power Adaptor (not included)</b>	
<b>Input</b>	5V, 1A
<b>Frequency</b>	
<b>DAB 174.928-239.200 MHz</b>	174.928-239.200 MHz
<b>FM 87.5-108 MHz</b>	87.5-108 MHz
<b>Power Consumption 5W</b>	5W
<b>Dimensions 198 x 45 x 108 mm (w x d x h)</b>	198 x 45 x 108 mm (w x d x h)
<b>Wireless Network</b>	IEEE802.11b/g/n
<b>Wireless Frequency</b>	2.4 GHz
<b>WiFi Transmission Power</b>	13.5dBm
<b>Security Protocol</b>	WEP / WPA / WPA2
<b>Bluetooth Version</b>	5.0
<b>Battery capacity</b>	2200mAh
<b>Battery charging time</b>	2.5hours for 90% power
<b>Playing time</b>	5.5 hours under 50% volume

## What's in the box?

- 1 x DAB+/FM Internet Radio
- 1 x 1m Micro USB Cable
- 1 x Instruction Manual
- 1 x Warranty Card

PAGE LEFT BLANK  
INTENTIONALLY





**CUSTOMER HELPLINE:**

[info@ayonz.com](mailto:info@ayonz.com)

**DISTRIBUTED BY:**

Ayonz Pty Ltd