



Dishwasher

Use & Care Guide

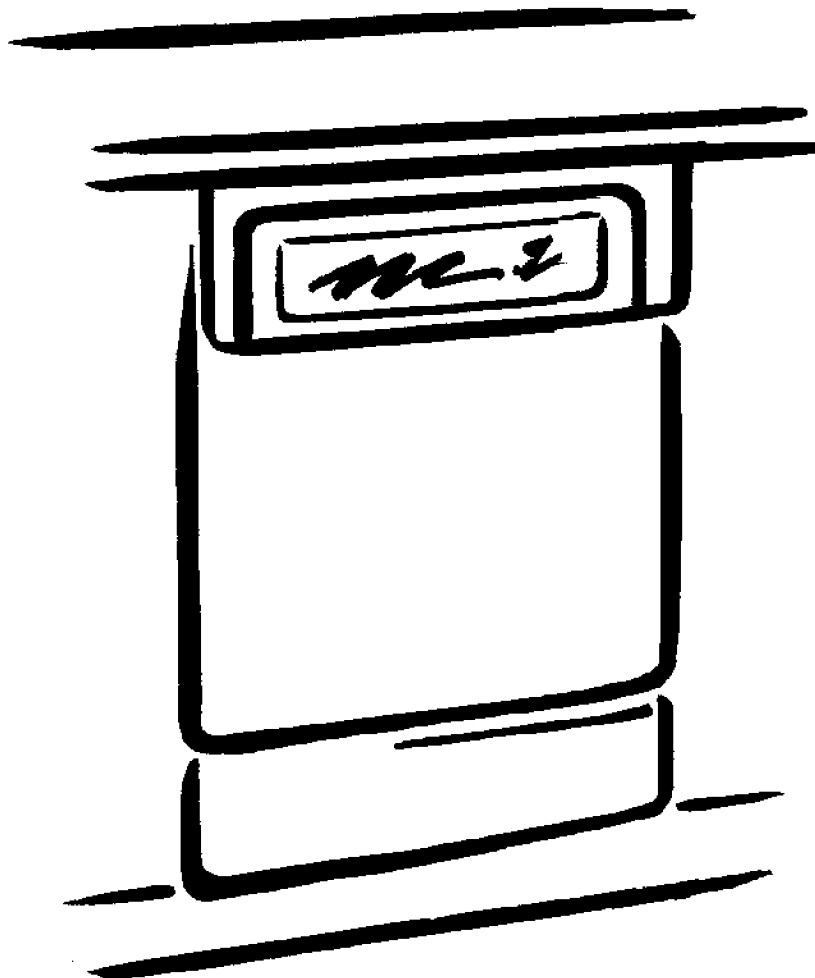
Lavavajillas

Manual de uso y cuidado

Lave-vaisselle

Guide de l'utilisation et d'entretien

Model/Modelo/Modèle 587.14432, 587.14439, 587.17252, 587.17259



ENGLISH

ESPAÑOL

FRANÇAIS

Table of Contents

U.S. Warranty 2
 Safety Instructions 3
 Dishwasher Features 4
 Operating Instructions 5
 Preparing and Loading Dishes 6-7
 Dishwasher Dispenser and Detergents 8-9
 Factors Affecting Performance 9
 Care and Cleaning 10-11
 Installing Wood Panels 11
 Connecting Portable Dishwasher 12
 Common Dishwasher Problems and Solutions 13-14
 Troubleshooting 14
 Canadian Warranty 15
 Service Back Cover

Sears Dishwasher Warranty

FULL ONE -YEAR WARRANTY ON DISHWASHER

For one year from the first day of use in your home, Sears will repair, free of charge, defects in material or workmanship which appear in this dishwasher.

FULL TEN-YEAR WARRANTY AGAINST LEAKS IN THE TUB AND INNER DOOR PANEL

For ten years from the first day of use in your home, if a leak should occur as a result of failure of the tub or inner door panel due to cracking, chipping, or peeling, Sears will replace, free of charge, the tub or inner door panel.

If the dishwasher is subjected to other than private family use, the above warranty coverage is effective for only 90 days.

Warranty service is available by contacting the nearest Sears Service Center/Department in the United States. This warranty applies only while this product is in use in the United States.

This warranty gives you specific legal rights, and you may also have other rights which vary from state to state.

**Sears, Roebuck and Co.,
 Dept. 817WA,
 Hoffman Estates, IL 60179**

The model number of your automatic dishwasher is found on the serial plate fastened to the tub wall just inside the dishwasher door.

All repair parts are available for immediate purchase or special order when you visit your nearest Sears Service Center, or the Service Department at most Sears Stores. To request service or order parts by phone, call the toll free numbers listed on the back cover.

When requesting service or ordering parts, always provide the following information:

- Product Type
- Part Number
- Model Number
- Part Description



Important Safety Instructions

⚠ WARNING

This symbol will help alert you to such dangers as personal injury, burns, fire and electrical shock.

⚠ WARNING

To reduce the risk of fire, electrical shock, or injury when using your dishwasher, follow basic precautions including the following:

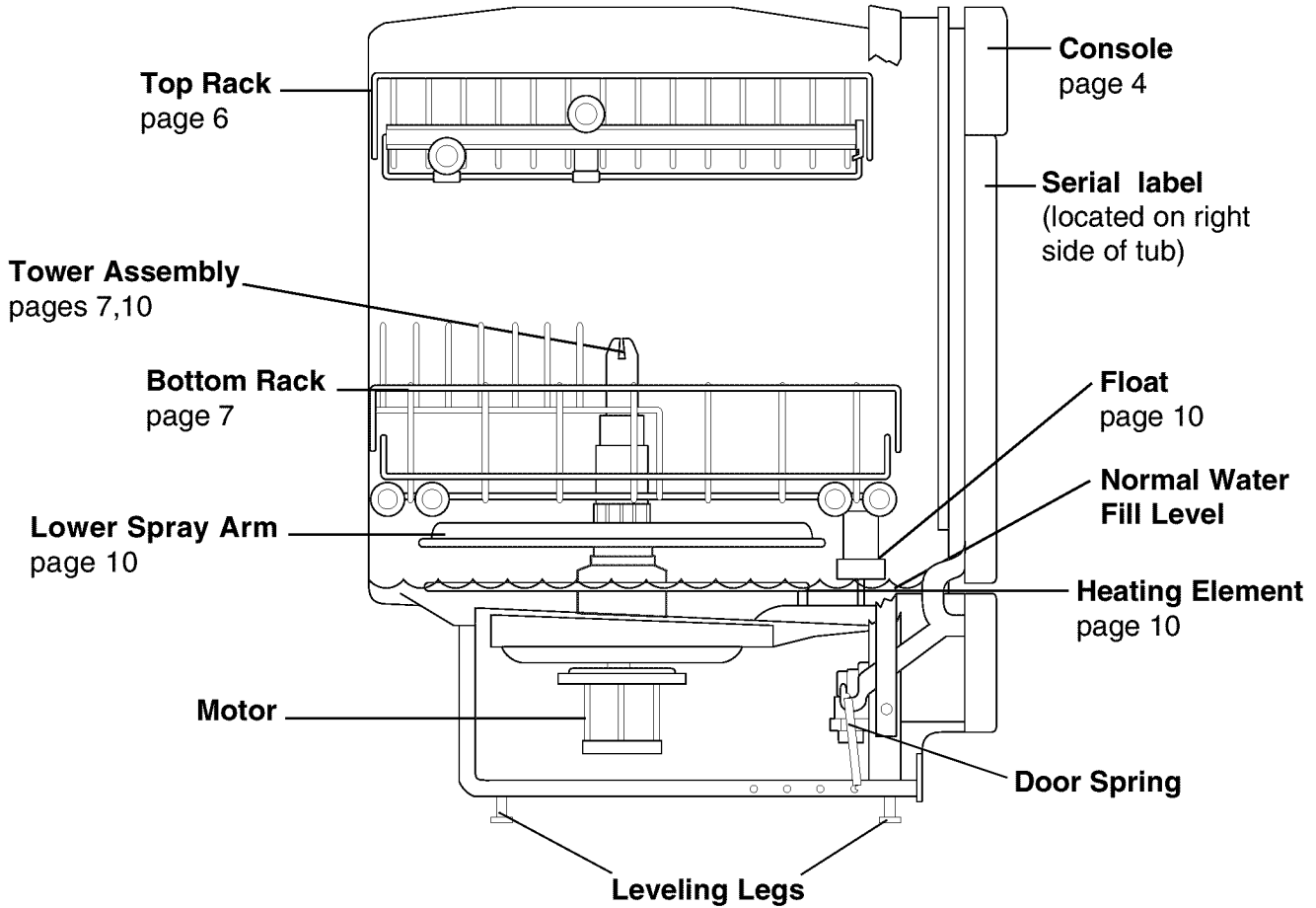
- Read all instructions before using your dishwasher.
- Use your dishwasher only as instructed in this Use & Care Guide.
- This Guide does not cover every possible condition and situation that may occur. Use common sense and caution when installing, operating and maintaining any appliance.
- **DISHWASHER MUST BE ELECTRICALLY GROUNDED.** Read the Installation Instructions for details.
- This dishwasher is designed to operate on regular house current (120 V, 60 Hz). Use a circuit equipped with a 15 ampere fuse or circuit breaker. Use a 20 ampere fuse if dishwasher is connected with a food waste disposer.
- Do not operate dishwasher unless all enclosure panels are in their proper place.
- To avoid entrapment and/or suffocation, remove door or door latch mechanism from any dishwasher that is discarded or not in use.
- Keep young children and infants away from dishwasher when it is operating.
- Do not let children abuse, sit, stand or play on door or racks of a dishwasher.
- Use only detergents and rinse agents recommended for use in a dishwasher.
- Store dishwasher detergent and rinse agents out of the reach of children.
- Do not wash plastic items unless marked “dishwasher safe” or the equivalent. Check with manufacturer for recommendations, if not marked. Items that are not dishwasher safe may melt and create a potential fire hazard.
- If the dishwasher drains into a food disposer, make sure disposer is completely empty before running dishwasher.
- Disconnect electrical power to dishwasher before servicing.
- Repairs should be done by a qualified technician.
- Do not tamper with controls.
- Do not touch the heating element during or immediately after use.
- When loading items to be washed:
 - Locate sharp items and knives so that they are not likely to damage the door seal or tub.
 - Load sharp items and knives with the handles up to reduce the risk of cut-type injuries.
- Under certain conditions, hydrogen gas may be produced in a hot water system that has not been used for 2 weeks or more. **HYDROGEN GAS IS EXPLOSIVE.** If hot water system has not been used for such a period, before using dishwasher, turn on all hot water faucets and let water flow from each for several minutes. This will release any accumulated hydrogen gas. **HYDROGEN GAS IS FLAMMABLE.** Do not smoke or use an open flame during this time.
- Do not store or use combustible materials, gasoline or other flammable vapors and liquids in the vicinity of this or any other appliance.

**SAVE THESE
INSTRUCTIONS**

ENGLISH

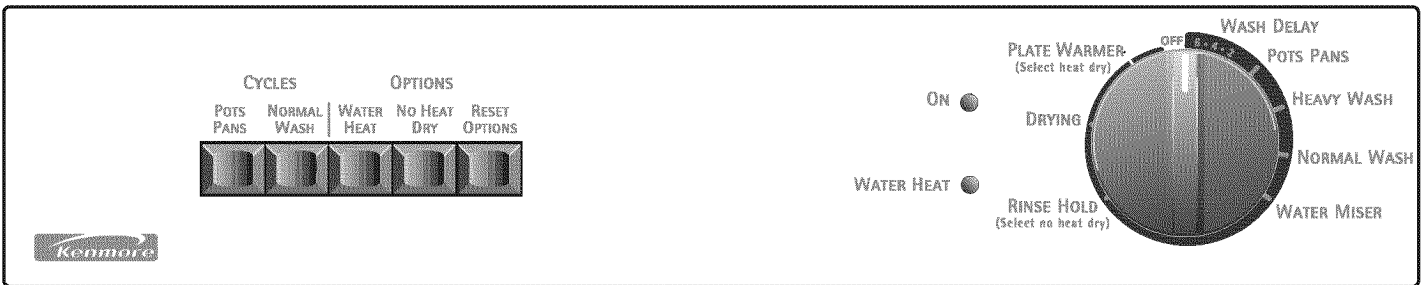
Dishwasher Features

Your dishwasher, illustrated below, cleans by spraying a mixture of hot, clean water, and detergent against the soiled surfaces of your dishes and tableware. Each cycle starts with a pre-drain. Next, the dishwasher fills with water to a level even with the heating element. This water is constantly pumped through the rotating spray arm and center wash tower and sprayed onto the dishes. Soiled water is pumped out and replaced with clean water during a cycle. The number of water fills depends upon the cycle being used.



ENGLISH

Control Panel



Operating Instructions

Getting Started

1. Load dishwasher (See Preparing and Loading Dishes).
2. Add detergent (See Dishwasher Dispenser & Detergents).
3. Add rinse aid, if needed (See Rinse Aid).
4. Select wash cycle (See Cycle Chart).
5. Select desired energy OPTIONS (See Energy Options).
6. See page 12 for instructions on connecting the portable dishwasher.
7. If using Wash Delay, go to step 9.
8. Run hot water faucet nearest dishwasher until water is hot. Turn water off.
9. To start, close door to latch. The ON indicator light will glow throughout the wash, rinse and dry portions of cycle.

Wash Delay

Allows you to delay starting the POTS PANS or NORMAL WASH cycle.

- Press POTS PANS or NORMAL WASH button and select desired OPTIONS.
- Turn dial to number of hours for wash delay.
- Close door to latch.

Plate Warmer

For warming dishes and serving plates before serving hot foods.

- Load clean plates and dishes to be warmed.
- Turn dial to PLATE WARMER.
- Select heat dry option.

| Cycle Chart | | | | | |
|--------------------|----------------------------------------------------------------------------|------------------------------------------------------------------------------------------------------------------------------------------------------------------------------------------|-------------------------|----------------|----------------------|
| Cycles | Description | To Select Cycle | Water (approx.) | Time (approx.) | Washes/Rinses |
| Pots Pans | For pots, pans, casseroles and dinnerware with dried-on or baked-on soils. | <ul style="list-style-type: none"> • Press POTS PANS button. • Select desired OPTIONS. • Turn dial to POTS PANS. | 9.3 gal. 35.2 liters | 90 min.* | 2 washes 5 rinses |
| Heavy Wash | For heavily soiled dishes and silverware. | <ul style="list-style-type: none"> • Press POTS PANS button. • Select desired OPTIONS. • Turn dial to HEAVY WASH. | 8.0 gal. 30.3 liters | 84 min.* | 2 washes 4 rinses |
| Normal Wash | For regularly soiled dishes and silverware. | <ul style="list-style-type: none"> • Press NORMAL WASH button. • Select desired OPTIONS. • Turn dial to NORMAL WASH. | 6.7 gal. 25.4 liters | 78 min.* | 2 washes 3 rinses |
| Water Miser | For lightly soiled or pre-rinsed dishes and silverware. | <ul style="list-style-type: none"> • Press NORMAL WASH button. • Select desired OPTIONS. • Turn dial to WATER MISER. | 5.3 gal. 20.1 liters | 72 min.* | 1 wash 3 rinses |
| Rinse Hold | For rinsing dishes that will be washed later. | <ul style="list-style-type: none"> • DO NOT USE detergent. • Press NORMAL WASH button. • Select NO HEAT DRY option. • Turn dial to RINSE HOLD. | 1.3 gal. 4.9 liters | 9 min. | 1 rinse |

* Includes dry time.

Energy Options

Water Heat Option

When WATER HEAT option is selected, the heating element in bottom of tub will raise the main wash water temperature to approximately 140°F. Wash action will continue but timer will not advance until this water temperature has been reached. The hotter water provided by this option helps activate dishwasher detergent to clean food grease and soil from dishes. WATER HEAT option can be used with any cycle except RINSE HOLD.

The WATER HEAT light will glow until the water temperature reaches 140°F. To turn off option press RESET OPTIONS.

No Heat Dry Option

NO HEAT DRY option saves electricity. The heating element stays off during drying portion of cycle. Additional drying time may be required, with door open, to completely air dry dishes. Some water droplets may remain on door and in areas where dishes touch dishwasher basket or rack.

To turn NO HEAT DRY option off and select a heated drying cycle, push the RESET OPTIONS button. If NO HEAT DRY option is not selected, a heated drying cycle is automatically provided. NO HEAT DRY option must be selected with the RINSE HOLD cycle.

The drying option may be changed at any time during the cycle and affects only the drying period.

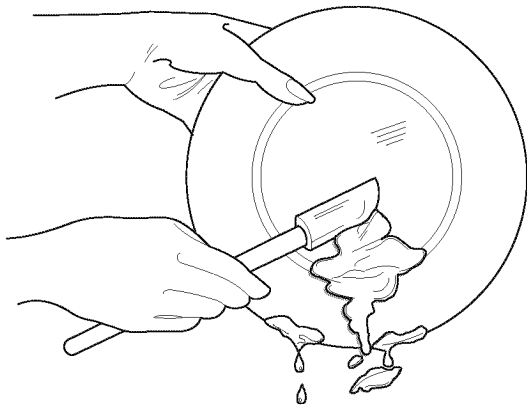
Preparing and Loading Dishes

Dish Preparation

It is not necessary to rinse dishes before putting them into the dishwasher. Just remove large pieces and quantities of food, bones, pits, etc. Empty glasses and cups. It may be necessary to presoak or lightly scour firmly cooked-on or baked-on foods.

Foods such as mustard, mayonnaise, vinegar, lemon juice and tomato-based products may cause discoloration of stainless steel and plastics if allowed to sit for a long period of time. Unless the dishwasher is to be operated at once, it is best to rinse off these food soils.

- Load dishes facing the center of the rack so that the water spray from the rotating spray arm and center wash tower can reach soiled surfaces.
- Be sure large items do not block the detergent dispenser, preventing it from opening during the wash cycle.
- To be sure an item is dishwasher safe, read the manufacturer's care instructions.
- If the dishwasher drains into a food disposer, **be sure disposer is completely empty before dishwasher is started.**
- To save energy, wash full loads.
- For best washing results, load correctly and avoid overloading.



Loading the Top Rack

Glasses and cups—Place glasses and cups against outside pins at an angle. Cups with a concave bottom will collect water.

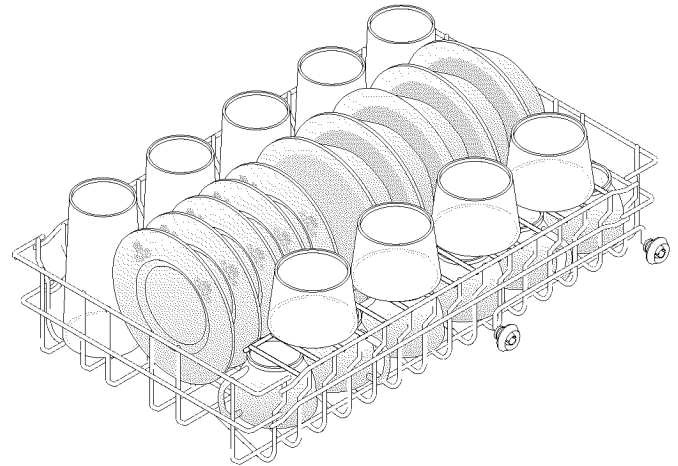
Small plates and saucers—Place dishes between middle two rows of pins.

Plasticware—Load plasticware in the top rack to avoid melting.

Bowls—Place bowls between the middle 2 rows of pins facing down.

Miscellaneous items—Place long handled knives and utensils in top rack.

Cup Shelf—The cup shelf can be folded down over short items (juice glasses, cups, etc.) for more loading space. When using cup shelf, alternate items with layer below so that water can reach all inside surfaces.



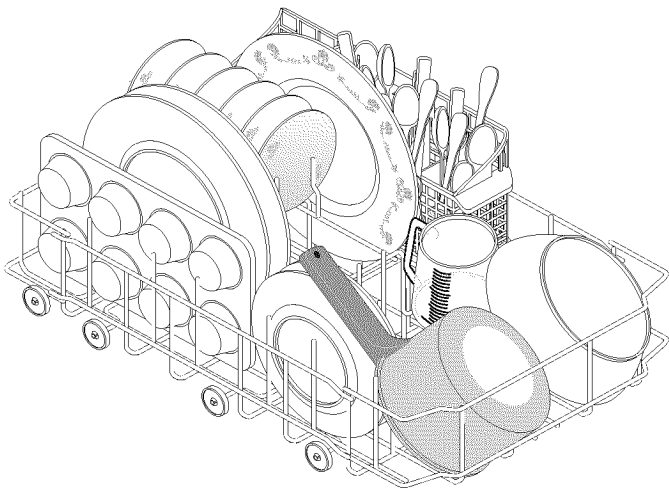
Preparing and Loading Dishes continued

Loading the Bottom Rack

Large plates and platters—Place between the support pins with soiled sides facing inward.

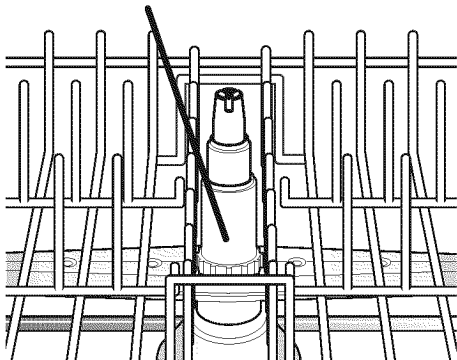
Bowls, casseroles and sauce pans—Load upside down or at an angle facing inward. Slightly tilting items will provide better drainage.

Pots and pans—Place upside down and at an angle. Do not allow handles to protrude through bottom of rack, blocking wash arm rotation. Load large items at the sides and not across the front so they do not block the detergent dispenser preventing it from opening.



DO NOT block the center area of the lower rack when loading. Because the center wash tower extends through this area, blockage may result in poor cleaning.

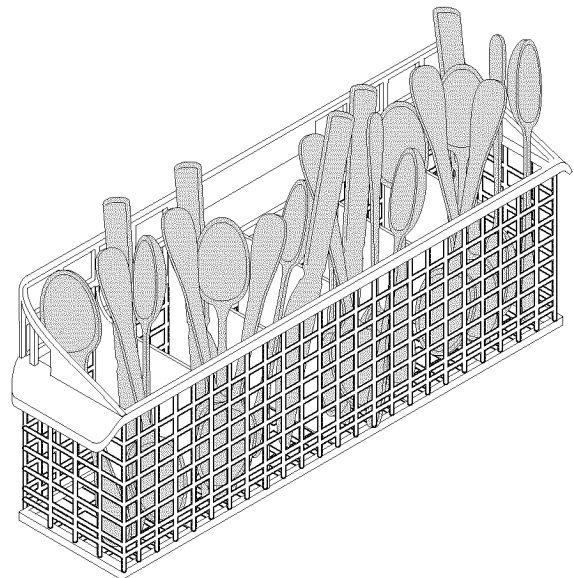
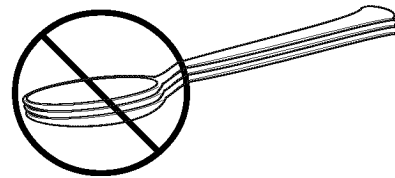
Do NOT block center area.



Loading the Silverware Basket

Load sharp items with handles up. Be sure items do not protrude through the holes in the basket and stop the rotation of the spray arm.

Load silverware so items are mixed in each section to prevent nesting. Water spray cannot effectively reach nested items.



Adding a Dish

1. Make sure there is a full wash cycle yet to be completed so that any added items are thoroughly washed and rinsed.
2. Unlatch door and wait for water action to stop.
3. Open door and add dish.
4. Firmly close door to latch and resume cycle.

Dishwasher Dispenser & Detergents

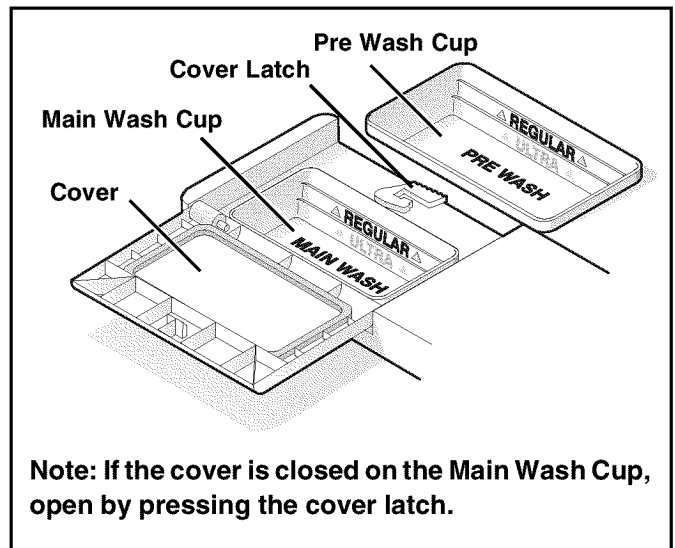
Filling the Detergent Dispenser

The detergent dispenser has one covered and one uncovered cup. Detergent in the uncovered cup falls into the dishwasher when the door is closed. The covered cup opens automatically to release detergent.

- Use only fresh automatic dishwashing detergent. Other detergents will cause oversudsing.
- When using automatic dishwashing detergent tabs, place one tab in main wash cup and close.
- Add detergent just before starting cycle.
- Store detergent in a cool, dry location. Moist or caked detergent will not dissolve properly.

How much Detergent to use

The amount of detergent to use depends on the water hardness. Water hardness is measured in grains per gallon. Using too little detergent can result in poor cleaning and hard water filming or spotting. Using too much detergent in soft water can cause a permanent film called etching. Your local water company, water softener company or county extension agent can tell you the water hardness in your area.



ENGLISH

Detergent Usage Guide

| Cycle | Soft Water (0-3 grains) | Medium Hard Water (4-8 grains) | Hard Water (9-12 grains) | Very Hard Water* (over 12 grains) |
|----------------------------------------|---------------------------------------------|----------------------------------------------------------------|----------------------------------------------------|----------------------------------------------------------------------|
| Pots Pans Heavy Wash Normal Wash | 2 teaspoons (each cup— 1/4 full) | 5 teaspoons (each cup—fill to line above "Regular") | 8 teaspoons (each cup— completely full) | Each Cup— Completely Full (water softener recommended) |
| Water Miser | 2 teaspoons (Main Wash cup— 1/4 full) | 5 teaspoons (Main Wash cup—fill to line above "Regular") | 8 teaspoons (Main Wash cup— completely full) | Main Wash Cup— Completely Full (water softener recommended) |
| Rinse Hold | No Detergent | No Detergent | No Detergent | No Detergent (water softener recommended) |

***Note:** For very hard water, detergent alone may not be enough. A water softener is recommended to improve water quality and dishwashing performance. Try adding more detergent at the beginning of the main wash portion of the cycle. As a rule, use 1 teaspoon for each grain above 12. Unlatch the door, open slowly and add detergent to the bottom of the tub. Close the door to latch and the dishwasher will continue through the cycle.

Dishwasher Dispenser & Detergents (continued)

Rinse Aid

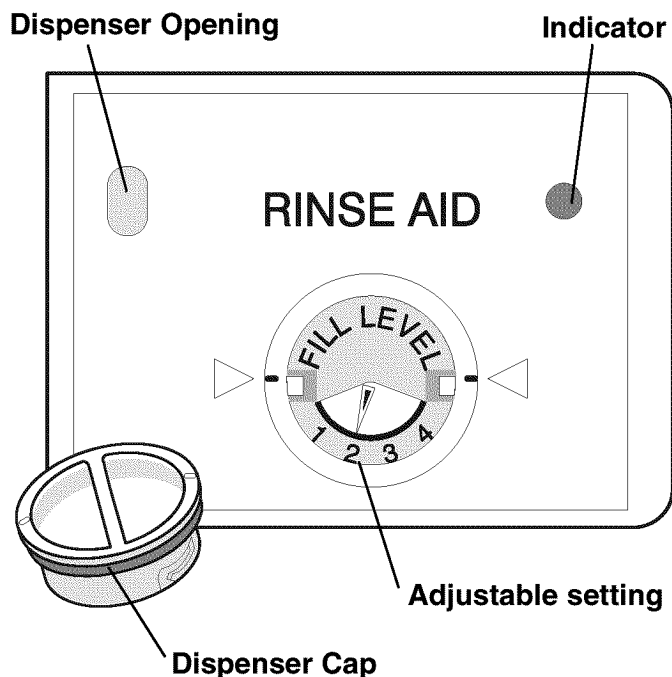
Rinse aid greatly improves drying and reduces water spots and filming. Water “sheets” off dishes rather than forming water droplets that cling and leave spots.

A dispenser, located next to the detergent cup, automatically releases a measured amount of rinse aid during the last rinse. If spotting and poor drying are problems, increase the amount of rinse aid dispensed by rotating the dial to a higher number. The dial is located under the dispenser cap. The indicator will be dark when full and will show clear when it is time to refill.

To add liquid rinse aid, turn dispenser cap 1/4 turn counterclockwise and lift out. Pour in rinse aid until liquid touches the indicated fill level. Replace cap.

Do not overfill since this can cause oversudsing. Wipe up any spills with a damp cloth.

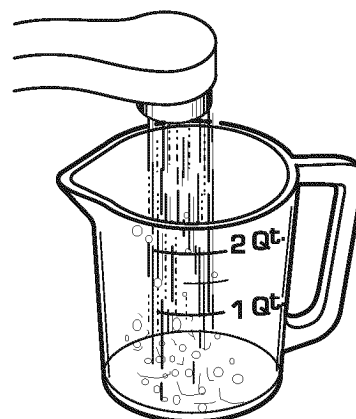
The dispenser holds enough for 35 to 140 washes, depending on setting.



Factors Affecting Performance

Water Pressure

Water pressure should be between 20 and 120 pounds per square inch. Low water pressure occurs most often during periods of high water consumption, such as when laundry or showers are being done. To determine if you have enough water pressure, put a 2 quart container under fully opened hot water faucet nearest the dishwasher. It should fill in less than 14 seconds. Be sure all other faucets are turned off during test.



Water Temperature

Hot water is needed for best dishwashing and drying results. Water entering dishwasher should be 120°F to give satisfactory results. Improved performance may be obtained by raising water temperature to 140°F. Water temperature should not exceed 160°F. Check your water heater for proper temperature.


To check water temperature entering dishwasher, turn on hot water faucet nearest dishwasher for several minutes to clear cool water from water pipes. Place a glass under faucet and use a candy or meat thermometer to check temperature of the water collected.

If temperature is below 120°F (49°C), have a qualified person raise the hot water heater thermostat setting.

Do not operate the dishwasher during or just after other heavy use of hot water, such as laundry or bathing.

Important: Before starting a cycle, run hot water through faucet to clear cool water from pipe.

Care and Cleaning

| ⚠ WARNING | |
|-----------------------------------------------------------------------------------|----------------------------------------------------------------------------------------------------------------------------|
|  | Burn Hazard Allow heating element to cool before cleaning the interior. Failure to do so can result in burns. |

Outside—Occasionally wash with a mild nonabrasive detergent and water. Rinse and dry.

Inside—The inside of the dishwasher is self-cleaning with normal use.

If hard water causes lime deposit buildup, clean using the following instructions:

1. After dishwasher begins to fill, open door and pour 2 cups of white vinegar into dishwasher. **Do not add dishes or detergent.**

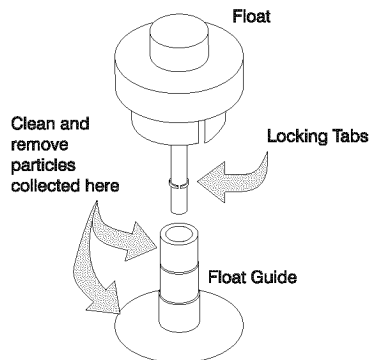
2. Run through any full wash cycle.

If it is felt that further interior cleaning is needed, general household spray cleansers are recommended. Follow manufacturer's directions.

Important: The dishwasher motor is permanently lubricated at the factory and does not need to be oiled.

Float—is used to measure water level in dishwasher. See page 4 for location.

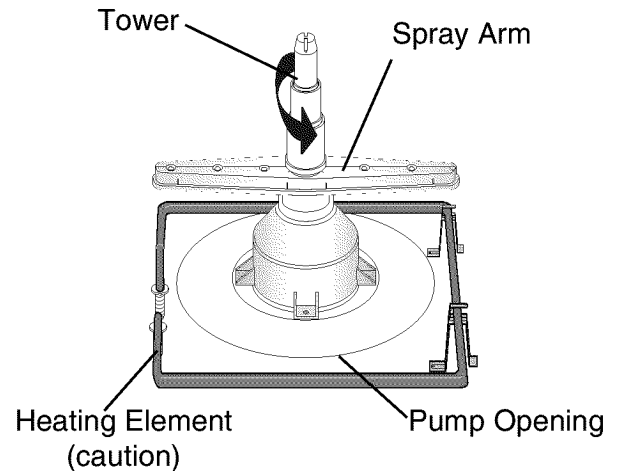
- Clean float with household cleanser containing vinegar or bleach to dissolve any buildup. Cleaning will prevent float from sticking and stopping a water fill or allowing dishwasher to overflow.



- Pull up firmly to lift float out. Clean around areas shown in illustration.
- To replace float, push down until float locks into place.
- Float should move up and down freely about one inch when replaced on tube.

Cleaning the Pump and Spray Arm

Your dishwasher will flush away all normal food soils. However, objects (bones, fruit pits, etc.) may collect in openings and should be removed periodically to avoid clogging drain system.



1. Remove tower base by turning counterclockwise.
2. Remove locknut and spray arm.
3. Clean out spray arm holes.
4. Clean in and around pump openings.
5. Replace spray arm and securely tighten locknut. Spray arm should rotate freely.
6. Replace tower base.

Care of Drain Air Gap

If a drain air gap was installed for your built-in dishwasher, check to make sure it is clean so the dishwasher will drain properly. Drain air gaps are usually mounted on countertop and can be inspected by removing the cover. A drain air gap is not part of your dishwasher and is not covered by this warranty.

Care and Cleaning continued

⚠ CAUTION

Property Damage Hazard

Freezing temperatures may cause water lines to rupture. Be sure all supply lines to and circulating lines within dishwasher are protected.

Failure to do so could result in property damage.

Winterizing

A dishwasher that will not be used for an extended length of time or is located where temperatures may fall below freezing must be winterized.

Winterizing the Built-in Dishwasher

1. Turn off water supply.
2. Pour one gallon of nontoxic RV or Marine water system antifreeze (available from a hardware or recreational vehicle store) into bottom of tub.
3. Set for any wash cycle. Close door. Allow dishwasher to run for 3 minutes to distribute antifreeze into dishwasher's water system.

Before unit is put back into use, antifreeze must be removed. To remove, fill both detergent cups with dishwasher detergent and operate through a complete normal cycle *without* dishes.

Winterizing the Portable/Convertible Dishwasher

1. Connect coupler and hose assembly to faucet. **Do not** turn on water.
2. Plug the electrical cord into a properly grounded electrical outlet.
3. Pour one gallon of nontoxic RV or Marine water system antifreeze (available from a hardware or recreational vehicle store) into bottom of tub.

4. Set for any wash cycle. Close door. Allow dishwasher to run for 3 minutes. This will distribute antifreeze into dishwasher's water system.
5. Unplug the electrical cord.
6. Disconnect hoses from water supply and drain water from hoses. Return hoses to storage compartment.

Before unit is put back into use, antifreeze must be removed. To remove, fill both detergent cups with dishwasher detergent and operate through a complete normal cycle *without* dishes.

Vacation Time

If your dishwasher will not be used for more than one week, turn off water supply to dishwasher. Turn dishwasher circuit breaker to "OFF" position.

Installing Wood Panels

A panel of up to 3/16" thickness may be used in place of the panels furnished with your dishwasher. You will need a wood decorator trim kit. Call **1-800-FON-PART** (1-800-366-7278) to order kit number 154422801.

Note: Door springs will need to be adjusted to balance weight of panels. See the Installation Instructions.

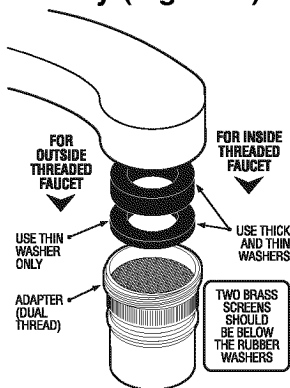
Door and Access Panel Dimensions

| | |
|---------------|---------------------|
| Door Panel: | 17 7/16" x 17 5/16" |
| Access Panel: | 17 7/16" x 6 1/2" |

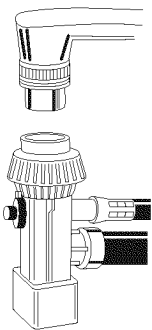
Connecting and Disconnecting the Portable/Convertible Dishwasher

The portable/convertible dishwasher must be connected to a faucet and electrical outlet each time it is used. Follow directions on this page to properly connect dishwasher.

Faucet Adapter Assembly (Figure A)

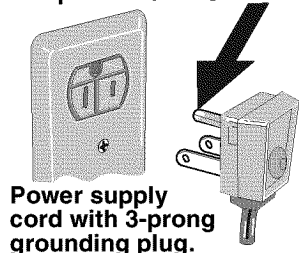


Connecting the Portable Faucet Adapter Assembly (Figure B)



| | |
|------------------|---------------------------------------------------------------------------------------------------------------------------------------------------------------------------------------------------------------------------------------------------------|
| ⚠ WARNING | |
| | <p>Electric Shock Hazard Avoid fire hazard or electrical shock. Do not use an adapter plug, extension cord or remove grounding prong from electrical power cord. Failure to follow this warning can cause serious injury, fire or death.</p> |

Do not under any circumstances cut, remove or bypass the grounding prong from this plug.



Power supply cord with 3-prong grounding plug.

IMPORTANT: Make sure door is latched before moving dishwasher.

The power cord, faucet coupler and hoses are located in a compartment in back of dishwasher. A special adapter must be installed on faucet before you can connect dishwasher (Figure A).

1. Remove faucet adapter assembly from literature package.
2. Unscrew existing sink faucet aerator.
3. Check faucet spout to see if threads are inside or outside.
 - If threads are on *inside* of faucet spout, use both thick and thin rubber washers.
 - If threads are on *outside* of faucet spout, use thin rubber washer only.
 - If faucet has no threads, an adapter kit with instructions for attachment to a non-threaded spout is available at most hardware stores.
4. Assemble faucet spout as shown in Figure A. Make sure the two brass screens are located below the rubber washers.

Connecting the Portable/Convertible Dishwasher

1. Run water at faucet until it is hot. Turn off faucet.
2. Pull hoses out of compartment.
3. Push collar down and slip faucet connector onto faucet adapter (Figure B).
4. When connector snaps into place, release collar.
5. Slowly turn on hot water all the way.
6. Plug power cord into grounded outlet.

Disconnecting the Portable/Convertible Dishwasher

1. When cycle has finished, turn off hot water.
2. Press red button on coupler to release water pressure.
3. Press down on collar to release coupler.
4. Empty remaining water from coupler and return it to compartment.
5. Unplug power cord and return it to compartment.

IMPORTANT: A sink spray hose can burst due to constant water pressure while in use. If your spray hose is installed on same water line as the dishwasher, it is your responsibility to disconnect sink's spray hose and to plug hole.

Electrical Connection for a Portable/Convertible Dishwasher

An electrical supply of 120 volts, 60 Hz, AC only, 15 amps is required. For your safety, the dishwasher must be grounded. If there is a malfunction or breakdown, grounding will reduce risk of electrical shock. This dishwasher has a power cord with a 3-prong grounding plug. It must be plugged into a mating 3-prong grounding type receptacle, installed and grounded in accordance with the National Electrical Code and any local codes and ordinances.

To Convert a Portable Model to a Built-in

Your portable dishwasher can be installed under the counter. A conversion kit is required and is available at your Sears Service Center - Part No. 154400101.

IMPORTANT: Do not use the portable water supply hose for permanent installation. It may burst. Complete instructions are in the conversion kit.

Common Dishwashing Problems and Solutions

Dishes not clean—Check pages 5 to 9 for information on correct wash cycle, proper loading, water temperature, water pressure, hard water, amount of detergent, old and ineffective detergent, and dish placement.

Dishes not drying can be greatly improved by using a rinse aid and very hot water. Hot water raises temperature of dishes to speed up drying. When loading, invert cups and bowls so that water can run off. Avoid nesting of articles. If dishes are not completely dry at end of cycle (which may occur when NO HEAT DRY setting is used), open door, roll out racks, and allow dishes to air dry.

Spotting—Spots form when hard water droplets evaporate leaving a deposit. Low phosphate detergents increase the problem in hard water. To prevent, use hot water and a detergent with a higher level of phosphates (preferably 8.7% or higher), or use more of a low phosphate detergent. Be sure to use a rinse aid. If water is very hard, it may be necessary to install a water softener. Load glasses and plates so they have minimum contact with racks and pins. Avoid overloading. Spotting will occur where dishes and glasses touch.

Cloudy films and streaking are usually caused by a combination of hard water and an insufficient amount of detergent. Low phosphate detergents are also a factor. To correct, increase amount of detergent, check water temperature and always use a rinse aid. If water is very hard, it may be necessary to install a water softener.

Etched film on glassware is caused by using too much detergent in soft or softened water. This film cannot be removed. It is more likely to occur on soft leaded glass or expensive crystal. An early warning of this condition is a cloudy iridescent appearance on glasses. To prevent, be sure dishwasher is getting a full fill of water. Water should reach base of heating element. If water level is low, have water pressure checked by a plumber. Use less detergent and make sure water temperature is not higher than 150°F (66°C). Underload to assure thorough rinsing. Use the NO HEAT DRY option.

Chipped dishes and glasses can result from rough handling and improper loading. Do not put glasses in direct contact with other items. Place glasses securely against pins.

Crazing of older china and pottery happens when items are subjected to very hot water. Once crazing (fine cracks in the glaze) appears, it cannot be removed. Do not machine wash again or condition may worsen.

Coffee and tea stains can occur when water contains traces of iron. To avoid stains, rinse cups out immediately after use. Increase amount of detergent and use a rinse aid. Water temperature should be approximately 140°F (60°C). If problem persists, install a water softener with an iron removal unit. To remove stains, hand wash cups in solution of 1/2 cup (120 ml) bleach and a quart (1 L) of warm water. Rinse thoroughly.

Gray-black stains on dishes are caused by manganese in water supply. To correct, install a manganese filtering system into house water supply.

Reddish-brown stains on dishes, glasses and interior are caused by iron in water. To avoid iron stain, increase detergent, use water heated to approximately 140°F (60°C) and a rinse aid. It may be necessary to install a water softener with an iron removal unit. To improve appearance, use a commercial rust and lime scale remover.

Plastic items can lose their shape due to high temperatures of automatic dishwashing. Read labels before washing. Place washable items in top rack away from heating element.

Discoloration of plasticware by some foods, such as tomato sauce, can stain plasticware. If stained, soak item in solution of 1 tablespoon dishwasher detergent and a quart of hot water or in a solution of 1/2 cup (120 ml) bleach and a quart of hot water.

Fading of patterns and metallic trim is due to many washings, detergent and hot water. Most of today's china is dishwasher safe. Antique, handpainted china, and handpainted pottery should be washed by hand.

Common Dishwashing Problems and Solutions

continued

Do not place silver next to or touching stainless steel utensils in dishwasher silverware basket. This can cause pitting of stainless steel blades. (Most silver knives have stainless steel blades. Do not let blades touch other stainless steel utensils during wash cycle.)

Tarnish on silver plate occurs when worn down to the base metal and turns a bronze color when exposed to hot water and detergent. Remove bronzing by soaking item in vinegar for 10 minutes or use a silver polish. For permanent protection, have silver replated.

Silver tarnish can be caused by prolonged contact with air or with foods containing sulphur like eggs, mayonnaise, or seafood. Contact with undissolved detergent can also cause tarnish. To prevent this, rinse silver soon after use. Use care not to pour detergent directly onto silver. Remove tarnish with a silver polish.

Discoloration of stainless steel—Food soil can create a film or discoloration. To avoid, rinse stainless items promptly. Food soil films can be removed with a stainless steel cleanser or mild cleanser. Rinse thoroughly.

Pitting of stainless steel is caused by prolonged contact with detergent granules and foods like salt, mayonnaise, fruits, butter or milk. To prevent, rinse soon after use. Do not allow detergent to fall directly onto stainless steel items.

Discoloration of aluminum—Anodized (colored) aluminum cannot withstand machine washing. Resulting loss of color is permanent. Other aluminum may darken when machine washed. To decrease chance of discoloration, do not place aluminum directly beneath detergent dispenser. To brighten darkened items, scour with soap filled steel wool pads. For severely darkened pans, simmer an acidic food or a solution of 2 teaspoons (10 ml) cream of tartar per quart (1 L) of water for 1/2 hour. Scour with soap filled steel wool pad, rinse and dry.

Knife handles become loose when the cement is exposed to very hot water. Test wash a single knife for several weeks. Damaged knives should be professionally re-cemented.

Troubleshooting

Before calling for service, review this list. It may save you both time and expense. This list includes common experiences that are not the result of defective workmanship or material.

Noise problems?

It is normal to hear swishing and pulsating sounds. These sounds mean that water is circulating through the dishwasher.

It is normal to hear motor sounds before water enters tub.

Loud ticking usually means something is hitting wash arm. See **Preparing and Loading Dishes**.

Vibrating or rattling sounds can mean dishes are touching each other. See **Preparing and Loading Dishes**.

Operating problems?

Be sure door is firmly closed. It is normal for dishwasher to pause between cycles.

Leaking?

Check for items sticking out of dishwasher that could prevent door from closing and sealing properly. Use only fresh dishwashing detergent to avoid oversudsing.

Water coming through door vents? When a dish is added after starting dishwasher, wait a few seconds before latching door. This permits entering cold air to expand slowly inside dishwasher.

Dishes not dry?

Check to see if rinse aid dispenser needs refilling. Hot water temperature may be too low (min. 120°F 49°C). If NO HEAT DRY option is being used, additional drying time may be required with door open.

Water in tub?

A small amount of water in bottom of tub is normal. It keeps water seal lubricated.

Detergent left in cup?

Detergent may be too old. Discard old detergent. Use fresh detergent.

Dishes may not be loaded properly. Be sure items do not protrude from front of bottom rack preventing detergent cup from opening.

SEARS



Full One Year Warranty on Dishwashers

For one year from the first day of installation, Sears will repair, free of charge, defects in materials or workmanship.

Ten Year Warranty Against Leaks in the Tub and Inner Door Panel

For ten years from the first day of installation, if a leak should occur as a result of failure of the polypropylene tub or inner door panel due to cracking, chipping or peeling, Sears will replace, free of charge, the tub or inner door panel. **Note:** Year two through ten parts only coverage for tub or inner door panel.

No warranty for commercial usage.

Warranty Service is available by contacting the nearest Sears Service Center in Canada.

For parts and service call toll free **1-800-4-MY-HOME**® (1-800-469-4663).

This warranty applies only while the product is in use in Canada.

This warranty gives you specific legal rights, and you may also have other rights which vary from province to province.

**SEARS CANADA INC.
222 Jarvis Street
Toronto, Ontario M5B 2B8**

ENGLISH

COVERS PRODUCT SOLD IN CANADA ONLY

Get it fixed, at your home or ours!

Your Home

For repair – **in your home** – of **all** major brand appliances, lawn and garden equipment, or heating and cooling systems, **no matter who made it, no matter who sold it!**

For the replacement parts, accessories and owner's manuals that you need to do-it-yourself.

For Sears professional installation of home appliances and items like garage door openers and water heaters.

1-800-4-MY-HOME® (1-800-469-4663)

Call anytime, day or night (U.S.A. and Canada)

www.sears.com

www.sears.ca

Our Home

For repair of carry-in products like vacuums, lawn equipment, and electronics, call or go on-line for the location of your nearest **Sears Parts & Repair Center.**

1-800-488-1222

Call anytime, day or night (U.S.A. only)

www.sears.com

To purchase a protection agreement on a product serviced by Sears:

1-800-827-6655 (U.S.A.)

1-800-361-6665 (Canada)

Para pedir servicio de reparación a domicilio, y para ordenar piezas:

1-888-SU-HOGARSM

(1-888-784-6427)

Au Canada, pour service en français:

1-800-LE-FOYER^{MC}

(1-800-533-6937)

www.sears.ca

