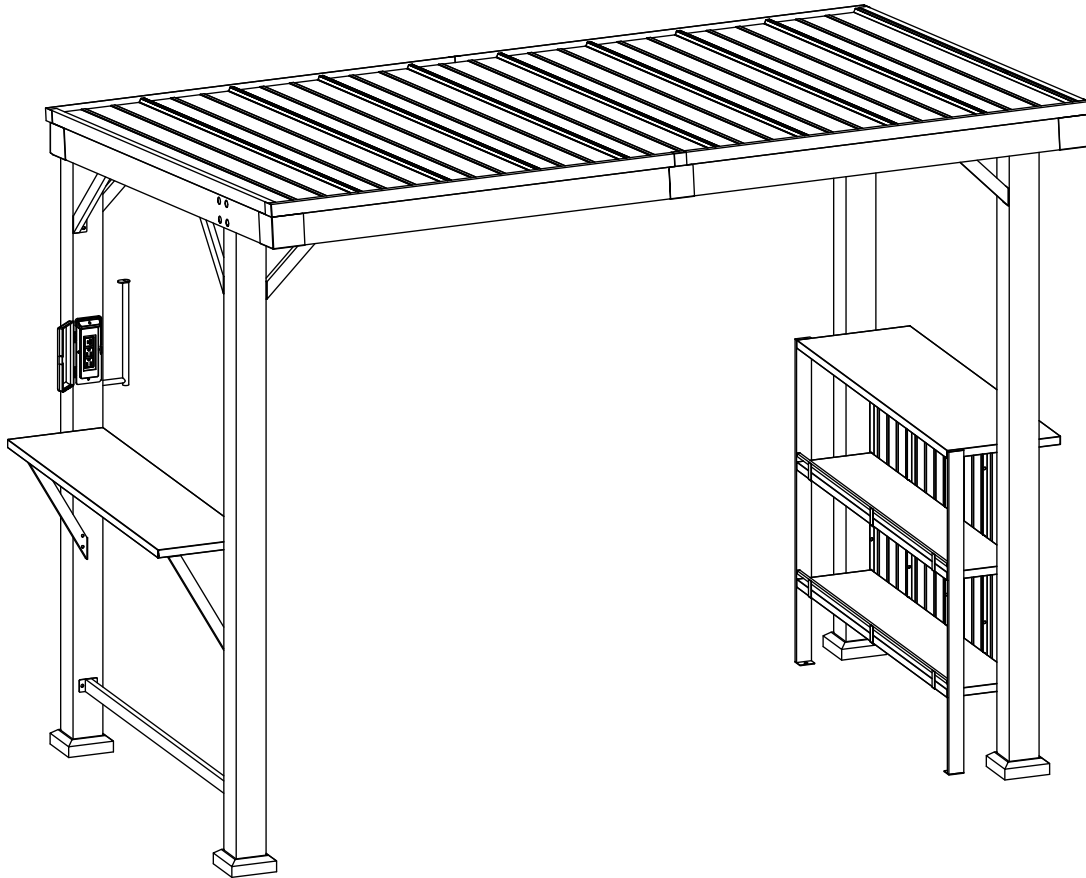


**MODEL: IG10600150-610**

**ITEM #2723028**



OWNER'S MANUAL

## 6' x 10' Hardtop Bar & Grill Pavilion

### TABLE OF CONTENTS

ASSEMBLY GUIDE.....	02
USING YOUR PRODUCT.....	05

October 29, 2025

### QUESTIONS?



E-mail: [support@modernshade.org](mailto:support@modernshade.org)



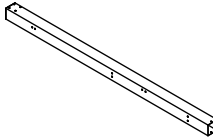
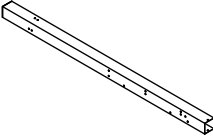
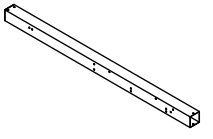
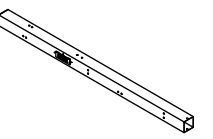
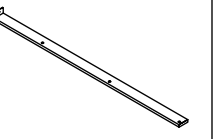
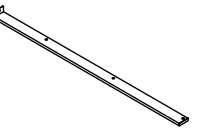
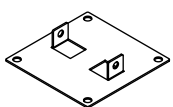
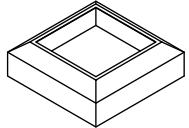
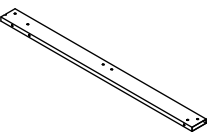
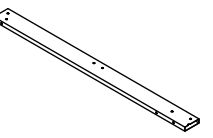
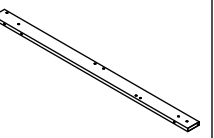
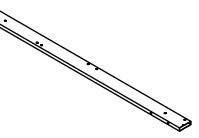
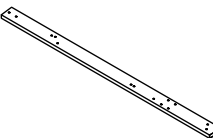
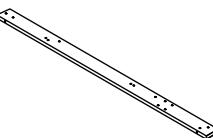
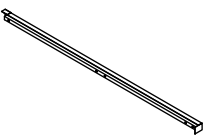
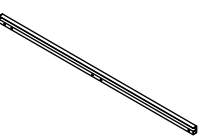
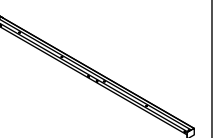
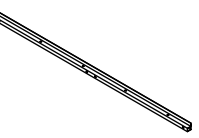
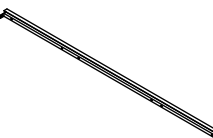
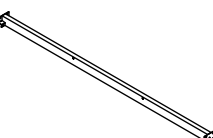
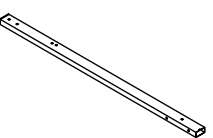
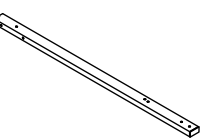
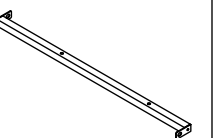
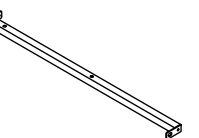
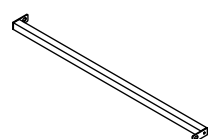
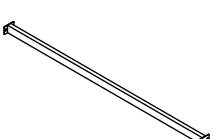
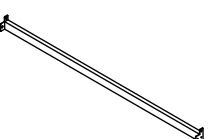
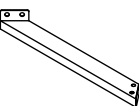
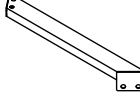
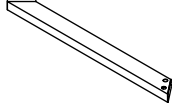
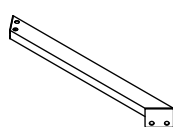
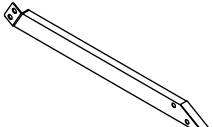
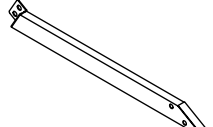
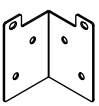
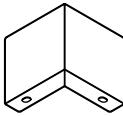
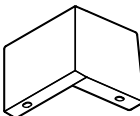
Toll Free Number: 1-888-666-3070

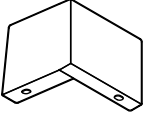
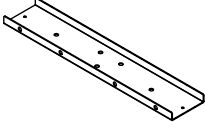
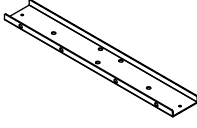
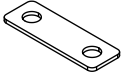
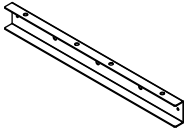
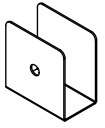

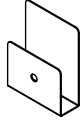
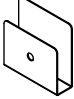
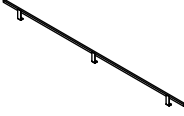
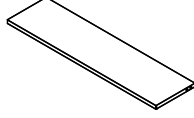
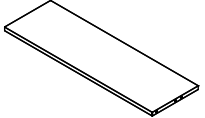
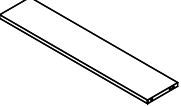
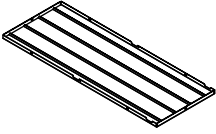
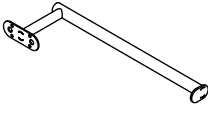
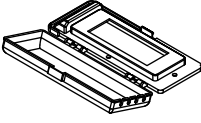
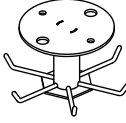



Mon-Fri: 9:00 AM - 5:00 PM PST.


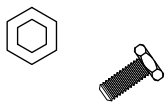
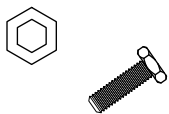
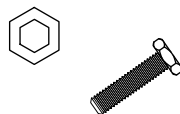
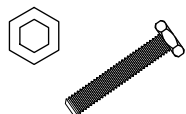

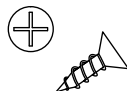



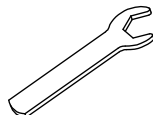

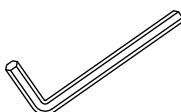
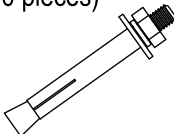
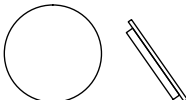
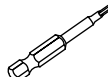
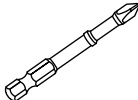
# ASSEMBLY GUIDE

## PARTS LIST

<b>A1</b> Post 1 (1 piece) 	<b>A2</b> Post 2 (1 piece) 	<b>A3</b> Post 3 (1 piece) 	<b>A4</b> Post 4 (1 piece) 	<b>A5</b> Post 5 (1 piece) 	<b>A6</b> Post 6 (1 piece) 
P0010009401	P0010009501	P0010009601	P0010009701	P0010009801	P0010009901
<b>B4</b> Foot Base 4 (4 pieces) 	<b>C2</b> Foot Cover 2 (4 pieces) 	<b>D1</b> Cross Beam 1 (1 piece) 	<b>D2</b> Cross Beam 2 (1 piece) 	<b>D3</b> Cross Beam 3 (1 piece) 	<b>D4</b> Cross Beam 4 (1 piece) 
P0020000202	P0030000202	P0040021201	P0040021301	P0040021401	P0040021501
<b>D5</b> Cross Beam 5 (1 piece) 	<b>D6</b> Cross Beam 6 (1 piece) 	<b>E1</b> Roof Border 1 (1 piece) 	<b>E2</b> Roof Border 2 (1 piece) 	<b>E3</b> Roof Border 3 (1 piece) 	<b>E4</b> Roof Border 4 (1 piece) 
P0040021601	P0040021701	P0090018801	P0090018901	P0090019001	P0090019101
<b>E5</b> Roof Border 5 (2 pieces) 	<b>F</b> Roof Rib (3 pieces) 	<b>G1</b> Reinforced Beam 1 (1 piece) 	<b>G2</b> Reinforced Beam 2 (1 piece) 	<b>H1</b> Roof Support 1 (2 pieces) 	<b>H2</b> Roof Support 2 (2 pieces) 
P0090019201	P0090018701	P0040021801	P0040021901	P0090019301	P0090019401
<b>H3</b> Roof Support 3 (4 pieces) 	<b>J1</b> Bottom Cross Beam 1 (1 piece) 	<b>J2</b> Bottom Cross Beam 2 (1 piece) 	<b>K1</b> Support Bracket 1 (3 pieces) 	<b>K2</b> Support Bracket 2 (3 pieces) 	<b>K3</b> Support Bracket 3 (1 piece) 
P0090019501	P0050009601	P0050009701	P0050010101	P0050010201	P0050010301
<b>K4</b> Support Bracket 4 (1 piece) 	<b>K5</b> Support Bracket 5 (1 piece) 	<b>K6</b> Support Bracket 6 (1 piece) 	<b>L1</b> Connector 1 (2 pieces) 	<b>L2</b> Connector 2 (2 pieces) 	<b>L3</b> Connector 3 (1 piece) 
P0050010401	P0050009801	P0050009901	P0060013801	P0110006501	P0110006601

<p><b>L4</b> Connector 4 (1 piece)</p> 	<p><b>L5</b> Connector 5 (1 piece)</p> 	<p><b>L6</b> Connector 6 (1 piece)</p> 	<p><b>L7</b> Connector 7 (4 pieces)</p> 	<p><b>L8</b> Connector 8 (1 piece)</p> 	<p><b>L9</b> Connector 9 (1 piece)</p> 
P0110006701	P0060013901	P0060014001	P0060014101	P0060014201	P0110006801
<p><b>L10</b> Connector 10 (3 pieces)</p> 	<p><b>L11</b> Connector 11 (1 piece)</p> 	<p><b>L12</b> Connector 12 (1 piece)</p> 	<p><b>M</b> Shield (2 pieces)</p> 	<p><b>N1</b> Shelf 1 (1 piece)</p> 	<p><b>N2</b> Shelf 2 (1 piece)</p> 
P0060014301	P0110006901	P0110007001	P0150004201	P0140001101	P0140001201
<p><b>N3</b> Shelf 3 (2 pieces)</p> 	<p><b>P</b> Side panel (4 pieces)</p> 	<p><b>Q</b> Paper Towel Rack (1 piece)</p> 	<p><b>R</b> Power Strip Cover (1 piece)</p> 	<p><b>S</b> Rotatable Rack (2 pieces)</p> 	<p><b>Z</b> Roof Plate (9 pieces)</p> 
P0140001301	P0150004101	P1000000901	P0260000101	P1000001001	P0130008799

## HARDWARE

<b>AA</b> Bolt M5*25 (18+1 pieces) 	<b>BB</b> Bolt M6*15 (13+1 pieces) 	<b>CC</b> Bolt M6*20 (169+8 pieces) 	<b>DD</b> Bolt M6*25 (6+1 pieces) 	<b>EE</b> Bolt M6*35 (36+2 pieces) 	<b>FF</b> Screw Nut M6 (6+1 pieces) 
H0008008138	H0008008001	H0008008036	H0008008102	H0008008116	H0008008039
<b>GG</b> Bolt M3*9 (4+1 pieces) 	<b>HH</b> M5 Flat washer (18+1 pieces) 	<b>JJ</b> M6 Flat washer (230+12 pieces) 	<b>KK</b> M5 Sealant Washer (8+1 pieces) 	<b>LL</b> Wrench M6 (2 pieces) 	<b>MM</b> M6 Allen Key with Screw Driver (1 piece) 
H0008008092	H0008008056	H0008008057	H0008008059	H0008008011	H0008008132
<b>NN</b> M6 Allen Key (1 piece) 	<b>PP</b> Concrete Anchor M6*60 (10 pieces) 	<b>QQ</b> Plastic Clip (12+1 pieces) 	<b>RR</b> M6 Hex drill bit (1 piece) 	<b>SS</b> Phillips drill bit (1 piece) 	
H0008008133	H0008008095	H0008008114	H0008008209	H0008008215	

### IMPORTANT:

This instruction manual contains important information necessary for the proper assembly and safe use of the product.

Read and follow all warnings and instructions before assembling and using the product.

Follow all warnings and instructions when using the product.

Keep this manual for future reference.

Installer/Assembler: leave these instructions with the consumer.

### SAFETY ALERT KEY

#### DANGER

Indicates a hazardous situation that, if not avoided, will result in death or serious injury.

#### WARNING

Indicates a hazardous situation that, if not avoided, could result in death or serious injury.

#### CAUTION

Indicates a hazardous situation that, if not avoided, could result in minor or moderate injury.

#### NOTICE

Indicates information considered important, but not hazard-related (e.g. messages related to property damage).

# ASSEMBLY INSTRUCTIONS

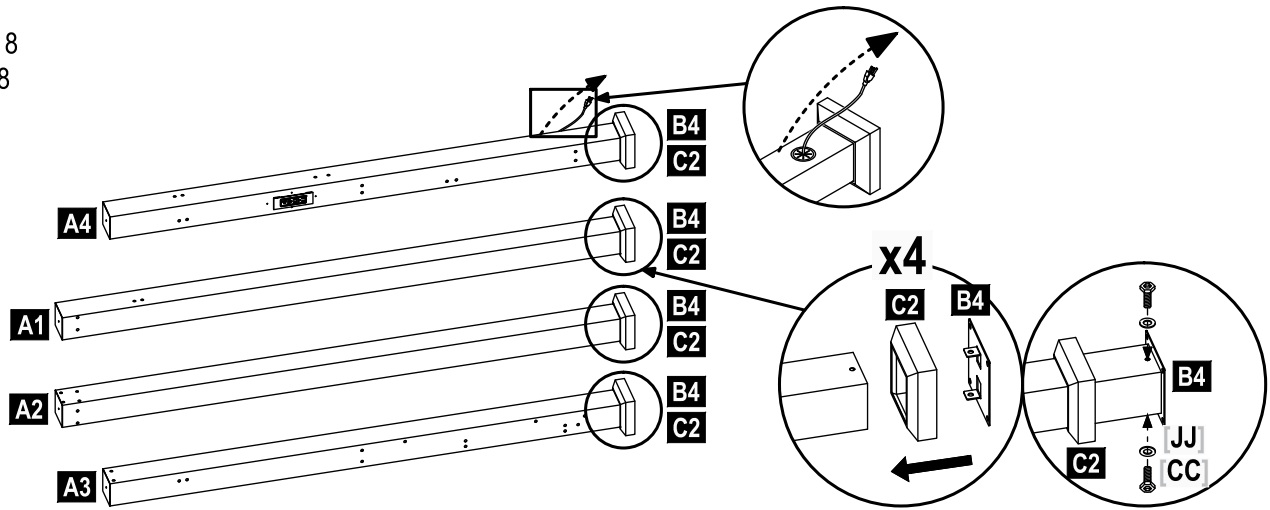
•Please carefully unpack each of the components and hardware. Check the components against the parts list and make sure there are no missing parts. Lay the pieces on cardboard or a soft mat to help protect the pieces from scratches.

**⚠ CAUTION**  
Watch for sharp edges when handling the pieces, and wear gloves to avoid injury.

- For ease of assembly, it is recommended to have 3 or more people and allow enough time to completely finish the assembly. Assembly can take 6-8 hours. A stepladder is required for assembly (not included).
- Follow the step-by-step instructions, and follow all safety warnings provided with your tools.
- DO NOT tighten screws until all the screws and washers are properly installed. Tighten screws securely, do not over tighten.
- Gazebo should not be used in inclement weather and high winds.

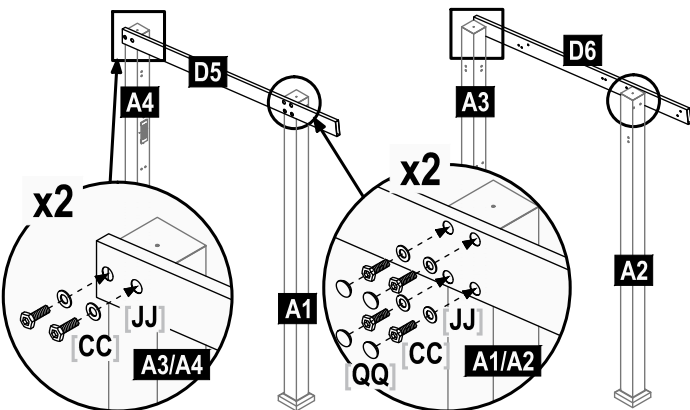
**STEP 01** Pull the electric cord out through the plug on Post **A4**. Slide Foot Cover **C2** and Foot Base **B4** onto Post **A1**, secure with two (2) **[CC]** bolts and two (2) **[JJ]** flat washers. Repeat with Post **A2**, **A3**, and **A4**.

**[CC]** x 8  
**[JJ]** x 8



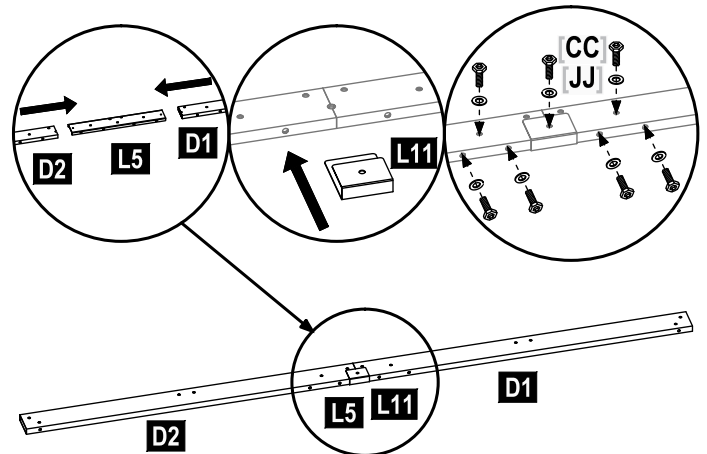
**STEP 02** Use two (2) **[CC]** bolts and two (2) **[JJ]** flat washers to attach one end of Cross Beam **D5** to Post **A4**. Use four (4) **[QQ]** plastic clip, four (4) **[CC]** bolts, and four (4) **[JJ]** flat washers to attach the other end of **D5** to Post **A1**. Repeat with Cross Beam **D6** with Post **A3** and **A2**.

**[CC]** x 12  
**[JJ]** x 12  
**[QQ]** x 8



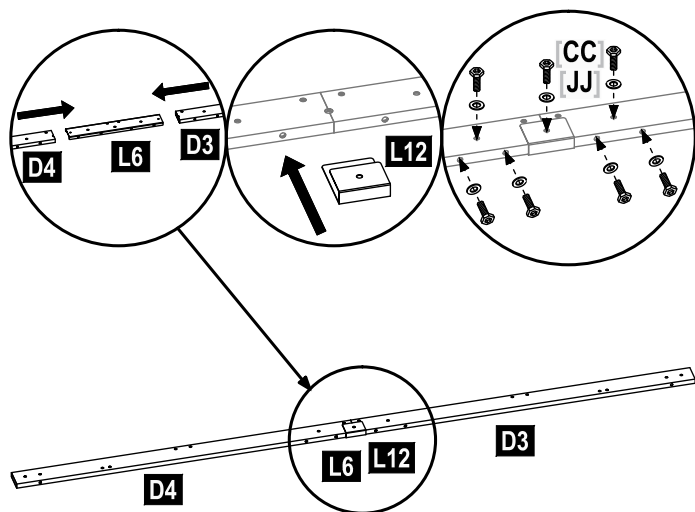
**STEP 03** Slide Cross Beam **D1** and **D2** onto Connector **L5**. Slide Connector **L11** onto the connection. Secure the assembly with seven (7) **[CC]** bolts and seven (7) **[JJ]** flat washers.

**[CC]** x 7  
**[JJ]** x 7



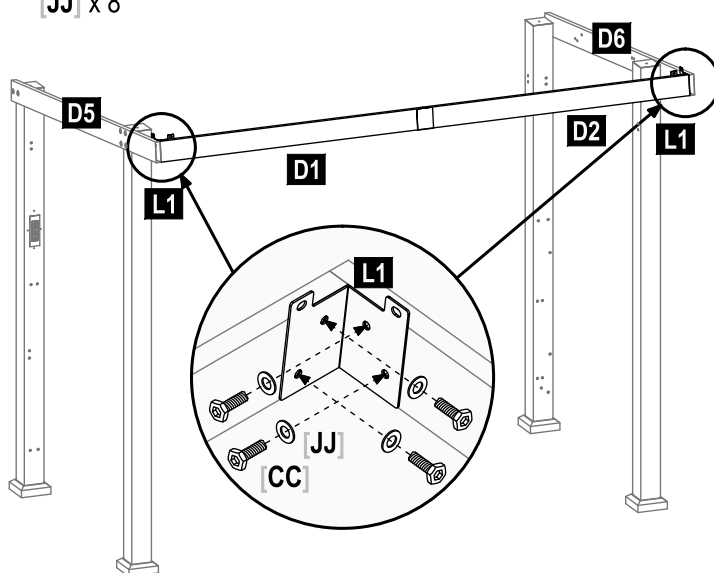
**STEP 04** Slide Cross Beam **D4** and **D3** onto Connector **L6**. Slide Connector **L12** onto the connection. Secure the assembly with seven (7) **[CC]** bolts and seven (7) **[JJ]** flat washers.

**[CC]** x 7  
**[JJ]** x 7



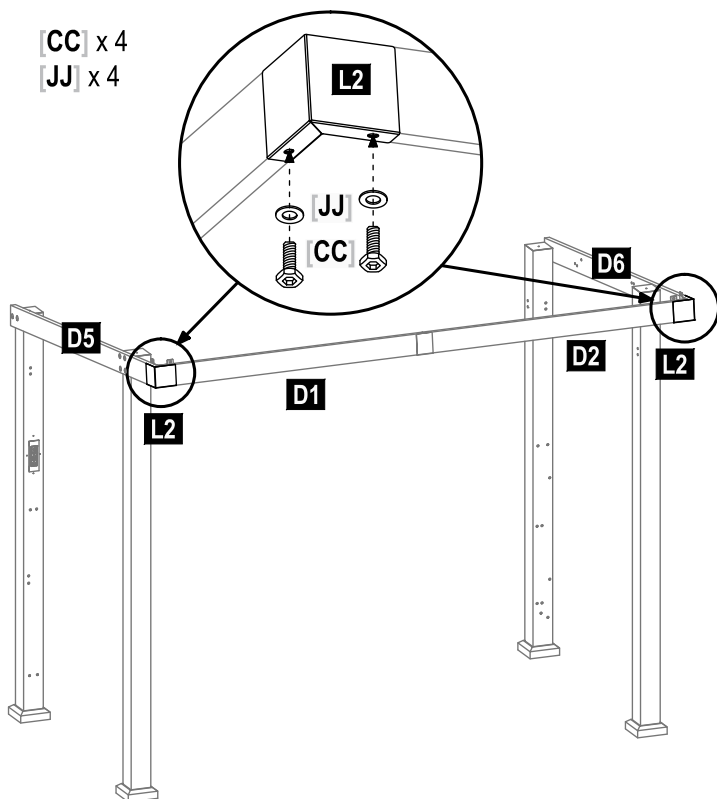
**STEP 05** Use four (4) **[CC]** bolts and four (4) **[JJ]** flat washers to attach Connector **L1** to one end of Cross Beam assembly **D1** and **D2** and Cross Beam **D6**. Repeat with the other Connector **L1** with the other end of assembly and Cross Beam **D5**.

**[CC]** x 8  
**[JJ]** x 8



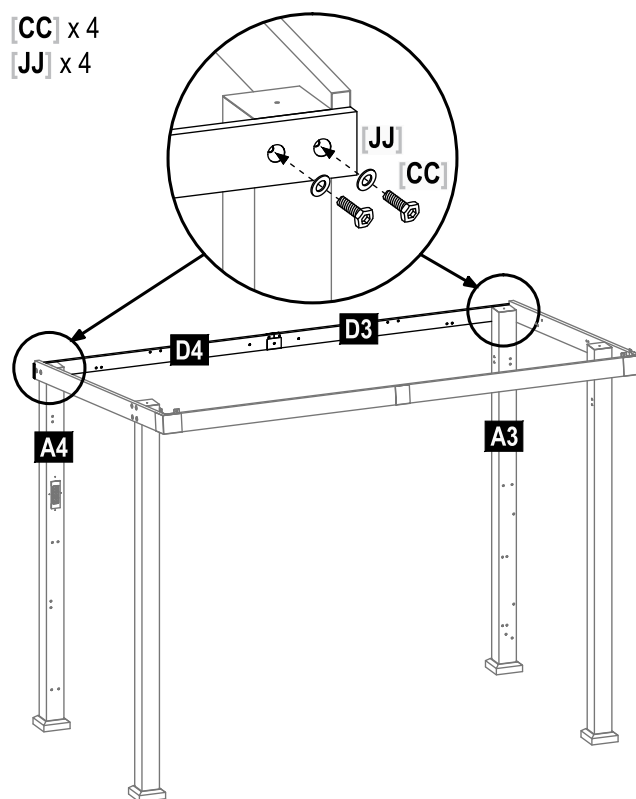
**STEP 06** Use two (2) **[CC]** bolts and two (2) **[JJ]** flat washers to attach one (1) Connector **L2** to the corner of Cross Beam **D1** and **D5**. Repeat with the other **L2** to **D2** and **D6**.

**[CC]** x 4  
**[JJ]** x 4



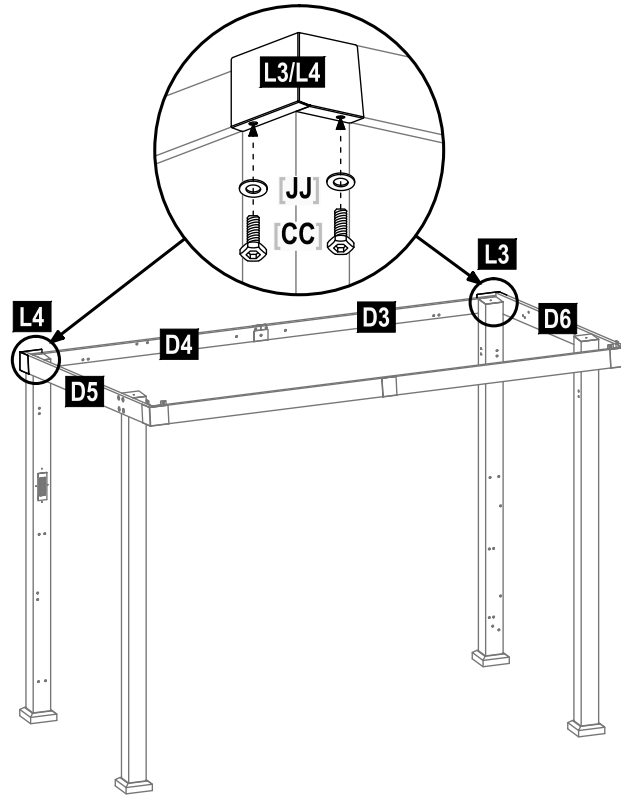
**STEP 07** Use two (2) **[CC]** bolts and two (2) **[JJ]** flat washers to attach each end of Cross Beam assembly **D3**, **D4** to Post **A3** and **A4**.

**[CC]** x 4  
**[JJ]** x 4

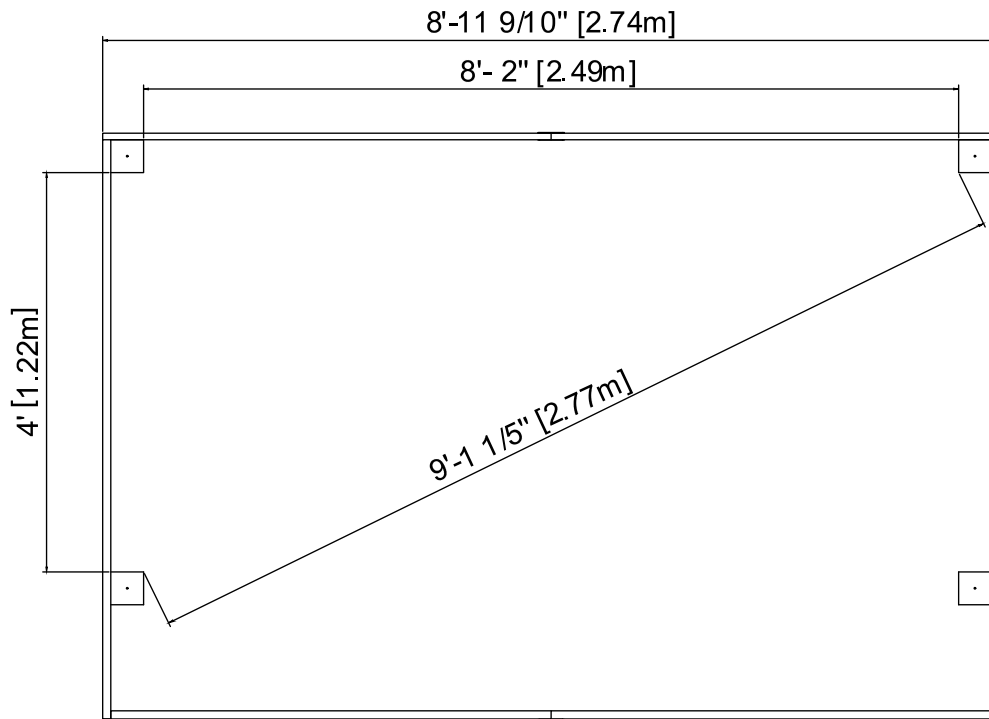


**STEP 08** Use two (2) [CC] bolts and two (2) [JJ] flat washers to attach one (1) Connector [L3] to the corner of Cross Beam [D3] and [D6]. Repeat with [L4] with [D4] to [D5].

[CC] x 4  
[JJ] x 4

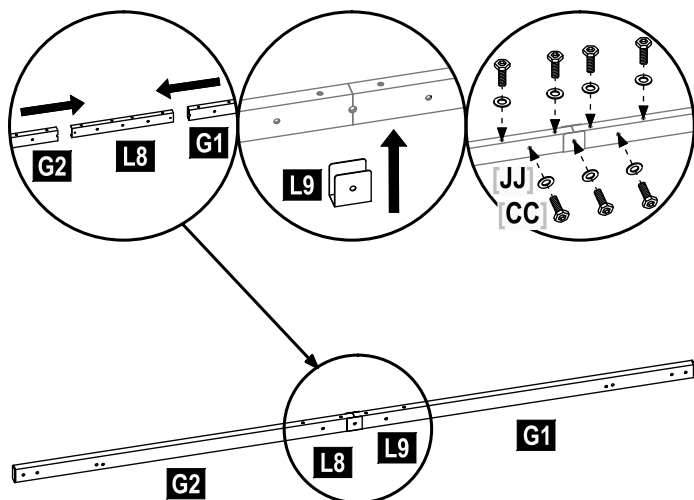


**STEP 09 CRITICAL: SQUARE UNIT BEFORE PROCEEDING TO NEXT STEPS. ONCE SQUARE, TIGHTEN ALL HARDWARE.**



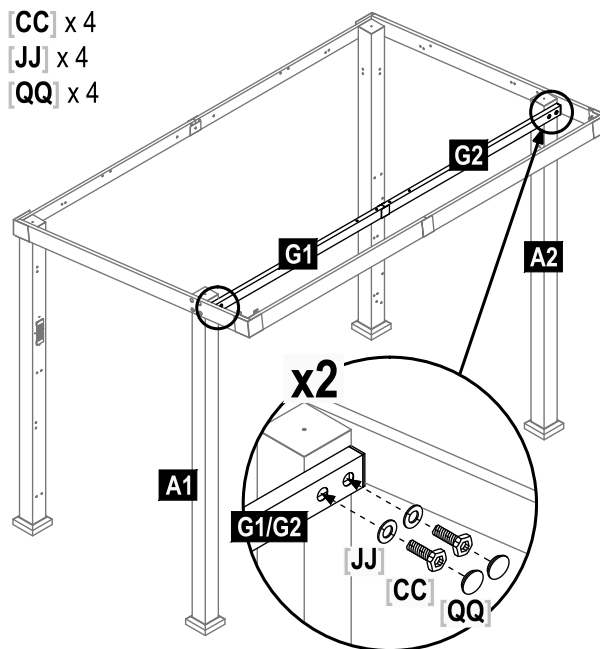
**STEP 10** Slide Reinforced Beam **G1** and **G2** onto Connector **L8**. Slide Connector **L9** onto the connection. Secure the assembly with seven (7) **CC** bolts and seven (7) **JJ** flat washers.

**CC** x 7  
**JJ** x 7



**STEP 11** Use two (2) **QQ** plastic clip, two (2) **CC** bolts, and two (2) **JJ** flat washers to attach each end of Reinforced Beam assembly **G1**, **G2** to Post **A1** and **A2**.

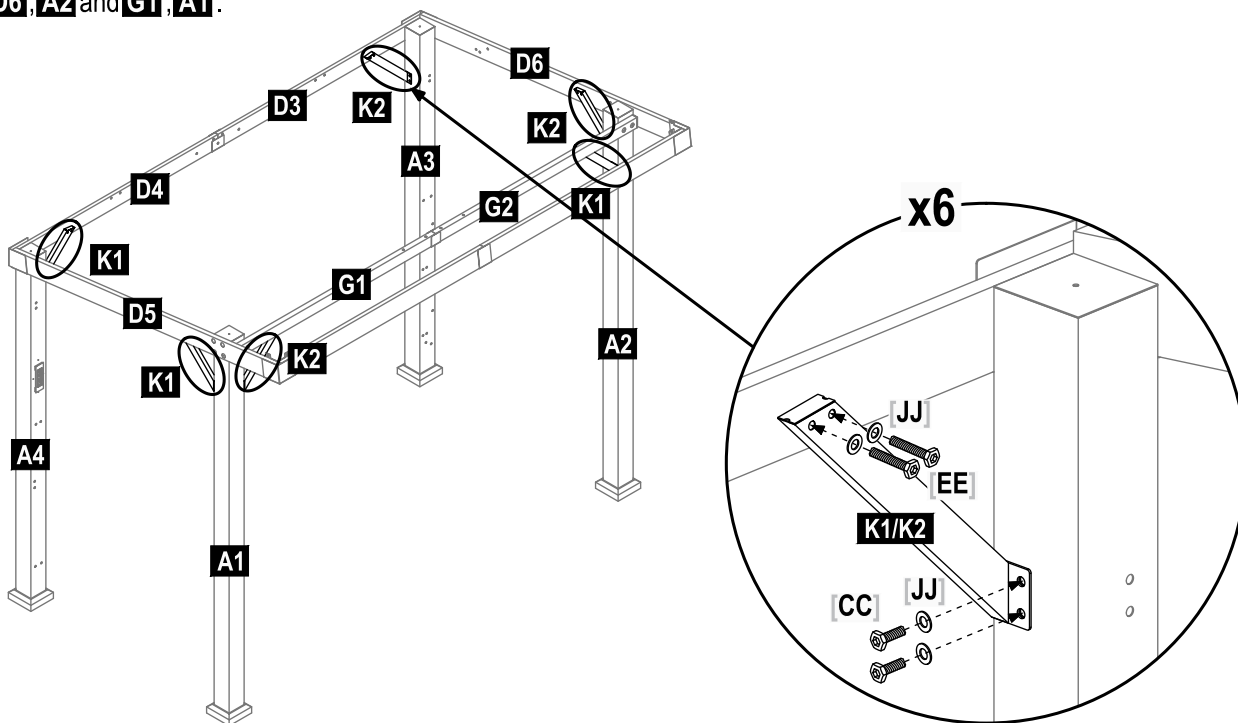
**CC** x 4  
**JJ** x 4  
**QQ** x 4



**STEP 12** Use two (2) **EE** bolts and two (2) **JJ** flat washers to attach the upper end of Support Bracket **K1** to Cross Beam **D4**. Use two (2) **CC** bolts and two (2) **JJ** flat washers to attach the lower end of Support Bracket **K1** to Post **A4**. Repeat with the other two (2) **K1** with sets of **D5**, **A1** and **G2**, **A2**.

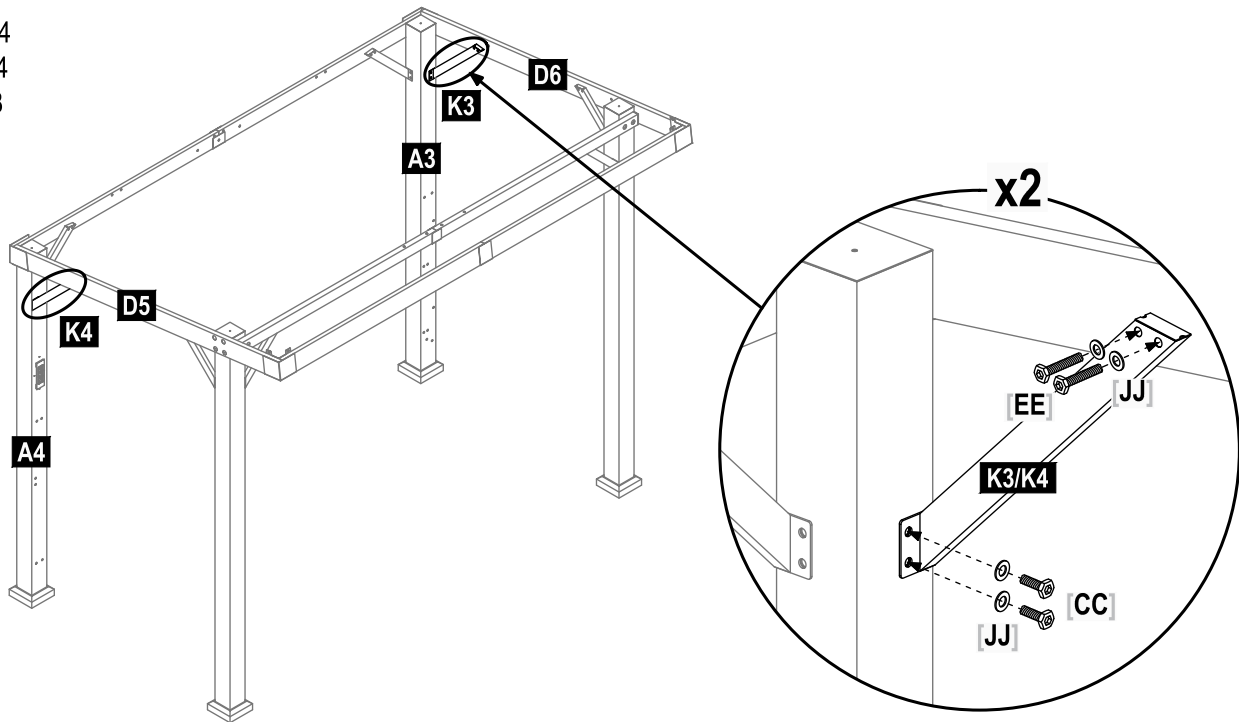
Use two (2) **EE** bolts and two (2) **JJ** flat washers to attach the upper end of Support Bracket **K2** to Cross Beam **D3**. Use two (2) **CC** bolts and two (2) **JJ** flat washers to attach the lower end of Support Bracket **K2** to Post **A3**. Repeat with the other two (2) **K2** with sets of **D6**, **A2** and **G1**, **A1**.

**CC** x 12  
**EE** x 12  
**JJ** x 24



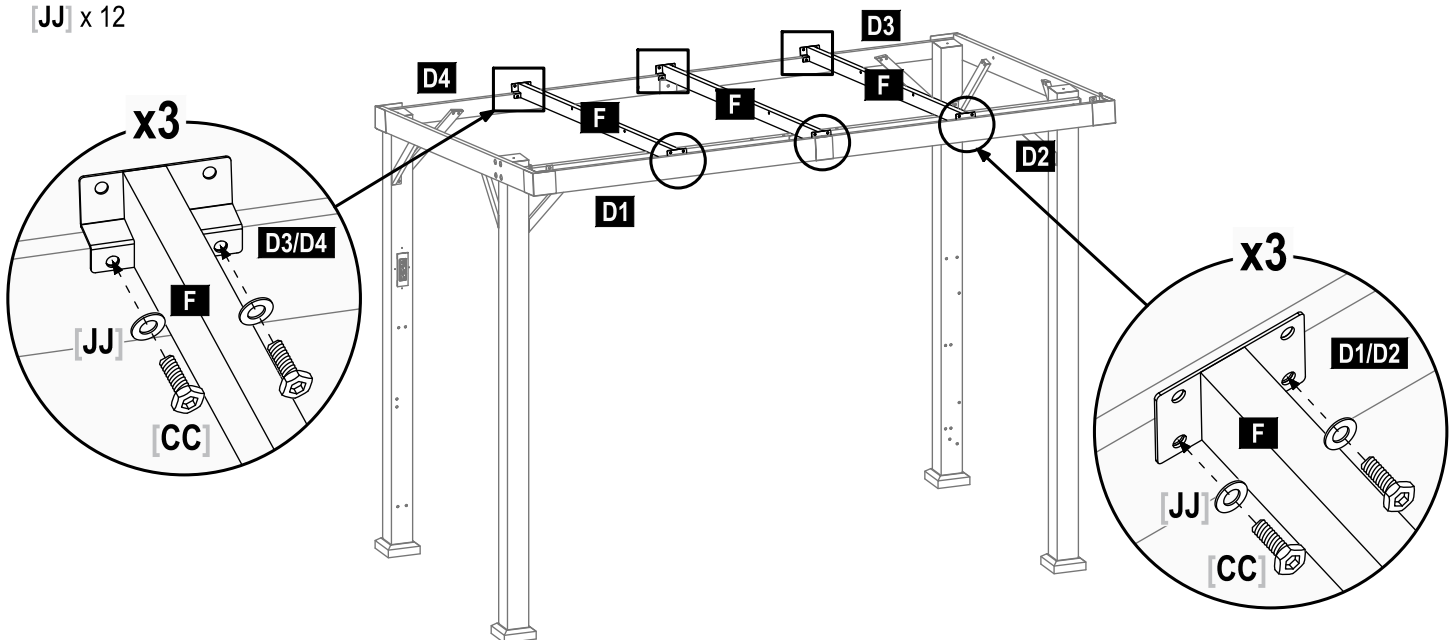
**STEP 13** Use two (2) [EE] bolts and two (2) [JJ] flat washers to attach the upper end of Support Bracket [K3] to Cross Beam [D6]. Use two (2) [CC] bolts and two (2) [JJ] flat washers to attach the lower end of Support Bracket [K3] to Post [A3]. Repeat with Support Bracket [K4] with set of [D5], [A4].

- [CC] x 4
- [EE] x 4
- [JJ] x 8



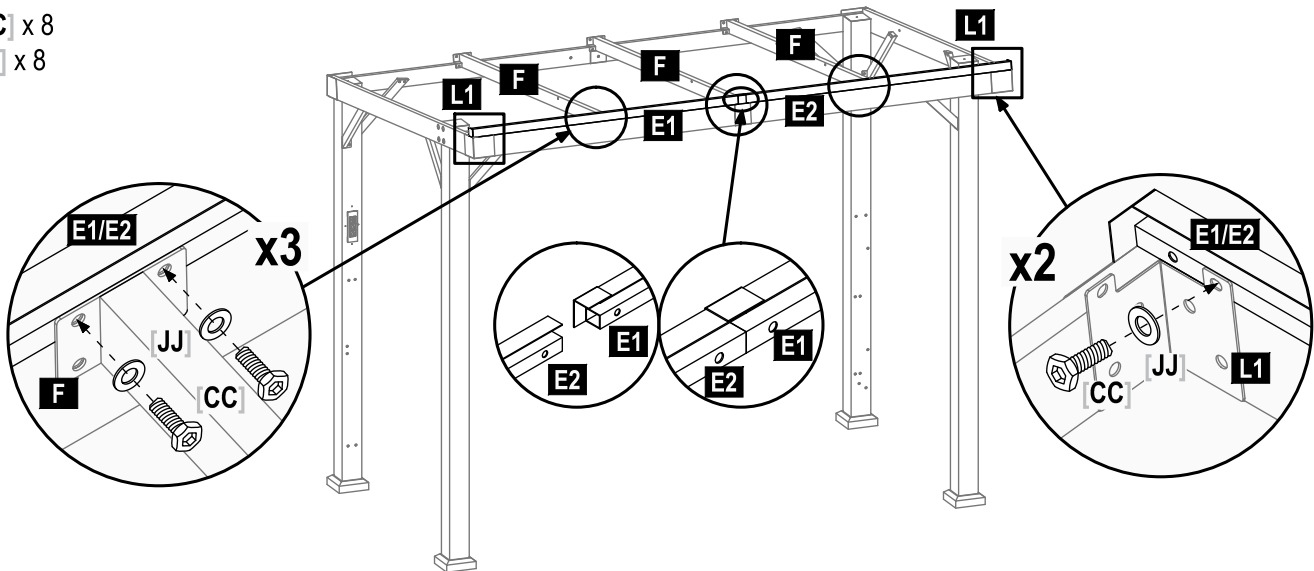
**STEP 14** Use two (2) [CC] bolts and two (2) [JJ] flat washers to attach each end (lower holes) of Roof Rib [F] to Cross Beam assembly [D1], [D2] and [D3], [D4]. Repeat with the other two (2) Roof Ribs [F].

- [CC] x 12
- [JJ] x 12



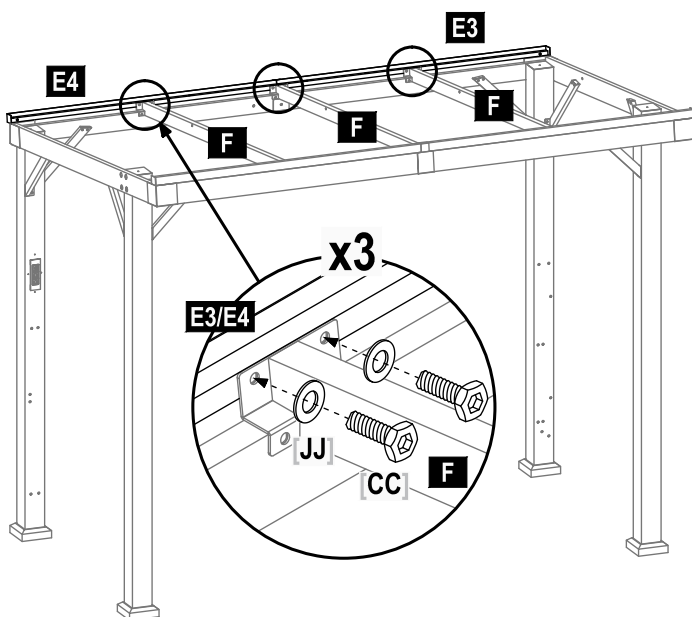
**STEP 15** Slide Roof Border **E2** into **E1**. Use two (2) **[CC]** bolts and two (2) **[JJ]** flat washers to attach one end (upper holes) of Roof Rib **F** to Roof Border assembly **E1, E2**. Repeat with the other two (2) **F**. Use one (1) **[CC]** bolt and one (1) **[JJ]** flat washers to attach each end of Roof Border assembly **E1, E2** to Connector **L1** on the corner.

**[CC]** x 8  
**[JJ]** x 8



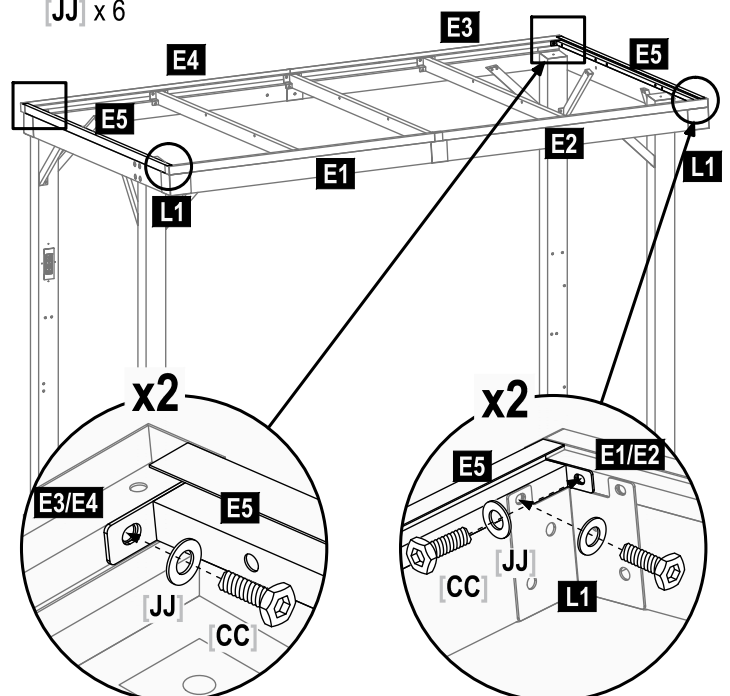
**STEP 16** Use two (2) **[CC]** bolts and two (2) **[JJ]** flat washers to attach one end (upper holes) of Roof Rib **F** to Roof Border **E3** and **E4**. Repeat with the other two (2) **F**.

**[CC]** x 6  
**[JJ]** x 6



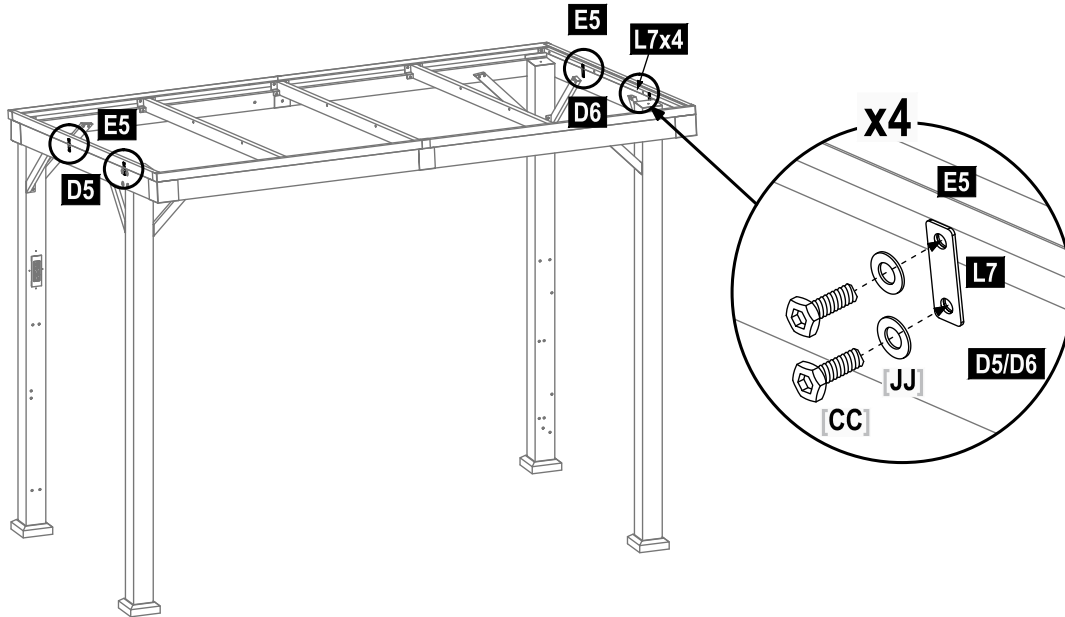
**STEP 17** Use one (1) **[CC]** bolt and one (1) **[JJ]** flat washers to attach one end of Roof Border **E5** to **E3**. Use two (2) **[CC]** bolts and two (2) **[JJ]** flat washers to attach the other end of **E5** to **E2**. Use one (1) **[CC]** bolt and one (1) **[JJ]** flat washers to attach one end of Roof Border **E5** to **E4**. Use two (2) **[CC]** bolts and two (2) **[JJ]** flat washers to attach the other end of **E5** to **E1**.

**[CC]** x 6  
**[JJ]** x 6



**STEP 18** Use two (2) [CC] bolts and two (2) [JJ] flat washers to attach one (1) Connector [L7] to Roof Border [E5] and Cross Beam [D5]. Repeat with the other three (3) [L7].

[CC] x 8  
[JJ] x 8

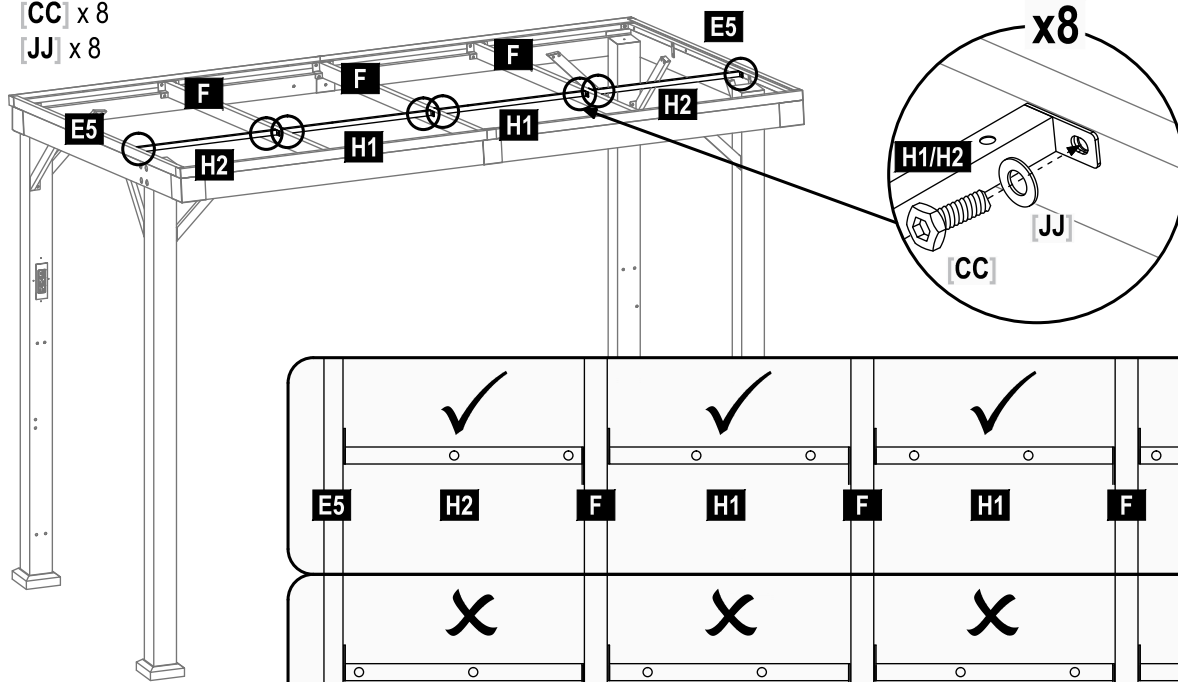


**STEP 19** Use two (2) [CC] bolts and two (2) [JJ] flat washers to attach one (1) Roof Support [H1] to Roof Rib [F]. Repeat with the other [H1].

Use two (2) [CC] bolts and two (2) [JJ] flat washers to attach one (1) Roof Support [H2] to Roof Rib [F] and Roof Border [E5]. Repeat with the other [H2].

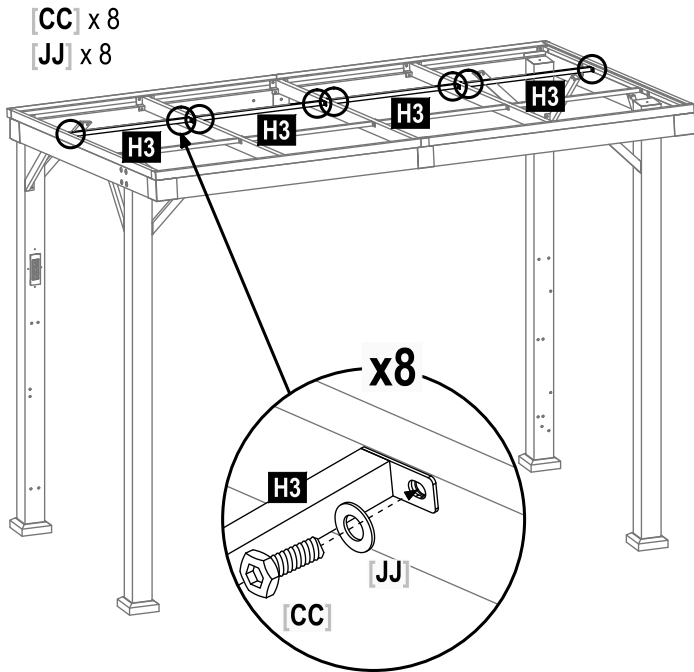
Ensure the placement matches the upper diagram with ✓ marks.

[CC] x 8  
[JJ] x 8



**STEP 20** Use two (2) [CC] bolts and two (2) [JJ] flat washers to attach one (1) Roof Support [H3] to Roof Rib [F]. Repeat with the other [H3].

Use two (2) [CC] bolts and two (2) [JJ] flat washers to attach one (1) Roof Support [H3] to Roof Rib [F] and Roof Border [E5]. Repeat with the other [H3].

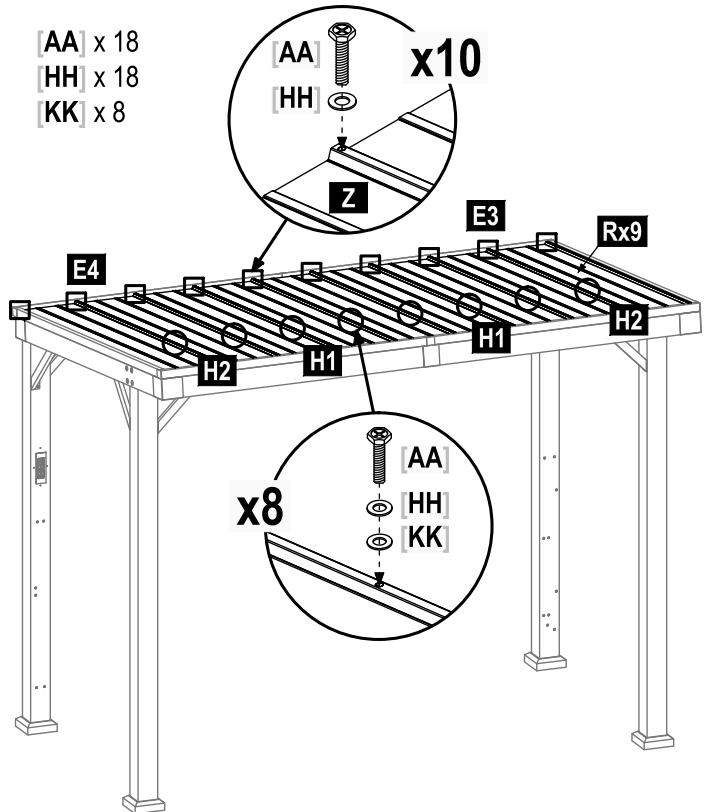


**STEP 21** DO NOT tighten the bolts completely until all the bolts and washers are properly installed.

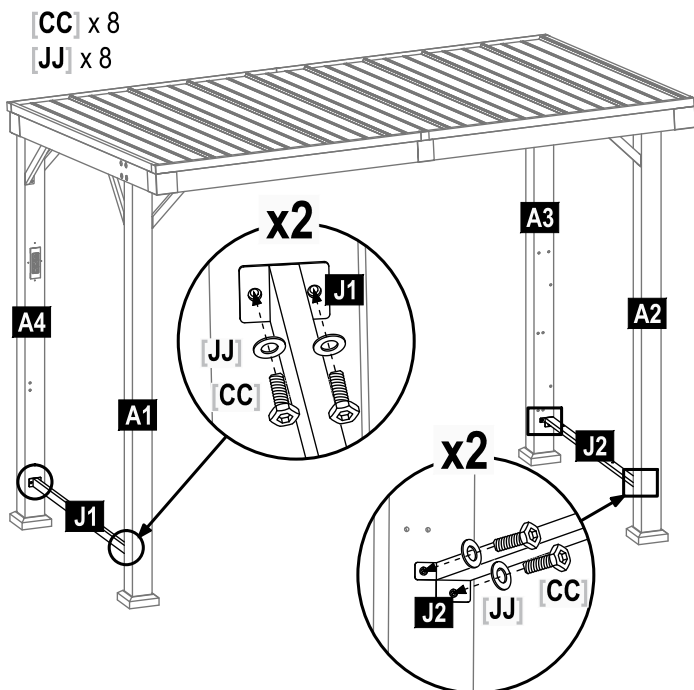
Overlap the edges of the adjacent roof plates together.

Use ten (10) [AA] bolts and ten (10) [HH] flat washers to secure the sides of Roof Plates [Z].

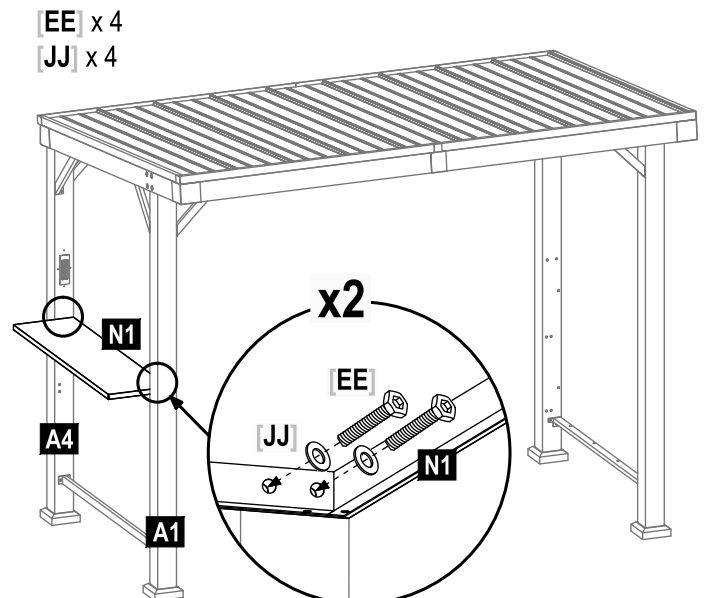
Use eight (8) [AA] bolts, eight (8) [HH] flat washers, and eight (8) [KK] sealant washers to secure the center of Roof Plates [Z] to the frame.



**STEP 22** Use two (2) [CC] bolts and two (2) [JJ] flat washers to attach each end of Bottom Cross Beam [J1] to Post [A1] and [A4]. Repeat with [J2] to Post [A2] and [A3].

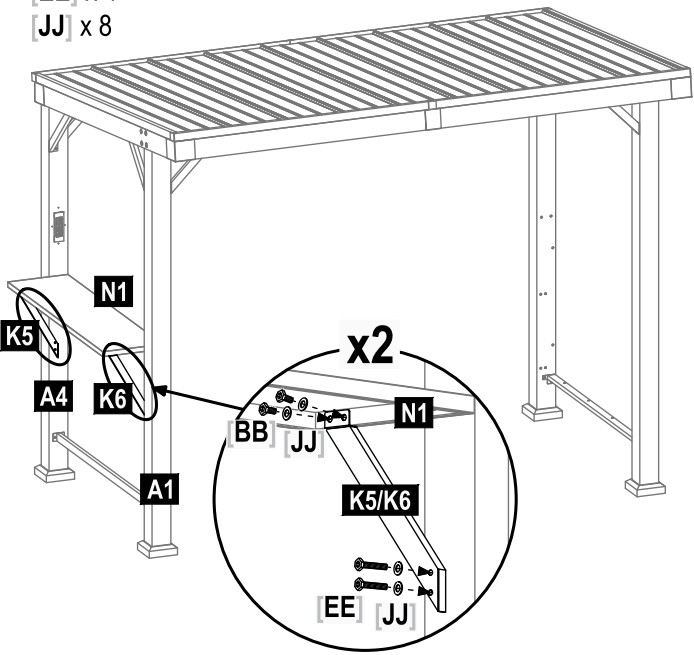


**STEP 23** Use two (2) [EE] bolts and two (2) [JJ] flat washers to attach each end of Shelf [N1] to Post [A1] and [A4].



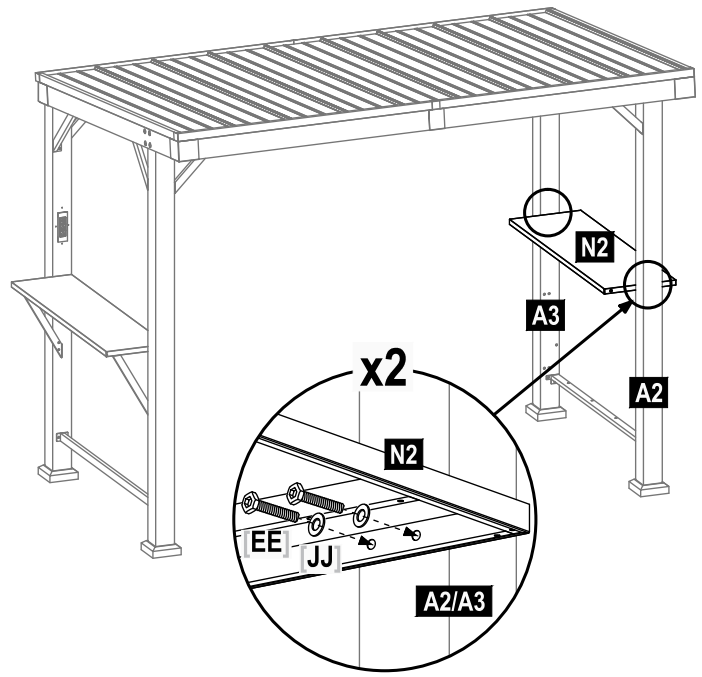
**STEP 24** Use two (2) [BB] bolts and two (2) [JJ] flat washers to attach the upper end of Support Bracket [K5] to Shelf [N1]. Use two (2) [EE] bolts and two (2) [JJ] flat washers to attach the lower end of Support Bracket [K5] to Post [A4]. Repeat with Support Bracket [K6] to Shelf [N1] and Post [A1].

- [BB] x 4
- [EE] x 4
- [JJ] x 8



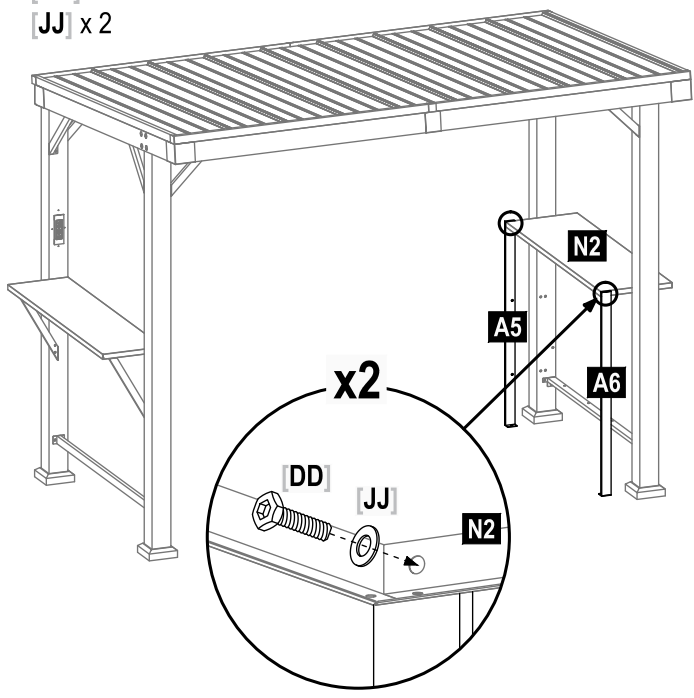
**STEP 25** Attach one (1) Shelf [N2] between Post [A2] and [A3] using two (2) [EE] bolts and two (2) [JJ] flat washers on each end.

- [EE] x 4
- [JJ] x 4



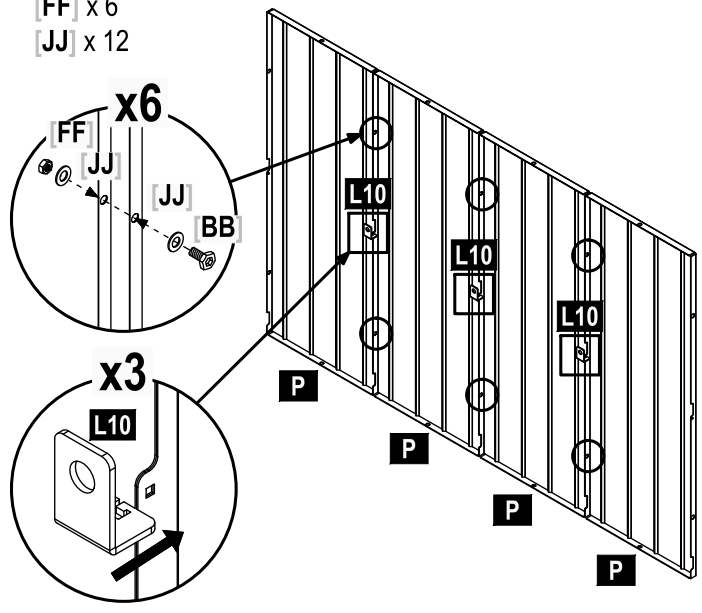
**STEP 26** Add Post [A5] to the left side of Shelf [N2] and Post [A6] to the right side of [N2] using one (1) [DD] bolt and one (1) [JJ] flat washers each.

- [DD] x 2
- [JJ] x 2



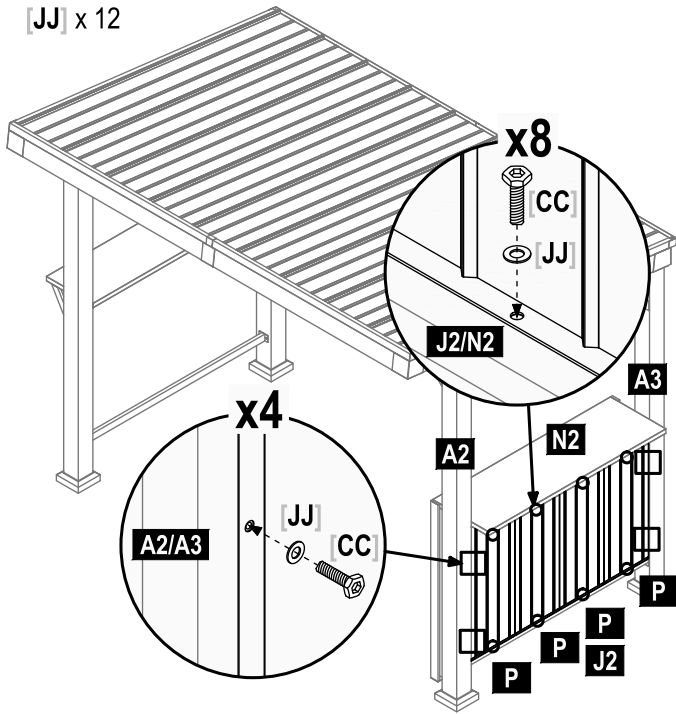
**STEP 27** Assemble the side panel by attaching four (4) Side Panels [P] together using one (1) [BB] bolt, two (2) [JJ] flat washers, and one (1) [FF] screw nut in each hole. Then slide one (1) Connector [L10] onto the connection point halfway down each plate.

- [BB] x 6
- [FF] x 6
- [JJ] x 12



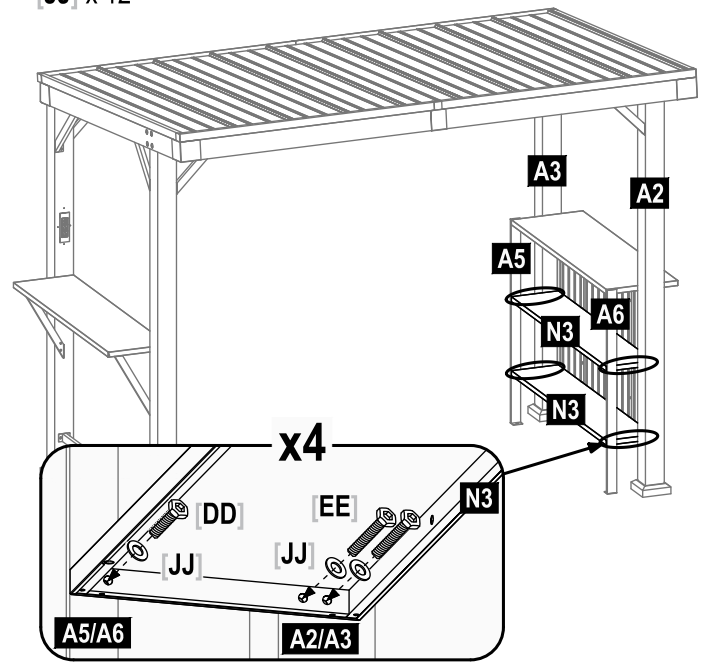
**STEP 28** Attach the Side Panel assembly below Shelf **N2** using one (1) **CC** bolt and one (1) **JJ** flat washer on the sides per hole. Along the top and bottom, use one (1) **CC** bolt and one (1) **JJ** flat washer per hole.

- CC** x 12
- JJ** x 12



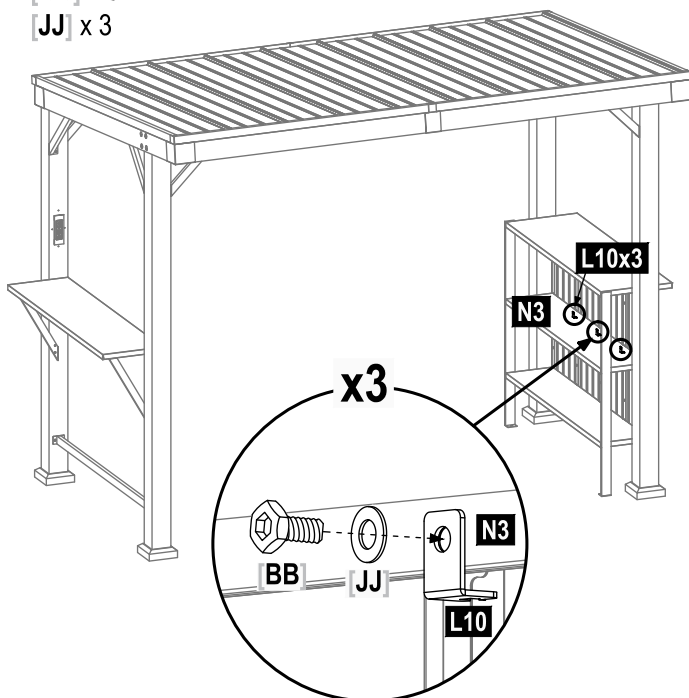
**STEP 29** Attach two (2) Shelf **N3** along the inside of the side panel. Use two (2) **EE** bolts and two (2) **JJ** flat washers to connect to the large posts. Use one (1) **DD** bolt and one (1) **JJ** flat washer to attach to the small posts.

- DD** x 4
- EE** x 8
- JJ** x 12



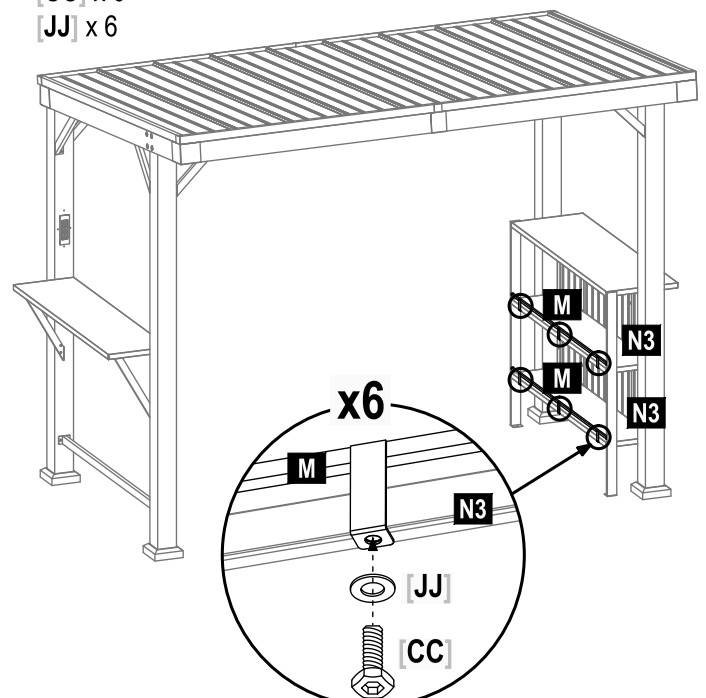
**STEP 30** Use three (3) **BB** bolts and three (3) **JJ** flat washers to secure the Connector **L10** on the side panel to the middle shelf.

- BB** x 3
- JJ** x 3



**STEP 31** Attach one (1) Shield **M** to the end of the bottom one (1) shelves using three (3) **CC** bolts and three (3) **JJ** flat washers. Repeat with the other Shield **M**.

- CC** x 6
- JJ** x 6

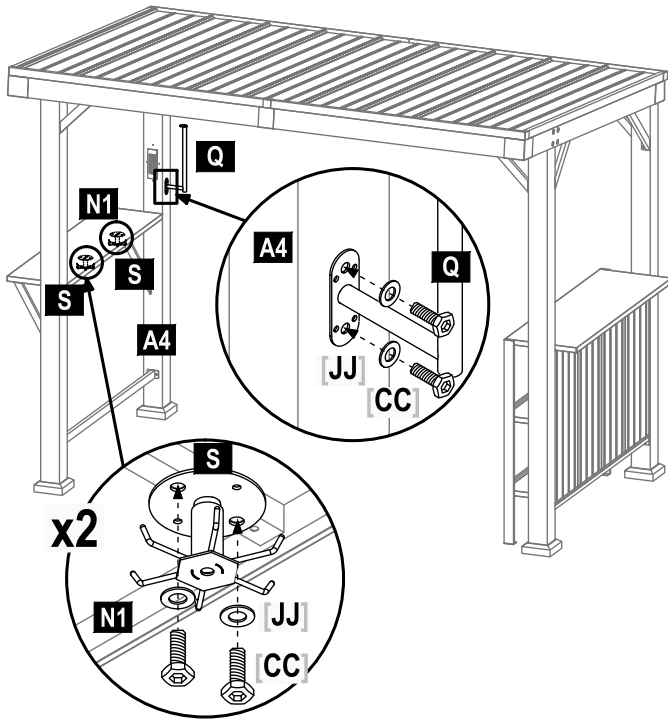


**STEP 32** Attach the two (2) Rotatable Racks **S** to the bottom of Shelf **N1** using two (2) **CC** bolts and two (2) **JJ** flat washers each.

Attach the Paper Towel Rack **Q** to Post **A4** using two (2) **CC** bolts and two (2) **JJ** flat washers.

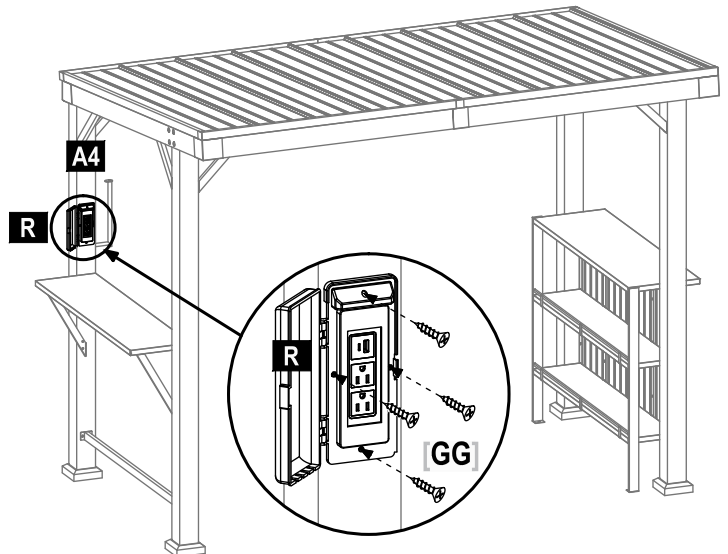
**CC** x 6

**JJ** x 6



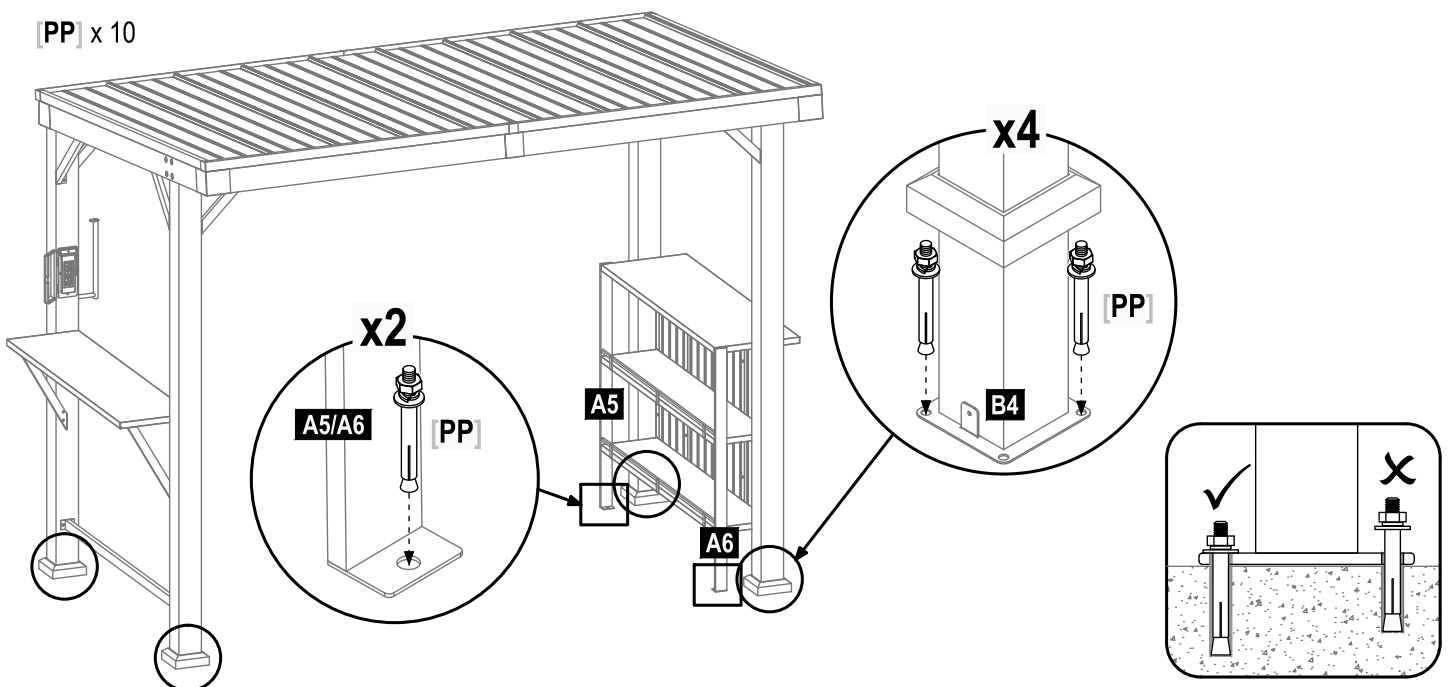
**STEP 33** Use four (4) **GG** bolts to attach the Power Strip Cover **R** to the path panel on Post **A4**.

**GG** x 4



**STEP 34** Position the gazebo in its final location. Use two (2) **PP** concrete anchors to secure each large post to the ground. Use one (1) **PP** concrete anchor to secure each of the small posts to the ground. Make sure that each anchor is fully inserted into the ground. We recommend using a 3/8 inch drill bit when installing the included expansion bolts.

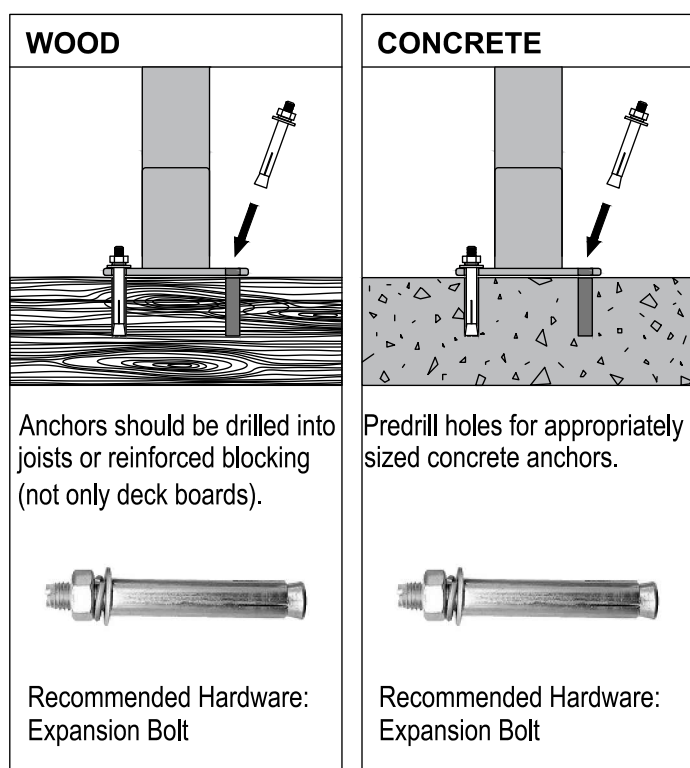
**PP** x 10



Outdoor Structure anchoring guide for anchoring gazebo to wood or concrete: If step 34, on page 15 in the assembly instructions, is not properly completed, this will void the warranty.



**WARNING! If your gazebo is not properly anchored, damage could occur.** It is highly recommended for maximum safety that you mount and secure to wood or concrete footers. This is far better and safer than using ground stakes. The following are some examples of how to mount the structure to wood or concrete surfaces. Refer to local building codes or consider consulting a licensed contractor for assistance in the anchoring of this product.



If digging for foundation, please double check for possibility of any underground utilities such as gas, telephone, cable, or sprinkler lines. Refer to your local building and city codes, ordinances, neighborhood covenants, or height restrictions regarding this type of structure for guidance on acceptable installation requirements.

### CAUTION

DO NOT climb or walk on roof for any reason.

- Our components are intended for privacy, decorative, and ornamental use only.
- Product is NOT INTENDED for the following:
  - A safety barrier to prevent unsupervised access to pools, hot tubs, spas, or ponds.
  - As load bearing support for a building, structure, heavy objects, or swings.
  - Used in structures that trap wind, rain or snow that would create extra load on the product.
  - Accumulated snow must be removed from roof.
  - DO NOT climb or walk on roof for any reason.

## WARRANTY

We warrants this product against defects in materials and workmanship for a period of one (1) year from the original date of purchase. To the extent any such defects occur, our products will send the appropriate replacement part(s) at no charge.

This warranty does not cover:

- Inspection costs or labor for replacement of any defective parts
- Incidental or consequential damages
- Cosmetic defects which DO NOT affect performance
- Normal wear and tear
- Damage due to vandalism; acts of nature, including but not limited to wind, storms, hail, floods
- Improper assembly, installation, or use
- Discoloration or fading of the finish as a result of exposure to chemicals, spills, pool or salt water
- Corrosion/ rust.

Your product has been designed for safety and quality.

Any modifications made to the original product could compromise its structural integrity or function, and could lead to product failure or personal injury. As such, modifying this product voids any and all warranties.

This product is warranted for RESIDENTIAL USE ONLY and is not for commercial, contract, or other non-residential purposes.

This product disclaims all other representations and warranties of any kind, expressed or implied.

The warranty applies to the original purchaser and is non-transferable. It does not apply to purchases of display models, or when the product is sold on clearance or "as is."

We make no warranty whatsoever in respect to accessories or parts not supplied with it. This warranty shall apply only within the boundaries of the United States of America and Canada. This warranty gives the original purchaser specific rights, and the original purchaser may also have other rights, which vary from state to state.

