

Installation Guide

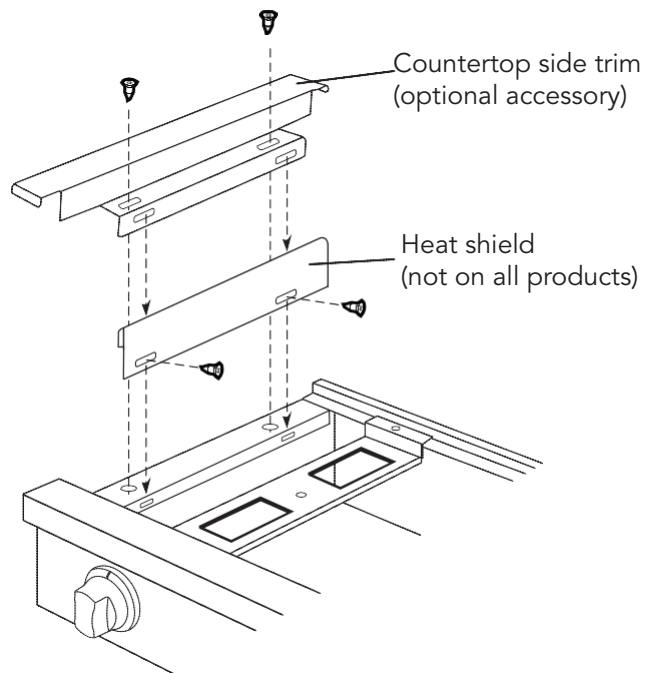
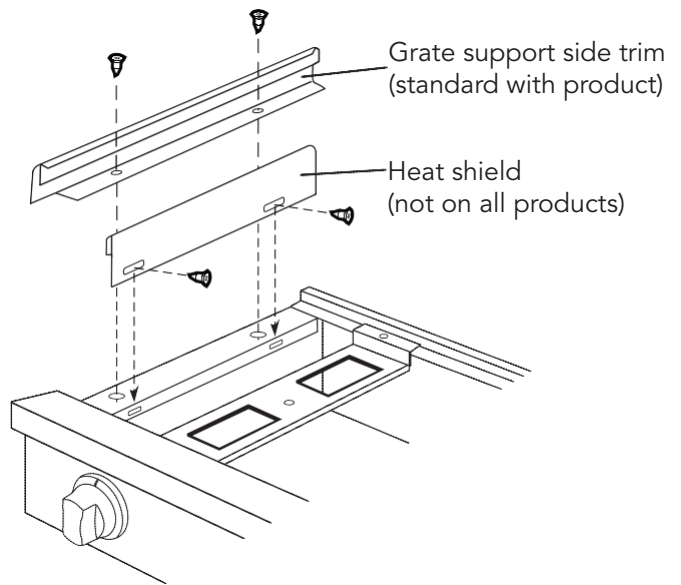
Countertop Side Trim
Countertop Rear Trim

Installation (Side Trim)

For Models:

R24CSTSS - 24" D. VGIC Open Burner Ranges

1. Remove the outside grates and grate supports next to the counter.
2. Locate and remove the screws holding the grate support side trim in place. Keep the screws for reuse.
3. Lift the grate support side trim out. It will not be reinstalled.
4. Locate and remove the screws holding the heat shield in place. Keep the screws for reuse.
5. Lift the heat shield out and set aside for reuse.
6. Place the countertop side trim into place. Align with the countertop and the landing ledge. Replace and secure with the original screws.
7. Replace the heat shield and align the slotted screw holes with the screw holes in the side trim. Replace and secure with the original screws.



⚠ CAUTION

The heat shield must be replaced only if it is part of the original product.

8. This countertop side trim was designed to accommodate most installations. If the trim needs to be shorter, cut at the rear to fit.

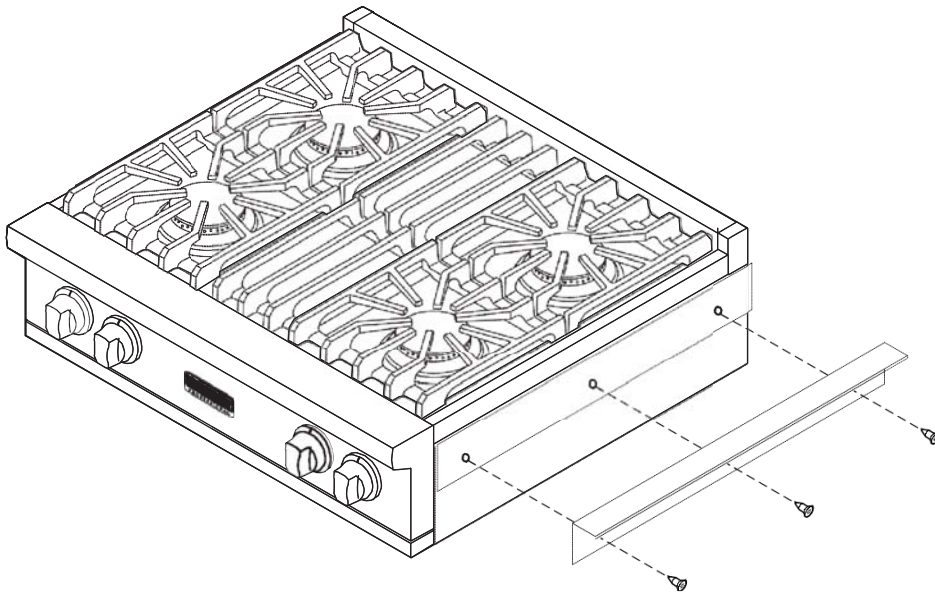
Installation (Side Trim)

For Models:

P24CSTSS - 24" D. 5 Series VGCC/VGSC/VDSC/VESC/VISC Ranges and VGRT Rangetops
24" D. RDSCG/RDSCD/RDSCE D3 Ranges

RD24CSTSS - 24" D. 3 Series RVGR/RVDR/RVER Ranges

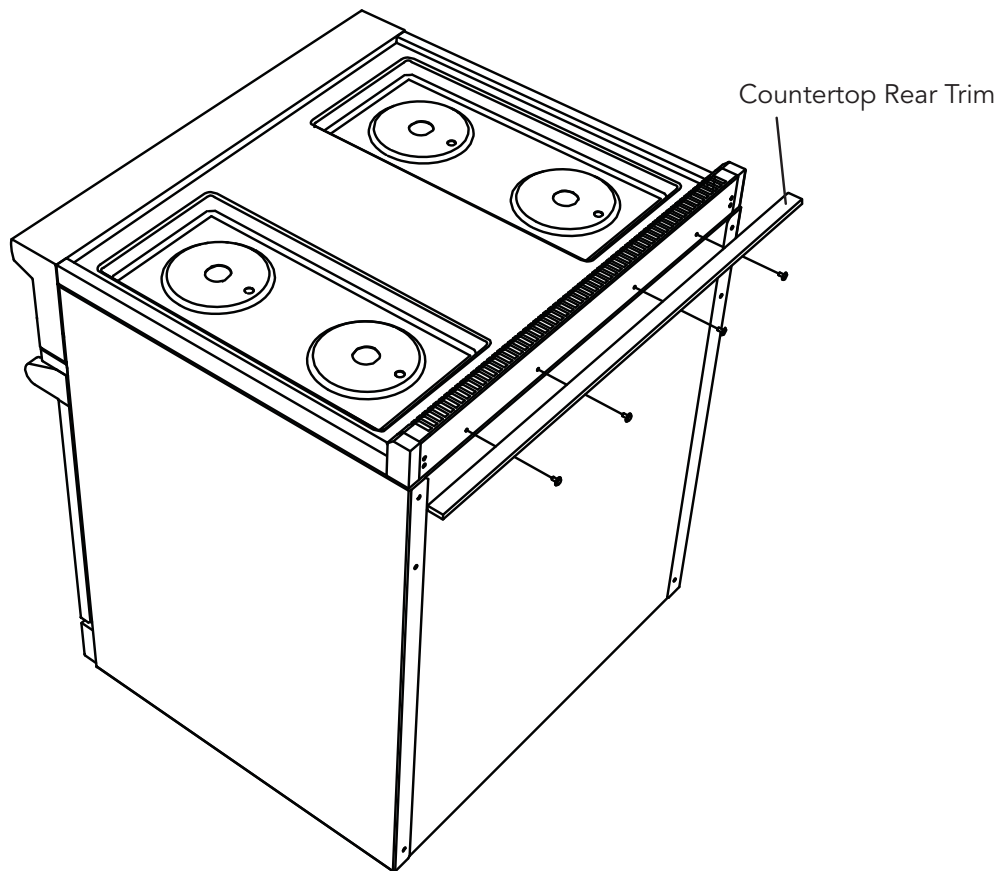
Place the countertop side trim template against the side of the range or rangetop. The flange of the template should be wrapped around the back of the unit. The top of the template should be even with the top edge of the outer trim. Mark the holes and remove template. Using a $9/64$ " drill bit, drill the three designated holes into the side of the range or rangetop. Place the countertop side trim into place and secure with the provided screws.

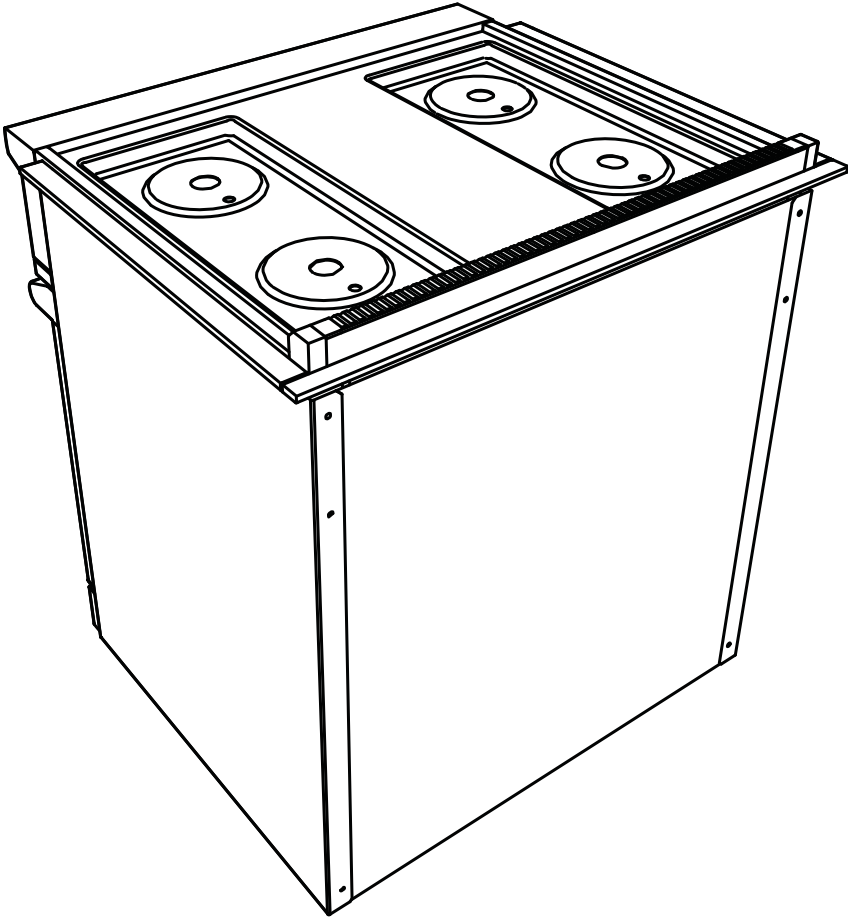


Installation (Rear Trim)

For Models:

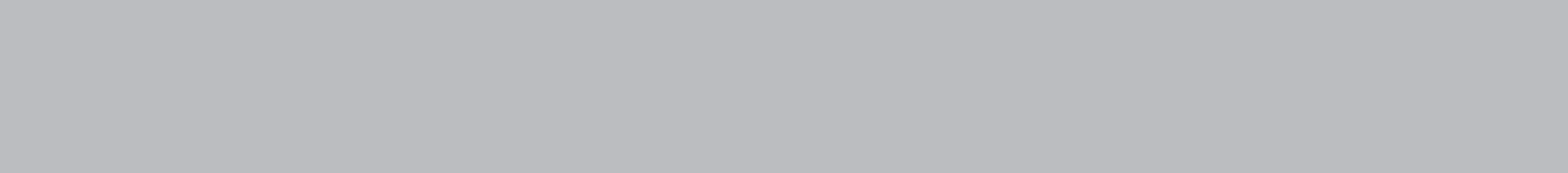
- P30CRTSS - 5 Series 30" W. VGCC, VGSC, VDSC, VESC, VISC Ranges and 5 Series 30" W. VGRT Rangetops
3 Series 30" W. RVGR, RVDR, RVER Ranges
- P36CRTSS - 5 Series 36" W. VGCC, VGSC, VDSC Ranges and 5 Series 36" W. VGRT and VERT Rangetops
- P48CRTSS - 5 Series 48" W. VGCC, VGSC, VDSC Ranges and 5 Series 48" W. VGRT Rangetops
- P60CRTSS - 5 Series 60" W. VGCC and VDSC Ranges and 5 Series 60" W. VGRT Rangetops

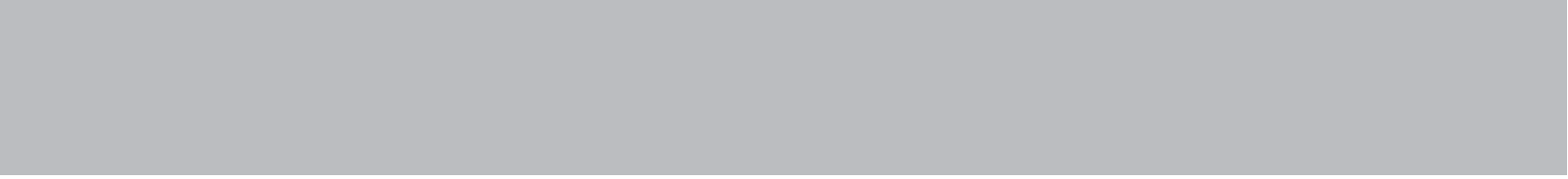




Countertop rear trim and countertop side trim installed







Viking Range, LLC
111 Front Street
Greenwood, Mississippi MS 38930
(662) 455-1200

For more product informations, visit our website at www.vikingrange.com in the US
or brigade.ca in Canada