

VEVOR[®]

TOUGH TOOLS, HALF PRICE

Technical Support and E-Warranty Certificate www.vevor.com/support

IMPACT SOCKET SET USER MANUAL

We continue to be committed to provide you tools with competitive price. "Save Half", "Half Price" or any other similar expressions used by us only represents an estimate of savings you might benefit from buying certain tools with us compared to the major top brands and does not necessarily mean to cover all categories of tools offered by us. You are kindly reminded to verify carefully when you are placing an order with us if you are actually saving half in comparison with the top major brands.

VEVOR[®]

TOUGH TOOLS, HALF PRICE

IMPACT SOCKET SET

MODEL: XL3066/ XL3070/ XL3067/ XL3068/ XL3071

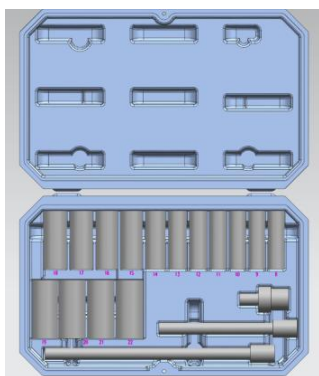


Photo for reference

NEED HELP? CONTACT US!

Have product questions? Need technical support? Please feel free to contact us:

Technical Support and E-Warranty Certificate
www.vevor.com/support

This is the original instruction, please read all manual instructions carefully before operating. VEVOR reserves a clear interpretation of our user manual. The appearance of the product shall be subject to the product you received. Please forgive us that we won't inform you again if there are any technology or software updates on our product.

SAFETY INSTRUCTION AND PRECAUTIONS



WARNING:

1. Comply with safety operating procedures: Before use, thoroughly understand the usage methods and safety precautions of the tool to prevent accidents.
2. Regular inspection and maintenance: Regularly check the wear and tear of tools, replace damaged parts in a timely manner, and ensure stable tool performance.
3. Storage method: Place the tools in a dry, ventilated, and dark environment to avoid factors such as moisture, high temperature, and collision that may affect the tool's lifespan.
4. Classified storage: Classify and store various tools for easy and quick access during use.

Select and Use

1. Choose a socket that is suitable for your own use. Different work purposes and working conditions require the selection of different sockets.
2. Choose standardized sockets as much as possible for easy replacement and maintenance.
3. Before using the socket, check whether the axis of the socket and the tool are consistent to ensure correct application.
4. When using the socket, it is important to follow the correct operating method and avoid excessive twisting to avoid damaging the tool.
5. When using a socket, an appropriate wrench should be used instead of other tools.
6. When using a socket, the correct torque and speed should be selected according to the work needs.

Model list

| SN | Model | Qty | Type | Socket List |
|----|--------|-----|-----------------------------|--|
| 1 | XL3066 | 18 | 3/8"Metric depth | 15 pcs 8, 9, 10, 11, 12, 13, 14, 15, 16, 17, 18, 19, 20, 21, 22mm 1 * Universal joint 2 * Extension rods (6", 10") |
| 2 | XL3070 | 15 | 3/8"Metric UltraShort | 15pcs 10, 11, 12, 13, 14, 15, 16, 17, 18, 19, 20, 21, 22, 23, 24 mm |
| 3 | XL3067 | 15 | 1/4"Metric/SAE deep/shallow | 11 pcs SAE depth: 5/32 ", 3/16", 7/32 ", 1/4", 9/32 ", 5/16", 11/32 ", 3/8", 7/16 ", 1/2", 9/16" 11 pcs SAE shallow: 5/32 ", 3/16", 7/32 ", 1/4", 9/32 ", 5/16", 11/32 ", 3/8", 7/16 ", 1/2", 9/16" 14 pcs Metric depth: 4, 4.5, 5, 5.5, 6, 7, 8, 9, 10, 11, 12, 13, 14, 15mm 14 pcs Metric shallow: 4, 4.5, 5, 5.5, 6, 7, 8, 9, 10, 11, 12, 13, 14, 15mm 1 pc 1/4 "drive ratchet handle 1 pc 3 "Drive Impact Extension Rod 1 pc 8 "Drive Impact Extension Rod 1 pc 1/4 "universal joint 1 pc 3/8 "to 1/4" adapter |
| 4 | XL3068 | 48 | 1/4"Metric/SAE deep/shallow | 10 pcs SAE deep: 3/16", 7/32", 1/4", 9/32", 5/16", 11/32", 3/8", 7/16" , 1/2", 9/16" 10 pcs SAE shallow: 3/16 ", 7/32 ", 1/4 ", 9/32 ", 5/16 ", 11/32 ", 3/8 ", 7/16 ", 1/2 ", 9/16 " 14 pcs Metric depth: 4, 4.5, 5, 5.5, 6, 7, 8, 9, 10, 11, 12, 13, 14, 15mm 14 pcs Metric shallow: 4, 4.5, 5, 5.5, 6, 7, 8, 9, 10, 11, 12, 13, 14, 15mm |
| 5 | XL3071 | 14 | 1/4"Metric deep | 14 pcs 4, 4.5, 5, 5.5, 6, 7, 8, 9, 10, 11, 12, 13, 14, 15mm |

Maintenance

1. After using the socket, it should be cleaned in a timely manner and coated with an appropriate amount of lubricating oil to extend the service life of the socket.
2. After not using the socket for a long time, it should be placed in a dry and ventilated place to avoid rusting and affecting its use.
3. Regularly check the wear and damage of the socket, and replace damaged components in a timely manner.

Address: Shuangchenglu 803nong11hao1602A-1609shi, baoshanqu, shanghai 200000 CN.

Imported to AUS: SIHAO PTY LTD. 1 ROKEVA STREET EASTWOOD NSW 2122 Australia

Imported to USA: Sanven Technology Ltd. Suite 250, 9166 Anaheim Place, Rancho Cucamonga, CA 91730

Made In China



E-CrossStu GmbH
Mainzer Landstr.69, 60329 Frankfurt am Main.



YH CONSULTING LIMITED.
C/O YH Consulting Limited Office 147, Centurion House,
London Road, Staines-upon-Thames, Surrey, TW18 4AX

VEVOR[®]

TOUGH TOOLS, HALF PRICE

Technical Support and E-Warranty Certificate
www.vevor.com/support

VEVOR[®]

TOUGH TOOLS, HALF PRICE

Supporto tecnico e certificato di garanzia elettronica www.vevor.com/support

SET DI BUSSOLE A IMPATTO MANUALE D'USO

We continue to be committed to provide you tools with competitive price.

"Save Half", "Half Price" or any other similar expressions used by us only represents an estimate of savings you might benefit from buying certain tools with us compared to the major top brands and does not necessarily mean to cover all categories of tools offered by us. You are kindly reminded to verify carefully when you are placing an order with us if you are actually saving half in comparison with the top major brands.

VEVOR®

TOUGH TOOLS, HALF PRICE

IMPACT SOCKET SET

MODELLO: XL3066 /XL3070/XL3067/XL3068/XL3071

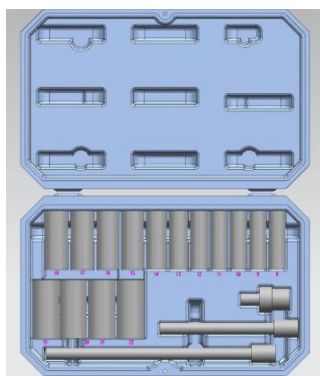


Foto per riferimento

NEED HELP? CONTACT US!

Have product questions? Need technical support? Please feel free to contact us:

Technical Support and E-Warranty Certificate
www.vevor.com/support

This is the original instruction, please read all manual instructions carefully before operating. VEVOR reserves a clear interpretation of our user manual. The appearance of the product shall be subject to the product you received. Please forgive us that we won't inform you again if there are any technology or software updates on our product.

SAFETY INSTRUCTION AND PRECAUTIONS



AVVERTIMENTO:

2. Rispettare le procedure operative di sicurezza: prima dell'uso, comprendere a fondo i metodi di utilizzo e le precauzioni di sicurezza dello strumento per prevenire incidenti.
2. Ispezione e manutenzione regolari: controllare regolarmente l'usura degli strumenti, sostituire tempestivamente le parti danneggiate e garantire prestazioni stabili dello strumento.
3. Metodo di conservazione: posizionare gli strumenti in un ambiente asciutto, ventilato e buio per evitare fattori come umidità, alte temperature e collisioni che potrebbero influire sulla durata dello strumento.
4. Archiviazione classificata: classifica e conserva vari strumenti per un accesso facile e rapido durante l'uso.

Selezione e usa

1. Scegli una presa adatta al tuo utilizzo. Scopi e condizioni di lavoro diversi richiedono la selezione di prese diverse .
- 2 . Scegliere quanto più possibile prese standardizzate per facilitare la sostituzione e la manutenzione.
- 3 . Prima di utilizzare la presa , verificare che l'asse della presa e dell'utensile siano coerenti per garantire una corretta applicazione.
- 4 . Quando si utilizza la presa , è importante seguire il corretto metodo operativo ed evitare torsioni eccessive per evitare di danneggiare l'utensile.
- 5 . Quando si utilizza una presa, è necessario utilizzare una chiave appropriata al posto di altri strumenti.
- 6 . Quando si utilizza una presa , è necessario selezionare la coppia e la velocità corrette in base alle esigenze di lavoro.

Elenco dei modelli

| SN | Modello | Qtà | Tipo | Elenco prese |
|----|---------|-----|--|---|
| 1 | XL3066 | 18 | Profondità metrica 3/8". | 15 pezzi 8, 9, 10, 11, 12, 13, 14, 15, 16, 17, 18, 19, 20, 21, 22 mm 1 * Giunto universale 2 * Aste di prolunga (6", 10") |
| 2 | XL3070 | 15 | Ultracorto metrico da 3/8". | 15 pezzi 10, 11, 12, 13, 14, 15, 16, 17, 18, 19, 20, 21, 22, 23, 24 mm |
| 3 | XL3067 | 15 | 1/4"Metrico/SAE profondo/poco profondo | Profondità SAE 11 pezzi: 5/32 ", 3/16", 7/32 ", 1/4", 9/32 ", 5/16", 11/32 ", 3/8", 7/16 ", 1/2", 9/16" 11 pz SAE poco profondo: 5/32 ", 3/16", 7/32 ", 1/4", 9/32 ", 5/16", 11/32 ", 3 /8", 7/16", 1/2", 9/16" 14 pezzi Profondità metrica: 4, 4.5, 5, 5.5, 6, 7, 8, 9, 10, 11, 12, 13, 14, 15 mm 14 pezzi Metrico poco profondo: 4, 4.5, 5, 5.5, 6, 7, 8, 9, 10, 11, 12, 13, 14, 15 mm 1 pz Maniglia a cricchetto da 1/4 " 1 pz Asta di prolunga per impatto da 3 " 1 pz. Asta di prolunga per impatto da 8" 1 pz. Giunto universale da 1/4" 1 pz. Adattatore da 3/8" a 1/4" |

| | | | | |
|---|--------|----|--|--|
| 4 | XL3068 | 48 | 1/4"Metrico/SAE profondo/poco profondo | 10 pezzi SAE profondi: 3/16", 7/32", 1/4", 9/32", 5/16", 11/32", 3/8", 7/16" , 1/2", 9/16" 10 pezzi SAE poco profondi: 3/16 " , 7/32 " , 1/4 " , 9/32 " , 5/16 " , 11/32 " , 3/8 " , 7/16 " , 1 /2 " , 9/16" 14 pezzi Profondità metrica: 4, 4.5, 5, 5.5, 6, 7, 8, 9, 10, 11, 12, 13, 14, 15 mm 14 pezzi Metrico poco profondo: 4, 4.5, 5 , 5.5, 6, 7, 8, 9, 10, 11, 12, 13, 14, 15 mm |
| 5 | XL3071 | 14 | Profondità 1/4" metrica | 14 pezzi 4, 4,5, 5, 5,5, 6, 7, 8, 9, 10, 11, 12, 13, 14, 15 mm |

Manutenzione

1. Dopo aver utilizzato la presa , deve essere pulita tempestivamente e rivestita con una quantità adeguata di olio lubrificante per prolungare la durata della presa .
2. Dopo un lungo periodo di inutilizzo, la presa deve essere collocata in un luogo asciutto e ventilato per evitare la formazione di ruggine e comprometterne l'utilizzo.
3. Controllare regolarmente l'usura e i danni della presa e sostituire tempestivamente i componenti danneggiati.

Indirizzo: Shuangchenglu 803nong11hao1602A-1609shi, baoshanqu, shanghai 200000 CN.

Importato in AUS: SIHAO PTY LTD. 1 ROKEVA STREETEASTWOOD NSW 2122 Australia

Importato negli Stati Uniti: Sanven Technology Ltd. Suite 250, 9166 Anaheim Place, Rancho Cucamonga, CA 91730

Made in China

| | |
|-----------|------------|
| EC | REP |
|-----------|------------|

E-CrossStu GmbH
Mainzer Landstr.69, 60329 Frankfurt am Main.

| | |
|-----------|------------|
| UK | REP |
|-----------|------------|

YH CONSULTING LIMITED.
C/O YH Consulting Limited Office 147, Centurion House,
London Road, Staines-upon-Thames, Surrey, TW18 4AX

VEVOR[®]

TOUGH TOOLS, HALF PRICE

Supporto tecnico e certificato di garanzia elettronica

www.vevor.com/support

VEVOR[®]

TOUGH TOOLS, HALF PRICE

Wsparcie techniczne i certyfikat e-gwarancji www.vevor.com/support

ZESTAW NASADEK UDAROWYCH INSTRUKCJA OBSŁUGI

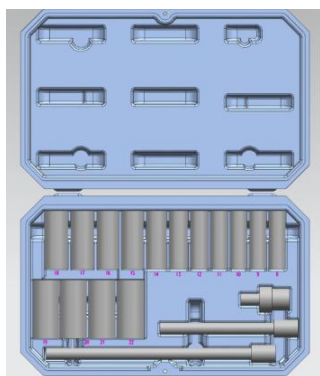
We continue to be committed to provide you tools with competitive price. "Save Half", "Half Price" or any other similar expressions used by us only represents an estimate of savings you might benefit from buying certain tools with us compared to the major top brands and does not necessarily mean to cover all categories of tools offered by us. You are kindly reminded to verify carefully when you are placing an order with us if you are actually saving half in comparison with the top major brands.

VEVOR®

TOUGH TOOLS, HALF PRICE

IMPACT SOCKET SET

MODEL: XL3066 / XL3070 / XL3067 / XL3068 / XL3071



Zdjęcie w celach informacyjnych

NEED HELP? CONTACT US!

Have product questions? Need technical support? Please feel free to contact us:

Technical Support and E-Warranty Certificate
www.vevor.com/support

This is the original instruction, please read all manual instructions carefully before operating. VEVOR reserves a clear interpretation of our user manual. The appearance of the product shall be subject to the product you received. Please forgive us that we won't inform you again if there are any technology or software updates on our product.

SAFETY INSTRUCTION AND PRECAUTIONS



OSTRZEŻENIE:

3. Przestrzegaj procedur bezpieczeństwa pracy: Przed użyciem dokładnie zapoznaj się z metodami użytkowania i środkami ostrożności dotyczącymi narzędzia, aby zapobiec wypadkom.
2. Regularna kontrola i konserwacja: Regularnie sprawdzaj zużycie narzędzi, wymieniaj uszkodzone części w odpowiednim czasie i zapewniaj stabilną pracę narzędzia.
3. Metoda przechowywania: Umieść narzędzia w suchym, wentylowanym i ciemnym miejscu, aby uniknąć czynników takich jak wilgoć, wysoka temperatura i kolizje, które mogą mieć wpływ na żywotność narzędzia.
4. Tajne przechowywanie: klasyfikuj i przechowuj różne narzędzia, aby zapewnić łatwy i szybki dostęp podczas użytkowania.

Wybierz i użyj

1. Wybierz gniazdko odpowiednie do własnego użytku. Różne cele pracy i warunki pracy wymagają doboru różnych gniazd .
- 2 . W miarę możliwości wybieraj znormalizowane gniazda , aby ułatwić wymianę i konserwację.
- 3 . Przed użyciem nasadki sprawdź, czy oś nasadki i narzędzia są zgodne, aby zapewnić prawidłowe zastosowanie.
- 4 . Podczas korzystania z nasadki ważne jest przestrzeganie prawidłowej metody obsługi i unikanie nadmiernego skręcania, aby uniknąć uszkodzenia narzędzia.
- 5 . W przypadku korzystania z nasadki zamiast innych narzędzi należy użyć odpowiedniego klucza.
- 6 . W przypadku korzystania z nasadki należy dobrać odpowiedni moment obrotowy i prędkość w zależności od potrzeb pracy.

Lista modeli

| SN | Model | Ilość | Typ | Lista gniazd |
|----|--------|-------|-------------------------------------|--|
| 1 | XL3066 | 18 | Głębokość metryczna 3/8". | 15 szt. 8, 9, 10, 11, 12, 13, 14, 15, 16, 17, 18, 19, 20, 21, 22mm 1 * Przegub uniwersalny 2 * Przedłużacze (6", 10") |
| 2 | XL3070 | 15 | Ultrakrótkie, metryczne 3/8". | 15 szt. 10, 11, 12, 13, 14, 15, 16, 17, 18, 19, 20, 21, 22, 23, 24 mm |
| 3 | XL3067 | 15 | Głębokość/płytki 1/4" metryczna/SAE | 11 szt. Głębokość SAE: 5/32", 3/16", 7/32", 1/4", 9/32", 5/16", 11/32", 3/8", 7/16", 1/2", 9/16" 11 szt. SAE płytkie: 5/32", 3/16", 7/32", 1/4", 9/32", 5/16", 11/32", 3/8", 7/16", 1/2", 9/16" 14 szt. Głębokość metryczna: 4, 4,5, 5, 5,5, 6, 7, 8, 9, 10, 11, 12, 13, 14, 15 mm 14 szt. Metryczne płytkie: 4, 4,5, 5, 5,5, 6, 7, 8, 9, 10, 11, 12, 13, 14, 15 mm 1 szt. 1/4" Rękojeść zapadkowa 1 szt. 3" Przedłużacz udarowy 1 szt. 8" Przedłużka udarowa napędu 1 szt. 1/4" przegub uniwersalny 1 szt. adapter 3/8" na 1/4" |

| | | | | |
|---|--------|----|---|--|
| 4 | XL3068 | 48 | Głębokość/płytki 1/4" metryczna/SAE | 10 szt. Głębokość SAE: 3/16", 7/32", 1/4", 9/32", 5/16", 11/32", 3/8", 7/16", 1/2", 9/16" 10 szt. SAE płytkie: 3/16", 7/32", 1/4", 9/32", 5/16", 11/32", 3/8", 7/16", 1/2", 9/16" 14 szt. Głębokość metryczna: 4, 4,5, 5, 5,5, 6, 7, 8, 9, 10, 11, 12, 13, 14, 15 mm 14 szt. Głębokość metryczna: 4, 4,5, 5, 5,5, 6, 7, 8, 9, 10, 11, 12, 13, 14, 15 mm |
| 5 | XL3071 | 14 | Głębokość metryczna 1/4". | 14 szt. 4, 4,5, 5, 5,5, 6, 7, 8, 9, 10, 11, 12, 13, 14, 15mm |

Konserwacja

1. Po użyciu nasadki należy ją w odpowiednim czasie oczyścić i pokryć odpowiednią ilością oleju smarowego w celu przedłużenia żywotności nasadki .
2. Po dłuższym czasie nieużywania gniazdka należy je umieścić w suchym i wentylowanym miejscu, aby uniknąć rdzewienia i wpływu na jego użytkowanie.
3. Regularnie sprawdzaj zużycie i uszkodzenia gniazda oraz terminowo wymieniaj uszkodzone elementy.

Adres: Shuangchenglu 803nong11hao1602A-1609shi, baoshanqu, szanghaj 200000 CN.

Import do AUS: SIHAO PTY LTD. 1 ROKEVA STREET EASTWOOD NSW 2122 Australia

Import do USA: Sanven Technology Ltd. Suite 250, 9166 Anaheim Place, Rancho Cucamonga, CA 91730

Wyprodukowano w Chinach

| | |
|-----------|------------|
| EC | REP |
|-----------|------------|

E-CrossStu GmbH
Mainzer Landstr.69, 60329 Frankfurt am Main.

| | |
|-----------|------------|
| UK | REP |
|-----------|------------|

YH CONSULTING LIMITED.
C/O YH Consulting Limited Office 147, Centurion House,
London Road, Staines-upon-Thames, Surrey, TW18 4AX

VEVOR[®]

TOUGH TOOLS, HALF PRICE

Wsparcie techniczne i certyfikat e-gwarancji

www.vevor.com/support

VEVOR[®]

TOUGH TOOLS, HALF PRICE

Technischer Support und E-Garantie-Zertifikat www.vevor.com/support

SCHLAGSCHRAUBER-STECKSCHLÜSSE LSATZ BENUTZERHANDBUCH

We continue to be committed to provide you tools with competitive price. "Save Half", "Half Price" or any other similar expressions used by us only represents an estimate of savings you might benefit from buying certain tools with us compared to the major top brands and does not necessarily mean to cover all categories of tools offered by us. You are kindly reminded to verify carefully when you are placing an order with us if you are actually saving half in comparison with the top major brands.

VEVOR®

TOUGH TOOLS, HALF PRICE

IMPACT SOCKET SET

MODELL: XL3066 / XL3070/ XL3067/ XL3068/ XL3071

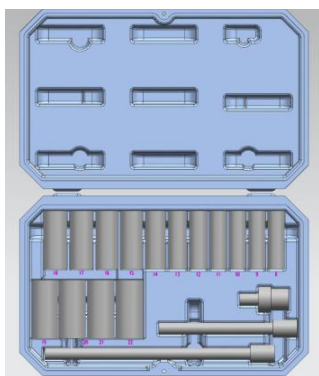


Foto als Referenz

NEED HELP? CONTACT US!

Have product questions? Need technical support? Please feel free to contact us:

Technical Support and E-Warranty Certificate
www.vevor.com/support

This is the original instruction, please read all manual instructions carefully before operating. VEVOR reserves a clear interpretation of our user manual. The appearance of the product shall be subject to the product you received. Please forgive us that we won't inform you again if there are any technology or software updates on our product.

SAFETY INSTRUCTION AND PRECAUTIONS



WARNUNG:

4. Halten Sie die Sicherheitsverfahren ein: Machen Sie sich vor der Verwendung gründlich mit den Verwendungsmethoden und Sicherheitsvorkehrungen des Werkzeugs vertraut, um Unfälle zu vermeiden.
2. Regelmäßige Inspektion und Wartung: Überprüfen Sie regelmäßig den Verschleiß der Werkzeuge, ersetzen Sie beschädigte Teile rechtzeitig und stellen Sie eine stabile Werkzeugeistung sicher.
3. Lagerungsmethode: Legen Sie die Werkzeuge in eine trockene, belüftete und dunkle Umgebung, um Faktoren wie Feuchtigkeit, hohe Temperaturen und Stöße zu vermeiden, die die Lebensdauer des Werkzeugs beeinträchtigen können.
4. Sortierte Aufbewahrung: Klassifizieren und lagern Sie verschiedene Werkzeuge für einen einfachen und schnellen Zugriff während der Verwendung.

Auswählen und Verwenden

1. Wählen Sie eine Steckdose , die für Ihren eigenen Gebrauch geeignet ist. Unterschiedliche Arbeitszwecke und Arbeitsbedingungen erfordern die Auswahl unterschiedlicher Steckdosen .
2. Wählen Sie möglichst standardisierte Steckdosen , um den Austausch und die Wartung zu erleichtern.
- 3 . Um eine korrekte Anwendung zu gewährleisten, ist vor dem Einsatz der Stecknuss zu prüfen, ob die Achse der Stecknuss und des Werkzeugs übereinstimmen.
4. Beim Umgang mit der Stecknuss ist auf die richtige Vorgehensweise zu achten und ein übermäßiges Verdrehen zu vermeiden, um eine Beschädigung des Werkzeugs zu vermeiden .
- 5 . Beim Einsatz einer Stecknuss sollte anstelle anderer Werkzeuge ein passender Schraubenschlüssel verwendet werden.

6 . Beim Einsatz einer Stecknuss sollten je nach Arbeitsanforderung das richtige Drehmoment und die richtige Drehzahl gewählt werden.

Modellliste

| SN | Modell | Menge | Typ | Sockelliste |
|----|--------|-------|--------------------------------|---|
| 1 | XL3066 | 18 | 3/8"Metrische Tiefe | 15 Stück 8, 9, 10, 11, 12, 13, 14, 15, 16, 17, 18, 19, 20, 21, 22 mm 1 * Kardangelenk 2 * Verlängerungsstangen (6", 10") |
| 2 | XL3070 | 15 | 3/8"Metrisch Ultrakurz | 15 Stück 10, 11, 12, 13, 14, 15, 16, 17, 18, 19, 20, 21, 22, 23, 24 mm |
| 3 | XL3067 | 15 | 1/4"Metrisch/SAE tief/flach | 11 Stück SAE Tiefe: 5/32 ", 3/16", 7/32 ", 1/4", 9/32 ", 5/16", 11/32 ", 3/8", 7/16 ", 1/2", 9/16" 11 Stück SAE flach: 5/32 ", 3/16", 7/32 ", 1/4", 9/32 ", 5/16", 11/32 ", 3/8", 7/16 ", 1/2", 9/16" 14 Stück Metrische Tiefe: 4, 4.5, 5, 5.5, 6, 7, 8, 9, 10, 11, 12, 13, 14, 15mm 14 Stück Metrische flach: 4, 4.5, 5, 5.5, 6, 7, 8, 9, 10, 11, 12, 13, 14, 15 mm 1 Stk. 1/4"-Antriebsratschengriff 1 Stk. 3"-Antriebsschlagverlängerungsstange 1 Stk. 8"-Antriebsschlagverlängerungsstange 1 Stk. 1/4"-Kardangelenk 1 Stk. 3/8" auf 1/4" Adapter |

| | | | | |
|---|--------|----|-----------------------------|---|
| 4 | XL3068 | 48 | 1/4"Metrisch/SAE tief/flach | 10 Stück SAE tief: 3/16", 7/32", 1/4", 9/32", 5/16", 11/32", 3/8", 7/16", 1/2", 9/16" 10 Stück SAE flach: 3/16", 7/32", 1/4", 9/32", 5/16", 11/32", 3/8", 7/16", 1/2", 9/16" 14 Stück metrisch tief: 4, 4,5, 5, 5,5, 6, 7, 8, 9, 10, 11, 12, 13, 14, 15 mm 14 Stück metrisch flach: 4, 4,5, 5, 5,5, 6, 7, 8, 9, 10, 11, 12, 13, 14, 15 mm |
| 5 | XL3071 | 14 | 1/4"Metrisch tief | 14 Stück 4, 4,5, 5, 5,5, 6, 7, 8, 9, 10, 11, 12, 13, 14, 15 mm |

Wartung

1. Nach dem Gebrauch der Steckdose sollte diese rechtzeitig gereinigt und mit einer angemessenen Menge Schmieröl bestrichen werden, um die Lebensdauer der Steckdose zu verlängern .
2. Wenn die Steckdose längere Zeit nicht verwendet wurde, sollte sie an einem trockenen und belüfteten Ort aufbewahrt werden, um Rostbildung und damit verbundene Nutzungseinschränkungen zu vermeiden.
3. Überprüfen Sie die Steckdose regelmäßig auf Verschleiß und Beschädigungen und ersetzen Sie beschädigte Komponenten rechtzeitig.

Adresse: Shuangchenglu 803nong11hao1602A-1609shi, baoshanqu, Shanghai 200000 CN.

Nach AUS importiert: SIHAO PTY LTD. 1 ROKEVA STREETEASTWOOD NSW 2122 Australien

Importiert in die USA: Sanven Technology Ltd. Suite 250, 9166 Anaheim Place, Rancho Cucamonga, CA 91730

In China hergestellt

| | |
|-----------|------------|
| EC | REP |
|-----------|------------|

E-CrossStu GmbH
Mainzer Landstr.69, 60329 Frankfurt am Main.

| | |
|-----------|------------|
| UK | REP |
|-----------|------------|

YH CONSULTING LIMITED.
C/O YH Consulting Limited Office 147, Centurion House,
London Road, Staines-upon-Thames, Surrey, TW18 4AX

VEVOR[®]
TOUGH TOOLS, HALF PRICE

Technischer Support und E-Garantie-Zertifikat
www.vevor.com/support

VEVOR[®]

TOUGH TOOLS, HALF PRICE

Assistance technique et certificat de garantie électronique www.vevor.com/support

JEU DE DOUILLES À CHOCS MANUEL D'UTILISATION

We continue to be committed to provide you tools with competitive price.

"Save Half", "Half Price" or any other similar expressions used by us only represents an estimate of savings you might benefit from buying certain tools with us compared to the major top brands and does not necessarily mean to cover all categories of tools offered by us. You are kindly reminded to verify carefully when you are placing an order with us if you are actually saving half in comparison with the top major brands.

VEVOR[®]

TOUGH TOOLS, HALF PRICE

IMPACT SOCKET SET

MODÈLE: XL3066 /XL3070/XL3067/XL3068/XL3071

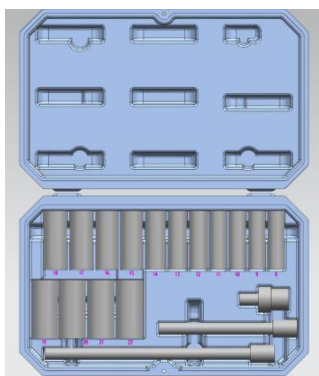


Photo pour référence

NEED HELP? CONTACT US!

Have product questions? Need technical support? Please feel free to contact us:

Technical Support and E-Warranty Certificate
www.vevor.com/support

This is the original instruction, please read all manual instructions carefully before operating. VEVOR reserves a clear interpretation of our user manual. The appearance of the product shall be subject to the product you received. Please forgive us that we won't inform you again if there are any technology or software updates on our product.

SAFETY INSTRUCTION AND PRECAUTIONS



AVERTISSEMENT:

5. Respecter les procédures de sécurité : avant utilisation, comprenez parfaitement les méthodes d'utilisation et les précautions de sécurité de l'outil pour éviter les accidents.
2. Inspection et entretien réguliers : vérifiez régulièrement l'usure des outils, remplacez les pièces endommagées en temps opportun et assurez des performances stables de l'outil.
3. Méthode de stockage : placez les outils dans un environnement sec, aéré et sombre pour éviter des facteurs tels que l'humidité, les températures élevées et les collisions qui peuvent affecter la durée de vie de l'outil.
4. Stockage classifié : classez et stockez divers outils pour un accès facile et rapide pendant l'utilisation.

Sélectionner et utiliser

1. Choisissez une prise adaptée à votre propre usage. Différents objectifs et conditions de travail nécessitent la sélection de différentes prises .
- 2 . Choisissez autant que possible des prises standardisées pour un remplacement et un entretien faciles.
- 3 . Avant d'utiliser la douille , vérifiez si l'axe de la douille et celui de l'outil sont cohérents pour garantir une application correcte.
- 4 . Lors de l'utilisation de la douille , il est important de suivre la bonne méthode de fonctionnement et d'éviter une torsion excessive pour éviter d'endommager l'outil.
- 5 . Lorsque vous utilisez une douille, une clé appropriée doit être utilisée à la place d'autres outils.
- 6 . Lors de l'utilisation d'une douille , le couple et la vitesse corrects doivent être sélectionnés en fonction des besoins du travail.

Liste des modèles

| SN | Modèle | Qté | Taper | Liste des sockets |
|----|--------|-----|--|--|
| 1 | XL3066 | 18 | 3/8" Profondeur métrique | 15 pièces 8, 9, 10, 11, 12, 13, 14, 15, 16, 17, 18, 19, 20, 21, 22 mm 1 * joint universel 2 * tiges d'extension (6", 10") |
| 2 | XL3070 | 15 | 3/8" métrique ultra court | 15 pièces 10, 11, 12, 13, 14, 15, 16, 17, 18, 19, 20, 21, 22, 23, 24 mm |
| 3 | XL3067 | 15 | 1/4" métrique/SAE profond/peu profond | 11 pièces SAE profondeur : 5/32", 3/16", 7/32", 1/4", 9/32", 5/16", 11/32", 3/8", 7/16", 1/2", 9/16" 11 pièces SAE peu profondes : 5/32", 3/16", 7/32", 1/4", 9/32", 5/16", 11/32", 3/8", 7/16", 1/2", 9/16" 14 pcs Profondeur métrique : 4, 4,5, 5, 5,5, 6, 7, 8, 9, 10, 11, 12, 13, 14, 15 mm 14 pièces métriques peu profondes : 4, 4,5, 5, 5,5, 6, 7, 8, 9, 10, 11, 12, 13, 14, 15 mm 1 pièce de poignée à cliquet d'entraînement de 1/4 " 1 pièce de tige d'extension d'impact d'entraînement de 3" 1 Tige d'extension d'impact d'entraînement de 8 ", 1 joint universel de 1/4", 1 adaptateur de 3/8 "à 1/4" |

| | | | | |
|---|--------|----|--|--|
| 4 | XL3068 | 48 | 1/4" métrique/SAE profond/peu profond | 10 pièces SAE profondes : 3/16", 7/32", 1/4", 9/32", 5/16", 11/32", 3/8", 7/16", 1/2", 9/16" 10 pièces SAE peu profondes : 3/16", 7/32", 1/4", 9/32", 5/16", 11/32", 3/8", 7/16", 1/2", 9/16" 14 pièces Profondeur métrique : 4, 4,5, 5, 5,5, 6, 7, 8, 9, 10, 11, 12, 13, 14, 15 mm 14 pièces Métrique peu profonde : 4, 4,5, 5 , 5,5, 6, 7, 8, 9, 10, 11, 12, 13, 14, 15 mm |
| 5 | XL3071 | 14 | 1/4" métrique de profondeur | 14 pièces 4, 4,5, 5, 5,5, 6, 7, 8, 9, 10, 11, 12, 13, 14, 15 mm |

Entretien

1. Après avoir utilisé la douille , elle doit être nettoyée en temps opportun et recouverte d'une quantité appropriée d'huile lubrifiante pour prolonger la durée de vie de la douille .
2. Après une longue période de non-utilisation de la prise , elle doit être placée dans un endroit sec et aéré pour éviter la rouille et affecter son utilisation.
3. Vérifiez régulièrement l'usure et les dommages de la prise et remplacez les composants endommagés en temps opportun.

Adresse : Shuangchenglu 803nong11hao1602A-1609shi, baoshanqu, Shanghai 200000 CN.

Importé en Australie : SIHAO PTY LTD. 1 ROKEVA STREETASTWOOD NSW 2122 Australie

Importé aux États-Unis : Sanven Technology Ltd. Suite 250, 9166 Anaheim Place, Rancho Cucamonga, CA 91730

Fabriqué en Chine

| | |
|-----------|------------|
| EC | REP |
|-----------|------------|

E-CrossStu GmbH
Mainzer Landstr.69, 60329 Frankfurt am Main.

| | |
|-----------|------------|
| UK | REP |
|-----------|------------|

YH CONSULTING LIMITED.
C/O YH Consulting Limited Office 147, Centurion House,
London Road, Staines-upon-Thames, Surrey, TW18 4AX

VEVOR[®]

TOUGH TOOLS, HALF PRICE

Assistance technique et certificat de garantie électronique

www.vevor.com/support

VEVOR[®]

TOUGH TOOLS, HALF PRICE

Technische ondersteuning en e-garantiecertificaat www.vevor.com/support

IMPACT DOPSLEUTELSET GEBRUIKERSHANDLEIDING

We continue to be committed to provide you tools with competitive price.

"Save Half", "Half Price" or any other similar expressions used by us only represents an estimate of savings you might benefit from buying certain tools with us compared to the major top brands and does not necessarily mean to cover all categories of tools offered by us. You are kindly reminded to verify carefully when you are placing an order with us if you are actually saving half in comparison with the top major brands.

VEVOR®

TOUGH TOOLS, HALF PRICE

IMPACT SOCKET SET

MODEL: XL3066 / XL3070/ XL3067/ XL3068/ XL3071

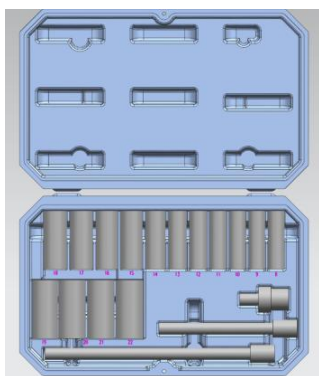


Foto ter referentie

NEED HELP? CONTACT US!

Have product questions? Need technical support? Please feel free to contact us:

Technical Support and E-Warranty Certificate
www.vevor.com/support

This is the original instruction, please read all manual instructions carefully before operating. VEVOR reserves a clear interpretation of our user manual. The appearance of the product shall be subject to the product you received. Please forgive us that we won't inform you again if there are any technology or software updates on our product.



WAARSCHUWING:

6. Houd u aan de veiligheidsprocedures: Begrijp vóór gebruik de gebruiksmethoden en veiligheidsmaatregelen van het gereedschap grondig om ongelukken te voorkomen.
2. Regelmatige inspectie en onderhoud: controleer regelmatig de slijtage van gereedschappen, vervang beschadigde onderdelen tijdig en zorg voor stabiele gereedschapsprestaties.
3. Opslagmethode: plaats het gereedschap in een droge, geventileerde en donkere omgeving om factoren zoals vocht, hoge temperaturen en botsingen te vermijden die de levensduur van het gereedschap kunnen beïnvloeden.
4. Geclassificeerde opslag: classificeer en bewaar verschillende gereedschappen voor gemakkelijke en snelle toegang tijdens gebruik.

Selecteer en gebruik

1. Kies een stopcontact dat geschikt is voor eigen gebruik. Verschillende werkdoeleinden en werkomstandigheden vereisen de keuze van verschillende stopcontacten .
- 2 . Kies zoveel mogelijk voor gestandaardiseerde stopcontacten voor gemakkelijke vervanging en onderhoud.
- 3 . Controleer voordat u de dop gebruikt of de as van de dop en het gereedschap consistent zijn om een correcte toepassing te garanderen.
- 4 . Bij gebruik van de dop is het belangrijk om de juiste bedieningsmethode te volgen en overmatig draaien te vermijden om schade aan het gereedschap te voorkomen.
- 5 . Bij gebruik van een dopsleutel moet in plaats van ander gereedschap een geschikte sleutel worden gebruikt.
- 6 . Bij gebruik van een dop moet het juiste koppel en toerental worden geselecteerd op basis van de werkbehoeften.

Modellijst

| SN | Model | Aantal | Type | Socketlijst |
|----|--------|--------|------------------------------|--|
| 1 | XL3066 | 18 | 3/8"Metrische diepte | 15 stuks 8, 9, 10, 11, 12, 13, 14, 15, 16, 17, 18, 19, 20, 21, 22 mm 1 * Kruiskoppeling 2 * Verlengstangen (6", 10") |
| 2 | XL3070 | 15 | 3/8" Metrisch Ultrakort | 15 stuks 10, 11, 12, 13, 14, 15, 16, 17, 18, 19, 20, 21, 22, 23, 24 mm |
| 3 | XL3067 | 15 | 1/4"Metrisch/SAE diep/ondiep | 11 stuks SAE diepte: 5/32", 3/16", 7/32", 1/4", 9/32", 5/16", 11/32", 3/8", 7/16", 1/2", 9/16" 11 stuks SAE ondiep: 5/32", 3/16", 7/32", 1/4", 9/32", 5/16", 11/32", 3/8", 7/16", 1/2", 9/16" 14 stuks Metrische diepte: 4, 4.5, 5, 5.5, 6, 7, 8, 9, 10, 11, 12, 13, 14, 15 mm 14 stuks Metrisch ondiep: 4, 4.5, 5, 5.5, 6, 7, 8, 9, 10, 11, 12, 13, 14, 15mm 1 stuks 1/4" ratelhandgreep 1 stuks 3" Drive Impact Verlengstang 1 st 8" Drive Impact Verlengstang 1 st 1/4 " kruiskoppeling 1 st 3/8 "naar 1/4" adapter |

| | | | | |
|---|--------|----|------------------------------|--|
| 4 | XL3068 | 48 | 1/4"Metrisch/SAE diep/ondiep | <p>10 stuks SAE diep: 3/16", 7/32", 1/4", 9/32", 5/16", 11/32", 3/8", 7/16" , 1/2", 9/16"</p> <p>10 stuks SAE ondiep: 3/16", 7/32", 1/4", 9/32", 5/16", 11/32", 3/8", 7/16", 1 /2", 9/16 "</p> <p>14 stuks Metrische diepte: 4, 4,5, 5, 5,5, 6, 7, 8, 9, 10, 11, 12, 13, 14, 15 mm</p> <p>14 stuks Metrisch ondiep: 4, 4,5, 5 , 5,5, 6, 7, 8, 9, 10, 11, 12, 13, 14, 15 mm</p> |
| 5 | XL3071 | 14 | 1/4"metrisch diep | 14 stuks 4, 4,5, 5, 5,5, 6, 7, 8, 9, 10, 11, 12, 13, 14, 15 mm |

Onderhoud

1. Na gebruik van de mof moet deze tijdig worden gereinigd en met een geschikte hoeveelheid smeerolie worden gecoat om de levensduur van de mof te verlengen .
2. Nadat het stopcontact lange tijd niet is gebruikt, moet het op een droge en geventileerde plaats worden geplaatst om roesten en het gebruik ervan te voorkomen.
3. Controleer regelmatig de slijtage en beschadiging van de socket en vervang beschadigde componenten tijdig.

Adres: Shuangchenglu 803nong11hao1602A-1609shi, baoshanqu, shanghai 200000 CN.

Geïmporteerd naar AUS: SIHAO PTY LTD. 1 ROKEVA
STREETEASTWOOD NSW 2122 Australië

Geïmporteerd naar de VS: Sanven Technology Ltd. Suite 250, 9166 Anaheim Place, Rancho Cucamonga, CA 91730

Gemaakt in China

| | |
|-----------|------------|
| EC | REP |
|-----------|------------|

E-CrossStu GmbH
Mainzer Landstr.69, 60329 Frankfurt am Main.

| | |
|-----------|------------|
| UK | REP |
|-----------|------------|

YH CONSULTING LIMITED.
C/O YH Consulting Limited Office 147, Centurion House,
London Road, Staines-upon-Thames, Surrey, TW18 4AX

VEVOR[®]

TOUGH TOOLS, HALF PRICE

Technische ondersteuning en e-garantiecertificaat

www.vevor.com/support

VEVOR[®]

TOUGH TOOLS, HALF PRICE

Teknisk support och e-garanticertifikat www.vevor.com/support

IMPACT SOCKET SET ANVÄNDARMANUAL

We continue to be committed to provide you tools with competitive price. "Save Half", "Half Price" or any other similar expressions used by us only represents an estimate of savings you might benefit from buying certain tools with us compared to the major top brands and does not necessarily mean to cover all categories of tools offered by us. You are kindly reminded to verify carefully when you are placing an order with us if you are actually saving half in comparison with the top major brands.

VEVOR®

TOUGH TOOLS, HALF PRICE

IMPACT SOCKET SET

MODELL: XL3066 / XL3070/ XL3067/ XL3068/ XL3071

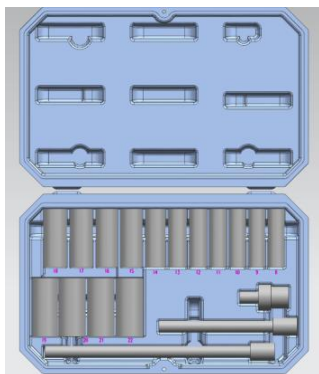


Foto för referens

NEED HELP? CONTACT US!

Have product questions? Need technical support? Please feel free to contact us:

Technical Support and E-Warranty Certificate
www.vevor.com/support

This is the original instruction, please read all manual instructions carefully before operating. VEVOR reserves a clear interpretation of our user manual. The appearance of the product shall be subject to the product you received. Please forgive us that we won't inform you again if there are any technology or software updates on our product.

SAFETY INSTRUCTION AND PRECAUTIONS



VARNING:

7. Följ säkerhetsrutiner: Före användning, förstå verktygets användningsmetoder och säkerhetsföreskrifter för att förhindra olyckor.
2. Regelbunden inspektion och underhåll: Kontrollera regelbundet slitaget på verktyg, byt ut skadade delar i tid och säkerställ en stabil verktygsprestanda.
3. Förvaringsmetod: Placera verktygen i en torr, ventilerad och mörk miljö för att undvika faktorer som fukt, hög temperatur och kollision som kan påverka verktygets livslängd.
4. Klassificerad förvaring: Klassificera och förvara olika verktyg för enkel och snabb åtkomst under användning.

Välj och använd

1. Välj ett uttag som är lämpligt för ditt eget bruk. Olika arbetsändamål och arbetsförhållanden kräver val av olika uttag .
- 2 . Välj standardiserade uttag så mycket som möjligt för enkelt byte och underhåll.
- 3 . Innan du använder hylsan , kontrollera om axeln för hylsan och verktyget är konsekventa för att säkerställa korrekt applicering.
- 4 . När du använder uttaget är det viktigt att följa rätt arbetssätt och undvika överdriven vridning för att undvika att skada verktyget.
- 5 . När du använder en hylsa bör en lämplig skiftnyckel användas istället för andra verktyg.
- 6 . Vid användning av ett uttag bör rätt vridmoment och varvtal väljas enligt arbetsbehovet.

Modellista

| SN | Modell | Antal | Typ | Socket List |
|----|--------|-------|-----------------------------|---|
| 1 | XL3066 | 18 | 3/8" metriskt djup | 15 st 8. 9, 10, 11, 12, 13, 14, 15, 16, 17, 18, 19, 20, 21, 22mm 1 * Universalknut 2 * Förlängningsstag (6", 10") |
| 2 | XL3070 | 15 | 3/8" Metrisk UltraShort | 15 st 10, 11, 12, 13, 14, 15, 16, 17, 18, 19, 20, 21, 22, 23, 24 mm |
| 3 | XL3067 | 15 | 1/4" Metrisk/SAE djup/grund | 11 st SAE djup: 5/32", 3/16", 7/32", 1/4", 9/32", 5/16", 11/32", 3/8", 7/16", 1/2", 9/16" 11 st SAE grunt: 5/32 ", 3/16", 7/32 ", 1/4", 9/32 ", 5/16", 11/32 ", 3/8", 7/16", 1/2", 9/16" 14 st Metriskt djup: 4, 4,5, 5, 5,5, 6, 7, 8, 9, 10, 11, 12, 13, 14, 15 mm 14 st Metriska grunda: 4, 4,5, 5, 5,5, 6, 7, 8, 9, 10, 11, 12, 13, 14, 15 mm 1 st 1/4" drivspärrhandtag 1 st 3" Drive Impact Extension Rod 1 st 8 "Drive Impact Extension Rod 1 st 1/4" universalknut 1 st 3/8 "till 1/4" adapter |
| 4 | XL3068 | 48 | 1/4" Metrisk/SAE djup/grund | 10 st SAE djup: 3/16", 7/32", 1/4", 9/32", 5/16", 11/32", 3/8", 7/16", 1/2", 9/16" 10 st SAE grunt: 3/16", 7/32", 1/4", 9/32", 5/16", 11/32", 3/8", 7/16", 1/2", 9/16" 14 st Metriskt djup: 4, 4,5, 5, 5,5, 6, 7, 8, 9, 10, 11, 12, 13, 14, 15 mm 14 st Metriskt grunt: 4, 4,5, 5, 5,5, 6, 7, 8, 9, 10, 11, 12, 13, 14, 15 mm |
| 5 | XL3071 | 14 | 1/4" metriskt djup | 14 st 4, 4,5, 5, 5,5, 6, 7, 8, 9, 10, 11, 12, 13, 14, 15 mm |

Underhåll

1. Efter att ha använt uttaget ska det rengöras i tid och täckas med en lämplig mängd smörjolja för att förlänga uttagets livslängd .
2. Efter att uttaget inte använts under en längre tid bör det placeras på en torr och ventilerad plats för att undvika att rosta och påverka användningen.
3. Kontrollera regelbundet slitage och skador på uttaget och byt ut skadade komponenter i tid.

Adress: Shuangchenglu 803nong11hao1602A-1609shi, baoshanqu, shanghai 200000 CN.

Importerad till AUS: SIHAO PTY LTD. 1 ROKEVA STREET EASTWOOD NSW 2122 Australien

Importerad till USA: Sanven Technology Ltd. Suite 250, 9166 Anaheim Place, Rancho Cucamonga, CA 91730

Tillverkad i Kina



E-CrossStu GmbH

Mainzer Landstr.69, 60329 Frankfurt am Main.



YH CONSULTING LIMITED.

C/O YH Consulting Limited Office 147, Centurion House, London Road, Staines-upon-Thames, Surrey, TW18 4AX

VEVOR[®]

TOUGH TOOLS, HALF PRICE

Teknisk support och e-garanticertifikat

www.vevor.com/support

VEVOR[®]

TOUGH TOOLS, HALF PRICE

Soporte técnico y certificado de garantía electrónica www.vevor.com/support

JUEGO DE VASOS DE IMPACTO MANUAL DE USUARIO

We continue to be committed to provide you tools with competitive price. "Save Half", "Half Price" or any other similar expressions used by us only represents an estimate of savings you might benefit from buying certain tools with us compared to the major top brands and does not necessarily mean to cover all categories of tools offered by us. You are kindly reminded to verify carefully when you are placing an order with us if you are actually saving half in comparison with the top major brands.

VEVOR®

TOUGH TOOLS, HALF PRICE

IMPACT SOCKET SET

MODELO: XL3066 /XL3070/XL3067/XL3068/XL3071

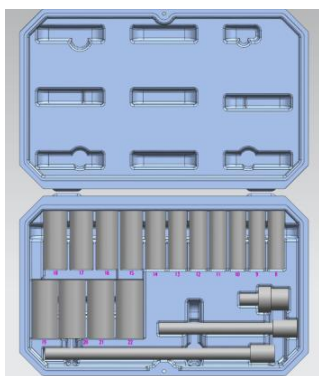


Foto como referencia

NEED HELP? CONTACT US!

Have product questions? Need technical support? Please feel free to contact us:

Technical Support and E-Warranty Certificate
www.vevor.com/support

This is the original instruction, please read all manual instructions carefully before operating. VEVOR reserves a clear interpretation of our user manual. The appearance of the product shall be subject to the product you received. Please forgive us that we won't inform you again if there are any technology or software updates on our product.

SAFETY INSTRUCTION AND PRECAUTIONS



ADVERTENCIA:

8. Cumpla con los procedimientos operativos de seguridad: antes de usarla, comprenda a fondo los métodos de uso y las precauciones de seguridad de la herramienta para evitar accidentes.
2. Inspección y mantenimiento regulares: verifique periódicamente el desgaste de las herramientas, reemplace las piezas dañadas de manera oportuna y garantice un rendimiento estable de la herramienta.
3. Método de almacenamiento: Coloque las herramientas en un ambiente seco, ventilado y oscuro para evitar factores como la humedad, las altas temperaturas y las colisiones que puedan afectar la vida útil de la herramienta.
4. Almacenamiento clasificado: clasifique y almacene varias herramientas para un acceso fácil y rápido durante su uso.

Seleccionar y usar

1. Elija un enchufe que sea adecuado para su propio uso. Diferentes propósitos y condiciones de trabajo requieren la selección de diferentes enchufes .
- 2 . Elija enchufes estandarizados tanto como sea posible para facilitar el reemplazo y el mantenimiento.
- 3 . Antes de utilizar el casquillo , compruebe si el eje del casquillo y la herramienta son consistentes para garantizar una aplicación correcta.
- 4 . Al utilizar el casquillo , es importante seguir el método de funcionamiento correcto y evitar una torsión excesiva para evitar dañar la herramienta.
- 5 . Cuando se utiliza un casquillo, se debe utilizar una llave adecuada en lugar de otras herramientas.
- 6 . Cuando se utiliza un casquillo , se debe seleccionar el par y la velocidad correctos según las necesidades del trabajo.

Lista de modelos

| SN | Modelo | Cantidad | Tipo | Lista de enchufes |
|----|--------|----------|--|---|
| 1 | XL3066 | 18 | 3/8"Profundidad métrica | 15 piezas 8, 9, 10, 11, 12, 13, 14, 15, 16, 17, 18, 19, 20, 21, 22 mm 1 * Junta universal 2 * Varillas de extensión (6", 10") |
| 2 | XL3070 | 15 | Ultracorto métrico de 3/8" | 15 piezas 10, 11, 12, 13, 14, 15, 16, 17, 18, 19, 20, 21, 22, 23, 24 mm. |
| 3 | XL3067 | 15 | 1/4"Métrico/SAE profundo/poco profundo | 11 piezas SAE profundidad: 5/32", 3/16", 7/32", 1/4", 9/32", 5/16", 11/32", 3/8", 7/16", 1/2", 9/16" 11 piezas SAE poco profundas: 5/32 ", 3/16", 7/32 ", 1/4", 9/32 ", 5/16", 11/32 ", 3 /8", 7/16 ", 1/2", 9/16" 14 piezas Profundidad métrica: 4, 4,5, 5, 5,5, 6, 7, 8, 9, 10, 11, 12, 13, 14, 15 mm 14 piezas Métricas poco profundas: 4, 4,5, 5, 5,5, 6, 7, 8, 9, 10, 11, 12, 13, 14, 15 mm 1 pieza Mango de trinquete con accionamiento de 1/4" 1 pieza Varilla de extensión de impacto con accionamiento de 3" 1 pc Varilla de extensión de impacto de accionamiento de 8 " 1 pc Junta universal de 1/4" 1 pc Adaptador de 3/8 "a 1/4" |

| | | | | |
|---|--------|----|---|---|
| 4 | XL3068 | 48 | 1/4" Métrico/SAE profundo/poco profundo | <p>10 piezas SAE de profundidad: 3/16", 7/32", 1/4", 9/32", 5/16", 11/32", 3/8", 7/16", 1/2", 9/16"</p> <p>10 piezas SAE poco profundas: 3/16", 7/32", 1/4", 9/32", 5/16", 11/32", 3/8", 7/16", 1/2", 9/16"</p> <p>14 piezas Profundidad métrica: 4, 4,5, 5, 5,5, 6, 7, 8, 9, 10, 11, 12, 13, 14, 15 mm</p> <p>14 piezas Métrica poco profunda: 4, 4,5, 5, 5,5, 6, 7, 8, 9, 10, 11, 12, 13, 14, 15 mm</p> |
| 5 | XL3071 | 14 | 1/4" métrico de profundidad | 14 piezas 4, 4,5, 5, 5,5, 6, 7, 8, 9, 10, 11, 12, 13, 14, 15 mm |

Mantenimiento

1. Después de usar el casquillo , se debe limpiar de manera oportuna y cubrir con una cantidad adecuada de aceite lubricante para extender la vida útil del casquillo .
2. Después de no utilizar el enchufe durante mucho tiempo, se debe colocar en un lugar seco y ventilado para evitar que se oxide y afecte su uso.
3. Verifique periódicamente el desgaste y los daños del casquillo y reemplace los componentes dañados de manera oportuna.

Dirección: Shuangchenglu 803nong11hao1602A-1609shi, baoshanqu, shanghai 200000 CN.

Importado a AUS: SIHAO PTY LTD. 1 ROKEVA STREETASTWOOD NSW 2122 Australia

Importado a EE. UU.: Sanven Technology Ltd. Suite 250, 9166 Anaheim Place, Rancho Cucamonga, CA 91730

Hecho en china

| | |
|-----------|------------|
| EC | REP |
|-----------|------------|

E-CrossStu GmbH
Mainzer Landstr.69, 60329 Frankfurt am Main.

| | |
|-----------|------------|
| UK | REP |
|-----------|------------|

YH CONSULTING LIMITED.
C/O YH Consulting Limited Office 147, Centurion House,
London Road, Staines-upon-Thames, Surrey, TW18 4AX

VEVOR[®]
TOUGH TOOLS, HALF PRICE

Soporte técnico y certificado de garantía electrónica
www.vevor.com/support