



WINE CELLAR DRAWER COMBO

Models:
SWCDAR24 SWCDAF24 SWCDRF24
SWCDAR24PNR SWCDAF24PNR SWCDRF24PNR

User Manual

BEFORE USE, PLEASE READ AND FOLLOW ALL SAFETY RULES AND OPERATING INSTRUCTIONS.

Write Model and Serial Numbers (on back of unit) here:

Felix Storch, Inc.
An ISO 9001:2015 registered company
770 Garrison Avenue
Bronx, NY 10474
www.summitappliance.com

TABLE OF CONTENTS

Appliance Safety	3
Important Safeguards	3-4
Installation Instructions	5-9
<i>Before Using your Appliance</i>	5
<i>Installation of your Appliance</i>	5
<i>Electrical Connection</i>	5-6
<i>Extension Cord</i>	6
<i>Anti-Tip Bracket Installation</i>	6
<i>Reversing the door Swing for the ALWC532</i>	7
<i>Panel Installation Instructions for the ALWC352PNR</i>	8
<i>Panel Installation Instructions for the Drawer Fronts</i>	9
Operating your Appliance	10-16
<i>Control Panel for the ALWC532</i>	10-11
<i>Control Panel for the SCFF532D</i>	11-13
<i>Control Panel for the FF642D</i>	13-14
<i>Control Panel for the SPRF34D</i>	14-15
Cleaning and Care	17
<i>Cleaning your Appliance</i>	17
<i>Power Failure</i>	17
<i>Vacations</i>	17
<i>Moving your Appliance</i>	17
<i>Energy-Saving Tips</i>	17
Troubleshooting	18-19
Limited Warranty	20

APPLIANCE SAFETY

Your safety and the safety of others are very important.

We have provided many important safety messages in this manual and on your appliance. Always read and obey all safety messages.



This is the Safety Alert Symbol. The symbol alerts you to potential hazards that can kill or injure you and others. All safety messages will follow the Safety Alert Symbol and either the words "DANGER" or "WARNING".



DANGER means that failure to heed this safety statement may result in severe personal injury or death.



WARNING means that failure to heed this safety statement may result in extensive product damage, serious personal injury, or death.

All safety messages will alert you about the potential hazard, tell you how to reduce the chance of injury, and let you know what can happen if the instructions are not followed.

IMPORTANT SAFEGUARDS



Before the appliance is used, it must be properly positioned and installed as described in this manual, so read the manual carefully. To reduce the risk of fire, electrical shock or injury when using the appliance, follow basic precautions, including the following:



- Plug into a grounded 3-prong outlet, do not remove grounding prong, do not use an adapter, and do not use an extension cord.
- Replace all panels before operating.
- It is recommended that a separate circuit serving only your appliance be provided. Use receptacles that cannot be turned off by a switch or pull chain.
- Never clean appliance parts with flammable fluids. These fumes can create a fire hazard or explosion. And do not store or use gasoline or other flammable vapors and liquids in the vicinity of this or any other appliance. The fumes can create a fire hazard or explosion.
- Before proceeding with cleaning and maintenance operations, make sure the power line of the unit is disconnected. Failure to do so can result in electrical shock or death.
- Do not connect or disconnect the electric plug when your hands are wet.
- Do not attempt to repair or replace any part of your appliance unless it is specifically recommended in this manual. All other servicing should be referred to a qualified technician.
- This appliance is CFC- and HFC-free and contains small quantities of Isobutane (R600a) which is environmentally friendly, but flammable. It does not damage the ozone layer, nor does it increase the greenhouse effect. Care must be taken during transportation and setting up of the appliance that no parts of the cooling system are damaged. Leaking coolant can ignite and may damage the eyes.
- In the event of any damage:
 - Avoid open flames and anything that creates a spark,
 - Disconnect from the electrical power line,
 - Air the room in which the appliance is located for several minutes, and
 - Contact the Service Department for advice.

- The more coolant there is in an appliance, the larger the room it should be installed in. In the event of a leakage, if the appliance is in a small room, there is the danger of combustible gases building up. For every ounce of coolant at least 325 cubic feet of room space is required. The amount of coolant in the appliance is stated on the data plate on the back of the appliance. It is hazardous for anyone other than an Authorized Service Person to carry out servicing or repairs to this appliance.
- Take serious care when handling, moving, and using the appliance to avoid either damaging the refrigerant tubing or increasing the risk of a leak.

FOLLOW WARNING CALLOUTS BELOW ONLY WHEN APPLICABLE TO YOUR MODEL

- This unit is intended FOR INDOOR USE ONLY.
- Use two or more people to move and install appliance. Failure to do so can result in back or other injury.
- Choose a well-ventilated area with temperatures above 60°F (16°C) and below 90°F (32°C) (The optimal operating range is between 72° and 78°F, or 23° to 26°C.) This unit must be installed in an area protected from the elements, such as wind, rain, water spray or drips.
- The appliance should not be located next to ovens, grills or other sources of high heat.
- Never place heavy objects or items containing water on top of the unit. Spilled water could deteriorate the insulation of electrical components and result in electrical leakage.
- The appliance must be installed with all electrical, water and drain connections in accordance with state and local codes. A standard electrical supply (115 V AC only, 60 Hz), properly grounded in accordance with the National Electrical Code and local codes and ordinances, is required.
- Do not throw items onto the shelves and do not place items totaling more than 65 lbs on each shelf. The shelf could fall, possibly causing injury.
- Do not kink or pinch the power supply cord of the appliance.
- The size of the fuse (or circuit breaker) should be 15 amperes.
- It is important that the appliance be leveled in order to work properly. You may need to make several adjustments to level it.
- All installations must be in accordance with local plumbing code requirements.
- Make certain that the pipes are not pinched, kinked or damaged during installation.
- Check for leaks after connection.
- Never allow children to operate, play with or crawl inside the appliance.
- Do not allow anyone to hang from the door or climb onto the unit. The unit could tip over and fall, causing material damage and injury.
- Do not use solvent-based cleaning agents or abrasives on the interior. These cleaners may damage or discolor the interior.
- This appliance is intended for storage and display of beverages for sale. Use this appliance only for its intended purpose.
- Keep fingers out of the “pinch point” areas. Clearances between the doors and between the doors and cabinet are necessarily small. Be careful closing doors when children are in the area.



Risk of child entrapment!

Child entrapment and suffocation are not problems of the past. Junked or abandoned appliances are still dangerous, even if they will “just sit in the garage a few days”.

Before discarding your old refrigerator:

- *Take off the doors*
- *Leave the shelves in place so that children may not easily climb inside.*

- SAVE THESE INSTRUCTIONS -

INSTALLATION INSTRUCTIONS

Before Using your Appliance

- Remove the exterior and interior packing.
- Before connecting the appliance to the power source, let it stand upright for approximately 2 hours. This will reduce the possibility of a malfunction in the cooling system from handling during transportation.
- Clean the interior surface with lukewarm water using a soft cloth.
- Install the door handles, if they are not already attached.

Installation of your Appliance

- The appliance is designed for free-standing or built-in (fully recessed) installation.
- If free standing, the unit should have at least 4" of clearance at both sides, at the top and at the back to allow for adequate ventilation. If it is built-in, leave 3/16" at both sides, 1/16" at the top and 2" at the rear. Be sure that airflow under the appliance is not blocked.
- Take care that the air vent at the front of the appliance is never covered or blocked in any way.
- Place your appliance on a floor that is strong enough to support it when it is fully loaded. To level your appliance, adjust the front leveling legs at the bottom.
- Locate the appliance away from direct sunlight and sources of heat (stove, heater, radiator, etc.). Direct sunlight may affect the acrylic coating and heat sources may increase electrical consumption. Extremely cold ambient temperatures may also cause the unit not to perform properly. Avoid locating the unit in moist areas.
- Plug the appliance into an exclusive, properly installed and grounded wall outlet. Do not under any circumstances cut or remove the third (ground) prong from the power cord. Any questions concerning power and/or grounding should be directed toward a certified and authorized products service center
- The handles are stored inside the unit. Install using the screws (supplied).

Electrical Connection



WARNING

Improper use of the grounded plug can result in the risk of electrical shock. If the power cord is damaged, have it replaced by a qualified electrician or an authorized service center.

This appliance should be properly grounded for your safety. The power cord of this appliance is equipped with a three-prong plug which mates with standard three-prong wall outlets to minimize the possibility of electrical shock.

Do not under any circumstances cut or remove the third (ground) prong from the power cord supplied. For personal safety, this appliance must be properly grounded.

This appliance requires a standard 115/120 Volt AC ~ 60Hz three-prong grounded electrical outlet. Have the wall outlet and circuit checked by a qualified electrician to make sure the outlet is properly grounded. When a standard 2-prong wall outlet is encountered, it is your responsibility and obligation to have it replaced with a properly grounded 3-prong wall outlet.

To prevent accidental injury, the cord should be secured behind the appliance and not left exposed or dangling.

The appliance should always be plugged into its own individual electrical outlet which has a voltage rating that matches the rating label on the appliance. This provides the best performance and also prevents overloading house wiring circuits that could cause a fire hazard from overheating. Never unplug the appliance by pulling on the power cord. Always grip the plug firmly and pull straight out from the receptacle. Repair or replace immediately all power cords that have become frayed or otherwise damaged. Do not use a cord that shows cracks or abrasion damage along its length or at either end. When moving the appliance, be careful not to damage the power cord.

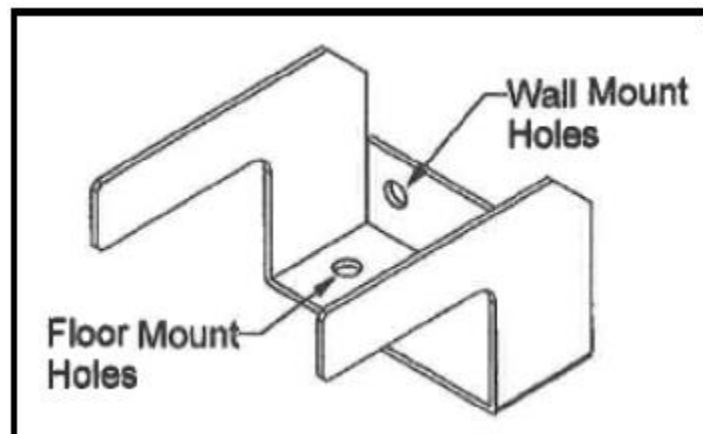
Extension Cord

Because of potential safety hazards under certain conditions, it is strongly recommended that you do not use an extension cord with this appliance. However, if you must use an extension cord, it is absolutely necessary that it be a UL/CUL-Listed, 3-wire grounding type appliance extension cord having a grounding type plug and outlet and that the electrical rating of the cord be 115 volts and at least 10 amperes.

Anti-tip Bracket Installation

When properly installed, the anti-tip brackets will keep your appliance from tipping forward, even when an unexpected weight is placed on the front of the unit. Follow these instructions to ensure proper installation.

The brackets must be firmly screwed into the floor or wall behind the unit, depending on the height of the unit off the floor. The anchoring screws should be appropriate to the type of surface your unit will be anchored to.



- Mark the locations of the screw holes of the anti-tip brackets so that the brackets align with the rear grillwork cutouts.
- Use an appropriate masonry drill bit, depending on what type of surface your unit will be anchored to. Drill into a suitable foundation, either wood studs or joists.

NOTE: The brackets must not be screwed into sheetrock.

- Secure brackets to the floor or wall, using screws.
- Once the brackets are secured, slide the appliance into place, being sure that the horizontal prongs of the bracket are positioned in the grillwork at the back of the unit. Test the bracket by exerting a downward force on the front of the unit; if it seems stable, the unit is secure.

NOTE: If the unit is relocated, the brackets must be removed and installed in the new location

Reversing the Door Swing (for the ALWC532)

This appliance has the capability of the door opening from either the left or right side. The unit is delivered to you with the door opening from the left side. Should you desire to reverse the opening direction, please follow the instructions below. To make the reversal, you will find two hardware pieces in a plastic bag inside the appliance: the top left hinge and the bottom left hinge. The bottom support bracket is used for both sides.

1. Carefully lay the appliance on its back. Use cushioning to protect the floor and appliance.
2. Using a Phillips screwdriver, remove the two screws and bottom right hinge beneath the door. Keep the hinge in a safe place in case you need to reverse the door again in the future.
3. Carefully slide the door off and place it on a padded surface.
4. Interchange the plastic shaft sleeves at the top of the door.
5. Remove the bottom support bracket from the right side.
6. Remove the top right hinge and keep in a safe place in case you want to reverse the door in the future.
7. Remove the screws from the top left and transfer to the right.
8. Install the top left hinge.
9. Install the bottom left hinge to the door. Do not over-tighten the screw.
10. Place the door back on the appliance, lining up the top hinge.
11. Install the bottom support bracket.
12. Adjust door alignment. When set, tighten screw on hinge.
13. Remove handle. Transfer the screw hole covers to the left and install the handle on the right.

Panel Installation Instructions for the ALWC352PNR

NOTE: Not all units will be panel ready. Visit www.summitappliance.com for more information about your specific model.

Parts included in PNR kit:

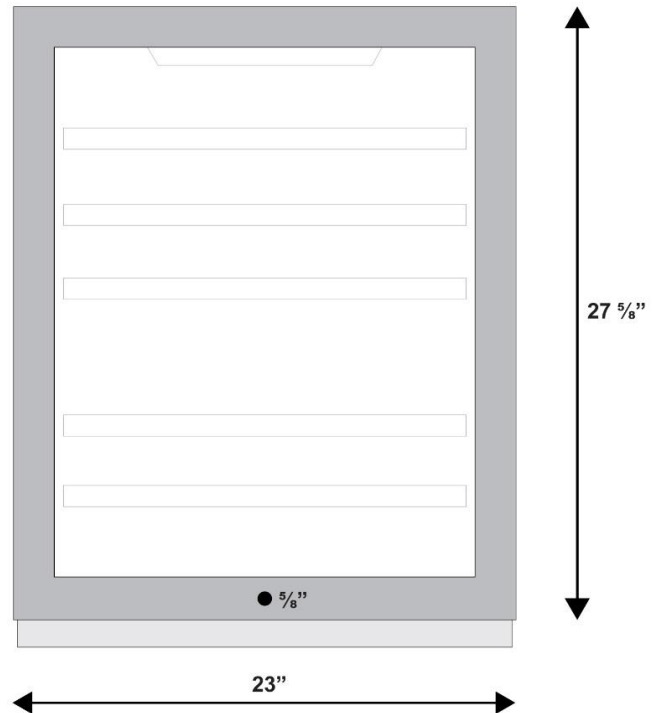
- (8) Screws to attach the custom panel
- (1) Replacement top hinge
- (1) Replacement bottom hinge
- (2) Plastic bushing for panel
- (2) Washers

Panel/Frame Dimensions:

Exterior: 27 $\frac{5}{8}$ " H x 23" W

Overlay panel thickness: $\frac{3}{4}$ " thick

Lock diameter (select models): $\frac{5}{8}$ "



Remove the door from the unit

1. Remove the door from its chassis by unscrewing the top and bottom hinges from the cabinet and door. Save all of the screws for Step 10.

Attach the handle & panel

2. Attach your door handle to the panel using countersunk screws (not included). You can use the handle that ships with this appliance or substitute your own.
3. Pull out the rubber gasket located around the inner door frame to access the eight screw holes from the inside of the door.
4. Place your custom panel over the door pane.
5. Using the provided screws, attach the panel by holding it in place from the front and screwing it onto the door pane from the inside of the door.
6. Reinstall the gasket to its original position.

Reattach the door

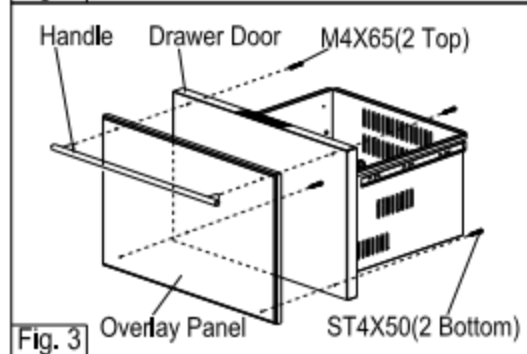
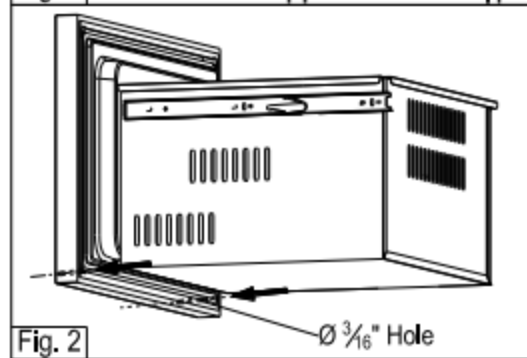
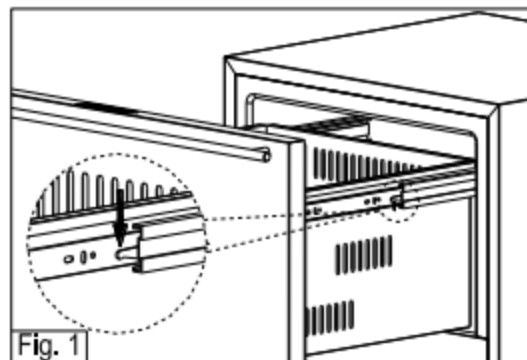
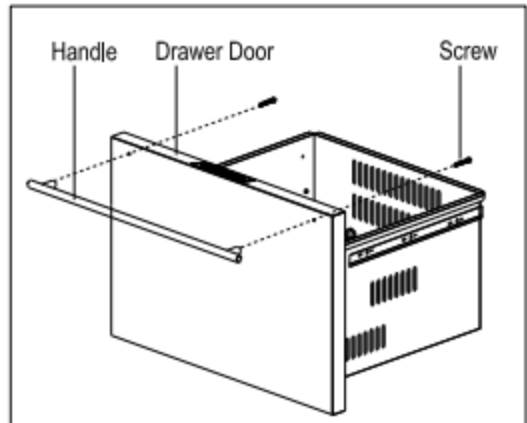
7. You will have to drill a hole into the top and bottom of the custom panel in order to connect it to the new provided hinges. To do this, line the door up in its final position, using the new hinges as a guide to mark where you will be drilling the holes. Drill a hole through the top and bottom of the custom panel using a $\frac{23}{64}$ " drill bit.
8. Insert the provided bushing into the top and bottom holes of the panel.
9. For models with a lock, drill a $\frac{5}{8}$ " minimum keyhole in the door frame as illustrated above.
10. You can now reinstall the door using the replacement hinges.

Panel Installation Instructions for the Drawer Fronts

NOTE: Some units are designed to be panel ready (PNR). Please check www.summitappliance.com if you are unsure if you have a PNR unit.

These models are designed for field-installed overlay panels. The overlay panels cover the stainless steel to give a built-in appearance. The overlay panel and appropriate hardware are not included with the unit and the end user needs to prepare them himself. Please follow the instructions below for installation:

1. Remove any items stored inside the drawers. Press the left slide release lever down and at the same time lift the corresponding right slide lever up, and pull the drawer out until it is free of tracks and the cabinet. (Fig. 1)
2. Peel off the gasket and remove the handle by removing the two screws that attach the handle to the door.
3. Drill the 2 holes shown by using a 3/16" drill bit on the bottom of drawer door front. (Fig. 2)
4. Cut the overlay panels with thickness 3/4" to the following dimensions: 23.43" x 15".
5. If reusing the handles that came with the unit, drill two holes with diameter 3/16" in the overlay panel. Attach the handle and overlay panel together to the drawer face using 2 M4x65 screws and through the upper 2 existing holes inside the door groove. Then attach the overlay panel to the drawer face using 2 wood screws #10x2 (ST4x50) Type AB Phillips and through the lower 2 existing holes inside the door groove. (Fig. 3)
6. If user-supplied handles will be used, attach the handles to the overlay panels by using the flat head screws and drive the screws flush with the panels. Then attach the overlay panel to the drawer face using the 4 wood screws #10x2 (ST4x50) and through the 4 existing holes inside the door groove.
7. Peel back the gaskets, then align the left and right slide channels with the tracks in the cabinet. Ensuring an even track engagement on both sides, gently push the drawer into the cabinet until it stops.



OPERATING YOUR APPLIANCE

It is recommended you install the appliance in a place where the ambient temperature is between 44° and 95°F (7° to 35°C). If the ambient temperature is above or below the recommended temperatures, the performance of the unit may be affected. For example, placing your unit in extremely cold or hot conditions may cause interior temperatures to fluctuate. The expected operating temperature range may not be reached.

Control Panel for the ALWC532 (Top Unit)



ON/OFF Power

To turn the appliance on or off, press the ON/OFF button for 3 seconds.

Lock

If you press and hold the button for 3 seconds, the control panel will lock and cannot be operated again until the button is pressed again. After that, it will operate normally.



Light

You can turn the interior light ON or OFF by pushing the button marked **LIGHT**. The light will turn off automatically if it remains ON for 10 minutes. Pushing the **LIGHT** button again will turn the light back on. For optimum storage of wine, keep the light off except when viewing.

Setting the temperature control

Upper zone adjustable temperature: 5°C to 10°C (41°F to 50°F)

Lower zone adjustable temperature: 10°C to 18°C (50°F to 64°F)

Set the desired temperature by pressing the corresponding buttons, Left  or Right  to decrease. Each press is in 1-degree increment. Once released, set temperature will flash for approximately 5 seconds then revert back to display the internal temperature.

To view your set temperature, press either  button once and LED display will flash set temperature for 5 seconds.

Temperature Conversion

The appliance has the capacity to display temperature in either Celsius or Fahrenheit. To change the temperature scale, press and hold both the  and **LIGHT** buttons simultaneously for approx. 3 seconds.


Run

Indicator light illuminates to signify the cooling mode is currently in operation.

Lock

If illuminated, indicates the control panel is locked.

NOTES:

- If the unit is unplugged or turned off, or if there has been a power failure, you must wait 3 to 5 minutes before restarting the unit. If you attempt to restart before this time delay, the appliance will not start.
- When you use the appliance for the first time, or restart it after it has been shut off for a long time, there could be a few degrees variance between the temperature you select and the one indicated on the display. This is normal and due to the length of inactivation time. Once the appliance has been running for a few hours, everything will be back to normal.
- You may notice condensation on the outer surface of the glass door. This occurs when water vapor from the air contacts the cold surface of the door and the vapor condenses on the glass, causing a fogging effect. In extreme situations, water can even drip off the door, indicating excessive humidity in the environment.
- If the appliance has been off for less than 5 minutes, the compressor will not restart at once when  is pressed. This behavior is built into the control system to protect the compressor.

Recommended Temperatures for Chilling Wine

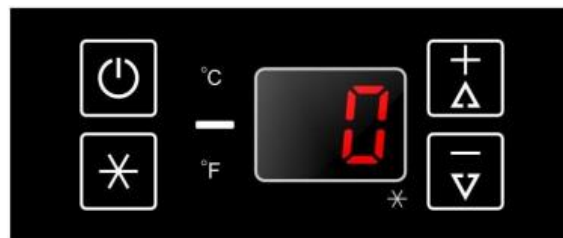
Red Wines: 15 - 18°C (59 - 64.4°F)
Dry / White Wines: 9 - 14 °C (48.2 - 57.2°F)
Sparkling Wines: 5 - 8 °C (41 - 46.4°F)

The cabinet temperature may vary slightly depending on whether or not the interior light is ON or OFF, and whether the bottles are located in the upper/middle or lower section of the cabinet.


Bottle Storage and Capacity

Wine bottles can vary in size and shape, and the stated capacity may not apply to every varietal. For a detailed view showing how your shelves can best accommodate different types of bottles, visit your product on our website and open the “Shelving Guide” included in the Downloads section.

Control Panel for the SCFF532D (Bottom Unit as a Freezer)



ON/OFF Power

To turn the appliance ON or OFF, press and hold the **POWER** key  for 5 seconds.

NOTE: Pressing the **POWER** key once can switch off the audible alarm when the alarm is on.

SuperFreeze

SuperFreeze is used to freeze fresh food quickly. The function overrides the thermostat control and will make the compressor operate continuously. It is not necessary to adjust the thermostat setting when using this function. When the function is selected, the SuperFreeze indicator (the dot at the bottom right of the display) will be ON. The function can be turned off by pressing the key again and the indicator will turn OFF. SuperFreeze will turn off automatically after 8 hours.



Used to increase (warm) the set temperature by 1°C/1°F.



Used to decrease (cool) the set temperature by 1°C/1°F.

°F/°C Selector

Select the temperature display setting in Fahrenheit or Celsius degree. To change the temperature from Fahrenheit to Celsius or from Celsius to Fahrenheit, press and hold the **SUPERFREEZE** key for 5 seconds.

Setting the Temperature Control

- You can set the temperature by pressing the **UP** and **DOWN** keys. When you press either of the two keys for the first time, the LED readout will show the original temperature set previously. (The temperature preset at the factory is 0°F or -18°C.)
- The temperature you are setting will increase by one degree each time you press the **UP** key, and will decrease by one degree each time you press the **DOWN** key.
- The range of set temperatures is from -11°F to 11°F.
- To view the set temperature at any time, press the **UP** or **DOWN** key. The set temperature will flash in the display window for 5 seconds. After 5 seconds, the temperature inside the unit will reappear in the display window.

Interior Light

The unit is equipped with an interior LED light which will be turned ON when a drawer is open.

NOTES:

If the unit is unplugged or power is lost or turned off, you must wait 3 to 5 minutes before restarting the unit. If you attempt to restart before this time delay, the unit will not start. When you use the unit for the first time or restart the unit after it has been shut off for a long time, there could be a few degrees variance between the temperature you select and the one indicated on the LED readout. This is normal and is due to the length of the activation time. There should not be a problem once the unit has been running for a few hours.

Sabbath Mode

Sabbath mode is available for the observance of certain religious holidays. This mode turns off the displays, interior light and audible alarms and prevents them from turning on again. Normal cooling operations will still take place.

To initiate Sabbath mode, press the **POWER** and **SUPERFREEZE** keys at the same time for at least 5 seconds. The indicator light (the dot at the bottom right of the display) will flash four times and confirm the Sabbath mode is ON. Sabbath mode can be canceled by repeating the above process. Sabbath Mode will automatically turn off after 96 hours.

Temperature Memory Function

In the event of a power interruption (power surge, breaker switch, etc.), the unit can remember the previous temperature settings, and when power is recovered, the cabinet temperature will return to the same set temperature as before the power went off.

Defrosting

- Under normal operating conditions, the unit requires no manual defrosting.
- The evaporator behind the rear wall of the unit defrosts automatically. The condensate collects in the drainage channel behind the rear wall of the unit and flows through the drainage hole into the drip tray by the compressor where it evaporates.
- However, frost may accumulate on the evaporator if the unit is repeatedly opened in high heat or high humidity locations.

Using the Freezer

- This unit is designed for the long-term storage of frozen food. Storage time is up to three months.
- The storage life of frozen foods varies and the recommended storage time should not be exceeded.
- Pre-packed commercially frozen food should be stored in accordance with the frozen foods manufacturer's instructions for a three-star frozen food storage compartment or home freezer.
- Place frozen food into the freezer as quickly as possible after purchase. If there are instructions on the packet, carefully follow these instructions regarding storage times.


Temperature Alarm/Door Alarm

- An audible alarm sounds if the storage temperature is not cold enough. The temperature display flashes at the same time.
- The cause of the temperature being too high may be:
 - Warm fresh food was placed inside
 - Too much warm ambient air flowed in when rearranging or removing food
 - Power failure for some time
 - The appliance is faulty.
- The audible alarm is automatically silenced and the temperature display stops flashing when the temperature is sufficiently cold again.
- If a drawer has been left open for more than 60 seconds, the alarm will sound. Pressing the POWER key once switches off the audible alarm.

Control Panel for the FF642D (Bottom Unit as a Refrigerator)



ON/OFF Power

To turn the appliance ON or OFF, press the  symbol and hold for 5 seconds.

NOTE: Pressing the POWER key once can switch off the audible alarm when the alarm is on.

 **UP**

Used to increase (warm) the set temperature by 1°C/1°F.

 **DOWN**

Used to decrease (cool) the set temperature by 1°C/1°F.

°F/°C Selector

Select the temperature display in Fahrenheit or Celsius degrees. To change the temperature from Fahrenheit to Celsius or from Celsius to Fahrenheit, press and hold the LIGHT key for 5 seconds.

Setting the Temperature Control

- You can set the temperature by pressing the **UP** and **DOWN** symbols. When you press either of the two buttons for the first time, the LED readout will show the original temperature set previously. (The temperature preset at the factory is 38°F or 3°C.)
- The temperature you are setting will increase by one degree each time you press the **UP** symbol, and will decrease by one degree each time you press the **DOWN** symbol.
- The range of set temperatures is from 36°F to 43°F.
- To view the set temperature at any time, press the **UP** or **DOWN** symbol. The set temperature will flash in the display window for 5 seconds. After 5 seconds, the temperature inside the unit will reappear in the display window.

Interior Light


The interior light makes it easy to view your items. Pressing the **LIGHT** symbol toggles between 2 modes of operation for the internal lights: functional (default) mode and showcase mode. If you are in functional (default) mode, the lights will turn on only when a drawer is open. If you are in showcase mode, the lights will be on whether or not the drawer is open.

Control Panel for the SPRF34D (Bottom Unit as a Refrigerator/Freezer)



ON/OFF Power

To turn the appliance off, touch and hold the  key for 5 seconds until the temperature display goes off.

To turn the appliance on, touch and hold the  key for 1 second until the temperature display lights up.

NOTE: Touching the **POWER** key once can switch off the audible alarm when the alarm is on.

Setting the Temperature Control

The unit has two separate temperature compartments. You can set the temperature of the bottom compartment (freezer) by touching the left **UP** and **DOWN** symbols and set the temperature of the top compartment (refrigerator) by touching the right **UP** and **DOWN** symbols. When you touch either key for the first time, the LED readout will show the original temperature set previously. (The temperature preset at the factory is 0°F/-18°C for freezer compartment and 39°F/4°C for refrigerator compartment.)

The temperature you are setting will increase by one degree each time you touch the **UP** symbol, and will decrease by one degree each time you touch the **DOWN** symbol.

The range of the temperature control is from -11°F/-24°C to 11°F/-12°C for freezer compartment and from 36°F/2°C to 43°F/6°C for refrigerator compartment.

To view the set temperature at any time, touch the **UP** or **DOWN** symbol. The set temperature will temporarily flash in the display window for 5 seconds. Then the display shows the current inner temperature again.

UP +

Used to increase (warm) the set temperature by 1°C/1°F.

DOWN -

Used to decrease (cool) the set temperature by 1°C/1°F.

°F/°C Selector ^{°C}/_{°F}

Select the temperature display setting in Fahrenheit or Celsius degree.

Indicator Light

The indicator light is the dot located at the bottom right corner of the display. The indicator light will be on when a multi-key function is selected. To perform a multi-key function, touch and hold the first key, then touch the second key for at least 5 seconds and then release both keys.

Child Lock

If in 2 minutes or longer without touching any key, the child lock will be activated automatically. To cancel the lock, touch the **UP** and **DOWN** keys at the same time for at least 5 seconds and the indicator light will flash three times to confirm the action.

NOTE:

If the unit is unplugged or power is lost or turned off, you must wait 3 to 5 minutes before restarting the unit. If you attempt to restart before this time delay, the unit will not start.

When you use the unit for the first time or restart the unit after it has been shut off for a long time, there could be a few degrees variance between the temperature you select and the one indicated on the LED readout. This is normal and is due to the length of the activation time. There should not be a problem once the unit has been running for a few hours.

Interior Light

The unit is equipped with the interior LED lights which will be turned ON when a door is opened. The LED type lights are designed for extremely long life. They are not user serviceable. To change them please contact the service department.

NOTE: Please use only the original LED light fittings provided by the manufacturer.

Sabbath Mode

Sabbath mode is available for the observance of certain religious holidays. This mode turns off the displays, interior light and audible alarms and prevents them from turning on again. Normal cooling operations will still take place.

To initiate Sabbath mode, touch the **POWER** and **°C/F** keys at the same time and hold for at least 5 seconds. The indicator light (the dot at the bottom right of the display) will flash four times and confirm the Sabbath mode is ON.

Sabbath mode can be canceled by repeating the above process. The Sabbath Mode will automatically turn off after 48 hours.

Temperature Memory Function

In the event of a power interruption (power surge, breaker switch, etc.), the unit can remember the previous temperature settings, and when power is recovered, the cabinet temperature will return to the same set temperature as before the power went off.

Defrosting

Under normal operating conditions, the unit requires no manual defrosting.

The evaporator behind the rear wall of the unit defrosts automatically. The condensate collects in the

drainage channel behind the rear wall of the unit and flows through the drainage hole into the drip tray by the compressor where it evaporates.

However, frost may accumulate on the evaporator if the unit is repeatedly opened in high heat or high humidity locations. If this frost pattern does not clear within 24 hours, your unit will require manual defrosting.

Temperature Alarm / Door Alarm

An audible alarm sounds if the storage temperature is not cold enough. The temperature display flashes at the same time.

The cause of the temperature being too high may be:

- Warm fresh food was placed inside
- Too much warm ambient air flowed in when rearranging and removing food
- Power failure for some time
- The appliance is faulty.

The audible alarm is automatically silenced and the temperature display stops flashing when the temperature is sufficiently cold again.

If a drawer has been left open for more than 60 seconds, the alarm will sound. Pressing the **POWER** key once switches off the audible alarm.

CLEANING AND CARE

Cleaning your Appliance

- Turn off the power, unplug the appliance, and remove all items, including racks and dividers.
- Wash the inside surfaces with a solution of warm water and baking soda (about 2 tablespoons of baking soda to a quart of water).
- Wash the racks and dividers with a mild detergent solution.
- Wring excess water out of the sponge or cloth when cleaning the area where the controls are located, or any electrical parts.
- Wash the outside cabinet with warm water and mild liquid detergent. Rinse well and wipe dry with a clean soft cloth.
- Use an approved stainless steel cleaner to clean the doors and handles. Do not use steel wool or a steel brush on the stainless steel.

CAUTION: Failure to unplug the appliance before cleaning could result in electrical shock or other personal injury.

Power Failure

Most power failures are corrected within a few hours and should not affect the temperature of your appliance if you minimize the number of times the door is opened. If your power is going to be off for a longer period of time, you need to take the proper steps to protect your contents.

Vacations

- **Short vacations:** Leave the appliance operating during vacations of less than three weeks.
- **Long vacations:** If the appliance will not be used for several months, remove all items and turn off the appliance. Clean and dry the interior thoroughly. To prevent odor and mold growth, leave the drawers open slightly, blocking them open if necessary.

Transporting Your Appliance

CAUTION: This appliance is very heavy. It should NOT be moved by only one person.

If you need to move your appliance once the box has been discarded:

1. Securely tape down all loose items (shelves) inside your appliance.
2. Turn the adjustable legs up to the base to avoid damage.
3. Tape the door shut.
4. Be sure the appliance stays secure in the upright position during transportation. Also protect the outside of the appliance with a blanket or similar item.

Energy-Saving Tips

- The appliance should be located in the coolest area of the room, away from heat-producing appliances and out of direct sunlight.
- Ensure that the unit is adequately ventilated. Never cover air vents.
- Do not keep the door or drawers open any longer than necessary.
- Let hot or warm items cool to room temperature before placing in the unit. Overloading the unit forces the compressor to run longer.

TROUBLESHOOTING

You can solve many common problems easily, saving you the cost of a possible service call. Try the suggestions below to see if you can solve the problem before calling the servicer.

PROBLEM	POSSIBLE CAUSE	REMEDY
Appliance does not operate.	Appliance is not connected to a power supply. The appliance is turned off. Tripped circuit breaker or blown fuse	Connect the appliance. Switch on the appliance. Switch on circuit breaker or replace fuse.
Appliance is not cold enough.	The temperature is not set correctly. The ambient temperature could require a lower temperature setting. Appliance is opened too often. A drawer was not closed completely. Door or drawer is not hermetically sealed. The condenser is too dirty. The ventilation opening is blocked or too dusty.	Check the set temperature. Set a lower temperature. Do not open door or drawers more often than necessary. Close door or drawers properly. Check the seal and clean or replace. Clean the condenser when necessary. Clear the obstructions and wipe off the dust.
Appliance turns itself on and off frequently.	The room temperature is higher than average. A large amount of food has been added to the unit. The appliance is opened too often. A drawer or door is not closed completely. A gasket does not seal properly.	Put the appliance in a cooler place. Leave the appliance to work for a while until the set temperature has been reached. Do not open the appliance more often than necessary. Close the door or drawer properly. Check the all gasket seals and clean or replace it.
The light does not work.	Appliance is not connected to a power supply. Tripped circuit breaker or a blown fuse. The light was switched off on the control panel.	Connect the appliance. Switch on circuit breaker or replace fuse. Switch on the light.
Vibrations	The appliance is not properly leveled.	Level the appliance with the adjustable feet.
The appliance seems to make too much noise.	The rattling noise may come from the flow of the refrigerant, which is normal. As each cycle ends, you may hear gurgling sounds caused by the flow of refrigerant in your appliance. If temperature fluctuations occur, the contraction and expansion of the inner walls may cause popping and crackling noises.	
	The appliance is not properly leveled.	Level the appliance with the adjustable feet.
Drawers will not close properly.	The appliance is not properly leveled. The gaskets are dirty. The racks or bins are out of position.	Level the appliance with the adjustable feet. Clean the drawer gaskets. Check the racks and bins and refit correctly.
Display "E0", "E1", "E2",	"E0" indicates a communication error for 3 zone models.	Call for service.



<p>“E3”, “E4”, “E5” or “E7”.</p>	<p>“E1” or “E2” indicates that the air temperature sensor has failed. “E3” or “E4” indicates that the defrost sensor in the evaporator has failed. “E5” indicates defrost heater failure. “E7” indicates door switch failure.</p>	
<p>The alarm sounds and the temperature display flashes.</p>	<p>Has a drawer been open for longer than 60 seconds? If not, then the temperature has risen higher or fallen lower than the temperature that has been set. This could be due to: The appliance drawers being opened too often. The ventilation opening being covered or too dusty. A lengthy interruption in the power supply. A large amount of food has been added to the unit.</p>	<p>If yes, close the drawer.</p> <p>Do not open drawers more often than necessary. Clear the obstructions and wipe off the dust. Leave the appliance to work for a while until the set temperature has been reached.</p>
<p>The icon “--” is lit and flashing in the temperature display.</p>	<p>The display temperature is out of range.</p>	<p>Only temperatures within the range 0~99°F/-9~37°C for FF642D and the range -49~99°F/-45~37°C for SCFF532D can be displayed. If the temperature is not within this range, the icon “--” will be displayed instead. This is normal.</p>

LIMITED WARRANTY



ONE-YEAR LIMITED WARRANTY

Within the 48 contiguous United States, for one year from the date of purchase, when this appliance is operated and maintained according to instructions attached to or furnished with the product, warrantor will pay for factory-specified parts and repair labor to correct defects in materials or workmanship. Service must be provided by a designated service company. Outside the 48 states, all parts are warranted for one year from manufacturing defects. Plastic parts, shelves and cabinets are warranted to be manufactured to commercially acceptable standards, and are not covered for damage during handling or breakage.

5-YEAR COMPRESSOR WARRANTY

1. The compressor is covered for 5 years.
2. Replacement does not include labor.

ITEMS WARRANTOR WILL NOT PAY FOR:

1. Service calls to correct the installation of your appliance, to instruct you how to use your appliance, to replace or repair fuses or to correct wiring or plumbing.
2. Service calls to repair or replace appliance light bulbs or broken shelves. Consumable parts (such as filters) are excluded from warranty coverage.
3. Damage resulting from accident, alteration, misuse, abuse, fire, flood, acts of God, improper installation, installation not in accordance with electrical or plumbing codes, or use of products not approved by warrantor.
4. Replacement parts or repair labor costs for units operated outside the United States.
5. Repairs to parts or systems resulting from unauthorized modifications made to the appliance.
6. The removal and reinstallation of your appliance if it is installed in an inaccessible location or is not installed in accordance with published installation instructions.

DISCLAIMER OF IMPLIED WARRANTIES; LIMITATION OF REMEDIES

CUSTOMER'S SOLE AND EXCLUSIVE REMEDY UNDER THIS LIMITED WARRANTY SHALL BE PRODUCT REPAIR AS PROVIDED HEREIN. IMPLIED WARRANTIES, INCLUDING WARRANTIES OF MERCHANTABILITY OR FITNESS FOR A PARTICULAR PURPOSE, ARE LIMITED TO ONE YEAR. WARRANTOR SHALL NOT BE LIABLE FOR INCIDENTAL OR CONSEQUENTIAL DAMAGES. SOME STATES DO NOT ALLOW THE EXCLUSION OR LIMITATION OF INCIDENTAL OR CONSEQUENTIAL DAMAGES, OR LIMITATIONS ON THE DURATION OF IMPLIED WARRANTIES OF MERCHANTABILITY OR FITNESS, SO THESE EXCLUSIONS OR LIMITATIONS MAY NOT APPLY TO YOU. THIS WARRANTY GIVES YOU SPECIFIC LEGAL RIGHTS AND YOU MAY ALSO HAVE OTHER RIGHTS, WHICH VARY FROM STATE TO STATE.



WARNING: This product can expose you to chemicals including Nickel (Metallic) which is known to the State of California to cause cancer.

For more information go to www.P65Warnings.ca.gov

Note: Nickel is a component in all stainless steel and some other metal components.

Felix Storch, Inc.
An ISO 9001:2015 registered company
770 Garrison Avenue
Bronx, NY 10474
www.summitappliance.com

SUMMIT
A P P L I A N C E

For parts and accessory ordering,
troubleshooting and helpful hints, visit:
www.summitappliance.com/support