

# Washer

## Use & Care Guide

### Table of Contents



**Safety** ..... 1-2



**Operating Tips** ..... 3-4

Detergent  
Loading  
Additional Tips



**Using the Controls  
(Three-Speed Models)** ..... 5-6

Select Water Level  
Select Wash/Rinse Temperature  
Select Cycle  
Pull Control Dial Out to Start

**(Four-Speed Models)** ..... 7-8

Select Water Level  
Select Wash/Rinse Temperature  
Select Wash/Spin Speed  
Select Cycle  
Select Options  
Pull Control Dial Out to Start



**Special Features** ..... 9-10

Liquid Bleach Dispenser  
Fabric Softener Dispenser  
Finger Faucet  
Automatic Lint Filtering System  
Safety Spin  
Unbalanced Spin Load Compensator  
Overload Protector



**Care & Cleaning** ..... 11



**Troubleshooting** ..... 11-12



**Service & Warranty** ..... 13

**Guide d'utilisation  
et d'entretien** ..... 14

**Guía de uso y cuidado** ..... 24



# Safety

**Installer:** Please leave this manual with this appliance.

**Consumer:** Please read and keep this manual for future reference. Keep sales receipt and/or canceled check as proof of purchase.

Model Number \_\_\_\_\_

Serial Number \_\_\_\_\_

Date of Purchase \_\_\_\_\_

If you have questions, call:

Maytag Customer Assistance

1-800-688-9900 U.S.A.

1-800-688-2002 Canada

(Mon.-Fri., 8am-8pm Eastern Time)

Internet: <http://www.maytag.com>

U.S. Customers using TTY for deaf, hearing impaired or speech impaired, call 1-800-688-2080.

In our continuing effort to improve the quality and performance of our appliances, it may be necessary to make changes to the appliance without revising this guide.

**For service information, see page 13.**

## What You Need to Know About Safety Instructions

Warning and Important Safety Instructions appearing in this manual are not meant to cover all possible conditions and situations that may occur. Common sense, caution and care must be exercised when installing, maintaining or operating appliance.

Always contact your dealer, distributor, service agent or manufacturer about problems or conditions you do not understand.

## Recognize Safety Symbols, Words, Labels

### **WARNING**

**WARNING** – Hazards or unsafe practices which **COULD** result in severe personal injury or death.

### **CAUTION**

**CAUTION** – Hazards or unsafe practices which **COULD** result in minor personal injury.

### **WARNING! FIRE HAZARD**

Do not add gasoline, dry-cleaning solvents, or other flammable or explosive substances to the wash water. These substances give off vapors that could ignite or explode.

Do not wash articles which have been previously cleaned, washed, soaked, or spotted with gasoline, dry-cleaning solvents, oil, waxes, chemical solvents, alcohol, turpentine, or other flammable or explosive materials. These substances will be retained in articles, and articles which still contain these flammable or explosive substances give off vapors that could ignite or explode.

Observe these precautions when using cleaning fluids, spot or stain removers, etc. These products should be labeled "nonflammable." Use according to manufacturers directions in a well ventilated area or outdoors. Thoroughly rinse articles by hand before placing them in the washer. Some of these products – rust removers for example – will damage components and the finish of the washer.

Keep area around and underneath washer free from the accumulation of combustible materials, such as lint, paper, rags, gasoline, and all other flammable vapors and liquids.

**HYDROGEN GAS IS EXPLOSIVE!** Under certain conditions, hydrogen gas may be produced in a hot water system that has not been used for two weeks or more. If the hot water system has not been used for such a period, before using the washer, turn on all the hot water faucets and let the water flow from each faucet for several minutes. This will release any accumulated hydrogen gas. As this gas is flammable, do not smoke or use an open flame during this time.

Recent studies have shown that if vegetable oil contaminated materials are incompletely washed, a carry-over and buildup of the oil may contribute to a chemical reaction (spontaneous combustion) that could cause a load to catch fire by itself. This would be more likely to happen if the load were left in the dryer after tumbling stopped or if items were folded and stacked while warm.



# Safety

## ⚠ WARNING

To reduce the risk of fire, explosion, electric shock, or personal injury when using your washer, follow basic safety precautions, including the following:

1. Read all instructions before using the appliance.
2. As with any equipment using electricity and having moving parts, there are potential hazards. To use this appliance safely, the operator should become familiar with the instructions for operation of the appliance and always exercise care when using it.
3. Do not install or store this appliance where it will be exposed to the weather.
4. Install and level washer on a floor that can support the weight.
5. This appliance must be properly grounded. Never plug the appliance cord into a receptacle which is not grounded adequately and in accordance with local and national codes. See installation instructions for grounding this appliance.
6. To avoid the possibility of fire or explosion:
  - a. Do not wash items that have been previously cleaned in, washed in, soaked in, or spotted with gasoline, dry-cleaning solvents, other flammable or explosive substances as they give off vapors that could ignite or explode. Hand wash and line dry any items containing these substances.

Any material on which you have used a cleaning solvent, or which is saturated with flammable liquids or solids, should not be placed in the washer until all traces of these liquids or solids and their fumes have been removed.

These items include acetone, denatured alcohol, gasoline, kerosene, some liquid household cleaners, some spot removers, turpentine, waxes and wax removers.
  - b. Do not add gasoline, dry-cleaning solvents, or other flammable or explosive substances to the wash water. These substances give off vapors that could ignite or explode.
  - c. Under certain conditions, hydrogen gas may be produced in a hot water system that has not been used for two weeks or more. **HYDROGEN GAS IS EXPLOSIVE.** If the hot water system has not been used for such a period, before using a washing machine or combination washer-dryer, turn on all hot water faucets and let the water flow from each for several minutes. This will release any accumulated hydrogen gas. As the gas is flammable, do not smoke or use an open flame during this time.
- D. Do not wash or dry items that are soiled with vegetable or cooking oil. These items may contain some oil after laundering. Due to the remaining oil, the fabric may smoke or catch fire by itself.
7. Do not reach into the appliance if the tub or agitator is moving.
8. Do not allow children or pets to play on, in, or in front of the appliance. Close supervision is necessary when the appliance is used near children and pets.
9. Do not tamper with controls.
10. Do not repair or replace any part of the appliance or attempt any servicing unless specifically recommended in published user-repair instructions that you understand and have the skills to carry out.
11. Unplug power supply cord before attempting to service your washer. Service is to be done only by qualified service personnel.
12. The agitator should not be removed. If the agitator is removed, it must be replaced by pushing down completely and the locking screw tightened before the washer is operated.
13. Keep all laundry aids such as detergents, bleach, etc., out of the reach of children, preferably in a locked cabinet. Use laundry aids only as directed by the manufacturer. Observe all warnings on container labels.
14. Keep the area around and underneath washer free from the accumulation of combustible materials, such as lint, paper, rags, gasoline, and all other flammable vapors and liquids.
15. Do not use chlorine bleach and ammonia or acids (such as vinegar or rust remover) in the same wash. Hazardous fumes can form.
16. Do not machine wash fiberglass materials. Small particles can stick to fabrics washed in following loads and cause skin irritation.
17. For flame resistant finishes - follow garment manufacturer's instructions carefully. Improper laundering could remove the finish.
18. Before the appliance is removed from service or discarded, remove the door to the washing compartment.
19. Inlet hoses are subject to damage and deterioration over time. Check the hoses periodically for bulges, kinks, cuts, wear or leaks and replace them every five years.

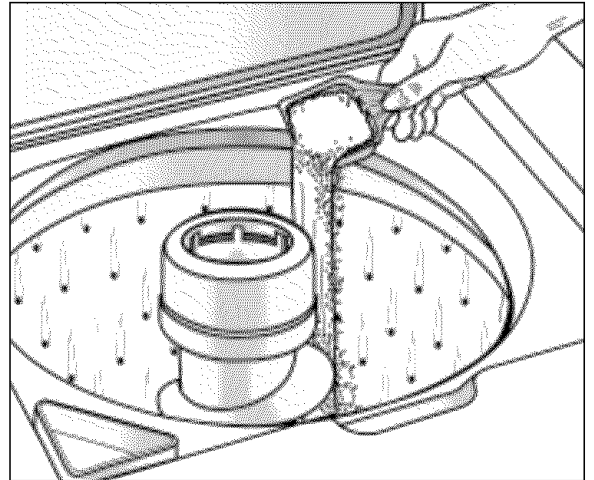
**SAVE THESE INSTRUCTIONS**



# Operating Tips

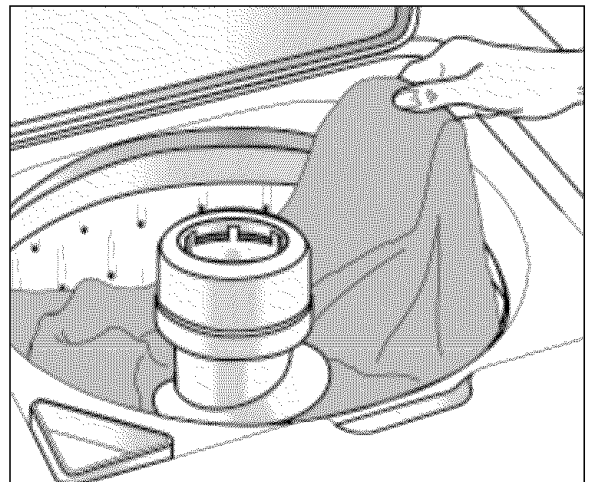
## Detergent

- Use either liquid or granular laundry detergent. **For best results, be sure detergent is added to the washer BEFORE the load and be sure the wash water is above 65° F.**
- Use the correct amount of detergent for the load size, soil level and water conditions. Use more detergent if you have hard water and very soiled loads.  
If you have soft water or a lightly soiled load, use less detergent. (See manufacturer's instructions.)
- Wipe up any detergent spills on the washer.



## Loading

- Put dry, unfolded clothes loosely in the tub, up to the top row of holes for a maximum load.
- Do not wrap large items like sheets around the agitator.
- Mix large and small items for best circulation. Wash bulky items like blankets separately.
- When laundering wrinkle free items or items of delicate construction, washable woolens or loosely knit items, never use less than the MEDIUM water level setting. This will minimize shrinkage, wrinkling and pulling of seams.
- For best results add the detergent to the washtub before adding the load.
- Close lid carefully to avoid slamming.





# Operating Tips

## Additional tips

- During the spin, it is possible for the load to become unevenly distributed in the tub. If this happens, push in the control knob, open the lid, redistribute the load, close the lid and pull out the control knob. The spin will resume at the point it was interrupted.
- The washer will pause briefly throughout each cycle. These pauses are normal.
- This washer is designed so that it will not spin when the lid is open. It will, however, fill and agitate with the lid open so water is available for pretreating stains or diluting fabric softener.
- If you open the lid during a spin cycle, the washer will stop. When the lid is closed and the control dial pulled out, the washer will continue the cycle at the point it was interrupted.

For detailed information on sorting, pretreating stains, etc., see the enclosed *Laundering Tips* brochure.



# Using the Controls – Three-Speed Models

## STEP 1

### Select Water Level

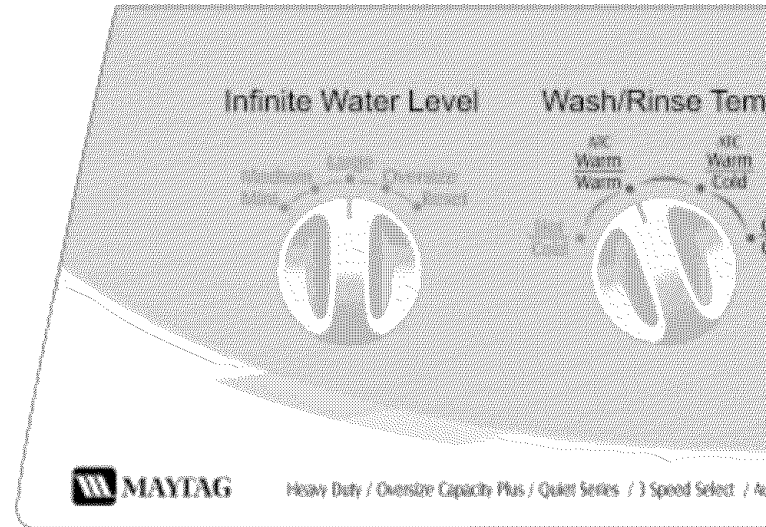
Determine the selected setting based on clothes load size. Selection should provide sufficient water to permit clothes to circulate freely during agitation.

It may become necessary, due to bulky fabrics, to adjust the water level after agitation begins. To adjust the water level, turn the control to **reset** and then back to the desired setting.

WATER LEVEL SETTING	LOAD SIZE
Mini	1/4 Full
Medium	1/4 – 1/2 Full
Large	1/2 – 3/4 Full
Oversize	3/4 – Full

**Note**

- Items must circulate freely for best results.



## STEP 2

### Select Wash/Rinse Temperature

Your washer gives you a choice of hot, warm or cold water for washing and cold or warm water for rinsing.

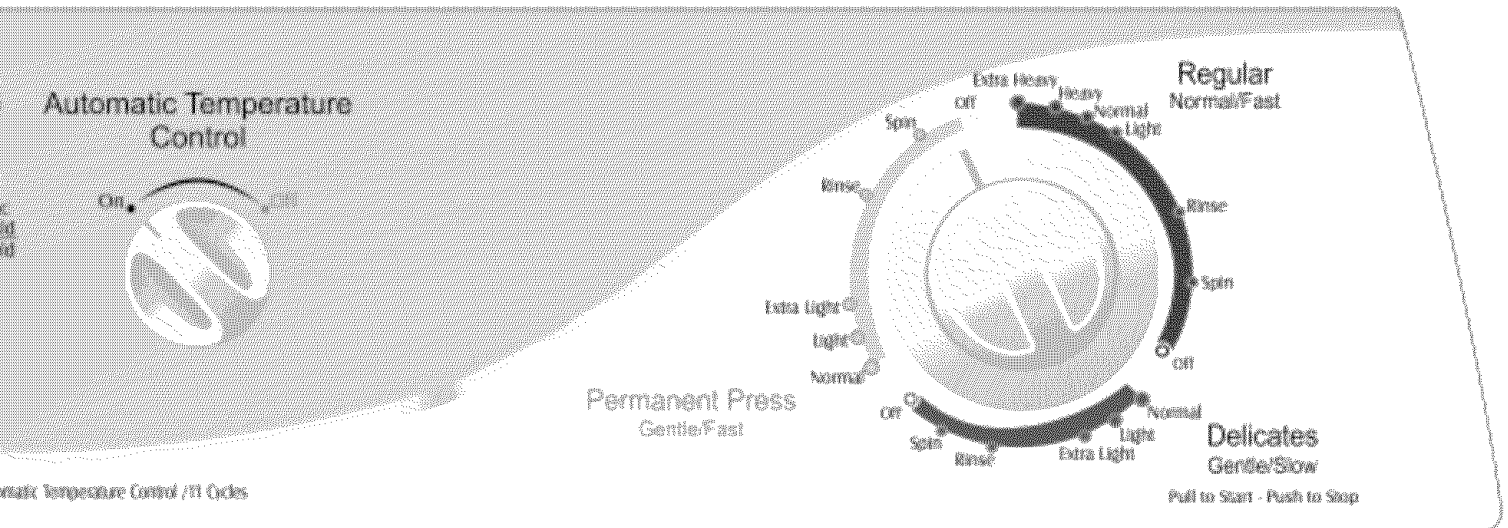
When the **Automatic Temperature Control** knob is set to “On,” the washer provides the optimal wash water temperature for cleaning. To save energy, this washer will regulate wash water temperatures by mixing hot and cold water to reach the proper water temperature.

**Note**

- In wash water temperatures below 65° F, detergents do not dissolve well or clean well.

WASH/RINSE TEMPS	LOAD TYPE
Hot/Cold	White and heavily soiled, color-fast items
Warm/Warm	Moderately soiled, colored items
Warm/Cold	Moderately soiled, colored items; most wrinkle-free items
Cold/Cold	Brightly colored, lightly soiled items; washable woollens
<b>These settings feature Automatic Temperature Control (A.T.C.):</b>	
A.T.C. Warm Warm	A.T.C. Warm Cold
Assures warm water wash temperature of approximately 95° F; provides optimum cleaning results	
A.T.C. Cold Cold	
Assures cold water wash temperature of approximately 75° F to properly activate detergent	

Control features vary by model.



### STEP 3

## Select Cycle

To select a cycle, push the control dial IN (off position) and turn it to the right (clockwise) until the pointer is at the soil level needed for the wash load in the Regular, Permanent Press or Delicates cycles.

### Regular Fabrics Cycle

Provides normal agitation and fast spin speeds to wash cottons and heavily soiled items. For maximum cleaning, set the dial at Extra Heavy.

### Permanent Press Cycle

Provides normal agitation speed for six minutes, a pause, then slow agitation for the remainder of the wash cycle to protect permanent press fabrics. Spin speed will be fast to reduce water retention.

### Delicates Cycle

Provides slow agitation speed and slow spin speed for delicates and knits.

### STEP 4

## Pull Control Dial Out to Start

You may stop the washer at any time by simply pushing the control dial IN. Therefore it is possible to obtain a non-agitated soak or to shorten, skip or repeat any part of a cycle. The control dial must be pushed IN (off position) when you change the setting.

### Note

- Do not attempt to turn the control dial counterclockwise. Damage to the timer will result.

See *Laundering Tips* for proper washing procedures, stain removal, and special laundering situations.



# Using the Controls – Four-Speed Models

## STEP 1

### Select Water Level

Determine the selected setting based on clothes load size. On select models, the infinite control allows you to select a specific setting or anywhere in between.

It may become necessary, due to bulky fabrics, to adjust the water level after agitation begins. To adjust the water level, turn the control to **reset** and then back to the desired setting.

WATER LEVEL SETTING	LOAD SIZE
Mini	1/4 Full
Medium	1/4 – 1/2 Full
Large	1/2 – 3/4 Full
Oversize	3/4 – Full

#### Note

- Items must circulate freely for best results.

## STEP 2

### Select Wash/Rinse Temperature

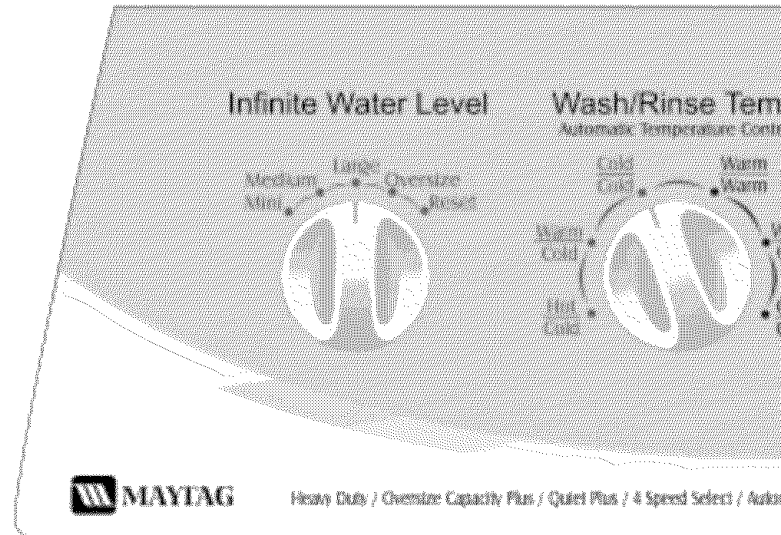
Your washer gives you a choice of hot, warm or cold water for washing and cold or warm water for rinsing. Use the chart below as a guide.

**Automatic Temperature Control** provides the optimal wash water temperature for cleaning. To save energy, this washer will regulate wash water temperatures by mixing hot and cold water to reach the proper water temperature.

WASH/RINSE TEMPS	LOAD TYPE
Hot/Cold	White and heavily soiled, color-fast items
Warm/Cold	Moderately soiled, colored items; most wrinkle free items
Cold/Cold	Brightly colored, lightly soiled items; washable woollens

#### These settings feature Automatic Temperature Control:

Warm/Warm	Assures warm water wash temperature of 95° F. Provides optimum cleaning results
Warm/Cold	
Cold/Cold	Assures cold water wash temperature of 75° F to properly activate detergent



## STEP 3

### Select Wash/Spin Speed

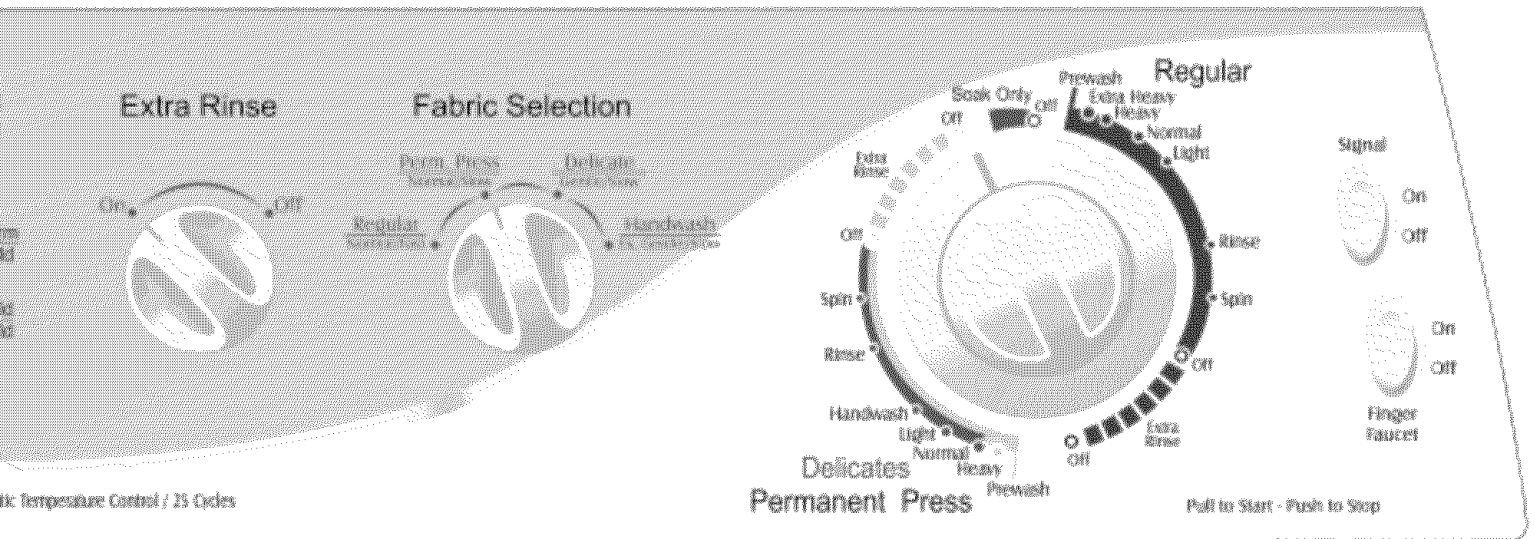
Your washer has selectable wash and spin speed combinations.

FABRIC SELECTION	LOAD TYPE
Regular Normal/Fast	Sturdy fabrics needing maximum water extraction like jeans, towels and bedding
Perm. Press Normal/Slow	Sturdy fabrics needing a slower spin speed to reduce wrinkling, such as dress shirts and dress pants
Delicate Gentle/Slow	Delicate fabrics needing slower spin speed because of clothing construction
Handwash Ex. Gentle/Slow	Intermittent slow agitation and soak to gently wash the most delicate items

#### Note

- In wash water temperatures below 65° F, detergents do not dissolve well or clean well.

Control features vary by model.



## STEP 4

### Select Cycle

To select a cycle, push the control dial IN and turn it to the right (clockwise) until the pointer is at the soil level needed for the wash load.

#### Permanent Press/Delicates Cycles

Permanent Press/Delicates cycles share the same portion of the control dial. For permanent press fabrics, select the cycle and turn the Fabric Selection dial to Perm. Press. For delicate loads select Delicate.

#### Regular Cycle

This cycle provides up to 16 minutes of agitation. Select the Regular Fabric Selection.

#### Soak Only (select models)

Provides 4 minutes of agitation, then soak. **Avoid extended soaking – soak for 30 minutes or less.** The control dial must be manually advanced to a spin setting to spin and drain the water.

See *Laundering Tips* for proper washing procedures, stain removal, and special laundering situations.

## STEP 5 (if desired)

### Select Options

#### Extra Rinse

When the switch is in the “On” position, an additional rinse at the end of the Regular and Permanent Press cycles is provided to more completely remove laundry additives, suds, perfumes, etc.

#### End of Cycle Signal

The end of cycle signal will sound once the cycle is completed. The end of cycle signal can be canceled by setting the switch to off.

## STEP 6

### Pull Control Dial Out to Start

You may stop the washer at any time by simply pushing the control dial IN. Therefore it is possible to obtain a non-agitated soak or to shorten, skip or repeat any part of a cycle. The control dial must be pushed IN (off position) when you change the setting.

#### Note

- Do not attempt to turn the control dial counterclockwise. Damage to the timer will result.



# Special Features

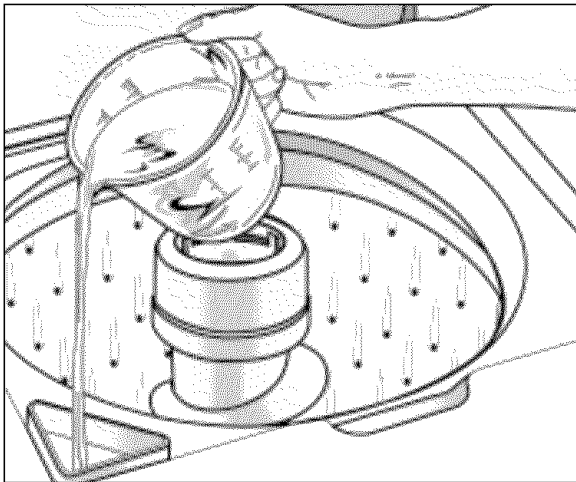
## Liquid Bleach Dispenser

The dispenser automatically dilutes liquid chlorine bleach before it reaches your wash load. To use, follow these steps:

1. Measure liquid chlorine bleach carefully, following the instructions on the bottle.
2. Add the bleach to the dispenser before adding the load. Avoid splashing or over-filling the dispenser.

### Note

- Never pour undiluted liquid chlorine bleach directly onto the load or into the wash tub. It is a powerful chemical and can cause fabric damage, such as tearing or color loss, if not used properly.
- If you prefer to use color-safe, non-chlorine bleach, pour it into the wash tub with your detergent. Do not pour non-chlorine bleaches into the bleach dispenser.



**Pour liquid chlorine bleach into bleach dispenser.**

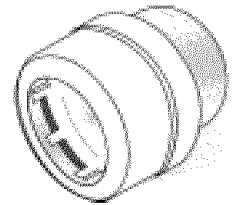
## Fabric Softener Dispenser

The dispenser automatically releases liquid fabric softener at the proper time during the cycle. To use, follow these steps:

1. Pour a measured amount of fabric softener into the dispenser to fill line only.
2. If fabric softener comes below line, add warm water.

If it is necessary to clean the dispenser:

1. Pull the dispenser off of the top of the agitator.
2. Soak for one hour in sink or container in hot water and dishwashing liquid.
3. Hold hands over top and bottom of dispenser and shake to loosen buildup.
4. Rinse with clean, hot water.
5. Repeat process if necessary.
6. Replace dispenser on agitator.



Do not use dishwashing liquid inside the washer. Oversudsing can occur.

## Finger Faucet (select models)

Provides a flow of water when holding the switch in the "On" position.





# Special Features

## Automatic Lint Filtering System

*The Lint Filtering System does not require cleaning.*

Wash and rinse water is filtered and re-filtered continuously to trap lint shed by most fabrics during the agitation cycle before it can be redeposited on the wash load. The engineered hole design on the wash basket in conjunction with water flow produced by the agitator, traps lint away from the clothes between the inner wash basket and the outer tub. Lint is automatically flushed from the washer during the spin cycle.

## Safety Spin

If for any reason you open the washer lid when the washer is in a spin or extract period, the operation will immediately stop. This is for your personal safety. If your washer does not stop, call your service technician immediately. When the lid is closed, the operation will automatically resume.

## Unbalanced Spin Load Compensator

Your new washer is designed to handle out-of-balance loads without shutting down or interrupting the washing cycle.

For this reason, the cycle will always be completed. If heavier fabrics in such out-of-balance loads should ever contain excessive moisture at the completion of the cycle, redistribute the clothes in the washer and reset the control dial for the final spin period.

## Overload Protector

A built-in protector automatically shuts off the washer motor in case of an overload. This can occur if:

- The load being washed is too heavy.
- Too many appliances are plugged into the line operating your washer.
- A low voltage condition exists on the line.
- Lid is opened and closed repeatedly.

The overload protector permits the washer to start again when the motor has cooled to a safe operating temperature.

If the motor stops repeatedly, call your service technician.



# Care & Cleaning

1. After washing, leave the lid open until the interior is dry.
2. Check hoses to be sure there are no kinks or knots.
3. Your washer should not be installed where temperatures will go below freezing, as damage to the washer could result.
4. To clean, occasionally wipe exterior with a clean damp sponge or cloth. Do not use polish on plastic parts.
5. Lifetime lubrication is done at the factory, so your washer never needs to be oiled or greased.
6. Do not lay heavy or sharp objects on top of your washer.
7. The top of the washer should not be used for removing stains from garments. Some stain removers, such as rust remover, will mar the finish.
8. Remove pins, buckles or other sharp objects from clothes to prevent scratching interior parts.
9. Clothes should not be stored in washer.
10. Bleach, detergent, solvents, etc. spilled on the top of your washer that are allowed to remain will remove the glossy finish. Remove all spills with a damp, soft cloth.
11. If you close your home for the winter, have a service technician drain the washer. Unplug cord from electrical outlet and disconnect hoses from faucets.

## Cleaning the Interior

The interior of the washer should be cleaned periodically to remove dirt, soil, odor or bacteria residue that may remain in the washer as a result of washing clothes. We recommend taking the following steps every 60 to 120 days to clean and freshen your washer interior. The frequency with which the washer should be cleaned and freshened depends on factors such as usage, the amount of dirt, soil or bacteria being run through your washer, or the use of cold water.

To clean and freshen the washer interior:

1. Add a measured amount of chlorine bleach to the bleach dispenser, following package directions.
2. Add 1/4 cup of detergent to the tub.
3. Run the washer through a complete cycle using hot water.
4. Repeat the process if necessary.

## Troubleshooting

For problem laundry solutions (i.e. fabric damage, residue, tangling) and special laundry care procedures, see the enclosed *Laundering Tips* brochure.

<b>Won't Fill</b>	<ul style="list-style-type: none"> <li>• Plug cord into live electrical outlet.</li> <li>• Check fuse or reset circuit breaker.</li> <li>• Turn the control knob to proper cycle and pull knob out to start the washer.</li> <li>• Turn both faucets on fully.</li> <li>• Straighten inlet hoses.</li> <li>• Disconnect hoses and clean screens. Hose filter screens may be plugged.</li> </ul>
<b>Won't Agitate</b>	<ul style="list-style-type: none"> <li>• Check fuse or reset circuit breaker.</li> <li>• Make sure the lid is completely closed.</li> <li>• Turn the control knob to proper cycle and pull knob out to start the washer.</li> <li>• Close lid and pull knob out to start the washer.</li> <li>• Pauses are normal. Wait and see if the washer will start again.</li> </ul>



# Troubleshooting

<b>Won't Spin or Drain</b>	<ul style="list-style-type: none"> <li>• Check fuse or reset circuit breaker.</li> <li>• Straighten drain hoses. Eliminate kinked hoses. If there is a home drain restriction, call for drain service.</li> <li>• Close lid and pull knob out to start the washer. For your safety, washer will not spin unless the lid is closed.</li> <li>• Suds lock – caused by too much suds. Rewash without detergent. Use correct amount of a low-sudsing detergent.</li> </ul>
<b>Load is Wet</b>	<ul style="list-style-type: none"> <li>• Unevenly distributed load. Redistribute the load, close the lid and pull knob out. Check for leveling. Be sure water level is acceptable for load size.</li> <li>• A normal spin speed is recommended for heavy loads like jeans or towels.</li> </ul>
<b>Stops</b>	<ul style="list-style-type: none"> <li>• Plug cord into live electrical outlet.</li> <li>• Check fuse or reset circuit breaker.</li> <li>• Turn the control knob to proper cycle and pull knob out to start the washer.</li> <li>• Close lid and pull knob out to start the washer. For your safety, washer will not spin unless lid is closed.</li> <li>• This may be a pause in the cycle. Wait briefly and it may start.</li> </ul>
<b>Leaks Water</b>	<ul style="list-style-type: none"> <li>• Make sure hose connections are tight.</li> <li>• Make sure end of drain hose is correctly inserted and secured to drain facility.</li> <li>• Avoid extended soaking – soak for 30 minutes or less.</li> <li>• Avoid overloading.</li> </ul>
<b>Is Noisy</b>	<ul style="list-style-type: none"> <li>• Be sure washer is leveled properly as outlined in installation manual.</li> <li>• Weak floors can cause vibration and walking.</li> <li>• Operating sounds will vary depending on agitation speed.</li> </ul>
<b>Fills with the Wrong Temperature Water</b>	<ul style="list-style-type: none"> <li>• Turn both faucets on fully.</li> <li>• If equipped with a temperature selector knob, be sure it is set directly on a temperature setting and not between settings.</li> <li>• Make sure temperature selection is correct.</li> <li>• If Auto Temperature Control (select models) is selected, cold water may feel warmer than cold water from the tap. (See pages 5 and 7).</li> <li>• Make sure hoses are connected to correct faucets and inlet connections. Be sure water supply is regulated correctly. Flush water line before filling washer.</li> <li>• Check the water heater. It should be set to deliver a minimum 120° F (49° C) hot water at the tap. Also check water heater capacity and recovery rate.</li> <li>• Disconnect hoses and clean screens. Hose filter screens may be plugged.</li> </ul>
<b>Cycle Selector Advances Through Off</b>	<ul style="list-style-type: none"> <li>• Extra Rinse (select models) is selected.</li> </ul>

**For further assistance contact Maytag Services<sup>SM</sup>, Maytag Customer Assistance:  
 U.S. 1-800-688-9900 or Canada 1-800-688-2002.  
 U.S. Customers using TTY for deaf, hearing impaired or speech impaired, call 1-800-688-2080.**



# Service & Warranty

## Washer Warranty

### Full One-Year Warranty

For one (1) year from the date of original retail purchase, any part which fails in normal home use will be repaired or replaced free of charge.

### Limited Warranty

After the first year from date of original retail purchase, through the time periods listed below, the parts designated below which fail in normal home use will be repaired or replaced free of charge for the part itself, with the owner paying all other costs, including labor, mileage, transportation, trip charge and diagnostic charge, if required.

**Second Year** – All parts.

**Third Through Fifth Year** – The drive motor. All parts of solid state controls (if so equipped).

**Third Through Tenth Year** – All parts of the transmission assembly.

**Third Through Lifetime** – The inner wash basket.

### Additional Limited Warranty Against Rust-Through –

Should an exterior cabinet, including the door, rust through during the one-year period starting from the date of retail purchase, repair or replacement will be made free of charge. After the first and through the tenth year, repair or replacement will be made free of charge for the part itself, with the owner paying all other costs, including labor, mileage, transportation, trip charge and diagnostic charge, if required.

**Please Note:** This full warranty and the limited warranty apply when the washer is located in the United States or Canada. Washers located elsewhere are covered by the limited warranty only, including parts which fail during the first two years.

### Canadian Residents

This warranty covers only those appliances installed in Canada that have been listed with the Canadian Standards Association unless the appliances are brought into Canada due to transfer of residence from the United States to Canada.

The specific warranties expressed above are the **ONLY** warranties provided by the manufacturer. This warranty gives you specific legal rights, and you may also have other rights that vary from state to state.

## What is Not Covered By These Warranties:

1. Conditions and damages resulting from any of the following:
  - a. Improper installation, delivery or maintenance.
  - b. Any repair, modification, alteration, or adjustment not authorized by the manufacturer or an authorized servicer.
  - c. Misuse, abuse, accidents or unreasonable use.
  - d. Incorrect electric current, voltage or supply.
  - e. Improper setting of any control.
2. Warranties are void if the original serial numbers have been removed, altered or cannot be readily determined.
3. Products purchased for commercial or industrial use.
4. The cost of service or service call to:
  - a. Correct installation errors.
  - b. Instruct the user on the proper use of the product.
  - c. Transport the appliance to the servicer.
5. Consequential or incidental damages sustained by any person as a result of any breach of these warranties.

Some states do not allow the exclusion or limitation of consequential or incidental damages, so the above exclusion may not apply.

## To Obtain Warranty Service

To locate an authorized service company in your area, contact the dealer from whom your appliance was purchased; or call Maytag Services<sup>SM</sup>, Maytag Customer Assistance. Should you not receive satisfactory warranty service, please call or write:

Maytag Services<sup>SM</sup>  
Attn: CAIR<sup>®</sup> Center  
P.O. Box 2370  
Cleveland, TN 37320-2370  
**U.S.A. 1-800-688-9900**  
**Canada 1-800-688-2002**  
**U.S. Customers using TTY for deaf, hearing impaired or speech impaired, call 1-800-688-2080.**

### Note

- When contacting Maytag Services<sup>SM</sup>, Maytag Customer Assistance about a service problem, please include the following:
  - a. Your name, address and telephone number;
  - b. Model number and serial number (found on the back center of the control panel) of your appliance;
  - c. Name and address of your dealer and the date the appliance was purchased;
  - d. A clear description of the problem you are having;
  - e. Proof of purchase.

Use & Care Guides, service manuals and parts catalogs are available from Maytag Services<sup>SM</sup>, Maytag Customer Assistance.



# Laveuse

## Guide d'utilisation et d'entretien

### Table des matières



**Sécurité** ..... 15-16



**Fonctionnement** ..... 17-18

Détergent  
Chargement  
Conseils supplémentaires



**Employer les commandes  
(Modèles à trois vitesses)** ... 19-20

Sélection du niveau d'eau  
Sélection de la température de lavage/rinçage de l'eau  
Sélection du cycle  
Tirer le sélecteur pour mettre en marche

**(Modèles à quatre vitesses)** . . . 21-22

Sélection du niveau d'eau  
Sélection de la température de lavage/rinçage de l'eau  
Sélectionner le cycle de lavage/d'essorage  
Sélection du cycle  
Sélection des options  
Tirer le sélecteur pour mettre en marche



**Caractéristiques spéciales** . . 23-24

Distributeur de javellisant liquide  
Distributeur d'assouplissant  
Finger Faucet  
Filtre à charpie auto-nettoyant  
Essorage sécuritaire  
Compensateur de charge déséquilibrée pendant l'essorage  
Dispositif de protection contre les surcharges



**Nettoyage et entretien** ..... 25



**Recherche des pannes** . . 25-26



**Garantie et service  
après-vente** ..... 27

**Guía de uso y cuidado** ..... 28



# Sécurité

**Installateur :** Veuillez laisser le présent guide avec l'appareil.

**Client :** Veuillez lire le présent guide et le conserver pour référence future. Conservez aussi les reçus de caisse et les chèques oblitérés à titre de preuve d'achat.

Numéro de modèle \_\_\_\_\_

Numéro de série \_\_\_\_\_

Date d'achat \_\_\_\_\_

Pour toute question, contacter :

Service-clients Maytag  
1-800-688-2002 Canada  
(Lundi au Vendredi, 8 h à 8 h, heure de l'Est)  
Site Internet: <http://www.maytag.com>

En raison de nos efforts constante d'amélioration de la qualité de nos appareils électro-ménagers, il se peut qu'une machine à laver soit modifiée sans que le guide soit révisé.

**Pour le service après-vente, voir page 27.**

## Ce qu'il faut savoir à propos des consignes de sécurité

Les consignes de sécurité et les mises en garde présentées dans ce manuel ne couvrent pas toutes les situations possibles. Faire preuve de jugement, de prudence et d'attention lors de l'installation, de l'entretien et de l'utilisation du propriétaire.

Lorsque survient un problème ou une situation inhabituelle, toujours communiquer avec le détaillant, le distributeur, le technicien agréé ou le fabricant.

### Reconnaissez les étiquettes, phrases ou symboles sur la sécurité

#### **AVERTISSEMENT**

**AVERTISSEMENT** – Risques ou pratiques non sûres, qui **POURRAIENT** résulter en de graves blessures ou même la mort.

#### **ATTENTION**

**ATTENTION** – Risques ou pratiques non sûres qui **POURRAIENT** résulter en blessures mineures.

#### **AVERTISSEMENT ! RISQUE D'INCENDIE**

Ne pas ajouter d'essence, de solvants de nettoyage à sec ou toute autre substance inflammable ou explosive à l'eau de lavage. Ces substances produisent des vapeurs qui pourraient s'enflammer ou exploser.

Ne pas laver d'articles qui ont auparavant été nettoyés, lavés, trempés ou détachés à l'aide d'essence, de solvants de nettoyage à sec, d'huiles, de cires, de solvants chimiques, d'alcool, de térébenthine ou d'autres produits explosifs ou inflammables. Ces substances resteront incrustées dans les articles, et ceux-ci produisent des vapeurs qui peuvent s'enflammer ou exploser.

Suivre ces précautions lors de l'utilisation de produits nettoyants liquides, de détachants, etc. Ces produits doivent porter la mention « inflammable ». Utiliser conformément aux directives du fabricant dans un endroit bien aéré ou à l'extérieur. Rincer à fond les articles à la main avant de les mettre dans la sècheuse. Certains produits – ceux qui enlèvent la rouille par exemple – peuvent endommager les pièces et la finition de la machine à laver.

Éviter toute accumulation de matériaux combustibles, tels que la ouate, le papier, les chiffons, l'essence et autres vapeurs et liquides inflammables, sous la machine à laver et autour de celle-ci.

**L'HYDROGÈNE EST UN GAZ EXPLOSIF!** Dans certaines conditions, il peut y avoir production d'hydrogène dans un système de chauffage d'eau qui n'est pas utilisé pendant 2 semaines ou davantage. Si le système de chauffage d'eau n'a pas été utilisé pendant une telle durée, ouvrir tous les robinets d'eau chaude et laisser couler l'eau pendant plusieurs minutes avant d'utiliser la machine à laver. Ceci élimine toute accumulation d'hydrogène. Ce gaz étant inflammable, ne pas fumer ni utiliser de flamme vive pendant cette procédure.

Des études récentes ont démontré que si les substances contaminées d'huile végétale ne sont pas complètement nettoyées, une accumulation d'huile peut provoquer une réaction chimique (combustion spontanée) qui pourrait causer un incendie. Cela risque davantage de survenir lorsque les vêtements sont laissés dans la sècheuse après que le tambour ait cessé de tourner ou que les articles sont pliés et empilés avant que la chaleur ne se soit dissipée.



# Sécurité

## ⚠ AVERTISSEMENT

Pour réduire les risques d'incendie, d'explosion, d'électrocution ou des blessures lors de l'utilisation de cet appareil, suivre les précautions d'usage, dont les suivantes :

1. Lire toutes les instructions avant d'utiliser la machine.
2. Comme avec tout équipement fonctionnant à l'électricité et comportant des pièces mobiles, il existe toujours des possibilités de danger. Pour utiliser cette machine dans les meilleures conditions de sécurité, l'opérateur doit se familiariser avec les instructions de fonctionnement de l'appareil et user de prudence pendant son utilisation.
3. Ne pas installer ni remiser la machine dans un endroit où elle est exposée aux intempéries.
4. Installer la machine et la mettre de niveau sur un plancher pouvant supporter son poids.
5. Cet appareil doit être correctement mis à la terre. Ne jamais brancher le câble électrique d'une machine à laver sur une prise murale non mise à la terre conformément aux codes locaux et nationaux. Voir les instructions d'installation pour la mise à la terre de cette machine.
6. Pour éviter les risques d'incendie ou d'explosion :
  - a. Ne pas laver d'articles qui ont auparavant été nettoyés ou lavés à l'aide d'essence, de solvants de nettoyage à sec ou d'autres produits explosifs ou inflammables, ou qui en sont imbibés ou éclaboussés, car ces substances produisent des vapeurs qui peuvent s'enflammer ou exploser. Laver à la main et sécher à l'air tout article contenant ces substances.

Tout tissu sur lequel des solvants de nettoyage ont été utilisés ou qui sont saturés de liquides ou solides inflammables ne doit pas être mis dans la machine à laver avant que toute trace et toute vapeur de ces liquides ou solides ne soient complètement éliminées.

Ces produits comprennent l'acétone, l'alcool dénaturé, l'essence, le kérosène, certains produits de nettoyage ménagers, les détachants, la térébenthine, les cires et les décapants de cire.
  - b. Ne pas ajouter d'essence, de solvants de nettoyage à sec ou toute autre substance inflammable ou explosive à l'eau de lavage. Ces substances produisent des vapeurs qui pourraient s'enflammer ou exploser.
  - c. Dans certaines conditions, il peut y avoir production d'hydrogène dans un système de chauffage d'eau qui n'est pas utilisé pendant 2 semaines ou plus.

L'HYDROGÈNE EST UN EXPLOSIF. Si votre système de chauffage d'eau n'est pas utilisé sur une telle durée, ouvrir tous les robinets d'eau chaude et laisser couler l'eau pendant plusieurs minutes avant d'utiliser votre machine à laver ou votre ensemble machine à laver-sécheuse. Ceci élimine toute accumulation d'hydrogène. Ce gaz étant inflammable, ne pas fumer ni utiliser de flamme vive pendant ces quelques minutes.
7. Ne pas mettre la main ou le bras dans la machine si l'agitateur ou cuve est en mouvement.
8. Ne pas permettre aux enfants ou aux animaux familiers de jouer sur l'appareil, à l'intérieur ou en face de celui-ci. Une supervision étroite est nécessaire lorsque l'appareil est utilisé à proximité d'enfants ou d'animaux familiers.
9. Ne pas modifier les mécanismes de commande.
10. Ne pas réparer ou remplacer une pièce de la machine ou procéder à un dépannage, sauf si les instructions publiées le recommandent et que la personne effectuant la réparation les comprend et possède les connaissances voulues pour les exécuter.
11. Débrancher le cordon d'alimentation électrique avant d'essayer de réparer la laveuse. Les réparations ne doivent être effectuées que par du personnel qualifié.
12. L'agitateur ne doit pas être retiré. S'il est retiré, le replacer en l'enfonçant à fond, puis serrer la vis de blocage avant de faire fonctionner la machine.
13. Conserver tous les produits de lessive, les détergents, les produits de blanchiment, etc., hors de portée des enfants, et de préférence dans une armoire fermée à clé. N'utiliser ces produits que selon les directives du fabricant. Observer tous les avertissements paraissant sur les étiquettes des différents produits.
14. S'assurer que toute la zone autour de la laveuse et en dessous, soit dégagée de toute accumulation de matériaux combustibles comme charpie, papier, chiffons, essence et tout autre liquide ou vapeur inflammable.
15. Ne pas mélanger de javellisant et d'ammoniaque ou d'acides (tels que du vinaigre ou du produit pour enlever la rouille) pour une même charge de linge. Des vapeurs nocives peuvent se former.
16. Ne pas laver d'articles en fibre de verre à la machine. De petites particules peuvent se coller sur le linge lavé par la suite et provoquer des irritations cutanées.
17. Apprêts résistants aux flammes – suivre attentivement les instructions du fabricant du vêtement. Un vêtement incorrectement lavé ou séché pourrait perdre son apprêt ignifuge.
18. Avant de mettre la machine hors service ou au rebut, retirer la porte du compartiment de lavage.
19. Les tuyaux d'alimentation se détériorent progressivement. Inspecter les tuyaux à intervalle régulier; rechercher dilatations, écrasements, coupures, fuites et indices d'usure. Remplacer les tuyaux après 5 ans de service.

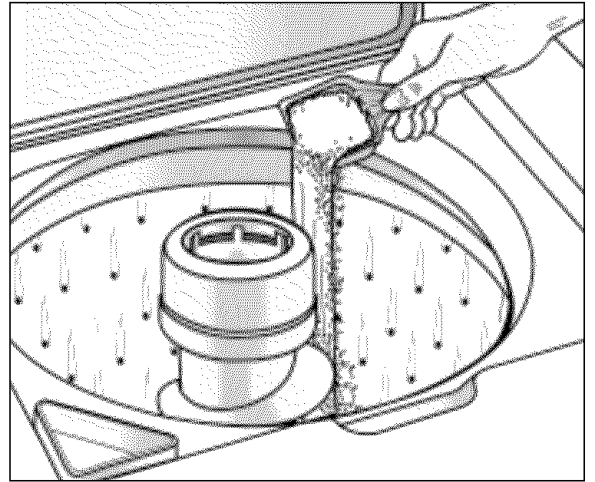
**CONSERVER CES INSTRUCTIONS**



# Fonctionnement

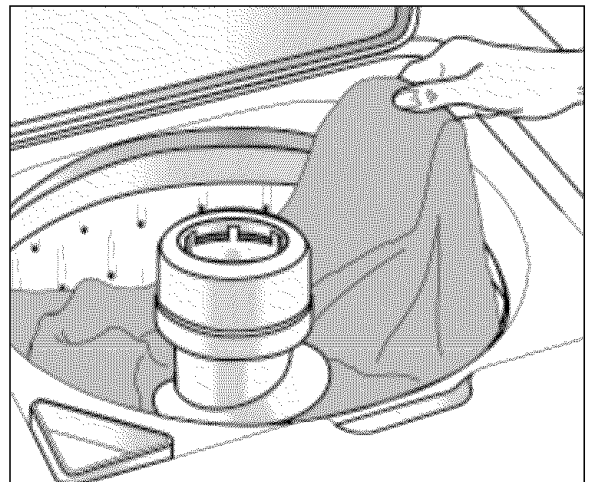
## Détergent

- Utiliser du détergent liquide ou en poudre. **Pour des résultats optimaux, ajouter suffisamment de détergent dans la machine AVANT de la remplir et régler la température de l'eau à plus de 18° C (65° F).**
- Utiliser la quantité de détergent qui convient à la charge, au degré de saleté et à la dureté de l'eau. Utiliser plus de détergent si l'eau est dure et que la charge est très sale.  
Si l'eau est douce ou que la charge est peu sale, utiliser moins de détergent. (Voir les instructions du fabricant.)
- Essuyer la machine si elle se trouve éclaboussée de détergent.



## Chargement

- Mettre le linge sec, non plié sans le tasser dans la machine, en remplissant le panier jusqu'au rang supérieur de trous pour une charge maximum.
- Ne pas enrouler de grands articles tels que des draps autour de l'agitateur.
- Pour une meilleure circulation, mélanger les petits et les grands articles. Laver les articles volumineux comme les couvertures séparément.
- Lors du lavage d'articles infroissables, fragiles, de lainages lavables ou d'articles en tricot à mailles lâches, ne jamais utiliser un niveau d'eau inférieur au réglage MEDIUM (moyen). Ils auront moins tendance à rétrécir, à se froisser et les coutures tiendront mieux.
- Pour des résultats optimaux, mettre du détergent dans la cuve avant d'ajouter le linge.
- Refermer soigneusement le couvercle pour qu'il ne claque pas.





# Fonctionnement

## Conseils supplémentaires

- Il est possible pour la charge peut être déséquilibrée pendant l'essorage. Si cela se produit, pousser sur le sélecteur, ouvrir le couvercle, rééquilibrer la charge, fermer le couvercle et tirer sur le sélecteur. L'essorage reprend au point où il s'était interrompu.
- Cette machine effectue des pauses à plusieurs reprises au cours d'un cycle de lavage. Ces pauses momentanées font partie de son fonctionnement normal.
- Cette laveuse est conçue pour ne pas essorer lorsque que le couvercle est ouvert. Toutefois, elle se remplit et l'agitation a lieu même si le couvercle est ouvert pour que l'eau soit disponible et permettre le pré-lavage des taches ou la dilution de l'adoucissant.
- Si le couvercle est ouvert au cours d'un cycle, la machine s'arrête. Une fois le couvercle fermé et le sélecteur tiré, le cycle reprend là où il avait été interrompu.

Pour de plus amples renseignements concernant le triage, le pré-traitement des taches, etc., consulter le *Conseils de blanchissage inclus*.



# Employer les commandes – modèles à trois vitesses

## ÉTAPE 1

### Sélection du niveau d'eau

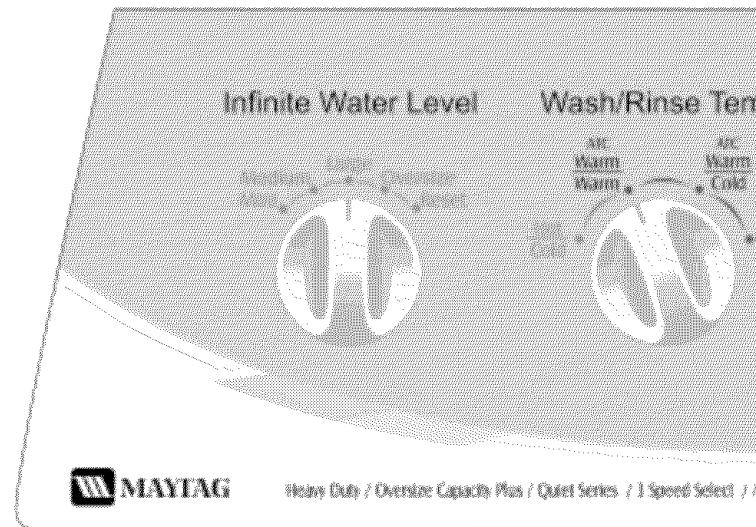
Régler le sélecteur sur le réglage correspondant à la grosseur de la charge. Cette sélection devrait fournir le niveau d'eau suffisant pour permettre la circulation de la charge au cours de l'agitation.

Il peut s'avérer nécessaire, en raison de l'épaisseur de certains tissus, de régler le niveau d'eau après le début de l'agitation. Pour régler le niveau d'eau, placer le sélecteur sur la position **reset** (nouveau réglage), puis le positionner en face de la quantité d'eau désirée.

RÉGLAGE DU NIVEAU D'EAU	GROSSEUR DE LA CHARGE
Mini (mini)	1/4 plein
Medium (moyen)	1/4 – 1/2 plein
Large (élevé)	1/2 – 3/4 plein
Oversize (grande)	3/4 plein – plein

#### Remarque

- Pour des résultats optimaux, le linge doit circuler librement.



## ÉTAPE 2

### Sélection de la température de lavage/rinçage de l'eau

La température de lavage de l'eau peut être chaude, tiède ou froide, tandis que la température de rinçage de l'eau peut être tiède ou froide.

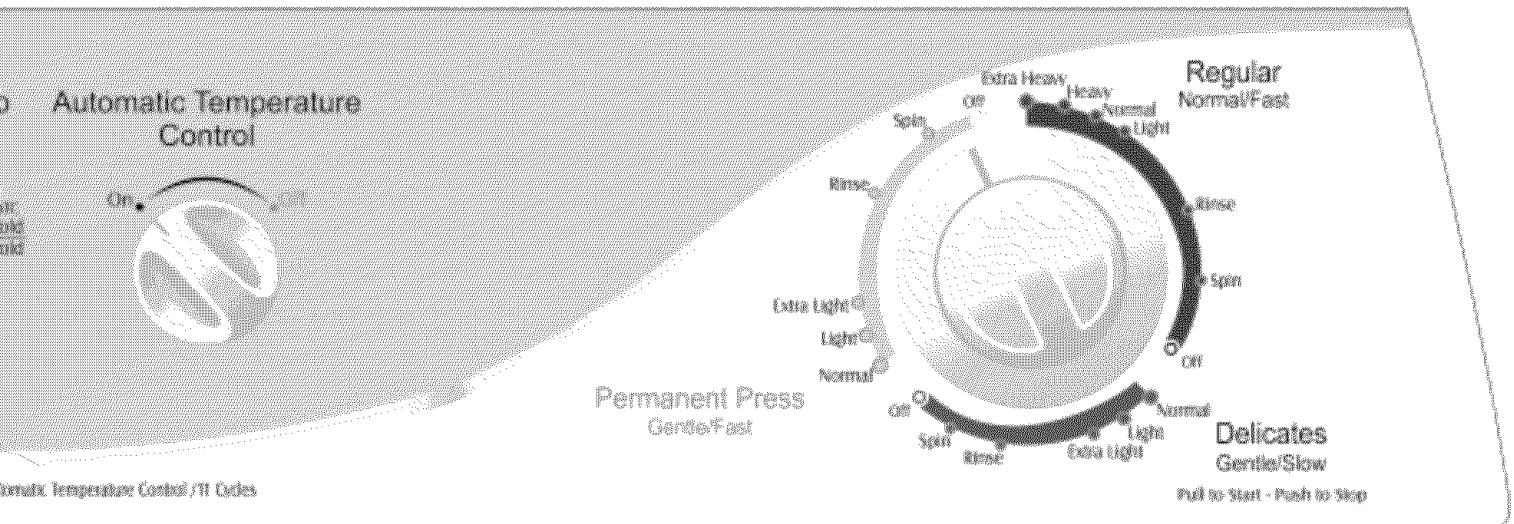
Lorsque le bouton de **Automatic Temperature Control** (la commande automatique de la température) est sur ON (marche), la laveuse fournit la température optimale de l'eau de lavage. Pour économiser l'énergie, cette laveuse module les températures de l'eau de lavage en mélangeant l'eau froide et l'eau chaude afin d'obtenir la température appropriée de l'eau.

#### Remarque

- À moins de 18° C, (65° F), l'eau est trop froide pour dissoudre les détergents en poudre et les activer.

TEMPÉRATURE LAVAGE/RINÇAGE	TYPE DE CHARGE
Hot/Cold (chaud/froid)	Blanc très sale et couleurs bon teint
Warm/Warm (tiède/tiède)	Linge modérément sale, articles de couleur
Warm/Cold (tiède/froid)	Linge modérément sale, articles de couleur ; la plupart des articles à pli permanent
Cold/Cold (froid/froid)	Articles aux couleurs vives, peu sales ; lainages lavables
<b>Ces fonctions comportent un réglage automatique des températures (A.T.C.) :</b>	
A.T.C. Warm Warm	A.T.C. Warm Cold
Maintenance de la température de l'eau tiède à environ 35° C, (95° F) ; pour un nettoyage optimum	
A.T.C. Cold Cold	Température de l'eau froide fixée à environ 24° C (75° F), pour l'activation adéquate de détergent

Les caractéristiques des commandes et le style varient selon le modèle.



### ÉTAPE 3

## Sélection du cycle

Pour sélectionner un cycle, pousser sur le sélecteur (en position arrêt) et le tourner vers la droite (dans le sens des aiguilles d'une montre) jusqu'à ce que la flèche soit vis-à-vis le niveau de sol requis en le cycle Regular (tissus ordinaires), Permanent Press (vêtements infroissables), ou Delicates (tricots et tissus délicats) désirés.

### Cycle Regular Fabrics (pour tissus ordinaires)

Procure une vitesse d'agitation et d'essorage rapide pour laver les articles en coton et le linge très sale. Pour un lavage optimum, régler le sélecteur à la position Extra Heavy (extra-robuste).

### Cycle Permanent Press (pour vêtements infroissables)

Procure une vitesse d'agitation normale pendant six minutes, suivi d'une pause, puis une agitation lente jusqu'à la fin du cycle afin de protéger les vêtements infroissables. La vitesse d'essorage est rapide, de façon à réduire la rétention d'eau.

### Cycle Delicates (pour tricots et tissus délicats)

Procure une vitesse d'agitation lente et une vitesse d'essorage lente pour les tricots et les tissus délicats.

### ÉTAPE 4

## Tirer le sélecteur pour mettre en marche

La machine peut être arrêtée à tout moment en poussant sur le sélecteur. Il est alors possible d'obtenir un trempage sans agitation ou de raccourcir, sauter ou répéter toute partie d'un cycle. Le sélecteur doit être enfoncé (position « off ») lorsque le réglage est modifié.

### Remarque

- Ne pas tourner le sélecteur dans le sens contraire des aiguilles d'une montre car la minuterie pourrait se trouver endommagée.

Pour des renseignements détaillés sur le triage, le prétraitement des taches, etc., voir le livret « *Conseils de blanchissage* » inclus avec la machine à laver.



# Employer les commandes –

## modèles à quatre vitesses

### ÉTAPE 1

#### Sélection du niveau d'eau

Régler le sélecteur sur le réglage correspondant à la grosseur de la charge. Cette commande permet de sélectionner un réglage spécifique ou tout autre réglage intermédiaire.

Il peut s'avérer nécessaire, en raison de l'épaisseur de certains tissus, de régler le niveau d'eau après le début de l'agitation. Pour régler le niveau d'eau, placer le sélecteur sur la position **reset** (nouveau réglage), puis le positionner en face de la quantité d'eau désirée.

RÉGLAGE DU NIVEAU D'EAU	GROSSEUR DE LA CHARGE
Mini (mini)	1/4 plein
Medium (moyen)	1/4 - 1/2 plein
Large (élevé)	1/2 - 3/4 plein
Oversize (grande)	3/4 plein - plein

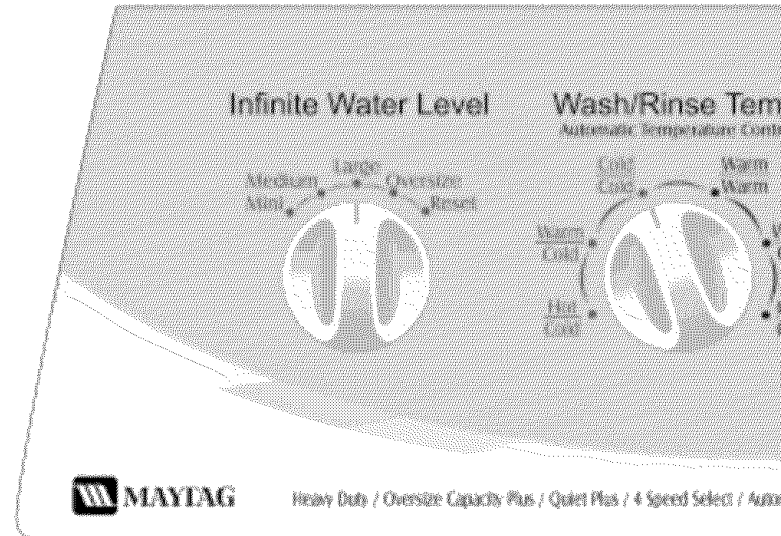
### ÉTAPE 2

#### Sélection de la température de lavage/rinçage de l'eau

La température de lavage de l'eau peut être chaude, tiède ou froide, tandis que la température de rinçage de l'eau peut être tiède ou froide. Le tableau présenté ci-dessous sert de guide.

**Automatic Temperature Control (la commande automatique de température)** établit la température de lavage optimale. Pour économiser l'énergie, cette laveuse module les températures de l'eau de lavage en mélangeant l'eau froide et l'eau chaude afin d'obtenir la température appropriée de l'eau.

TEMPÉRATURE LAVAGE/RINÇAGE	TYPE DE CHARGE
Hot/Cold (chaud/froid)	Blanc très sale et couleurs bon teint
Warm/Cold (tiède/froid)	Linge modérément sale, articles de couleur ; la plupart des articles à pli permanent
Cold/Cold (froid/froid)	Articles aux couleurs vives, peu sales ; lainages lavables
<b>Ces fonctions comportent un réglage automatique des températures :</b>	
Warm/Warm (tiède/tiède)	Maintien de la température de l'eau tiède à environ 35° C, (95° F) ; pour un nettoyage optimum
Warm/Cold (tiède/froid)	
Cold/Cold (froid/froid)	Température de l'eau froid fixée à environ 24° C (75° F), pour l'activation adéquate de détergent



#### Remarque

- Pour des résultats optimums, le linge doit circuler librement.

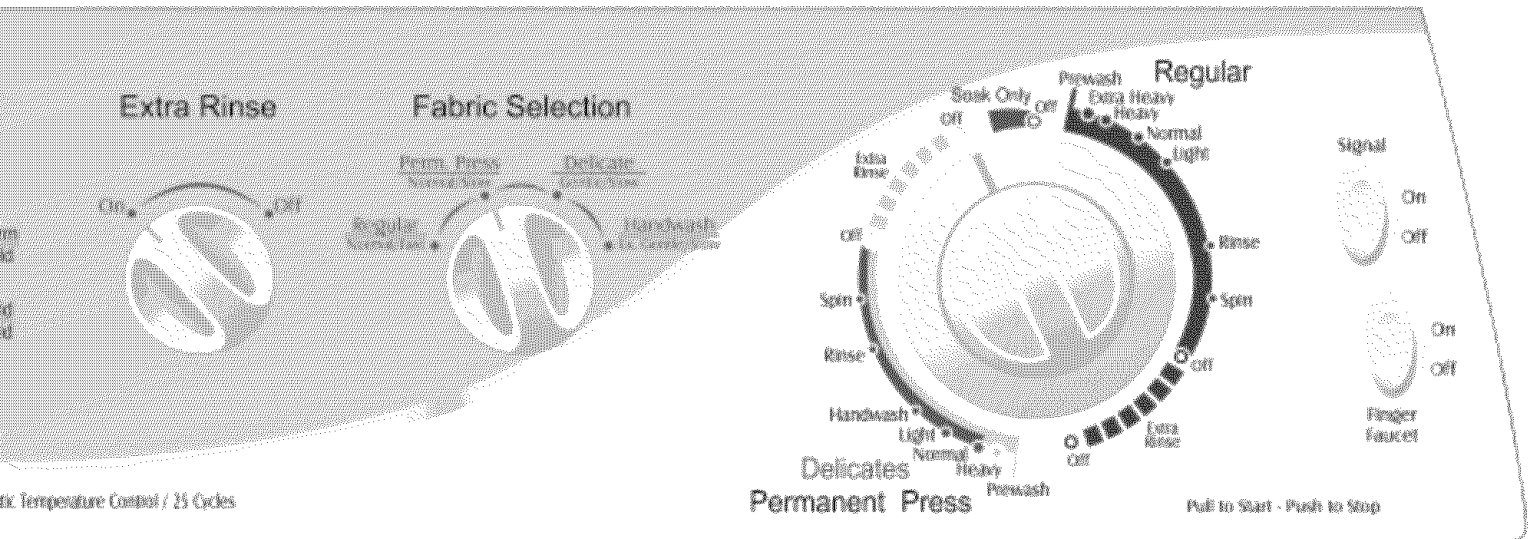
### ÉTAPE 3

#### Sélectionner le cycle de lavage/d'essorage (certains modèles)

La machine est programmée pour effectuer combinaisons de vitesse de lavage et d'essorage.

CHOIX SELON TISSUS	TYPE DE CHARGE
Regular Normal/Fast normal normale/rapide	Tissus robustes nécessitant un essorage maximum : jeans, serviettes, articles de literie
Perm. Press Normal/Slow vêtements infroissables normale/lente	Tissus robustes nécessitant un essorage à moindre vitesse qui minimisera le froissement : chemises, pantalons élégants
Delicate Gentle/Slow délicats douce/lente	Tissus fragiles, couvertures ou draps nécessitant une attention particulière
Handwash Ex. Gentle/Slow lavage manuel extra-douce/lente	Action intermittente d'agitation lente et de trempage pour les tissus délicats

Les caractéristiques des commandes et le style varient selon le modèle.



## Remarque

- À moins de 18° C, (65° F), l'eau est trop froide pour dissoudre les détergents en poudre et les activer.

## ÉTAPE 4

### Sélection du cycle

Pour sélectionner un cycle, pousser sur le sélecteur (en position arrêt) et le tourner vers la droite (dans le sens des aiguilles d'une montre) jusqu'à ce que la flèche soit vis-à-vis le niveau de sol requis.

### Cycles Permanent Press/Delicates (pour pressage permanent/linge délicat)

Les cycles pressage permanent/linge délicat partagent la même portion du sélecteur. Pour les tissus à pressage permanent, choisir le cycle et tourner le sélecteur sur Perm. Press « pressage permanent ». Pour les tissus délicats, sélectionner le réglage Delicate « linge délicat ».

### Cycle Regular (cycle standard pour tissus ordinaires)

Ce cycle procure jusqu'à 16 minutes. Sélectionner le réglage Regular « tissus standard ».

### Soak Only (trempage seulement) (certains modèles)

Ce cycle procure jusqu'à 4 minutes. **Éviter un trempage prolongé – ne pas dépasser 30 minutes.** Pour commander la vidange de l'eau et l'essorage, on doit sélectionner ensuite manuellement une opération d'essorage.

## ÉTAPE 5 (si l'on désire)

### Sélection des options

#### Extra Rinse (rinçage supplémentaire)

Lorsque le commutateur est à la position « On » (marche), un rinçage supplémentaire suit le cycles tissus ordinaires/vêtements infroissables pour enlever complètement les additifs des détergents à lessive, la mousse de savon, les parfums, etc.

#### Signal – End of Cycle (signal – fin de cycle)

Le signal sonore de fin de cycle est émis une fois après l'achèvement du cycle. Le signal de fin de cycle peut être annulé en mettant le sélecteur sur Off (arrêt).

## ÉTAPE 6

### Tirer le selecteur pour mettre en marche

La machine peut être arrêtée à tout moment en poussant sur le sélecteur. Il est alors possible d'obtenir un trempage sans agitation ou de raccourcir, sauter ou répéter toute partie d'un cycle. Le sélecteur doit être enfoncé (position « off ») lorsque le réglage est modifié.

## Remarque

- Ne pas tourner le sélecteur dans le sens contraire des aiguilles d'une montre car la minuterie pourrait se trouver endommagée.



# Caractéristiques spéciales

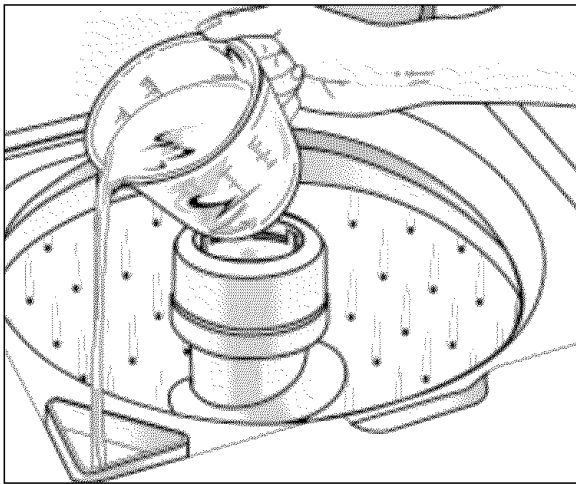
## Distributeur de javellisant liquide

Le distributeur dilue automatiquement le javellisant liquide avant qu'il atteigne le linge. Pour l'utiliser, procéder comme suit :

1. Mesurer la quantité de javellisant liquide avec soin en suivant les instructions sur le récipient.
2. Verser le javellisant dans le distributeur avant d'ajouter le linge. Éviter les éclaboussures ou le débordement du distributeur.

### Remarque

- Ne jamais verser de javellisant liquide non dilué directement sur le linge ou dans la cuve. Ce produit chimique est puissant et peut endommager les tissus, en les déchirant ou décolorant, s'il n'est utilisé correctement.
- Lorsqu'un javellisant sans chlore et sans danger pour les couleurs est utilisé, le verser dans la cuve avec le détergent. Ne pas verser de javellisant sans chlore dans le distributeur de javellisant.



Verser le javellisant liquide dans le distributeur de javellisant.

## Distributeur d'assouplissant

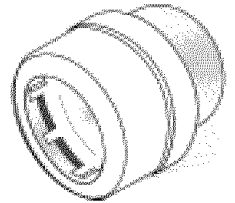
Ce distributeur ajoute l'assouplissant liquide au moment voulu du cycle. Pour l'utiliser, procéder comme suit :

1. Verser la quantité voulue de liquid dans le godet, jusqu'au repère de remplissage seulement.
2. Si le liquide n'atteint pas le repère, ajouter de l'eau tiède.

S'il devient nécessaire de nettoyer le godet à liquide :

1. Retirez le distributeur du haut de l'agitateur.
2. Trempez-le pendant une heure dans l'évier ou dans un recipient dans une solution d'eau chaude et de détergent liquide pour la vaisselle.
3. Mettez les mains sur le dessus et le dessous du distributeur et secouez-le, pour déloger les dépôts des côtés du distributeur.
4. Le rincer à l'eau chaude.
5. Répétez au besoin le processus.
6. Remettez le distributeur sur l'agitateur.

N'utilisez pas de liquide pour la vaisselle à l'intérieur de la laveuse, il y aurait risqué d'un excès de mousse.



## Finger Faucet (admission d'eau) (certains modèles)

Introduction d'eau lorsque le sélecteur est maintenu à la position « On ».





# Caractéristiques spéciales

## Filtre à charpie auto-nettoyant

*Le filtre à charpie auto-nettoyant ne nécessite aucun entretien.*

L'eau de lavage et de rinçage est filtrée et refiltrée continuellement pour retenir la charpie laissée par la plupart des tissus durant le cycle d'agitation avant d'être déposée de nouveau sur le linge. La conception des trous percés dans la cuve de lavage et le débit d'eau produit par l'agitateur permettent conjointement de retenir la charpie entre la cuve intérieure de lavage et la cuve extérieure. La charpie est automatiquement évacuée de la machine pendant le cycle d'essorage.

## Essorage sécuritaire

Si pour une raison quelconque le couvercle de la machine à laver est ouvert pendant le cycle d'essorage ou la période d'extraction, l'essorage sera interrompu immédiatement pour votre sécurité. Si la machine ne s'arrête pas, appeler immédiatement un technicien. Lorsque le couvercle est refermé, l'essorage se poursuit automatiquement.

## Compensateur de charge déséquilibrée pendant l'essorage

Cette machine à laver est conçue pour contenir des charges déséquilibrées sans s'arrêter ou interrompre le cycle de lavage.

Pour cette raison, le cycle sera toujours complété. Si des tissus plus épais contenus dans les charges déséquilibrées renferment un surplus d'humidité à la fin du cycle, redistribuer le linge dans la machine et régler de nouveau le sélecteur pour terminer l'essorage.

## Dispositif de protection contre les surcharges

Un dispositif de protection intégré arrête automatiquement le moteur de la machine en cas de surcharge. Cela peut se produire dans l'un des cas suivants :

- Charge trop lourde dans la machine à laver.
- Surplus d'appareils ménagers branchés dans la ligne de la machine à laver.
- Faible tension sur la ligne.
- Couvercle ouvert et fermé à répétition.

Le dispositif de protection contre les surcharges permet de remettre en marche la machine lorsque le moteur a refroidi à une température de fonctionnement sécuritaire.

Si le moteur s'arrête souvent, appeler le technicien.



# Nettoyage et entretien

- Après le lavage, laisser le couvercle ouvert jusqu'à ce que l'intérieur soit sec.
- Vérifier les boyaux pour s'assurer qu'il n'y a pas de noeuds ou d'entortillements.
- La machine ne doit pas être installée où la température descend sous le point de congélation car cela pourrait endommager la machine.
- Essuyer de temps à autre l'extérieur de la machine avec une éponge ou un linge propre et humide. Si nécessaire, polir occasionnellement en prenant soin de ne pas polir les parties en plastique.
- Une lubrification à vie est effectuée à l'usine ; la machine ne nécessite donc aucune huile ou graisse.
- Ne pas déposer d'articles lourds ou tranchants sur le dessus de la machine à laver.
- Le dessus de la machine à laver ne doit pas être utilisé pour détacher les vêtements. Certains détachants, pour la rouille, entre autres, abîmeront le fini.
- Enlever les épingles, les ceintures et autres objets tranchants des vêtements afin de prévenir les égratignures sur les parties intérieures.
- Les vêtements ne doivent pas être rangés dans la machine à laver.
- Les javellisants, détergents, solvants et autres produits qui sont renversés sur le dessus de la machine et y demeurent ternissent le fini. Enlever toutes les éclaboussures avec un linge doux et propre.
- Si vous fermez votre maison durant l'hiver, demandez à un technicien de vider l'eau de la machine. Débrancher le cordon d'alimentation de la prise de courant et les boyaux des robinets.

## Nettoyage de l'intérieur

Nettoyer périodiquement l'intérieur de la laveuse pour retirer toutes saletés, odeurs ou bactéries qui resteraient dans la laveuse par suite du lavage du linge. Nous recommandons de suivre les étapes suivantes tous les 60 – 120 jours pour nettoyer et rafraîchir l'intérieur de la laveuse. La fréquence à laquelle la laveuse doit être nettoyée et rafraîchie dépend de facteurs tels qu'utilisation, quantité de saleté ou bactéries passant par la laveuse, ou encore l'utilisation d'eau froide.

Pour nettoyer et rafraîchir l'intérieur de la laveuse :

- Ajouter une quantité mesurée de javellisant dans le distributeur d'agent de blanchiment, en suivant les instructions données sur le paquet.
- Ajouter 1/4 tasse de détergent dans la cuve.
- Faire faire à la laveuse un cycle complet avec de l'eau très chaude.
- Répéter au besoin le processus.



## Recherche des pannes

Pour des solutions aux problèmes de lessive (tissus abîmés, résidus, linge emmêlé, par exemple) et des méthodes spéciales d'entretien du linge, voir le livret «*Conseils de blanchissage*» inclus.

<b>Ne se remplit pas</b>	<ul style="list-style-type: none"> <li>Brancher la machine sur une prise murale sous tension.</li> <li>Vérifier le fusible ou réenclencher le disjoncteur.</li> <li>Mettre le sélecteur sur le cycle voulu et tirer dessus pour le mettre en position de marche.</li> <li>Ouvrir les deux robinets à fond.</li> <li>Redresser les boyaux d'arrivée.</li> <li>Débrancher les boyaux et nettoyer les filtres. Les filtres des boyaux pourraient être bouchés.</li> </ul>
<b>Ne produit pas d'agitation</b>	<ul style="list-style-type: none"> <li>Vérifier le fusible ou réenclencher le disjoncteur.</li> <li>S'assurer que le couvercle est bien fermé.</li> <li>Mettre le sélecteur sur le cycle voulu et tirer dessus pour le mettre en position de marche.</li> <li>Fermer le couvercle et tirer sur le sélecteur.</li> <li>Les pauses sont normales. Attendre pour voir si la machine à laver va se remettre en marche.</li> </ul>



# Recherche des pannes

<b>N'essore pas, ne se vidange pas</b>	<ul style="list-style-type: none"><li>• Vérifier le fusible ou réenclencher le disjoncteur.</li><li>• Redresser les boyaux. Éliminer les boyaux ne pouvant plus être redressés. Si l'évacuation est bouchée, appeler le service après-vente.</li><li>• Fermer le couvercle et tirer sur le sélecteur. Pour des raisons de sécurité, l'essorage ne fonctionnent pas si le couvercle est ouvert.</li><li>• Blocage causé par une quantité trop abondante de mousse. Relaver sans détergent. Utiliser une quantité correcte de détergent à mousse réduite.</li></ul>
<b>Linge mouillé</b>	<ul style="list-style-type: none"><li>• La charge est déséquilibrée. Redistribuer le linge, fermer le couvercle et tirer sur le sélecteur. Vérifier que la machine est de niveau. S'assurer que le niveau d'eau choisi est suffisant pour la quantité de linge lavée.</li><li>• Une vitesse d'essorage normale est recommandée pour du linge lourd comme jeans et serviettes.</li></ul>
<b>S'arrête</b>	<ul style="list-style-type: none"><li>• Brancher la machine sur une prise murale sous tension.</li><li>• Vérifier le fusible ou réenclencher le disjoncteur.</li><li>• Mettre le sélecteur sur le cycle voulu et tirer dessus pour le mettre en position de marche.</li><li>• Fermer le couvercle et tirer sur le sélecteur. Pour des raisons de sécurité, l'essorage ne fonctionnent pas si le couvercle est ouvert.</li><li>• C'est peut-être simplement une pause du cycle de lavage. Attendre quelques minutes ; il est possible que la machine se remette en marche.</li></ul>
<b>Fuit</b>	<ul style="list-style-type: none"><li>• Vérifier que les raccords des boyaux sont bien serrés.</li><li>• S'assurer que l'extrémité du boyau d'évacuation est insérée correctement et bien fixée sur le système d'évacuation.</li><li>• Trempage prolongé ; faire tremper 30 minutes maximum.</li><li>• Éviter de trop mettre de linge.</li></ul>
<b>Est bruyante</b>	<ul style="list-style-type: none"><li>• Vérifier que la machine a été mise de niveau tel qu'indiqué dans le manuel de mise en service.</li><li>• Les planchers peu solides peuvent produire des vibrations et le déplacement de la machine.</li><li>• Des bruits de fonctionnement varient selon la vitesse de l'agitation.</li></ul>
<b>Se remplit d'eau à une température</b>	<ul style="list-style-type: none"><li>• Ouvrir les deux robinets à fond.</li><li>• Si la machine est dotée d'un sélecteur de température, vérifier que celui-ci est bien placé sur une température et non pas entre deux réglages.</li><li>• S'assurer que la température sélectionnée est la bonne.</li><li>• Si le réglage « Auto Temperature Control » (contrôle automatique de la température) (certains modèles) a été sélectionné, l'eau froide peut paraître plus chaude par rapport à l'eau du robinet.</li><li>• S'assurer que les boyaux sont raccordés aux robinets et raccords d'arrivée d'eau voulus. S'assurer que l'alimentation en eau est correctement réglée. Faire passer de l'eau sous forte pression dans les conduites avant de remplir la machine à laver.</li><li>• Vérifier le chauffe-eau. Il doit être réglé pour assurer une eau chaude à 49° C (120° F) au robinet. Également vérifier la capacité du chauffe-eau et sa rapidité de chauffage une fois qu'il a été vidé.</li><li>• Déconnecter les boyaux et nettoyer les filtres. Les filtres des boyaux pourraient être bouchés.</li></ul>
<b>Le selecteur passe automatiquement a un réglage audela de «Off» (arrêt)</b>	<ul style="list-style-type: none"><li>• Un Extra Rinse (certains modèles) a été sélectionné.</li></ul>

Pour toute assistance technique, communiquer avec Maytag Services<sup>SM</sup>,  
Service-clients Maytag : au Canada : 1-800-688-2002.



# Garantie et service après-vente

## Garantie de la laveuse

### Garantie totale d'un an

Pendant un (1) an à partir de la date de l'achat d'origine, toute pièce qui vient à être défectueuse dans des conditions normales d'utilisation ménagère sera réparée ou remplacée gratuitement.

### Garantie limitée

Après la première année suivant la date de l'achat d'origine et pendant les périodes énumérées ci-dessous, les pièces indiquées ci-après qui se révéleraient défectueuses dans des conditions normales d'utilisation domestique seront réparées ou remplacées gratuitement pour ce qui est de la pièce elle-même; il revient au client de prendre à sa charge les autres frais, y compris les frais de main-d'œuvre, de kilométrage, de déplacement, de transport et si besoin est, les frais relatifs au diagnostic.

**Deuxième année :** Toutes les pièces.

**De la troisième à la cinquième année :** Le moteur. Toutes les commandes à circuits intégrés (si la machine en est équipée).

**De la troisième à la dixième année :** Toutes les pièces de l'ensemble de transmission.

**De la troisième année à vie :** Panier intérieur.

### Garantie limitée additionnelle contre la rouille à cœur :

Si la caisse extérieure et la porte font l'objet de perforation par la rouille au cours de la première année suivant la date de l'achat d'origine, elle sera réparée ou remplacée gratuitement. Après la première année et jusqu'à la fin de la dixième année, elle sera réparée ou remplacée gratuitement pour ce qui est de la pièce elle-même, tous les autres frais, y compris ceux de main-d'œuvre, de kilométrage, de déplacement, de transport et les frais relatifs au diagnostic (si besoin est), étant à la charge du client.

**À noter :** Cette garantie totale et la garantie limitée s'appliquent quand la machine se trouve aux États-Unis ou au Canada. Si elle se trouve dans une autre partie du monde, elle n'est couverte que par la garantie limitée, y compris en ce qui concerne les pièces se révélant défectueuses au cours de la première deux années.

### Résidents canadiens

Cette garantie ne couvre que les appareils électroménagers mis en service au Canada et homologués par des organismes de vérification appropriés ou certifiés conformes aux directives de l'Association canadienne de normalisation, sauf en ce qui concerne les appareils transférés au Canada à la suite d'un changement de résidence à partir des États-Unis.

Les garanties spécifiques ci-dessus sont les SEULES garanties accordées par le fabricant. Cette garantie vous donne des droits juridiques spécifiques et vous pouvez également bénéficier d'autres droits qui varient d'une province à l'autre.

## Ne sont pas couverts par ces deux garanties :

1. Les problèmes et dommages résultant des situations suivantes :
  - a. Installation, livraison ou entretien défectueux.
  - b. Toute réparation, modification, altération ou ajustement non autorisé par le fabricant ou un prestataire de service après-vente agréé.
  - c. Usage inapproprié, abusif, déraisonnable ou accidents.
  - d. Alimentation électrique ou tension incorrectes.
  - e. Réglage inapproprié de toute commande.
2. Les garanties sont annulées si les numéros de série d'origine ont été enlevés, modifiés ou ne peuvent être déterminés facilement.
3. Appareils achetés à des fins commerciales ou industrielles.
4. Les frais de dépannage ou de visite pour :
  - a. Corriger des erreurs d'installation.
  - b. Enseigner au consommateur comment utiliser son appareil correctement.
  - c. Assurer le transport de l'appareil jusqu'à l'entreprise de service après-vente.
5. Dommages indirects ou accessoires supportés par toute personne à la suite d'une quelconque violation de garantie.

Certain états ne permettent pas l'exclusion ou la limitation de responsabilité en ce qui concerne les dommages indirects, et l'exclusion ci-dessus peut ne pas s'appliquer à votre cas.

## Pour obtenir les prestations de garantie

Pour localiser une entreprise de service après-vente agréé Maytag dans votre région, contacter le concessionnaire MAYTAG où la machine a été achetée ou appeler Maytag Services<sup>SM</sup> le service-clients Maytag. Si les prestations de garantie obtenues ne vous donnent pas satisfaction, contacter ce service par courrier ou par téléphone :

Maytag Services<sup>SM</sup>  
Attn: CAIR<sup>®</sup> Center  
P.O. Box 2370  
Cleveland, TN 37320-2370  
**Canada 1-800-688-2002**

### Remarque

- Quand vous écrivez au sujet d'un problème non résolu, veuillez inclure les renseignements suivants :
  - a. Vos nom, adresse et numéro de téléphone ;
  - b. Les numéros de modèle et de série de votre machine (sur la plaque signalétique sur le bord supérieur couvercle du tableau de commandes) ;
  - c. Les nom et adresse du concessionnaire ainsi que la date d'achat de l'appareil ;
  - d. Une description claire du problème rencontré ;
  - e. Date de la preuve d'achat (bon de caisse).



# Lavadora

## Guía de uso y cuidado

### Tabla de materias



**Seguridad** ..... 29-30



**Sugerencias para la operación** ..... 31-32

Detergente  
Colocación de la carga de ropa  
Sugerencias adicionales



**Usar los controles (Modelos con tres velocidades)** .. 33-34

Seleccione el nivel del agua  
Seleccione las temperatura de lavado y enjuague  
Seleccione el ciclo  
Jale el disco de control para comenzar

**(Modelos con cuatro velocidades)** 35-36

Seleccione el nivel del agua  
Seleccione las temperatura de lavado y enjuague  
Seleccione el tipo de lavado y la velocidad de centrifugado  
Seleccione el ciclo  
Seleccione las opciones  
Jale el disco de control para comenzar



**Características especiales** .. 37-38

Surtidor de blanqueador líquido  
Surtidor de líquidos  
Finger Faucet  
Sistema automático de filtrado de pelusa  
Centrifugado de seguridad  
Compensador de carga en caso de centrifugado no balanceado  
Protector de carga excesiva



**Cuidado y limpieza** ..... 39



**Localización y solución de averías** ..... 39-40



**Garantía y servicio** ..... 43



# Seguridad

**Instalador:** Deje este manual con el electrodoméstico.

**Cliente:** Lea y conserve este manual para futuras referencias. Conserve el recibo de compra y/o el cheque cancelado como comprobante de compra.

Número de modelo \_\_\_\_\_

Número de serie \_\_\_\_\_

Fecha de compra \_\_\_\_\_

Si desea obtener más información llame a:

Pour toute question, contacter :

Maytag Customer Assistance

1-800-688-9900 EE.UU.

1-800-688-2002 Canadá

(De lunes a viernes de 8 a.m. a 8 p.m. hora del Este)

Internet: <http://www.maytag.com>

En nuestro esfuerzo continuo para mejorar la calidad y el rendimiento de nuestros productos, puede ser necesario hacer cambios a este electrodoméstico sin necesidad de revisar esta guía.

**Si desea obtener más información sobre el servicio, consulte la página 43.**

## Ahora debe conocer las instrucciones de seguridad

Las advertencias y las instrucciones importantes de seguridad que aparecen en este manual no tienen el propósito de cubrir todas las condiciones posibles que podrían ocurrir. Debe usarse sentido común, precaución y cuidado cuando se instale, se presente mantenimiento o se opere el electrodoméstico.

Siempre comuníquese con el distribuidor, concesionario, agente de servicio o fabricante para los asuntos relacionados con problemas o condiciones que no entienda.

## Reconozca los símbolos de seguridad, advertencias, etiquetas

### **ADVERTENCIA**

**ADVERTENCIA** – Peligros o prácticas no seguras que **PODRÍAN** causar lesión personal grave o mortal.

### **PRECAUCIÓN**

**PRECAUCIÓN** – Peligros o prácticas no seguras que **PODRÍAN** causar lesión personal menos grave.

### **¡ADVERTENCIA: RIESGO DE INCENDIO**

No añada en el agua de lavado gasolina, solventes de limpieza en seco, ni otras sustancias inflamables o explosivas. Estas sustancias desprenden vapores que se podrían inflamar o explotar.

No lave artículos previamente limpiados, lavados, sumergidos o manchados con gasolina, solventes de limpieza en seco, aceite, ceras, solventes químicos, alcohol, trementina u otros materiales inflamables o explosivos. Estas sustancias quedan retenidas en los artículos y es posible que desprendan vapores que se pueden inflamar o explotar.

Observe estas precauciones cuando utilice líquidos de limpieza, productos para quitar manchas, etc. Estos productos deben estar clasificados como “no inflamables”. Utilícelos de acuerdo con las instrucciones del fabricante en un área bien ventilada o al aire libre. Enjuague minuciosamente a mano las prendas que contengan estas sustancias antes de ponerlas en la lavadora. Algunos de estos productos, por ejemplo los productos para quitar manchas de óxido, dañarán los componentes y el acabado de la lavadora.

Mantenga el área alrededor y debajo de la lavadora libre de materiales combustibles tales como pelusa, papel, trapos, gasolina y otros vapores y líquidos inflamables.

**¡EL HIDRÓGENO GASEOSO ES EXPLOSIVO!** Bajo ciertas condiciones, en un sistema de agua caliente que no se ha usado durante dos semanas o más tiempo se puede producir hidrógeno gaseoso. Si el sistema de agua caliente no se ha usado durante ese período de tiempo, antes de usar la lavadora abra todos los grifos de agua caliente durante varios minutos. Esto permitirá la liberación del hidrógeno gaseoso que se pudiese haber acumulado. Debido a que este gas es inflamable, cuando realice este procedimiento no fume ni use una llama abierta.

En estudios recientes se ha demostrado que si los materiales contaminados con aceite vegetal se lavan inadecuadamente, la acumulación del aceite puede contribuir a que ocurra una reacción química (combustión espontánea) que podría causar la inflamación repentina de una carga de ropa. Esto puede suceder con más probabilidad cuando se deja la carga de ropa en la lavadora después de que termina el ciclo de secado o cuando las prendas se doblan y apilan mientras están calientes.



# Seguridad

## ⚠ ADVERTENCIA

Para reducir el riesgo de incendio, explosión, descarga eléctrica o lesiones personales al usar su lavadora, siga las precauciones básicas de seguridad, entre ellas las siguientes:

1. Lea todas las instrucciones antes de usar el electrodoméstico.
2. Al igual que con cualquier equipo que utiliza electricidad y que tiene piezas móviles, existen ciertos riesgos potenciales. Para usar este electrodoméstico con seguridad, el usuario debe familiarizarse con las instrucciones de funcionamiento del electrodoméstico y ejercer siempre cuidado cuando lo usa.
3. No instale ni almacene este electrodoméstico donde estará expuesto a las inclemencias del tiempo.
4. Instale y nivele la lavadora sobre un piso firme que pueda soportar el peso.
5. Este electrodoméstico debe ser puesto a tierra de manera apropiada. Nunca enchufe el cordón del electrodoméstico en un tomacorriente que no esté debidamente puesto a tierra y de acuerdo con el código nacional y local. Vea las instrucciones de instalación para la puesta a tierra de este electrodoméstico.
6. Para evitar la posibilidad de incendio o explosión:
  - a. No lave artículos que han sido previamente limpiados, lavados, sumergidos o manchados con gasolina, solventes de limpiar en seco u otras sustancias inflamables o explosivas pues pueden emitir vapores inflamables o producir una explosión. Lave a mano y cuelgue en una cuerda de secar cualquier artículo que contenga estas sustancias.

Cualquier material en el cual se haya usado un agente de limpieza o que esté saturado con líquidos o sólidos inflamables, no debe ser colocado en la lavadora hasta que todos los restos de estos líquidos o sólidos y sus vapores hayan sido eliminados.

Estos artículos incluyen acetona, alcohol desnaturalizado, gasolina, kerosén, algunos líquidos de limpieza domésticos, algunos quitamanchas, agua ras, ceras y quitaceras.
  - b. No agregue gasolina, solventes de lavado en seco ni otras sustancias inflamables o explosivas al agua del lavado. Estas sustancias emiten vapores que pueden encenderse o explotar.
  - c. Bajo ciertas condiciones, se puede producir gas hidrógeno en un sistema de agua caliente que no ha sido usado durante dos semanas o más. **EL GAS HIDROGENO ES EXPLOSIVO.** Si el sistema del agua caliente no ha sido usado durante tal período, antes de usar una lavadora o una combinación de lavadora y secadora, abra todas las llaves del agua caliente y deje que el agua escurra durante varios minutos. Esto eliminará cualquier gas hidrógeno acumulado. Debido a que el gas es inflamable, no fume ni use una llama abierta durante este período.
- d. No lave ni seque artículos que estén sucios con aceite vegetal o de cocinar. Estos artículos pueden contener algo de aceite después de ser lavados. Debido al aceite remanente, la tela puede echar humo o prenderse fuego por sí sola.
7. No coloque la mano dentro del electrodoméstico cuando la tina o el agitador estén en movimiento.
8. No permita que los niños o animales domésticos jueguen dentro, delante o en el electrodoméstico. Es necesaria una supervisión estricta cuando el electrodoméstico es usado cerca de los niños o animales domésticos.
9. No altere los controles.
10. No repare ni reemplace ninguna pieza de la lavadora ni intente efectuar ningún servicio a menos haya sido recomendado específicamente en las instrucciones de reparación por el usuario y que usted las comprenda y tenga habilidad para efectuarlas.
11. Desenchufe el cordón eléctrico antes de intentar reparar su lavadora. La reparación debe ser efectuada solamente por personal de servicio calificado.
12. El agitador no debe ser sacado. Si el agitador se retira, debe ser colocado nuevamente oprimiéndolo hacia abajo completamente y apretando el tornillo de bloqueo antes de que la lavadora sea usada.
13. Mantenga todos los aditivos del lavado, tal como detergentes, blanqueador, etc. fuera del alcance de los niños, preferiblemente en un armario con llave. Use los aditivos del lavado solamente de acuerdo con las instrucciones del fabricante. Observe todas las advertencias en las etiquetas de los envases.
14. Mantenga el área alrededor y debajo de la lavadora sin que haya acumulación de materiales combustibles, tal como pelusas, papel, trapos, gasolina y todos los otros vapores y líquidos inflamables.
15. No use blanqueador de cloro ni amoníaco o ácidos (tales como vinagre o desoxidantes) en el mismo lavado. Se pueden formar vapores peligrosos.
16. No lave en la lavadora materiales de fibra de vidrio. Se pueden pegar partículas en las ropas que se vayan a lavar a continuación y causar irritación a la piel.
17. Para acabados de telas resistentes a las llamas - siga cuidadosamente las instrucciones del fabricante de la prenda. El lavado inapropiado puede extraer el acabado.
18. Antes de que la lavadora sea puesta fuera de servicio o descartada, retire la puerta del compartimiento del lavado.
19. Las mangueras de admisión del agua están sujetas a daño y deterioro con el pasar del tiempo. Verifique periódicamente las mangueras para comprobar que no tengan protuberancias, torceduras, cortes, desgaste o escapes y reemplácelas cada cinco años.

**CONSERVE ESTAS INSTRUCCIONES**



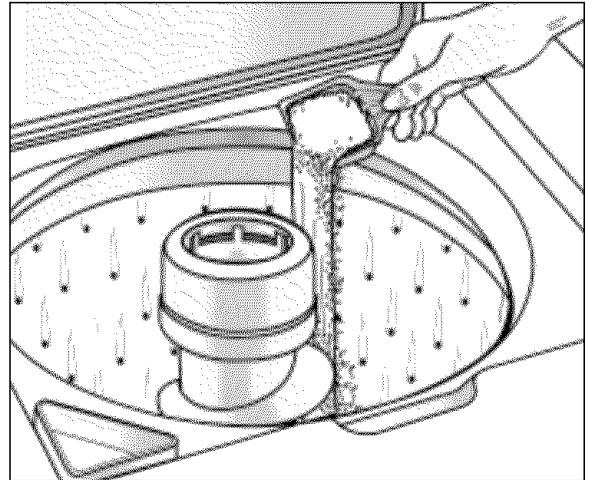
# Sugerencias para la operación

## Detergente

- Utilice detergente líquido o granular para lavar ropa. **Para obtener los mejores resultados, asegúrese de añadir el detergente a la lavadora ANTES de colocar la carga de ropa, y de que el agua de lavado tenga una temperatura mayor que 18.3 °C (65 °F).**
- Use la cantidad de detergente adecuada para el tamaño de la carga, el grado de suciedad y las condiciones del agua. Utilice más detergente si el agua es dura y las cargas están muy sucias.

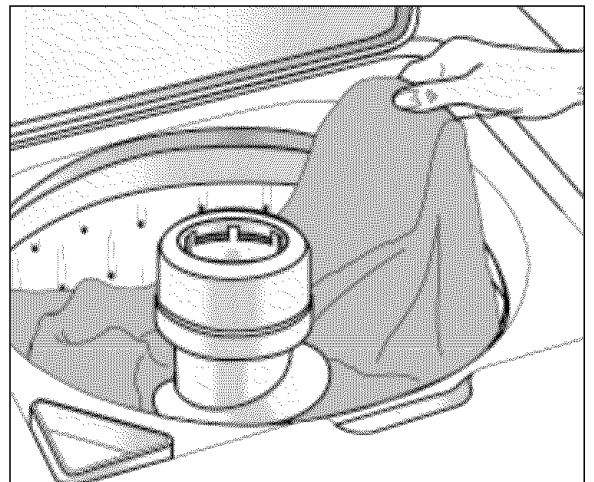
Si el agua es suave o la carga está ligeramente sucia, utilice menos detergente. (Consulte las instrucciones del fabricante.)

- Quite cualquier cantidad de detergente que caiga en la lavadora.



## Colocación de la carga de ropa

- Coloque en la tina de la lavadora la ropa seca, desdoblada y de manera holgada, hasta la fila superior de orificios en el caso de una carga completa.
- No envuelva alrededor del agitador las prendas grandes, como por ejemplo las sábanas.
- Mezcle prendas pequeñas y grandes para obtener la mejor circulación. Lave por separado los artículos voluminosos como por ejemplo cobijas o cobertores.
- Cuando lave artículos de planchado permanente o de hechura delicada, lanas lavables o artículos de tela de punto, nunca use menos del ajuste de agua MEDIUM (MEDIANO). Esto reducirá al máximo o minimizará el encogimiento, arrugado y los tirones de las costuras.
- Para obtener mejores resultados, ponga el detergente en la tina de lavado antes de añadir la carga.
- Cierre cuidadosamente la tapa para evitar golpearla.





# Sugerencias para la operación

## Sugerencias adicionales

- Está posible por la ropá llegar a ser uniformemente distribuida durante el centrifugado. Si esto sucede, oprima la perilla de control, abra la tapa, vuelva a distribuir la ropa, cierre la tapa y tire hacia afuera la perilla de control. El centrifugado continuará desde el punto en que fue interrumpido.
- La lavadora se detendrá brevemente a través de cada ciclo. Estas pausas son normales.
- La lavadora está diseñada para que no funcione en el ciclo de centrifugado cuando la tapa está levantada. Sin embargo, se puede llenar y agitar con la tapa levantada para permitir el acceso al agua durante el pretratamiento de manchas o para diluir el suavizante de ropa.
- Si usted abre la tapa durante un ciclo, la lavadora se detendrá. Cuando se cierre la tapa y la perilla de control está hacia afuera, la lavadora continuará el ciclo en el punto en que fue interrumpido.

Consulte el folleto Sugerencias para el lavado de la ropa que se adjunta si desea ver información detallada sobre la separación de la ropa, el pretratamiento de manchas, etc.



# Usar los controles – modelos con tres velocidades

## PASO 1

### Selección el nivel del agua

Determine el ajuste de acuerdo con el tamaño de la carga de ropa. Este ajuste debe proporcionar suficiente agua para permitir que la ropa se mueva libremente durante la agitación.

Es posible que sea necesario, como por ejemplo en el caso de telas voluminosas, ajustar el nivel del agua después de que comienza la agitación. Para ajustar el nivel del agua, gire el control hasta **reset** (reajustar) y luego vuélvalo a colocar en el ajuste deseado.

AJUSTE DEL NIVEL DEL AGUA	TAMAÑO DE LA CARGA
Mini (mini)	1/4 de la capacidad
Medium (mediano)	1/4 – 1/2 de la capacidad
Large (grande)	1/2 – 3/4 de la capacidad
Oversize (extragrande)	3/4 de la capacidad – llena

#### Nota

- Los artículos deben moverse libremente para obtener los mejores resultados.

## PASO 2

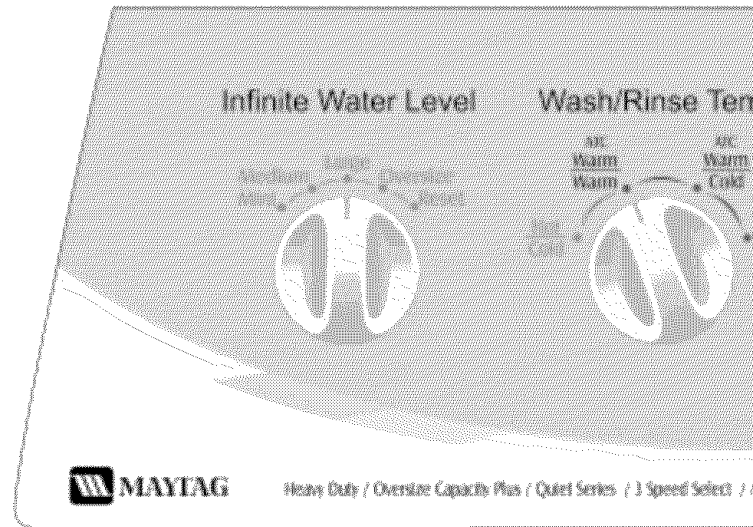
### Selección de las temperaturas de lavado y enjuague

Para el lavado usted puede seleccionar agua caliente, agua tibia o agua fría y para el enjuague puede seleccionar agua fría o agua tibia.

Cuando la perilla de **Automatic Temperature Control** (control automático de la temperatura) está en la posición “On” (encendido), la lavadora selecciona la temperatura del agua de lavado óptima para limpieza de la ropa. Para ahorrar energía, esta lavadora regula la temperatura del agua mezclando agua caliente con agua fría a fin de lograr la temperatura apropiada del agua.

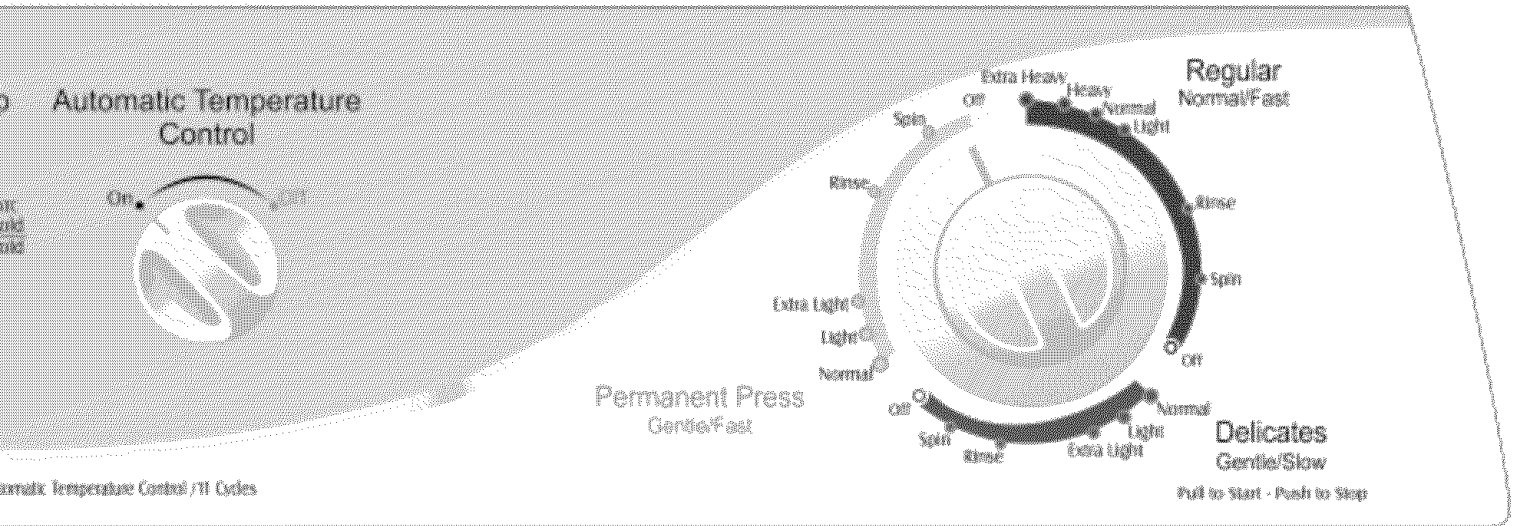
#### Nota

- El detergente no se disuelve bien en el agua de lavado con temperatura menor que 18.3° C (65° F), y por lo tanto no limpiará adecuadamente la ropa.



TEMPS DE LAVADO/ENJUAGUE	TIPO DE CARGA
Hot/Cold (caliente/fría)	Ropa blanca y ropa de colores sólidos muy sucia
Warm/Warm (tibia/tibia)	Ropa de color moderadamente sucia
Warm/Cold (tibia/fría)	Ropa de color moderadamente sucia; la mayoría de la ropa inarrugable
Cold/Cold (fría/fría)	Ropa de colores brillantes, ligeramente sucia; lanas lavables
<b>Estos ajustes tienen control automático de la temperatura (A.T.C.):</b>	
A.T.C. <u>Warm</u> Warm	A.T.C. <u>Warm</u> Cold
Asegura una temperatura de lavado con agua tibia de 95° F, (35° C). Proporciona resultados de limpieza óptimos	
A.T.C. <u>Cold</u> Cold	
Asegura una temperatura de lavado con agua fría de 75° F (24° C) para activar el detergente de manera adecuada	

Las características de control y los estilos varían según el modelo.



### PASO 3

## Selección el ciclo

Para seleccionar un ciclo, presione el disco de control y hágalo girar hacia la derecha hasta que el indicador apunte el número de minutos de lavado que desea en los ciclos regular, telas inarrugables o delicado.

### Regular Fabrics (ciclo regular)

Permite velocidades rápido de agitación y de centrifugado para lavar ropa de algodón y ropa muy sucia. Para obtener la máxima limpieza ajuste el disco en Extra Heavy (muy sucio).

### Cycle Permanent Press (pour telas inarrugables)

Permite una velocidad de agitación normal durante seis minutos, hace una pausa, y luego inicia una agitación lenta durante el resto del ciclo de lavado para proteger las telas inarrugables. La velocidad de centrifugado será rápido para reducir la retención del agua.

### Delicates (ciclo delicado)

Permite velocidades lentas de agitación y de centrifugado será lento para la ropa delicada y tejida.

### PASO 4

## Jale el disco de control para comenzar

Puede detener el funcionamiento de la lavadora en cualquier momento presionando el disco de control. Por lo tanto, es posible realizar un remojo sin agitación o acortar, evitar o repetir cualquier parte de un ciclo. El disco de control debe estar PRESIONADO (en la posición off, apagado) cuando cambie el ajuste.

### Nota

- No intente girar el disco de control hacia la izquierda, de lo contrario dañará el temporizador.

Consulte la guía *Laundering Tips (Sugerencias para el lavado de la ropa)* si desea ver los procedimientos adecuados para lavar la ropa, quitar manchas y algunas situaciones especiales.



# Usar los controles –

## modelos con cuatro velocidades

### PASO 1

#### Selección el nivel del agua

Determine el ajuste de acuerdo con el tamaño de la carga de ropa. Este control infinito (modelos selectos) le permite seleccionar un ajuste específico o cualquier punto intermedio.

Es posible que sea necesario, como por ejemplo en el caso de telas voluminosas, ajustar el nivel del agua después de que comienza la agitación. Para ajustar el nivel del agua, gire el control hasta **reset** (reajustar) y luego vuélvalo a colocar en el ajuste deseado.

AJUSTE DEL NIVEL DEL AGUA	TAMAÑO DE LA CARGA
Mini (mini)	1/4 de la capacidad
Medium (mediano)	1/4 – 1/2 de la capacidad
Large (grande)	1/2 – 3/4 de la capacidad
Oversize (extragrande)	3/4 de la capacidad – llena

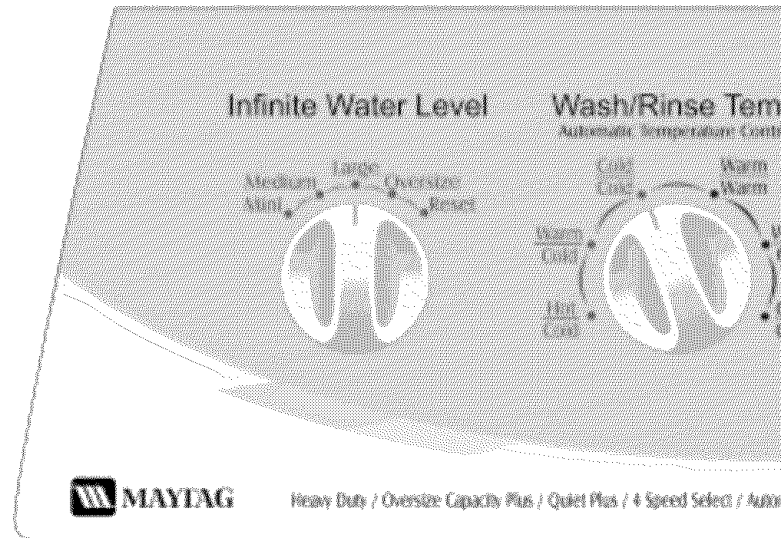
### PASO 2

#### Selección las temperatura de lavado y enjuague

La lavadora le permite seleccionar entre agua caliente, tibia o fría para lavar, y agua fría o tibia para enjuagar.

**Automatic Temperature Control (el control automático de la temperatura)** le ofrece la temperatura de agua de lavado óptima para limpieza. Para ahorrar energía, esta lavadora regulará las temperaturas del agua mezclando agua caliente con agua fría a fin de lograr la temperatura apropiada del agua.

TEMPS DE LAVADO/ENJUAGUE	TIPO DE CARGA
Hot/Cold (caliente/fría)	Ropa blanca y ropa de colores sólidos muy sucia
Warm/Cold (tibia/fría)	Ropa de color moderadamente sucia; la mayoría de la ropa inarrugable
Cold/Cold (fría/fría)	Ropa de colores brillantes, ligeramente sucia; lanas lavables
<b>Estos ajustes tienen control automático de la temperatura:</b>	
A.T.C. <u>Warm</u> Warm	A.T.C. <u>Warm</u> Cold
Asegura una temperatura de lavado con agua tibia de 95° F, (35° C). Proporciona resultados de limpieza óptimos	
A.T.C. <u>Cold</u> Cold	
Asegura una temperatura de lavado con agua fría de 75° F (24° C) para activar el detergente de manera adecuada	



#### Nota

- Los artículos deben moverse libremente para obtener los mejores resultados.

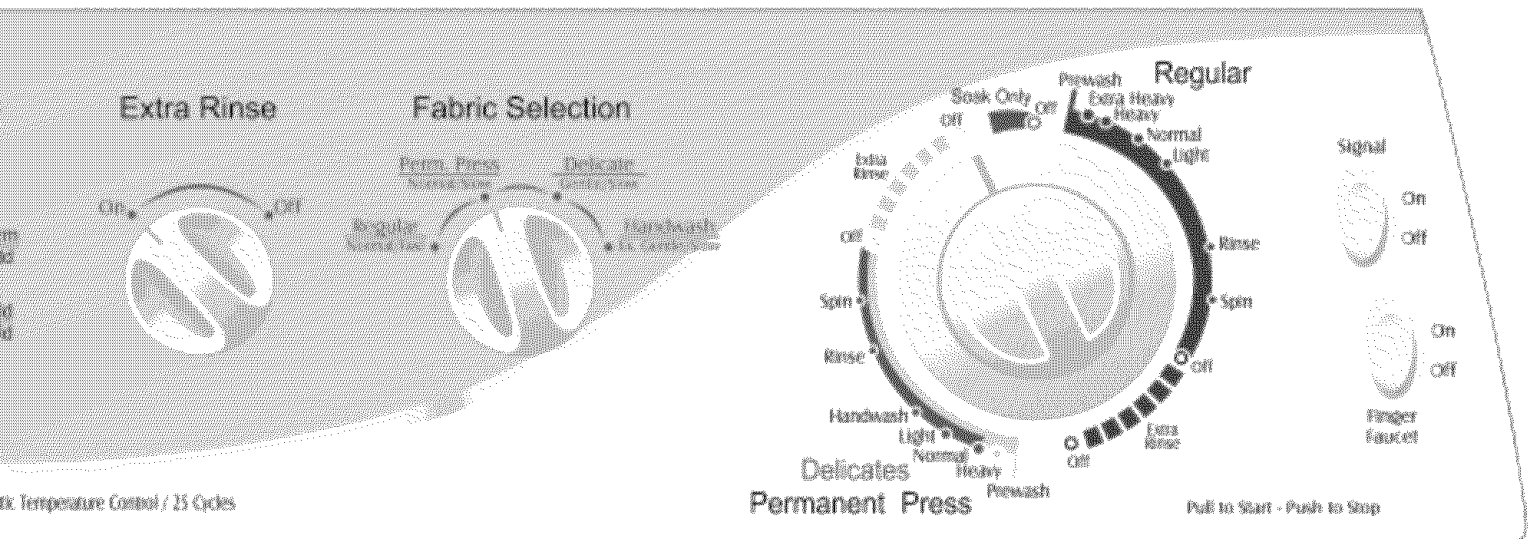
### PASO 3

#### Selección el tipo de lavado y la velocidad de centrifugado

La lavadora ofrece varias combinaciones de tipo de lavado y velocidad de centrifugado de las cuales puede seleccionar.

SELECCIÓN DE TELAS	TIPO DE CARGA
<u>Regular</u> Normal/Fast regular normal/rápido	Telas resistentes que necesitan la máxima extracción de agua como vaqueros, toallas, ropa de cama
<u>Perm. Press</u> Normal/Slow telas inarrugables normal/lento	Telas resistentes que necesitan una menor velocidad de centrifugado debido a que se arrugan tales como camisas de vestir, pantalones de vestir
<u>Delicate</u> Gentle/Slow ropa delicada suave/lento	Telas delicadas que necesitan una menor velocidad de centrifugado debido a la construcción de la ropa
<u>Handwash</u> Ex. Gentle/Slow lavado a mano muy suave/lento	Agitación intermitente lenta y remojo para lavar cuidadosamente los artículos más delicados

Las características de control y los estilos varían según el modelo.



## Nota

- El detergente no se disuelve bien en el agua de lavado con temperatura menor que 18.3° C (65° F), y por lo tanto no limpiará adecuadamente la ropa.

## PASO 4

### Selección el ciclo

Para seleccionar un ciclo, presione el disco de control y hágalo girar hacia la derecha hasta que el indicador apunte el nivel del suelo necesitó de lavado que desea.

### Permanent Press/Delicates (planchado permanente/telas delicadas)

Los ciclos planchado permanente y telas delicadas comparten la misma porción de la perilla de control. Para telas con planchado permanente, seleccione el ciclo y gire la perilla de selección de telas a 'Perm. Press'. Para lavar ropa delicada seleccione 'Delicate'.

### Regular (ciclo regular)

Este ciclo proporciona 16 minutos de agitación. Seleccione el ciclo y gire la perilla de selección de telas a 'Regular'.

### Soak Only (remojo solamente) (modelos selectos)

Este ciclo permite hasta 4 minutos de agitación. **Evite el remojo prolongado – remoje durante 30 minutos o menos.** La perilla de control debe ser avanzada manualmente a un ajuste de centrifugado para centrifugar y desaguar el agua.

## PASO 5 (opcional)

### Selección las opciones

#### Extra Rinse (enjuague adicional)

Cuando el interruptor está en la posición "On" (encendido), se realizará un enjuague adicional al final del ciclo regular/telas inarrugables con el objeto de una remoción más completa de aditivos de lavandería, espuma de jabón, perfumes, etc.

#### End of Cycle Signal (avisador de fin de ciclo)

El avisador de fin de ciclo emitirá una señal sonora cuando se haya completado el ciclo. El avisador de fin de ciclo puede ser cancelado colocando el interruptor en la posición 'Off' (apagado).

## PASO 6

### Jale el disco de control para comenzar

Puede detener el funcionamiento de la lavadora en cualquier momento presionando el disco de control. Por lo tanto, es posible realizar un remojo sin agitación o acortar, evitar o repetir cualquier parte de un ciclo. El disco de control debe estar PRESIONADO (en la posición off, apagado) cuando cambie el ajuste.

## Nota

- No intente girar el disco de control hacia la izquierda, de lo contrario dañará el temporizador.



# Características especiales

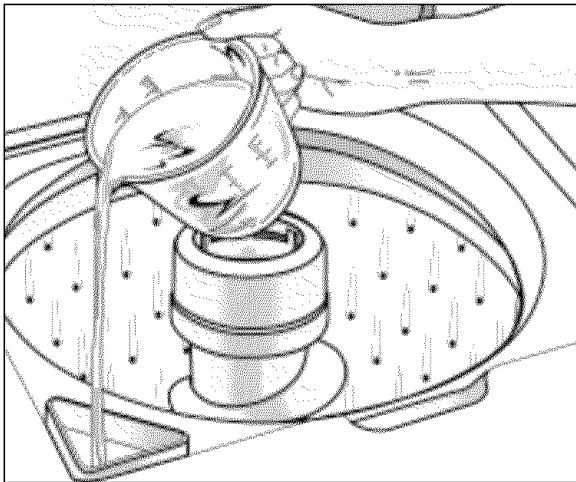
## Surtidor de blanqueador líquido

El surtidor diluye automáticamente el blanqueador de cloro líquido antes de que éste entre en contacto con la carga de ropa. Siga estos pasos para usar el surtidor:

1. Mida cuidadosamente el blanqueador de cloro líquido, siguiendo las instrucciones del envase.
2. Añada el blanqueador al surtidor antes de colocar la carga de ropa. Evite salpicar o llenar en exceso el surtidor.

### Nota

- Nunca vierta blanqueador de cloro líquido no diluido directamente sobre la carga de ropa ni en la tina de la lavadora. Es una sustancia química muy fuerte y si no se usa adecuadamente puede dañar las telas; por ejemplo, puede romperlas o decolorarlas.
- Si prefiere utilizar un blanqueador sin cloro que no decolore, viértalo en la tina de lavado junto con el detergente. No vierta blanqueadores sin cloro en el surtidor de blanqueador.



**Vierta el blanqueador de cloro líquido en el surtidor de blanqueador.**

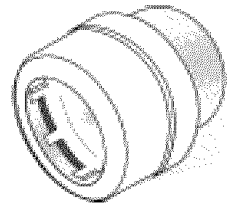
## Surtidor de líquidos

Este surtidor automáticamente descarga el suavizante líquido de telas en el momento propicio durante el ciclo. Siga estos pasos para usar el surtidor:

1. Vierta una cantidad medida del líquido deseado en la parte superior del surtidor, solamente hasta la línea de llenado.
2. Si el líquido no llega hasta esta línea, añada agua tibia.

Si es necesario limpiar el surtidor:

1. Retire el dispensador del agitador.
2. Remoje en el fregadero o en un recipiente en agua caliente y detergente de lavar platos durante una hora.
3. Coloque las manos sobre la parte superior e inferior del dispensador y agítelo para sacar la suciedad de los lados del dispensador.
4. Enjuague con agua caliente.
5. Repita el proceso si es necesario.
6. Reinstale el dispensador en el agitador.



No use detergente líquido de lavar platos dentro de la lavadora pues se puede formar mucha espuma.

## Finger Faucet (llave de agua) (modelos selectos)

Ofrece un chorro de agua cuando el interruptor está en la posición "On".





# Características especiales

## Sistema automático de filtrado de pelusa

*El sistema de filtrado de pelusa no requiere limpieza.*

El agua de lavado y enjuague se filtra repetida y continuamente para atrapar la pelusa que desprende la mayoría de las telas durante el ciclo de agitación, antes de que se vuelva a depositar en la ropa. El diseño de la canasta de lavado y el flujo de agua que produce el agitador, separan la pelusa de la ropa y la atrapan entre la canasta de lavado interna y la tina externa. Durante el ciclo de centrifugado, la pelusa sale automáticamente de la lavadora.

## Centrifugado de seguridad

Si por alguna razón levanta la tapa de la lavadora durante el período de centrifugado o de extracción, la lavadora dejará de funcionar inmediatamente. Esto es para su seguridad personal. Si su lavadora no deja de funcionar, llame inmediatamente a un técnico de servicio. Cuando baje la tapa la lavadora automáticamente comenzará a funcionar otra vez.

## Compensador de carga en caso de centrifugado no balanceado

Su nueva lavadora está diseñada para corregir cargas no balanceadas sin necesidad de apagar o interrumpir el ciclo de lavado.

Por esta razón siempre se completará el ciclo. Si en alguna ocasión las telas pesadas de una carga no balanceada contienen humedad excesiva al final del ciclo, redistribuya la ropa en la lavadora y reajuste el período de centrifugado final con el disco de control.

## Protector de carga excesiva

Un protector integrado automáticamente apaga el motor de la lavadora en caso de una carga excesiva. Esto puede ocurrir cuando:

- La carga que se está lavando es muy pesada.
- Demasiados electrodomésticos están conectados en la línea de la cual se alimenta su lavadora.
- Hay bajo voltaje en la línea eléctrica.
- Se levanta y baja repetidamente la tapa.

El protector de carga excesiva permite que la lavadora reanude su funcionamiento cuando el motor se enfría hasta alcanzar una temperatura de funcionamiento segura.

Si el motor se detiene repetidamente llame a su técnico de servicio.



# Cuidado y limpieza

1. Después de lavar la ropa deje la lavadora abierta hasta que se seque el interior.
2. Revise las mangueras para asegurarse de que no estén torcidas ni dobladas.
3. Cuando las temperaturas sean menores que el punto de congelación la lavadora no debe estar instalada ya que se podría dañar.
4. Ocasionalmente limpie el exterior de la lavadora con una esponja o paño limpio y húmedo. No use pulidor en las piezas de plástico.
5. En la fábrica se hace una lubricación que dura toda la vida útil de la lavadora, de manera que usted nunca necesitará aceitarla ni engrasarla.
6. No coloque objetos pesados ni de bordes agudos sobre la lavadora.
7. Nunca debe utilizar la superficie de la lavadora para quitar manchas de sus prendas. Algunos productos para quitar manchas, como por ejemplo los que se usan para manchas de óxido, dañarán el acabado.
8. Quite alfileres, hebillas u otros objetos de bordes agudos de la ropa para evitar raspar las partes internas de la lavadora.
9. No debe almacenar ropa en la lavadora.
10. Los blanqueadores, detergentes, solventes, etc. que se derraman y permanecen en la superficie de la lavadora dañarán su acabado brillante. Quite de la lavadora el material derramado con un paño suave y húmedo.
11. Si va a desocupar su casa durante el invierno, pida a un técnico de servicio que drene la lavadora. Desenchufe el cable eléctrico del tomacorriente y desconecte las mangueras de los grifos.

## Limpieza del interior

El interior de la lavadora debe ser limpiado periódicamente a fin de sacar cualquier suciedad, tierra, olor o residuos de bacterias que puedan quedar en la lavadora después que se lava la ropa. Recomendamos que se proceda de la siguiente manera cada 60 a 120 días para limpiar y refrescar el interior de la lavadora. La frecuencia de la limpieza de la lavadora depende de tales factores como el uso, la cantidad de suciedad, tierra o bacterias que pasen por su lavadora, o el uso de agua fría.

Para limpiar y refrescar el interior de la lavadora:

1. Agregue una cantidad medida de blanqueador de cloro en el distribuidor del blanqueador, siguiendo las instrucciones del envase.
2. Agregue 1/4 taza de detergente en la tina de la lavadora.
3. Haga funcionar la lavadora durante un ciclo completo usando agua caliente.
4. Repita el proceso si es necesario.



# Localización y solución de averías

Para las soluciones de problemas de lavado (es decir, daño de las telas, residuos, ropa enredada) y procedimientos especiales para cuidado de la ropa, vea el folleto adjunto "Sugerencias para el Lavado".

<b>La lavadora no se llena</b>	<ul style="list-style-type: none"> <li>• Enchufe el cordón en un tomacorriente eléctrico con corriente.</li> <li>• Verifique el fusible o reponga el disyuntor.</li> <li>• Gire la perilla de control al ciclo apropiado y tire de la perilla hacia afuera para poner en marcha la lavadora.</li> <li>• Abra ambas llaves completamente.</li> <li>• Enderece las mangueras de admisión.</li> <li>• Desconecte las mangueras y lave las mallas de los filtros. Los filtros de malla de la manguera pueden estar obstruidos.</li> </ul>
<b>La lavadora no agita</b>	<ul style="list-style-type: none"> <li>• Verifique el fusible o reponga el disyuntor.</li> <li>• Asegúrese de que la tapa esté bien cerrada.</li> <li>• Gire la perilla de control al ciclo apropiado y tire de la perilla hacia afuera para poner en marcha la lavadora.</li> <li>• Cierre la tapa y tire la perilla hacia afuera para poner en marcha la lavadora.</li> <li>• Las pausas son normales. Espere y vea si la lavadora vuelve a arrancar.</li> </ul>



# Localización y solución de averías

<b>La lavadora no centrifuga ni desagua</b>	<ul style="list-style-type: none"><li>• Verifique el fusible o reponga el disyuntor.</li><li>• Enderece las mangueras de desagüe. Elimine las mangueras torcidas. Si hay una restricción del desagüe, llame a reparaciones.</li><li>• Cierre la tapa y tire de la perilla hacia afuera para poner en marcha la lavadora. Para su seguridad, la lavadora ni centrifugará a menos que la tapa esté cerrada.</li><li>• Bloqueo por espuma – causado por exceso de espuma. Vuelva a lavar sin detergente. Use la cantidad correcta de un detergente que forme poca espuma.</li></ul>
<b>La ropa queda mojada</b>	<ul style="list-style-type: none"><li>• La ropa no está distribuida uniformemente. Vuelva a distribuir la ropa, cierre la tapa y tire de la perilla hacia afuera. Verifique si la lavadora está nivelada. Asegúrese de que el nivel del agua sea aceptable para el tamaño de la carga de ropa.</li><li>• Para las cargas pesadas, tales como vaqueros o toallas, se recomienda la velocidad de centrifugado normal.</li></ul>
<b>La lavadora se detiene</b>	<ul style="list-style-type: none"><li>• Enchufe el cordón en un tomacorriente eléctrico con corriente.</li><li>• Verifique el fusible o reponga el disyuntor.</li><li>• Gire la perilla de control al ciclo apropiado y tire de la perilla hacia afuera para poner en marcha la lavadora. Si está equipada con botones, asegúrese de que han sido completamente oprimidos.</li><li>• Cierre la tapa y tire de la perilla hacia afuera para poner en marcha la lavadora. Para su seguridad, la lavadora ni centrifugará a menos que la tapa esté cerrada.</li><li>• Puede que sea una pausa del ciclo. Espere brevemente y puede que continúe funcionando.</li></ul>
<b>Hay escape de agua</b>	<ul style="list-style-type: none"><li>• Asegúrese de que las conexiones de la manguera estén herméticas.</li><li>• Asegúrese de que el extremo de la manguera de desagüe esté correctamente insertado y asegurado en el receptáculo de desagüe.</li><li>• Evite el remojo prolongado – remoje durante 30 minutos o menos.</li><li>• Evite cargar demasiado la lavadora.</li></ul>
<b>La lavadora tiene ruido</b>	<ul style="list-style-type: none"><li>• Asegúrese de que lavadora esté debidamente nivelada como se describe en el manual de instalación.</li><li>• Los pisos débiles pueden causar vibración y movimiento.</li><li>• Los sonidos del funcionamiento variarán de acuerdo con la velocidad del centrifugado.</li></ul>
<b>La lavadora se llena pero con temperatura incorrecta del agua</b>	<ul style="list-style-type: none"><li>• Abra ambas llaves completamente.</li><li>• Si está equipada con una perilla selectora de temperatura, asegúrese de que esté colocada exactamente en el ajuste de temperatura y no entre dos ajustes.</li><li>• Asegúrese de que la selección de temperatura sea correcta.</li><li>• Si se selecciona Auto Temperature Control (Control de Temperatura Automática) (modelos selectos), el agua fría del grifo podría sentirse más tibia que fría.</li><li>• Asegúrese de que las mangueras estén conectadas a las llaves correctas y las conexiones de admisión. Asegúrese de que el suministro del agua esté regulado correctamente. Limpie la tubería del agua antes de llenar la lavadora. Deje correr agua dentro de la tubería del agua antes de llenar la lavadora.</li><li>• Verifique el calefactor del agua. Debe estar ajustado para entregar un mínimo de agua caliente a 120°F (49°C) en la llave. También verifique la capacidad del calefactor del agua y la velocidad de recuperación.</li><li>• Desconecte las mangueras y limpie las mallas de los filtros. Los filtros de malla de las mangueras pueden estar obstruidos.</li></ul>
<b>La perilla de control de ciclo avanza hasta “OFF” (apagado)</b>	<ul style="list-style-type: none"><li>• La opción Extra Rinse (modelos selectos) está seleccionada.</li></ul>

**Si desea recibir más asistencia comuníquese con Maytag Services<sup>SM</sup>, Departamento de Asistencia al Cliente de Maytag: 1-800-688-9900 en EE.UU.; o 1-800-688-2002 en Canadá.**



# Notas

---



# **Notas**

---

*Si desea recibir más asistencia comuníquese con Maytag Services<sup>SM</sup>, Departamento de Asistencia al Cliente de Maytag: 1-800-688-9900 en EE.UU.; o 1-800-688-2002 en Canadá.*



# Garantía y servicio

## Garantía de la lavadora

### Un año de garantía en partes y mano de obra

Durante un (1) año a partir de la fecha original de la compra, cualquier parte que falle durante el uso normal en su hogar se reparará o reemplazará sin costo alguno.

### Garantía limitada

Después del primer año a partir de la fecha de compra original al menudeo, o durante los períodos que se indican a continuación, las piezas designadas que fallen en el uso de cargas, incluyendo mano de obra, millaje/kilometraje, transporte, costos de viaje y costo del diagnóstico, si es necesario.

**Segundo año:** Todas las piezas.

**Del tercero al quinto año:** El motor impulsor. Todas las piezas de los controles de estado sólidos (si así está equipada).

**Del tercero al décimo año:** Todas las piezas del conjunto de la transmisión.

**Desde el tercer año hasta el fin de la vida útil:** La tina interior de lavar.

### Garantía limitada adicional contra oxidación:

Si el gabinete exterior, incluyendo la puerta, se oxidan durante el primer año a partir de la fecha de compra al por menor, se repararán o reemplazarán gratuitamente. Después del primer año y hasta el décimo año, la reparación y el reemplazo serán millaje/kilometraje, transporte, costos de viaje y costo del diagnóstico, si es necesario.

**Se ruega nota:** La garantía total y la garantía limitada aplican cuando el electrodoméstico se encuentre en Estados Unidos o en Canadá. Los electrodomésticos que se encuentren en otro lugar solamente están cubiertos por la garantía limitada, inclusive las piezas que fallen durante el primer dos años.

### Residentes de Canadá

Las garantías antes mencionadas sólo cubren los electrodomésticos instalados en Canadá certificados o listados por las agencias de pruebas apropiadas para cumplir con el National Standard of Canada (Norma Nacional de Canadá), a menos que el electrodoméstico se lleve a Canadá debido a un cambio de residencia desde los Estados Unidos hacia Canadá.

Las garantías específicas expresadas anteriormente son las ÚNICAS garantías que ofrece el fabricante. Estas garantías le otorgan derechos legales específicos y puede también tener otros derechos los cuales varían entre estados.

Guía de uso y cuidado, los manuales de servicio y los catálogos de piezas están disponibles en el Departamento de Asistencia al Cliente de Maytag Services<sup>SM</sup>.

## Estas garantías no cubren lo siguiente:

1. Condiciones y daños resultantes de cualquiera de las siguientes condiciones:
  - a. Instalación, entrega o mantenimiento inadecuados.
  - b. Cualquier reparación, modificación, alteración o ajuste no autorizado por el fabricante o por un técnico de servicio autorizado.
  - c. Uso inadecuado, abuso, accidentes o uso irrazonable.
  - d. Corriente, voltaje o suministro eléctrico incorrecto.
  - e. Ajuste incorrecto de uno de los controles.
2. Las garantías se anularán si los números de serie originales se quitan, alteran o no se pueden determinar fácilmente.
3. Productos comprados para uso comercial o industrial.
4. El costo del servicio o de las llamadas de servicio para:
  - a. Corregir errores de instalación.
  - b. Instruir al usuario sobre el uso correcto del producto.
  - c. Transportar el electrodoméstico al centro de servicio.
5. Daños resultantes o incidentales sufridos por una persona como resultado de la violación de alguna de estas garantías.

Algunos estados no permiten la exclusión ni la limitación de daños resultantes ni incidentales, de manera que es posible que no aplique la exclusión anterior.

## Para obtener el servicio de garantía

Para ubicar un centro de servicio autorizado en su área, comuníquese con el distribuidor con el cual compró el electrodoméstico; o llame al Departamento de Asistencia al Cliente de Maytag Services<sup>SM</sup>. Si no recibe un servicio de garantía satisfactorio, por favor llame o escriba a:

Maytag Services<sup>SM</sup>  
 Attn: CAIR<sup>®</sup> Center  
 P.O. Box 2370  
 Cleveland, TN 37320-2370  
**1-800-688-9900 EE.UU.**  
**1-800-688-2002 CANADÁ**

### Nota

- Cuando se comunique con el Departamento de Asistencia al Cliente de Maytag Services<sup>SM</sup> con relación a un problema de servicio, por favor incluya la siguiente información:
  - a. Su nombre, domicilio y número de teléfono;
  - b. El número de modelo y el número de serie (se encuentran en la parte posterior central del panel de control) de su electrodoméstico;
  - c. El nombre y la dirección de su distribuidor y la fecha de compra del electrodoméstico;
  - d. Una descripción clara del problema que experimenta;
  - e. Un comprobante de compra.

