

VEVOR[®]

TOUGH TOOLS, HALF PRICE

Technical Support and E-Warranty Certificate www.vevor.com/support

SINGLE PHASE INDUCTION MOTOR USR MANUAL

Model: DP120356L / DP123756 / DP120556S / DP120556HZ

We continue to be committed to provide you tools with competitive price. "Save Half", "Half Price" or any other similar expressions used by us only represents an estimate of savings you might benefit from buying certain tools with us compared to the major top brands and does not necessarily mean to cover all categories of tools offered by us. You are kindly reminded to verify carefully when you are placing an order with us if you are actually saving half in comparison with the top major brands.

VEVOR®

TOUGH TOOLS, HALF PRICE

Single Phase Induction Motor

Model: DP120356L / DP123756 / DP120556S / DP120556HZ



Please read these operating instructions carefully before starting to work.

NEED HELP? CONTACT US!

Have product questions? Need technical support? Please feel free to contact us:

 CustomerService@vevor.com

This is the original instruction, please read all manual instructions carefully before operating. VEVOR reserves clear interpretation of our user manual. The appearance of the product shall be subject to the product you received. Please forgive us that we won't inform you again if there are any technology or software updates on our product.

SAFETY WARNINGS AND PRECAUTIONS

1. Voltage, frequency and the wiring style should be consistent with the motor nameplate, power supply voltage should be maintained at plus or minus 5% of the rated operating range.
2. No more than 1000 meters above sea level.
3. Ambient air temperature not exceeding 45 °C.
4. The motor must have a good grounding device
5. Before option must measure 500-volt megohm table winding insulation resistance to ground, and its value should be more than 0.2 megohm, or to be dried.
6. Before starting pull action shaft, it should be flexible rotation, no friction and collisions, running should be smooth and lightly, without stagnation and the noise, if found the strange noise, overheating, burning smell, smoke or slow speed of the phenomenon, should immediately turn off power, shutdown inspection, repair it.
7. The surrounding environment should keep clean and dry and well ventilated.
8. When the motors are not allowed backward in the slow, not frequent start, Capacitor-running motors can not be long-term light-load use.
9. Bearing grease should be changed every six months, to fill the bearing chamber is about 60% of the gap is appropriate.
10. Check whether the motor fastening is fasten.
11. Check whether the turn is right, if don't, then in accordance with the following methods of grafting. (A. the introduction of three-phase line can be any swap 2. B. any swap the main section of single-phase winding circumstances leading to side can help.)
12. According to the rated motor power continuous operation, the heating part of the maximum permissible temperature rise shall not exceed the following requirements.
13. Winding Temperature: 75 °C Core: 75 °C Rolling: 55 °C.
14. This series of motors using environment and conditions: can be used in wet dusty place, but should always pay attention to cleaning and inspection to prevent the extended, dust, iron and other foreign body broken motor interior.
15. Motor routine maintenance:

Electrical outlet box part of the electrical contacts should be kept clean and good contacts, whether the motor air inlet plug, so as not to affect the motor life. Regular maintenance should be a half a year, check the motor remove dust and oil, grease and abrasion.

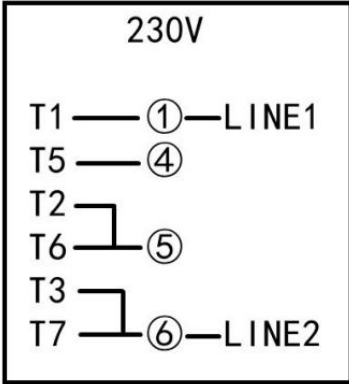
16. The motor running check:

When motor is operated it should always be paid attention to whether the load data in current with requirement, whether the bearing has phenomena of heat and leakage, if found abnormal or sound, should be stopped immediately for inspection. Until fault is identified, do not do Starting test.

TECHNICAL INFO:

Model No	DP120356L	DP123756	DP120556S	DP120556HZ
Horsepower	3HP	3.7HP	5HP SPL	5HP
Frame Size	56	56	56	56HZ
Rated Current	15.0 A	17.2 A	15.0 A	22.0 A
Shaft Length	1.88"	1.88"	1.88"	2.25"
Shaft Diameter	5/8" Keyed shaft	5/8" Keyed shaft	5/8" Keyed shaft	7/8" Keyed shaft
Rated Speed	3450 RPM			
Phase	One/ Single Phase			
Voltage	230V			
Frequency	60 Hz			
Rotation	CCW/CW			
Enclosure	ODP			
Insulation	F			
Service Factor	1			
Duty	Cont. S1			
Class of protection	IP23			
DES-AMB	40 °C			
Protection	Overload Protection with Manual Reset			

CONNECTION METHOD



A. Factory setting is the 230V voltage wiring method;

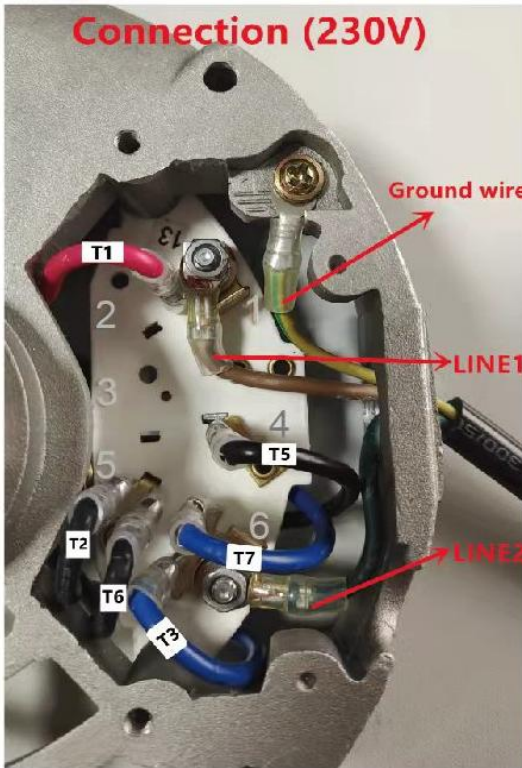
B. T1-T7 are the motor lead wires;

C. ①-⑥ represent the numbers on the terminal block;

D. Line 1 and Line 2, represent the power cable;

E. Changed from CCW to CW is the exchange of T2 and T3.

WIRING METHOD AS SHOWN



Connection(230V)

1) T1 connected with ① than connect with a power cable;

2) T5 connected with ④;

3) T2 and T6 connected with ⑤;

4) T3 and T7 connected with ⑥ than connect with a power cable;

COMMON PROBLEMS AND REMEDIES

Problem 1:

When you receive the motor, please check whether the front shaft of the motor can rotate. if you find that manual rotation is not possible.

Solution:

The concentricity of the motor may be damaged during transportation. You can hammer the shaft, front end cover and back end cover with a wooden hammer or a rubber hammer to adjust the concentricity. Until the shaft of the motor can be turned flexibly manually.

Problem 2:

The motor does not work when it is powered on.

Solution:

- 1) Please check the power supply to make sure the output voltage is correct.
- 2) Please check the wiring carefully to make sure it's the same as the wiring diagram.
- 3) Please press the red protector button, hear the clear "click" reset sound, then reconnect the power, start the motor.

Problem 3:

After the motor is powered on, it rotates slowly and cannot be started normally.

Solution:

- 1) Please check the power supply to make sure the output voltage is correct.
- 2) Please check the wiring carefully to make sure it's the same as the wiring diagram.
- 3) Check the capacitance of the motor to ensure that the capacitance is in good condition.

Problem 4:

After running for a period of time, the motor heats up and stops working.

Solution:

Motor overloaded running, protector function. After half an hour of cooling, press the red protector button to reset and try again.

VEVOR[®]

TOUGH TOOLS, HALF PRICE

Technical Support and E-Warranty Certificate

www.vevor.com/support

Made In China