

# C640

## Installation Instructions

### Adjustable Blower Rack

for Landscape Trailers

#### Before You Begin Installing:

1. Read and understand these instructions completely.
2. Verify that you have received all the parts listed in the bill of materials for your model number.

#### CAUTION

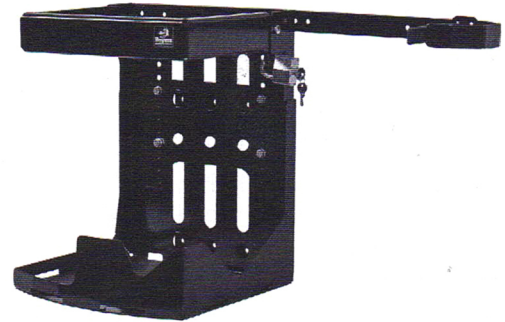
Always wear safety glasses when using power tools.

#### Fitting The Adjustable Blower Rack To Your Backpack Blower

##### Tools Required:

- (1) 9/16" Wrench and/or Socket
- (2) 1/2" Wrenches and/or Sockets

1. Place base pad (item 4) in the bottom of the blower rack base (item 1). Do not fasten pad until the end of the installation process.
2. Assemble the pad lock (item 6) to thru the three holes in the latch assembly (item 2) locking the latch in the lower position (90 degrees to latch base).
3. Place your backpack blower in the base on top of the pad with the backpack straps towards the vertical wall of the base.
4. Place the locked latch assembly over the backpack blower with the latch base nested inside the vertical wall of the base. Slide the latch assembly down until it is resting on the blower housing. Note which latch holes line up with the welded nuts in the base. If necessary, use the next lower hole. Make sure the latch will be no more than one inch above the blower housing.
5. Remove latch assembly and backpack blower from the base. Fasten the latch assembly to the base using four 3/8" screws (item 8) and four lock washers (item 9) in the holes determined in step 4.
6. Unlock the latch and place the backpack blower back into the rack and lower the latch to verify the space between the latch and blower housing is no larger than one inch.
7. Assemble the rubber strap (item 7) into the tube holder hook (item 3). For 4-5" diameter tubes use the slot further from the bottom of the hook. For tubes smaller than 4" diameter use the slot closer to the bottom of the hook.
8. Strap tube hook to the backpack blower's tube and align the holes in the end of the hook with the two holes in the upper corner of the latch assembly base. Determine the preferred position and fasten the hook to the latch assembly using two 5/16" screws (item 10) and lock nuts (item 11). *Note: for enclosed trailers the blower tube hook may be independently mounted to change the angle of the blower tube due to height and space restrictions.*



#### Utility Trailer Installation Instructions

##### Tools Required:

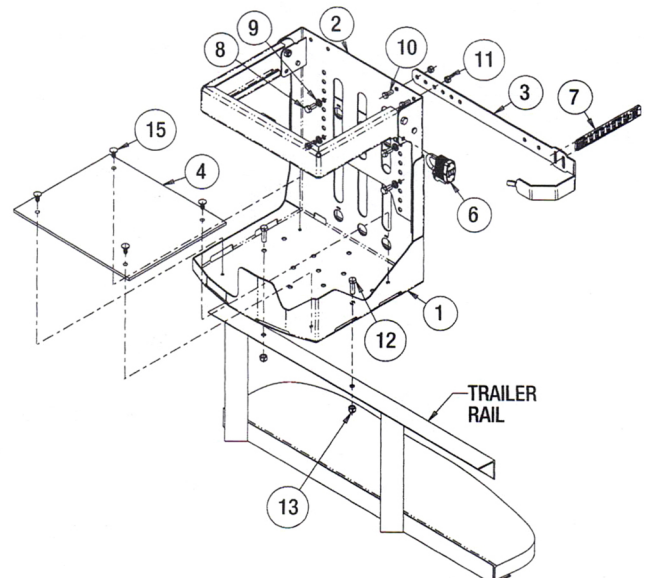
- (2) 9/16" Wrenches and/or Sockets
- (1) Electric Drill
- (1) 13/32" Drill Bit

1. Place the assembled backpack blower rack on the rail or fender of your utility trailer where you would like it mounted. Make sure the rack does not extend past the widest part of the trailer.
2. With the base pad removed mark the position of two holes on the trailer rail or on the fender. Make sure the marks made on the trailer rail are centered in the angle's web.

#### WARNING

Check for locations of brake lines and electrical wiring etc., before drilling any holes. Any damage to trailer during installation is installer's full responsibility.

3. Drill 13/32" holes in the positions marked.
4. Bolt the backpack rack to the trailer with two 3/8-16 x 1-1/4 screws (item 12) and nuts (item 13) supplied and tighten
5. Install base pad (item 4) to the bottom of the rack using at least two of the press-in panel retainers (item 15).



# C640

## Enclosed Trailer Installation Instructions

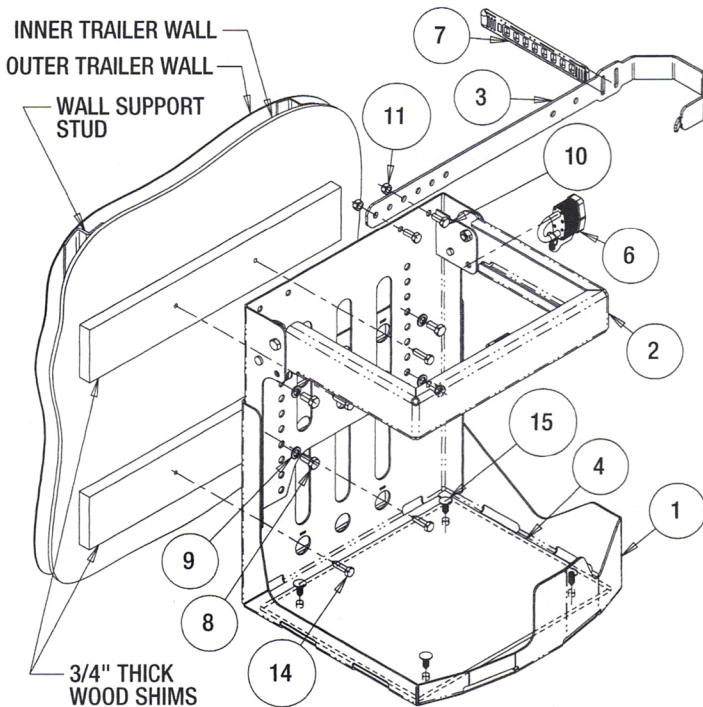
### Tools Required:

- 1/2" Socket & Ratchet
- Electric Drill
- 7/32" Drill Bits
- 3/4" Thick Wood Shim Strips
- Shim Screws (installer supplied)

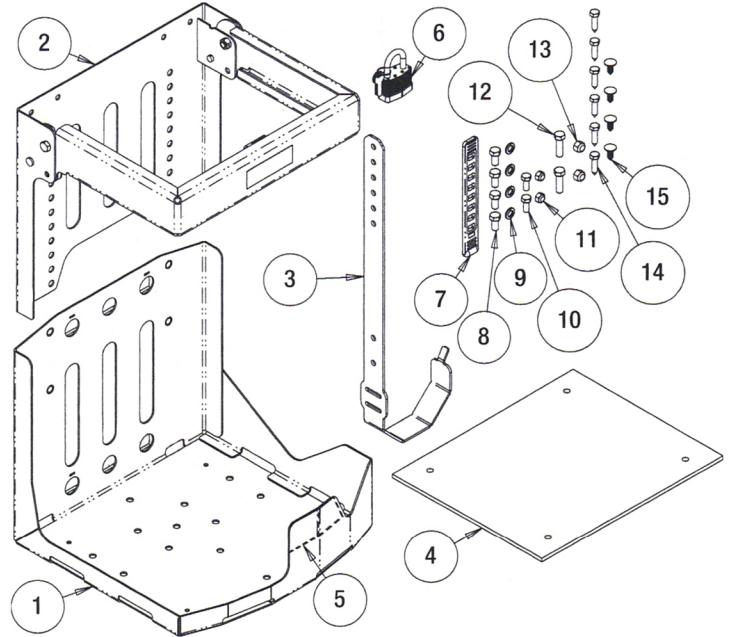
### ⚠ WARNING

Check for locations of brake lines and electrical wiring etc., before drilling any holes. Any damage to trailer during installation is installer's full responsibility.

1. In order to mount the backpack blower rack to the wall of an enclosed trailer, you must first add 3/4" thick wood shim strips. These shim strips must be securely attached to at least two wall support studs with suitable fasteners. If you don't know what kind or length of fastener to use contact your trailer dealer or manufacturer for their recommendation.
2. Place the blower rack against the shims, hold level, and mark the position of four 5/16" mounting holes in rack.
3. Drill four 7/32" holes in the locations marked in step 3. Be extremely careful not to drill through the outside trailer wall.
4. Fasten the rack to the trailer wall with four 5/16" lag screws (item 14) supplied.
5. Install base pad (item 4) to the bottom of the rack using four press-in panel retainers (item 15).
6. The tube hook (item 3) may be removed from the backpack blower rack and mounted independently to position the blower tube at an angle. If the hook is mounted independently, use an additional shim board and two 5/16" lag screws (item 14) supplied.



## Bill of Materials



ITEM	PART NO.	QTY.	DESCRIPTION
1	3045318	1	BASE WELDMENT, BLOWER RACK
2	3045321	1	LATCH ASSEMBLY, BLOWER RACK
3	3045327	1	HOOK, TUBE HOLDER
4	3045329	1	PAD, BASE, BLOWER RACK
5	3045877	1	PAD, ADHESIVE RUBBER
6	11005	1	PAD LOCK, 2" W/ KEYS
7-15	3045330	1	HARDWARE BAG, LT24 BLOWER RACK
7	3004995	1	STRAP, RUBBER
8	FCS038016075	4	SCREW, HEX HEAD CAP, 3/8-16 X 3/4, ZN
9	FWL039069009	4	WASHER, LOCK, 3/8, ZN
10	9240113	2	SCREW, HEX HEAD CAP, 5/16-18 X 3/4, ZN
11	FNE031018034	2	NUT, NYLOCK, 5/16-18, ZN
12	FCS038016125	2	SCREW, HEX HEAD CAP, 3/8-16 X 1-1/4, ZN
13	FNE038016044	2	NUT, NYLOCK, 3/8-16, ZN
14	3004505	6	SCREW, HEX HEAD LAG, 5/16 X 1-1/4, ZN
15	3045331	4	RETAINER, PANEL