



LASFIT®

THE SAFE & STYLISH AUTO LED LIGHTING

PRODUCT MANUAL



CATALOGUE

- I Important Notice
- II Installation Guide
- III Fit Size
- IV CK and Standard Socket
- V Product Specification



Important Notice

Package Contents:

2 pcs LASFIT LED Kits.

Please Note:

- 1) For safety consideration, please disconnect the power from your vehicle battery before installation.
- 2) The 3156, 3157, 4257, 7440, 7443 LED bulbs are polarity sensitive. If the LED does not light up after inserting, simply remove it, flip the direction and reinstall.
- 3) The Canbus Ready Red/Amber 3157, 7443, 1157 don't work for the vehicles that use one bulb for **Brake light, Tail light and Rear Turn Signal**, such as GMC Sierra, Chevrolet Colorado, Chevrolet Silverado, Nissan Titan, Ford F series, Dodge Ram, or other pickup/lorry/truck rear turn signal, they will hyper flash.

II Installation Guide

Universal Installation Steps (for reference only) 3156, 3157, 7440, 7443, 1156, 1157, BAU15S



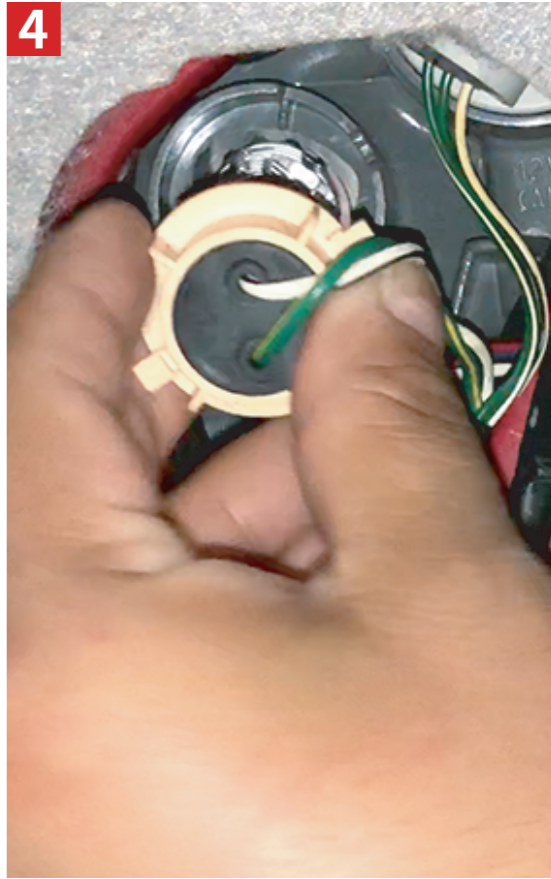
Remove the original bulb



Connect the LED Bulb



Test If the LED Bulb Light Up



Secure the Bulb

Step 1

Removing the Original Bulbs

- 1) Open the hood of the vehicle and find the installation location of the halogen bulb
- 2) Disconnect the power plug
- 3) Take out the halogen bulb from the bulb housing directly

Step 2

Plug In and Test(Important and necessary)

1) DO NOT complete the installation, just simply connect the power plug, and place the LED bulb in a safe area, then activate it.

Possible results:

A: If the LASFIT LED Kits light up, proceed to "step 3".

B: No light (3156, 3157, 4257, 7440, 7443 etc.) Disconnect the bulbs from your vehicle plug, flip over the plug to reverse the positive and negative, and reconnect.

Step 3

Complete installation

After successfully testing each LED bulb, swirl them into the housing and secure by rotating into place or reapplying the secure latch.

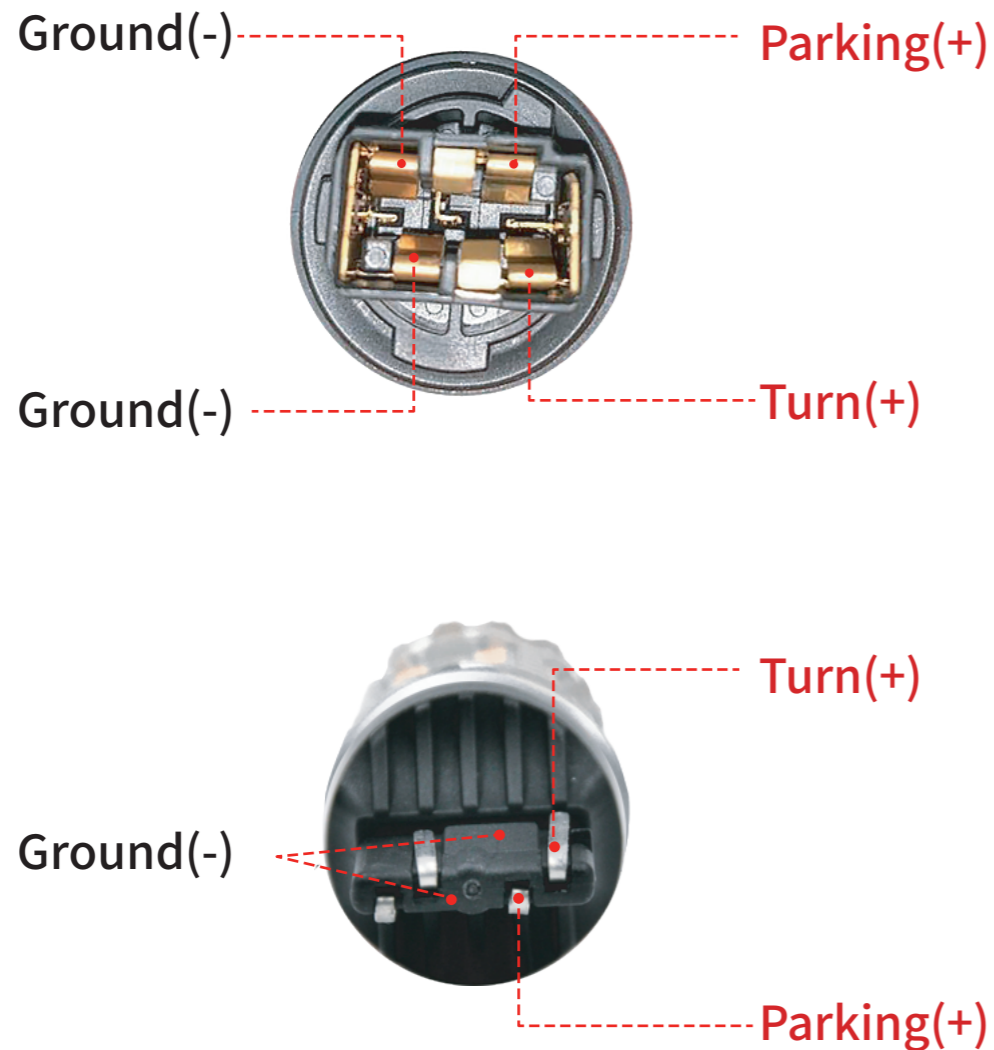


3157	3056, 3456, 4156, 3057A, 3357NA, 3047, 3057, 3155, 3357, 3454, 3457, 4057, 4157, 3757
7443	7444, 7441, 992, 992A, W21W, 7440A, 7440AL, 7440NA, 7440LL, 7440ST, 7441, W21W, WY21W
7440	7440A, 7440AL, 7440NA, 7440LL, 7440ST, 7441, W21W, WY21W
BAU5S	7507, PY21W, 1156PY, 12496
1156	BA15S, 1073, 1093, 1129, 1141, 1159, 1259, 1459, 1619, 1651, 1680, 5007, 5008, 7506, 7527
1157	BAY15D, 7528, 2057, 2357, 3496, 1157A, 1016, 1034, 1076, 1130, 1152, 1154, 1158, 1493, 2057, 2357, 2396, 2397, 3496, 3497, 7528, 12499, 12594, P21/5W

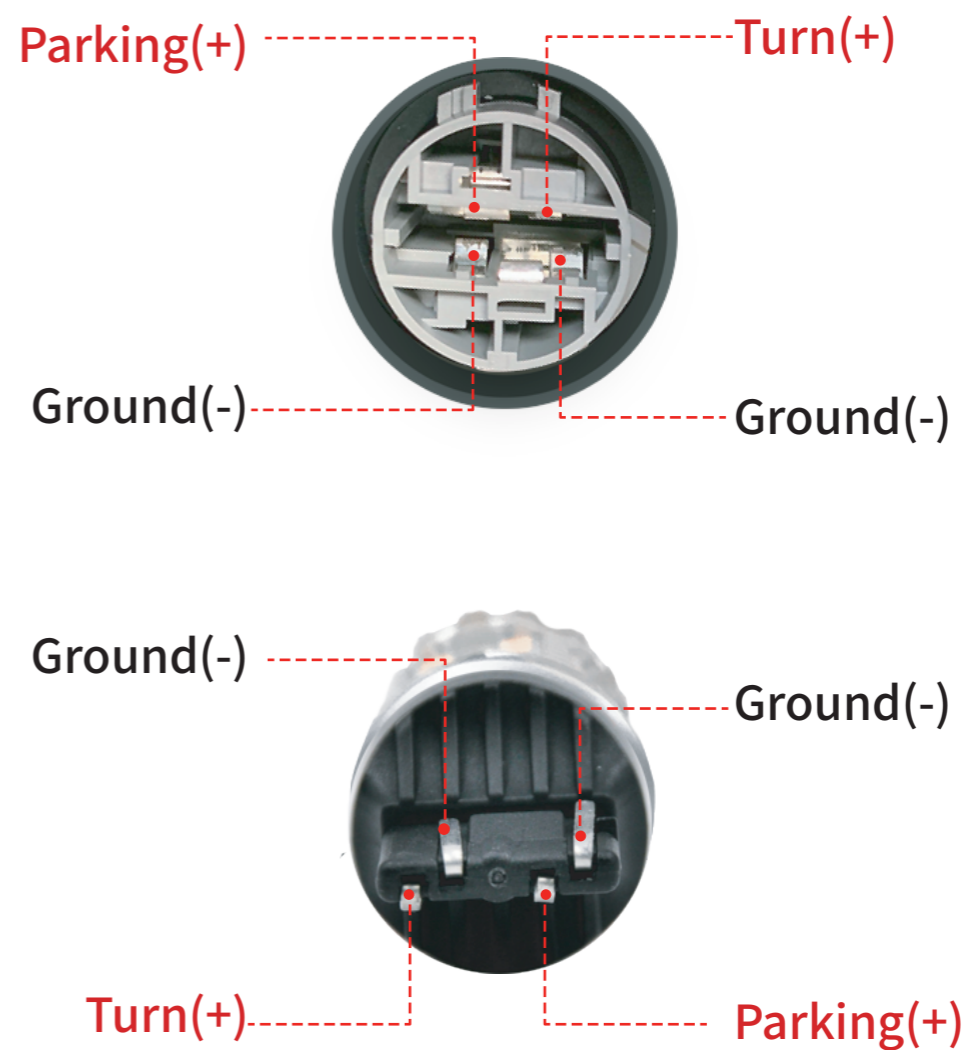
IV CK and Standard Socket

The canbus ready 7443 bulbs have CK and Non-CK circuits when replace the front turn signal, some vehicles may require CK specific sockets. If you are not sure, please feel free to contact us via message.

Standard 7443 Socket

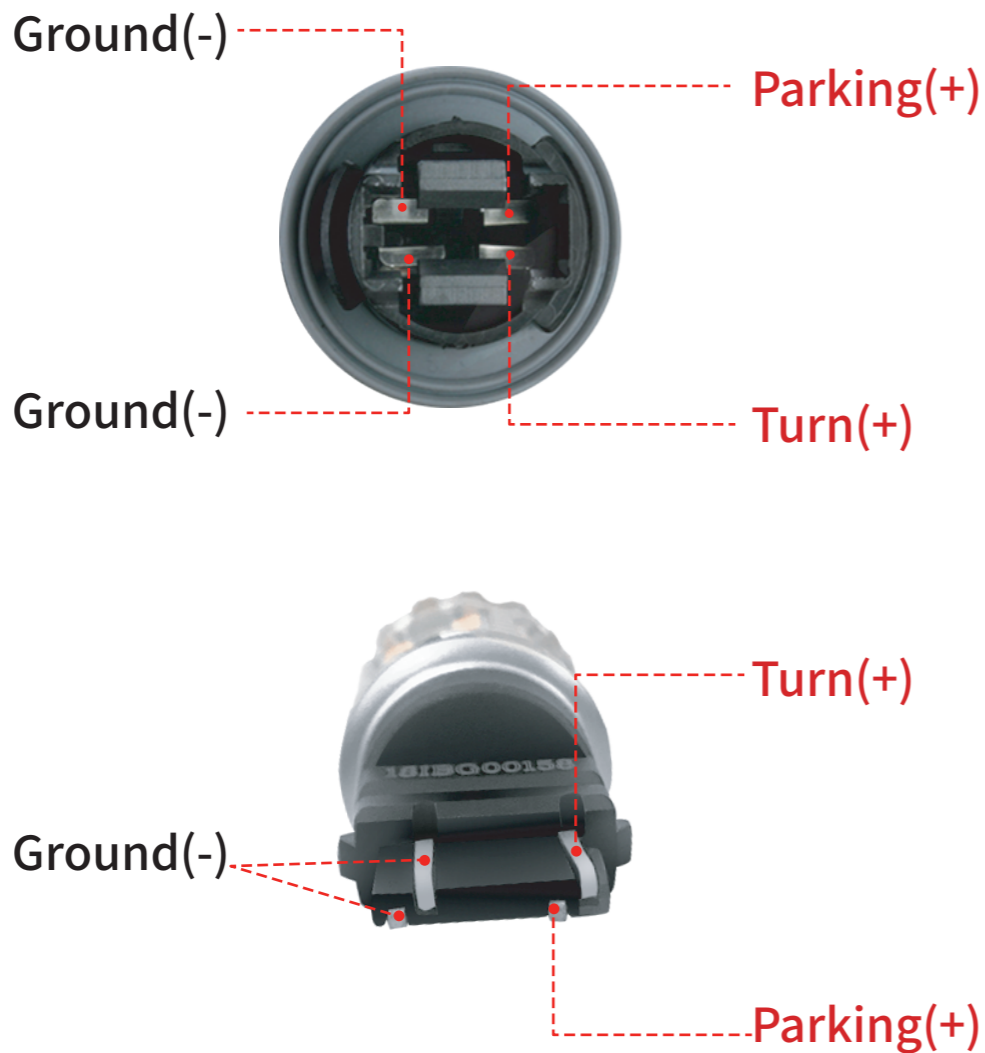


CK Wiring 7443 Socket

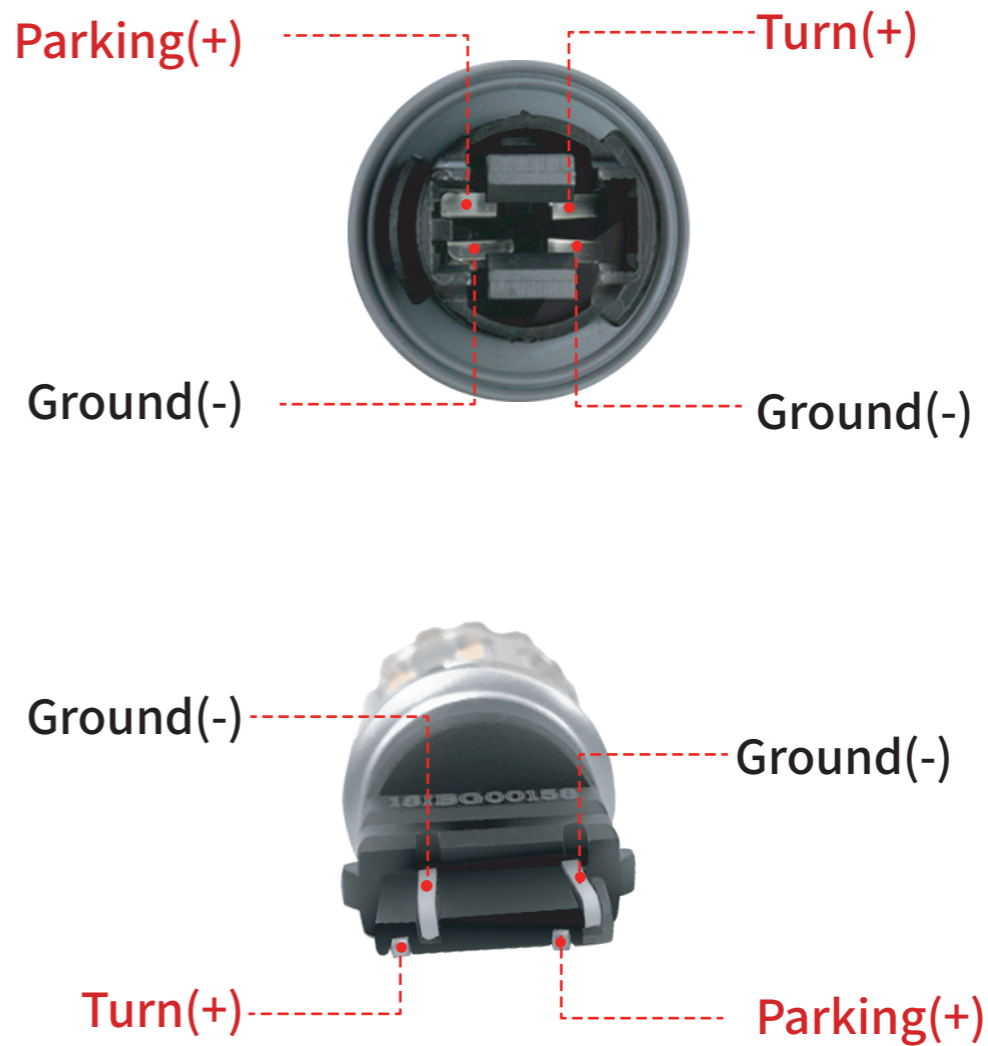


The canbus ready 3157 bulbs have CK and Non-CK circuits when replace the front turn signal, some vehicles may require CK specific sockets. If you are not sure, please feel free to contact us via message.





Standard 3157 Socket







CK Wiring 3157 Socket





V Product Specification

	T-7440A	T-7443D/T-7443D-CK	T-3157D/T-3157D-CK	T-7443A/T-7443A-CK
				
Luminous Flux	2400LM/bulb(max)	2400LM/bulb(max)	2600LM/bulb(max)	2600LM/bulb(max)
Input Wattage	24W/bulb(max)	24W/bulb(max)	28W/bulb(max)	28W/bulb(max)
Canbus Ready	YES	YES	YES	YES
Color	Amber	Switchback (Amber/White)	Switchback (Amber/White)	Switchback (Amber/White)
Light Source	24pcs SMD 3030 LED Chips	32pcs SMD 3030 LED Chips	40pcs SMD 3030 LED Chips	32pcs SMD 3030 LED Chips
Lifespan	≥30000	≥30000	≥30000	≥30000
Warranty	1 Year	1 Year	1 Year	1 Year

	T-3157A/T-3157A-CK	T-7443R	T-3157R	T-1157R
				
Luminous Flux	2600LM/bulb(max)	700LM/bulb(max)	700LM/bulb(max)	700LM/bulb(max)
Input Wattage	28W/bulb(max)	15W/bulb(max)	15W/bulb(max)	15W/bulb(max)
Canbus Ready	YES	YES	YES	YES
Color	Amber	Red	Red	Red
Light Source	40pcs SMD 3030 LED Chips	24pcs SMD 3030 LED Chips	30pcs SMD 3030 LED Chips	30pcs SMD 3030 LED Chips
Lifespan	≥30000	≥30000	≥30000	≥30000
Warranty	1 Year	1 Year	1 Year	1 Year

	T-1157A	T-1157D	T-1156A	T-3156A
				
Luminous Flux	2600LM/bulb(max)	2600LM/bulb(max)	2600LM/bulb(max)	2600LM/bulb(max)
Input Wattage	28W/bulb(max)	28W/bulb(max)	28W/bulb(max)	28W/bulb(max)
Canbus Ready	YES	YES	YES	YES
Color	Amber	Switchback (Amber/White)	Amber	Amber
Light Source	40pcs SMD 3030 LED Chips	40pcs SMD 3030 LED Chips	30pcs SMD 3030 LED Chips	30pcs SMD 3030 LED Chips
Lifespan	≥30000	≥30000	≥30000	≥30000
Warranty	1 Year	1 Year	1 Year	1 Year

	T-4257D/T-4257D-CK	T-4257A	T-WT21W	T-BAU15S-A
				
Luminous Flux	1600LM/bulb(max)	1600LM/bulb(max)	1600LM/bulb(max)	2600LM/bulb(max)
Input Wattage	24W/bulb(max)	24W/bulb(max)	15W/bulb(max)	28W/bulb(max)
Canbus Ready	YES	YES	YES	YES
Color	Switchback (Amber/White)	Amber	Amber	Amber
Light Source	32pcs SMD 3030 LED Chips	32pcs SMD 3030 LED Chips	24pcs SMD 3030 LED Chips	30pcs SMD 3030 LED Chips
Lifespan	≥30000	≥30000	≥30000	≥30000
Warranty	1 Year	1 Year	1 Year	1 Year

	T-PW24W-A	T-WT21W-R
		
Luminous Flux	1000LM/bulb(max)	700LM/bulb(max)
Input Wattage	13W/bulb(max)	15W/bulb(max)
Canbus Ready	YES	YES
Color	Amber	Red
Light Source	16pcs SMD 3030 LED Chips	24pcs SMD 3030 LED Chips
Lifespan	≥30000	≥30000
Warranty	1 Year	1 Year

If you meet any issue, contact us firstly via message with your vehicle make/model/year.
 Now Enjoy Safe & Stylish Driving with LASFIT Auto LED Lighting!



THE SAFE & STYLISH AUTO LED LIGHTING



45 Days Money-Back
Return/Exchange



1 Year Hassle Free
Warranty



Free
Shipping



Customer Support Team
in Rancho Cucamonga, California

Email: cs@lasfit.com

Call: (909) 758-7900

Office Hours: Monday -~Friday 9:00 am-5:30 pm (PST)