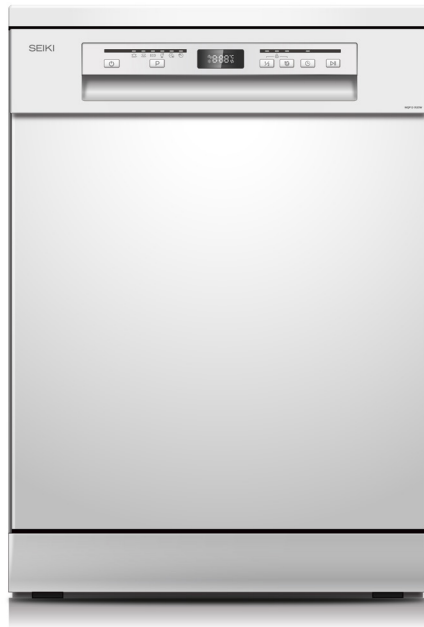


# SEIKI™

## 15

# PLACE SETTINGS WHITE DISHWASHER

SC-1500AU9DW



# INSTRUCTION MANUAL

Please read this manual carefully before using, and keep it for future reference.



# CONTENTS

|                                   |    |
|-----------------------------------|----|
| General Safety                    | 4  |
| Product Overview                  | 8  |
| Getting Started                   | 11 |
| Installation Area                 | 12 |
| Positioning the Appliance         | 13 |
| Water Connection                  | 14 |
| How to Connect Safety Supply Hose | 14 |
| Drain Hose Connection             | 15 |
| Water Outlet and Drain Connection | 15 |
| Electrical Connection             | 16 |
| Starting a Wash Program           | 17 |
| Instructions                      |    |
| Loading the Dishwasher Guide      | 18 |
| Loading the Upper Basket          | 19 |
| Adjusting the Upper Basket        | 20 |
| Loading the Lower Basket          | 21 |
| Cutlery Basket                    | 22 |
| Detergents                        | 23 |
| Adding Detergents                 | 24 |
| Rinse Aid Dispenser               | 25 |
| Starting the Dishwasher           | 27 |
| FAQs                              | 28 |
| Useful Information                | 29 |
| Error Codes                       | 31 |
| Specifications                    | 32 |
| Customer Helpline                 | 36 |

# GENERAL SAFETY

## IMPORTANT INFORMATION

Read this manual thoroughly before you start using the Dishwasher.

The safety precautions instructions reduces the risk of fire, electric shock and injury when correctly complied to.

Please follow all instructions and take notice of all warnings.

Pay close attention to messages that follow this safety alert symbol or the words **DANGER, WARNING** or **CAUTION**. These words will be used to alert you of potential hazards that and injure you and others. Following these instruction will tell you how to reduce the chance of injury and the possible dangers if instructions aren't followed.

### ELECTRICAL SAFETY

- **Voltage:** Plug the appliance to a 220-240V, 50Hz, properly earthed power outlet, it must be in good working order.
- **Power connection:** Do not use an adaptor or an extension cord.  
Plug the power plug directly into a separate power point that cannot be accidentally turned off, and that is easily accessible so you can switch it off if needed.
- **Power cord:** Do not kink or damage the power supply cord. Make sure it is behind the appliance so no one can step on or place anything on the power supply cord or against it. A damaged power plug may overheat and cause a fire.
- **Damaged cord:** Do not use a cord that shows cracks or damage. Any damage to the cord may cause a short circuit, fire and/or electric shock.  
Contact our support centre on [info@ayonz.com](mailto:info@ayonz.com) for advice
- **Disconnection:** Never pull the power cord to unplug appliance. Grip the plug and pull straight out from the power point.
- **Electrical work:** If the installation of this appliance requires any electrical work, make sure it is carried out by an electrician.

# GENERAL SAFETY INSTRUCTIONS (Cont.)

To reduce risk of fire, electric shock or injury, always follow these basic precautions and accident prevention measures when using this appliance, including the below:

**NOTE:** This appliance should be installed by an authorised technician else warranty will be void.

## INSTALLATION

- The product is heavy, be careful when moving it. To avoid back or other injury, have 2 people lift or mechanical aid when installing.
- When unboxing, thoroughly inspect the appliance carefully for any damage. If there is any damage, do not install the appliance. Contact our support centre on [info@ayonz.com](mailto:info@ayonz.com) for advice.
- While installing the appliance make sure that the power cord is not bent or flattened.
- Be sure to only use new hose sets when connecting the dishwasher. Do not re-use old hoses.
- Install dishwasher on a flat level and stable ground. Please avoid placing appliance on top of carpet.

# GENERAL SAFETY INSTRUCTIONS (Cont.)

## USAGE CONDITIONS AND RESTRICTIONS

- Supervision over children is to ensure that they do not play with the appliance. Never allow them to use, play with or crawl inside the appliance. Cleaning and maintenance must not be done by children.
- This appliance is not to be used by persons (including children) with reduced physical, sensory or mental capabilities, or lack of experience and knowledge, unless they are being supervised or been given instructions on how to use of the appliance in a safe way and understand the hazards with using this appliance incorrectly.
- Only for indoor domestic use only, such as in households, kitchen areas in shops, offices and in other working environments, use by clients in hotels, motels, bed and breakfast establishments and in catering and similar non-retail applications. It is not to be used for industrial or commercial use.
- Do not use this product for anything other than its intended purpose, and only use it as described in this manual. Do not attempt to alter or modify this appliance.
- Do not sit or stand on the door or racks of the dishwasher, or use it other than its intended purpose.
- If heating element of the dishwasher is exposed, please do not touch it during or immediately after use.
- Open the door carefully if the dishwasher is in use, there is a chance of water escaping.
- Do not overload the dishwasher, it has a maximum of 15 place settings.
- To make sure the dishwasher is safely operated please follow the below rules:
  - Place sharp items so they are not able to damage the door seal.
  - **WARNING:** Knives and other utensils with sharp points must be loaded in the basket with their points facing down or in a horizontal position.
  - Place plastic items so they do not come into contact with heating element. (only wash plastic items that are dishwasher safe).
  - Do not obstruct any ventilation openings with carpet.
- Be sure to only use detergent and rinse additives that are only to be used with automatic dishwashers and keep them out of reach of children.  
**Note:** Do not use liquid detergent, soap or laundry detergent in this dishwasher.
- Incorrect use can result in property damage, injury or death. We assume no liability for misuse of the appliance or noncompliance with these instructions.
- The door should not be left in the open position since this could present a tripping hazard;

# GENERAL SAFETY INSTRUCTIONS (Cont.)

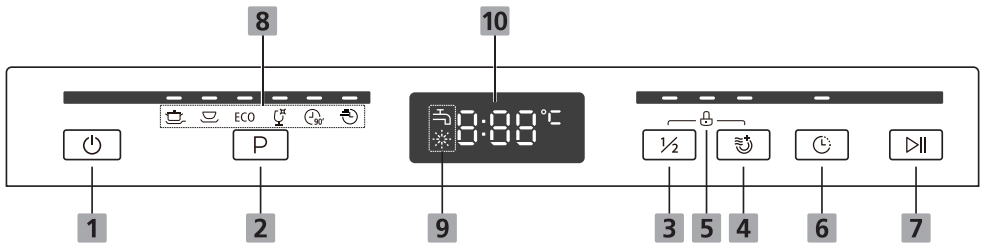
- This appliance is intended to be used in household and similar applications such as:
  - Staff kitchen areas in shops, offices and other working environments;
  - By clients in hotels, motels and other residential type environments;
  - Bed and breakfast type environments.
  - Farm Houses.

## **CLEANING AND MAINTENANCE**

- **Service:** Never try to repair, modify or replace any part of the appliance, unless this manual says you can do so. All other servicing is to be done by a qualified technician, or contact our support centre on [info@ayonz.com](mailto:info@ayonz.com) for advice.

# PRODUCT OVERVIEW

## CONTROL PANEL



- 1. Power** Press this button to turn on your dishwasher, the screen lights up.
- 2. Program** Select your desired washing program, the selected program indicator will be lit.
- 3. Half Load** When you have half filled dishwasher of kitchen utensils, press this half load button to save energy and water. Can only be used with Intensive, Normal, ECO and 90 Mins.
- 4. Extra Drying** When you have about or less than 6 place setting dishware to wash, you can choose this function to save energy and water. (it can only be used with Intensive, Normal, ECO, Glass and 90 min).
- 5. Child Lock** This option allows you to lock the buttons on the control panel - except the Power button - so children cannot accidentally start the dishwasher. To lock or unlock the buttons on the control panel, press and hold the Program button + Half load button for 3 seconds simultaneously.
- 6. Delay** Press this button to set the delayed hours for washing. You can delay the start of washing up to 24 hours. One press on this button delays the start of washing by one hour.
- 7. Start/Pause** To start the selected program or pause it when the dishwasher is in use.

# PRODUCT OVERVIEW (Cont.)

8. Program Indicator



## **Intensive**

For heaviest soiled crockery, such as pots, pans, casserole dishes and dishes that have been sitting with dried food on them for a while.



## **Heavy**

For heavily soiled loads, such as pots, plates, glasses and lightly soiled pans. standard daily cycle.

## **ECO**

For normally soiled loads, such as pots, plates, glasses and lightly soiled pans, standard daily cycle.



## **Glass**

For lightly soiled crockery and glass.



## **90 Min**

For heavily soiled loads and pans that need quick wash.




## **Rapid**

A short wash for lightly soiled loads that do not need drying.

9. Warming Indicator



## **RINSE AID**

If the “” indicator is lit, it means the dishwasher is low on dishwasher rinse aid and requires a refill.



## **PROGRAM END**

When the program has ended, this indicator will be lit.



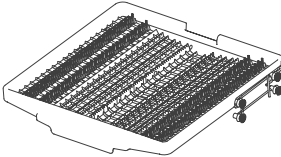
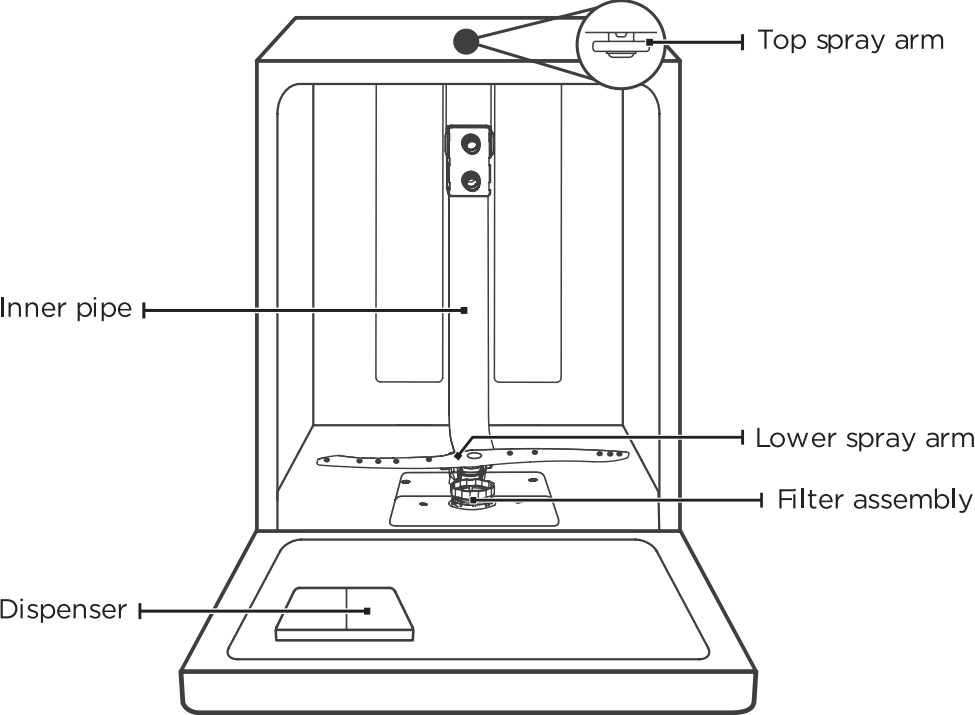
## **WATER FAUCET**

If the “” indicator is lit, it means the water faucet is closed.

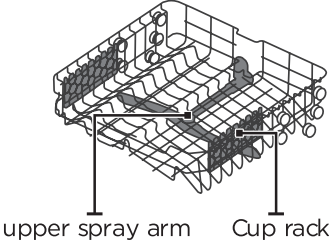
10. Screen

To show the remaining time, delay stime, error code, etc..

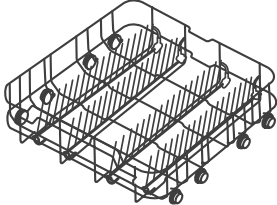
# PRODUCT OVERVIEW (Cont.)



Cutlery rack



Upper basket

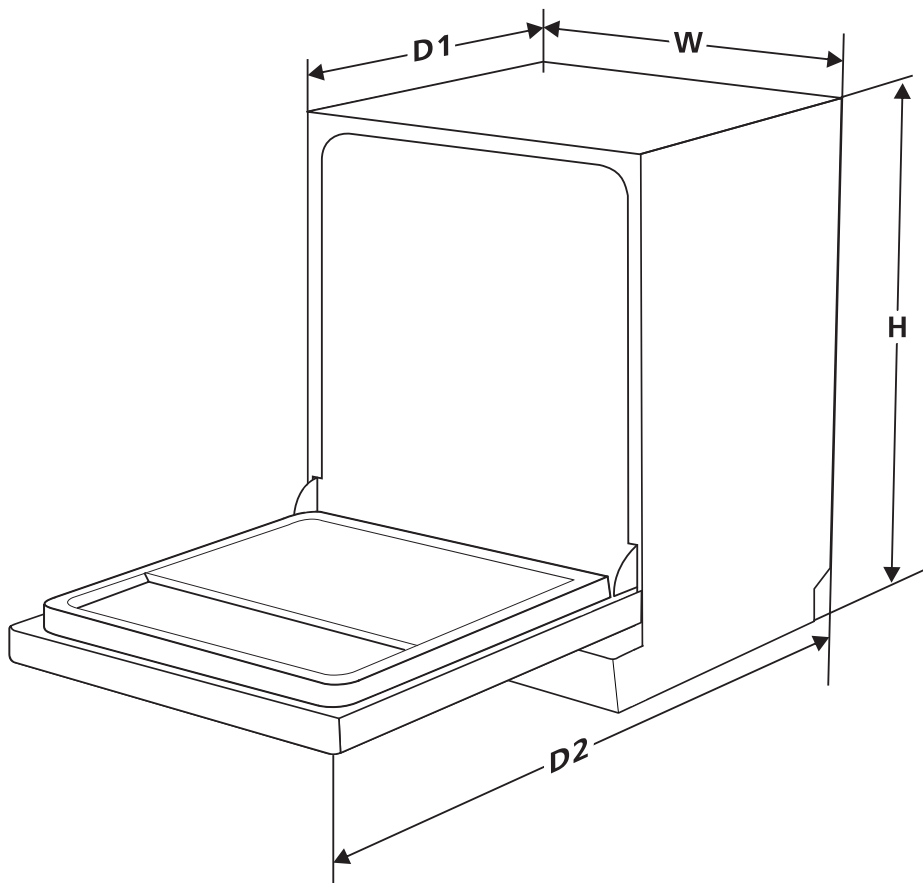


Lower basket

# GETTING STARTED

Before installing your appliance, read all safety instructions in this manual, especially the sections on electrical safety and installation.

The minimum measurements needed for this dishwasher installation are as below:



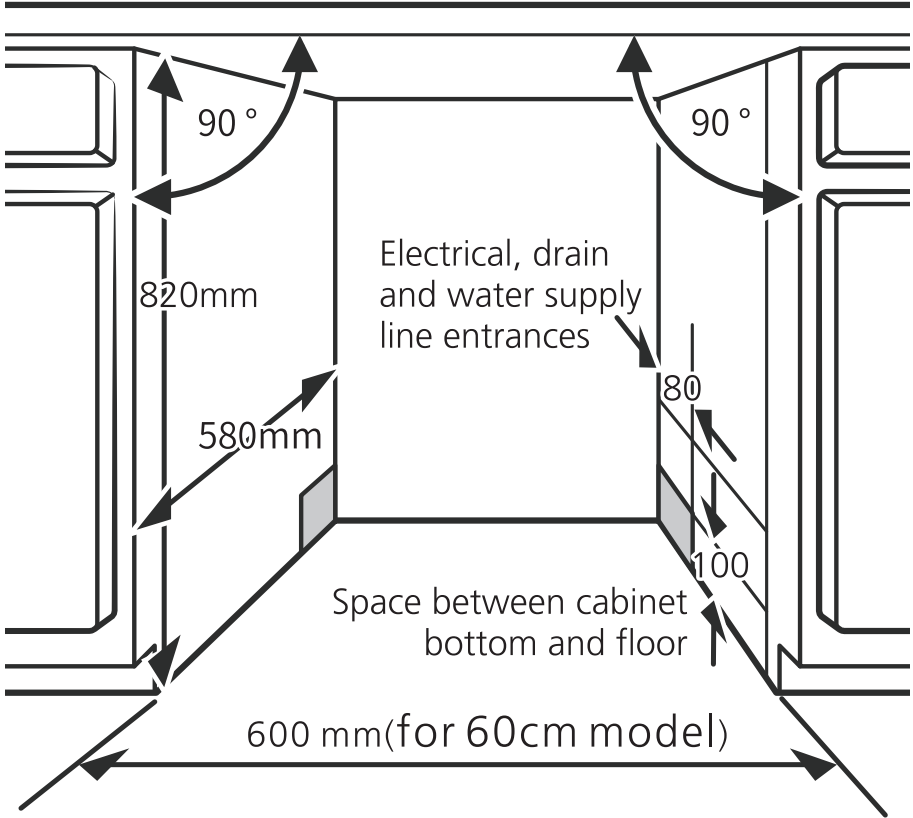
|                   |                                    |
|-------------------|------------------------------------|
| <b>Height (H)</b> | 845mm                              |
| <b>Width (W)</b>  | 598mm                              |
| <b>Depth (D1)</b> | 600mm (with the door closed)       |
| <b>Depth (D2)</b> | 1175mm (with the door opened 90° ) |

# GETTING STARTED (Cont.)

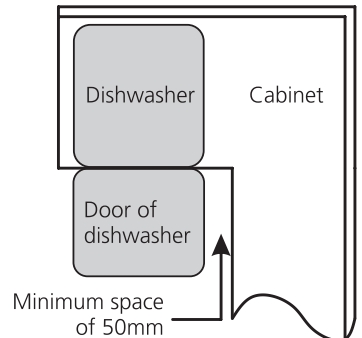
## INSTALLATION AREA

This installation position of the dishwasher should be near existing water inlet, drain hoses and power outlet.

- Less than 5mm between the top of the dishwasher and cabinet and the outer door aligned to the cabinet.



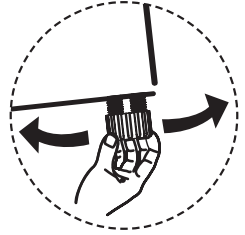
- If dishwasher is installed in corner of the cabinet, make sure to allow minimum of 50mm space between opened door and cabinet.



# GETTING STARTED (Cont.)

## POSITIONING THE APPLIANCE

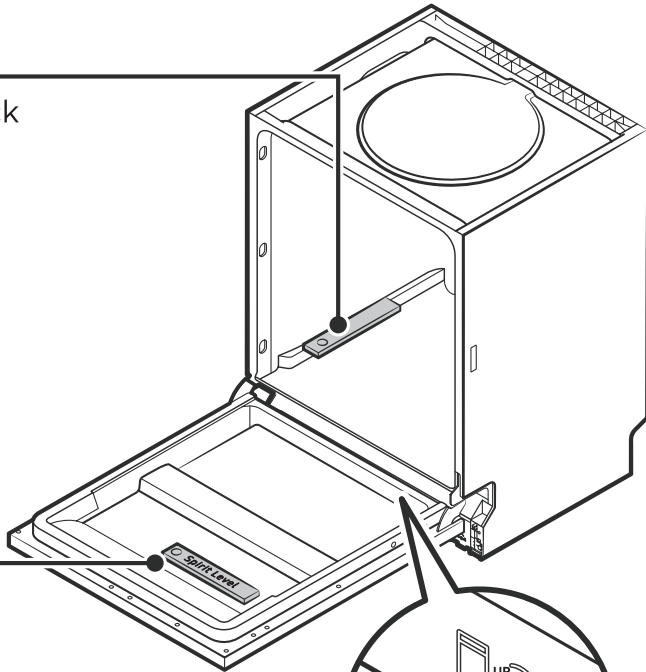
- This dishwasher is freestanding. Position it close to an existing water inlet and drain connection and be sure that there is a power supply nearby.
- The back of the appliance should lean against the wall behind. The sides along any adjacent walls. The appliance can be recessed under a single benchtop.
- Make sure water hoses or power cables aren't underneath the appliance.



1. Place a spirit level on door and rack track inside the tub as shown to check that the dishwasher is level.
2. Level the dishwasher by adjusting the three levelling legs individually.
3. When level the dishwasher, please pay attention not to let the dishwasher tip over.

Check level  
front to back

Check level  
side to side

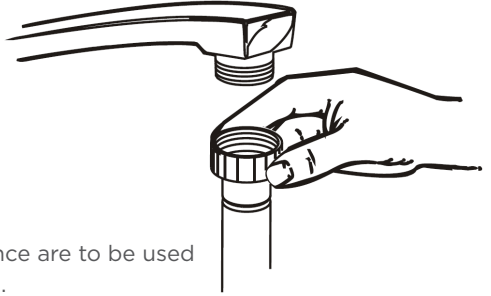


# GETTING STARTED (Cont.)

## WATER CONNECTION

Connect the water supply hose to a threaded 3/4" connector.

During operation, the dishwasher will heat up the appliance to the required temperature so please be sure that the hose is not kinked or squashed and tightly fastened in place. If the hose is new or has not been used be sure to let the water run for a little bit to clear the hose of any impurities.



ordinary supply hose

## WATER PRESSURE

Minimum inlet water pressure is 0.04MPa

Maximum inlet water pressure is 1.0MPa

## NOTE:

The new hose-sets supplied with the appliance are to be used and that old hose-sets should not be reused.

## SAFETY SUPPLY HOSE

The safety supply hose consists of the double walls. The hose's system guarantees its intervention by blocking the flow of water in case of the supply hose breaking and when the air space between the supply hose itself and the outer corrugated hose is full of water.

### **⚠ WARNING**

A hose that attaches to a sink spray can burst if it is installed on the same water line as the dishwasher. If your sink has one, it is recommended that the hose be disconnected and the hole plugged.

## HOW TO CONNECT THE SAFETY SUPPLY HOSE

1. Pull The safety supply hoses completely out from storage compartment located at rear of dishwasher.
2. Tighter the screws of the safety supply hose to the faucet with thread 3/4inch.
3. Turn water fully on before starting the dishwasher.



safety supply hose

## HOW TO DISCONNECT THE SAFETY SUPPLY HOSE

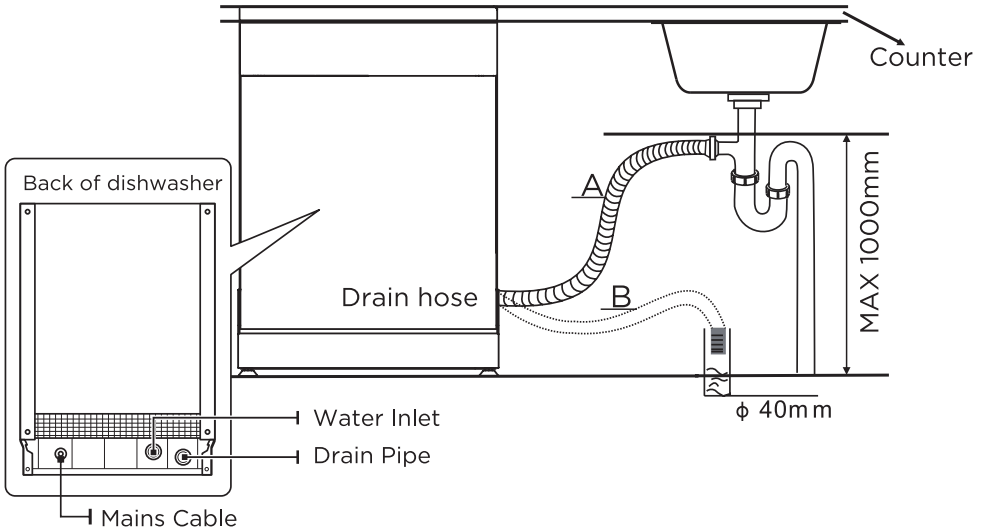
1. Turn off the water.2. Tighter the screws of the safety supply hose to the faucet
2. Unscrew the safety supply hose from the faucet.

# GETTING STARTED (Cont.)

## DRAIN HOSE CONNECTION

The drain pipe hose can go into a drain pipe with a diameter of 40mm (Option B), or let it run into the sink. Make sure to avoid bending or crimping the hose (Option A). The top of the hose is not to exceed 1000mm.

⚠ Please securely fix the drain hose in either position A or position B



## HOW TO DRAIN EXCESS WATER FROM HOSES

If the sink is 1000mm higher from the floor, the excess water in hoses cannot be drained directly into the sink. It will be necessary to drain excess water from hoses into a bowl or suitable container that is held outside and lower than the sink.

## WATER OUTLET

Connect the water drain hose. The drain hose must be correctly fitted to avoid water leaks. Ensure that the water drain hose is not kinked or squashed.

## EXTENSION HOSE

If you need a drain hose extension, make sure to use a similar drain hose. It must be no longer than 4 metres; otherwise the cleaning effect of the dishwasher could be reduced.

## SYPHON/DRAIN CONNECTION

The waste connection must be at a height less than 100 cm (maximum) from the bottom of the dish. The water drain hose should be fixed.

# GETTING STARTED (Cont.)

## **ELECTRICAL CONNECTION**

To connect the dishwasher, insert the plug into a correctly earthed power socket. If the socket is not appropriate for the plug, replace rather than use an adaptor (with a qualified electrician), the likes of such devices such as adaptors can cause overheating and burns.

### **WARNING:**

- Do not use an extension cord or adaptor.
- Do not bend the power cord and do not place appliance on top of cord.
- Do not modify the plug provided. If it does not fit into the power socket have a suitable outlet installed by a qualified electrician.

## **EARTHING**

This dishwasher must be earthed. In the unlikely event of malfunction or breakdown, earthing will reduce risk of electric shock by providing a path of least resistance for the electric current.

### **WARNING:**

- Make sure the outlet is properly earthed to the ground. Please consult a qualified electrician or a service representative if you are not sure.
- Do not cut or remove the third grounding prong from the power plug

## **BEFORE FIRST USE**

Now that your dishwasher has been installed, before using it for the first time please check the following points for safe and efficient use:






- It is level and installed correctly.
- The inlet valve open
- That the hose connections are tightly secured and no leakage.
- Electrical cord tightly connected.
- Power switched on at power socket.
- Inlet and all hoses free of knots and kinks.
- Packaging material all removed from appliance.
- All documentation stored for easy access.

# STARTING A WASH PROGRAM

## LOADING THE DISHWASHER

For best performance, follow below guidelines:

● Means: need to fill rinse into the Rinse-Aid Dispenser.

| Program   | Description Of Cycle  | Detergent Pre/Main               | Running Time(min) | Energy (Kwh) | Water (L) | Rinse Aid |
|---|---|----------------------------------|-------------------|--------------|-----------|-----------|
| <br><b>Intensive</b> | Pre-wash(50°C)<br>Wash(60°C)<br>Rinse<br>Rinse<br>Rinse(65°C)<br>Drying | $\frac{5/28.7g}{(Or\ All\ in1)}$ | 170               | 1.5          | 17.5      | ●         |
| <br><b>Heavy</b>     | Pre-wash(45°C)<br>Wash(55°C)<br>Rinse<br>Rinse (65°C)<br>Drying         | $\frac{5/28.7g}{(Or\ All\ in1)}$ | 160               | 1.3          | 13.5      | ●         |
| <b>ECO</b><br>(*AS/NZS2007.1)   | Wash (50°C)<br>Rinse<br>Rinse(45°C)<br>Drying                           | $\frac{5/28.7g}{(Or\ All\ in1)}$ | 190               | 0.75         | 12.7      | ●         |
| <br><b>Glass</b>     | Pre-wash<br>Wash(42°C)<br>Rinse<br>Rinse(60°C)<br>Drying                | $\frac{5/28.7g}{(Or\ All\ in1)}$ | 125               | 0.8          | 13        | ●         |
| <br><b>90 Min</b>  | Wash(65°C)<br>Rinse<br>Rinse(65°C)<br>Drying                            | $\frac{25g}{(Or\ All\ in1)}$     | 90                | 1.2          | 11.5      | ●         |
| <br><b>Rapid</b>   | Wash(40°C)<br>Rinse<br>Rinse(45°C)                                      | 25g                              | 30                | 0.6          | 11.5      | ○         |

**NOTE:** Open the door slightly (50mm) to assist in drying after every wash.

\* This program was used for testing the appliance to the Australian Standard AS/NZS 2007.1 with 15 place settings, Rinse aid settings on 6 and the upper basket with the upper set of wheels on the rail support.

# INSTRUCTIONS

## LOADING THE DISHWASHER

For best performance, follow bellow guidelines:

### ATTENTION: BEFORE LOADING BASKETS

Its not necessary to rinse all dishes before putting into dishwasher, though we suggest you scrape off any large amounts of leftover food and soften remnants of burnt food in pots and pans to ensure cleaning efficiency.

### Place objects in the dishwasher in the following way:

- Hollow items such as cups, glasses and pots should be upside down when placed into the dishwasher.
- Curved items should be placed on its slide, so that water can run off it.
- Utensils are to be stacked securely so they do not tip over.
- All utensils and dishes are to be placed so that the spray arms can rotate freely during washing.
- Very small items should not be washed in the dishwasher as they can fall and obstruct moving parts.
- To avoid damage to glasses they must not touch.

**WARNING:** Bladed knives stored upright is a potential hazard. Always position sharp items faced down or in a horizontal position in the upper basket.

- Do not overload your dishwasher. It will hold a maximum of 12 standard place settings. This is important for better washing results and lowers energy consumption.

### NOT SUITABLE FOR THE DISHWASHER

- Cutlery with wooden, china or mother-of-pearl handles
- Plastic items that are not heat resistant
- Older cutlery with glued parts that are not heat resistant
- Bonded cutlery items or dishes
- Pewter or copper items
- Lead crystal glass
- Steel items subject to corrosion (Rusting)
- Wooden Platters

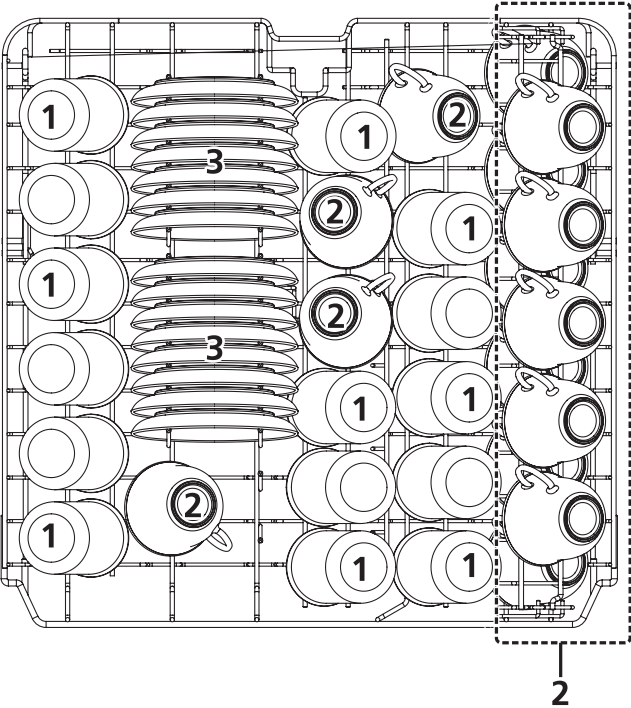
### LIMITED SUITABILITY

- Items made of silver and aluminium tend to discolour from machine washing.
- Glazed patterns may fade with frequent machine washing.

# INSTRUCTIONS (Cont.)

## LOADING THE UPPER BASKET

The upper basket is designed to hold more delicate and lighter dishware such as glasses, coffee and tea cups and saucers, as well as plates, small bowls and shallow pans. (position the dishes and cookware so that they will not get moved by the spray of water)

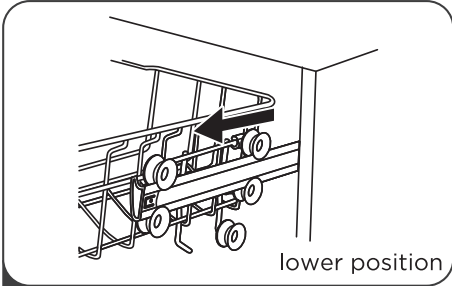


| Number | Item    |
|--------|---------|
| 1      | Glasses |
| 2      | Cups    |
| 3      | Saucers |

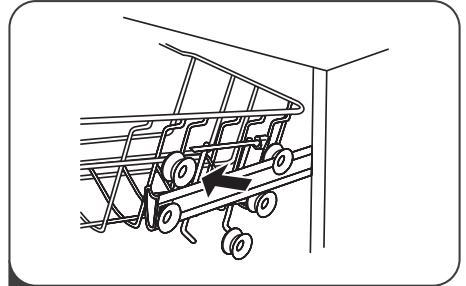
# INSTRUCTIONS (Cont.)

## ADJUSTING THE UPPER BASKET

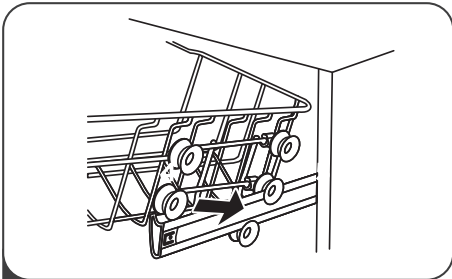
The height of the upper basket can be adjusted in order to create more space for large utensils both for the upper/lower basket. The height of the upper basket can be adjusted by placing the wheels on different height on the rails. Long items, serving cutlery, salad servers and knives should be placed on the shelf so that they do not obstruct the rotation of the spray arms.



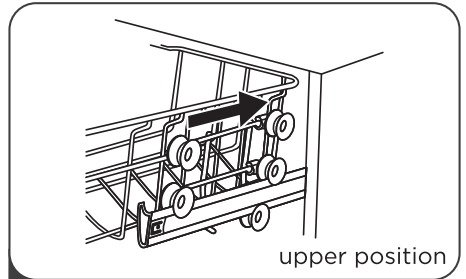
1 Pull out upper basket.



2 Remove upper basket.



3 Re-attach upper basket to the upper or lower rollers.

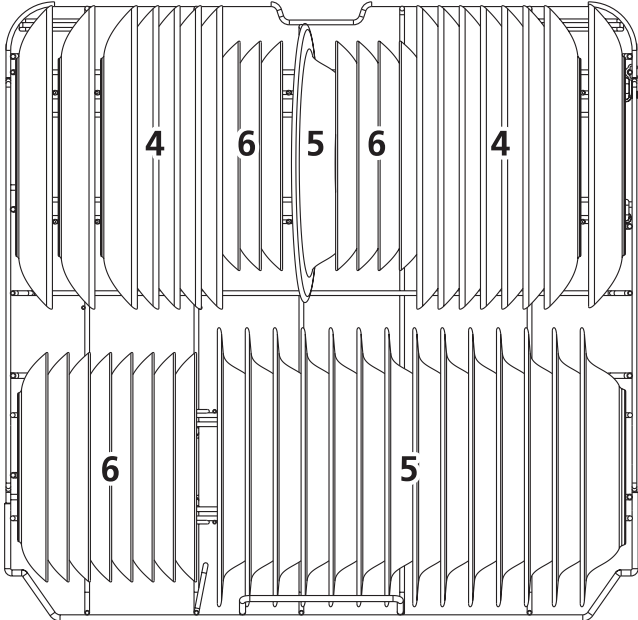


4 Push in upper basket.

# INSTRUCTIONS (Cont.)

## LOADING THE LOWER BASKET

Larger items such as pots, pans, lids, serving dishes and bowls should be placed into the lower basket of the dishwasher. (example of just pots below)

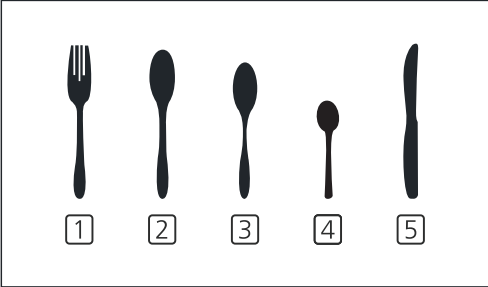
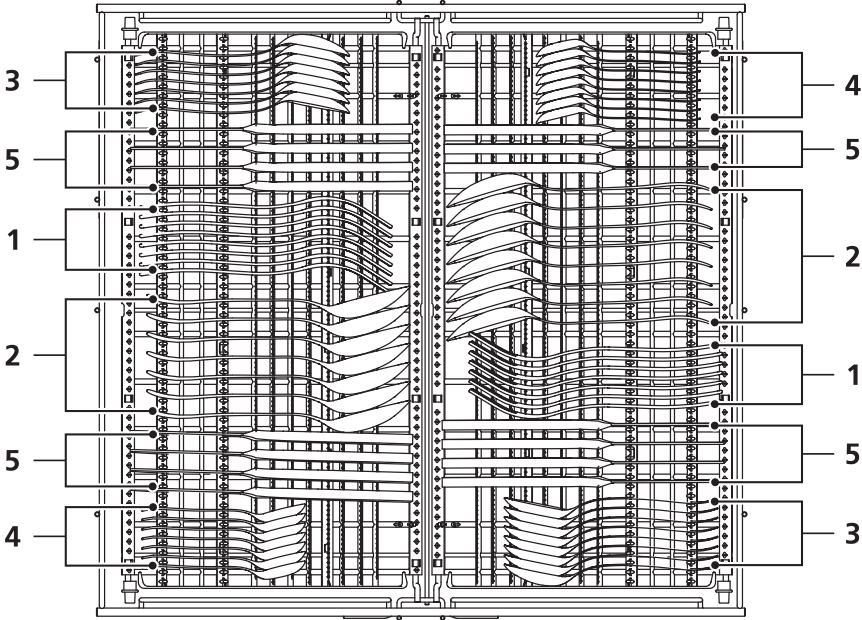


| Number | Item           |
|--------|----------------|
| 4      | Dinner plates  |
| 5      | Soup plates    |
| 6      | Dessert dishes |

# INSTRUCTIONS (Cont.)

## CUTLERY BASKET

All cutlery should be placed in the cutlery basket with the handles at the bottom. If the rack has side baskets, the spoons should be loaded separately into the appropriate slots, especially long utensils should be placed in the horizontal position at the front of the upper basket as shown in the picture.



| Number | Item           |
|--------|----------------|
| 1      | Forks          |
| 2      | Soup spoons    |
| 3      | Dessert spoons |
| 4      | Teaspoons      |
| 5      | Knives         |

# INSTRUCTIONS (Cont.)

## DISHWASHER DETERGENT

### **WARNING:**

- Only use detergent that are meant to be used for dishwashers
- Only add the detergent just before starting the dishwasher so it doesn't become damp, if becomes damp this will stop it from dissolving properly.
- Be sure to always supervise and that no children can reach detergent when door is open. Best when adding detergent, make sure its just before you start dishwasher and you close the door straight away.
- Detergent is corrosive, Be sure that no children are in reach of it.
- **WARNING:** Some dishwasher detergents are strongly alkaline. They can be extremely dangerous if swallowed. Avoid contact with the skin and eyes and keep children away from the dishwasher when the door is open. Check that the detergent receptacle is empty after completion of wash cycle.

### **CONCENTRATED DETERGENTS**

Based on their chemical composition, detergents can be split in two basic types: Conventional and Alkaline Detergents.

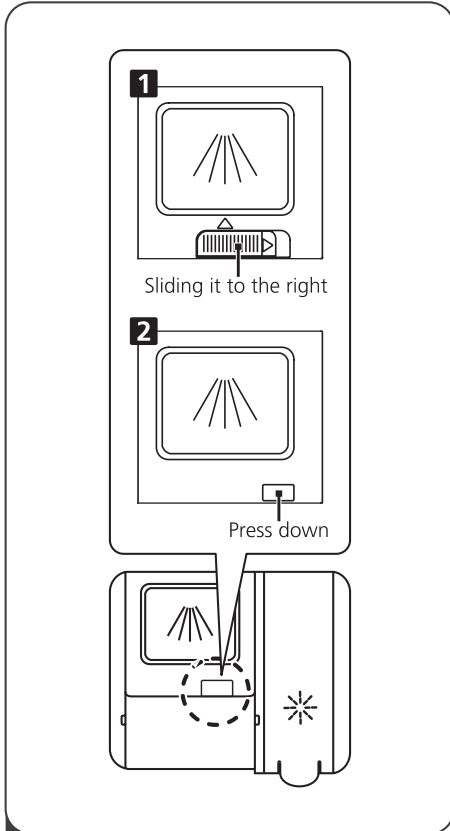
The use of "Normal" washing programs in combination with concentrated detergents reduces pollution and is good at cleaning your dishes. These wash programs are specifically matched to the dirt-dissolving properties of the enzymes of the concentrated detergent. For this reason, "Normal" wash programs in which concentrated detergents are used can achieve the same results that can otherwise only be achieved using "Intensive" programs.

### **DETERGENT TABLETS**

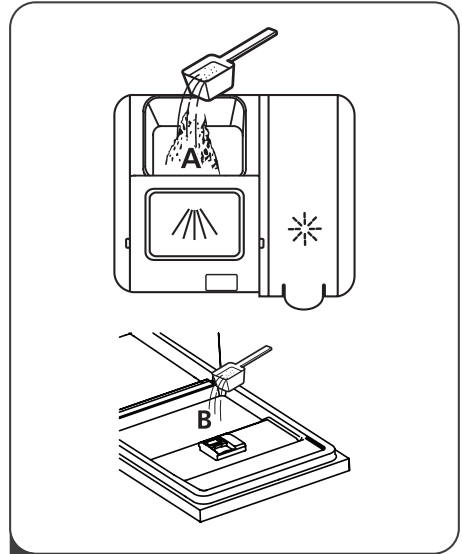
Detergent tablets of different brands dissolve at different speeds. Some detergents can't dissolve and develop their full cleaning power during short programs. Therefore please use long programs when using detergent tablets to ensure the complete removal of detergent residuals.

# INSTRUCTIONS (Cont.)

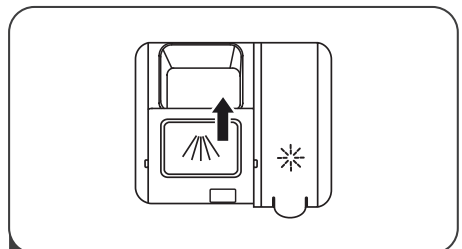
## ADDING DETERGENT



- 1** Please choose an open way according to the actual situation.
1. Open the cap by sliding the release catch.
  2. Open the cap by pressing down the release catch.



- 2** Add detergent into the larger cavity (A) for the main wash cycle . For better cleaning result, especially if you have very dirt items, pour a small amount of detergent onto the door. The additional detergent will activate during the pre-wash phase.



- 3** Close the flap by sliding it to the front and then pressing it down.

### NOTE:

- If the lid is closed, push the latch to open.
- Always add the detergent just before starting each wash cycle.
- Only use branded detergent and rinse aid for dishwasher.

# INSTRUCTIONS (Cont.)

## RINSE AID DISPENSER

The rinse aid is released during the final rinse to prevent water from forming droplets on your dishes, which can leave spots and streaks. It also improves drying by allowing water to roll off the dishes. Your dishwasher is designed to use liquid rinse aids. The rinse aid dispenser is located inside the door next to the detergent dispenser. To fill the dispenser, open the cap and pour the rinse aid into the dispenser until the level indicator turns completely black. The volume of the rinse aid container is about 110ml.

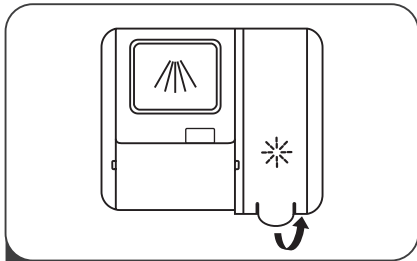
### CAUTION

Only use branded rinse aid for this dishwasher. Never fill the rinse aid dispenser with any other substances (e.g. Dishwasher cleaning agent, liquid detergent). This will damage the appliance.

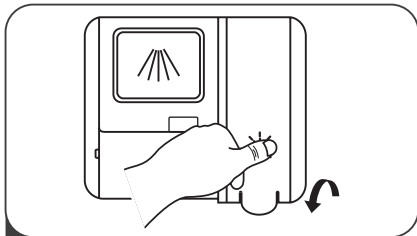
## FILLING THE RINSE AID DISPENSER

The rinse aid dispenser is located next to the detergent dispenser. It holds about 110mL. To fill the dispenser, open the cap and pour the rinse aid into the dispenser.

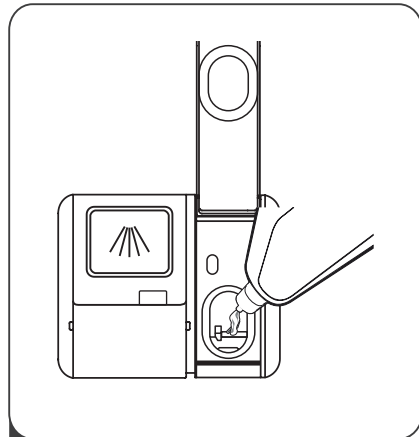
Pour the rinse aid until the indicator turns completely black, please take care not to overfill it.



- 1 Remove the rinse reservoir cap by lifting up the handle .



- 3 Close the cap after all.




- 2 Pour the rinse aid into the dispenser, being careful not to overfill.

### CAUTION

Clean up any rinse aid spilled while filling with an absorbent cloth or paper towel to avoid foaming during the next wash. Do not forget to replace the cap before closing the dishwasher door.

# INSTRUCTIONS (Cont.)

## **WHEN TO REFILL RINSE AID DISPENSER**

The “LOW RINSE AID” indicator “” will appear in the display when you need more rinse aid. Be sure not to overfill.

## **ADJUSTING THE RINSE AID DISPENSER**

To achieve better drying performance with limited rinse aid, the dishwasher is designed to adjust the consumption by the user with the following steps:

1. Switch on the appliance.
2. Within 60 seconds after turning on the appliance, press and hold the Start/Pause button for more than 5 seconds to enter the set screen. The rinse aid indicator will start flashing.
3. Press the program button to adjust Rinse aid level: D1, D2, D3, D4, D5 (The higher the number, the more rinse aid the dishwasher uses).
4. With no use of the dishwasher for 5 seconds or by pressing the Power button, you will exit the Rinse Aid Level settings.

# INSTRUCTIONS (Cont.)

## STARTING THE DISHWASHER

- Open the dishwasher and draw out the lower and upper basket and load in the dishes. Push them back in.
- When you finished loading the dishes, open up the detergent dispenser and add in your detergent. Refer to pages 22 & 23 for more information of adding detergent and Rinse aid dispensers.
- Once you have added your detergent and loaded the dishwasher. Close the door and be sure that it clicks in so that its closed correctly. Press the **ON/OFF** button on the dishwasher panel.
- Press the **PROGRAM** button repeatedly and select the desired wash program. Refer to page 16 for wash programs.
- Press the **START/PAUSE** button to start the program. When the program has completed washing your dishes. Press the **ON/OFF** button to turn off the dishwasher.

## FORGOT TO ADD A DISH

A forgotten dish can be added at any time before the detergent cup opens.

- Press the **START/PAUSE** button to stop the washing.
- When the spray arms stop spinning, open the door a little bit, best to add dishes in on upper basket. (opening the door all the way will cause water to leak as you are pausing mid-wash).
- Add in your forgotten dish
- Close the door and press **START/PAUSE** button. The dishwasher will continue to run after 10 seconds.

## AT THE END OF A WASH CYCLE

When the program wash cycle has finished, the buzzer on the dishwasher will sound for 8 seconds, then stop. Press the **ON/OFF** button to turn off the dishwasher before accessing the dishwasher.

- Wait a few minutes before opening the dishwasher to avoid scalding hot dishes and utensils as they will still be hot from the washing cycle you just completed.
- Open the door carefully a little bit and let the dishes cool before removing the dishes, this way the dishes will be cool when removing and will dry better.
- Empty the lower basket first to avoid dripping water from the top basket down onto the dishes on the bottom.

# FAQs

| Problem                            | Possible Cause   |  |
|------------------------------------|--|--|
| The dishwasher does not run        | The fuse is blown or circuit breaker is activated                              | Replace the fuse or reset circuit breaker. Remove any other appliances sharing the same circuit with the dishwasher.   |
|                                    | The power supply is not turned on.   | Make sure the dishwasher is powered on and the door is closed securely. Make sure the power cord is properly plugged into the wall socket.   |
|                                    | Water Pressure is low  | Check that the water supply is connected properly and the water is turned on.  |
| Knocking noise in the wash cabinet | A Spray arm is knocking against an item in the basket.                         | Interrupt the program by pressing START/PAUSE button and rearrange the items which are obstructing the rotating spray arm.   |
| Rattling noise in the wash cabinet | Items in the crockery are loose in the wash cabinet.                           | Interrupt the program by pressing START/PAUSE button and rearrange items in the crockery.  |
| Knocking noise in the water pipes  | This may be caused by on-site installation or the cross-section of the piping. | This has no influence on the dishwasher functions itself, if in doubt please contact a qualified plumber.  |
| Suds in the tub                    | Improper detergent   | Use only the special dishwasher detergent to avoid suds. If this occurs, add 3 Litres of cold water into the tub, close the door until it clicks shut, select any cycle and the first step of a cycle will drain out the water. Stop the cycle and open the door after water has been drained to see if the suds have disappeared. |
| Dishes are not dried properly      | Rinse aid dispenser is empty   | Make sure the rinse aid dispenser is not empty.  |
|                                    | Improper loading   | load the dishwasher as suggested in the manual   |
|                                    | Wrong program selected   | If you have selected a short program, the rinse temperature is lower which reduces cleaning performance as hotter temperatures are required for optimum cleaning.  |

# USEFUL INFORMATION

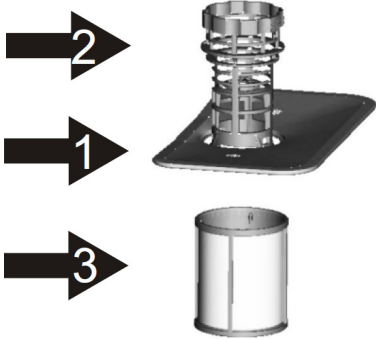
## WARNING

- If the dishwasher overflows, make sure to turn off the main water supply before making a service call.
- If there is water in the base, be sure to remove it before restarting the dishwasher.

## CLEANING AND MAINTENANCE

The filter prevents remnants of food or other objects from getting inside the pump. The residues may block the filter, in this case they must be removed.

The filter system consists of a coarse filter, a flat (main filter) and a micro filter.



### 1. MAIN FILTER

Food and soil particles are trapped in this filter and are pulverised by a special jet on the lower spray arm and washed down into the drain.

### 2. COARSE FILTER

Larger items, such as pieces of bones or glass that could block the drain are trapped in the coarse filter. To remove the items caught, gently squeeze the tap on the top of this filter and lift it out.

### 3. FINE FILTER

This filter holds soil and food residues in the sump area and prevents it from being redeposited on the dishes during a cycle.

## NOTE

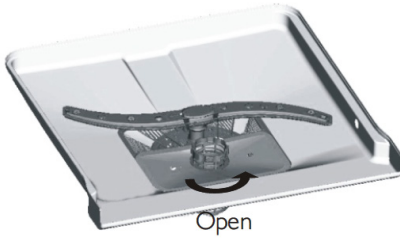
For the best performance of the dishwasher, the filters should be cleaned at least once a week and have the residues removed that may clog the filters.

# USEFUL INFORMATION (Cont.)

## REMOVING THE FILTER SYSTEM

To remove the filter assembly to clean please follow the below instructions:

**1**



### STEP 1

Turn the filter anti-clockwise direction.

**2**



### STEP 2

Lift the filter up

## NOTES

By unscrewing the coarse filter, you can remove the filter system. Remove any food remnants and clean the filters under running water.

## CAUTION

- When cleaning the filters take care not to damage or distort the shape of it.
- Never use the dishwasher without the filters. Improper replacement of the filters may reduce the washing performance and damage dishes and utensils.

# ERROR CODES

| Codes | Meanings                                      | Possible Causes   |
|-------|---|---|
| E1    | Longer inlet time.                            | Faucets is not opened, or water intake is restricted, or water pressure is too low. |
| E3    | Not reaching required temperature.            | Malfunction of heating element.   |
| E4    | Overflow.                                     | Some element of dishwasher leaks.   |
| E8    | Failure of orientation of distributary valve. | Open circuit or break of distributary valve.  |

## WARNING

- If overflow occurs, turn off the main water supply before calling a service.
- If there is water in the base pan because of an overfill or small leak, the water should be removed before restarting the dishwasher.

# SPECIFICATIONS

|                                |                           |
|--------------------------------|---------------------------|
| <b>Height</b>                  | 845mm                     |
| <b>Width</b>                   | 598mm                     |
| <b>Depth</b>                   | 600mm                     |
| <b>Depth (door open)</b>       | 1175mm                    |
| <b>Standard Cleaning Cycle</b> | ECO                       |
| <b>Water Pressure</b>          | 0.04-1.0 MPa              |
| <b>Power Supply</b>            | 220-240V - 50Hz           |
| <b>Capacity</b>                | 15 Place settings         |
| <b>Rated Power</b>             | 1760-2100W                |
| <b>Weights</b>                 | Net: 40.5kg / Gross: 46kg |

# SEIKI™

**CUSTOMER HELPLINE:**

1300 296 699

**DISTRIBUTED BY:**

Ayonz Pty Ltd