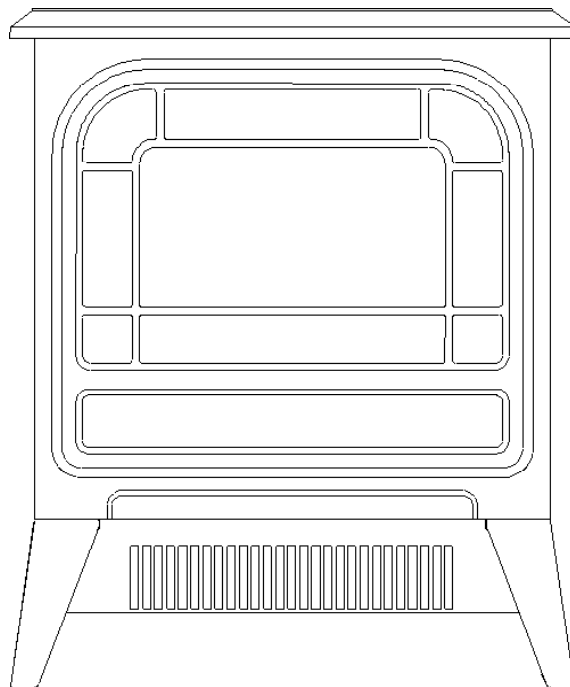



# Dimplex



MICRO STOVE AU    MCFSTV12AU

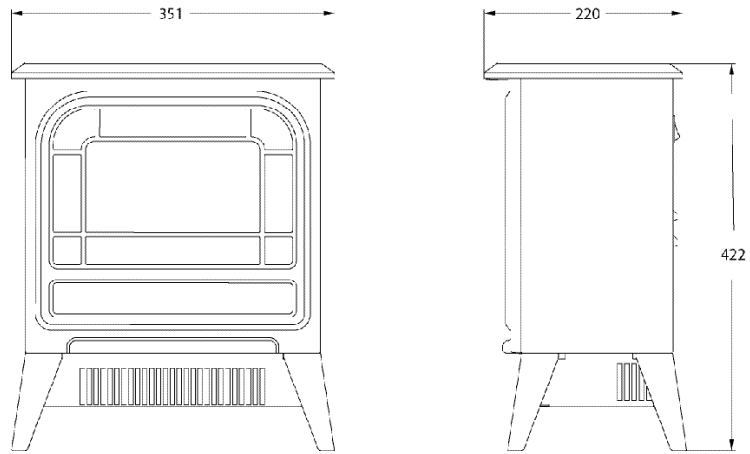
EN

08/54048/0    Issue 3  
OCN: 11014

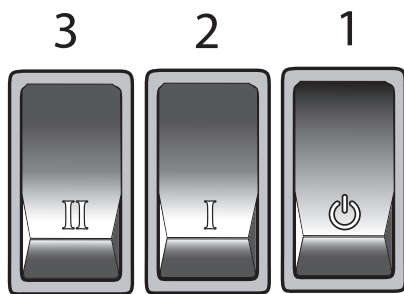
 The product complies with the European Safety Standards and the European Standard Electromagnetic Compatibility (EMC). These cover the essential requirements of EEC Directives.



1



2



### Important Safety Advice

When using electrical appliances, basic precautions should be followed to reduce the risk of fire, electric shock, and injury to persons, including the following:

If the appliance is damaged, check immediately with the supplier before installation and operation.

Do not use this appliance in the immediate surroundings of a bath, shower or swimming pool.

Do not use outdoors.

This appliance must not be located immediately above or below a fixed socket outlet or connection box.



**WARNING** : The appliance carries the Warning Symbol indicating that it must not be covered or has a Do not cover label. Do not cover or obstruct in any way the heat outlet grille located underneath the appliance. Overheating will result if the appliance is accidentally covered. Do not place material or garments on the appliance, or obstruct the air circulation around the appliance, for instance by curtains or furniture, as this could cause overheating and a fire risk.

In the event of a fault unplug the heater. Unplug the appliance when not required for long periods. The supply cord must be placed on the right hand side of the heater away from the heat outlet underneath the appliance.

Although this appliance complies with safety standards, we do not recommend its use on deep pile carpets or on long hair type of rugs.

This heater is not equipped with a device to control the room temperature. Do not use this heater in small rooms when they are occupied by persons not capable of leaving the room on their own, unless constant supervision is provided.

Children shall not play with the appliance. Cleaning and user maintenance shall not be made by Children.

Children should be kept away unless continuously supervised.

Children shall not turn on/off the appliance.

Children shall not plug in, regulate and clean the appliance or perform user maintenance.

The appliance must be positioned so that the plug is accessible.

If the supply cord is damaged it must be replaced by the manufacturer or service agent or similarly qualified person in order to avoid a hazard.

**CAUTION**: In order to avoid a hazard due to inadvertent resetting of the thermal cut-out, this appliance must not be supplied

through an external switching device, such as a timer, or connected to a circuit that is regularly switched on and off by the utility.

**CAUTION** - Some parts of this product can become very hot and cause burns. Particular attention has to be given where children and vulnerable people are present.

This appliance is not intended for use by persons (including children) with reduced physical, sensory or mental capabilities, or lack of experience and knowledge, unless they have been given supervision or instruction concerning use of the appliance by person responsible for their safety.

### CAUTION

- Do not use this heater in the immediate surroundings of a bath, a shower or a swimming pool;
- Do not use this heater if it has been dripped;
- Do not use if there are visible signs of damage to the heater;
- Use this heater on a horizontal and stable surface, or fix it to the wall, as applicable.

**WARNING**: Do not use this heater in small rooms when they are occupied by persons not capable of leaving the room on their own, unless constant supervision is provided.

**WARNING**: To reduce the risk of fire, keep textiles, curtains, or any other flammable material a minimum distance of 1 m from the air outlet.

### General

Unpack the heater carefully and retain the packaging for possible future use, in the event of moving or returning the fire to your supplier.

These models are designed to be free standing and are normally positioned against a wall.

The fire incorporates a flame effect, which can be used with or without heating, so that the comforting effect may be enjoyed at any time of the year. Using the flame effect on its own only requires little electricity. A choice of 600W or 1200W heat output is provided by the fan heater, which is located at the bottom of the unit.

Before connecting the heater check that the supply voltage is the same as that stated on the heater.

Please note: Used in an environment where background noise is very low, it may be possible to hear a sound which is related to the operation of the flame effect. This is normal and should not be a cause for concern.

### Electrical connection

**WARNING – THIS APPLIANCE MUST BE EARTHED.**

This heater must be used on an AC ~ supply only and the voltage marked on the heater must correspond to the supply voltage. Before switching on, please read the safety warnings and operating instructions.

# - MicroStove AU, MCFSTV12AU

**IMPORTANT: THESE INSTRUCTIONS SHOULD BE READ CAREFULLY AND RETAINED FOR FUTURE REFERENCE**

## Controls - see Fig. 2

These switches provide a choice of heat settings, The appliance is in standby mode when the mains lead is plugged in. This is indicated by the red neon behind the flame effect screen.

The two selector switches are in the ON position when the side with the markings on (i.e. I, or II) is pushed in.

Selector switch 1 (0) Press for 'ON'. If both selector switches 2 and 3 are in the OFF position, the product works on flame effect only.

Selector Switch 2 (I) Provides 600W heat output

Selector Switch 3 (II) Provides 1200W heat output.

## Light Emitting Diode

This fire is fitted with LED (Light Emitting Diode) bulbs in place of traditional incandescent bulbs. These generate the same light levels as traditional bulbs, but use a fraction of the energy consumed. These bulbs cannot be replaced.

## Thermal Safety Cut-out

The built-in overheat cut-out switches off the appliance automatically in the event of a fault. If this occurs switch off the appliance or disconnect the mains plug from the socket. After a short cooling down phase, the appliance is ready for use again. If the fault should occur again, see your local dealer.

## Maintenance

**WARNING: ALWAYS DISCONNECT FROM THE POWER SUPPLY BEFORE ATTEMPTING ANY MAINTENANCE.**

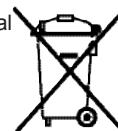
## Cleaning

For general cleaning use a soft clean duster – never use abrasive cleaners. The glass viewing screen should be cleaned carefully with a soft cloth. DO NOT use proprietary glass cleaners.

To remove any accumulation of dust or fluff the soft brush attachment of a vacuum cleaner should occasionally be used to clean the outlet grille of the fan heater.

## Recycling

Please recycle where facilities exist. Check with your Local Authority or retailer for recycling advice in your country.



## After Sales Service

Should you require after sales information or assistance with this product, please contact Glen Dimplex Australia on 1300 556 816 (AUS) / 09 274 8265 (NZ) or visit our website at [www.dimplex.com.au](http://www.dimplex.com.au) (AUS) / [www.dimplex.co.nz](http://www.dimplex.co.nz) (NZ).

Glen Dimplex Australia Pty Ltd. Glen Dimplex Australasia Ltd.

1340 Ferntree Gully Road,

Scoresby,

VIC 3179,

Australia

35 Harris Road,

East Tamaki,

Auckland

New Zealand

[www.dimplex.com.au](http://www.dimplex.com.au)

[sales@glendimplex.com.au](mailto:sales@glendimplex.com.au)

[www.dimplex.co.nz](http://www.dimplex.co.nz)

[sales@glendimplex.co.nz](mailto:sales@glendimplex.co.nz)

Ph: 1300 556 816

Fax: 1800 058 900

Ph: 09 274 8265

Fax: 09 274 8472

