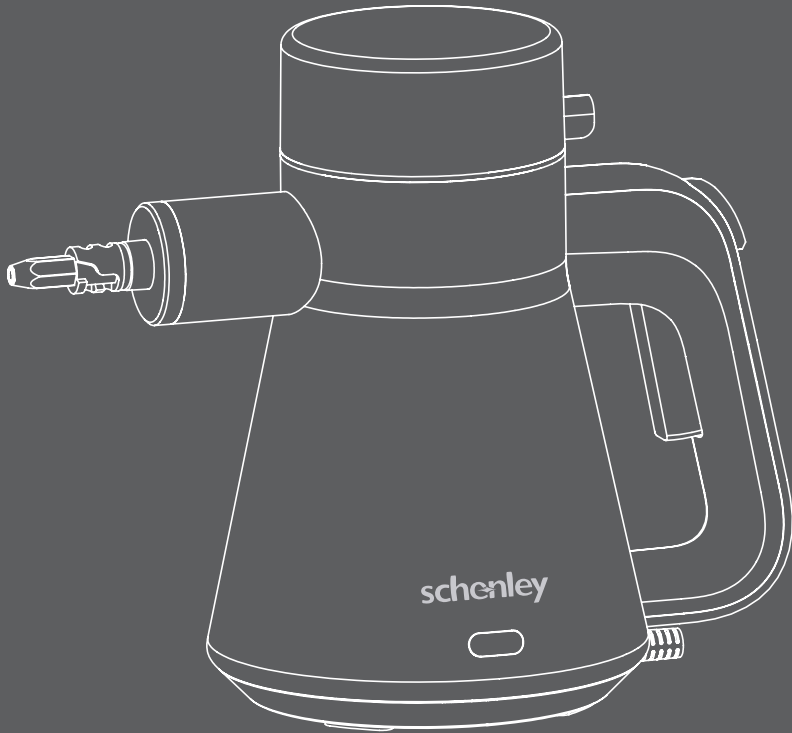


Be Simple, Be Graceful.

Schenley Steam Cleaner

& 5-in-1 Attachment Kit



User Manual

Dear Customer,

Thank you for choosing Schenley steam cleaner. At Schenley we strive to bring the best home cleaning experience through our products and services. The Schenley steam cleaner is a remarkable solution for deep steam cleaning. With our adjustable attachments, you can use it as a multi-function steam cleaner, capable of cleaning hard floors, tiles, and windows; removing grease off kitchen stoves, range hood and tables; clearing stains from bathtubs, toilet seats, fittings and much more.

This User Manual aims to provide you with guidelines on how to operate your Schenley steam cleaner and important safety instructions. Any use that does not conform to the guidelines described in this manual may void the limited warranty. Please read the complete instructions carefully before using the appliance and retain it for future reference.

Once again thank you for being a valued Schenley customer.

Sincerely,

Your Schenley Team



Table of Contents

Cover Page	1
Introduction	2
Table of Contents	3
Safety Warning	4
Features and Attachments	7
Assemble Your Steam Cleaner	9
Operate Your Steam Cleaner	13
Clean & Maintenance	17
Technical Specifications	18
Troubleshooting	19
Warranty and Customer Service	20

Safety Warning

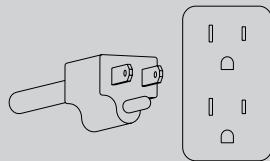
IMPORTANT SAFETY INSTRUCTIONS

Please read all instructions and safety warnings carefully before using your Schenley steam cleaner. If you give this product to others, please remember to give them these instructions as well.

The appliance is for use on a nominal 120V circuit and should be connected to a grounding outlet that looks like the one illustrated below. The use of a temporary adaptor is not recommended. If the plug does not fit into the outlet, contact a qualified electrician. Do not attempt to defeat this safety feature.

In the event of malfunction or breakdown, grounding provides a path of least resistance for electric current to reduce the risk of electric shock. The appliance must be connected to a cord having an equipment grounding conductor and a grounding plug. The plug must be plugged into an appropriate outlet that is properly installed and grounded following all local codes and ordinances.

NOTE: Neither Schenley nor any of its distributors and resellers can accept any liability for damage to the product or personal injury resulting from failure to observe the electrical connection procedures.



WARNING: To reduce the risk of danger to children and people with restricted capabilities:

- Do not allow children to use this steam cleaner. Children must not be allowed to play with the appliance.
- Keep children away while operating the steam cleaner and in the process of cooling down after use.
- Keep all packaging material out of reach of children to avoid the danger of suffocation.
- When disposing of the steam cleaner, safely cut the cord to ensure that it can no longer be used.
- This steam cleaner may be used by persons with reduced physical, sensory or mental capacities provided they are supervised or have been trained in the safe use of the appliance and understanding the potential danger.

Safety Warning

WARNING: To reduce the risk of fire or electric shock:

- It is not recommended to use an extension cord with this steam cleaner.
- Do not immerse this steam cleaner in water as this could result in electric shock.
- Do not fill more than 11.8 fl. oz. (350 ml) of water into the water tank. 11.8 fl. oz. (350 ml) of water can be measured by filling 2 cups of water using the measuring cup.
- If water accidentally has run down the steam cleaner while the tank is being filled, the steam cleaner must not be connected to power until it is completely dry.
- Do not touch the appliance with wet hands and do not operate it outdoors or in rooms with high humidity.
- Do not leave the steam cleaner unattended when plugged in.
- Do not fill the water tank when plugged in.
- Do not clean the steam cleaner or replace the attachments when plugged in.
- Do not pull or carry by the cord or pull the cord around sharp edges or corners.
- Only connect the steam cleaner to a properly installed, earthed wall socket that complies with the Technical Specifications (See Page 18) of the appliance.
- Always unplug the steam cleaner after use.
- Do not direct steam or water at appliances containing electrical components, for example, inside an oven.
- Do not use with damaged cord or plug. If the steam cleaner is not working as it should or has been dropped, damaged, left outdoors, or dropped into water, do not attempt to repair the steam cleaner by yourself. Please contact our customer service: schenleycare@schenleytech.com. Incorrect reassembly or repair may result in a risk of electrical shock or injury.

WARNING: The steam emitted from the steam cleaner is very hot and may cause scalding. Please use caution when using the steam cleaner. To reduce the risk of scalds and burns:

- Do not touch any of the attachments while the steam cleaner is in use.
- Do not direct the steam at people, animals, plants or delicate objects.
- Do not put your hands or feet under the steam cleaner.
- Do not use the steam cleaner without water in the tank.
- Do not touch the hot surfaces of the steam cleaner during operation.
- Do not cover the hot steam cleaner. Keep the hot steam cleaner away from curtains, blankets and other flammable or heat-sensitive materials.

Safety Warning

- The steam cleaner is extremely hot after use. Allow it to cool down for at least 15 minutes and use caution when emptying the water tank and removing the attachments.
- Only store away the appliance after it has cooled off completely. Always empty the water tank before storing the appliance away.

WARNING: To reduce the risk of injury and material damage:

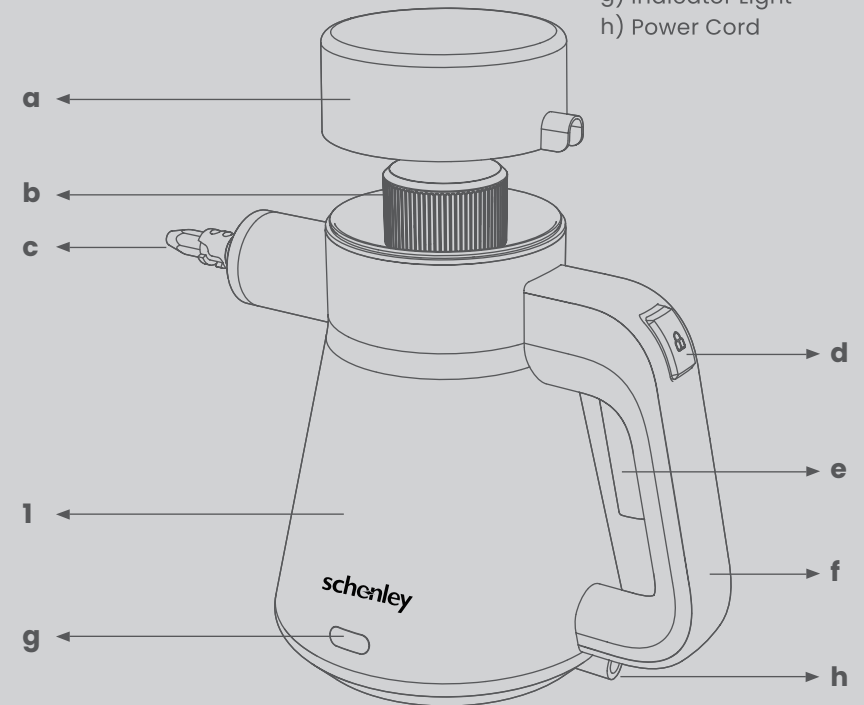
- Do not add cleaning detergents, solutions, alcohol, fragrances, oil, or any other chemicals to the water used in the steam cleaner as it may damage the product and make it unsafe to use.
- Do not use the brushes on delicate surfaces.
- Do not use it on leather, wax-polished furniture, synthetic fabrics, velvet, or other delicate, steam-sensitive materials.
- Do not use on unsealed wood or unglazed ceramic floors. The hot steam may remove the sheen on surfaces that have been treated with wax, and occasionally on some wax-free floors.
- Always test treat terracotta floors, wood floors and similar materials on an inconspicuous part of the material in order to determine whether it is suitable for steam cleaning. If necessary, consult the manufacturer of the material you wish to clean.
- Do not expose the appliance to extreme sunlight, frost, rain, or snow.
- Only use tap water or distilled water to fill the tank.
- Only use the accessories supplied.
- Store the steam cleaner in a cool, dry location. Do not store the appliance in the vicinity of gas or electric cookers, heaters or ovens.

SAVE THESE INSTRUCTIONS

Features and Attachments

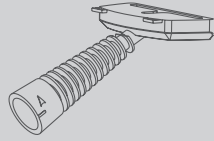
1. Cleaner Main Body

- a) Measuring Cup
- b) Safety Cap
- c) Steam Outlet
- d) Safety Button
- e) Steam Trigger
- f) Handle
- g) Indicator Light
- h) Power Cord



Features and Attachments

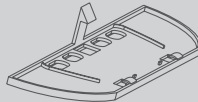
3. Fabric Head (SLASSCK03)



4. Fabric Sleeve x 3 (SLASSCK04)



5. Glass Squeegee (SLASSCK05)



6. Nylon Brush x 2 (SLASSCK06)



7. Grout Spray Nozzle (SLASSCK07)

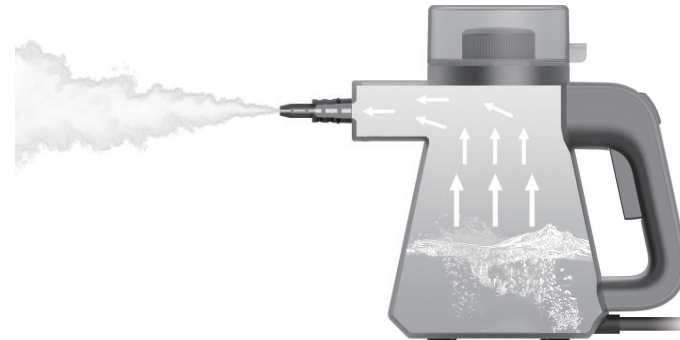


8. User Manual

Assemble Your Steam Cleaner

1. Cleaner Main Body:

The cleaner main body is the critical component that generates steam when connected to power. It has a measuring cup, safety cap, water tank, safety button, steam trigger, indicator light, handle, and a steam generation system inside. Attachments will be connected to the cleaner main body to serve various cleaning purposes.



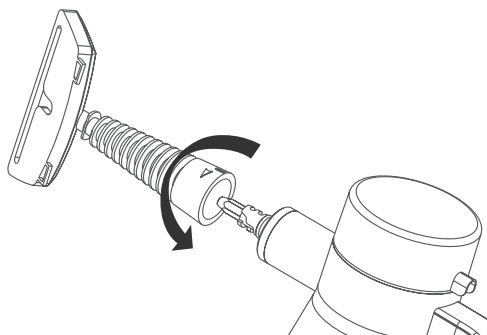
CAUTION: For safety purposes, when refilling water, make sure to release all residual steam and pressure in the steam cleaner by pressing the steam trigger. Then, wait 3-5 minutes for the safety cap to cool down before removing it. A built-in safety mechanism in the safety cap requires the appliance to cool down before removal. It protects you from steam bursts which may cause burns and scalds.

Assemble Your Steam Cleaner

3. Fabric Head:

The fabric head is designed for cleaning fabric surfaces and other flat surfaces.

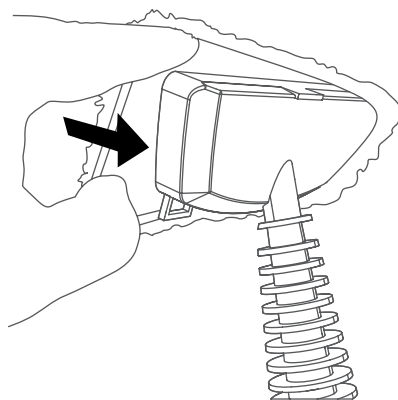
- Align the arrow mark on the fabric head with the mark on the steam outlet.
- Insert the steam outlet into the fabric head and rotate the fabric head counterclockwise to secure the head onto the steam outlet firmly.



4. Fabric Sleeve:

The fabric sleeve is placed on the top of the fabric head to clean fabric surfaces and other flat surfaces.

- Wrap the fabric sleeve on top of the fabric head as a cleaning pad which directly contacts cleaning surfaces



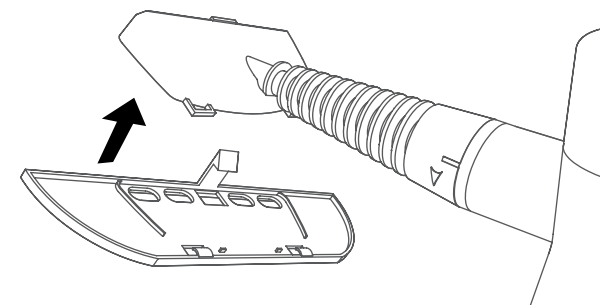
NOTE: The fabric sleeves are reusable. Hand wash or machine wash after use. Do not use bleach, powdered detergent, or fabric softeners as they may damage or leave a coating on the fabric sleeves that will reduce cleaning performance and absorbency. The fabric sleeves should be line-dried or tumble-dried on a low setting, as this will extend the life of the fabric sleeves. We recommend replacing your fabric sleeves every 2 to 3 months. You may purchase replacement sleeves and other accessories through Schenley.

Assemble Your Steam Cleaner

5. Glass Squeegee:

The glass squeegee is for cleaning smooth surfaces, for example, mirrors, windows, showers, etc.

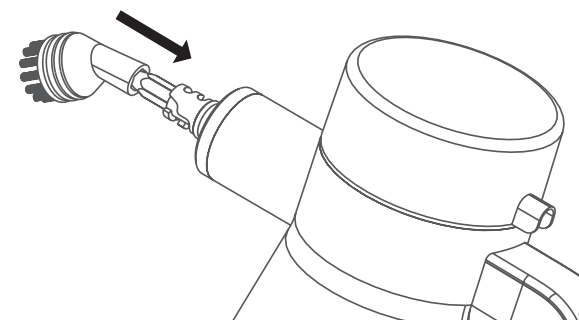
- Make sure the fabric sleeve is not attached to the fabric head before installing.
- Align the fabric head with the glass squeegee. Press down the fabric head until you hear and feel the release nob click into place.
- Remove the glass squeegee by pressing down the release nob on the glass squeegee, then pull it off completely.



6. Nylon Brush:

The nylon brush is for removing stubborn dirt and stains on, for example, water taps, bathroom fittings, hubcaps, etc.

- Align the nylon brush with the steam outlet.
- Insert the steam outlet into the nylon brush. Press down the nylon brush firmly to secure it onto the steam outlet.
- Remove the nylon brush by pulling.

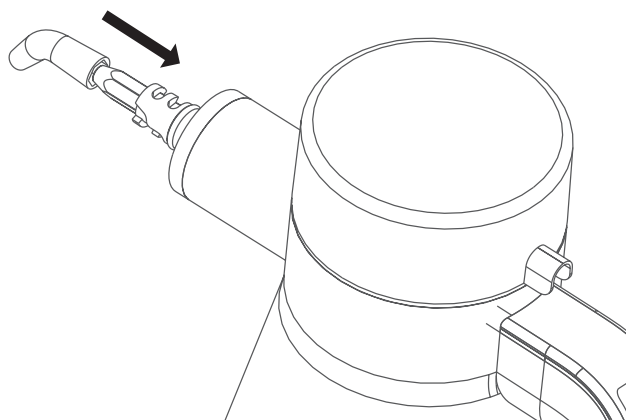


Assemble Your Steam Cleaner

7. Grout Spray Nozzle:

The grout spray nozzle is for cleaning narrow surfaces, for example, corners, tile floor grout, etc.

- Align the spray nozzle with the steam outlet.
- Insert the steam outlet into the spray nozzle. Press down the spray nozzle firmly to secure it onto the steam outlet.
- Remove the spray nozzle by pulling.



CAUTION: The steam cleaner is still very hot after use. Allow it to cool down before removing the attachments used.

Operate Your Steam Cleaner

Unpacking:

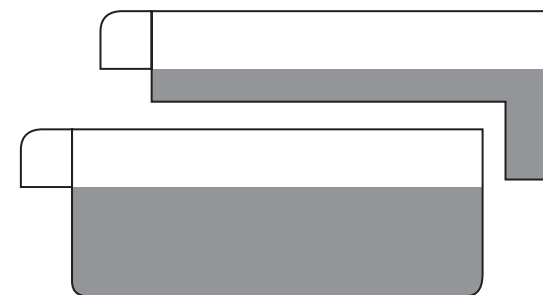
- Remove the steam cleaner and accessories from the package. Ensure all parts are present and show no sign of damage.

Filling the Water Tank:

- Place the steam cleaner on a flat surface, then rotate to open the safety cap.

CAUTION: If the steam cleaner has been in use, always follow the safety precautions before removing the safety cap. Press and hold the steam trigger to release all remaining steam. Allow the unit to cool for 15 minutes before using it again. A built-in safety mechanism in the safety cap requires the appliance to cool down before it can be removed.

- Drain all water from the steam cleaner water tank.
- The water tank has a maximum capacity of 15.2 fl. oz. (450 ml).
- The maximum water level allowed is 11.8 fl. oz. (350 ml). Do not fill more than 11.8 fl. oz. (350 ml) of water into the water tank.
- The measuring cup is measured at approximately 5.9 fl. oz. (175 ml) per cup. 11.8 fl. oz. (350 ml) of water can be measured by filling 2 cups of water using the measuring cup.



11.8 fl. oz. = 2 Measuring Cups

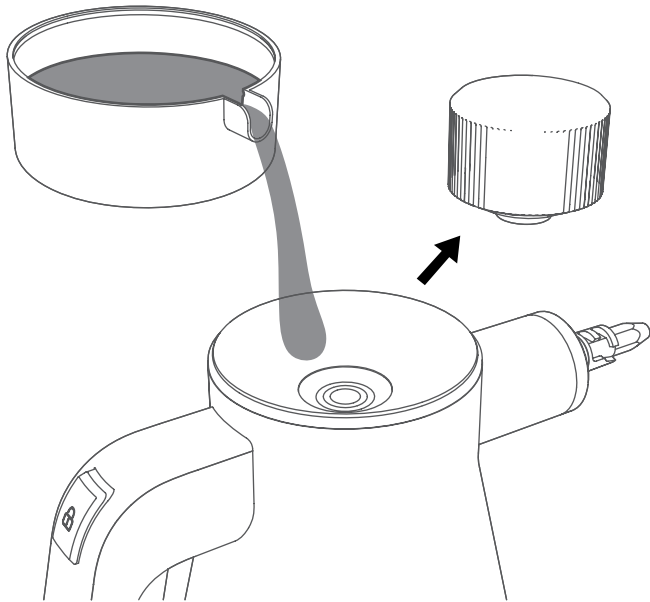
NOTE: To reduce mineral build-up and prolong the life of your steam cleaner, use distilled water to fill the water tank.

Operate Your Steam Cleaner

- Carefully pour water from the measuring cup into the water tank.

CAUTION: Filling more than 11.8 fl. oz. (350ml) of water may cause an excessive amount of water in steam. When filling the water, always use the measuring cup to pour 2 cups of water into the water tank to avoid overfill.

- Fasten the safety cap onto the steam cleaner by screwing it on tightly. Make sure no hot steam is escaping from the safety cap.



CAUTION: Ensure the steam cleaner is powered off and the power cord is unplugged when filling the water. If the steam cleaner has been in-use, allow the unit to cool down for 15 minutes before refilling. Failure to do so may result in burns from escaping steam.

Operate Your Steam Cleaner

Using Your Steam Cleaner:

- When the water tank is filled and the selected attachment is connected, plug the power cord into an electrical outlet.
- Once powered on, the indicator light turns on. Allow the steam cleaner to heat up for around 3-4 minutes before using it.
- When the steam cleaner is heated up, the indicator light will go off indicating the device is ready to use. During use, the indicator light may turn on indicating the steamer is heating up again to recover to the necessary pressure. The unit can be used at a lower pressure.

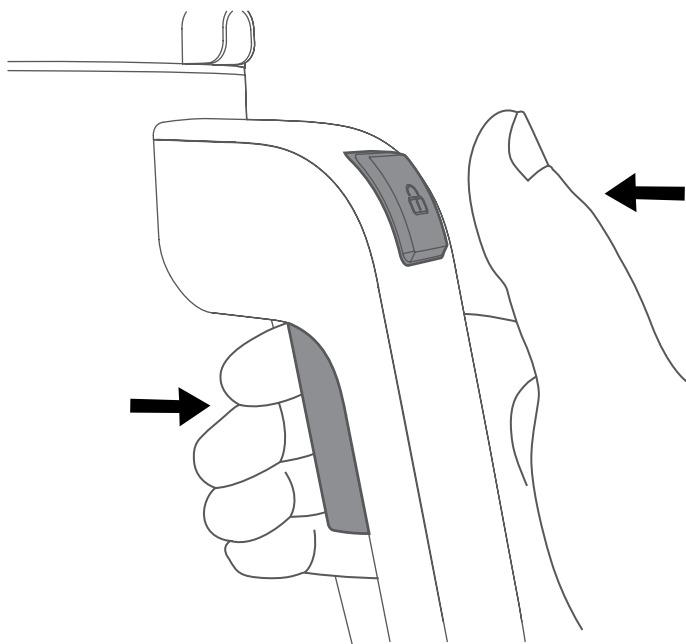


CAUTION: Do not leave the steam cleaner unattended when plugged in. The steam cleaner will remain heating when the power cord is plugged in. Therefore, to power off the steam cleaner completely, unplug the power cord.

Operate Your Steam Cleaner

- Direct the steam outlet towards surfaces you want to steam.
- Press down the child safety button to release the trigger lock, then press and hold the steam trigger for a continuous flow of steam.

NOTE: the child safety button is a built-in protection mechanism to protect children from using the steam cleaner. It requires both the child safety button and the steam trigger to be pressed down at the same time. A regular child's hand will not be able to reach both buttons at once.



- Use a back-and-forth motion over the area you want to steam. Wipe steamed areas with a clean cloth to remove and loosen dirt and grime. Wipe with caution on surfaces immediately after steaming for it may still be hot.
- When the steaming task is complete, release all remaining steam in the water tank by pressing and holding the steam trigger.
- Wait for 15 minutes before removing the safety cap to drain all remaining water.

Clean & Maintenance

CAUTION: When cleaning or maintaining your steam cleaner, ensure the power cord is always unplugged.

Handling:

- Allow the steam cleaner to cool down for at least 15 minutes before handling.
- Press and hold the steam trigger to release all remaining pressure.
- Remove all attachments from the cleaner main body and store them properly.

Cleaning:

- Rinse out the water tank once a month with water to remove any mineral build-up.
- Wipe down the appliance, as required, using a damp cloth.
- Clean the attachments regularly to keep them sanitized.
- Clean the steam outlet nozzle with a needle, if limescale deposits accumulate.

Storing:

- Drain any remaining water from the water tank. This will help to minimize mineral build-up caused by high mineral content in many municipal water supplies. This mineral build-up may limit the effectiveness and reduce the life of your steam cleaner.
- Store the steam cleaner and attachments in a cool, dry location. Avoid leaving it in the vicinity of gas or electric cookers, heaters, or ovens.
- Leave the safety cap open when storing.

Technical Specifications

Product Type	Steam Cleaner
Product Model	SLGCSC064
Rated Voltage	120V
Rated Frequency	60Hz
Rated Power	1000W
Water Tank Capacity	15.2 FL. OZ. 450 ML
Maximum Water Capacity	11.8 FL. OZ. 350 ML
Heating Time	3-4 MIN
Power Cord Length	12 FT
Steam Pressure	2.5-3.5 BAR
Steam Temperature	230 °F
Color	Schenley Magenta & Noble Gray
Steamer Main Body Dimensions	11.1 x 6.0 x 9.1 IN
Number of Accessories	10
Included Accessories	Extension Hose; Fabrics Head; Fabric Sleeve x 3; Glass Squeegee; Nylon Brush x 2; Grout Spray Nozzle; User Manual
Weight	2.8 LBS
Warranty	1 Year

Troubleshooting

Issue Scenarios	Possible Reasons	Solutions
No Steam	The steam cleaner is not securely plugged into an electrical outlet.	Check your fuse or circuit breaker. If the indicator lights aren't on when the power cord is plugged in, try a different outlet.
	The steam cleaner is heating up.	If the indicator lights are on, wait about 3-4 minutes for the steam cleaner to heat up before use.
	There is no water in the water tank.	Please ensure the water tank is filled with water before plugging in the power cord.
	The steam cleaner is damaged and in need of repair.	Contact Schenley customer service.
Intermittent / Little Steam	This is normal.	When the steam pressure is low, it does produce intermittent steam. For more consistent steam wait until the cleaner is heated up completely.
	Water level is running low.	Always make sure there is water in the water tank when using the steam cleaner.
Excessive Amount of Water in Steam	Water condensation in the attachments.	Wipe or shake off excess water and continue to use until excess water is released.
	The water tank has been overfilled.	Do not fill more than 11.8 fl. oz. (350 ml) of water into the water tank. 11.8 fl. oz. (350 ml) of water is equivalent to 2 measuring cups of water.
Attachment Incompatible	The attachment is not fully pushed in.	Grab the attachment firmly and pull it off the steam cleaner. CAUTION: The steam cleaner is still very hot after use. Allow it to cool down for 15 minutes before handling the attachments.
The safety Cap Does Not Come Off	There is excessive pressure inside the cleaner	A built-in safety mechanism requires the appliance to cool down before the safety cap can be removed. Press and hold the steam trigger to release all remaining steam.



Warranty and Customer Service

Schenley warrants to the original retail purchaser that Schenley steam cleaner will be free from defects in material and workmanship for one year from the date of the original purchase. This warranty applies to products used for personal purposes, and not for commercial or rental purposes.

To receive warranty service, the original customer purchaser should contact Schenley customer service for immediate assistance. Proof of purchase in the form of a bill of sale or receipt invoice, indicating that the steam cleaner is within the warranty period, must be presented to obtain the requested services. Following applicable law, Schenley may request you to provide additional documents before receiving warranty service. Please contact Schenley customer service for more details: schenleycare@schenleytech.com.

Please be aware the shipping expenses to return the product to the Schenley servicing address are not covered by this warranty and must be paid by the customer.

EXCEPTIONS AND EXCLUSIONS

If a hardware defect arises and a valid claim is received within the warranty period, Schenley, at its sole option and to the extent permitted by law, will either a) repair the defect at no charge, using new or refurbished replacement parts, b) exchange the product with a product that is new or which has been manufactured from new or serviceable used parts and is at least functionally equivalent to the original device, or c) refund the purchase price of the product.

A replacement product or part thereof shall enjoy the warranty of the original product for the remainder of the warranty period, or 90 days from the date of replacement or repair, whichever provides you with longer protection. Refunds can only be given if the original product is returned.

This warranty does not apply to:

- 1) Any non-Schenley steam cleaner product or accessories even if packaged or sold with the product.
- 2) Damage caused by the use of non-Schenley steam cleaner products or accessories.
- 3) Damage caused by accident, abuse, misuse, flood, fire, earthquake, or other external causes.
- 4) Damage caused by operating the product outside permitted or intended uses.
- 5) Damage caused by modifying the product or parts.
- 6) Consumable parts, such as batteries, fuses, and lights.
- 7) Cosmetic damage.

Warranty And Customer Service

This warranty is only valid in the country where it is purchased and only applies to product purchased in that country.

If your product should require service:

You may contact us through schenleycare@schenleytech.com to have a customer care specialist assist you.

If you like our products, please subscribe to our channels:



Twitter: [@SchenleyTech](https://twitter.com/SchenleyTech)



Instagram: [@Schenley_Tech](https://www.instagram.com/Schenley_Tech)



Facebook: www.facebook.com/SchenleyTech



Youtube: www.youtube.com/c/Schenley

