

# SENCOR®

SVC 440BL



**MATTRESS CLEANER**

Translation of the original manual

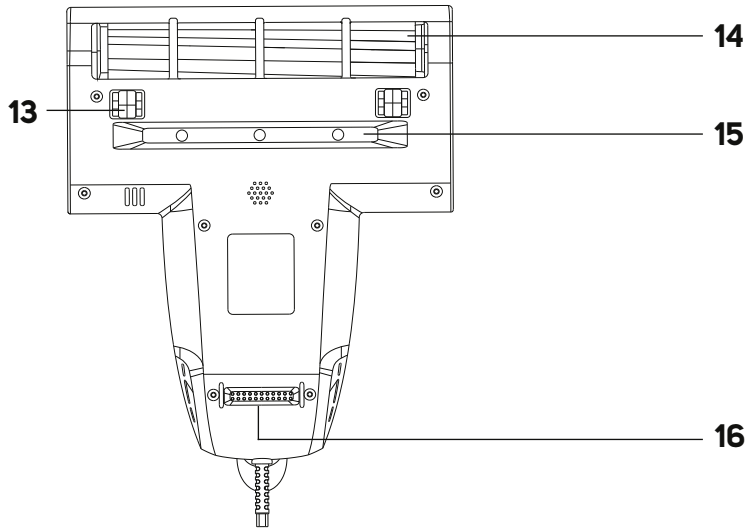
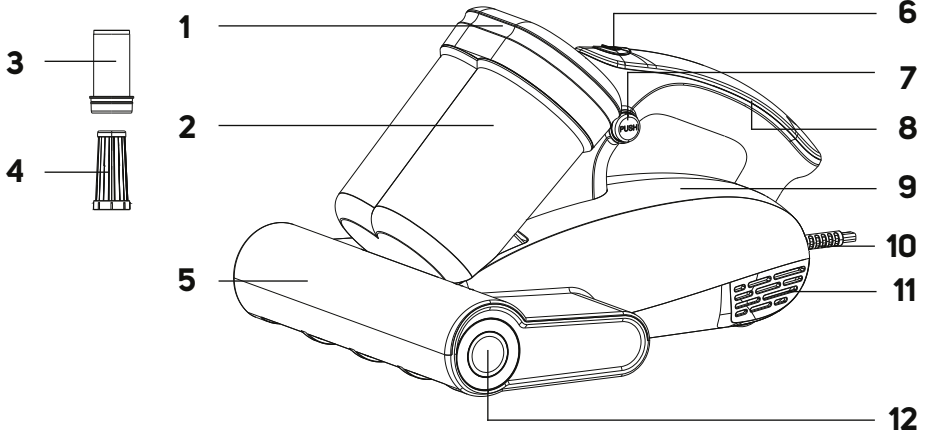


# SENCOR®

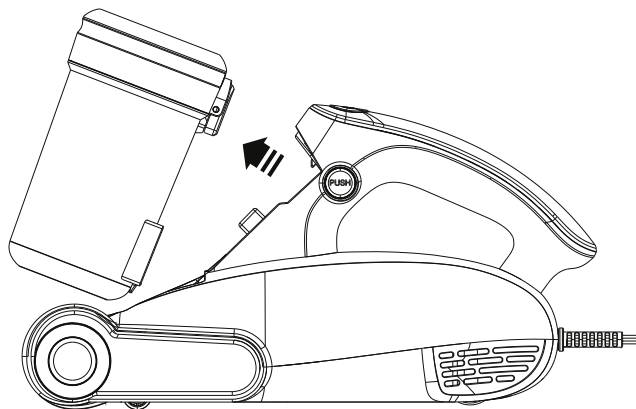
SVC 440BL



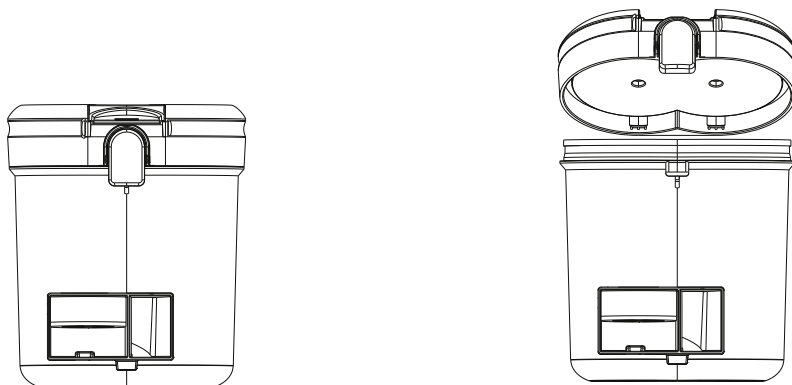
**A**



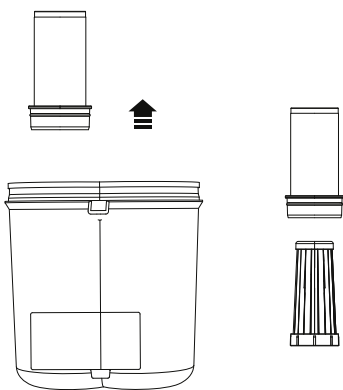
**B1**



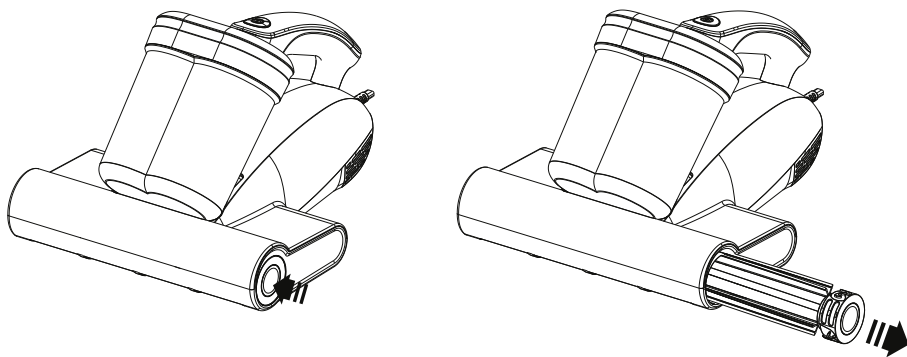
**B2**



**B3**



**C**



## **IMPORTANT SAFETY INSTRUCTIONS**

### **READ CAREFULLY AND STORE IT FOR FUTURE USE.**

- This appliance may be only used by children aged 8 years and older and by persons with physical, sensory or mental impairments or lack of experience and knowledge, if they are supervised or have been instructed on the safe use of the appliance and understand the potential hazards.
- Children must not play with the appliance. Cleaning and maintenance performed by the user must not be performed by unsupervised children.
- If the mains cable is damaged, have it replaced in a professional service centre in order to prevent a dangerous situation. It is forbidden to use the appliance with a damaged power cord or plug.
- Prior to cleaning or maintenance, always disconnect the appliance from the power socket and turn it off using the power switch.
- Connect the power cord only to a power socket with a protective contact.
- This appliance is not intended for vacuuming water.
- Regularly inspect the appliance and its accessories for damage. Do not use a damaged appliance or damaged accessories.

## Electrical Safety

- Before connecting the power cord to a power socket, check that the technical details on the rating label match the electrical voltage in the socket.
  - Connect the power cord only to a properly grounded socket. Do not use an extension cord.
  - Do not disconnect the power cord from the socket by pulling on the power cord. This could damage the power cord or the socket. Disconnect the power cord from the power socket by pulling the plug.
  - Do not place the power cord over sharp objects. Make sure that the cord does not hang over the edge of the table or touch a heated or hot surface.
  - Keep the power cord dry.
  - Do not connect or disconnect the power cord to or from the power socket with wet hands.
  - Do not expose the electronic parts of the appliance. They do not contain any components repairable by the user. Have the appliance serviced by qualified persons.
  - To prevent possible electric shock, do not spray the cleaner with water or immerse it in water or other liquids.
  - Do not use the cleaner if it does not operate properly, has been damaged, or has been submerged in water.
  - To avoid the danger of injury by electrical shock, do not repair the cleaner yourself or make any adjustments to it. All repairs should be carried out by an authorised service centre. Failure to do so will expose you to the risk of voiding the warranty policy.
  - Prior to cleaning or maintenance, always disconnect the cleaner from the power socket and turn it off using the main power switch.
- .....

## Safety in Use

- This mattress cleaner is intended for use in households, offices and similar spaces. Do not use it in industrial surroundings or outdoors.
- The cleaner is not intended for vacuuming water and, therefore, must not be used in damp or wet areas, for example in laundry rooms, bathrooms or around swimming pool. If it were to come into contact with water, the internal electronics of the cleaner would be destroyed.  
Do not use the cleaner to vacuum:
  - smouldering cigarettes, burning or flammable items, matches or ash;
  - water and other liquids;
  - sharp items, e.g. splinters, needles, pins, etc.;
  - flour, wall plaster and other building materials;
  - larger pieces of paper or plastic bags, which can easily block the suction opening.
- Do not expose the cleaner to direct sunlight and do not place it near open flames or appliances that are heat sources.
- Only use the cleaner with original accessories from the manufacturer.
- Before using the cleaner, make sure that the filter unit is properly installed in the dust container.
- Do not place any objects on the cleaner. Do not climb or sit on it.



### WARNING:

This appliance contains a UV-C light. Do not look into the light of the UV-C lamp and do not point the UV-C lamp at eyes.

.....

## EXPLANATION OF SYMBOLS PLACED ON THE PRODUCT OR IN THE ACCOMPANYING DOCUMENTATION



The product meets all the basic requirements of the applicable EU directives.



This symbol on products or original documents means that used electric or electronic products must not be added to ordinary municipal waste.



Thoroughly read the all the instructions before using the product.

.....



# EN Mattress Cleaner

## User Manual

- Thank you for purchasing our SENCOR product; we hope it will serve to your satisfaction.
- Prior to using this appliance, please read the user manual thoroughly, even in cases when you are already familiar with the use of similar types of appliances. Use the appliance only as described in this user manual. Keep the manual for future reference. If you pass the appliance on to another person, ensure that this user manual is included.
- Carefully unpack the appliance and make sure not to discard any part of the packaging material until you have removed all its components. It is recommended that you keep the original packaging, packing material, receipt and confirmation of the extent of the seller's liability or warranty certificate at least for the duration of the legal right to file a defect claim or the quality warranty. When transporting the appliance, we recommend repackaging it in the original box provided by the manufacturer.

### CLEANER DESCRIPTION

<b>A1</b> Dust container lid	<b>A9</b> Cleaner body
<b>A2</b> Dust container	<b>A10</b> Power cord end
<b>A3</b> Stainless steel coarse filter	<b>A11</b> Ventilation openings
<b>A4</b> HEPA filter	<b>A12</b> Button to remove the rotating brush
<b>A5</b> Rotating brush protective cover	<b>A13</b> Casters
<b>A6</b> ON/OFF button	<b>A14</b> Rotating brush
<b>A7</b> <b>PUSH</b> button to release the dust container	<b>A15</b> UV-C light with cover
<b>A8</b> Handle	<b>A16</b> Ventilation openings

### INTENDED USE

- The Sencor SVC 440BL mattress cleaner is designed to thoroughly remove dust, dust mites, and allergens that cannot be completely removed from mattresses by regular vacuuming. Thanks to its powerful suction, vibrations, and UV-C light, it helps improve bed hygiene and eliminate unpleasant odours. Regular use contributes to a healthier environment and better quality sleep.

### BEFORE FIRST USE

- Remove the cleaner and all accessories from the packaging. Check that you have removed all parts.
- Check for any damage to the cleaner and its accessories.
- Remove protective films and advertising labels from the cleaner and all accessories, including protective strips that may be placed on the cleaner.
- The dust container is stored separately in the package. It will need to be installed in a cleaner. First insert the bottom part of the container so that the openings in the cleaner and container align, then press down on the top part of the container until you hear a click.

### USING THE CLEANER

1. Ensure that the dust container is correctly installed in the cleaner and that the container lid is properly closed.
2. Fully unwind the power cord and connect the power cord plug in the mains socket.
3. Press the on/off button and the cleaner will start.
4. Place the cleaner on the mattress and press down lightly, pulling it slowly back and forth to thoroughly vacuum up all dirt.
5. After vacuuming, press the on/off button to turn off the cleaner. Unplug the power cord from the mains socket and clean it according to the instructions in the CLEANING AND MAINTENANCE section.



#### Note:

The cleaner is equipped with safety protective elements. The rotating brush is equipped with an anti-blocking protection that prevents objects from getting caught. When using, adjust the height between the cleaner and the contact surface to ensure proper operation. If raised too high, the UV-C light will turn off. This is a safety function.



#### Note:

Castors (**A13**) are equipped with springs. When the cleaner is placed on the mattress, the casters retract inward, which automatically turns on the UV-C light.

### CLEANING AND MAINTENANCE

- Before cleaning, always press the on/off button to turn off the cleaner. Unplug the power cord from the power socket.
- Never use abrasive cleaners, thinners, etc. for cleaning.
- Neglecting cleaning and maintenance may negatively affect the cleaner operation and lead to reduced performance.

#### Emptying and Cleaning the Dust Container

- Empty and clean the dust container after each use.
1. Grasp the dust container with one hand and press the **PUSH** button with the other hand – see Figure **B1**. The dust container is automatically released from the cleaner body.
  2. Remove the dust container from the cleaner body. Move it over the trash can.
  3. Press the lid lock and remove the lid – see Figure **B2**.
  4. Remove the coarse filter from the dust container and the HEPA filter from the coarse filter – see Figure **B3**.
  5. Empty the contents of the dust container into the trash.
  6. Rinse the coarse filter and the dust container under warm running water and allow them to dry freely.
  7. Shake the HEPA filter and remove the dirt with a soft brush or dry cloth. In the event of heavy soiling, you can vacuum them out using a different vacuum cleaner with an attached brush nozzle. Do not wash the HEPA filter in water. This may damage the appliance. In the event that the HEPA filter is already heavily soiled or deformed, replace it with a new one. We recommend replacing the HEPA filter based on the frequency of use at least once every six months.
  8. Insert the clean HEPA filter into the dry coarse filter and insert both parts back into the dust container.
  9. Put the lid back on the container. Press gently until you hear a click.
  10. Insert the dust container into the cleaner body. First insert the bottom part of the container so that the openings in the cleaner and container align, then press down on the top part of the container until you hear a click.



#### Note:

We recommend emptying the dust container outside the living area.



#### Note:

The HEPA filter designation is SVX 0440HF.



#### Warning:

Prior to inserting the dust container into the cleaner, always make sure that all the parts are clean and completely dry. Otherwise, there is a risk of damage to the cleaner.

## Cleaning the Rotating Brush

- After each use, check the rotating brush for hair and fur tangles and remove them as necessary.
- Press the button to release the rotating brush and pull it out of the cleaner body – see Figure C.
  - Remove tangled hair and fur from the rotating brush. For quick removal, you can use scissors.
  - Wipe the rotating brush with a slightly damp cloth and wipe with a dry cloth.
  - Put the clean rotating brush back into the cleaner body.

## Cleaning the Outer Surface of the Cleaner

- Regularly wipe the surface of the cleaner using a soft dry wiping cloth.

## TROUBLESHOOTING

Problem	Cause	Solution
The cleaner won't turn on.	The power cord plug is incorrectly inserted in the mains socket.	Insert the mains cable plug into the mains socket.
	The mains socket is not under voltage.	Plug the cleaner into another socket.
	The cleaner is damaged.	Contact an authorised service centre.
During operation, the cleaner emits an unusual noise and the suction output is weak.	The dust container is full.	Empty the dust container.
The UV-C light is not working.	The cleaner is too high above the surface being vacuumed.	Place the cleaner on the surface being vacuumed.
	The UV-C light is damaged.	Contact an authorised service centre.
The rotating brush does not rotate.	The rotating brush is blocked by tangled hair or fur.	Clean the rotating brush.
	The rotating brush is damaged.	Contact an authorised service centre.
The cleaner makes an unusual sound.	The dust container is full or the suction opening is blocked.	Empty the dust container or remove the cause of the blockage of the suction opening.
During use, dust is blown away (not sucked in).	The filter unit in the container is damaged.	Stop using the cleaner and contact an authorised service centre.
	The filter unit is not installed.	

## TECHNICAL SPECIFICATIONS

Rated voltage range ..... 220–240 V-  
 Rated frequency ..... 50/60 Hz  
 Rated input power ..... 350 W  
 Dust container capacity ..... 0.5 l

### Original Consumable Accessories

SVX 0440HF	HEPA filter
------------	-------------

## INSTRUCTIONS AND INFORMATION ON DISPOSAL OF USED PACKAGING MATERIAL

Dispose of used packaging material at the designated municipal waste disposal site.

## DISPOSAL OF USED ELECTRICAL AND ELECTRONIC EQUIPMENT

Used electrical and electronic products must not be disposed of in ordinary municipal waste. To enable the proper disposal, renewal and recycling of these products, deliver them to the designated collection points. Alternatively, in some European Union states or other European countries the products can be returned to the local retailer when buying an equivalent new product. By disposing of this product correctly, you help to conserve valuable natural resources and prevent any potential adverse impact on the environment and human health that could result from improper waste disposal. For more details, contact your local authority or nearest collection point. Fines may be imposed for the improper disposal of this type of waste as per national regulations.

### For business entities in European Union States

If you wish to dispose of electrical and electronic equipment, please request the necessary information from your retailer or supplier.

### Disposal in other countries outside the European Union

To dispose of this product elsewhere, request the necessary information on the correct disposal method from local authorities or your retailer.

Changes to text and technical parameters are reserved.

FAST ČR, a.s.  
U Sanitasu 1621  
CZ-251 01 Říčany  
[www.sencor.com](http://www.sencor.com)  
[info@sencor.cz](mailto:info@sencor.cz)