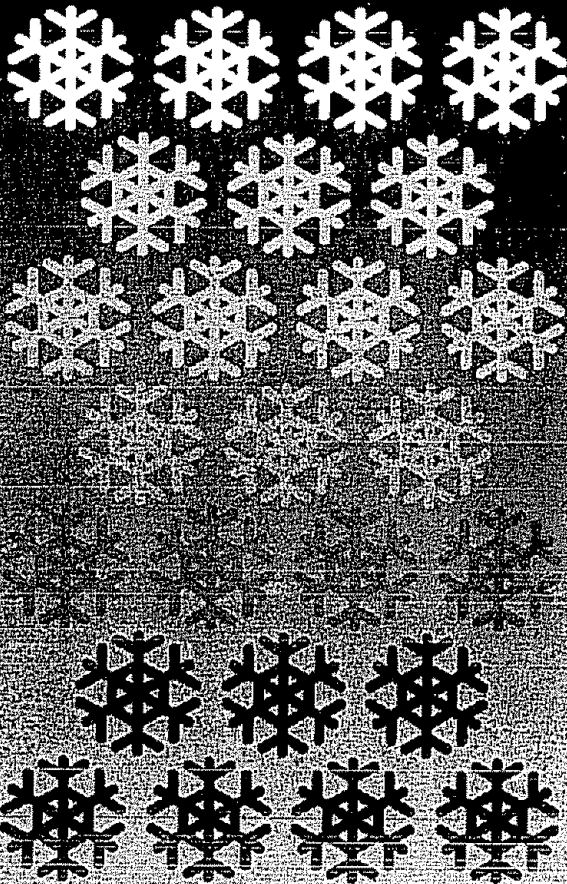


SEARS Owner's Guide



Refrigerators

Record Your Model and Serial Numbers	Cover
Important Safety Instructions	2
First Steps	3
Energy Saving Ideas	4
Setting the Controls	4
Temperatures	4
Energy Saver Switch	4
Moisture	4
Fresh Food Storage	5
Care and Cleaning	6-7
Automatic Ice Maker (some models)	7
Reversible Door Instructions	8-10
Avoid Service Checklist	10-11
Normal Operating Sounds	11
Sears Service	12
Refrigerator Warranty	12
Sears Service in Canada	13
Warranty (Canada)	14

Read and Save These Instructions

This Owner's Guide contains general operating instructions for your refrigerator and features information for several models. Your refrigerator **may not** have all the described features. Use your refrigerator only as instructed in this guide. These instructions are not meant to cover every possible condition and situation that may occur. Common sense and caution must be practiced when installing, operating, and maintaining any appliance.

Record Your Model and Serial Numbers

Record the model and serial number in the space provided below. The serial plate is located on the top left wall of the refrigerator compartment.

Model Number: _____
 Serial Number: _____
 Purchase Date: _____



Important Safety Instructions

Read all instructions before using this refrigerator.

⚠ WARNING For Your Safety

Do not store or use gasoline or other flammable vapors and liquids in the vicinity of this or any other appliance. Read product labels for flammability and other warnings.

⚠ WARNING Child Safety

- Destroy carton, plastic bags, and any exterior wrapping material immediately after the refrigerator is unpacked. Children should never use these items for play. Cartons covered with rugs, bedspreads, plastic sheets or stretch wrap may become airtight chambers and can quickly cause suffocation.
- Remove all staples from the carton. Staples can cause severe cuts and destroy finishes if they come in contact with other appliances or furniture.
- An empty, discarded ice box, refrigerator or freezer is a very dangerous attraction to children. **Remove the door of any appliance that is not in use, even if it is being discarded.**

⚠ WARNING Electrical Information

These guidelines must be followed to ensure that safety mechanisms in the design of this refrigerator will operate properly.

- **The refrigerator must be plugged into its own 115 Volt, 60 Hz, AC only electrical outlet.** The power cord of the appliance is equipped with a three-prong grounding plug for your protection against shock hazards. It must be plugged directly into a properly grounded three-prong receptacle. The receptacle must be installed in accordance with local codes and ordinances. Consult a qualified electrician. **DO NOT USE AN EXTENSION CORD OR AN ADAPTER PLUG.**
- If voltage varies by 10 percent or more, performance of your refrigerator may be affected. Operating the refrigerator with insufficient power can damage the compressor. Such damage is not covered under your warranty. If you suspect your voltage is high or low, consult your power company for testing.
- To prevent the refrigerator from being turned off accidentally, do not plug the unit into an outlet controlled by a wall switch or pull cord.
- Do not pinch, knot, or bend the power cord.

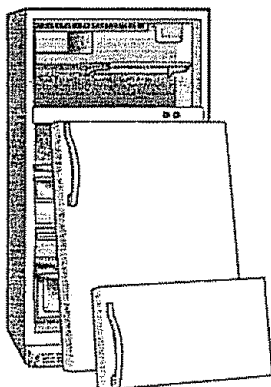
⚠ WARNING Other Precautions

- Never unplug the refrigerator by pulling on the power cord. Always grip the plug firmly and pull straight out from the receptacle.
- To avoid electrical shock, unplug the refrigerator before cleaning and before replacing a light bulb. **Note:** Turning the refrigerator control to OFF turns off the compressor, but does not disconnect power to the light bulb or other electrical components.
- Do not operate the refrigerator in the presence of explosive fumes.
- If your refrigerator has an automatic ice maker, avoid contact with moving parts.

Proper Disposal of Your Refrigerator/Freezer

⚠ WARNING Risk of child entrapment. Child entrapment and suffocation are not problems of the past. Junked or abandoned refrigerators or freezers are still dangerous — even if they will sit for "just a few days." If you are getting rid of your old refrigerator or freezer, please follow instructions below to help prevent accidents.
BEFORE YOU THROW AWAY YOUR OLD REFRIGERATOR/FREEZER:

- * Remove doors.
- * Leave shelves in place so children may not easily climb inside.



⚠ WARNING Avoid fire hazard or electric shock. Do not use an extension cord or an adapter plug. Do not remove any prong from the power cord.

Grounding type wall receptacle

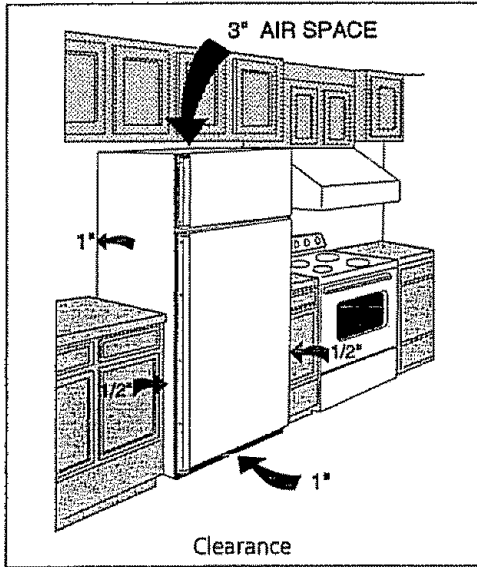


Do not under any circumstances cut, remove, or bypass the grounding prong from this plug.

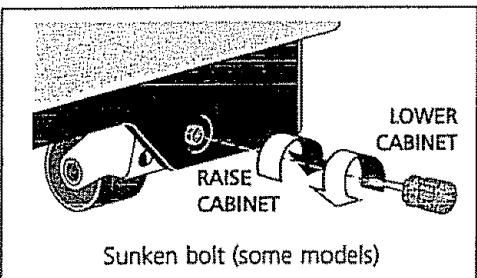
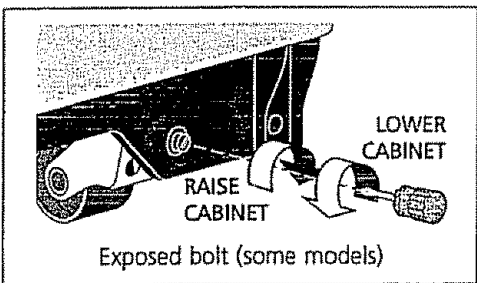
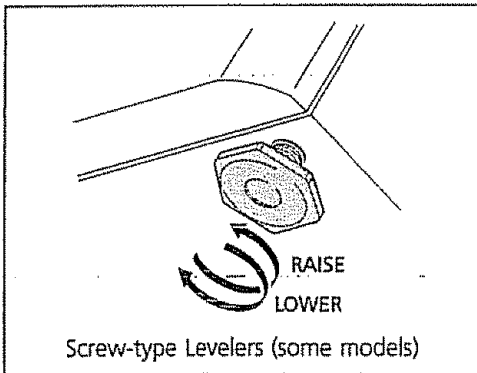
Power supply cord with 3-prong grounding plug



First Steps



Proper air circulation and leveling will ensure efficient operation.



Before starting the refrigerator, follow these important first steps:

Location

- Choose a place that is near a grounded electrical outlet. **DO NOT** use an extension cord or an adapter plug.
- If possible, place the refrigerator out of direct sunlight and away from the range, dishwasher or other heat sources.
- The refrigerator must be installed on a floor that is level and strong enough to support a fully loaded refrigerator.
- Consider water supply availability for models equipped with an automatic ice maker.

Installation

- Do not install the refrigerator where the temperature will drop below 60°F (15°C) or rise above 110°F (43°C). The compressor will not be able to maintain proper temperatures.
- Allow space around the unit for good air circulation. Leave a 1 inch (25 mm) space behind and a 3 inch (75 mm) space above the refrigerator for adequate circulation.
- In a recessed installation, allow an extra 1/2 inch (10-15 mm) on each side for ease of installation.
- For best circulation, elevate the unit 1 inch (25 mm) from the floor, especially if the floor is carpeted.

Door Opening

The doors should open to allow easy access to a counter when removing food.

- Do not position the refrigerator so you have to walk around the refrigerator doors.
- Reverse the doors if necessary. See "Reversible Door Instructions."

Leveling

All four corners of refrigerator must rest firmly on a solid floor. Some models are equipped with adjustable screw-type levelers. Others are equipped with rollers. If your refrigerator did not come with rollers, they can be purchased from your dealer.

- **To adjust screw-type levelers (some models):** Tip cabinet back slightly and raise adjusting bolts as needed.
- **To adjust front rollers (some models):** Use a screwdriver, 3/8" socket wrench, or nutdriver to adjust rollers as shown.

RAISE THE FRONT of cabinet enough so doors will close freely when opened halfway. Level cabinet side to side.

Cleaning

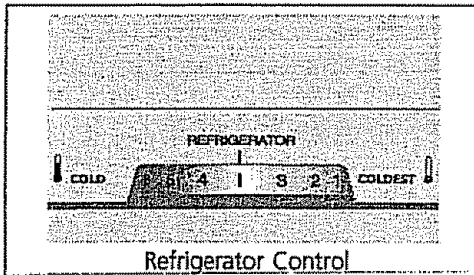
- Wash the inside, all removable parts and the outside with mild detergent and warm water. Wipe dry. **DO NOT USE HARSH CLEANERS ON THESE SURFACES.**
- Do not use razor blades or other sharp instruments which can scratch the appliance surface, when removing adhesive labels. Any glue left from the tape or energy label can be removed with a mixture of warm water and mild detergent, or touch the residue with the sticky side of tape already removed.
- **DO NOT REMOVE THE SERIAL PLATE.**

Energy Saving Ideas

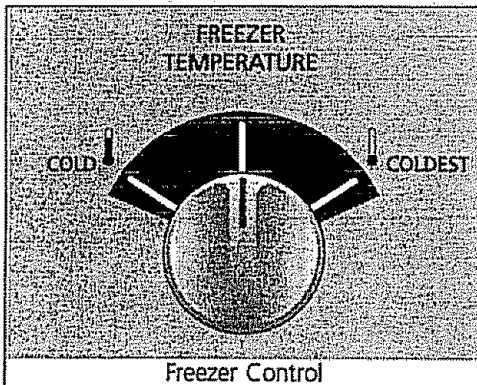


- Locate the refrigerator in the coolest part of the room, out of direct sunlight and away from heating ducts or registers. Do not place the refrigerator next to heat-producing appliances such as a range, oven or dishwasher. If this is not possible, a section of cabinetry or an added layer of insulation between the two appliances will help the refrigerator operate more efficiently.
- Level the refrigerator so the doors close tightly.
- Refer to this Owner's Guide for the suggested refrigerator settings.
- Periodic cleaning of the condenser will help the refrigerator run more efficiently. See Outside in the "Care and Cleaning" section.
- Do not overcrowd the refrigerator or block cold air vents. Doing so causes the refrigerator to run longer and use more energy. Shelves should not be lined with aluminum foil, wax paper or paper toweling. Liners interfere with cold air circulation, making the refrigerator less efficient, which could cause food spoilage.
- Cover foods and wipe containers dry before placing them in the refrigerator. This cuts down on moisture build-up inside the unit.
- Organize the refrigerator to reduce door openings. Remove as many items as needed at one time and close the door as soon as possible.

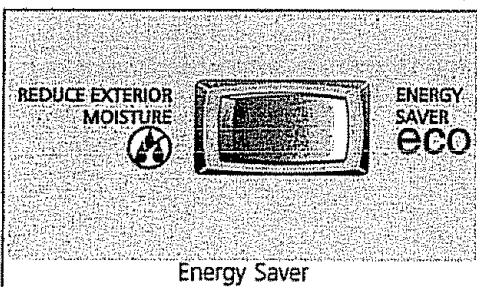
Setting the Controls



Refrigerator Control



Freezer Control



Energy Saver

Cool Down Period

To ensure safe food storage, allow the refrigerator to operate with the doors closed for at least 8 to 12 hours before loading with food.

Refrigerator and Freezer Controls

- To start out, set control dials to the midpoint for a trial period of 24 hours.

Temperatures

- After 24 hours, **adjust the controls as needed. Adjust temperatures one number at a time.** For colder temperatures, turn the dial toward COLDEST. For warmer temperatures, turn the dial toward COLD. The temperature will increase or decrease, but not necessarily by 1, 2, or 3 degrees.

An adjustment made to one compartment may require an adjustment to the other.

- Turning the refrigerator control will change the temperature in **BOTH** compartments. **If the refrigerator control is turned to OFF, cooling stops in both compartments.**
- Turning the freezer control will change only the temperature in the freezer compartment.

To maintain temperatures, a fan circulates air in the refrigerator and freezer compartments. For good circulation, do not block cold air vents with food items.

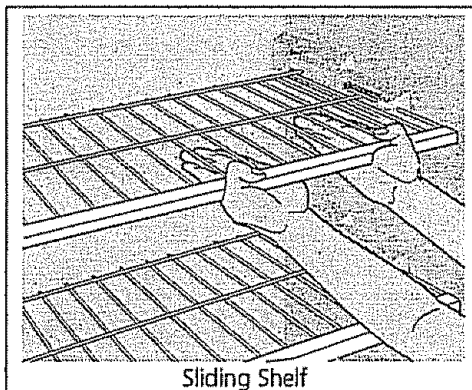
Energy Saver Switch (some models)

If your refrigerator is equipped with an Energy Saver Switch, keep it set on ENERGY SAVER for lowest energy usage.

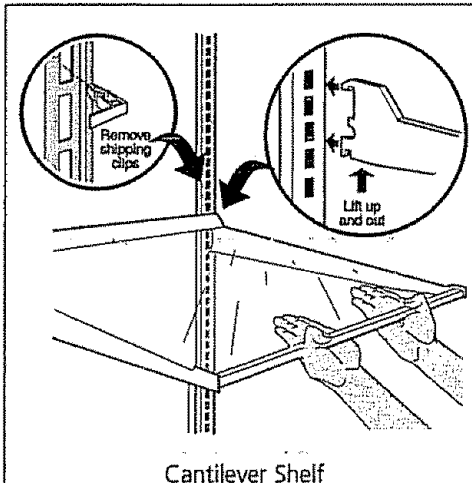
Moisture

During humid weather, or if moisture appears on the cabinet between the doors, set switch to REDUCE EXTERIOR MOISTURE. A heater will warm the surface and allow moisture to evaporate.

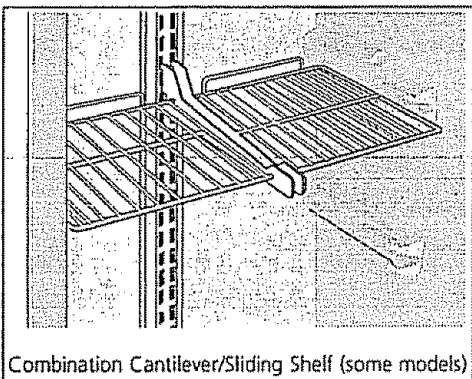
Fresh Food Storage



Sliding Shelf



Cantilever Shelf



Combination Cantilever/Sliding Shelf (some models)

Shelf Adjustment

Refrigerator shelves are easily adjustable to suit individual needs. Some models have sliding shelves, others have cantilever shelves. Before adjusting shelves, remove all food. The shipping clips which stabilize the shelves for shipping may be removed and discarded.

To adjust sliding shelves, remove by pulling forward to the stop position, then lift the front edge up and pull out. Replace on any pair of rails by reversing this procedure.

To adjust cantilever shelves (shelves supported at the rear of the refrigerator), lift the back of the shelf up and out. Replace shelf by inserting hooks at rear into slots. Lower and lock into position.

To adjust combination cantilever/sliding shelves, remove shelf by lifting hook out of rear slot, and sliding shelf forward to the stop position. Lift up front edge and pull out. Replace shelf by sliding shelf back on supports, and inserting the hook into the respective middle slot.

Door Storage

Door racks allow convenient storage of jars, bottles, and cans. Items used often are available for quick selection. Some models have door racks which can accommodate gallon-size plastic drink containers and economy size jars and containers which are available today. Some racks are removable and adjustable for maximum efficiency.

The door bins can be moved to suit individual needs. Remove bins by lifting straight up. Place bins in the desired position and lower over the supports.

The Dairy compartment is warmer than the general food storage section and is intended for short term storage of cheese, spreads, or butter:

Crispers

The Crispers, located under the bottom refrigerator shelf, are designed for storing fruits, vegetables, and other fresh produce. Wash items in clear water and remove excess water before placing in the Crispers. Items with strong odors or high moisture should be wrapped before storing.

Meat Pan (some models)

Some models are equipped with a Meat Pan that can be positioned below any refrigerator shelf. Use this pan for short term storage of bulk meat items. If meats are to be kept longer than 1 or 2 days, they should be frozen.

Care and Cleaning

Keep your refrigerator and freezer clean to prevent odor build-up. Wipe up any spills immediately and clean both sections at least twice a year. **Never** use metallic scouring pads, brushes, abrasive cleaners or strong alkaline solutions on any surface. **Do not** wash any removable parts in a dishwasher.

Always unplug the power cord from the wall outlet before cleaning. Turning the control to OFF does not disconnect power to the controls, light bulb, or other electrical components.

Inside

CAUTION Damp objects stick to cold metal surfaces. Do not touch refrigerated surfaces with wet or damp hands.

Wash inside surfaces of the refrigerator and freezer with a solution of 2 tablespoons baking soda in 1 quart warm water. Rinse and dry thoroughly. **Be sure to wring excess water out of sponge or cloth before cleaning around the controls, light bulb, or any electrical parts.**

Wash removable parts such as shelves and drawers with baking soda solution or mild detergent and warm water. **DO NOT USE HARSH CLEANERS ON THESE SURFACES.** Rinse and dry thoroughly. Clean the door gaskets with mild suds, rinse with clear water and wipe dry. Do not use razor blades or other sharp instruments which can scratch the appliance surface when removing adhesive labels. Any glue left from the tape or energy label can be removed with a mixture of warm water and mild detergent, or, touch the residue with the sticky side of tape already removed. **DO NOT REMOVE THE SERIAL PLATE.**

Outside

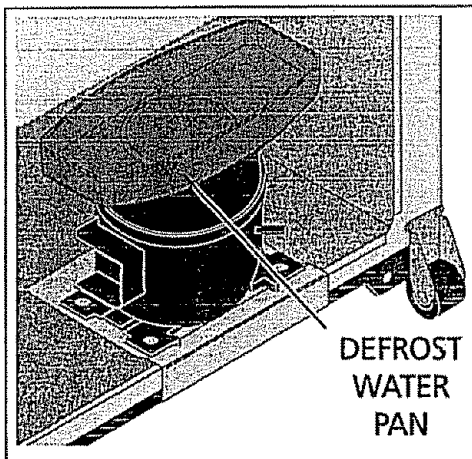
CAUTION To avoid damage and help the refrigerator run as efficiently as possible, clean the condenser periodically.

Wash the cabinet and handles with warm water and mild liquid detergent. Rinse well and wipe dry with a clean soft cloth.

When moving the refrigerator, pull straight out. Do not shift the refrigerator from side to side as this may tear or gouge the floor covering. If the refrigerator has an automatic ice maker, be careful not to move the refrigerator beyond plumbing connections.

Periodically clean the condenser (black tubes and wires on the back of the refrigerator). Using a vacuum with its dusting tool attachment, vacuum the coils to remove dust build-up. Do not allow lint or dust to accumulate on the coils.

The defrost water pan is located at the bottom rear of the refrigerator on top of the compressor (shown left). The pan should be cleaned periodically. Wipe clean with a damp cloth.



Replacing the Light Bulb

To replace the light bulb:

1. Unplug the refrigerator.
2. Wear gloves as protection against possible broken glass.
3. Replace old bulb with an appliance bulb of the same wattage.
4. Remember to plug the refrigerator back in.

Care and Cleaning

(continued)

Vacation and Moving Tips

Short vacations: Leave the refrigerator operating during vacations of 1 to 3 weeks.

Use up all perishable items from the refrigerator section. Wrap and store other items in the freezer. If the unit has an automatic ice maker, turn off the ice maker.

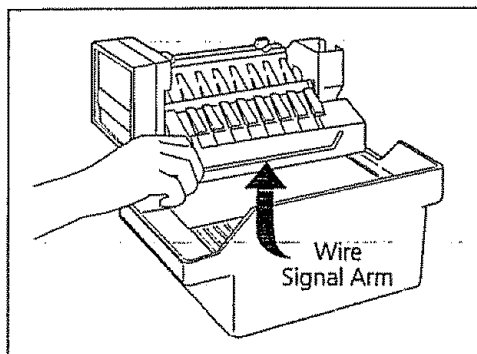
Long vacations: Remove all food and ice if you will be gone 1 month or more. Turn the control to OFF and disconnect the power. If the unit has an automatic ice maker, turn off the ice maker and turn the water supply valve to the closed position. Defrost and clean the interior thoroughly. Leave both doors open to prevent odor and mold buildup. Block open if necessary.

Moving: When moving the refrigerator, follow these guidelines to prevent damage:

- Remove all food and other items from both the refrigerator and freezer compartments. Empty the ice storage bin. Defrost and clean the interior thoroughly.
- If a hand truck is used in moving, load the refrigerator from the side.
- Turn front rollers as far up as possible (some models). This will protect them during sliding or moving.
- The cabinet should be well padded and handled with care. **DO NOT DROP.**

Automatic Ice Maker

If your refrigerator has an automatic ice maker, it will provide a continuous supply of ice for normal use. The automatic ice maker is an optional accessory which may be installed in most models at any time. Call your local dealer for installation.



After the plumbing connections have been completed, the water supply valve must be opened. Place the ice container under the ice maker, pushing it as far back as possible. Lower the wire signal arm to its "down" or ON position. Because of new plumbing connections, the first production of ice cubes may be discolored or have an odd flavor. Throw the ice away until the cubes made are free of discoloration and taste. Remember that water quality determines your ice quality. It is best to connect the ice maker to water that is not softened. Chemicals from a malfunctioning softener can damage the ice maker. If the ice maker is connected to soft water, ensure the softener is maintained and working properly.

To stop the ice maker, lift the wire signal arm until it clicks and locks in the "up" or OFF position. The ice maker turns off automatically when the ice container is full. If your model has an adjustable freezer shelf, place the shelf so the wire signal arm will hit the ice when the ice container is full.

Ice Maker Tips

1. Ice stored too long may develop an odd flavor. Empty the container and be sure the wire signal arm is in its "down" or ON position. The ice maker will then produce more ice.
2. Occasionally shake the container to keep ice separated.
3. Keep the wire signal arm in its "up" or OFF position until the refrigerator is connected to the water supply or whenever water supply is turned off.
4. **Certain sounds are normal when the ice maker is operating.** They are:
 - Motor operation
 - Ice being loosened from the tray
 - Ice being dropped into the container
 - Running water
 - Water valve opening and closing

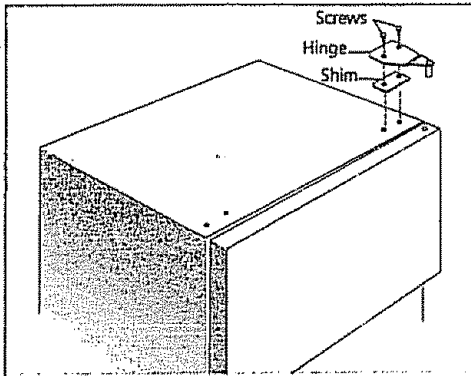
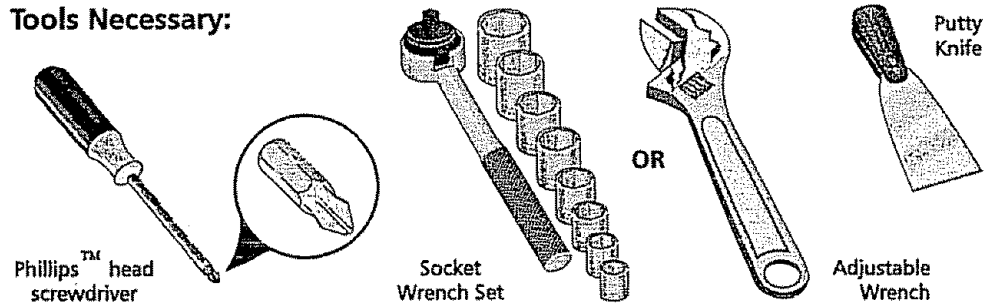
For more information on these operations, see "Normal Operating Sounds."

5. Wash ice container in warm water with mild detergent. Rinse well and dry.
6. Stop the ice maker when cleaning the freezer or for short vacations.
7. If the ice maker will be turned off for a long period of time, turn the water supply valve to the closed position.

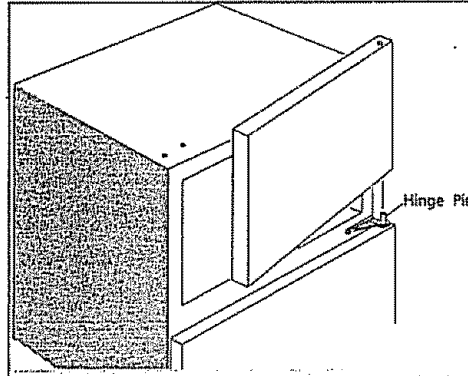
Reversible Door Instructions

Your refrigerator is equipped with convertible door hinges. Hinging of the door can be changed to the opposite side any time you wish. An envelope containing extra plastic hole plugs is included in some models. Turn the refrigerator control to OFF. Remove all food, bottles, and other items from the door. **Begin with freezer door.** Completely remove one door before beginning the other.

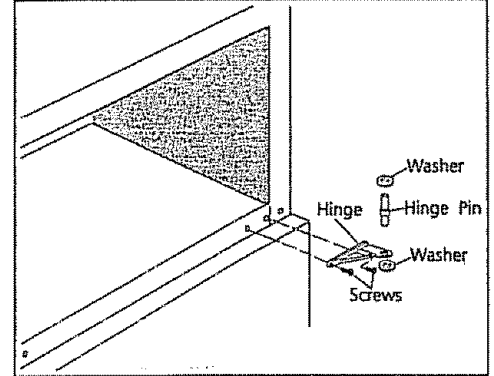
Tools Necessary:



1. Snap off hinge cover at top of cabinet (some models). With the freezer door closed, remove the two screws attaching upper hinge to cabinet. Lift the hinge up and off. **Be sure to save screws, hinge, and shim for reassembly later.**

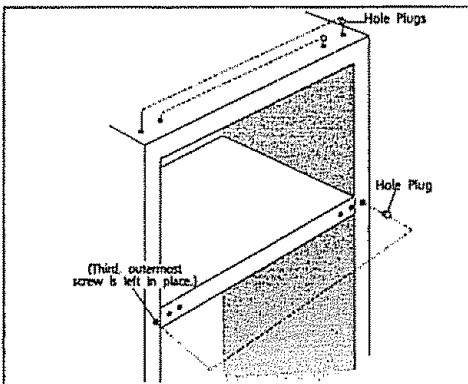
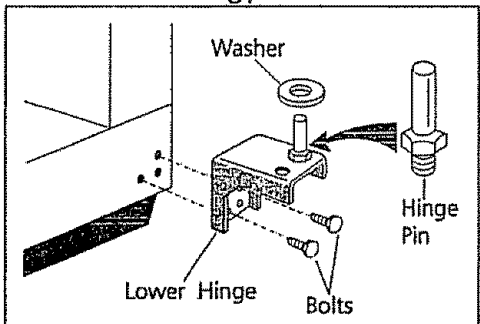
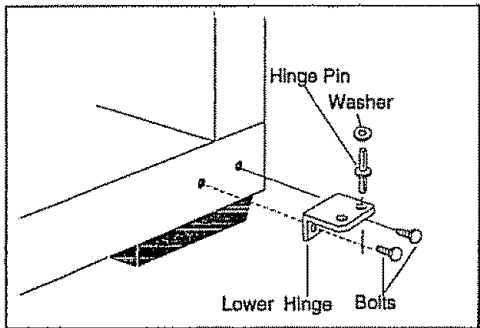


2. Open the freezer door enough to allow it to be lifted off the center hinge.



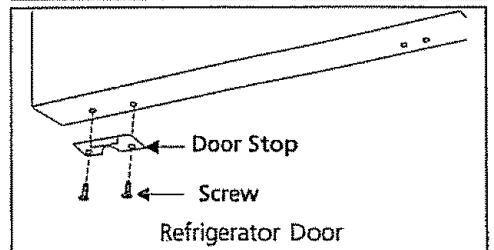
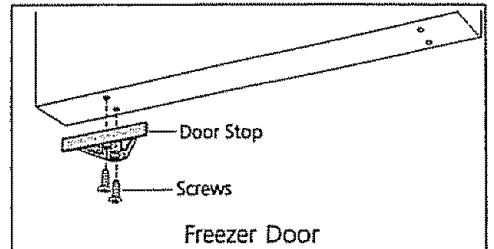
3. With the refrigerator door closed, remove center hinge pin. (Note the arrangement of the upper and lower washers (some models) on the hinge pin. The washers must be assembled later in the same manner.) Open refrigerator door enough to allow door to be lifted off the lower hinge. Remove the two screws attaching the center hinge. The third outermost screw under the center hinge should be left in place. **Save hinge, pin, and washers (some models) for reassembly later.** Reinstall screws in original holes.

NOTE: Some models have "pocket" handles, which are recessed into the side of the door. On these models, only the hinges will need to be reversed. A handle is built into both sides of each door.



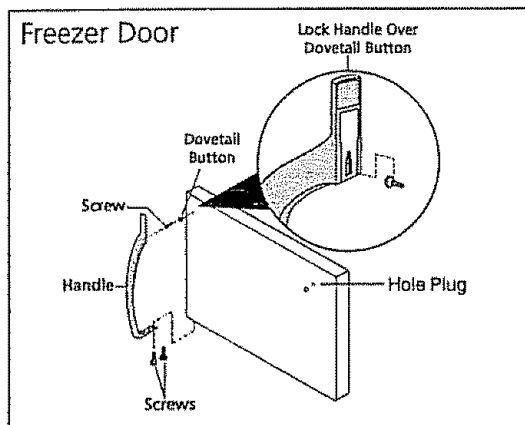
4. Remove hinge pin, hinge, and the two bolts attaching the lower hinge. **Save the hinge, hinge pin, washer (some models) and bolts for reassembly later.**

5. Carefully remove the hole plugs from the hinge holes in the center mullion and top of cabinet and reinstall in the opposite set of holes.

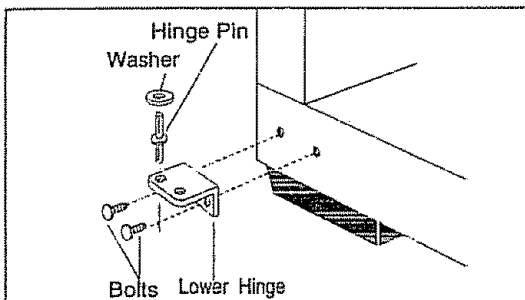


6. After the handles are removed (see steps 7 and 8), remove door stop from bottom of freezer and refrigerator door and reinstall on opposite side.

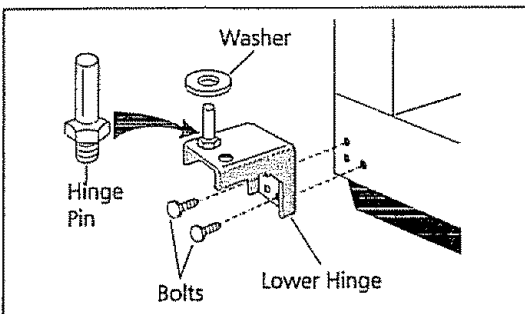
Reversible Door Instructions (continued)



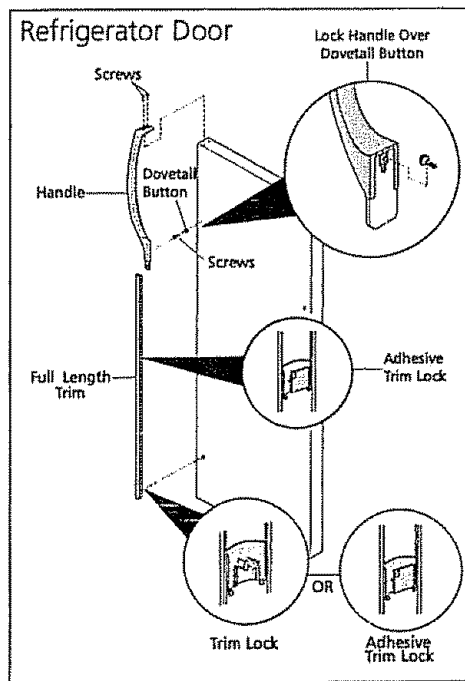
7. (When needed, please refer to your literature pack.) Reverse handles while doors are off. Remove the two screws attaching the handle to the bottom of the freezer door. Swing bottom of handle away from the door and slide handle up and off dovetail button. Remove screw and dovetail button and install on other side, moving hole plug from corresponding hole to the opposite side. Reverse instructions for reattaching handle. Start with handle offset away from the door. Place top of handle over dovetail button, swing handle into an upright position and push upward, locking it into place. Secure bottom of handle with screws.



or



9. Using a putty knife, remove black plastic plug (not shown) from front of base and reinstall in the opposite set of lower hinge holes. Assemble lower hinge to cabinet. Install hinge pin in opposite hinge hole from which it was removed. Install the washer (some models) on the lower hinge pin and insert hinge bolts, but do not tighten. Hinges will have to remain loose against cabinet to align door.

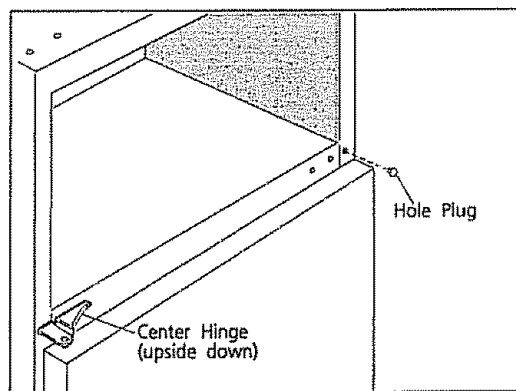


8. (When needed, please refer to your literature pack.) To remove handle: Pull down to slide trim off bottom of handle. Remove the two screws attaching the handle to the top of the refrigerator door. Swing the top of handle away from the door and slide handle down and off dovetail button. Remove screw and dovetail button and install on other side, moving hole plugs from corresponding holes to the opposite side. Reverse instructions for reattaching handle. Start with the handle offset away from the door. Place bottom of handle over dovetail button, swing handle into an upright position and push downward, locking it into place. Secure top of handle with screws. Replace trim.

Trim Removal (Full-Length Trim models only):

In some models, the refrigerator door has a full length trim piece which continues from the bottom of the handle to the bottom of the door. The top of the trim fits around the base of the handle. An adhesive "trim lock" is positioned about half-way down. The bottom of the trim is held in place by either an adhesive trim lock, or a trim lock with two prongs inserted into a hole on the face of the door. Remove the trim by gently pulling the trim lock areas out and away from the door. When the trim is free from the door, gently pull the trim down and away from the base of the handle, using a slight side to side motion.

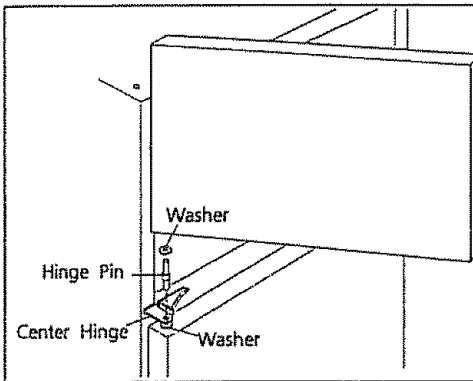
To reattach trim: Slide both trim locks out of trim. Insert the new adhesive trim locks contained in your literature pack. **NOTE:** Trim lock must be removed and installed by sliding OVER the two donut shaped areas. Install trim to handle by sliding over base of handle. Carefully align trim and press down at trim lock locations. Replace hole plug on opposite side. Use rubbing alcohol to remove any adhesive residue from old trim lock location(s).



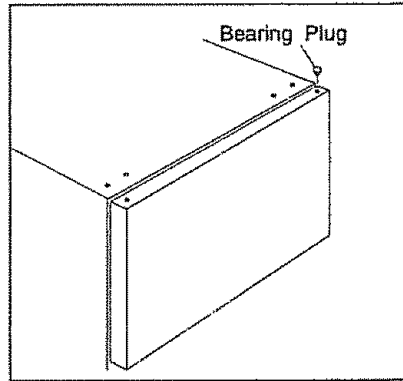
10. Turn center hinge upside down and secure to cabinet as shown, using the screws which are in the new holes. Install refrigerator door on lower hinge pin. Align door with edge of cabinet. Hold the door on front of cabinet.

Reversible Door

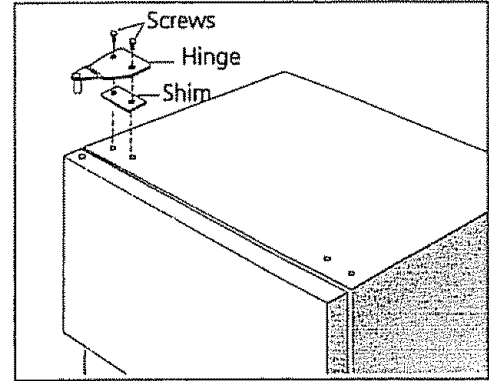
Instructions (continued)



11. Place original washer (some models) over hole in refrigerator door and line up hole in center hinge. Insert hinge pin through both holes. Place washer (some models) on hinge pin, then position freezer door on center hinge.



12. Remove plug from upper bearing of door and reinstall on opposite side.



13. Assemble upper hinge to top of cabinet and door. Use opposite set of holes. Do not completely tighten screws.

Align doors so there is a parallel gap between doors. Adjust doors to cabinet so gaskets seal but do not bind. Tighten upper and lower hinge screws.

Additional adjustment may be necessary after loading the door shelves. Return food, bottles, and other articles to doors. **Turn the refrigerator control on and to the previous setting.**

Avoid Service Checklist

Before calling for service, review this list. It may save you both time and expense. This list includes common occurrences that are not the result of defective workmanship or materials in this appliance.

OCCURRENCE

SOLUTION

RUNNING OF REFRIGERATOR

Refrigerator compressor does not run.

Refrigerator control is set to OFF. Turn on refrigerator control. See **Setting the Controls**.

Plug at wall outlet is disconnected. Be sure plug is tightly pushed into outlet.

House fuse has blown or circuit breaker has tripped. Check and/or replace fuse with a 15 amp time-delay fuse. Reset circuit breaker.

Power outage. Check house lights. Call local electric company.

Refrigerator runs too much or too long.

Refrigerator is larger than the previous one you owned. This is normal. Larger, more efficient units require longer running time.

Room or outside weather is hot. It is normal for the refrigerator to work longer under these conditions.

Automatic ice maker is operating (some models). Operation of the ice maker causes the refrigerator to run slightly more.

Doors are opened too frequently or too long. Warm air entering the refrigerator causes it to run more. Open the doors less often.

Refrigerator or freezer door may be slightly open. Make sure refrigerator is level. Keep food and containers from blocking door.

TEMPERATURES ARE TOO COLD OR TOO WARM

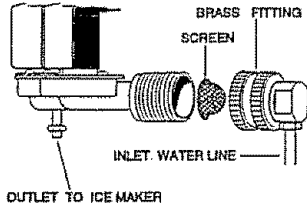
Temperatures in either compartment are too cold or too warm. See **Setting the Controls**.

OCCURRENCE

SOLUTION

AUTOMATIC ICE MAKER (some models)

Ice maker is not making any ice.



Ice maker wire signal arm is in "up" or OFF position. Move wire signal arm to "down" or ON position.

Household water line valve is not open. Turn on household water line valve.

Water supply valve in refrigerator is being blocked by foreign material. Unplug the refrigerator and turn off water supply. Slide refrigerator out and locate where water is connected to the valve. Unscrew the brass fitting and pull out the screen from inside the valve mesh. Clean the screen of foreign material. Replace screen and brass fitting and turn the water supply on; check for leaks. Plug in refrigerator and slide into place.

WATER/MOISTURE/FROST INSIDE REFRIGERATOR

Moisture collects on inside of refrigerator walls.

Weather is hot and humid which increases rate of frost buildup and internal sweating. This is normal. Be sure doors are sealed tightly. Open doors less often.

Water collects under drawer cover or in bottom of drawer.

Vegetables contain and give off moisture. Washed vegetables and fruits drain while in the drawer. This is normal. Pat rinsed vegetables dry with a towel before storing. Clean and dry crispers as necessary.

WATER/MOISTURE/FROST OUTSIDE REFRIGERATOR

Moisture forms on outside of refrigerator or between doors.

Door is slightly open, causing cold air from inside the refrigerator to meet warm air from outside.

This is normal in humid weather. When humidity is lower, the moisture should disappear. Set the Energy Saver to the **Reduce Exterior Moisture** position.

ODORS IN REFRIGERATOR/FREEZER

Interior needs to be cleaned. Clean interior with a sponge, warm water, and baking soda.

Food with strong odor is in refrigerator/freezer. Cover food tightly.

Ice has picked up odor or flavor from strong food stored in refrigerator or freezer. Cover foods tightly. Discard stale ice.

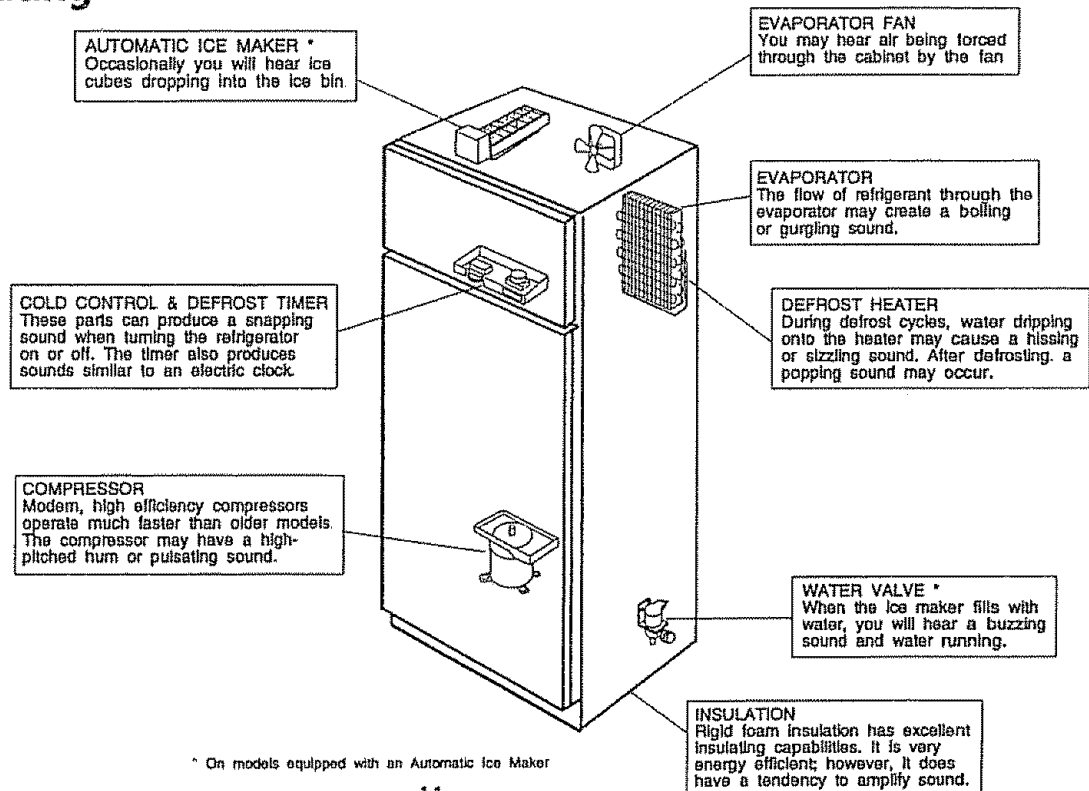
LIGHT BULB IS NOT ON

Light bulb is burned out. See "Replacing the Light Bulb" in **Care and Cleaning**.

Light switch is stuck. Light switch is located on the ceiling of the refrigerator compartment near the temperature control box. Push in light switch to release.

No electric current is reaching refrigerator. See **RUNNING OF REFRIGERATOR** above.

Normal Operating Sounds



* On models equipped with an Automatic Ice Maker

Sears Service

"We Service What We Sell" is our assurance you can depend on Sears for service ...and Sears service is nationwide. Your refrigerator has added value when you consider that Sears has service units nationwide, staffed with professional technicians specifically trained on Sears appliances and having parts, tools and equipment to insure that we meet our pledge to you... "We Service What We Sell."



Sears Maintenance Agreement

Maintain the value of your Kenmore® refrigerator with a Sears Maintenance Agreement. Sears refrigerators are designed, manufactured, and tested for years of dependable operation. Yet, any modern appliance may require service from time to time.

The Sears Maintenance Agreement

- Is your way to buy tomorrow's service at today's price.
- Eliminates repair bills resulting from normal use.
- Allows for as many service calls as required.
- Provides for service by professional Sears-trained technicians.
- Offers an annual preventive maintenance check-up at your request.

This maintenance agreement does not cover original installation, reinstallation, or damage resulting from external causes such as acts of God, abuse, theft, fire, flood, wind, lightning, freezing, power failure, power reduction, etc. Please ask a salesperson to see the agreement for all of the terms and conditions.

Refrigerator Warranty

Full One-Year Warranty on Refrigerator

For one year from date of purchase, when this refrigerator is operated and maintained according to the instructions provided in this Owner's Guide, Sears will repair this refrigerator, free of charge, if defective in material or workmanship.

Full Five-Year Warranty on Sealed Refrigeration System

For five years from the date of purchase, when this refrigerator is operated and maintained according to the instructions provided in this Owner's Guide, Sears will repair the sealed system (consisting of refrigerant, connecting tubing, and compressor motor), free of charge, if defective in material or workmanship.

The above warranty coverage applies only to refrigerators which are used for storage of food for private household purposes. Excludes original and replacement *Kenmore* Ice & Water filter cartridges (if equipped with the filter system). Original and replacement cartridges are warranted for 30 days (parts only).

Warranty service is available by contacting the NEAREST SEARS SERVICE CENTER/ DEPARTMENT in the United States. See the back page of this manual.

This warranty gives you specific legal rights, and you may have other rights which vary from state to state.

Sears, Roebuck and Co.
3333 Beverly Road
Hoffman Estates, IL 60179

Sears Service in Canada

Dear Customer:

In manufacturing this product, many steps have been taken to provide you with the highest quality. Unfortunately, errors or omissions occasionally occur. In the event you find a missing or defective part, please contact your nearest Sears store.

If you have any suggestions that would help us to improve our assembly/operation instructions or this product, please write them down, including the information listed below and mail to:

**Sears Canada, Inc. Attn: Buyer Dept. 646
222 Jarvis Street
Toronto, Ontario
M5B 2B8**

Purchased by:

NAME: _____

ADDRESS: _____

CITY: _____ PROV.: _____

POSTAL CODE: _____ PHONE: _____

MODEL No.: _____ SERIAL No.: _____

DATE OF PURCHASE ___/___/___ LOCATION OF PURCHASE: _____

COMMENTS: _____



CANADA — LIMITED WARRANTY



Refrigerators

Sears Canada Inc., warrants every new Kenmore refrigerator to be free from defects in material or workmanship. What Sears will do, free of charge, in case of defect:

What is covered?	How long warranted? (from date of sale)	Parts: At Sears' option, either repair or supply replacement part for:	Labour: Install repaired or replacement part for:
The Compressor	TEN (10) YEARS	TEN (10) YEARS	FIVE (5) YEARS
The Sealed System (consisting of refrigerant, evaporator, and condenser)	FIVE (5) YEARS	FIVE (5) YEARS	FIVE (5) YEARS
All other parts or adjustments	ONE (1) YEAR	ONE (1) YEAR	ONE (1) YEAR

Normal Responsibility of the Customer

The following items, since they are not manufacturing defects, are not included in the warranty, but are the responsibility of the customer:

- 1) Damage to finish after delivery.
- 2) Improper power supply, low voltage, or any defects in the house wiring system or appliance not connected to electric outlet.
- 3) Replacement of light bulbs.
- 4) Damage caused by moving the product from its original installation.
- 5) Service required as a result of alteration, abuse, fire, floods, or acts of God.
- 6) Providing adequate air circulation to the refrigerating system is available.
- 7) Proper use and care of product as listed in the customer's manual; proper setting of the controls.

If any service is required under this warranty, simply refer to your telephone white pages under "Sears Canada, Inc."

This warranty is in addition to any statutory warranty.

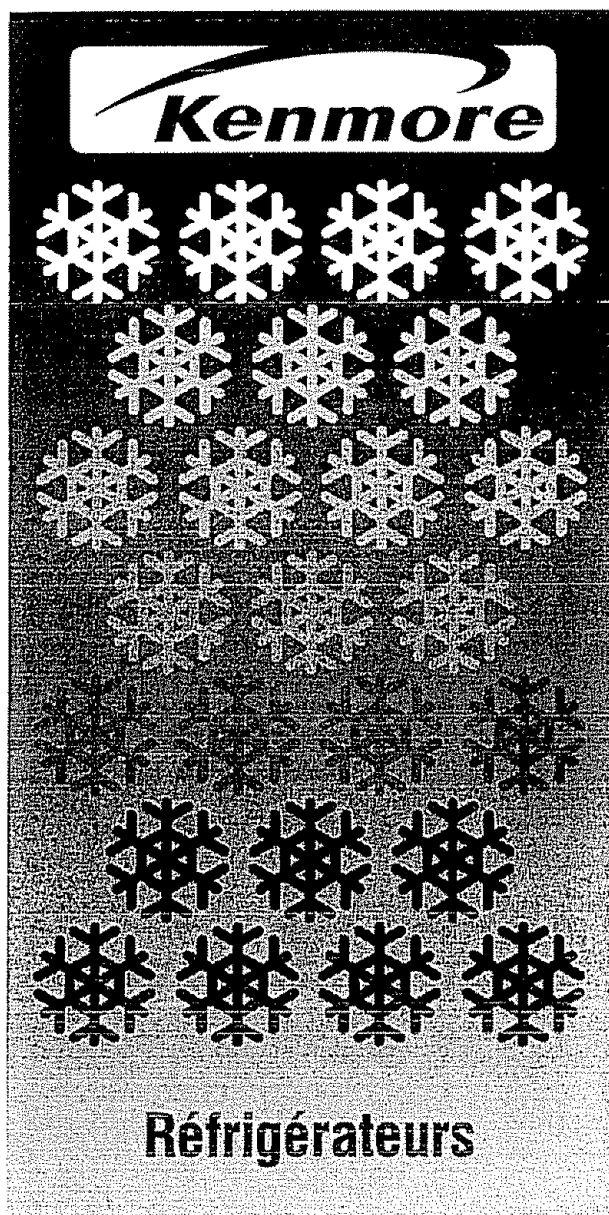
The above warranty covers Kenmore Refrigerators sold and operated in Canada only and shall not apply if the refrigerator is used for other than domestic purposes.

Sears Maintenance Agreement

Maintain the value of your Kenmore refrigerator with a Sears Maintenance Agreement.

SEARS CANADA INC. • Toronto, Canada • MSB 2B8

SEARS GUIDE DE L'UTILISATEUR



Réfrigérateurs

Inscrivez les numéros de série et de modèle	Couvre
Importantes mesures de sécurité	2
Pour bien commencer	3
Conseils pour économiser l'énergie	4
Réglage des commandes	4
Températures	4
Économiseur d'énergie (Energy Saver)	4
Humidité et condensation	4
Compartiment réfrigérateur	5
Entretien et nettoyage	6-7
Machine à glaçons automatique (certains modèles) ..	7
Inversion du sens des portes	8-9
Liste de contrôle anti-panne	10-11
Bruits normaux	11
Service après-vente Sears	12
Garantie	12
Service après-vente Sears - Canada	13
Garantie - Canada	14

Lisez et conservez ces instructions

Ce guide de l'utilisateur donne des instructions générales pour votre réfrigérateur et des caractéristiques s'appliquant à plusieurs modèles. Votre réfrigérateur peut ne pas avoir toutes les caractéristiques décrites. Ne utiliser le réfrigérateur que de la façon indiquée dans ce guide. Les instructions indiquées dans ce guide ne couvrent pas toutes les situations qui peuvent se présenter. Usez de bon sens et de prudence pour installer, faire fonctionner et entretenir cet appareil.

Inscrivez les numéros de série et de modèle

Inscrivez ci-dessous le numéro de modèle et le numéro de série de ce réfrigérateur. Ces numéros se trouvent sur la plaque signalétique située en haut de la paroi gauche du compartiment réfrigérateur.

N° de modèle: _____

N° de série: _____

Date de l'achat: _____

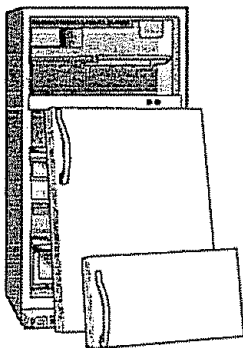
Importantes mesures de sécurité

Mise au rebut appropriée du Réfrigérateur/Congélateur

AVERTISSEMENT Le Risque d'enferment des enfants. Enferment et suffocation des enfants ne sont pas de problèmes du passé. Les réfrigérateurs ou Congélateurs mis au rebut ou non utilisés sont toujours dangereux même s'ils resteront pour "seulement quelques jours". Si vous vous débarrassez de votre réfrigérateur ou Congélateur, veuillez suivre les instructions ci-dessous pour éviter le risque d'accident.

AVANT DE VOUS DEBARASSER DE VOTRE VIEUX RÉFRIGÉRATEUR/ CONGÉLATEUR:

- * Enlever les portes.
- * Laisser les clayettes en place, pour éviter que les enfants ne puissent pas entrer facilement à l'intérieur.



AVERTISSEMENT Éviter tout risque de feu ou de choc électrique. Ne pas utiliser de cordon prolongateur ni fiche d'adaptation. N'enlever aucune des broches du cordon.

Prise murale mise à la terre



Ne jamais couper, enlever ou mettre hors circuit la broche de mise à la terre de cette fiche.

Cordon d'alimentation muni d'une fiche à trois broches avec mise à la terre

Lisez toutes ces instructions avant d'utiliser le réfrigérateur.

AVERTISSEMENT Pour votre sécurité

N'entreposez pas et n'utilisez pas d'essence ou autres vapeurs et liquides inflammables à proximité de cet appareil ou d'un autre. Lisez les étiquettes donnant les caractéristiques d'inflammabilité et autres avertissements.

AVERTISSEMENT Sécurité des enfants

- Détruisez le cartonnage, les sacs plastiques et tout matériau d'emballage immédiatement après déballage du réfrigérateur. Les enfants ne devraient jamais se servir de ces articles pour jouer. Les cartonnages recouverts de tapis, housses plastiques, couvertures ou matériaux extensibles risquent en effet de ne pas laisser passer d'air et d'asphyxier.
- Enlevez toutes les agrafes; elles risquent de blesser gravement et d'endommager les finis d'autres appareils et meubles.
- Un réfrigérateur ou congélateur ou encore une glacière vide risquent d'attirer dangereusement les enfants. **Enlevez la porte de tout appareil non utilisé, même s'il a été mis de côté.**

AVERTISSEMENT Électricité

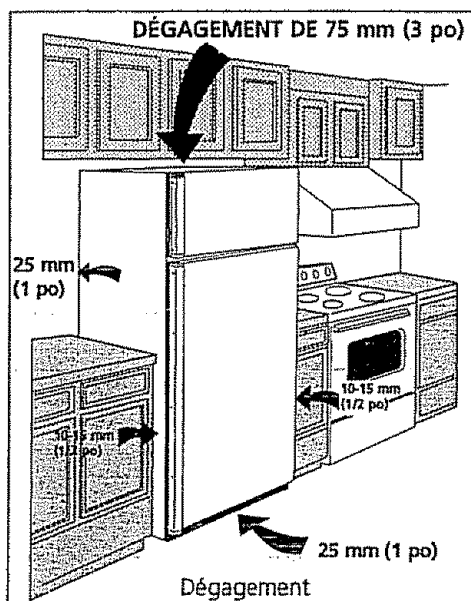
Ces directives doivent être suivies pour que les mécanismes de sécurité de ce réfrigérateur fonctionnent correctement.

- **Le réfrigérateur doit être branché dans sa propre prise de 115 volts, 60 Hz, CA seulement.** Le cordon de l'appareil est muni d'une fiche à trois broches avec mise à la terre pour éviter les décharges électriques. Elle doit être branchée directement dans une prise murale mise à la terre, à trois alvéoles, installée conformément aux codes et règlements locaux. Consultez un électricien qualifié. **N'UTILISEZ PAS DE CORDON PROLONGATEUR NI DE FICHE D'ADAPTATION.**
- Si la tension varie de 10% ou plus, les performances de votre réfrigérateur risquent d'en être affectées, et le compresseur endommagé. Un tel dommage n'est pas couvert par la garantie. Si vous soupçonnez que la tension est élevée ou basse, communiquez avec votre compagnie d'électricité.
- Pour éviter que le réfrigérateur ne soit accidentellement débranché, ne le branchez pas dans une prise commandée par un interrupteur mural ou un cordon de tirage.
- Ne pincez pas, ne tordez pas, ne nouez pas le cordon d'alimentation.

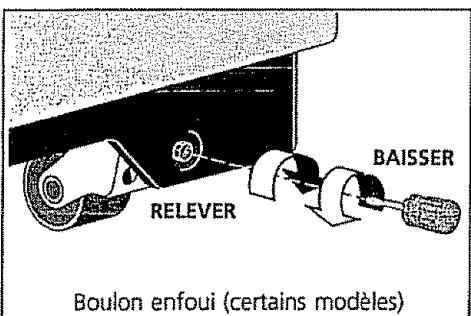
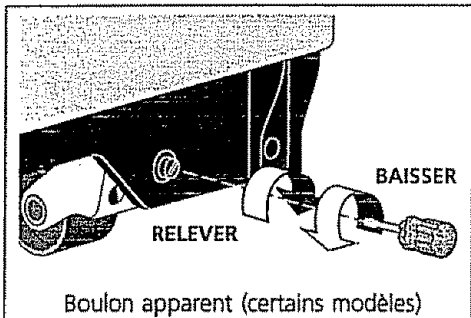
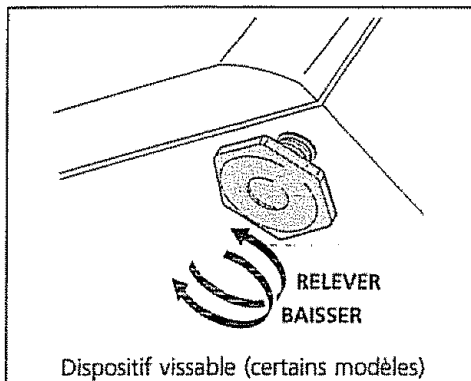
AVERTISSEMENT Autres précautions

- Ne débranchez pas le réfrigérateur en tirant sur le cordon. Saisissez toujours bien la fiche et sortez-la de la prise en tirant droit vers vous.
- Pour éviter les décharges électriques, débranchez le réfrigérateur avant de le nettoyer ou de remplacer une ampoule. **Remarque:** En mettant la commande sur «OFF» (ARRÊT), vous ne coupez pas l'alimentation de l'ampoule ni des autres composants électriques, mais du compresseur seulement.
- Ne faites pas fonctionner le réfrigérateur en présence de vapeurs explosives.
- Si votre réfrigérateur est doté d'une machine à glaçons automatique, évitez tout contact avec les pièces mobiles.

Pour bien commencer



Une bonne circulation d'air et une bonne mise à niveau assurent un fonctionnement efficace.



Avant de mettre en marche le réfrigérateur, prenez connaissance des points suivants:

Emplacement

- Choisissez un endroit près d'une prise mise à la terre. N'utilisez PAS de cordon prolongateur ni de fiche d'adaptation.
- Si possible, placez le réfrigérateur à l'écart de la lumière du soleil et d'une cuisinière, d'un lave-vaisselle ou autre source de chaleur.
- Installez le réfrigérateur sur un plancher de niveau et suffisamment solide pour soutenir un réfrigérateur plein.
- Tenez compte de l'approvisionnement en eau pour les modèles avec machine à glaçons automatique.

Circulation de l'air

- N'installez pas le réfrigérateur là où la température tombe en dessous de 15°C (60°F) ou s'élève au-dessus de 43°C (110°F). Le compresseur ne pourrait pas maintenir les bonnes températures.
- Laissez de la place autour de l'appareil pour assurer une bonne circulation de l'air. Laissez 25 mm (1 pouce) derrière et 75 mm (3 pouces) au-dessus du réfrigérateur.
- Si le réfrigérateur est encastré, laissez 10-15 mm (1/2 pouce) en plus de chaque côté pour faciliter l'installation.
- Pour que la circulation d'air soit la meilleure, relevez l'appareil de 25 mm (1 pouce) au-dessus du plancher, surtout si celui-ci est recouvert de moquette.

Ouverture des portes

Les portes doivent s'ouvrir et permettre un accès facile du réfrigérateur au comptoir.

- Ne placez pas le réfrigérateur de sorte que vous ayez à marcher autour des portes.
- Le sens des portes peut être inversé. Voyez Inversion du sens des portes.

Mise à niveau

Le réfrigérateur doit reposer fermement sur un plancher solide. Certains modèles sont équipés de dispositifs vissables. D'autres sont munis de roulettes avant fixes ou réglables. Si votre réfrigérateur n'a pas de roulette, vous pouvez en acheter chez votre marchand.

- **Pour régler les dispositifs vissables (certains modèles):** Penchez légèrement la caisse en arrière et relevez ou montez les boulons au besoin.
- **Pour régler les roulettes avant (certains modèles):** Tournez chacun des boulons à l'aide d'un tournevis, d'une clé à douille de 3/8 po ou d'un tourne-écrou.

Les roulettes avant doivent être **RELEVÉS**, juste assez pour que la porte se ferme facilement lorsqu'elle est à moitié ouverte. Réglez les roulettes d'un côté à l'autre.

Nettoyage

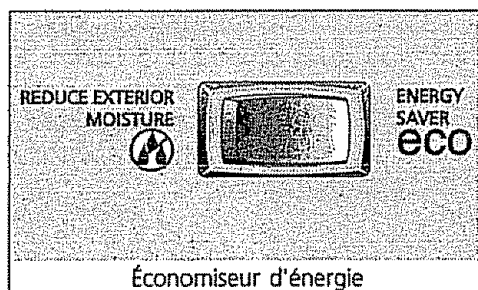
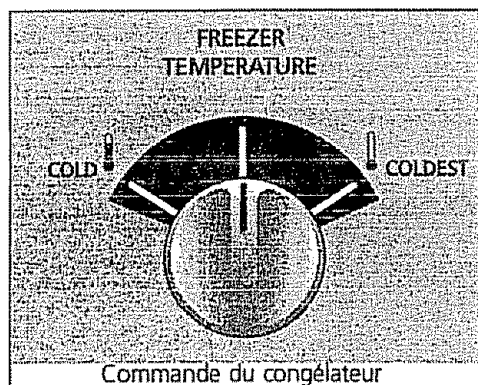
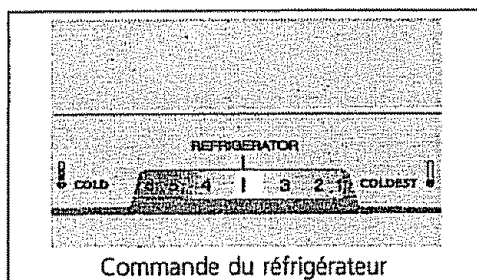
- Nettoyez l'intérieur, toutes les pièces amovibles et l'extérieur avec de l'eau tiède et un détergent doux. Essayez. **N'UTILISEZ PAS D'ABRASIF PUISSANT SUR CES SURFACES.**
- Pour enlever les étiquettes adhésives, n'utilisez pas de lame de rasoir ou autre instrument tranchant risquant de rayer le fini. Enlevez la colle restante du ruban ou de l'étiquette sur l'énergie avec un mélange d'eau tiède et de détergent doux, ou bien avec le côté collant du ruban ou de l'étiquette enlevée.
- **N'ENLEVEZ PAS LA PLAQUE SIGNALÉTIQUE.**

Conseils pour économiser l'énergie



- Placez le réfrigérateur dans l'endroit le plus froid de la pièce, éloigné de la lumière du soleil et des conduits de chauffage ou bouches de chaleur. Ne le placez pas près d'une cuisinière, d'un four ou d'un lave-vaisselle. Si cela n'est pas possible autrement, ajoutez une planche ou couche d'isolation entre les deux appareils pour aider le réfrigérateur à fonctionner plus efficacement et de façon plus économique.
- Mettez le réfrigérateur de niveau pour que les portes se ferment bien.
- Reportez-vous à ce guide pour connaître les réglages suggérés.
- Un nettoyage périodique du condenseur aidera le réfrigérateur à fonctionner plus efficacement. Voyez le chapitre Entretien et nettoyage.
- Ne surchargez pas le réfrigérateur et ne bloquez pas les sorties d'air froid. Sinon, le réfrigérateur devra fonctionner plus longtemps et utiliser plus d'énergie. Ne recouvrez pas les clayettes de papier aluminium, de papier ciré ou d'essuie-tout. Cela risque d'entraver la circulation d'air froid et de diminuer l'efficacité du réfrigérateur et donc la conservation des aliments.
- Recouvrez les aliments et essuyez les contenants avant de les placer au réfrigérateur, pour réduire la condensation à l'intérieur.
- Ouvrez la porte du réfrigérateur le moins possible. Prévoyez et placez ou prenez plusieurs articles en même temps et refermez aussitôt que possible.

Réglage des commandes



Période de refroidissement

Pour assurer une bonne conservation des aliments, laisser le réfrigérateur fonctionner, portes fermées, pendant au moins 8 à 12 heures avant de le remplir de nourriture.

Commandes de réfrigérateur et de congélateur

- Pour démarrer, régler le bouton de commandes au point médian pour une période d'essai de 24 heures.

Températures

- Après cette période d'essai de 24 heures, **réglage les commandes selon le besoin. Régler les températures d'un degré ou repère à la fois.** Pour obtenir des températures plus froides, tourner le bouton de commandes dans le sens COLD-EST (PLUS FROID). Pour des températures plus chaudes, tourner le bouton dans le sens COLD (FROID). La température augmentera ou diminuera, mais pas nécessairement à des intervalles de 1, 2 ou 3 degrés.

Le réglage de la température d'un compartiment peut nécessiter le réglage de l'autre compartiment.

- La commande du réfrigérateur change la température des **DEUX** compartiments. **Si la commande du réfrigérateur est arrêtée, le refroidissement s'arrête dans les deux compartiments.**
- La commande du congélateur ne modifie la température que dans le compartiment congélateur.

Pour maintenir les bonnes températures, un ventilateur fait circuler l'air dans les compartiments réfrigérateur et congélateur. Pour que l'air circule bien, ne pas bloquer pas les événements d'air froid avec des aliments

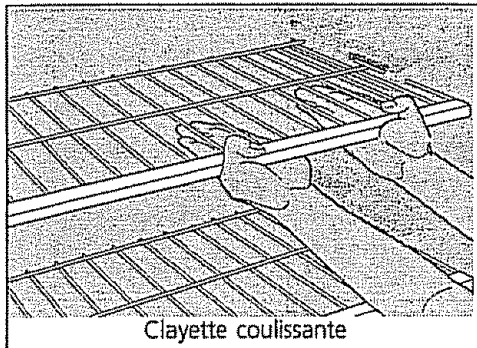
Économiseur d'énergie (Energy Saver) (certains modèles)

Si votre réfrigérateur est muni d'un sélecteur économiseur d'énergie (ENERGY SAVER), le laisser à ENERGY SAVER afin d'utiliser le moins d'énergie possible.

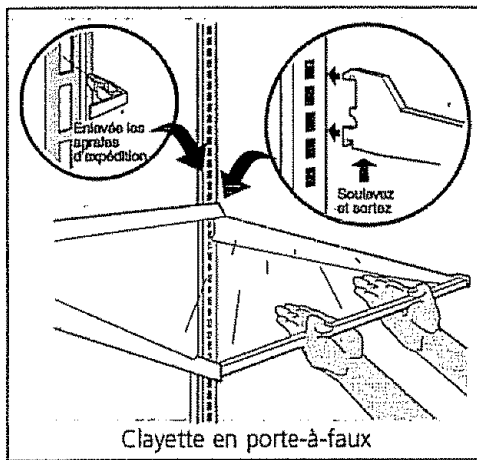
Humidité et condensation

En temps humide, ou si de la condensation apparaît sur la caisse entre les portes, régler sur REDUCE EXTERIOR MOISTURE (Réduction de la condensation extérieure) Un système de chauffage réchauffe les surfaces et permet à l'humidité de s'évaporer.

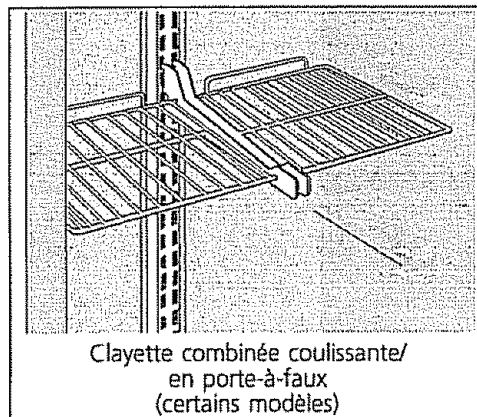
Compartiment réfrigérateur



Clayette coulissante



Clayette en porte-à-faux



Clayette combinée coulissante/
en porte-à-faux
(certains modèles)

Réglage des clayettes

Les clayettes du réfrigérateur se règlent facilement selon les besoins de chacun. Avant de les régler, enlevez toute la nourriture. Les agrafes d'expédition qui retiennent les clayettes peuvent être enlevées ou jetées.

Pour ajuster une clayette coulissante, tirez-la vers l'avant jusqu'à l'arrêt, puis soulevez le rebord avant et sortez la clayette. Remettez-la en place sur une série de glissières en inversant la méthode

Pour régler les clayettes en porte-à-faux (clayettes soutenues à l'arrière du réfrigérateur), soulevez l'arrière de la clayette et sortez celle-ci. Remettez la clayette en place en introduisant les crochets à l'arrière dans les fentes. Baissez et verrouillez en place.

Pour ajuster une clayette combinée coulissante/en porte-à-faux, enlevez-la en sortant le crochet de la fente arrière, et en couissant la clayette vers l'avant jusqu'à la position arrêt. Soulevez l'avant de la clayette et tirez-la. Remettez-la en place en la couissant sur ses supports puis en insérant le crochet dans la fente respective.

Rangement dans la contre-porte

Des balconnets permettent un rangement pratique des flacons, bouteilles et canettes. Les articles utilisés souvent sont ainsi rapidement choisis. Sur certains modèles, des balconnets permettent le rangement de flacons plastiques d'un gallon et de pots économiques, vendus maintenant. Certains balconnets sont amovibles et réglables pour améliorer l'efficacité.

Certain modèles ont des balconnets réglables qui peuvent être déplacés selon les besoins. Pour ce faire, les soulever tout droit. Placer le balconnet à la position voulue et le baisser en place sur les supports.

Le casier laitier est à une température plus élevée que le reste du compartiment. Il est prévu pour un entreposage à court terme des fromages, tartinades ou du beurre.

Bacs à fruits et à légumes

Les bacs, situés sous la clayette inférieure du réfrigérateur, permettent le rangement des fruits, légumes ou autres produits frais. Lavez les produits à l'eau claire et égouttez-les avant de les ranger. Les articles ayant une odeur forte ou à degré d'humidité élevé doivent être enveloppés avant d'être rangés.

Bac à viande (certains modèles)

Certains modèles ont un bac à viande qui peut être placé sous une clayette du réfrigérateur. Ce bac sert au rangement à court terme de la viande en vrac. Si la viande doit être conservée plus longtemps que 1 ou 2 jours, congelez-la.

Entretien et nettoyage

Gardez propres les compartiments réfrigérateur et congélateur afin d'éviter la formation de mauvaises odeurs. Essuyez immédiatement toute éclaboussure et nettoyez les deux compartiments au moins deux fois par an. N'utilisez **jamais** de tampons à récurer métalliques, de brosses, de nettoyants abrasifs ou de solutions alcalines fortes pour nettoyer votre réfrigérateur. **Ne lavez aucune** des pièces amovibles dans le lave-vaisselle.

Débranchez toujours le cordon d'alimentation de la prise murale avant de nettoyer. En tournant la commande sur «OFF» (ARRÊT), vous ne coupez pas l'alimentation électrique des commandes, de l'ampoule ou des autres composants électriques.

ATTENTION

Les objets humides collent aux surfaces froides. Ne touchez pas les surfaces froides du réfrigérateur avec les mains humides.

Nettoyage de l'intérieur

Nettoyez les surfaces à l'intérieur des compartiments réfrigérateur et congélateur avec une solution composée de 2 cuillères à soupe de bicarbonate de soude dans un litre d'eau tiède. Rincez et séchez soigneusement. **Essorez bien l'eau de l'éponge ou du chiffon avant de nettoyer autour des commandes, de l'ampoule ou de toute pièce électrique.**

Lavez les pièces amovibles comme clayettes et bacs avec une solution à base de bicarbonate de soude ou d'eau tiède et de détergent doux. **N'UTILISEZ PAS D'ABRASIF AGRESSIF SUR CES SURFACES.** Rincez et séchez soigneusement. Nettoyez le joint des portes avec de l'eau savonneuse, rincez à l'eau claire et essuyez. Pour enlever les étiquettes adhésives, ne vous servez pas de lame de rasoir ou autre instrument tranchant risquant de rayer la surface. Enlevez la colle restante du ruban ou de l'étiquette sur l'énergie avec un mélange d'eau tiède et de détergent doux, ou avec le côté collant du ruban ou de l'étiquette enlevée. **N'ENLEVEZ PAS LA PLAQUE SIGNALÉTIQUE.**

ATTENTION

Pour ne pas endommager le réfrigérateur et assurer un fonctionnement aussi efficace que possible, nettoyez régulièrement le condenseur.

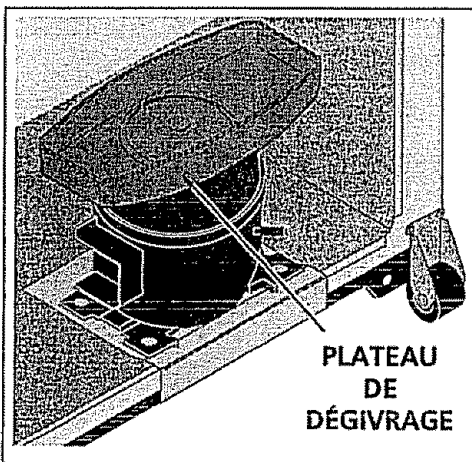
Nettoyage de l'extérieur

Nettoyez la caisse et les poignées avec de l'eau tiède et un détergent liquide doux. Rincez bien et séchez avec un chiffon doux.

Pour déplacer le réfrigérateur, tirez-le vers vous. Ne l'avancez pas par à-coups d'un côté et de l'autre car cela risque de déchirer ou de déformer le revêtement du sol. Si le réfrigérateur est doté d'une machine à glaçons automatique, ne tirez pas le réfrigérateur au-delà des raccords de tuyauteries.

De temps en temps, nettoyez le condenseur (fils et tubes noirs à l'arrière du réfrigérateur). À l'aide d'un aspirateur et de son accessoire de dépoussiérage, nettoyez les serpentins pour enlever la poussière. Ne laissez pas la charpie ou la poussière s'y accumuler.

Le plateau de dégivrage est situé à l'arrière du réfrigérateur, au-dessus du compresseur. Le plateau doit être nettoyé régulièrement. Essuyez-le avec un chiffon humide.



Remplacement de l'ampoule

Pour remplacer l'ampoule:

1. Débranchez le réfrigérateur.
2. Portez des gants pour vous protéger au cas où l'ampoule se briserait.
3. Remplacez l'ampoule par une autre de même puissance, pour appareil électroménager.
4. Branchez le réfrigérateur.

Entretien et nettoyage

(suite)

Conseils de vacances et déménagement

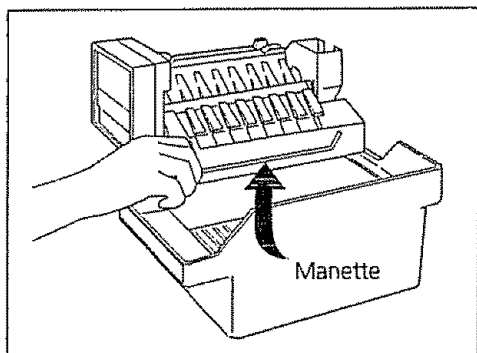
Courtes vacances: Laissez le réfrigérateur fonctionner pendant des congés de 3 semaines ou moins. Avant de partir, utilisez toutes les denrées périssables du compartiment réfrigérateur. Enveloppez et rangez les autres denrées dans le congélateur. Arrêtez la machine à glaçons, même si vous ne partez que quelques jours.

Longues vacances: Enlevez tous les aliments et la glace si vous partez un mois ou plus. Tournez la commande sur <<OFF>> (ARRÊT) et débranchez le réfrigérateur. Arrêtez la machine à glaçons et tournez la soupape d'eau à la position fermée. Dégivrez et nettoyez l'intérieur à fond. Laissez les deux portes ouvertes pour éviter odeurs et moisissures. Au besoin, bloquez les portes pour qu'elles restent ouvertes.

Déménagement: Suivez ces consignes pour éviter tout dommage:

- Enlevez toute la nourriture et autres articles des deux compartiments. Videz le bac à glaçons. Dégivrez et nettoyez l'intérieur à fond.
- Si vous utilisez un diable, chargez le réfrigérateur par le côté.
- Remontez aussi haut que possible les dispositifs vissables ou les roulettes avant (certains modèles) pour les protéger.
- La caisse doit être bien protégée et manipulée avec soin. **NE LA LAISSEZ PAS TOMBER.**

Machine à glaçons automatique



Si votre réfrigérateur possède une machine à glaçons, il fournira continuellement de la glace pour vos besoins normaux. La machine à glaçons automatique est un accessoire qui peut être installé en tout temps sur la plupart des modèles. Prenez contact avec votre marchand pour l'installation.

Après avoir raccordé la tuyauterie, ouvrez la soupape d'arrivée d'eau. Placez le bac à glaçons sous la machine à glaçons en le poussant aussi loin que possible. Abaissez la manette à sa position basse («down») ou position de MARCHE («ON»). En raison des nouveaux raccordements de tuyauterie, la première production de cubes de glace peut être décolorée ou avoir un goût désagréable. Jetez ces glaçons jusqu'à ce qu'ils soient sans couleur et sans arrière goût.

Pour arrêter la machine à glaçons, levez la manette jusqu'à ce qu'un déclic se fasse entendre et qu'elle se verrouille en position haute («up») ou position d'ARRÊT («OFF»). La machine à glaçons cesse automatiquement de fonctionner lorsque le bac est plein. Si votre modèle comporte une clayette de congélateur réglable, placez la clayette de sorte que la manette touche la glace lorsque le bac est plein.

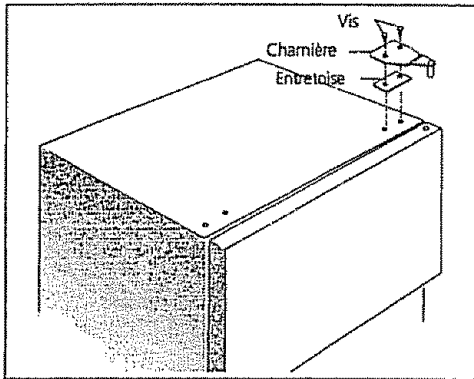
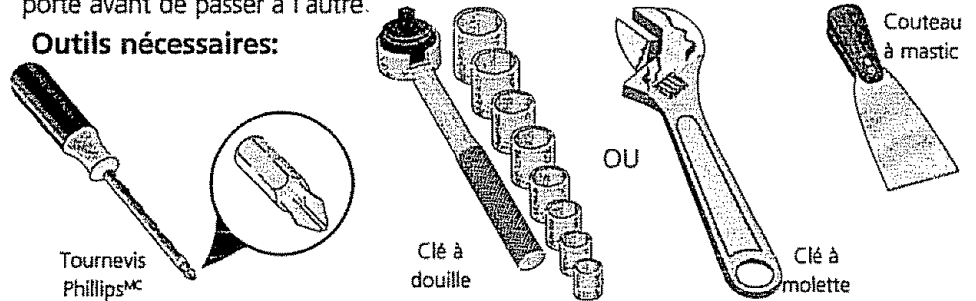
Conseils pour la machine à glaçons

1. Les glaçons conservés trop longtemps peuvent développer un goût douteux. Videz le bac et assurez-vous que la manette est en position de MARCHE ou basse. La machine à glaçons va alors produire d'autres glaçons.
2. Secouez de temps en temps le bac pour séparer les glaçons.
3. Conservez la manette à la position haute ou d'ARRÊT jusqu'à ce que le réfrigérateur soit raccordé à l'arrivée d'eau ou chaque fois que l'arrivée d'eau est coupée.
4. **Certains bruits de fonctionnement sont normaux.** Ils sont créés par:
 - Le fonctionnement du moteur
 - Les glaçons qui se décollent du moule
 - Les glaçons qui tombent dans le bac
 - L'eau qui coule
 - La soupape d'arrivée d'eau qui s'ouvre et se ferme.Pour obtenir plus de renseignements sur le fonctionnement, reportez-vous à la page Bruits normaux.
5. Lavez le bac à glaçons dans de l'eau chaude additionnée d'un détergent doux, rincez et séchez.
6. Arrêtez la machine à glaçons lorsque vous nettoyez le congélateur ou pour de courtes vacances.
7. Lorsque la machine à glaçons est arrêtée pour une longue période, fermez la soupape d'arrivée d'eau.

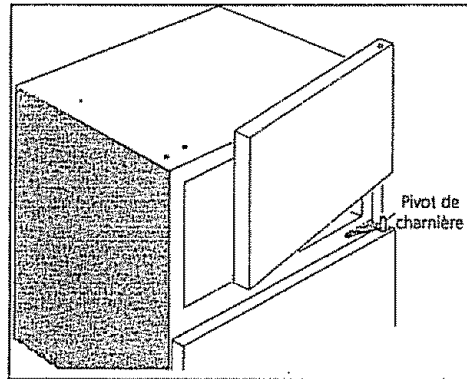
Inversion du sens des portes

Votre réfrigérateur est à charnières amovibles. Les portes peuvent être changées de côté à tout moment. Une enveloppe contenant des bouchons supplémentaires en plastique est fournie avec certains modèles. Tournez la commande de température sur «OFF» (ARRÊT). Enlevez toute la nourriture, les bouteilles et autres articles rangés dans la porte. **Commencez par la porte du congélateur.** Enlevez complètement une porte avant de passer à l'autre.

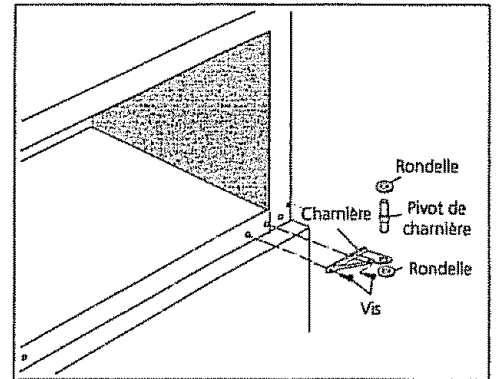
Outils nécessaires:



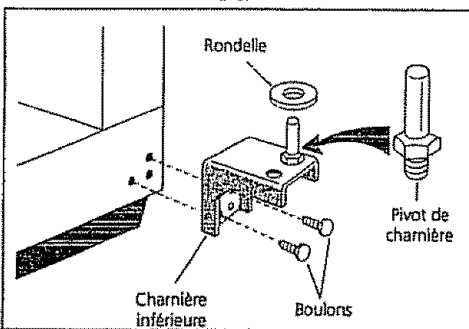
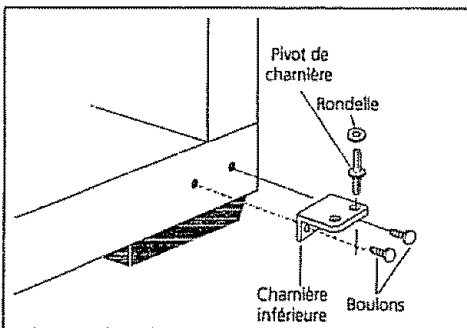
1. Enlevez le couvre-charnière en haut de la caisse (certains modèles). La porte du congélateur étant fermée, enlevez les deux vis fixant la charnière supérieure à la caisse. Relevez la charnière et retirez-la. **Conservez vis, charnière et entretoise pour la réinstallation.**



2. Ouvrez la porte du congélateur, suffisamment pour la soulever de la charnière centrale.

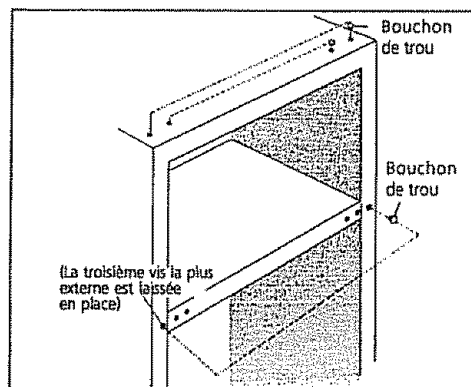


3. La porte du réfrigérateur étant fermée, retirez le pivot de la charnière centrale. (Notez la disposition des rondelles inférieure et supérieure (certains modèles) du pivot de charnière. Les rondelles doivent être assemblées plus tard de la même façon.) Ouvrez la porte du réfrigérateur, suffisamment pour la soulever de la charnière inférieure. Enlevez les deux vis retenant la charnière centrale. La troisième vis, la plus externe, sous la charnière centrale, doit être laissée en place. **Conservez charnière, pivot et rondelles pour la réinstallation.** Réinstallez les vis dans les trous d'origine

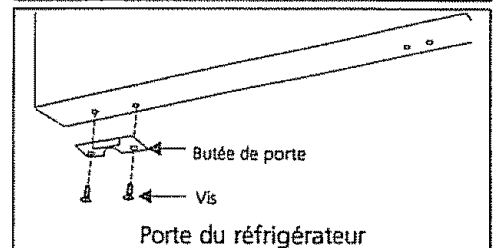
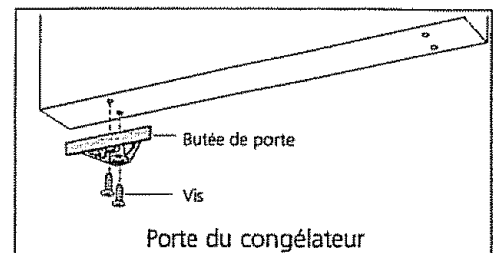


4. Enlevez le pivot de charnière, la charnière et les deux boulons fixant la charnière inférieure. **Conservez charnière, pivot de charnière, rondelle (certains modèles) et boulons pour la réinstallation.**

Remarque: Certains modèles ont des poignées en creux, dans le côté de la porte. Sur ces modèles, seules les charnières auront à être inversées, une poignée étant prévue de chaque côté des portes.

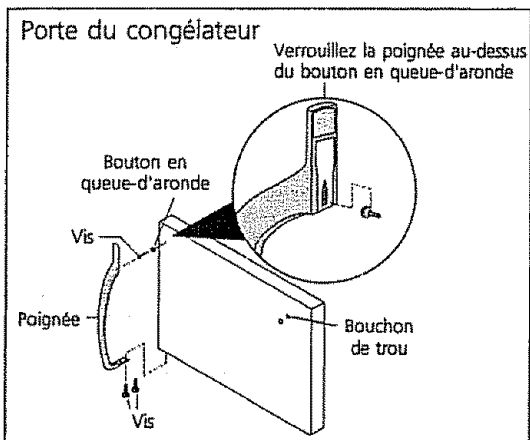


5. Enlevez doucement les bouchons des trous de charnière au centre et en haut de la caisse et réinstallez-les dans l'autre série de trous.

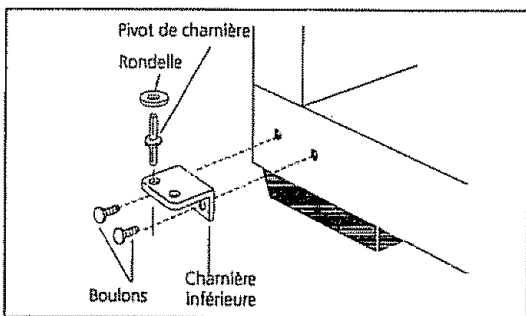


6. Une fois les poignées enlevées (voir étapes 7 et 8), enlevez les butées du dessous des portes du congélateur et du réfrigérateur et réinstallez-les de l'autre côté.

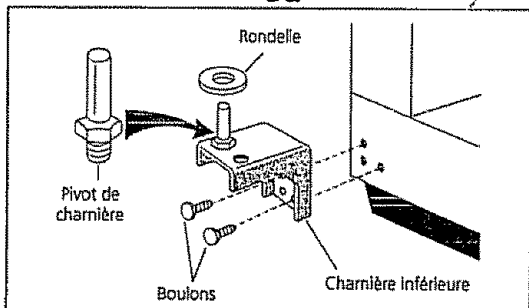
Inversion du sens des portes (suite)



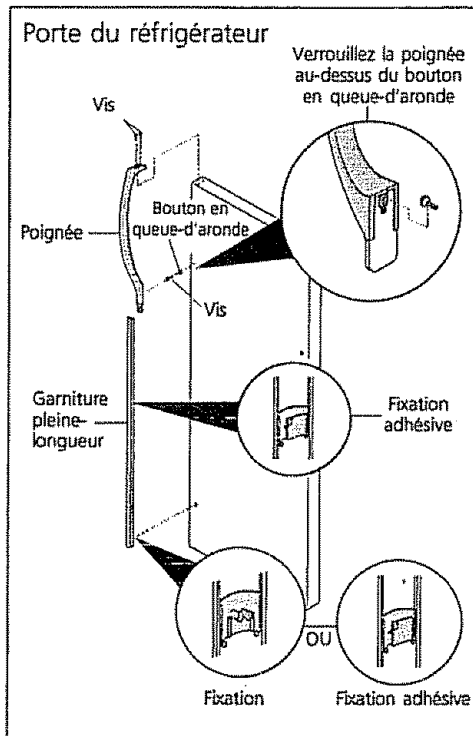
7. (Au besoin, consultez le paquet de documentation.) Inversez les poignées, les portes étant enlevées. Enlevez les deux vis fixant la poignée au dessous de la porte du congélateur. Déplacez le bas de la poignée pour l'éloigner de la porte et faites coulisser la poignée à la verticale vers le bas, pour la sortir du bouton en queue-d'aronde. Retirez la vis et le bouton en queue d'aronde, montez-les de l'autre côté, et déplacez les bouchons de trou correspondant à l'opposé. Commencez avec la poignée décalée de la porte. Placez le haut de la poignée au-dessus du bouton en queue-d'aronde, déplacez la poignée à la verticale et poussez-la en place vers le haut pour la verrouiller. Fixez le bas de la poignée avec les vis.



OU



9. À l'aide d'un couteau à mastic, enlevez les bouchons en plastique noir (non illustrés) de l'avant de la base et réinstallez-les dans la série opposée des trous de la charnière inférieure. Montez la charnière inférieure à la caisse. Installez le pivot de charnière dans le trou opposé à celui duquel il a été enlevé. Installez la rondelle (certains modèles) sur le pivot de charnière inférieure et introduisez les boulons sans les serrer. Les charnières doivent rester lâches contre la caisse pour aligner la porte.



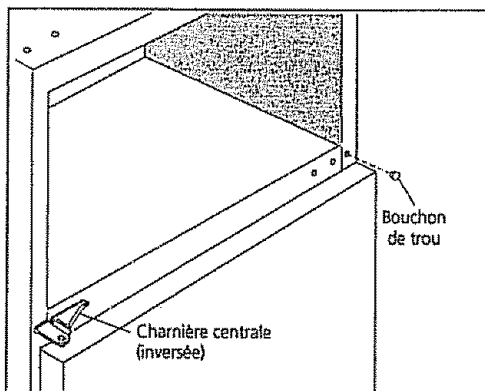
8. (Au besoin, consultez le paquet de documentation.) Pour enlever la poignée: Tirez vers le bas pour faire coulisser la moulure de la partie inférieure de la poignée. Enlevez les deux vis fixant la poignée au dessus de la porte du réfrigérateur. Tirez vers vous la partie supérieure de la poignée de la porte et faites-la coulisser vers le bas à la verticale pour la dégager du bouton en queue d'aronde. Enlevez la vis et le bouton en queue-d'aronde et installez-les de l'autre côté, en déplaçant les bouchons des trous correspondants vers l'autre côté. Inversez les instructions pour remettre la poignée en place. Commencez avec la poignée décalée de la porte. Placez le bas de la poignée au-dessus du bouton en queue-d'aronde, déplacez la poignée à la verticale et poussez-la en place vers le bas pour la verrouiller. Fixez le haut de la poignée avec les vis. Remplacez la moulure.

Dépose de la garniture (modèles à garniture pleine-longueur seulement):

Dans certains modèles, la porte du réfrigérateur comporte une garniture

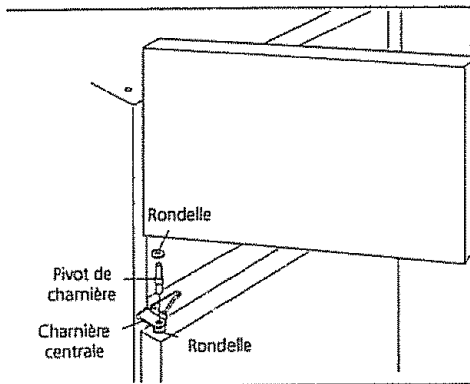
pleine-longueur qui va du dessous de la poignée jusqu'au dessous de la porte. Le sommet de la garniture pénètre dans la base de la poignée. Une fixation adhésive se trouve à environ mi-hauteur. Le dessous de la garniture est maintenu en place par une fixation adhésive ou par une fixation à deux broches insérées dans un trou sur le devant de la porte. Enlevez la garniture en la séparant doucement de la porte aux zones de fixation. Une fois la moulure dégagée de la porte, tirez délicatement la moulure vers le bas en l'éloignant du bas de la poignée, avec un léger mouvement de va et vient.

Pour fixer la garniture: Sortez de la garniture les deux fixations. Insérez les nouvelles fixations adhésives contenues dans votre documentation. **Remarque:** La fixation doit être enlevée et installée en la coulisant au-dessus des deux zones en forme de beignet. Installez la moulure de la poignée en la faisant coulisser sur la partie inférieure de la poignée. Alignez soigneusement la garniture et exercez une pression aux endroits des fixations. Remettez le bouchon de trou de l'autre côté. à l'aide d'alcool à friction, enlevez tout résidu adhésif des endroits où se trouvaient les fixations.

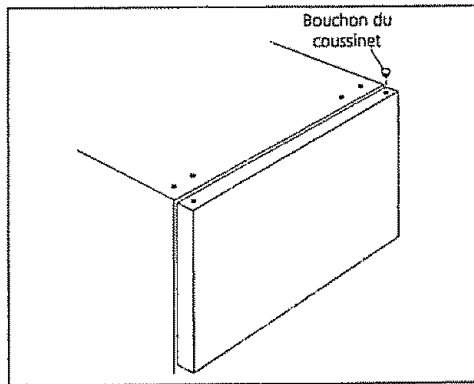


10. Inversez la charnière centrale et fixez-la sur la caisse, comme l'illustre la figure, en utilisant les vis qui sont dans les nouveaux trous. Installez la porte du réfrigérateur sur le pivot de charnière inférieure. Alignez la porte avec le bord de la caisse. Tenez la porte devant la caisse.

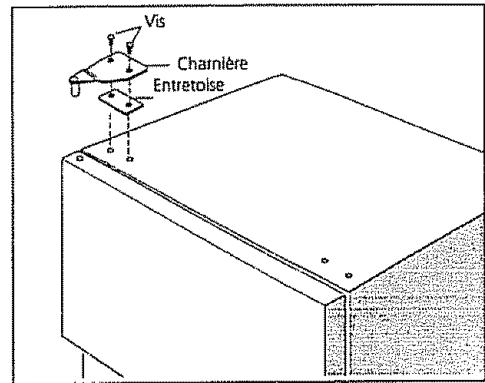
Inversion du sens des portes (suite)



1. Placez la rondelle (certains modèles) sur le trou de la porte du réfrigérateur et alignez avec le trou de la charnière centrale. Insérez le pivot de la charnière à travers les deux trous. Placez la rondelle (certains modèles) sur le pivot de la charnière, puis placez la porte du congélateur sur la charnière centrale.



12. Enlevez le bouchon du coussinet supérieur de la porte et réinstallez-le de l'autre côté.



13. Montez la charnière supérieure sur le dessus de la caisse et de la porte. Utilisez les trous du côté opposé. Ne serrez pas les vis complètement.

Alignez les portes pour qu'il y ait un espace parallèle entre elles. Réglez-les par rapport à la caisse de sorte que le joint d'étanchéité ferme mais sans cintrer. Serrez les vis des charnières supérieure et inférieure.

Un réglage supplémentaire peut être nécessaire après avoir rangé les aliments dans les compartiments. Remettez denrées, flacons et autres articles dans les portes. **Remettez le réfrigérateur en marche, aux réglages précédents.**

Liste de contrôle anti-panne

Avant d'appeler un agent de service, consultez cette liste. Vous pourriez économiser temps et argent. Cette liste décrit les situations courantes qui ne sont causées ni par un défaut de fabrication ni par un matériau défectueux.

PROBLÈME

SOLUTION

FONCTIONNEMENT DU RÉFRIGÉRATEUR

Le compresseur du réfrigérateur ne marche pas.

La commande de température est sur «OFF» (ARRÊT). Réglez-la. Voyez **Réglage des commandes**.

La fiche de la prise murale est débranchée. Assurez-vous qu'elle est bien enfoncée dans la prise.

La fusible ou le circuit a sauté ou s'est déclenché. Vérifiez et/ou remplacez le fusible par un fusible de 15 A à action différée. Réenclenchez le coupe-circuit.

Panne de courant. Vérifiez les lumières de la maison. Appelez la compagnie d'électricité de votre région.

Il fait chaud à l'intérieur ou à l'extérieur de la maison. Il est normal que le réfrigérateur fonctionne plus longtemps.

Le réfrigérateur fonctionne trop souvent ou trop longtemps.

Le réfrigérateur est plus volumineux que ceux du réfrigérateur que vous possédiez auparavant. Ceci est normal. Des appareils plus volumineux et plus efficaces fonctionnent plus longtemps.

La machine à glaçons automatique (certains modèles) fonctionne. Ceci entraîne un surcroît de fonctionnement du réfrigérateur.

Les portes sont ouvertes trop souvent ou trop longtemps. De l'air chaud rentre dans le réfrigérateur. Ouvrez les portes moins souvent.

La porte du réfrigérateur ou celle du congélateur est peut-être légèrement ouverte. Assurez-vous que le réfrigérateur est de niveau. Empêchez nourriture et récipients de bloquer les portes. Voyez **ouverture/fermeture des portes**.

LES TEMPÉRATURES SONT TROP BASSES OU ÉLEVÉES.

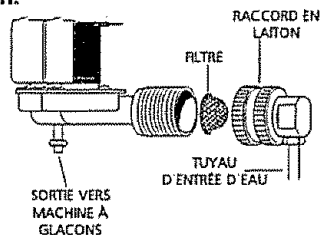
La température du congélateur ou du réfrigérateur est trop élevée. Voyez **Réglage des commandes**.

PROBLÈME

SOLUTION

MACHINE À GLAÇON AUTOMATIQUE (certains modèles)

La machine à glaçons ne produit aucun glaçon.



La manette est en position «haute» ou d'ARRÊT. Déplacez la manette en position «basse» ou de MARCHÉ.

La soupape d'alimentation en eau de la maison n'est pas ouverte. Ouvrez-la.

La soupape d'arrivée d'eau du réfrigérateur est obstruée par des corps étrangers. Débranchez le réfrigérateur et fermez l'eau. Sortez le réfrigérateur et localisez l'endroit où la conduite d'eau est raccordée à la soupape d'arrivée. Dévissez le raccord en laiton et retirez le filtre à l'intérieur de la soupape. Nettoyez le filtre, remplacez-le ainsi que le raccord en laiton et ouvrez l'eau; vérifiez s'il y a des fuites d'eau. Branchez le réfrigérateur et remettez-le en place.

EAU/HUMIDITÉ/GIVRE À L'INTÉRIEUR DU RÉFRIGÉRATEUR

Formation d'humidité à l'INTÉRIEUR des parois du réfrigérateur.

Le temps est chaud et humide, ce qui augmente l'accumulation de givre et la condensation des parois intérieures. Ceci est normal.

De l'eau s'accumule sous le dessous du couvercle des bacs.

Les légumes contiennent et libèrent de l'humidité. Il n'est pas rare de voir de la condensation sous le couvercle des bacs.

EAU/HUMIDITÉ/GIVRE À L'EXTÉRIEUR DU RÉFRIGÉRATEUR

Formation d'humidité à l'EXTÉRIEUR du réfrigérateur ou entre les portes.

Le temps est humide. Ceci est normal. Lorsque l'humidité est basse, la condensation disparaît. Réglez l'économiseur d'énergie à la position de Réduction de la condensation extérieure.

La porte est légèrement ouverte, d'où rencontre de l'air froid venant de l'intérieur du réfrigérateur avec l'air chaud ambiant. Fermez bien les portes.

ODEURS DANS LE RÉFRIGÉRATEUR.

L'intérieur a besoin d'être nettoyé. Nettoyez avec une éponge, de l'eau tiède et du bicarbonate de soude.

Les aliments dégageant une odeur forte se trouvent dans le réfrigérateur.

La glace a pris mauvaises odeur et saveur des aliments rangés dans le réfrigérateur ou le congélateur. Recouvrez les aliments de façon étanche. Jetez les glaçons qui ont mauvais goût. La machine va produire de nouveaux glaçons.

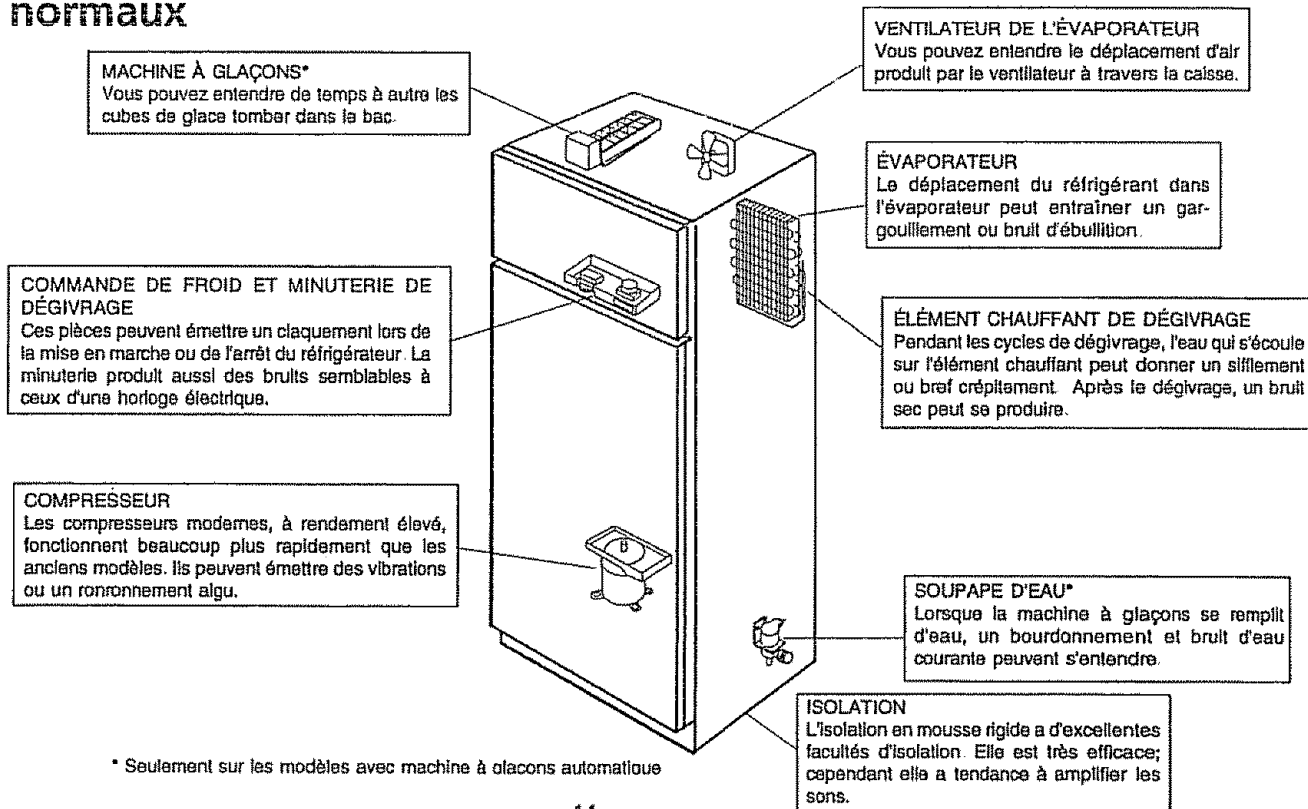
L'AMPOULE NE S'ALLUME PAS.

L'ampoule est grillée. Voyez Remplacement de l'ampoule sous **Entretien et nettoyage**.

L'interrupteur est bloqué. Celui-ci est situé au plafond du compartiment réfrigérateur près du boîtier de commande de la température. Appuyez sur l'interrupteur pour le débloquent.

Il n'y a pas de courant qui arrive au réfrigérateur. Assurez-vous que le réfrigérateur est branché. Vérifiez les lumières de la maison. Appelez la compagnie d'électricité de votre région.

Bruits normaux



Service après-vente Sears



"Nous réparons ce que nous vendons" est assurance sur laquelle vous pouvez compter chez Sears ... et le service après-vente Sears est offert dans tout le pays. Votre réfrigérateur est encore plus précieux lorsque vous considérez que Sears dispose d'établissements de service après-vente dans tout le pays, dotés de techniciens professionnels spécialement formés pour les appareils Sears et possédant pièces, outillage et équipement pour que nous puissions répondre à notre formule ... "Nous réparons ce que nous vendons".

Contrat d'entretien Sears

Maintenez la valeur de votre réfrigérateur Kenmore® avec un contrat d'entretien Sears. Les réfrigérateurs SEARS sont conçus, fabriqués et mis à l'essai pendant des années pour vous offrir un fonctionnement fiable. Cependant, comme tout appareil moderne, il peut de temps à autre avoir besoin de réparation.

Le contrat d'entretien Sears:

- Vous permet de bénéficier des réparations de demain au prix d'aujourd'hui.
- Supprime les factures de réparation résultant d'un usage normal.
- Vous permet de faire appel au technicien aussi souvent qu'il est nécessaire.
- Vous offre le service de techniciens professionnels formés par Sears.
- Vous propose un contrôle d'entretien préventif, sur demande.

Ce contrat d'entretien ne couvre pas l'installatin de départ, la réinstallation ou les dommages résultant de causes externes telles que actes indépendants de notre volonté, emploi abusif, vol, incendie, inondation, vent, foudre, gel, panne de courant, baisse de tension, etc. Veuillez demander à un vendeur de vous présenter le contrat pour prendre connaissance de toutes les conditions.

Garantie

Garantie complète de un an sur le réfrigérateur

Pendant un an à partir de la date d'achat, si ce réfrigérateur fonctionne et est entretenu selon les instructions du guide de l'utilisateur, Sears réparera ce réfrigérateur, gratuitement, en cas de défaut de matériau ou de fabrication.

Garantie complète de cinq ans sur le système de réfrigération scellé

Pendant cinq ans à partir de la date d'achat, si ce réfrigérateur fonctionne et est maintenu selon les instructions du guide de l'utilisateur, Sears réparera gratuitement le système de réfrigération scellé (comprenant le réfrigérant, la tuyauterie et le moteur du compresseur), en cas de défaut de matériau ou de fabrication.

La garantie ci-dessus ne s'applique qu'à des réfrigérateurs utilisés à fins domestiques. Ne couvre pas les pièces d'origine et le remplacement des filtres d'eau et de glaçons Kenmore (disponibles sur certains modèles). Les filtres d'origine et de remplacement sont garantis 30 jours (pièces détachées uniquement).

Le service en vertu de la garantie est disponible en contactant le CENTRE DE SERVICE/DÉ SEARS PLUS PROCHE aux États - Unis. Voir la page postérieure de ce manuel.

Cette garantie vous donne des droits précis vis-à-vis de la loi. Vous pouvez aussi bénéficier d'autres droits qui peuvent varier d'une province à l'autre.

Sears, Roebuck and Co.
3333 Beverly Road
Hoffman Estates, IL 60179

Service après-vente Sears (Canada)

Cher client,

Lors de la fabrication de ce produit, de nombreuses étapes ont été prises pour vous offrir la plus haute qualité. Malheureusement, il peut parfois se glisser des erreurs ou omissions. S'il arrivait qu'il manque une pièce ou qu'une pièce soit défectueuse, prenez contact avec le magasin Sears le plus proche de chez vous.

Si vous avez des suggestions qui pourraient nous aider à améliorer nos instructions de montage et de fonctionnement, ou ce produit lui-même, veuillez les écrire en notant les informations ci-dessous et les envoyer par la poste à:

Sears Canada, Inc. À l'attention de: Service acheteurs 646
222 Jarvis Street
Toronto, Ontario
M5B 2B8

Acheté par:

NOM: _____

ADRESSE: _____

VILLE: _____ PROVINCE: _____

CODE POSTAL: _____ N° DE TÉL.: _____

N° DE MODÈLE: _____ N° DE SÉRIE: _____

DATE DE L'ACHAT ____/____/____ ACHETÉ À QUEL ENDROIT: _____

COMMENTAIRES: _____

GARANTIE LIMITÉE — CANADA

Réfrigérateurs



Sears Canada Inc. garantit tous les réfrigérateurs Kenmore neufs contre tout vice de matériau ou de fabrication. En cas de défaut, voici ce que Sears effectuera gratuitement:

Cette garantie couvre:	Durée de la garantie (à compter de la date d'achat)	Pièces: Au choix de Sears, réparation ou remplacement de la pièce défectueuse pendant:	Main d'oeuvre: Installation de la pièce réparée ou de la pièce de rechange pendant:
Le compresseur	DIX (10) ANS	DIX (10) ANS	CINQ (5) ANS
Le système scellé (réfrigérant, évaporateur et condenseur)	CINQ (5) ANS	CINQ (5) ANS	CINQ (5) ANS
Toutes les autres pièces, tous les autres réglages	UN (1) AN	UN (1) AN	UN (1) AN

Responsabilité normale du consommateur

Les points suivants, qui ne sont pas des défauts de fabrication, ne sont pas compris dans la garantie, mais sont à la charge du client:

- 1) Dommages du fini après livraison.
- 2) Alimentation électrique impropre, faible tension, tout défaut du câblage de la maison, appareil non branché à une prise électrique.
- 3) Remplacement des ampoules électriques.
- 4) Dommages causés par le déplacement de l'appareil.
- 5) Réparations à la suite de modifications, usage abusif, incendie, inondation ou causes naturelles.
- 6) Bonne circulation d'air au système de réfrigération.
- 7) Utilisation et entretien appropriés, comme il est indiqué dans le guide, bon réglage des commandes.

Si vous avez besoin des services couverts par la présente garantie, veuillez consulter les pages blanches sous «Sears Canada, Inc.».

Cette garantie s'ajoute à toute garantie légale.

La garantie ci-dessus concerne les réfrigérateurs Kenmore vendus et fonctionnant au Canada seulement. Elle ne s'applique pas si le réfrigérateur est utilisé à d'autres fins que domestiques.

Contrat d'entretien Sears

Conservez la valeur de votre réfrigérateur Kenmore avec un contrat d'entretien Sears.

SEARS CANADA INC. • Toronto, Canada • M5B 2B8

SEARS Manual del Usuario



Refrigerador

Registre el número de modelo y el número de serie	Tapa
Instrucciones Importantes de Seguridad	2
Para Comenzar	3
Sugerencias Para Ahorro de Energía	4
Ajuste de Controles	4
Temperaturas	4
Interruptor de Ahorro de Energía	4
Humedad	4
Almacenamiento de Alimentos Frescos	5
Cuidado y Limpieza	6-7
Máquina Automática de Hacer Hielo (algunos modelos)	7
Instrucciones para Cambiar la Puerta al Otro Lado	8-10
Lista de Control de Averías	10-11
Sonidos Normales del Funcionamiento	11
Servicio Sears	12
Garantía del Refrigerador	12
Servicio Sears - Canada	13
Garantía del Refrigerador - Canada	14

Lea y guarde estas instrucciones

Este Manual del Usuario contiene instrucciones de funcionamiento generales para su refrigerador e información sobre las características para varios modelos. Puede que su refrigerador **no tenga** todas las características aquí descritas. Se debe usar el refrigerador de acuerdo con las instrucciones contenidas en este Manual del Usuario. Las instrucciones que contiene este Manual del Usuario no cubren todas las condiciones y situaciones posibles que pudieran ocurrir. Siempre se debe usar el sentido común y la precaución al instalar, poner en funcionamiento y mantener cualquier aparato doméstico.

Registre el número de modelo y el número de serie

Registre el N° de Modelo y el N° de Serie en el espacio debajo. La placa del número de serie se encuentra en la pared izquierda del refrigerador.

N° de modelo: _____

N° de serie: _____

Fecha de compra: _____

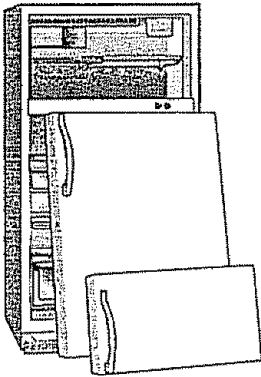
Instrucciones Importantes de Seguridad

Proceso para disponer de su refrigerador o congelador

ADVERTENCIA Riesgos de entrapamiento de niños: Niños atrapados y sofocados no son un problema del pasado. Refrigeradores o congeladores abandonados siguen siendo un peligro un cuando sea "por unos cuantos días". Si usted está planeando en disponer de su refrigerador o congelador, por favor siga las instrucciones las cuales ayudarán a prevenir accidentes.

ANTES DE DESCARTAR SU REFRIGERADOR O CONGELADOR VIEJO:

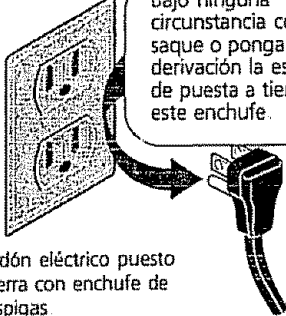
- Remova las puertas.
- Deje las bandejas instaladas. Estas limitan el acceso a los niños dentro del refrigerador o congelador.



ADVERTENCIA Evite los riesgos de incendios o choques eléctricos. No use un cordón de extensión o un adaptador para el tomacorriente. No saque ninguna espiga del enchufe del cordón eléctrico.

Tomacorriente
puesto a tierra

Bajo ninguna
circunstancia corte,
saque o ponga en
derivación la espiga
de puesta a tierra de
este enchufe.



Cordón eléctrico puesto
a tierra con enchufe de
3 espigas

Lea todas las instrucciones antes de usar este refrigerador.

ADVERTENCIA Para Su Seguridad

No almacene o use gasolina u otros líquidos o vapores inflamables en la proximidad de este o cualquier otro artefacto. Lea las etiquetas de los productos para informarse sobre la inflamabilidad y otras advertencias.

ADVERTENCIA Seguridad de los Niños

- Destruya la caja de cartón, las bolsas de plástico y cualquier material de empaque exterior inmediatamente después de que el refrigerador sea desempacado. Los niños no deben usar estos artículos para jugar. Las cajas de cartón cubiertas con alfombras, colchas o pedazos de plástico pueden convertirse en cámaras sin aire y causar asfixia.
- Saque todas las grapas de la caja de cartón. Las grapas pueden causar cortes graves y dañar los acabados si tienen contacto con otros artefactos o muebles.
- Una nevera, refrigerador o congelador que estén vacíos y hayan sido descartados, es una atracción muy peligrosa para los niños. **Saque la puerta de cualquier artefacto que no esté en uso, aún si está siendo descartado.**

ADVERTENCIA Información Eléctrica

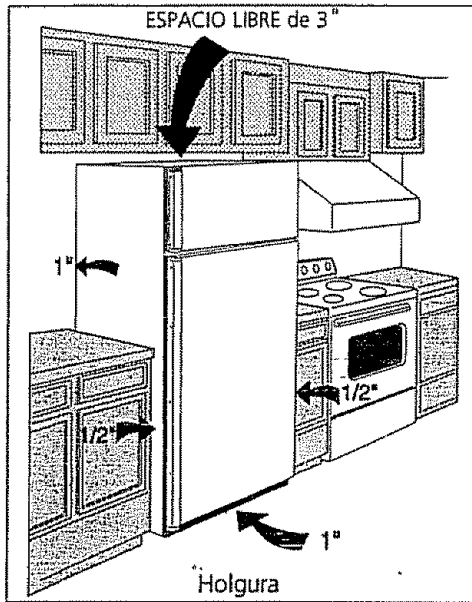
Estas advertencias deben ser seguidas para asegurarse de que los mecanismos de seguridad de este refrigerador funcionen correctamente.

- El refrigerador debe ser enchufado en su propio tomacorriente de 115 voltios, 60 Hz, CA solamente. El cordón eléctrico del artefacto está equipado con un enchufe de puesta a tierra de tres clavijas para protección contra riesgos de choques eléctricos. Debe ser enchufado directamente en un tomacorriente de tres tomas debidamente puesto a tierra, protegido con un fusible de retardo de 15 amperes o un disyuntor. El tomacorriente debe ser instalado de acuerdo con los códigos y reglamentos locales. Consulte a un electricista calificado. **NO USE UN CORDÓN DE EXTENSIÓN O UN ADAPTADOR PARA EL TOMACORRIENTE.**
- Si el voltaje varía en 10 por ciento o más, el rendimiento del refrigerador puede verse afectado. Si se hace funcionar el congelador con insuficiente energía se puede dañar el motor. Tal daño no está cubierto por la garantía. Si usted sospecha que el voltaje de su hogar es alto o bajo, consulte a su compañía de electricidad para que lo comprueben.
- Para evitar que el refrigerador sea apagado accidentalmente no lo enchufe en un tomacorriente controlado por un interruptor mural o una cuerda.
- No doble, anude o apriete el cordón eléctrico de ninguna manera.

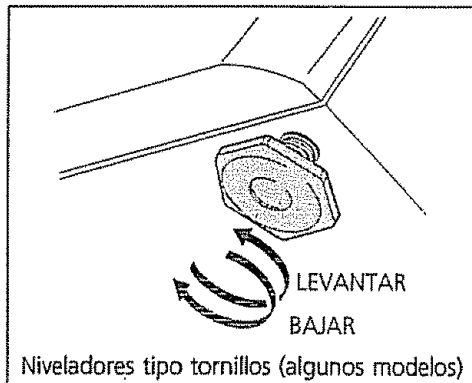
ADVERTENCIA Otras Precauciones

- Nunca desenchufe el refrigerador tirando del cordón eléctrico. Siempre sujete el enchufe firmemente y tire derecho hacia afuera del tomacorriente.
- Para evitar choque eléctrico, desenchufe el refrigerador antes de la limpieza o descongelación. **Nota:** Si gira el control a la posición OFF el compresor se apaga, pero no se desconecta la energía a los otros componentes eléctricos.
- No haga funcionar el refrigerador en la presencia de vapores explosivos.
- Si su refrigerador tiene una máquina automática de hacer hielo, evite contacto con las piezas móviles.

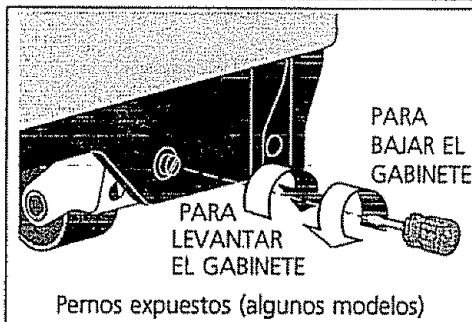
Para Comenzar



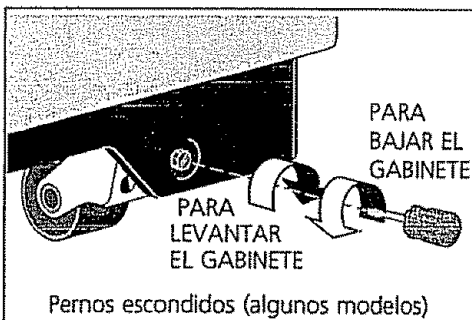
La circulación adecuada del aire y el nivelado asegurarán un funcionamiento eficaz.



Niveladores tipo tornillos (algunos modelos)



Pernos expuestos (algunos modelos)



Pernos escondidos (algunos modelos)

Antes de poner en marcha el refrigerador, siga estas importantes indicaciones:

Ubicación

- Seleccione un lugar que esté cerca de un tomacorriente eléctrico puesto a tierra. NO use un cordón de extensión o un adaptador de enchufe.
- Si es posible, coloque el refrigerador fuera de la luz directa del sol y alejado de la estufa, lavadora de platos u otras fuentes de calor.
- El refrigerador debe ser instalado en un piso que esté nivelado y lo suficientemente firme como para soportar un refrigerador totalmente lleno.
- Tome en cuenta la disponibilidad de suministro de agua para los modelos que están equipados con la máquina de hacer hielo automática.

Instalación

- No instale el refrigerador donde la temperatura descenderá a menos de 60°F (15°C) o se elevará a más de 110°F (43°C). El compresor no podrá mantener las temperaturas correctas.
- Deje espacio alrededor del artefacto para asegurar una buena circulación del aire. Deje 1 pulgada (25 mm) de espacio en la parte trasera y 3 pulgadas (75 mm) arriba del refrigerador para circulación adecuada del aire.
- Cuando se instala encastrado, deje 1/2 pulgada (10-15 mm) más a cada lado para facilitar la instalación.
- Para una mejor circulación del aire, levante el artefacto 1 pulgada (25 mm) desde el suelo, especialmente si el piso es alfombrado.

Abertura de la Puerta

Las puertas deben tener fácil acceso una mesa cuando se está sacando alimento.

- No coloque el refrigerador de modo que usted tiene que caminar alrededor de las puertas del refrigerador.
- Invierta las puertas si es necesario. Ver "Instrucciones para Cambiar la Puerta al Otro Lado."

Nivelación

El refrigerador debe descansar sólidamente en piso firme. Algunos modelos están equipados con niveladores ajustables tipo tornillos. Otros están equipados con rodillos fijos o ajustables. Si su refrigerador no viene con rodillos, éstos pueden ser comprados de su distribuidor.

- **Para ajustar los niveladores tipo tornillos (algunos modelos):** Incline el gabinete ligeramente hacia atrás y baje los pernos de ajuste según sea necesario.
- **Para ajustar los rodillos delanteros (algunos modelos):** Ajuste los rodillos girando el perno de ajuste con un destornillador, una llave de tubo de 3/8" o una llave de tuerca.

LEVANTE LOS NIVELADORES DELANTEROS lo suficiente como para permitir que la puerta se cierre fácilmente cuando se abra hasta la mitad. Nivele el gabinete de lado a lado.

Limpieza

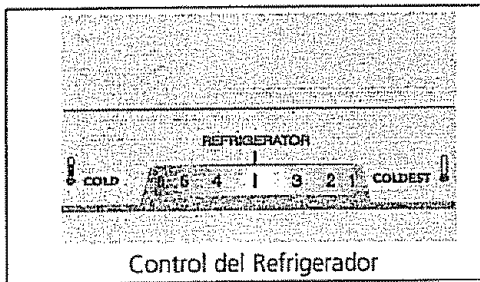
- Lave el interior, todas las piezas removibles y el exterior con un detergente suave y agua tibia. Seque bien. **NO USE LIMPIADORES ABRASIVOS EN ESTAS SUPERFICIES.**
- No use hojas de afeitar ni otros instrumentos afilados para sacar las etiquetas adhesivas pues puede rayar la superficie del artefacto. Cualquier resto de goma de las etiquetas o de la etiqueta sobre energía puede ser sacado con una mezcla de agua tibia y detergente suave o despegar el residuo con el lado adhesivo de la etiqueta que ya ha sido sacada.
- **NO SAQUE LA PLACA CON EL NUMERO DE SERIE.**

Sugerencias Para Ahorro de Energía

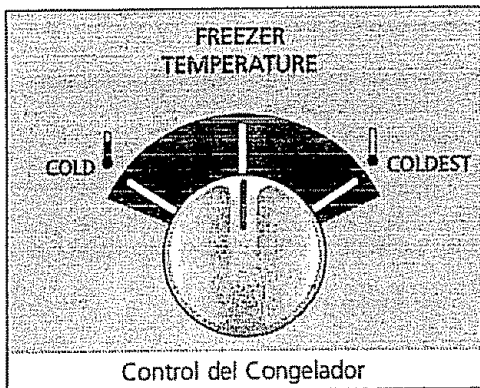


- Ubique el refrigerador en la parte más fría de la habitación, alejado de la luz directa del sol y de los conductos o registros de la calefacción. No coloque el refrigerador cerca de artefactos que produzcan calor tales como la estufa, horno o lavadora de platos. Si ésto no es posible, coloque una capa de aislamiento entre los dos artefactos para ayudar a que el refrigerador funcione más eficientemente.
- Nivele el refrigerador de modo que las puertas cierren herméticamente.
- Consulte este Manual del Usuario para los ajustes sugeridos para el refrigerador.
- La limpieza periódica del condensador ayudará a que el refrigerador funcione más eficientemente. Ver Limpieza Exterior en la sección "Cuidado y Limpieza".
- No coloque demasiados artículos en el refrigerador ni bloquee los respiraderos del aire frío. Si lo hace, el refrigerador debe funcionar por períodos más prolongados y usa más energía. Las parrillas no deben forrarse con papel de aluminio, papel de cera ni toallas de papel. Los forros interfieren con la circulación del aire frío, afectando la eficacia del refrigerador lo cual puede ocasionar descomposición de los alimentos.
- Cubra los alimentos y seque los envases antes de colocarlos en el refrigerador. Esto reduce la acumulación de humedad dentro del artefacto.
- Organice el refrigerador a fin de reducir la apertura frecuente de la puerta. Saque tantos artículos como necesite de una sola vez y cierre la puerta tan pronto como sea posible.

Ajuste de Controles



Control del Refrigerador



Control del Congelador



Ahorrador de Energía

Período de Enfriamiento

Para asegurar la conservación de los alimentos, deje que el refrigerador funcione con la puerta cerrada por lo menos de 8 a 12 horas antes de colocar los alimentos.

Controles del Refrigerador y Congelador

- Para empezar, coloque los controles en el punto medio para un período de prueba de 24 horas.

Temperaturas

- Después de las 24 horas, **ajuste los controles como sea necesario. Ajuste las temperaturas de un número cada vez.** Para temperaturas más frías, gire el indicador hacia COLDEST (MAS FRIO). Para temperaturas más tibias, gire el indicador hacia COLD (FRIO). La temperatura aumentará o disminuirá, pero no necesariamente en 1, 2 o 3 grados.

El ajuste de la temperatura en un compartimento, puede requerir ajuste en el otro:

- Si gira el control del refrigerador cambiará la temperatura en **AMBOS** compartimentos. **Si el control del refrigerador se apaga, el enfriamiento se detiene en ambos compartimentos.**
- Si usted gira el control del congelador cambiará solamente la temperatura en el compartimento del congelador.

Para mantener la temperatura, un ventilador hace circular el aire en el compartimento del refrigerador y del congelador. Para una buena circulación, no obstruya los respiraderos del aire con alimentos.

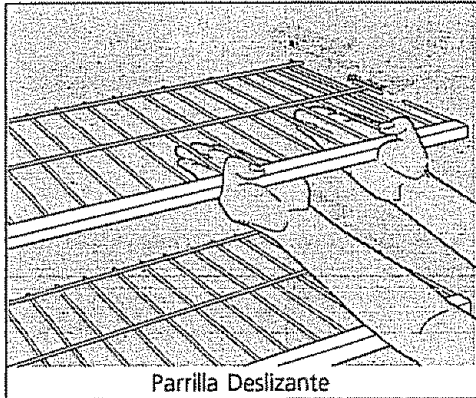
Interruptor de Ahorro de Energía (algunos modelos)

Si su refrigerador está equipado con un Interruptor de Ahorro de Energía, manténgalo en ENERGY SAVER (AHORRADOR DE ENERGIA) para menor uso de energía.

Humedad

Durante el tiempo húmedo o si aparece humedad en el gabinete entre las puertas, coloque el control en REDUCE EXTERIOR MOISTURE (REDUCIR HUMEDAD EXTERIOR). Un calefactor calentará la superficie y permitirá que la humedad se evapore.

Almacenamiento de Alimentos Frescos



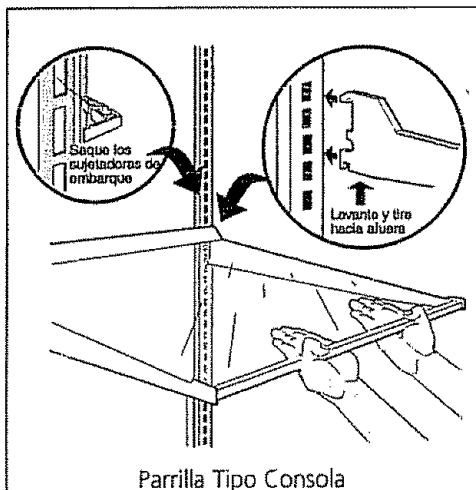
Ajuste de las Parrillas

Las parrillas del refrigerador pueden ser fácilmente ajustables de acuerdo a las necesidades individuales. Algunos modelos tienen parrillas deslizantes, otros tienen parrillas tipo consolas. Antes de ajustar las parrillas, saque todos los alimentos. Los sujetadores de embarque estabilizan las parrillas durante el transporte pueden ser sacados y descartados.

Para ajustar las parrillas deslizantes, tire hacia adelante hasta la posición del tope, luego levante el borde delantero hacia arriba y tire hacia afuera. Vuelva a colocar sobre cualquier par de rieles invirtiendo este procedimiento.

Para ajustar las parrillas tipo consolas, (las parrillas que están apoyadas solo en la parte trasera del refrigerador), levante la parte trasera de la parrilla hacia arriba y hacia afuera. Vuelva a colocar la parrilla insertando los ganchos en las ranuras traseras. Haga descender y bloquee en su posición.

Para ajustar la combinación de parrillas deslizantes/tipo consolas, saque la parrilla levantando el gancho fuera de la ranura trasera y deslizándola hacia adelante hasta el tope. Levante el borde delantero y tire hacia afuera. Vuelva a colocar la parrilla deslizándola hacia su soportes e insertando el gancho en la respectiva ranura del medio.

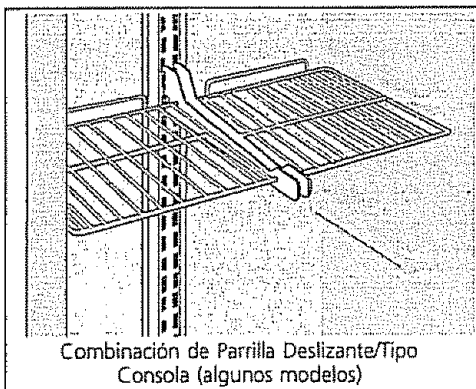


Almacenamiento en la Puerta

La puerta tiene compartimientos para almacenamiento conveniente de frascos, botellas y latas. Los artículos de uso frecuente están disponibles para una selección rápida. Algunos modelos tienen parrillas en las puertas que pueden acomodar envases de bebidas de plástico de tamaño de un galón y frascos y envases económicos que están disponibles en la actualidad. Algunas parrillas son removibles y ajustables para máxima eficiencia.

Algunos modelos tienen compartimientos ajustables en la puerta los cuales pueden ser movidos para adaptarse a las necesidades individuales. Para sacar los compartimientos, levántelos derecho hacia arriba. Coloque el compartimiento en la posición deseada y hágalo descender en los soportes.

El compartimiento para los productos lácteos es más tibio que la sección de alimentos generales y está destinado al almacenamiento a corto plazo del queso, mermeladas o mantequilla.



Compartimientos para las Verduras

Los compartimientos para las verduras, situados debajo de la parrilla inferior del refrigerador están diseñados para la conservación de frutas, verduras y otros productos frescos. Lave los artículos en agua limpia y saque el exceso de agua antes de colocarlos en los compartimientos. Los artículos con olores fuertes o mucha humedad deben ser envueltos antes de ser guardados.

Bandeja para la Carne (algunos modelos)

Algunos modelos están equipados con una Bandeja para la Carne que puede ser colocada debajo de cualquier parrilla del refrigerador. Use esta bandeja para almacenamiento a corto plazo de carne. Si las carnes son mantenidas por más de 1 a 2 días, deben ser guardadas en el congelador.

Cuidado y Limpieza

Mantenga su refrigerador y congelador limpios para evitar la formación de malos olores. Limpie cualquier derrame inmediatamente y limpie ambos compartimientos por lo menos dos veces al año. **Nunca** use esponjas metálicas, escobillas, limpiadores abrasivos o soluciones alcalinas fuertes en ninguna superficie del refrigerador. **No** lave las piezas removibles en una lavadora de platos.

Siempre desenchufe el cordón eléctrico del tomacorriente antes de la limpieza. Al girar el control a la posición OFF (APAGADO), no se desconecta la corriente eléctrica a los controles, a la ampolleta ni a otros componentes eléctricos.

Limpieza Interior

Lave las superficies interiores del refrigerador y congelador con una solución de 2 cucharadas de sopa de bicarbonato de soda en 1 cuarto de galón de agua tibia. Enjuague y seque bien. ***Asegúrese de estrujar el exceso de agua de la esponja o paño antes de limpiar alrededor de los controles, de la ampolleta o de las piezas eléctricas.***

¡ATENCIÓN! Los objetos mojados se adhieren a las superficies metálicas frías. No toque las superficies metálicas con las manos mojadas o húmedas.

Lave las piezas removibles tales como parrillas y compartimientos con una solución de bicarbonato de soda o detergente suave y agua tibia. **NO USE LIMPIADORES ABRASIVOS EN ESTAS SUPERFICIES.** Enjuague y seque bien. Limpie el empaque de la puerta con detergente suave y enjuague con agua clara y seque. No use hojas de afeitar ni otros instrumentos afilados para sacar las etiquetas adhesivas pues pueden rayar la superficie del artefacto. Cualquier resto de goma de las etiquetas o de la etiqueta sobre energía puede ser sacado con una mezcla de agua tibia y detergente suave o levantar el residuo con el lado adhesivo de la etiqueta que ya ha sido sacada. **NO SAQUE LA PLACA CON EL NUMERO DE SERIE.**

Limpieza Exterior

Lave el gabinete y las manijas con agua tibia y detergente líquido suave. Enjuague bien y seque con un paño limpio y suave.

Cuando cambie el refrigerador de posición, tírelo derecho hacia afuera. No cambie el refrigerador de un lado a otro pues puede romper o marcar el piso. Si el refrigerador tiene una máquina de hacer hielo automática, tenga cuidado de no mover el refrigerador demasiado lejos de las conexiones de plomería.

Periódicamente limpie el condensador (tubos negros y alambres en la parte trasera del refrigerador). Usando una aspiradora con el accesorio para sacar el polvo, aspire los serpentines para sacar el polvo acumulado. No deje que la pelusa o el polvo se acumulen en los serpentines.

La bandeja del agua de descongelación está situada en la parte inferior trasera del refrigerador sobre el compresor (ver ilustración a la izquierda). La bandeja debe limpiarse periódicamente. Límpiela con un paño húmedo.



BANDEJA DEL
AGUA DE
DESCONGELACION

Para Cambiar la Ampolleta

Para cambiar la ampolleta:

1. Desenchufe el refrigerador.
2. Use guantes como protección contra posibles vidrios rotos.
3. Reemplace la ampolleta antigua con una de la misma potencia.
4. Recuerde enchufar nuevamente el refrigerador.

Cuidado y Limpieza (continuación)

Sugerencias para las Vacaciones y Mudanzas

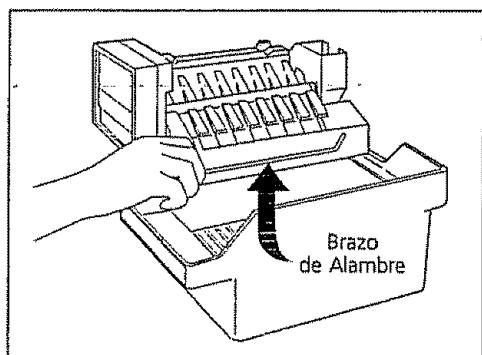
Vacaciones cortas: Deje el refrigerador funcionando durante las vacaciones de 1 a 3 semanas. Antes de partir, use todos los artículos que pueden descomponerse del compartimiento del refrigerador. Envuelva y guarde los otros artículos en el congelador. Si el refrigerador tiene una máquina automática para hacer hielo, apáguela.

Vacaciones largas: Saque todos los alimentos y el hielo si va salir por un mes o más. Gire el control a la posición OFF y desenchufe el refrigerador. Si el refrigerador tiene una máquina automática de hacer hielo, apague la máquina y gire la válvula del agua a la posición cerrada. Descongele y limpie el interior completamente. Deje ambas puertas abiertas para evitar que se acumule olor y hongos. Acuña la puerta abierta si es necesario.

Mudanza: Cuando mueva el refrigerador, siga estas indicaciones para evitar daño:

- Saque todo el alimento y otros artículos tanto del refrigerador como del congelador. Saque las cubetas del hielo. Descongele y limpie el interior completamente.
- Si se utiliza un carro de mano para la mudanza, cargue el refrigerador de lado.
- Gire los rodillos delanteros tan adentro como sea posible (algunos modelos). Esto los protegerá durante la mudanza o cuando lo desliza.
- El gabinete debe estar bien protegido y manipulado con cuidado. **NO LO DEJE CAER.**

Máquina Automática de Hacer Hielo



Si su refrigerador tiene una máquina automática de hacer hielo, le proporcionará hielo en forma continua para uso normal. La máquina automática de hacer hielo es un accesorio opcional que puede ser instalado en la mayoría de los modelos en cualquier momento. Llame a su distribuidor local para la instalación.

Después de que se han completado las conexiones de plomería, debe abrirse la válvula del agua. Coloque el depósito del hielo bajo la máquina de hacer hielo, empujándolo tan atrás como sea posible. Baje el brazo de alambre a su posición "down" u ON. Debido a las nuevas conexiones de plomería, la primera producción de cubos de hielo puede ser de mal color o tener un sabor extraño. Descarte este hielo hasta que los cubos sean incoloros y de buen sabor.

Para apagar la máquina de hacer hielo, levante el brazo de alambre hasta que se escuche un chasquido y se bloquea en la posición "up" u OFF. La máquina de hacer hielo se apaga automáticamente cuando el depósito del hielo está lleno. Si su modelo tiene una parrilla del congelador ajustable, coloque la parrilla de modo que el brazo de alambre golpee el hielo cuando el depósito esté lleno.

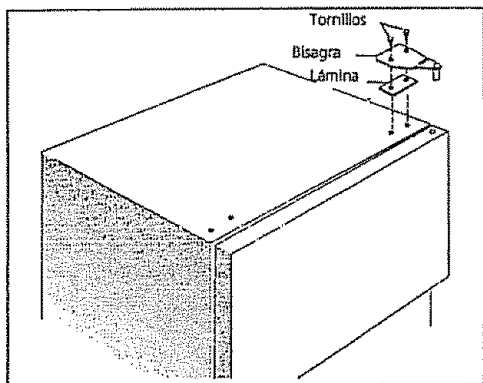
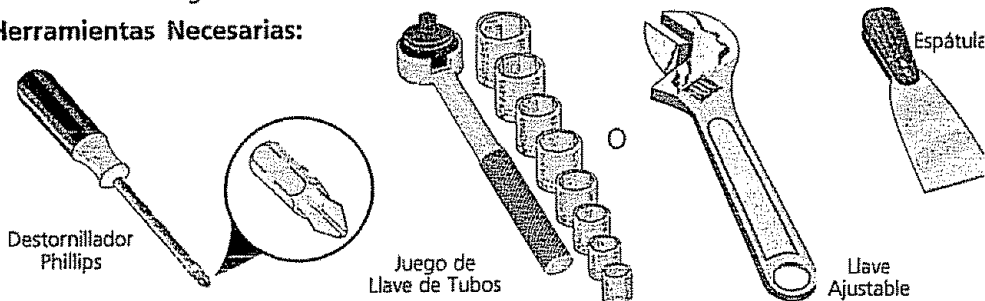
Sugerencias para la Máquina de Hacer Hielo

1. Si los cubos de hielo quedan mucho tiempo guardados pueden desarrollar un sabor extraño. Vacíe el depósito y asegúrese de que el brazo de alambre esté en la posición "down" u ON. La máquina de hacer hielo entonces producirá más hielo.
2. Ocasionalmente agite el depósito para separar los cubos de hielo.
3. Mantenga el brazo de alambre en su posición OFF o "up" hasta que el refrigerador esté conectado al suministro de agua o siempre que se haya cortado el agua.
4. **Ciertos sonidos son normales cuando la máquina de hacer hielo está funcionando.** Ellos son:
 - Funcionamiento del motor
 - El hielo que se está desprendiendo de la bandeja
 - El hielo al caer en el depósito
 - El agua que corre
 - El cierre y apertura de la válvula de aguaPara mayor información sobre estas operaciones, vea "Sonidos Normales de Funcionamiento."
5. Lave el depósito del hielo en agua tibia con un detergente suave. Enjuague y seque bien.
6. Apague la máquina de hacer hielo cuando esté limpiando el congelador o durante las vacaciones cortas.
7. Si la máquina de hacer hielo va a ser apagada por un período de tiempo largo, cierre la válvula del agua.

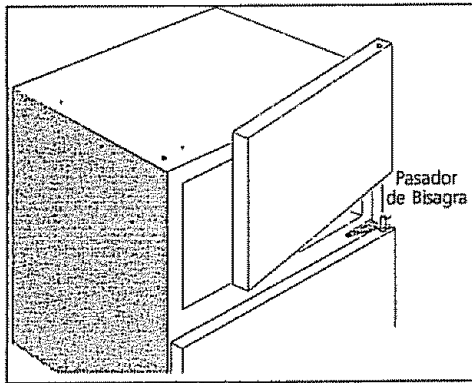
Instrucciones para Cambiar la Puerta al Otro Lado

La puerta de su refrigerador está equipada con bisagras convertibles. Las bisagras de la puerta pueden ser cambiadas al lado opuesto en cualquier momento que usted lo desee. En algunos modelos se incluye un sobre que contiene tapones plásticos adicionales. Coloque el control del refrigerador en la posición OFF. Saque todos los alimentos, botellas y otros artículos de la puerta. **Comience con la puerta del congelador.** Termine de sacar completamente una puerta antes de seguir con la otra.

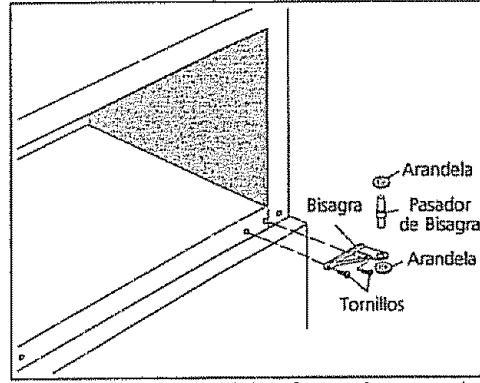
Herramientas Necesarias:



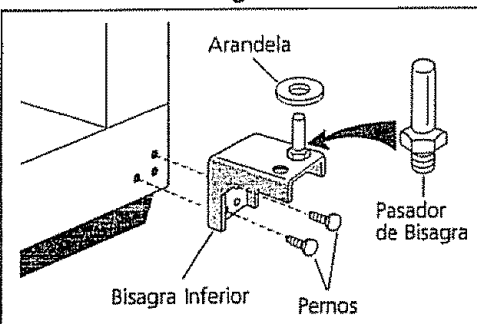
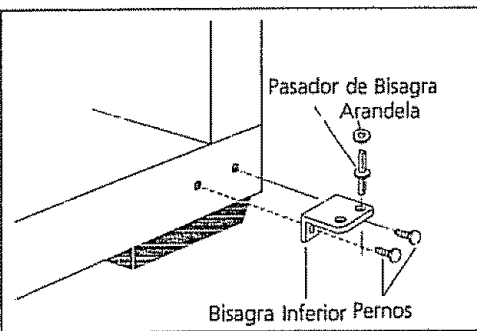
1. Levante la tapa de la bisagra en la parte superior del gabinete (algunos modelos). Con la puerta del congelador cerrada, saque los dos tornillos que sujetan la bisagra superior al gabinete. Levante la bisagra hacia arriba y sáquela. **Asegúrese de guardar los tornillos, la bisagra y las láminas para volver a instalarlas posteriormente.**



2. Abra la puerta del congelador lo suficiente como para poder sacarla de la bisagra central.

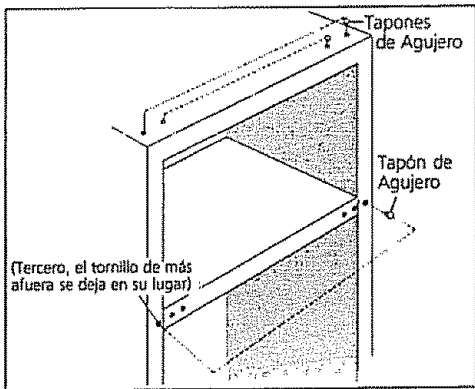


3. Con la puerta del refrigerador cerrada, saque el pasador de la bisagra central. (Note la posición de la arandela superior e inferior (algunos modelos) en el pasador de la bisagra. Las arandelas deben ser colocadas posteriormente de la misma manera.) Abra la puerta del refrigerador lo suficiente como para poder sacar la bisagra inferior. Saque los dos tornillos que sujetan la bisagra central. El tercer tornillo que se encuentra más afuera bajo la bisagra central, debe ser dejado en su lugar. **Guarde la bisagra, el pasador y las arandelas (algunos modelos) para instalarlos posteriormente.** Vuelva a instalar los tornillos en los agujeros originales.

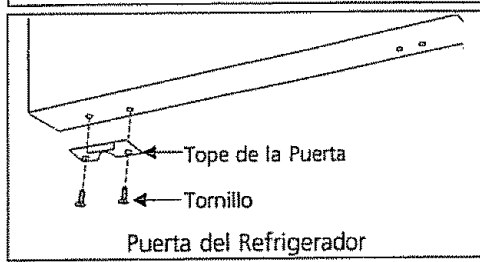
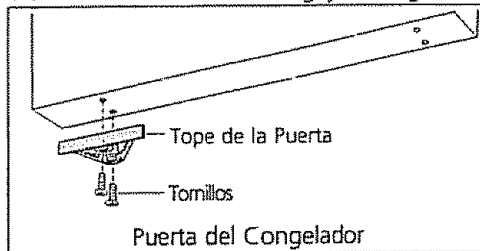


4. Saque el pasador de la bisagra, la bisagra y los dos pernos que sujetan la bisagra inferior. **Guarde la bisagra, el pasador y las arandelas (algunos modelos) para instalarlos posteriormente.**

NOTA: Algunos modelos tienen manijas "incorporadas," las que están empotradas en el lado de la puerta. En estos modelos, sólo hay que invertir las bisagras. Una manija está incorporada en ambos lados de cada puerta.

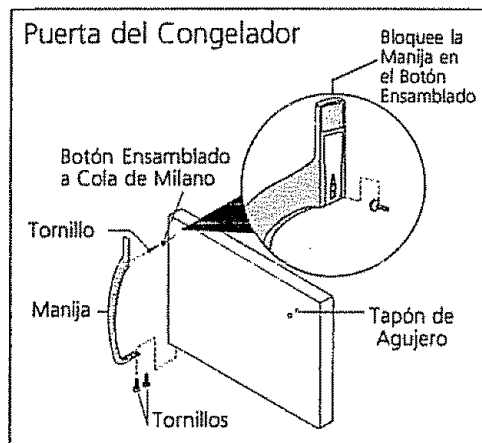


5. Saque cuidadosamente los tapones de agujeros de los agujeros de las bisagras en el centro y en la parte superior del gabinete y vuelva a instalarlos en el grupo de agujeros del lado opuesto.

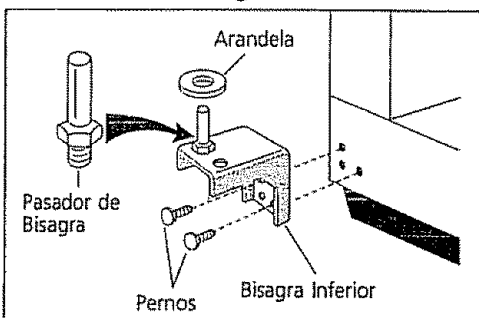
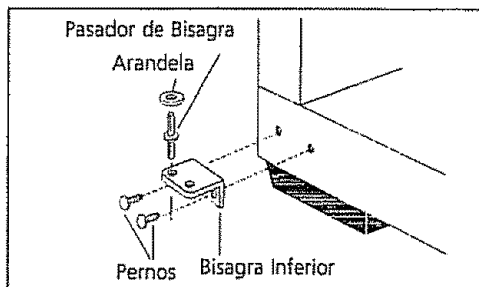


6. Después de que ha cambiado las manijas (ver pasos 7 y 8), saque el tope de la puerta de la parte inferior de la puerta del congelador y refrigerador y vuelva a instalarlo en el lado opuesto.

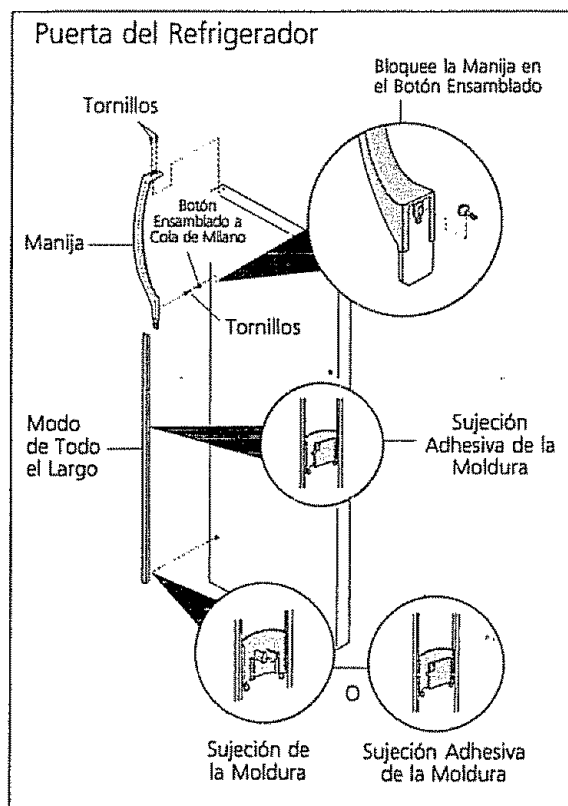
Instrucciones para Cambiar la Puerta al Otro Lado (continuación)



7. (Cuando sea necesario, consulte su paquete de instrucciones.) Invierta las manijas mientras las puertas no estén instaladas. Quite los dos tornillos que aseguran la manija al fondo de la puerta del congelador. Gire el fondo de la manija para separarla de la puerta y deslice la manija hacia arriba y hacia afuera del botón cola de milano. Quite el tornillo y el botón cola de milano e instálelos en el otro lado, moviendo hacia el lado opuesto el receptor con agujero. Siga la instrucciones en el orden opuesto para volver a instalar la manija. Comience con la manija descentrada alejada de la puerta: Coloque la parte superior de la manija sobre el botón cola de milano, de vuelta a la manija hacia una posición vertical y empuje hacia arriba para hacerla llegar a su lugar. Asegure con tornillos el fondo de la manija



9. Usando una espátula quite los tapones de plástico negro (no se muestran) de la parte frontal de la base y vuelva a instalarlos en el juego opuesto de agujeros de la bisagra inferior. Instale la bisagra inferior en el gabinete. Instale el pasador de la bisagra en el agujero de la bisagra opuesto a aquel en el cual se encontraba instalada originalmente. Instale la roldana (en algunos modelos) en el pasador de la bisagra inferior e inserte los pernos de la bisagra pero no los apriete. Las bisagras tienen que estar flojas en contra del gabinete para alinear la puerta



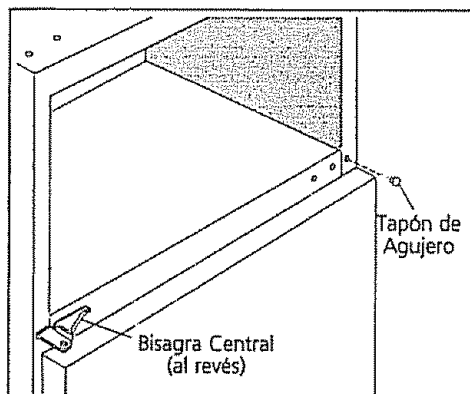
8. (Cuando sea necesario, consulte su paquete de instrucciones). Para quitar la manija: Jale hacia abajo para deslizar la moldura hacia afuera del fondo de la manija. Quite los dos tornillos que sujetan la manija a la parte superior de la puerta del refrigerador. Gire la parte superior de la manija para alejarla de la puerta y deslícela hacia abajo y hacia afuera del botón cola de milano. Quite el tornillo y el botón cola de milano e instálelos en el otro lado, moviendo los receptores con agujero a los agujeros correspondientes del lado opuesto. Invierta las instrucciones para volver a colocar la manija. Comience con la manija descentrada y alejada de la puerta. Coloque el fondo de la manija sobre el botón cola de milano, de vuelta a la manija hacia una posición vertical y empuje hacia abajo para hacerla llegar a su lugar. Asegure con tornillos la parte superior de la manija. Vuelva a colocar la moldura.

Cómo quitar la moldura (Sólo para modelos con moldura todo lo largo):

En algunos modelos, el refrigerador tiene a pieza de moldura a todo lo largo, la cual va desde el fondo de la

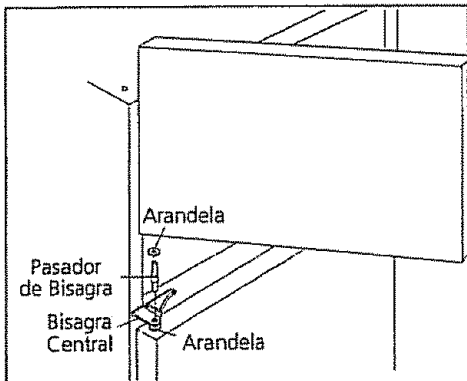
manija hasta el fondo de la puerta. La parte superior de la moldura encaja alrededor de la base de la manija. Se coloca un engrape de moldura adhesivo hasta más o menos la mitad de arriba hacia abajo. El fondo de la moldura se mantiene en su lugar ya sea por un engrape adhesivo o un engrape con dos ganchos insertados en un agujero en la cara de la puerta. Quite la moldura jalando suavemente hacia afuera de la puerta, en las áreas en las cuales se encuentra engrapada. Cuando la moldura ha sido separada de la puerta, jale suavemente la moldura hacia abajo y hacia afuera de la base de la manija, usando un movimiento suave hacia ambos lados.

Cómo volver a colocar la moldura: Deslice ambos engrapes fuera de la moldura. Inserte un engrape adhesivo nuevo que se acompaña a su paquete de instrucciones. **NOTA:** El engrape de la moldura debe ser removido e instalado deslizándolo **SOBRE** las dos áreas en forma de rosca. Instale la moldura en la manija deslizándola sobre la base de la manija. Alinee cuidadosamente la moldura y presione hacia abajo en los lugares donde se encuentran los engrapes. Vuelva a colocar el receptor con agujero en el lado opuesto. Use alcohol de frotar para quitar cualquier residuo de adhesivo de donde estaban anteriormente colocados los engrapes

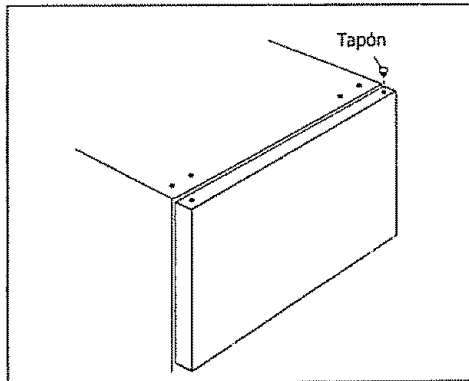


10. Ponga boca abajo la bisagra central y asegúrela al gabinete según se muestra, usando los tornillos que se encuentran en los nuevos agujeros. Instale la puerta del refrigerador sobre el pin de la bisagra inferior. Alinee la puerta con la orilla del gabinete. Sostenga la puerta sobre el frente del gabinete

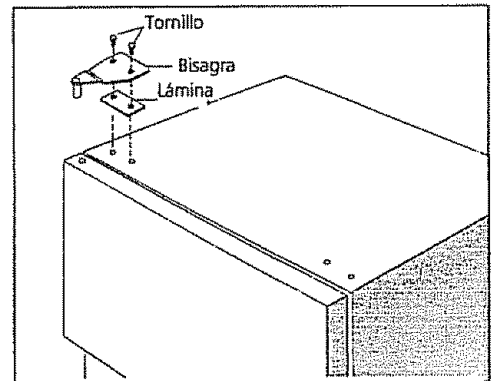
Instrucciones para Cambiar la Puerta al Otro Lado (continuación)



11. Coloque la arandela original (algunos modelos) sobre el agujero en la puerta del refrigerador y alinéela con el agujero en la bisagra central. Inserte el pasador de la bisagra a través de ambos agujeros. Coloque la arandela (algunos modelos) en el pasador de la bisagra, luego coloque la puerta del congelador en la bisagra central.



12. Saque el tapón del apoyo superior de la puerta e instálelo en el otro lado.



13. Arme la bisagra superior e instálela en la parte superior del gabinete y de la puerta. Utilice los agujeros opuestos. No apriete completamente los tornillos.

Alinee las puertas de manera que haya un espacio paralelo entre ambas. Ajuste las puertas al gabinete de manera que el empaque quede cerrado pero sin atascarse. Apriete los tornillos de la bisagra superior e inferior.

Puede que sea necesario hacer ajustes adicionales después de instalar los alimentos en las parrillas. Coloque nuevamente los alimentos, las botellas y otros artículos en las puertas. **Coloque el control del refrigerador en la posición ON y en el ajuste anterior.**

Lista de Control de Averías

Antes de llamar a un técnico de servicio, revise esta lista. Puede ahorrar tiempo y dinero. Esta lista incluye los problemas más comunes que no son el resultado de materiales o mano de obra defectuosa de este artefacto.

PROBLEMA

SOLUCION

FUNCIONAMIENTO DEL REFRIGERADOR

El compresor del refrigerador no funciona.

El control del refrigerador está en OFF. Coloque el control del refrigerador en la posición ON. Ver **Ajuste de Controles.**

El enchufe está fuera del tomacorriente. Asegúrese de enchufarlo.

Un fusible del hogar está quemado o un disyuntor disparado. Revise/vuelva a posicionar el disyuntor o reemplace el fusible con un fusible de acción retardada de 15 amp.

Falla de corriente eléctrica. Revise las luces del hogar. Llame a su compañía de electricidad local.

El refrigerador funciona demasiado o durante mucho tiempo.

El refrigerador es más grande que el que tenía antiguamente. Esto es normal. Los refrigeradores más grandes, más eficientes requieren tiempo de funcionamiento más prolongado.

La temperatura de la habitación o el tiempo afuera es demasiado caliente. Es normal que el congelador funcione con más esfuerzo bajo estas condiciones.

La máquina automática de hacer hielo (algunos modelos) está funcionando. El funcionamiento de la máquina de hacer hielo es causa de que el refrigerador funcione un poco más.

Las puertas son abiertas con demasiada frecuencia o se dejan abiertas por mucho rato. El aire caliente que entra al refrigerador lo hace funcionar más. Abra las puertas con menos frecuencia.

La puerta del refrigerador o congelador puede estar ligeramente abierta. Asegúrese de que el refrigerador esté nivelado. Evite que los alimentos y envases bloqueen la puerta.

LAS TEMPERATURAS ESTAN DEMASIADO FRIAS O DEMASIADO CALIENTES

Las temperaturas en cualquiera de los dos compartimientos están o demasiado frías o demasiado calientes. Ver **Ajuste de Controles.**

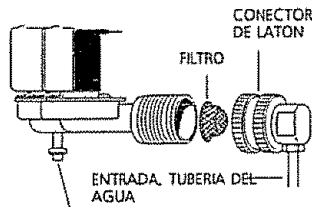
PROBLEMA

SOLUCION

MAQUINA AUTOMATICA DE HACER HIELO (algunos modelos)

La máquina de hacer hielo no hace hielo.

El brazo de alambre de la máquina de hacer hielo está en la posición "up" u OFF. Mueva el brazo de alambre a la posición "down" u ON.



SALIDA A LA MAQUINA DE HACER HIELO

La válvula de la tubería del agua del hogar no está abierta. Abra la llave del agua.

La válvula del suministro del agua en el refrigerador está bloqueada por materias extrañas. Desenchufe el refrigerador y corte el suministro de agua. Deslice el refrigerador hacia afuera y ubique donde está conectada el agua a la válvula. Desatornille el conector de latón y saque el filtro dentro de la rejilla de la válvula. Limpie el filtro de cualquier materia extraña. Vuelva a colocar el filtro y el conector de latón y abra la llave del agua; revise si hay escape. Enchufe el refrigerador y deslícelo hacia su lugar.

AGUA/HUMEDAD/ESCARCHA DENTRO DEL REFRIGERADOR

Se acumula humedad en el interior de las paredes del refrigerador.

El tiempo está caluroso y húmedo lo cual aumenta la acumulación de escarcha y transpiración interna. Esto es normal. Asegúrese de que las puertas están herméticamente cerradas. Abra las puertas con menos frecuencia.

Se junta agua bajo la tapa del compartimiento o en el compartimiento inferior.

Las verduras contienen y despiden humedad. Las verduras y las frutas lavadas se desaguan cuando están en el compartimiento. Esto es normal. Seque las verduras en una toalla de papel antes de almacenarlas. Limpie y seque los compartimientos de las verduras según sea necesario.

AGUA/HUMEDAD/ESCARCHA FUERA DEL REFRIGERADOR

Se forma humedad en la parte exterior del refrigerador o entre las puertas.

La puerta está ligeramente abierta permitiendo que el aire frío del interior del refrigerador se una al aire tibio de afuera.

Esto es normal en tiempo húmedo. Cuando el tiempo no esté tan húmedo esta humedad debería desaparecer. Ajuste el Ahorrador de Energía a la posición **Reduce Exterior Moisture (Reducción de la Humedad Exterior)**.

OLORES EN EL REFRIGERADOR/CONGELADOR

El interior necesita ser limpiado. Limpie el interior con una esponja, agua tibia y bicarbonato de soda.

Existen alimentos con olor fuerte en el refrigerador o congelador. Cubra los alimentos.

El hielo ha adquirido el olor o sabor del alimento fuerte que se guarda en el refrigerador o congelador. Cubra los alimentos con envases herméticos. Descarte el hielo antiguo.

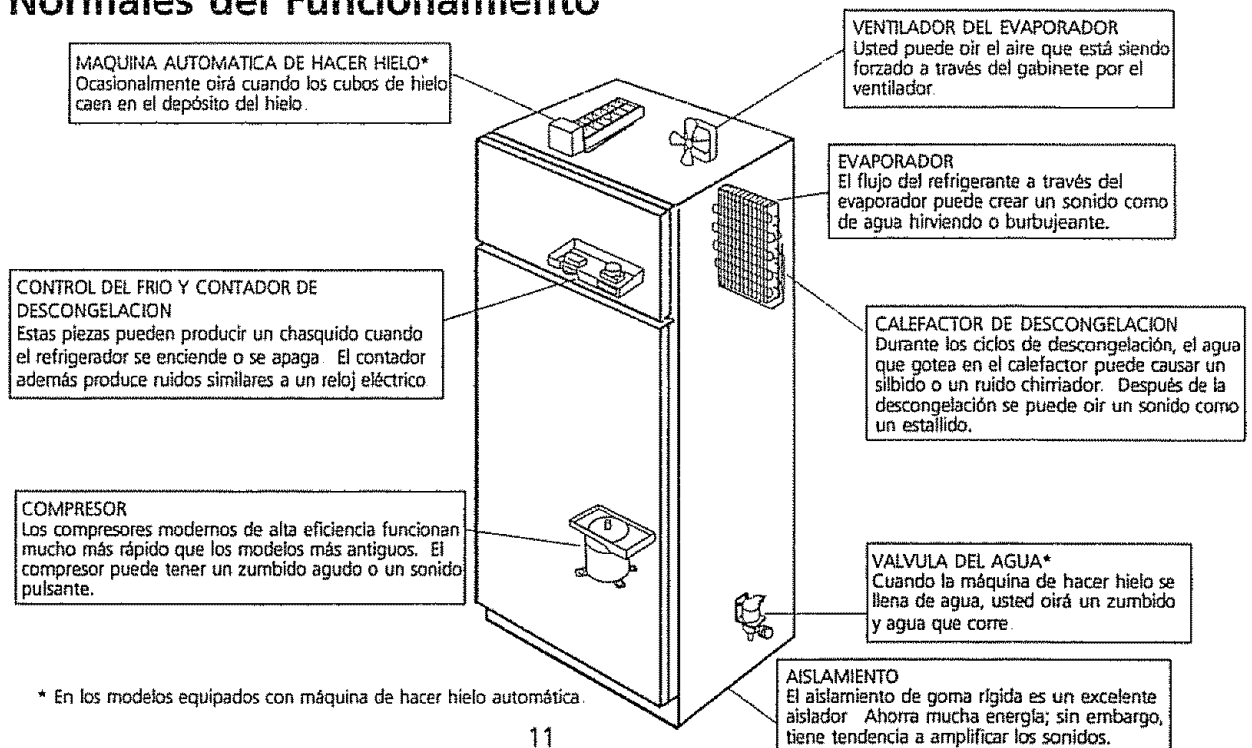
LA AMPOLLETA NO ESTA ENCENDIDA

La ampolleta está quemada. Ver "Para Cambiar la Ampolleta" en **Cuidado y Limpieza**.

El interruptor de la luz está atascado. El interruptor de la luz se encuentra en el techo del compartimiento del refrigerador cerca de la caja de control de la temperatura. Oprima el interruptor de la luz para soltarlo.

No llega corriente eléctrica al refrigerador. Ver **FUNCIONAMIENTO DEL REFRIGERADOR** al comienzo de la lista.

Sonidos Normales del Funcionamiento



Servicio Sears



"Nosotros Reparamos lo que Vendemos" es nuestra garantía de que usted puede depender de Sears para servicio... y el servicio de Sears lo puede conseguir a través de todo el país. Su refrigerador tiene mayor valor cuando se considera que Sears tiene centros de servicio a través de todo el país, con técnicos entrenados por Sears...técnicos específicamente entrenados en los artefactos Sears y que cuentan con las piezas, herramientas y equipo para asegurarle que cumplimos con nuestra promesa... "Nosotros reparamos lo que vendemos."

Convenio de mantenimiento Sears

Conserve el valor de su refrigerador Kenmore® adquiriendo el convenio de Mantenimiento Sears. Los refrigeradores Sears están diseñados, fabricados y probados para funcionamiento confiable durante muchos años. Sin embargo, cualquier artefacto moderno puede, de vez en cuando, necesitar servicio.

El Convenio de Mantenimiento Sears

- Es su manera de comprar la reparación del mañana al precio de hoy.
- Elimina las cuentas de reparaciones resultantes del uso normal.
- Permite tantas llamadas de servicio como sean necesarias.
- Proporciona servicio por técnicos profesionales entrenados por Sears.
- Ofrece mantenimiento preventivo anual si lo solicita.

Este convenio de mantenimiento no cubre la instalación original, la reinstalación o daño resultante de causas externas tales como casos fortuitos, abuso, robo, incendio, inundaciones, viento, rayos, congelación, falla de energía, reducción de potencia, etc. Solicite a un vendedor que le explique todos los términos y condiciones del convenio.

Garantía del refrigerador

Garantía completa de un año para el refrigerador

Dentro de un año a partir de la fecha de compra, cuando este refrigerador sea operado y mantenido de acuerdo con las instrucciones provistas en el Manual del Usuario, Sears reparará este refrigerador, gratuitamente, si tiene defectos de material o mano de obra.

Garantía completa de cinco años en el sistema de refrigeración sellado

Durante cinco años a partir de la fecha de compra, cuando este refrigerador sea operado y mantenido de acuerdo con las instrucciones indicadas en el Manual del Usuario, Sears reparará el sistema sellado (que se compone del refrigerante, tubería de conexión y motor del compresor), gratuitamente, si tiene defectos de material o mano de obra.

La garantía antes mencionada se aplica solamente a los refrigeradores que son usados para conservación de alimentos en hogares privados. Excluye el filtro de agua y hielo Kenmore original y de reemplazo (si equipado con un sistema de filtración). Los filtros de reemplazo y original se garantizan por 30 días (piezas solamente).

Contacte el Centro De Servicio Sears en los Estados Unidos mas proximo a usted para cualquier servicio de garantía. Refiera la ultima pagina de este manual.

Esta garantía le otorga derechos legales específicos y usted también puede tener otros derechos que varían de un estado a otro.

Sears, Roebuck and Co.
3333 Beverly Road
Hoffman Estates, IL 60179

Servicio Sears (Canadá)

Estimado Cliente:

En fabricar este producto, se han tomado muchos pasos para proveer la calidad más alta posible. Desafortunadamente, se ocurren errores o omisiones ocasionalmente. En el caso de que usted encuentre una parte defectuosa o que le falte una parte, favor de llamar a su almacén Sears más cercano.

Si usted tiene cualquier sugerencias que nos ayudarían para mejorar nuestra asamblea/las instrucciones de operación o este producto, favor de escribirnoslas, incluyendo la información abajo. Envíalo a:

Sears Canadá, Inc. Attn: Buyer Dept. 646
222 Jarvis Street
Toronto, Ontario
M5B 2B8

Comprado por:

NOMBRE: _____

DIRECCION: _____

CIUDAD: _____ PROV.: _____

CODIGO POSTAL: _____ TELEFONO.: _____

No. de MODELO: _____ No. de SERIE: _____

FECHA DE COMPRA ___/___/___ DONDE COMPRADO: _____

COMENTA: _____

GARANTIA LIMITADA — CANADA



Refrigeradores

Sears Canadá Inc., garantiza que cada refrigerador Kenmore nuevo sea libre de defectos de material o fabricación. Sears hará lo siguiente, gratuito, en el caso de un defecto:

¿Que incluye?	¿Durante cuánto tiempo se garantiza? (Desde la fecha de compra)	Partes: A la opción de Sears, reparar o reemplazar una parte por:	Mano de obra: Instalar la parte reparada o la parte de reemplazo por:
El compresor	DIEZ (10) AÑOS	DIEZ (10) AÑOS	CINCO (5) AÑOS
El sistema sellado (consitiendo del refrigerante, evaporador, y condensador)	CINCO (5) AÑOS	CINCO (5) AÑOS	CINCO (5) AÑOS
Todas las otras partes y ajustes	UN (1) AÑO	UN (1) AÑO	UN (1) AÑO

Responsabilidades Normales del Cliente

Las cosas siguientes, como no son defectos de fabricación, no son incluidas en la garantía, sino son la responsabilidad del cliente:

- 1) Daños al acabamiento después de la entrega.
- 2) Fuente de energía inadecuada, voltaje inadecuado, o cualquier defectos del sistema eléctrico de la casa o el aparato no conectado a un tomacorriente.
- 3) Reemplazo de ampolletas.
- 4) Daños causados por mover el aparato de su sitio de instalación original.
- 5) Servicio requerido como resultado de alteración, abuso, incendio, inundara, o desatres naturales.
- 6) Asegurarse de que circulación de aire adecuada sea disponible al sistema de refrigeración.
- 7) Cuidado y uso apropiados del artefacto, como se detalla en el Manual del Usuario; colocación de los controles apropiada

Si se requiere cualquier servicio cubrido por esta garantía, simplemente refiera a sus páginas blancas de teléfono bajo "Sears Canadá, Inc."

Esta garantía es establecida en adición a cualquier garantía estatuida.

La garantia arriba cubre los refrigeradores Kenmore vendidos y operarados en el Canadá único y no aplica si el refrigerador se usa para propósitos no domésticos.

Convenio de Mantenimiento Sears

Mantenga el valor de su refrigerador Kenmore con un Convenio de Mantenimiento Sears.

SEARS CANADA INC. • Toronto, Canada • M5B 2B8

For in-home major brand repair service:

Call 24 hours a day, 7 days a week

1-800-4-MY-HOMESM (1-800-469-4663)

Para pedir servicio de reparación a domicilio -1-800-676-5811

In Canada for all your service and parts needs call

Au Canada pour tout le service ou les pièces **-1-800-665-4455**

For the repair or replacement parts you need:

Call 7 am - 7 pm, 7 days a week

1-800-366-PART (1-800-366-7278)

Para ordenar piezas con entrega a domicilio -1-800-659-7084

For the location of a Sears Parts and Repair Center in your area:

Call 24 hours a day, 7 days a week

1-800-488-1222

**For information on purchasing a Sears Maintenance Agreement
or to inquire about an existing Agreement:**

Call 9 am - 5 pm, Monday - Saturday

1-800-827-6655



The Service Side of SearsSM