

Canon

RF

45mm F1.2 STM

Instructions

Safety Precautions	2
General Precautions.....	3
Nomenclature	5
1. Attaching and Detaching the Lens	6
2. Setting the Focus Mode	7
3. Control Ring	8
4. Hood (Sold separately)	9
5. Filters (Sold separately)	11
Specifications	12


ENG


Thank you for purchasing a Canon product.

Canon RF45mm F1.2 STM is a standard lens for use with EOS R series cameras.

- “STM” stands for Stepping Motor.


Conventions used in these instructions

 Warning to prevent lens or camera malfunction or damage.

 Supplementary notes on using the lens and taking pictures.

Camera Firmware and Camera Applications

Please use the latest versions of firmware and applications with the camera in use. For details on whether the firmware and applications in use are the latest version or not, and for details on updating them, please check the Canon website.

 If the camera's* firmware is not a compatible version, the following limitations will apply.

- Magnified view functionality is not available.
- There may be a discrepancy between the positions of AF points and actually metered positions.

* Applies to the following camera models: EOS R and EOS RP

Safety Precautions

Precautions to ensure that the camera is used safely. Read these precautions thoroughly. Make sure all details are observed in order to prevent risks and injury to the user and other people.



Warning

Details pertaining to risks that may result in death or serious injury.

- **Do not look directly at the sun or other strong light sources through a lens.** This may result in loss of sight.
- **Do not leave a lens in the sun without the lens cap attached.** The lens may concentrate entering sunlight and cause a malfunction or fire.



Caution

Details pertaining to risks that may result in injury or damage to other objects.

- **Do not leave the product in places exposed to extremely high or low temperatures.** The product may cause burns or injury when touched.

General Precautions

Handling Precautions

- Do not leave the product in excessive heat such as in a car in direct sunlight. High temperatures can cause the product to malfunction.
- If the lens is taken from a cold environment into a warm one, condensation may develop on the lens surface and internal parts. To prevent condensation in this case, first put the lens into an airtight plastic bag before taking it from a cold to warm environment. Then take out the lens after it has warmed gradually. Do the same when taking the lens from a warm environment into a cold one.
- Please also read any lens related handling precautions listed in your camera's instruction manual.

Shooting Precautions

When the camera recovers from the auto power off status to the shooting-ready status, the lens moves in both AF/MF mode and an initial reset is performed on the focus lens.

- Do not shoot until the initial reset is completed.
- Focus again after recovering from the auto power off status.
- To maintain the focus position in the shooting-ready status, set [Auto power off] to [Disable] on the camera.

This device complies with Part 15 of the FCC Rules. Operation is subject to the following two conditions: (1) This device may not cause harmful interference, and (2) this device must accept any interference received, including interference that may cause undesired operation.

Do not make any changes or modifications to the equipment unless otherwise specified in the instructions. If such changes or modifications should be made, you could be required to stop operation of the equipment.

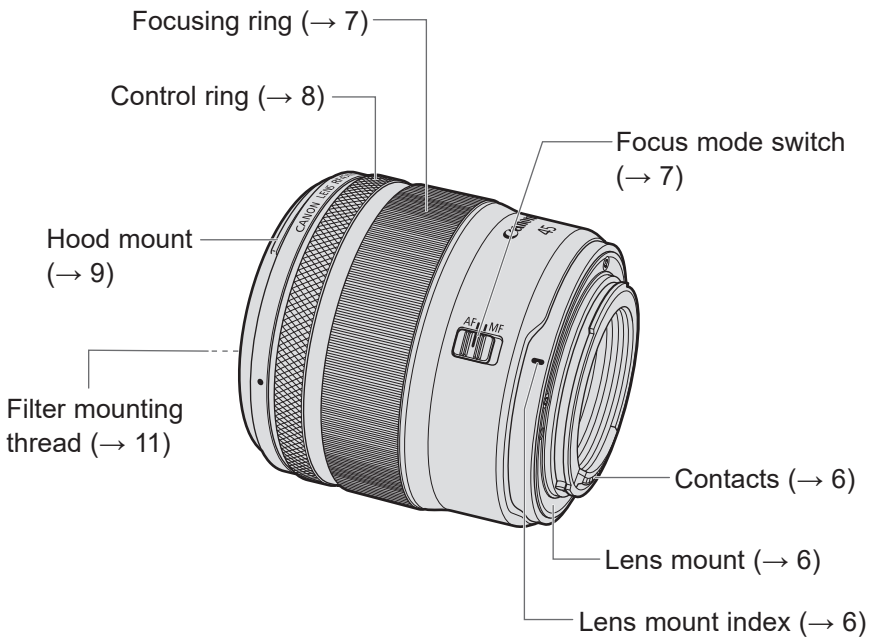
This equipment has been tested and found to comply with the limits for a class B digital device, pursuant to part 15 of the FCC Rules. These limits are designed to provide reasonable protection against harmful interference in a residential installation. This equipment generates, uses and can radiate radio frequency energy and, if not installed and used in accordance with the instructions, may cause harmful interference to radio communications.

However, there is no guarantee that interference will not occur in a particular installation. If this equipment does cause harmful interference to radio or television reception, which can be determined by turning the equipment off and on, the user is encouraged to try to correct the interference by one or more of the following measures:

- Reorient or relocate the receiving antenna.
- Increase the separation between the equipment and receiver.
- Connect the equipment into an outlet on a circuit different from that to which the receiver is connected.
- Consult the dealer or an experienced radio/TV technician for help.

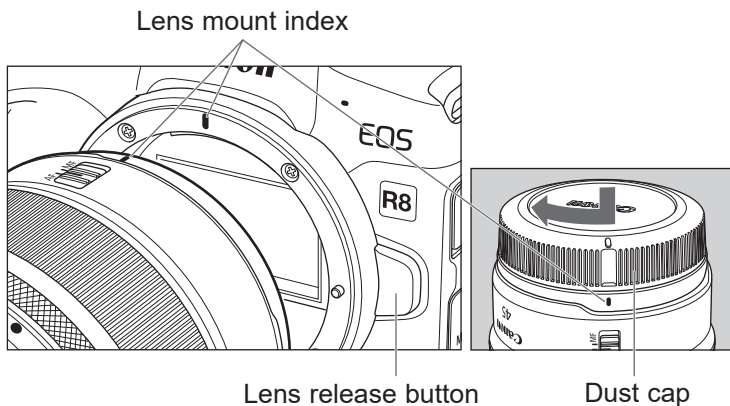
CAN ICES-3 (B) / NMB-3 (B)

Nomenclature



- For detailed information, reference page numbers are provided in parentheses (→ **).

1. Attaching and Detaching the Lens



Attaching the Lens

Align the lens mount indexes of the lens and camera, and turn the lens clockwise until you hear a click.

Detaching the Lens

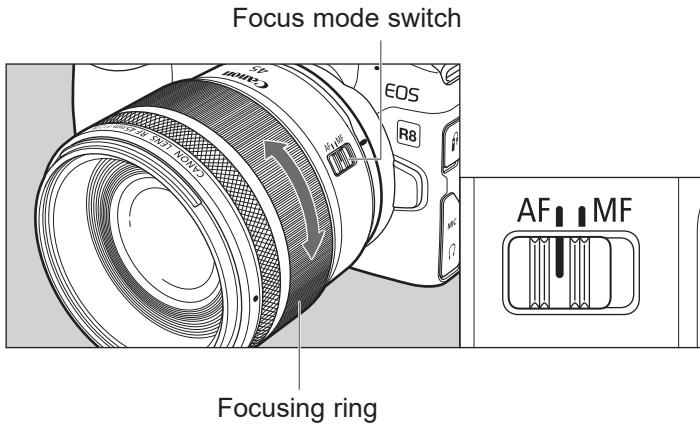
Turn the lens counterclockwise while pressing the camera's lens release button. Detach the lens once it has stopped turning.

Please refer to the camera's instructions for details.



- Set the camera's power switch to OFF when attaching or detaching the lens.
- Attach the lens cap before detaching the lens from the camera.
- After detaching the lens, place the lens with the rear end up and attach the dust cap to prevent the lens surface and contacts from getting scratched. Make sure the lens and dust cap mount indexes are aligned when attaching the dust cap.
- Contacts that are scratched, soiled, or have fingerprints on them may result in faulty connections or corrosion, which may lead to malfunctions. If the contacts get soiled, clean them with a soft cloth.

2. Setting the Focus Mode



To shoot in autofocus (AF) mode, set the focus mode switch to AF. To use only manual focusing (MF), set the focus mode switch to MF, and focus by turning the focusing ring.



- Delayed focus may occur if the focusing ring is quickly turned.
- Due to the structural characteristics, the focus lens driving speed may vary according to the variation in the air temperature and posture.
- Do not touch the operating part in the front of the lens while the focus lens is operating. If external pressure is applied to the moving part, the lens initialization may be performed to return the focus lens to the correct position for control purposes.

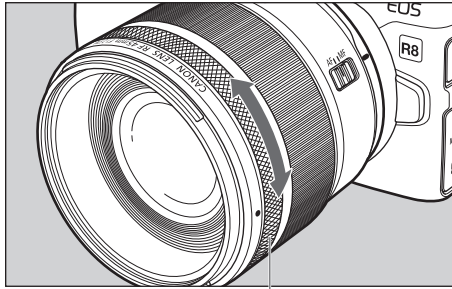


- The lens' focusing ring is electronic.
- The lens supports both lens electronic MF and electronic full-time MF.
- When movie recording, the AF speed will be slower than the still photo shooting mode. It is possible to adjust the AF speed on the camera by setting Movie Servo AF to [Enable].

Please refer to the camera's instructions for details.

3. Control Ring

The control ring can be assigned the functions that are commonly used with cameras, such as shutter speed and aperture settings.



Control ring

The click action of the control ring allows you to have a sense of how much it is being turned.

Please refer to the camera's instructions for details on how to use the control ring.

- There are cases in which the sound of control ring operations may be recorded when shooting movies.

- The clicking sensation of the control ring can be removed by the Canon Service Center. (chargeable)
- The focus ring can be used as the control ring by changing the camera settings*. However, when the focus ring is used as the control ring, the original control ring operation will be disabled. Please refer to the camera's instructions for details.

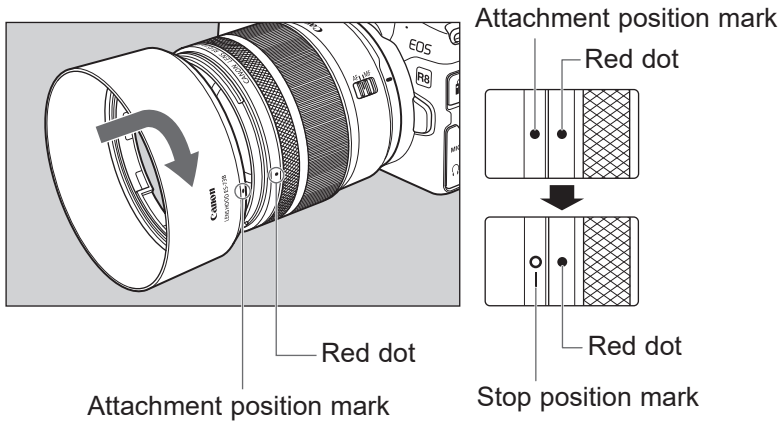
* Excluding EOS R, RP, Ra, R5, and R6.

4. Hood (Sold separately)

The custom lens hood reduces unwanted light that causes flare and ghosting and protects the front of the lens from rain, snow, and dust.

Attaching the Hood

Align the red attachment position mark on the hood with the red dot on the front of the lens, and then turn the hood in the direction of the arrow until you hear a click.

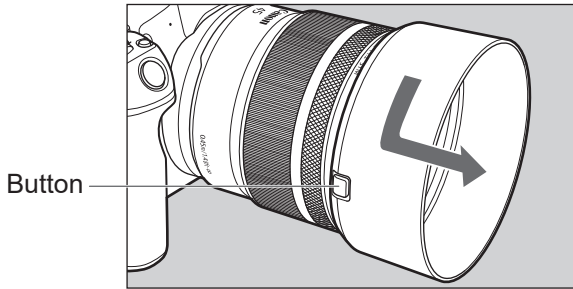


Hood (Sold separately)

Detaching the Hood

Keep your finger pressed down on the button located on the side of the hood, and then turn the hood in the direction of the arrow until the attachment position mark on the hood is aligned with the red dot on the front of the lens to detach it.

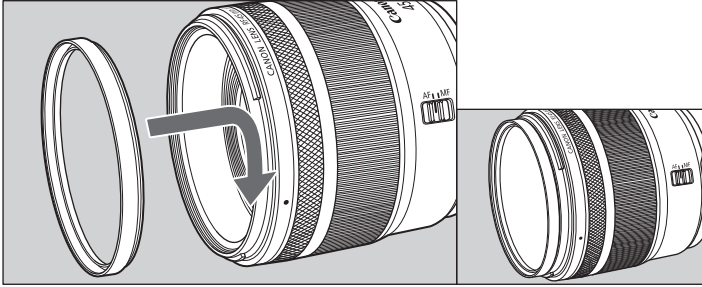
The hood can be reverse-mounted on the lens for storage.



- If the hood is not attached properly, vignetting (darkening of the perimeter of the picture) may occur.
- Grasp and turn the base of the hood when attaching and detaching it. There are cases in which it may become deformed if the hood is turned with it grasped near to the rim.

5. Filters (Sold separately)

You can attach filters (Φ67) to the filter mounting thread on the front of the lens.



- Only one filter may be attached.
- If you need a polarizing filter, use the Canon Circular Polarizing Filter PL-C B.
- Detach the hood when adjusting the polarizing filter.

Specifications

Focal Length/ Aperture	45mm f/1.2
Lens Construction	7 groups, 9 elements
Maximum Aperture	f/1.2
Minimum Aperture	f/16
Angle of View	Horizontal: 43°35', Vertical: 29°50', Diagonal: 51°20'
Min. Focusing Distance	0.45 m/1.48 ft.
Max. Magnification	0.13x
Field of View	Approx. 263 x 175 mm/10.35 x 6.89 in.
Filter Diameter	67 mm
Max. Diameter and Length	Approx. 78.0 x 75.0 mm/3.07 x 2.95 in.
Weight	Approx. 346 g/12.20 oz.
Hood	ES-73B (Sold separately)
Lens Cap	E-67II*
Lens Dust Cap	Lens Dust Cap RF*
Case	LP1116 (Sold separately)

* This comes included with the lens, but can also be purchased separately.

Specifications

- The lens length is measured from the lens mount surface to the front end of the lens.
Add 24.2 mm/0.95 in. when including the lens cap and dust cap.
- The maximum diameter, length and weight listed are for the lens itself only.
- Close-up Lens 250D/500D cannot be attached because there is no size that fits the lens.
- You cannot use extenders.
- Multiple exposure shooting is not possible when using this lens on certain cameras*.
* EOS R, RP, Ra, R5, R5C, R6
- All data listed is measured according to Canon standards.
- Product specifications and appearance are subject to change without notice.

Canon