

*If you have questions or comments, contact us.
Si tiene dudas o comentarios, contáctenos.*

1-888-394-3392

**INSTRUCTION MANUAL
MANUAL DE INSTRUCCIONES**

DEWALT®

DXAE20VBB / DXAE20VBBK

Cordless Vehicle Battery Charger/Jump Starter

Cargador de vehículo inalámbrico / Arrancador de batería



RD091122

Note:

DXAE20VBBK is packaged in a kit format to include both the Battery Maintainer and the accessories (DeWalt 20V Charger and Battery). This instruction manual covers operation of the Battery Maintainer. Please read and refer to the additional manual (included) for instructions specific to the Battery and Charger (Charger model DCB115).

Nota:

El DXAE20VBBK es empaquetado en formato de kit para incluir tanto el Mantenedor de la Batería como los accesorios (el Cargador y la Batería DeWalt 20V). Este manual de instrucciones cubre el funcionamiento del Mantenedor de la Batería. Lea y consulte el manual adicional que se incluye para obtener instrucciones específicas para la Batería y el Cargador (modelo de Cargador: DCB115).



⚠ WARNING: Read all instructions before operating product. Failure to follow all instructions listed below may result in electric shock, fire and/or serious injury.

⚠ WARNING: This product or its power cord contains lead, a chemical known to the State of California to cause cancer and birth defect or other reproductive harm. Wash hands after handling. For more information go to www.P65Warnings.ca.gov.



⚠ ADVERTENCIA: Lea todas las instrucciones antes de utilizar el producto. No seguir todas las instrucciones que aparecen a continuación pueden provocar descargas eléctricas, incendios y/o lesiones graves.

⚠ ADVERTENCIA: Este producto o su cable de alimentación contiene plomo, una sustancia química reconocida por el Estado de California como causante de cáncer, defectos de nacimiento u otros problemas reproductivos. Lávese las manos después de utilizarlo. Para más información, visite www.P65Warnings.ca.gov.

Definitions: Safety Guidelines

The definitions below describe the level of severity for each signal word. Please read the manual and pay attention to these symbols.

⚠ DANGER: Indicates an imminently hazardous situation which, if not avoided, **will** result in **death or serious injury**.

⚠ WARNING: Indicates a potentially hazardous situation which, if not avoided, **could** result in **death or serious injury**.

⚠ CAUTION: Indicates a potentially hazardous situation which, if not avoided, **may** result in **minor or moderate injury**.

NOTICE: Indicates a practice **not related to personal injury** which, if not avoided, **may** result in **property damage**.

IF YOU HAVE ANY QUESTIONS OR COMMENTS ABOUT THIS DeWALT TOOL, CALL US TOLL FREE AT: **1-888-394-3392**.

Battery Charger

The DeWALT® DXAE20VBB/DXAE20VBBK Cordless Vehicle Battery Charger features a 20A cordless vehicle battery charging function, two USB ports and a dual LED light.

Important Safety Instructions

1. Save these instructions.
2. Heed all warnings.
3. Follow all instructions.
4. DO NOT EXPOSE CHARGER TO RAIN OR SNOW.
5. Clean only with a dry cloth.
6. Keep children away from the work area. Keep this unit away from children. This is not a toy!
7. Store indoors. When not in use, this unit should be stored indoors in a dry and high or locked-up place – out of the reach of children.
8. Stay alert. Use common sense. Do not operate this equipment when you are tired or impaired.
9. Only use attachments/accessories specified by the manufacturer. The use of any accessory or attachment not recommended for use with this appliance could be hazardous.
10. Use only on a flat, level surface. If a cart is used, use caution when moving the cart/apparatus combination to avoid injury from tip-over.
11. To reduce risk of electric shock, disconnect the unit from the 20V battery pack before attempting maintenance or cleaning. Turning off controls without disconnecting will not reduce this risk.
12. Do not operate charger if it has received a sharp blow, been dropped or otherwise damaged in any way; take it to a qualified serviceman.
13. Unit shall not be exposed to dripping or splashing and no objects filled with liquids shall be placed on the unit.



14. Do not operate this unit near flammable liquids or in gaseous or explosive atmospheres. Motors in these tools normally spark, and the sparks might ignite fumes.

⚠ WARNING – RISK OF EXPLOSIVE GAS MIXTURE

- Do not overcharge the battery – See the instruction manual.
- Never smoke or allow a spark or flame in vicinity of vehicle battery, engine or battery charger.
- Do not operate this apparatus in a closed area or restrict ventilation in any way.

NOTICE: This equipment has been tested and found to comply with the limits for a Class B digital device, pursuant to Part 15 of the FCC Rules. These limits are designed to provide reasonable protection against harmful interference in a residential installation. This equipment generates, uses and can radiate radio frequency energy and, if not installed and used in accordance with the instructions, may cause harmful interference to radio communications. However, there is no guarantee that interference will not occur in a particular installation. If this equipment does cause harmful interference to radio or television reception, which can be determined by turning the equipment off and on, the user is encouraged to try to correct the interference by one or more of the following measures:

- Reorient or relocate the receiving antenna.
- Increase the separation between the equipment and the receiver.
- Connect the equipment into an outlet on a circuit different from that to which the receiver is connected
- Consult the dealer or an experienced radio/TV technician for help.

NOTICE: Per FCC Part 15, changes or modifications to this equipment not expressly approved by manufacturer could void your authority to operate this equipment.

READ ALL INSTRUCTIONS

Specific Safety Instructions for DeWALT® 20V Lithium-Ion Battery Packs (optional accessory)

⚠ WARNING – To reduce the risk of fire, electric shock, burst hazard, or injury to persons or property:

Lithium-ion batteries must be used and charged properly. Improper use can result in serious injury, fire, or death.

- Lithium-ion batteries can explode in the presence of a source of ignition. Do not use the product in the presence of an open flame.
- Do not place this lithium-ion battery powered unit in fire or apply heat to it.
- Do not subject this lithium-ion battery powered unit to strong impacts or shocks. The battery in this unit contains safety and protection devices which, if damaged, may cause the battery to generate heat, rupture or ignite.
- Do not expose this lithium-ion battery powered unit to water or salt water, or allow the battery to get wet.
- Avoid storing this lithium-ion battery powered unit in the basement, bathroom or other areas of the house that are or may become wet or humid or where moisture may concentrate.
- Do not leave this lithium-ion battery powered unit in direct sunlight, or use or store the unit inside cars in hot weather. Doing so may cause the battery to generate heat, rupture, or ignite. Using the battery in this manner may also result in a loss of performance and a shortened life expectancy.
- Never charge this unit near heat or flammable objects.

⚠ WARNING: NEVER THROW WATER ON A BURNING LI-ION BATTERY! If a lithium-ion battery does catch on fire, it will burn even more violently if it comes in contact with water or even moisture in the air. A fire extinguisher must be used.

⚠ WARNING: DO NOT expose the power pack to fire or excessive temperature. Exposure to fire or temperature above 130°C (265°F) may cause explosion.

Specific Safety Instructions for Vehicle Battery Chargers

⚠ WARNING – Do not use battery charger for charging dry-cell batteries that are commonly used with home appliances. These batteries may burst and cause injury to persons and damage to property. Use charger for charging a LEAD-ACID battery only. It is not intended to supply power to a low voltage electrical system other than in a starter-motor application.

• **Use of accessories and attachments:** The use of any accessory or attachment not recommended by manufacturer for use with this battery charger could be hazardous.

• **Do not operate** the battery charger near flammable liquids or in gaseous or explosive atmospheres. Motors may spark, and the sparks might ignite fumes.

⚠ WARNING: To reduce the risk of electric shock, never immerse the battery charger in water or any other liquid, or use when wet.

⚠ WARNING – Risk of explosive gases:

• Working in the vicinity of a lead acid battery is dangerous. Batteries generate explosive gases during normal battery operation. For this reason, it is of the utmost importance that you follow the instructions each time you use the charger.

• To reduce the risk of battery explosion, follow these instructions and those published by the battery manufacturer and manufacturer of any equipment you intend to use in the vicinity of the battery. Review cautionary markings on these products and on the engine.

• This equipment employs parts (switches, relays, etc.) that produce arcs or sparks. Therefore, if used in a garage or enclosed area, the unit **MUST** be placed not less than 18 inches above the floor.

• **THIS UNIT IS NOT FOR USE BY CHILDREN AND SHOULD ONLY BE OPERATED BY ADULTS.**

⚠ WARNING – To reduce the risk of fire:

- Do not operate near flammable materials, dust, fumes or gases.
- Do not expose to extreme heat or flames.

⚠ CAUTION – To reduce the risk of injury or property damage:

- NEVER charge a frozen battery.
- Stay clear of fan blades, belts, pulleys, and other parts that can cause injury to persons.
- Vehicles that have on-board computerized systems may be damaged if vehicle battery is boosted. Before boosting, read the vehicle's owner's manual to confirm that external-starting assistance is suitable.
- Be extra cautious to avoid dropping a metal tool onto the battery. It might spark or short-circuit the battery or another electrical part, and that may cause an explosion.
- Never allow battery acid to come in contact with this apparatus.
- Always turn the Vehicle Battery Charger off and disconnect the DeWALT® 20V Battery Pack it when not in use.
- **DO NOT OPEN THE VEHICLE BATTERY CHARGER** — there are no user-serviceable parts inside. Opening the battery charger will void manufacturer's warranty.
- Operate battery charger only as described in this Instruction Manual.
- Check battery charger and components periodically for wear and tear. Return to manufacturer for replacement of worn or defective parts immediately.

⚠ WARNING: To reduce the risk of injury, follow these instructions and those published by the battery manufacturer and manufacturer of any equipment you intend to use with this unit. Review cautionary markings on this product and on engine.

Specific Safety Instructions for the USB Ports

- Do not insert foreign objects into the USB Ports.
- Do not attach USB hubs or more than one personal electronic device to each USB Port.
- Do not use this unit to operate appliances that require more than 2.1 amps in total to operate from the USB Ports.
- Some household USB-powered electronics will not operate with this unit.

The RBRC™ Seal

The RBRC™ (Rechargeable Battery Recycling Corporation) Seal on the nickel cadmium, nickel metal hydride or lithium ion batteries (or battery packs) indicate that the costs to recycle these batteries (or battery packs) at the end of their useful life have already been paid by DeWALT. In some areas, it is illegal to place spent nickel cadmium, nickel metal hydride or lithium ion batteries in the trash or municipal solid waste stream and the RBRC program provides an environmentally conscious alternative.

RBRC™, in cooperation with DeWALT and other battery users, has established programs in the United States and Canada to facilitate the collection of spent nickel cadmium, nickel metal hydride or lithium ion batteries. Help protect our environment and conserve natural resources by returning the spent nickel cadmium, nickel metal hydride or lithium ion batteries to an authorized DeWALT service center or to your local retailer for recycling. You may also contact your local recycling center for information on where to drop off the spent battery.

RBRC™ is a registered trademark of the **Rechargeable Battery Recycling Corporation**.



Important Safety Instructions for All DeWALT® 20V Battery Pack Chargers (optional accessory)

IMPORTANT: Before using the charger, read all instructions and warnings included with the charger and the battery pack.

▲ WARNING – Shock hazard: Do not allow any liquid to get inside the charger. Electric shock may result.

▲ CAUTION – Burn hazard: To reduce the risk of injury, charge only DeWALT rechargeable battery packs. Other types of batteries may overheat and burst resulting in personal injury and property damage.

NOTICE: Always unplug the charger from the power supply when there is no battery pack in the cavity. Unplug the charger before attempting to clean.

- DO NOT attempt to charge the battery pack with any chargers other than the ones in this manual. The charger and battery pack are specifically designed to work together.
- These chargers are not intended for any uses other than charging DeWALT rechargeable batteries. Any other uses may result in risk of fire, electric shock or electrocution.
- Do not expose the charger to rain or snow.
- Pull by the plug rather than the cord when disconnecting the charger to reduce the risk of damage to the electric plug and cord.
- Make sure that the cord is located so that it will not be stepped on, tripped over or otherwise subjected to damage or stress.
- Do not use an extension cord unless it is absolutely necessary. Use of improper extension cord could result in risk of fire, electric shock or electrocution.
- When operating a charger outdoors, always provide a dry location and use an extension cord suitable for outdoor use.
- An extension cord must have adequate wire size (AWG) for safety. The smaller the gauge number of the wire, the greater the capacity

of the cable, that is, 16 gauge has more capacity than 18 gauge. An undersized cord will cause a drop in line voltage resulting in loss of power and overheating. The following table shows the correct size to use depending on cord length and nameplate ampere rating. If in doubt, use the next heavier gauge. The lower the gauge number, the heavier the cord.

MINIMUM GAGE FOR CORD SETS				
Total Length of Cord in Feet				
Volts				
120V	0-25 (0-7.6m)	26-50 (7.6-15.2m)	51-100 (15.2-30.4m)	101-150 (30.4-45.7m)
240V	0-50 (0-15.2m)	51-100 (15.2-30.4m)	101-200 (30.4-60.9m)	201-300 (60.9-91.4m)
Ampere Rating		Extension Cord Length		
More Than	Not more Than	0'-25'	26'-50'	51'-100'
American Wire Gage (AWG)				
0 -	6	18	16	16
6 -	10	18	16	14
10 -	12	16	16	14
12 -	16	14	12	Not Recommended

- Do not place any object on top of the charger or place the charger on a soft surface that might block the ventilation slots and result in excessive internal heat. Place the charger in a position away from any heat source.
- Do not operate the charger with a damaged cord or plug.
- Do not operate the charger if it has received a sharp blow, been dropped or otherwise damaged in any way.
- Do not disassemble the charger. Incorrect reassembly may result in a risk of electric shock, electrocution or fire.
- Disconnect the charger from the outlet before attempting any cleaning. This will reduce the risk of electric shock. Removing the battery pack will not reduce this risk.

- NEVER attempt to connect two chargers together.
- The charger is designed to operate on standard 120V household electrical power. Do not attempt to use it on any other voltage.

Personal Precautions

- Consider having someone close enough by to come to your aid when you work near a lead-acid battery.
- Wear complete eye protection and clothing protection. Avoid touching eyes while working near battery.
- Have plenty of fresh water and soap nearby in case battery acid contacts skin, clothing, or eyes.
- Remove personal metal items such as rings, bracelets, necklaces and watches when working with a lead acid battery. A lead acid battery can produce a short circuit current high enough to weld a ring, or similar metal object, to skin causing a severe burn.
- If battery acid contacts skin or clothing, wash immediately with soap and water. If acid enters eye, immediately flood eye with running cold water for at least 10 minutes and get medical attention immediately.
- NEVER smoke or allow a spark or flame in vicinity of battery or engine.
- Be extra cautious to reduce risk of dropping a metal tool onto battery. It might spark or short-circuit battery or other electrical part that may cause explosion.

Important Notes:

Several factors can affect a charger's ability to charge a vehicle's battery, including, but not limited to, the size of the vehicle battery, the temperature (hot or cold), whether the battery is damaged or defective, and whether the **DEWALT® 20V Battery Pack** is fully charged.

The **DeWALT® Vehicle Battery Charger** requires a minimum voltage to detect the correct connection before it will begin to charge. If the voltage of the vehicle battery is too low, the charger may not be able to detect connection and may not be able to charge the vehicle. While this low battery voltage is rare, it may occur under extreme conditions.

SAVE THESE INSTRUCTIONS FOR FUTURE USE

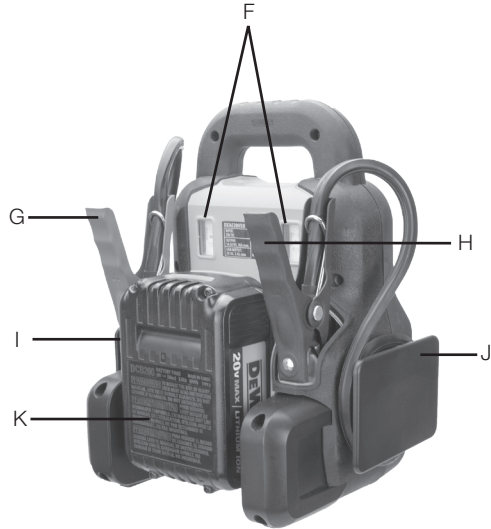
Components (Fig. 1)

- A. Handle
- B. LED Light Power Button
- C. ONE TOUCH® Boost/ Charge Button and status indicator.
- D. USB Power Button
- E. Dual USB Ports



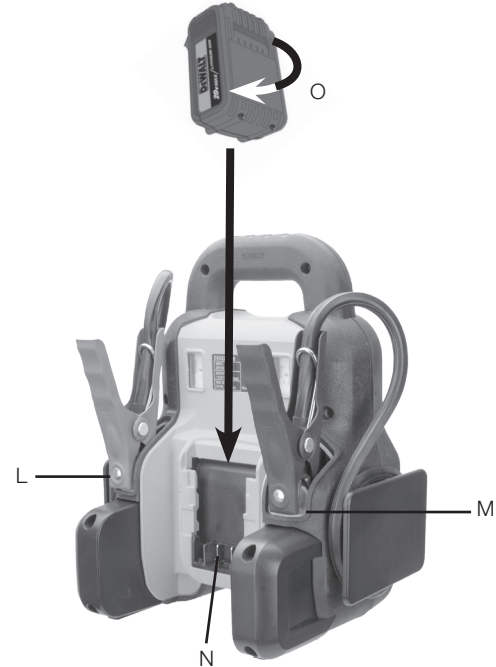
Back Panel Components (Fig. 2a)

- F. Dual LED Lights
- G. Positive (+) Red Clamp
- H. Negative (-) Black Clamp
- I. Positive (+) Cable Wrap
- J. Negative (-) Cable Wrap
- K. DeWALT® 20V Lithium Battery Pack (optional accessory)



Back Panel Components (Fig. 2b)

- L. Positive (+) Red Clamp
- M. Negative (-) Black Clamp
- N. Battery Pack Terminal Connector
- O. DeWALT® 20V Battery Pack (fits flush within the brackets of the Battery Pack Terminal Connector – refer to Fig. 2a)



Power Supply

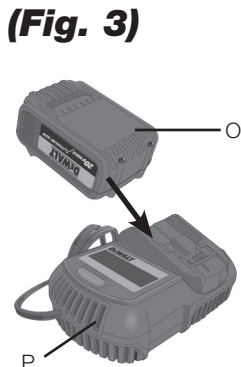
The DeWALT® 20V Battery Pack is an optional accessory. This unit is powered exclusively by the DeWALT® 20V Battery Pack (optional accessory). It must be fully recharged via the compatible DeWALT® dedicated Battery Charger (optional accessory). Refer to the corresponding instructions included with the Battery Pack and Charger. In order to operate this Vehicle Battery Charger, the fully charged DeWALT® 20V Battery Pack must be properly installed into the 20V battery terminal connector on the back of unit. Make sure the DeWALT® 20V Battery Pack is properly locked into the battery pack terminal connector (N) (as shown in Figure 2b).

Chargers

- DeWALT® 20V Battery Packs use DeWALT chargers. Be sure to read all safety instructions before using the charger.
- Consult the chart at the end of this manual for compatibility of chargers and DeWALT® 20V battery packs.

CHARGING PROCEDURE

1. Plug the charger into an appropriate outlet before inserting the DeWALT® 20V battery pack.
2. Insert the battery pack (O) into the charger (P), as shown in Figure 3, making sure the pack is fully seated in charger. The red (charging) light will blink continuously, indicating that the charging process has started.
3. The completion of charge will be indicated by the red light remaining ON continuously. The pack is fully charged and may be used at this time or left in the charger.



Operating Instructions

Automotive Charging Using the Included Battery Clamps

PREPARING TO CHARGE

1. Determine voltage of vehicle battery by referring to car owner's manual and make sure it matches output rating of Vehicle Battery Charger (12V).
2. If necessary to remove battery from vehicle to charge, always remove grounded terminal from battery first. Make sure all accessories in the vehicle are off, so as not to cause an arc.
3. Be sure the area around the vehicle battery is well-ventilated while the vehicle battery is being charged.
4. Clean the vehicle battery terminals. Be careful to keep corrosion from coming in contact with eyes.
5. For non-maintenance-free batteries, add distilled water in each cell until battery acid reaches the level specified by the battery manufacturer. This helps purge excessive gas from cells. Do not overfill. For a battery without removable cell caps, such as valve regulated lead acid batteries, carefully follow manufacturer's recharging instructions.
6. STUDY ALL BATTERY MANUFACTURER'S SPECIFIC PRECAUTIONS, SUCH AS REMOVING OR NOT REMOVING CELL CAPS WHILE CHARGING, AND RECOMMENDED RATES OF CHARGE.

CHARGER LOCATION

- Locate the charger as far away from the vehicle battery as DC cables permit.
- Never place the charger directly above the vehicle battery being charged; gases from the battery will corrode and damage the charger.

- Never allow battery acid to drip on charger when reading electrolyte specific gravity or filling battery.
- Never operate the charger in a closed-in area or restrict ventilation in any way.
- Do not set a vehicle battery on top of the charger.

⚠ CONNECTION PRECAUTIONS

- *Connect and disconnect output clamps only after removing AC Power Cord from electric outlet.*
- *Ensure the unit is turned off before connecting or disconnecting the battery clamps.*
- *Never allow the clamps to touch each other.*
- *Attach the clamps to the battery and chassis as indicated in the appropriate section (“Charging a battery installed in a vehicle” or “Charging a battery that has been removed from a vehicle”).*
- *A marine (boat) battery must be removed and charged on shore. To charge it on board requires equipment specifically designed for marine use. This unit is NOT designed for such use*

FOLLOW THESE STEPS WHEN THE BATTERY IS INSTALLED IN A VEHICLE

⚠ **WARNING** – *A spark near the battery may cause an explosion. To reduce risk of a spark near the battery:*

1. Do not charge the battery while the engine is operating.
2. Position the cords to reduce risk of damage by hood, door, or moving engine part.
3. Stay clear of fan blades, belts, pulleys, and other parts that can cause injury to persons.
4. Check polarity of the battery posts. The positive post (marked POS, P, +) usually has a larger diameter than the negative battery post (marked NEG, N, -).
5. Determine which post of battery is grounded (connected) to the chassis. If negative post is grounded to chassis (as in most vehicles), see 6. If positive post is grounded to the chassis, see 7.

6. For a negative-grounded vehicle, connect the positive (red) clamp from the battery charger to the positive (POS, P, +) ungrounded post of battery. Connect the negative (BLACK) clamp to vehicle chassis or engine block away from battery. Do not connect clip to carburetor, fuel lines, or sheet-metal body parts. Connect to heavy gauge metal part of the frame or engine block.
7. For a positive-grounded vehicle, connect the negative (black) clamp from the battery charger to the negative (NEG, N, -) ungrounded post of battery. Connect positive (RED) clamp to vehicle chassis or engine block away from battery. Do not connect clip to carburetor, fuel lines or sheet-metal body parts. Connect to a heavy gauge metal part of the frame or engine block.
8. See operating instructions for length of charge information.
9. When disconnecting charger, press the charge button again to turn the unit off, remove the clamp from vehicle chassis, and then remove the clamp from the battery terminal.

FOLLOW THESE STEPS WHEN THE BATTERY HAS BEEN REMOVED FROM A VEHICLE

⚠ **WARNING** – *A spark near the battery may cause an explosion. To reduce risk of a spark near the battery:*

1. Check polarity of the battery posts. The positive post (marked POS, P, +) usually has a larger diameter than the negative battery post (marked NEG, N, -).
2. Attach a 24-inch (minimum length) AWG #6 insulated battery cable to the negative battery post (marked NEG, N, -).
3. Connect the positive (RED) clamp to the positive battery post (red or marked POS, P, +).
4. Stand as far back from the battery as possible, and do not face the battery when making final connection.
5. Carefully connect the negative (BLACK) clamp to the free end of the battery cable connected to the negative terminal.

- When disconnecting the charger, always do so in reverse sequence of connecting procedure and break first connection while as far away from battery as practical.

FUNCTION OF THE CHARGE STATUS/FAULT INDICATOR LED DURING CHARGING/BOOSTING

- After connecting the Vehicle Battery Charger to the vehicle battery and pressing the charge button, the Charge Status/Fault Indicator will flash green for several minutes.
- Once the Charge Status/Fault Indicator turns solid green, your vehicle should be ready to start.
- The light will remain solid green as the unit continues to charge/boost unless it is either disconnected from the vehicle battery or the DeWALT® 20V Battery Pack is depleted, in which case it will light solid red for 60 seconds before automatically shutting down.
- Once the vehicle starts, remove the Battery Clamps from the vehicle battery. Refer to the Notes that follow.

IMPORTANT NOTES:

- If the battery clamps are incorrectly connected with regard to polarity, the Charge Status/Fault Indicator will flash red until the clamps are disconnected. Remove the clamps and then reconnect them with correct polarity.
- If the voltage of the DeWALT® 20V Battery Pack is low or it has insufficient output power, the Charge Status/Fault Indicator will light solid red for 60 seconds before the Vehicle Battery Charger automatically shuts down. Refer to the “Troubleshooting” section.
- If the DeWALT® 20V Battery Pack is overheated or is too cold, the Vehicle Battery Charger will automatically shut down. Refer to the “Troubleshooting” section.
- If the Battery Clamps are disconnected from the vehicle battery, the Vehicle Battery Charger will automatically shut down.

⚠ CAUTION – To reduce the risk of property damage:

- Excessive engine cranking can damage the vehicle’s starter motor. If the engine fails to start after the recommended number of attempts, discontinue jump-start procedure and look for other problems that need to be corrected.*
- If vehicle fails to start, turn off the ignition, disconnect the booster and contact a qualified technician to investigate why the engine did not start.*

Operating the Unit’s Dual USB Ports

The dual USB Ports are located on the front of the unit and are controlled by the USB Power Button. Refer to the “Fig. 1” to locate.

- Press the USB Power Button on the unit once. The Boost Status/Fault Indicator will light amber, indicating both USB ports are ready to use.
- Plug the USB-powered device into the USB port(s) and operate normally.
- Press the Power Button on the unit a second time to turn both USB ports off.

IMPORTANT NOTES:

- Do NOT use the USB Ports while you are attempting to charge an vehicle battery.** The Charge Status/Fault Indicator will not reflect USB Port usage (by lighting solid amber) when the unit is used in Charge mode.
- Make sure the USB ports are turned off when the unit is being stored.*
- When the USB Ports are in use, the unit will monitor for the following USB fault conditions on all the USB Ports:*
 - If a low DeWALT® 20V Battery Pack battery voltage fault exists, the Charge Status/Fault Indicator will flash amber for 60 seconds and then the unit will shut down.*
 - If an overload or short-circuit occurs in either USB port, the Charge Status/Fault Indicator will flash red.*

In either of these cases, disconnect the USB-powered device immediately and make sure the unit's DeWALT® 20V Battery Pack does not need to be recharged. Allow the unit to cool down for several minutes before attempting to use the USB Ports again. If a fault occurs again, make sure that the total draw of the USB devices plugged into the USB Ports does not exceed 2.1A (5V). If an individual USB device is within specifications and the fault occurs, have the USB device checked for malfunction and do not continue to use it with these USB Ports.

- This unit's USB Ports do not support data communication. They only provide power to external USB-powered devices. The USB Ports provide a total of 2.1A (5V).
- Some USB-powered household electronics may not operate with this unit's USB ports. Check the manual of the corresponding electronic device to confirm that it can be used with this type of USB port.

Operating the Unit's LED Lights

The dual LED Lights are located on the back of the unit and are both controlled by the LED Light Power Button. Refer to the "Fig. 2a" to locate.

1. Press the LED Light Power Button once to turn both LED lights on.
2. Press the LED Light Power Button again to turn both LED lights off.

NOTICE: Make sure the LED Lights are turned off when it is being stored.

Maintenance Instructions

Never submerge the unit in water. If the unit gets dirty, gently clean the outer surfaces of the unit with a soft, dry cloth.

There are no user-replaceable parts. Periodically inspect the condition of connectors and wires. Contact manufacturer to replace any components that have become worn or broken.

Troubleshooting

Problem	Possible Solution
The unit will not charge the vehicle battery	Make sure the translucent Charge Button has been pressed to turn the Charger on.
	Make sure a proper polarity cable connection has been established.
	The vehicle battery may in fault condition and cannot accept the charging. Manufacturer recommends taking it to a certified automotive service center for evaluation.
	The voltage of the DeWALT® 20V Battery Pack may be low or it has insufficient output power. The Charge Status/Fault Indicator will light red for 60 seconds before the Vehicle Battery Charger automatically shuts down. Disconnect the Vehicle Battery and fully charge the DeWALT® 20V Battery Pack, following the directions included with the dedicated DeWALT® 20V Battery Pack Charger.
	If the DeWALT® 20V Battery Pack is overheated or is too cold, the Battery Charger will automatically shut down. Disconnect the Battery Clamps and allow the unit to cool down or warm up for a period before resuming any operation.

Problem	Possible Solution
The LED Lights will not operate	Make sure the Area Light Power Button has been pressed to turn the LED lights on
	Check that DEWALT® 20V Battery Pack has a full charge. Recharge if necessary.
USB Port will not power appliance	Make sure the USB Power Button has been pressed to turn the USB Ports on and the Charge Status/Fault Indicator lights solidly in amber.
USB Port will not power appliance (continued)	If a fault condition exists in either of the USB Ports, the Charge Status/Fault Indicator will flash red. Refer to the Important Notes in the “Operating the Unit’s Dual USB Ports” section to remedy any faults.
	Make sure that the draw of the USB device plugged into the USB Port does not exceed 5V/2.1A.
	Some USB-powered household electronics will not operate with this USB charging/power port. Check the manual of the corresponding electronic device to confirm that it can be used with this type of USB charging/power port.
	Check that DEWALT® 20V Battery Pack has a full charge. Recharge the battery pack if necessary.

Accessories

▲WARNING: Since accessories, other than those offered by manufacturer, have not been tested with this product, use of such accessories with this unit could be hazardous. To reduce the risk of injury, only manufacturer-recommended accessories should be used with this product.

If you need assistance regarding accessories, please contact the manufacturer at 1-888-394-3392 or CustomerService@dewalt12volt.com.

Service Information

Whether you need technical advice, repair, or genuine factory replacement parts, contact the manufacturer at 1-888-394-3392 or CustomerService@dewalt12volt.com.

One Year Limited Warranty

The manufacturer warrants this product against defects in material and workmanship for a period of one (1) year from the date of retail purchase by the original end-user purchaser (“Warranty Period”).

If there is a defect and a valid claim is received within the Warranty Period, the defective product can be repaired, replaced or refunded, without charge, in the following ways: (1) Return the product to the manufacturer for repair, replacement or refund at manufacturer’s option. Proof of purchase may be required by manufacturer. (2) Return the product to the retailer where product was purchased for an exchange (provided that the store is a participating retailer). Returns to retailer should be made within the time period of the retailer’s return policy for exchanges only (usually 30 to 90 days after the sale). Proof of purchase may be required. Please check with the retailer for their specific return policy regarding returns that are beyond the time set for exchanges.

This warranty does not apply to: accessories, bulbs, fuses and batteries; defects resulting from normal wear and tear, accidents;

damages sustained during shipping; alterations; unauthorized use or repair; neglect, misuse, abuse; and failure to follow instructions for care and maintenance for the product.

This warranty gives you, the original retail purchaser, specific legal rights and you may have other rights which vary in certain states or provinces. This product is not intended for commercial use.

90 DAY REFUND POLICY

If you are not completely satisfied with the performance of this product for any reason, you can return it within ninety (90) days from the date of purchase with a receipt for a full refund.

Please visit our website www.baccusglobal.com/register to register your new Baccus Global LLC product and to be kept up to date on new products and special offers.

Specifications

Input:	20V DC
Output:	14.5V DC, 20A max.
USB Ports:	5V DC, 2.1A max.
LED Lights:	(2x) 2 white LEDs

Compatible DeWALT® 20V Battery Packs

This Vehicle Battery Charger is compatible (only) with the following 20 Volt DeWALT® Battery Packs:

Battery Pack Catalog #	120 Volt Battery Charger Catalog #
DCB200	DCB101, DCB102, DCB103, DCB106, DCB107, DCB112, DCB115
DCB201	
DCB203	
DCB204	
DCB205	
DCB206	
DCB207	
DCB606	
DCB609	

Imported by Baccus Global LLC,
621 NW 53rd St., Suite 450, Boca Raton, FL 33487
www.dewalt12volt.com 1-888-394-3392
Made in China

Copyright © 2022 Baccus Global, LLC. DeWALT® and the DeWALT Logo are trademarks of the DeWALT Industrial Tool Co., or an affiliate thereof and are used under license. The yellow/black color scheme is a trademark for DeWALT power tools & accessories.
www.dewalt.com

Definiciones: Normas de seguridad

Las siguientes definiciones describen el nivel de gravedad de cada palabra de señal. Lea el manual y preste atención a estos símbolos.

▲ **PELIGRO:** Indica una situación de peligro inminente que, si no se evita, provocará **la muerte o lesiones graves**.

▲ **ADVERTENCIA:** Indica una situación de peligro potencial que, si no se evita, **podría provocar la muerte o lesiones graves**.

▲ **ATENCIÓN:** Indica una situación de peligro potencial que, si no se evita, **posiblemente provocaría lesiones leves o moderadas**.

AVISO: Se refiere a una práctica **no relacionada a lesiones corporales** que de no evitarse **puede resultar en daños a la propiedad**.

SI TIENE ALGUNA DUDA O ALGÚN COMENTARIO SOBRE ÉSTA HERRAMIENTA DeWALT, LLÁMENOS AL NÚMERO GRATUITO: **1-888-394-3392**.

Cargador de Batería

El DXAE20VBB/DXAE20VBBK cargador de batería es un cargador de batería de DeWALT® que tiene una función de carga de batería inalámbrica de 20 Amp, dos puertos USB y una doble luz LED.

Instrucciones importantes sobre seguridad

1. Conserve estas instrucciones.
2. Preste atención a todas las advertencias.
3. Obedezca todas las advertencias.
4. **NO EXPONGA EL CARGADOR A LA LLUVIA O A LA NIEVE.**
5. Limpie únicamente con un trapo seco.
6. Mantenga a los niños lejos del área de trabajo. Mantenga esta unidad alejada de los niños. Esto no es un juguete!
7. Guarde en el interior. Cuando no los utilice, los artefactos deben guardarse bajo techo, en un lugar seco, alto o bajo llave, lejos del alcance de los niños.
8. Manténgase alerta. Use el sentido común. No opere este equipo si está cansado o con impedimentos.
9. Utilice únicamente los aditamentos y accesorios especificados por el fabricante. El uso de cualquier accesorio o dispositivo no recomendados para su uso con este aparato puede resultar peligroso.
10. Utilice únicamente sobre una superficie plana y nivelada. Cuando use un carrito, tenga cuidado al mover la combinación de carro/aparato para evitar daños por vuelco.
11. Para reducir el riesgo de descarga eléctrica, desconecte la unidad del paquete de baterías antes de mantenimiento o limpieza. Apagar los controles sin desconectar no reducirá este riesgo.



12. No utilice el cargador si ha recibido un golpe fuerte, se ha caído o se ha dañado de alguna otra manera; llévelo a un técnico cualificado.
13. El aparato no quedará expuesto a goteos ni a salpicaduras, y no se colocarán sobre el aparato objetos llenos de líquido tales como jarrones.
14. No funcione el aparato cerca de líquidos inflamables o en atmósferas gaseosas o explosivas. Los motores de estas herramientas normalmente chispean, y las chispas pueden encender los vapores.
15. Este equipo emplea piezas (interruptores y relés) que producen arcos o chispas. Por lo tanto, si utiliza la unidad en una cochera o un área cerrada, DEBE colocarla a no menos de 457 mm (18 pulgadas) por encima del piso.

⚠ ADVERTENCIA – RIESGO DE MEZCLA DE GAS EXPLOSIVA

- No sobrecargue la batería – consulte el manual de instrucciones.
- Nunca fume, ni permita que hayan chispas o llamas cerca de la batería del vehículo, del motor o del conservador de energía.
- No opere esta unidad en un área cerrada ni restrinja la ventilación de alguna forma.

AVISO: Este equipo ha sido probado y se ha encontrado que cumple con los límites establecidos para dispositivos digitales Clase B, en conformidad con la Parte 15 del Reglamento de la FCC. Estos límites están diseñados para ofrecer un nivel razonable de protección contra la interferencia dañina en instalaciones residenciales. Este equipo genera, utiliza y puede emitir energía de radiofrecuencia y, si no se instala y utiliza de acuerdo a las instrucciones proporcionadas, puede producir una interferencia dañina para la comunicación radial. Sin embargo, no existen garantías de que no ocurra interferencia alguna en una instalación en particular. Si este equipo produce interferencia dañina para su recepción de radio o televisión, lo que puede ser determinado

al apagar y volver a encender el equipo, se pide al usuario que corrija la interferencia implementando una o más de las siguientes medidas:

- Cambie la orientación o el lugar donde está ubicada la antena receptora.
- Aumente el espacio que separa al equipo del receptor.
- Conecte el equipo a una toma de corriente que esté en un circuito diferente al circuito al que está conectado el receptor.
- Consulte con el concesionario o con un técnico de radio y televisión experimentado que pueda ayudarle.

AVISO: De acuerdo con la FCC Parte 15, los cambios o modificaciones a este equipo que no sean expresamente aprobados por DeWALT® podrían invalidar su autoridad para operar este equipo.

LEA TODAS LAS INSTRUCCIONES

Instrucciones de seguridad específicas para las baterías del litio-ion (accesorio opcional)

⚠ ADVERTENCIA – Para reducir el riesgo de fuego, de descarga eléctrica, de peligro de la explosión, o de lesiones o daños a la propiedad: Baterías del litio-ion son pequeñas, compactas e ideal para proporcionar energía duradera a esta unidad. Sin embargo, deben ser utilizadas y ser cargadas correctamente. El uso incorrecto puede dar lugar a lesión serio, a fuego, o a muerte.

- Las del litio-ion pueden estallar en presencia de una fuente de ignición. No utilice el producto en presencia de una llama abierta.
- No ponga esta unidad con baterías del litio-ion en fuego ni aplique el calor a él.
- No sujete esta unidad con baterías del litio-ion a los impactos o a los choques fuertes. La batería en esta unidad contiene los

dispositivos de la seguridad y de protección que, si están dañados, pueden hacer la batería generar calor, romper o encender.

- No exponga esta unidad accionada por la batería del litio-ion para regar o agua salada, o permita que la batería consiga mojada.
- Evite almacenar esta batería de litio-ion dispositivo eléctrico en el sótano, cuarto de baño u otras áreas de la casa que están o pueden quedar mojados o húmedos o donde la humedad puede concentrarse.
- No deje esta unidad accionada por la batería del litio-ion en luz del sol directa, o utilice o almacene la unidad dentro de los coches en tiempo caliente. El hacer tan puede hacer la batería para generar calor, para romper, o para encender. Usando la batería de este modo puede también dar lugar a una pérdida de funcionamiento y de una esperanza de vida acortada.
- Nunca cargue esta unidad cerca de calor o de objetos inflamables.

⚠ ADVERTENCIA: ¡NUNCA LANCE EL AGUA EN UNA BATERÍA ARDIENTE DE LI-ION! Si una batería del litio-ion coge en el fuego, quemará más violentamente si entra en contacto con el agua o aún la humedad en el aire. Un extintor debe ser utilizado.

⚠ ADVERTENCIA: NO exponga la unidad de alimentación al fuego ni a una temperatura excesiva. La exposición al fuego o la temperatura por encima de 130°C (265°F) pueden causar una explosión.

Instrucciones de seguridad específicas para cargadores de batería

⚠ ADVERTENCIA – No utilice el cargador de baterías para cargar baterías de pilas secas que se utilizan habitualmente en los electrodomésticos. Estas baterías pueden reventar y causar lesiones a las personas y daños a la propiedad. Use charger for charging a LEAD-ACID battery only. It is not intended to supply power to a low voltage electrical system other than in a starter-motor application.

• **Uso de accesorios y dispositivos.** El uso de accesorios o dispositivos no recomendados para este cargador de batería puede resultar peligroso.

• **No opere** el cargador de la batería cerca de líquidos inflamables o en atmósferas gaseosas o explosivas. Los motores pueden chispear, y las chispas pudieron encender gases inflamables.

⚠ ADVERTENCIA: Para reducir el riesgo de descarga eléctrica: Nunca sumerja la unidad en el agua ni en ningún otro líquido, ni la utilice cuando esté húmeda.

⚠ ADVERTENCIA – Riesgo de gases explosivos:

• Trabajar cerca de una batería de plomo ácido es peligroso. Las baterías generan gases explosivos durante su funcionamiento normal. Por esta razón, es muy importante que SIGA LAS INSTRUCCIONES CADA VEZ QUE UTILICE EL CARGADOR.

• Para reducir el riesgo de explosión de la batería, siga estas instrucciones y las publicadas por el fabricante de la batería y el fabricante de cualquier equipo que tenga la intención de utilizar cerca de la batería. Revise las indicaciones sobre precauciones en estos productos y en el motor.

• Este equipo emplea piezas (interruptores y relés) que producen arcos o chispas. Por lo tanto, si utiliza la unidad en una cochera o un área cerrada, DEBE colocarla a no menos de 46 cm (18 pulgadas) por encima del piso.

• PARA REDUCIR EL RIESGO DE LESIONES, ESTA UNIDAD SÓLO DEBE SER OPERADA POR ADULTOS, NO FUE DISEÑADA PARA QUE LA UTILICEN LOS NIÑOS.

⚠ ADVERTENCIA – Para reducir el riesgo de incendio:

- No opere cerca de materiales, vapores, polvos o gases inflamables.
- No lo exponga al calor extremo o a llamas.

⚠ PRECAUCIÓN – Para reducir el riesgo de lesiones o daño a la propiedad:

- NUNCA CARGUE UNA BATERÍA CONGELADA.

- No cargue la batería mientras el motor está en marcha.
- Manténgase alejado de las paletas de ventilador, correas, poleas y otras partes que pueden provocar lesiones a las personas.
- Los vehículos que tienen sistemas computarizados incorporados pueden resultar dañados si la batería del vehículo se arranca mediante puente. Antes de arrancar mediante puente, lea el manual del cliente del vehículo para confirmar que la ayuda externa para arrancar es adecuada.
- Sea extremadamente cuidadoso para evitar dejar caer una herramienta de metal sobre la batería. Podría chispa o un cortocircuito en la batería o en otra parte eléctrica, y esto puede provocar una explosión.
- Nunca permita que el ácido de la batería entre en contacto con esta unidad.
- Apague siempre el cargador de batería y desconecte el paquete de baterías cuando no esté en uso.
- No abra el cargador de batería: no hay piezas que el usuario pueda reparar en su interior. Abrir el cargador de batería anulará la garantía del fabricante.
- Opere la unidad solamente como se describe en este manual de instrucciones.
- Revise el cargador de batería y sus componentes periódicamente por uso y desgaste. Regrese al fabricante para el reemplazo de piezas desgastadas o defectuosas inmediatamente.

⚠ ADVERTENCIA: Para reducir el riesgo de lesiones, siga estas instrucciones y las publicadas por el fabricante de la batería y el fabricante de cualquier equipo que tenga la intención de utilizar con esta unidad. Revise las indicaciones sobre precauciones en estos productos y en el motor.

Instrucciones de seguridad específicas para los puertos USB

- No introduzca objetos extraños dentro ya sea los puertos USB.
- No conecte un concentrador USB y no conecte más de un dispositivo electrónico personal a cada puerto USB.
- No utilice esta unidad para operar los aparatos que requieren más de 2.1 amperios en total para operar desde los puertos USB.
- Una cierta electrónica USB-accionada hogar no funcionará con esta unidad.

El sello RBRC™

El sello RBRC™ (Rechargeable Battery Recycling Corporation) en las baterías (o unidades de batería) de níquel cadmio, níquel e hidruro metálico o de iones de litio indica que el costo de reciclaje de estas baterías (o unidades de batería) al llegar al final de su vida de servicio ya ha sido pagado por DeWALT. En algunas áreas, es ilegal depositar baterías de níquel cadmio, níquel e hidruro metálico o de iones de litio gastadas en la basura o la corriente de residuos sólidos urbanos; el programa RBRC proporciona una alternativa ecológica.



RBRC™, en cooperación con DeWALT y otros usuarios de baterías, han establecido programas en los Estados Unidos y Canadá para facilitar la recolección de baterías de níquel cadmio, níquel e hidruro metálico o de iones de litio gastadas. Al llevar sus baterías de níquel cadmio, níquel e hidruro metálico y de iones de litio gastadas a un centro de servicio autorizado por DeWALT o al minorista local para que sean recicladas, ayuda a proteger el medio ambiente y a conservar recursos naturales. También puede comunicarse con el centro de reciclaje de su localidad para mayor información sobre dónde llevar sus baterías gastadas.

RBRC™ es una marca comercial registrada de **Rechargeable Battery Recycling Corporation**.

Instrucciones importantes de seguridad para todos los cargadores de baterías (accesorio opcional)

IMPORTANTE: Antes de usar el cargador, lea todas las instrucciones y advertencias incluidas con el cargador y el paquete de baterías.

⚠ ADVERTENCIA – Peligro de descarga eléctrica: No permita que ningún líquido se introduzca en el cargador. Puede producir descargas eléctricas.

⚠ PRECAUCIÓN – Peligro de quemaduras: Para reducir el riesgo de lesiones, sólo cargue unidades de batería recargables marca DeWALT. Otros tipos de batería podrían sobrecalentarse y reventar lo que podría resultar en lesiones corporales y daños a su propiedad.

AVISO: Desenchufe siempre el cargador cuando no haya una unidad de batería en su cavidad. Desenchufe el cargador antes de intentar limpiarlo.

- NO intente cargar la unidad de batería con otros cargadores que no sean los descritos en este manual. El cargador y la unidad de batería fueron específicamente diseñados para trabajar en conjunto.
- Estos cargadores no fueron diseñados para ser utilizados para más que cargar las baterías recargables DeWALT. Cualquier otro uso puede producir riesgo de incendios, descargas eléctricas o electrocución.
- No exponga el cargador a la lluvia o a la nieve.
- Tire del enchufe y no del cable cuando desconecte el cargador. De esta forma se reduce el riesgo de daño al enchufe y cable.
- Asegúrese de que el cable no sea ubicado de manera que podría ser pisado, causar que alguien tropiece con él o ser expuesto a otro tipo de daños y desgastes.
- No use un alargador a menos que sea absolutamente necesario. El uso de un alargador incorrecto podría producir riesgo de incendios, descargas eléctricas o electrocución.

- Cuando opere un cargador al exterior, hágalo siempre en un lugar seco y use un alargador apropiado para uso al exterior.
- Los hilos del alargador deben ser de un calibre apropiado (AWG) para su seguridad. Mientras menor sea el calibre del hilo, mayor la capacidad del cable. Es decir, un hilo calibre 16 tiene mayor capacidad que uno de 18. Un cable de un calibre insuficiente causará una caída en la tensión de la línea dando por resultado una pérdida de energía y sobrecalentamiento. La tabla siguiente muestra el tamaño correcto a utilizar, dependiendo de la longitud del cable y del amperaje nominal de la placa de identificación. Si tiene dudas sobre cuál calibre usar, use un calibre mayor. Cuanto menor sea el número del calibre, más resistente será el cable.

CALIBRE MÍNIMO PARA LOS JUEGOS DE CABLES					
Voltios	Largo total del cable en pies				
120V	0-25 (0-7.6m)	26-50 (7.6-15.2m)	51-100 (15.2-30.4m)	101-150 (30.4-45.7m)	
	240V	0-50 (0-15.2m)	51-100 (15.2-30.4m)	101-200 (30.4-60.9m)	201-300 (60.9-91.4m)
Grado del amperio		Longitud de la cable de extensión			
Más que	No más que	0'-25'	26'-50'	51'-100'	101'-150'
		Calibrador de alambre Americano (AWG)			
0 -	6	18	16	16	14
6 -	10	18	16	14	12
10 -	12	16	16	14	12
12 -	16	14	12	No recomendado	

- No coloque ningún objeto encima del cargador ni coloque a este sobre una superficie blanda que pudiera bloquear las ranuras de ventilación y resultar en un calor interno excesivo. Coloque el cargador en un lugar alejado de cualquier fuente de calor.
- No opere el cargador si su cable o enchufe están dañados.
- No opere el cargador si ha recibido un golpe agudo, si se ha caído o si ha sido dañado de alguna otra forma.

- No desarme el cargador. Si es reensamblado incorrectamente, puede causar descargas eléctricas, electrocución o incendios.
- Desenchufe el cargador antes de intentar limpiarlo. Esto reducirá el riesgo de descargas eléctricas. El retirar el paquete de baterías no reducirá este riesgo.
- NUNCA intente conectar 2 cargadores entre sí.
- El cargador está diseñado para operar con una corriente eléctrica estándar residencial de 120 V. No intente usarlo con ningún otro voltaje. Esto no aplica al cargador vehicular.

PRECAUCIONES PERSONALES

- Cuando se trabaja con baterías de ácido de plomo, siempre asegúrese de que alguien es suficientemente cerca como para proporcionar asistencia inmediata en caso de accidente o emergencia.
- Utilice siempre protección para los ojos al emplear este producto; el contacto con el ácido de la batería puede producir ceguera o quemaduras graves. Conozca los procedimientos de primeros auxilios para el caso de contacto accidental con el ácido de la batería.
- Mantenga cerca suficiente agua fresca y jabón en caso que el ácido de la batería entre en contacto con la piel.
- Quítense todos los artículos personales que sean de metal, como anillos, pulseras y relojes cuando trabaje con una batería de ácido de plomo. Una batería de plomo puede producir un cortocircuito lo suficientemente alto como para soldar un anillo o un objeto metálico a la piel causando quemaduras graves.

Piel:

Si el ácido de la batería entra en contacto con la piel o la ropa, enjuáguese inmediatamente con agua, luego lávese bien con agua y jabón. Si se presenta enrojecimiento, dolor o irritación, busque asistencia médica de inmediato.

Ojos:

Si el ácido de la batería entra en contacto con los ojos, lávese los ojos inmediatamente durante 15 minutos como mínimo y busque asistencia médica de inmediato.

Notas Importantes:

Varios factores pueden afectar la capacidad de un cargador para impulsar la batería de un vehículo, incluyendo, entre otros, el tamaño de la batería del vehículo, la temperatura (fría o caliente), si la batería está dañada o defectuosa, y si el **DEWALT® paquete de batería de litio de 20V** está completamente cargado.

El **DEWALT® Cargador** requiere un voltaje mínimo para detectar la conexión correcta antes de que comience a aumentar. Si el voltaje de la batería del vehículo es demasiado bajo, es posible que el Cargador no pueda detectar la conexión y que no pueda cargar el vehículo. Si bien este bajo voltaje de la batería es raro, puede ocurrir en condiciones extremas.

GUARDE ESTAS INSTRUCCIONES PARA USO FUTURO

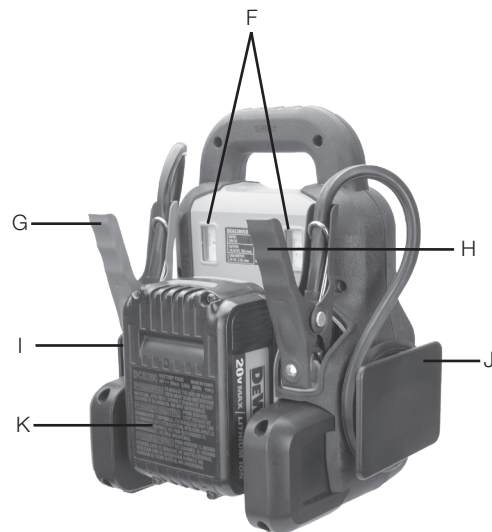
Componentes del panel frontal (Fig. 1)

- A. Manija
- B. Botón de encendido de la luz LED
- C. Botón transluciente de cargar
- D. Botón de alimentación USB
- E. Puertos USB duales
- Y Indicador de estado de cargar / de falla



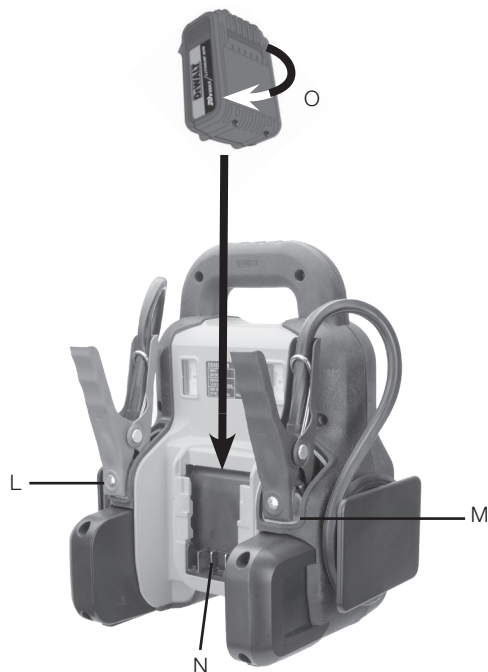
Componentes del panel posterior (Fig. 2a)

- F. Luces LED dobles
- G. Pinza roja positiva (+)
- H. Pinza negra negativa (-)
- I. Pestaña de cable de pinza roja positiva (+)
- J. Pestaña de cable de pinza negra negativa (-)
- K. Paquete de batería de litio DeWALT® 20V (accesorio opcional)



Componentes del panel posterior (Fig. 2b)

- L. Soporte de pinza roja positiva (+)
- M. Soporte de pinza negra negativa (-)
- N. Conector de terminal del paquete de batería
- O. Paquete de batería de 20V DeWALT® (encaja al ras dentro de los soportes del conector del terminal del paquete de baterías – vea la Fig. 2a)



Fuente de alimentación

El paquete de batería de 20V DeWALT® un accesorio opcional:

Esta unidad es alimentada exclusivamente por el paquete de batería de litio DeWALT® 20V (accesorio opcional). Debe recargarse completamente a través del cargador de batería dedicado DeWALT® (accesorio opcional). Consulte las instrucciones correspondientes incluidas con el paquete de la batería y el cargador.

Para poder operar este cargador, el paquete de batería de litio DeWALT® 20V completamente cargado debe estar instalado correctamente en la parte posterior de la unidad. Asegúrese de que la batería esté correctamente bloqueada en el conector del terminal de la batería (N) (como se muestra en la Figura 2b).

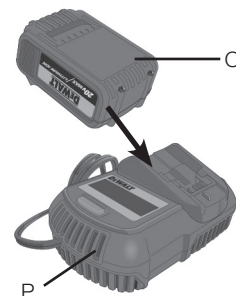
Cargadores

- Los paquetes de baterías de 20V DeWALT utilizan cargadores DeWALT. Asegúrese de leer todas las instrucciones de seguridad antes de utilizar su cargador.
- Consulte el gráfico al final del manual para conocer la compatibilidad entre los cargadores y los paquetes de baterías.

PROCEDIMIENTO DE CARGA

(Fig. 3)

1. Enchufe el cargador en una toma de corriente apropiada antes de insertar la unidad de batería.
2. Inserte la unidad de batería (O) en el cargador (P), como se muestra en la Figura 3, comprobando que quede bien colocado dentro del mismo. La luz roja (de carga) parpadeará continuamente para indicar que se ha iniciado el proceso de carga.



3. La carga se completa cuando la luz roja que permanece encendida continuamente. El paquete está completamente cargado y se puede usar en este momento o dejarlo en el cargador.

Instrucciones de operación

Cargar la batería con las pinzas de batería incluidas

PREPARACIÓN PARA CARGAR LA BATERÍA

1. Asegure que el área alrededor de la batería es bien ventilada mientras la batería se esta cargado.
2. Si es necesario retirar la batería del vehículo para cargarla, siempre retire primero el terminal conectado a tierra de la batería. Asegúrese de que todos los accesorios del vehículo estén apagados para no provocar un arco.
3. Limpie las terminales de la batería, tenga cuidado y evite material corrosivo en los ojos.
4. Para baterías que no están libres de mantenimiento, agregue agua destilada en cada celda hasta que el ácido de la batería alcance el nivel específico en el manual del fabricante. Esto ayuda a purgar el exceso de gas de las celdas. No llene en exceso. Para una batería sin tapas de celda (que no requiere mantenimiento), siga cuidadosamente las instrucciones de carga del fabricante.
5. Estudie todas las precauciones específicas del fabricante de la batería, tales como si retirar o no las tapas de las celdas mientras se carga, y la velocidad de carga recomendada.

UBICACIÓN DEL CARGADOR

- Ubique el cargador tan lejos de la batería como lo permitan los cables.
- Nunca ubique el cargador directamente sobre la batería que se está cargando; los gases de la batería producirán corrosión y daños al cargador.
- Nunca permita que el ácido de la batería gotee sobre el cargador cuando lee la gravedad o llena la batería.
- Nunca opere el cargador en un área cerrada ni restrinja la ventilación de manera alguna.
- No coloque una batería sobre el cargador.

⚠ PRECAUCIONES AL CONECTAR

- *Conecte y desconecte las pinzas sólo después de retirar el cable de CA del tomacorriente eléctrico.*
- *Asegúrese de que la unidad esté apagada antes de conectar o desconectar las abrazaderas de la batería.*
- *Nunca permita que las pinzas se toquen entre sí.*
- *Conecte las pinzas a la batería y al chasis como se indica en la sección apropiada ("batería instalada en el vehículo" o "batería fuera del vehículo").*
- *Una batería marina (de un barco) debe retirarse y cargarse en tierra. Para cargarlo a bordo se requieren equipos específicamente diseñados para uso marino. Esta unidad NO está diseñada para tal uso.*

CUANDO LA BATERÍA ESTÁ INSTALADA EN UN VEHÍCULO, SIGA ESTOS PASOS

⚠ **ADVERTENCIA** – Una chispa cerca de la batería puede causar una explosión. Para reducir riesgo de una chispa cerca de la batería:

1. No cargue la batería mientras el motor está en marcha.
2. Mantenga los cables alejados del capó, la puerta y las partes móviles del motor.
3. Manténgase alejado de las paletas del ventilador, correas, poleas y otras partes que pueden provocar lesiones a las personas.

4. Controle la polaridad de los bornes de la batería. El borne positivo (POS, P, +) de la batería generalmente tiene mayor diámetro que el borne negativo (NEG, N, -).
5. Determinar qué borne de la batería está puesto a tierra (conectado) al bastidor. Si el borne negativo está puesto a tierra en el bastidor (como en la mayoría de los vehículos), vea 5. Si el borne positivo está puesto a tierra en el bastidor, vea 6.
6. Para un vehículo con tierra negativa, conecte la pinza positivo (roja) del cargador de batería al borne sin conexión a tierra positivo (POS, P, +) de la batería. Conecte la pinza negativa (negra) al bastidor del vehículo o al bloque del motor, lejos de la batería. No conecte la pinza al carburador, las cañerías de combustible o a las partes de chapa de la carrocería. Conecte a una pieza de metal sólida del bastidor o del bloque del motor.
7. Para un vehículo con tierra positiva, conecte la pinza negativa (negra) del cargador de batería al borne sin conexión a tierra negativa (NEG, N, -) de la batería. Conecte la pinza positiva (roja) al bastidor del vehículo o al bloque del motor, lejos de la batería. No conecte la pinza al carburador, las cañerías de combustible o a las partes de chapa de la carrocería. Conecte a una pieza de metal sólida del bastidor o del bloque del motor.
8. Cuando desconecte el cargador, coloque todos los interruptores en apagado, presione el botón de carga nuevamente para apagar la unidad, retire la pinza del bastidor del vehículo, y luego retire la pinza del terminal de la batería.
9. Vea las instrucciones de operación para obtener información sobre la duración de la carga.

SIGA ESTOS PASOS CUANDO LA BATERÍA HA SIDO RETIRADA DEL VEHÍCULO

⚠ ADVERTENCIA – Una chispa cerca de la batería puede causar una explosión. Para reducir riesgo de una chispa cerca de la batería:

1. Controle la polaridad de los bornes de la batería. El borne positivo (POS, P, +) de la batería generalmente tiene mayor diámetro que el borne negativo (NEG, N, -).
2. Conecte un cable de 60 cm (24 pulgadas) (longitud mínima) N° 6 AWG aislado, para batería al borne negativo de la batería (marcado NEG, N, -).
3. Conecte la pinza positiva (roja) de la batería al borne positivo de la batería (rojo o marcado POS, P, +).
4. Párese lo más lejos posible de la batería, y no se enfrentan a la batería al realizar la conexión final.
5. Conecte cuidadosamente la pinza negativa (negra) del cargador al extremo libre del cable de la batería conectado al terminal negativo.
6. Cuando desconecta el cargador, hágalo siempre en la secuencia inversa del procedimiento de conexión y romper la primera conexión estando tan lejos de la batería como resulte posible.

FUNCIÓN DEL INDICADOR LED DEL ESTADO DE CARGA / FALLA DURANTE EL PROCESO DE CARGA / AUMENTO

1. Después de conectar el cargador de batería a la batería del vehículo, el indicador de estado de carga / falla parpadeará en verde durante varios minutos.
2. Una vez que el indicador de estado de carga / falla se vuelva verde continuo, su vehículo debería estar listo para comenzar.
3. La luz permanecerá en verde continuo mientras la unidad continúe cargando / aumentando a menos que esté desconectada de la batería del vehículo o la batería se haya agotado, en cuyo caso se iluminará en rojo durante 60 segundos antes de apagarse automáticamente.
4. Una vez que el vehículo arranca, retire las pinzas de la batería de la batería del vehículo. Consulte las notas que siguen.

NOTAS IMPORTANTES:

- Si las pinzas de la batería no están correctamente conectadas con respecto a polaridad, el indicador de estado de cargar/falla

parpadeará en rojo hasta que las pinzas estén desconectadas. Retire las pinzas y vuelva a conectarlas con la polaridad correcta.

- Si las pinzas de la batería no están correctamente conectadas con respecto a polaridad, el indicador de estado de arrancar/falla parpadeará en rojo hasta que las pinzas estén desconectadas. Retire las pinzas y vuelva a conectarlas con la polaridad correcta.
- Si el voltaje del paquete de la batería de litio de 20V DEWALT® es bajo o se ha potencia de salida insuficiente, el indicador de estado de cargar/falla se encenderá en rojo solido durante 60 segundos antes de que el cargador de la batería se apague automáticamente. Consulte la sección “Detección de problemas.”
- Si el paquete de la batería de litio de 20V DEWALT® se recalienta o es demasiado frío, el cargador de batería se apagará automáticamente. Consulte la sección “Detección de problemas.”
- Si las pinzas de la batería están desconectadas de la batería, el cargador de la batería se apagará automáticamente.

⚠ PRECAUCIÓN – para reducir el riesgo de daños a la propiedad:

- *Intentos excesivos de voltear el motor puede dañar el motor de arranque del vehículo. Si el motor no arranca después del número recomendado de intentos, suspenda el procedimiento de arranque y busque otros problemas que deban corregirse.*
- *Si el vehículo no arranca, apague la ignición, desconecte el cargador y póngase en contacto con un técnico calificado para investigar por qué el motor no se puso en marcha.*

Funcionamiento de los puertos USB duales de la unidad

Los puertos USB duales están ubicados en la parte frontal de la unidad y están controlados por el botón de alimentación USB. Consulte la “Fig. 1” para localizarla.

1. Presione el botón de alimentación USB de la unidad una vez. El indicador de estado de cargar/de falla encenderá ámbar, indicando que ambos puertos USB están listos para usar.
2. Enchufe el dispositivo alimentado por USB en el (los) Puerto (s) USB y opere normalmente.
3. Presione el botón de alimentación USB por segunda vez para apagar ambos puertos USB.

NOTAS IMPORTANTES:

- **El fabricante recomienda encarecidamente que NO utilice los puertos USB mientras intenta cargar un motor.** El indicador de estado de cargar/de falla no refleja el uso del puerto USB (encendiendo el ámbar sólido) cuando se utiliza la unidad en el modo de cargar.
- *Asegúrese de que los puertos USB estén apagados cuando se almacene la unidad.*
- *Cuando los puertos USB están en uso, la unidad monitoreará las siguientes condiciones de falla USB en todos los puertos USB:*
 - *Si existe una falla de voltaje bajo de la batería del paquete de baterías DEWALT®, el indicador de estado de carga / falla parpadeará en ámbar durante 60 segundos y luego la unidad se apagará.*
 - *Si se produce una sobrecarga o un cortocircuito en cualquier puerto USB, el indicador de estado de cargar/de falla parpadeará en rojo.*

En cualquiera de estos casos, desconecte el dispositivo alimentado por USB inmediatamente y asegúrese de que el paquete de baterías de litio de la unidad no necesite ser recargado. Deje que la unidad se enfríe durante varios minutos antes de intentar volver a utilizar los puertos USB. Si vuelve a ocurrir una avería, asegúrese de que el total de los dispositivos USB enchufado en los puertos USB no exceda de 2.1A (5V). Si un dispositivo USB individual está dentro de las especificaciones y se produce el fallo, haga que

el dispositivo USB se revise por mal funcionamiento y no lo siga utilizando con estos puertos USB.

- Los puertos USB de esta unidad no admiten la comunicación de datos. Sólo proporcionan alimentación a dispositivos externos con alimentación USB. Los puertos USB proporcionan un total de 2.1A (5V).
- Es posible que algunos aparatos electrónicos domésticos con alimentación USB no funcionen con los puertos USB de esta unidad. Compruebe el manual del dispositivo electrónico correspondiente para confirmar que se puede utilizar con este tipo de puerto USB.

Funcionamiento de las luces LED de la unidad

Las luces LED duales se encuentran en la parte posterior de la unidad y están controladas por el botón de alimentación de la luz LED. Consulte la "Fig. 2A" para localizar.

1. Presione el botón de alimentación de la luz LED una vez para encender ambas luces LED.
2. Presione el botón de alimentación de la luz LED nuevamente para apagar ambas luces LED.

NOTICE: Make sure the LED Lights are turned off when it is being stored.

Instrucciones de mantenimiento

No sumerja sumerja esta unidad en agua. Si la unidad se ensucia, limpie las superficies exteriores con cuidado. Utilice una tela y seco.

No hay piezas sustituibles por el usuario. Inspeccione periódicamente el estado de los conectores y cables. Comuníquese con el fabricante para reemplazar los componentes que se han roto o desgastado.

Detección de problemas

Problema	Solución posible
La unidad no carga la batería	Asegúrese de presionar el botón de encendido translúcido para encender el cargador.
	Asegúrese de que se haya establecido una conexión de cable de polaridad adecuada.
	La batería del vehículo puede estar en condición de falla y no puede aceptar la asistencia de cargar. El fabricante recomienda llevarlo a un centro de servicio automotriz certificado para su evaluación.
	El voltaje del paquete de batería de litio DEWALT® 20V puede ser bajo o tener una potencia de salida insuficiente. El indicador de estado de cargar / de falla se iluminará en rojo durante 60 segundos antes de que el amplificador de batería se apague automáticamente. Desconecte las pinzas de la batería y cargue completamente el paquete de baterías de litio DEWALT® de 20V, siguiendo las instrucciones incluidas con el cargador de batería DEWALT® dedicado.
	Si el paquete de baterías de litio DEWALT® 20V se sobrecalienta o está demasiado frío, el cargador de la batería se apagará automáticamente. Desconecte las pinzas de la batería y permita que la unidad se enfríe o caliente durante un período antes de reanudar cualquier operación

Problema	Solución posible
Las luces LED no funcionarán	Asegúrese de que el botón de alimentación de la luz del área se haya presionado para encender las luces LED.
	Verifique que la batería de litio DeWALT® 20V tenga una carga completa. Recargue el paquete de baterías si es necesario.
El puerto USB no alimentará el dispositivo	Asegúrese de que se haya presionado el botón de encendido USB para encender los puertos USB y que el indicador de estado de cargar / de falla se encienda de forma fija en color ámbar.
	Si existe una condición de falla en cualquiera de los puertos USB, el indicador de estado de cargar / de falla parpadeará en rojo. Consulte las Notas importantes en la sección "Operación de los puertos USB dobles de la unidad" para solucionar cualquier falla.
	Asegúrese de que la extracción del dispositivo USB conectado al puerto USB no exceda 5V / 2.1A.
	Es posible que algunos aparatos electrónicos domésticos con alimentación USB no funcionen con los puertos USB de esta unidad. Compruebe el manual del dispositivo electrónico correspondiente para confirmar que se puede utilizar con este tipo de puerto USB.
	Verifique que la batería de litio DeWALT® 20V tenga una carga completa. Recargue el paquete de baterías si es necesario.

Accesorios

▲ADVERTENCIA: Debido a que no se han probado con este producto otros accesorios que no sean los que ofrece el productor, el uso de dichos accesorios con esta herramienta podría ser peligroso. Para reducir el riesgo de lesiones, con este producto deben usarse sólo los accesorios recomendados por el productor.

Si necesita ayuda con respecto a los accesorios, póngase en contacto con el fabricante al 1-888-394-3392 o CustomerService@dewalt12volt.com.

Información de servicio

Si usted necesita asesoramiento técnico, reparación, o partes genuinas del fabricante, póngase en contacto con el fabricante al 1-888-394-3392 o CustomerService@dewalt12volt.com.

Garantía limitada de un año

El fabricante garantiza este producto contra defectos de materiales y mano de obra durante un período de UN (1) AÑO a partir de la fecha de compra del producto por el comprador usuario final ("Período de Garantía"). Si hay un defecto y una reclamación válida se recibe dentro del período de garantía, el producto defectuoso puede ser reemplazado, reparado, o reembolsado, sin cargo, en el las siguientes maneras: (1) Devuelva el producto al fabricante para reparación, reemplazo o reembolso, a opción del fabricante. La prueba de compra puede ser requerida por el fabricante. (2) Devuelva el producto a la tienda donde el producto fue comprado para un intercambio (siempre y cuando se trate de un minorista participante). Devoluciones al minorista deben hacerse dentro del plazo de póliza de devoluciones del minorista para intercambios solamente (por lo general 30 a 90 días después de la fecha de compra). La prueba de compra puede ser requerida por el minorista. Por favor consulte la póliza de devoluciones

del minorista sobre devoluciones que están fuera del plazo establecido para intercambios.

Esta garantía no se aplica a los accesorios, bombillos, fusibles y baterías; defectos a consecuencias de desgaste normal; accidentes; daños y perjuicios sufridos durante el envío y manejo, alteraciones, reparaciones o uso no autorizado, negligencia, abuso, y si no se siguen instrucciones para el cuidado y mantenimiento del producto.

Esta garantía le otorga al comprador usuario final, derechos legales específicos y usted puede tener otros derechos que varían de estado a estado o de provincia a provincia. Este producto no está diseñado para uso comercial.

POLÍTICA DE DEVOLUCIÓN DE 90 DÍAS

Si usted no está completamente satisfecho con el rendimiento de este producto por cualquier razón, puede devolverlo en un plazo de noventa (90) días desde la fecha de compra con un recibo para un reembolso complete.

Por favor, visite nuestro sitio web www.baccusglobal.com/register para registrar el nuevo Baccus Global LLC producto y mantenerse al tanto de los nuevos productos y ofertas especiales.

Especificaciones

Entrada:	20V CC
Salida:	14.5V CC, 20A max.
Puertos USB:	5V CC, 2.1A max.
Luces LED:	(2x) 2 LED blancos

Paquetes de baterías compatibles

Este cargador de batería es compatible (solo) con los siguientes paquetes de batería de iones de litio DeWALT® de 20 voltios:

Número de catálogo del paquete de batería	Número de catálogo de la cargador de la batería de 120V
DCB200	DCB101, DCB102, DCB103, DCB106, DCB107, DCB112, DCB115
DCB201	
DCB203	
DCB204	
DCB205	
DCB206	
DCB207	
DCB606	
DCB609	

Importados por Baccus Global LLC,
621 NW 53rd St., Suite 450, Boca Raton, FL 33487
www.dewalt12volt.com 1-888-394-3392
Hecho en China

Derechos Reservados © 2022 Baccus Global, LLC. DeWALT® y el logotipo son marcas comerciales de DeWALT el DeWALT Industrial Tool Co., o una filial de la misma y se utilizan bajo licencia. El esquema de color amarillo y negro es una marca comercial de herramientas y accesorios de DeWALT.

www.dewalt.com