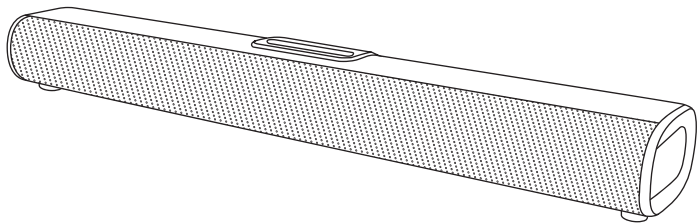


VEATOOL



Soundbar
S20L

Table of Contents

| | |
|---|--------------|
| 1. Important Safety instructions | 3 |
| 2. intended Use | 3 |
| 3. Before First Use | 3 |
| 4. product Description | 4~7 |
| 4.1 SDeaker..... | 4~6 |
| 4.2 Remote Control..... | 7 |
| 5. Use | 8~12 |
| 5.1 Switching on/off..... | 8 |
| 5.2 Inserting batteries..... | 8 |
| 5.3 Controls and indicators..... | 9 |
| 5.4 Bluetooth connection..... | 10 |
| 5.5 Optical connection..... | 10 |
| 5.6 COAX connection..... | 11 |
| 5.7 HDMI connection..... | 11 |
| 5.8 AUX connection..... | 12 |
| 5.9 USB stick..... | 12 |
| 6. Wall Mounting | 13~15 |
| 7. Cleaning and Storage | 15 |
| 7.1 Cleaning..... | 15 |
| 7.2 Storage..... | 15 |
| 8. Frequently Asked Questions | 16 |
| 9. Specifications | 17 |
| 10. Trademarks | 18 |
| 11. Battery Disposal | 18 |
| 12. E-Waste Disposal | 18 |
| 13. Warranty & Service | 19 |

1. Important Safety Instructions



Read these instructions carefully and retain them for future use. If this product is passed to a third party, then these instructions must be included.

- ▶ Do not use this product if damaged.
- ▶ Protect the product from extreme temperatures, hot surfaces, open flames, direct sunlight, water, high humidity, moisture, strong jolts, flammable gases, vapours and solvents.
- ▶ If positioning the product near a TV or other external device, make sure the product does not block any ventilation openings.
- ▶ Do not operate the product in an enclosed space, such as a wall cavity, inside a TV cabinet or entertainment centre.
- ▶ Keep the product out of reach of children and pets.
- ▶ Do not attempt to repair the product yourself. In case of malfunction, contact a professional repair centre.
- ▶ Do not open the product housing. Do not insert any foreign objects into the inside of the product.
- ▶ Only use the product in environments where wireless transmission is permitted.

2. Intended Use

- ▶ This product is intended for playback of audio files either via Bluetooth, AUX input, Optical input, Optical input, HDMI ARC input, or from a USB stick.
- ▶ This product is intended for private use only.
- ▶ This product is intended to be used in dry indoor areas only. Do not expose to rain.

3. Before First Use

DANGER Risk of suffocation!

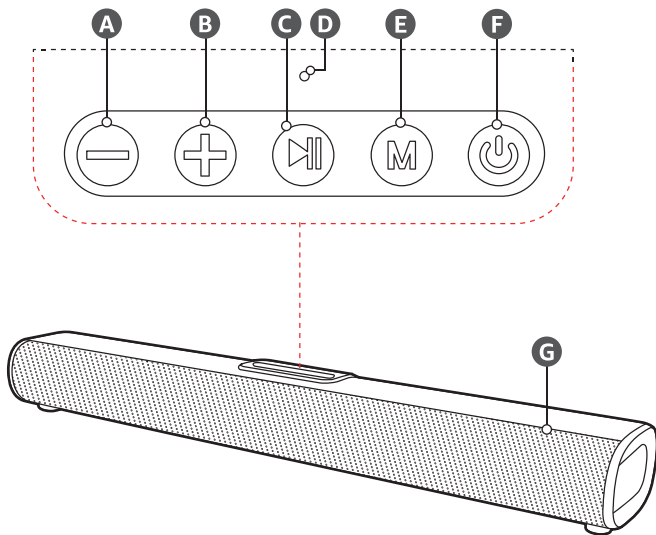
Keep any packaging materials away from children and pets – these materials are a potential source of danger, e.g. suffocation.

- ▶ Remove all the packing materials.
- ▶ Remove and review all components before use.
- ▶ Check the product for transport damages.

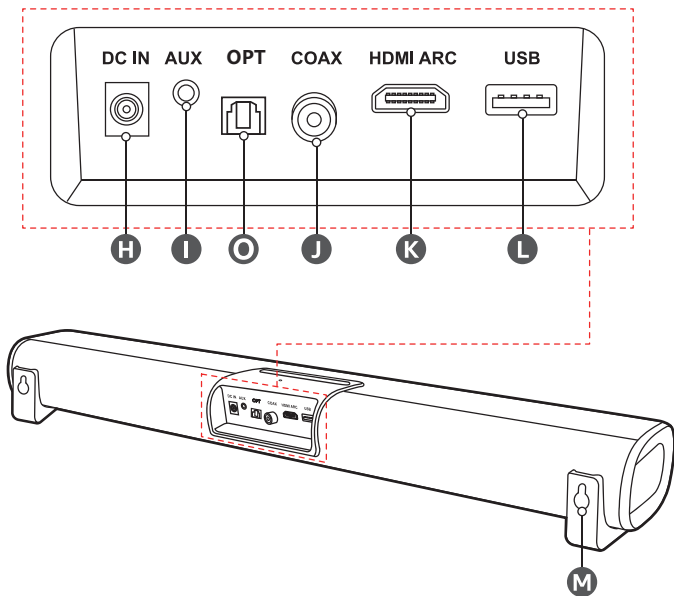
4. Product Description

4.1 Speaker

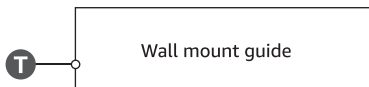
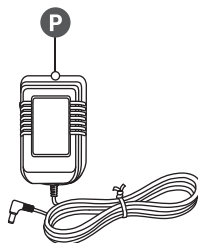
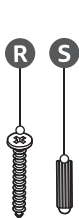
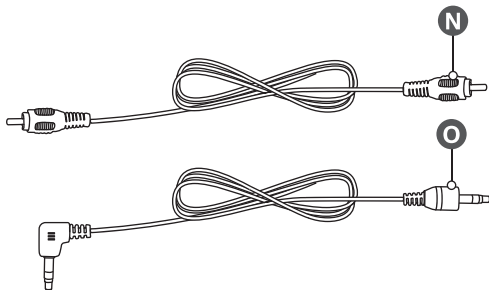
- A** + button
- B** - button
- C** ▶|| button
- D** Indicator
- E** M button
- F** ⏻ button
- G** Speaker



- H** Power input
- I** AUX socket
- J** COAX socket
- O** Optical
- K** HDMI ARC socket
- L** USB port
- M** Wall mount bracket

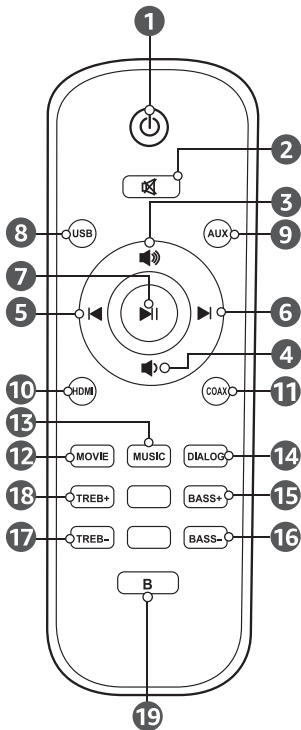


- N** Optical cable
- O** AUX cable
- P** Supply cord with plug
- Q** Remote control
- R** Screw ($\varnothing 3 \times 3$ mm) x2
- S** Wall plug x2
- T** Wall mount guide



4.2 Remote Control

| Button | Function |
|--------|---|
| 1 | Switch on/off |
| 2 | Mute volume |
| 3 | Increase volume |
| 4 | Decrease volume |
| 5 | To return to start of current song/previous song [§] |
| 6 | To skip to the next song [§] |
| 7 | Play/pause song* |
| 8 | USB |
| 9 | AUX |
| 10 | HDMI |
| 11 | COAX |
| 12 | MOVIE |
| 13 | MUSIC |
| 14 | DIALOG |
| 15 | BASS+ |
| 16 | BASS- |
| 17 | TREB- |
| 18 | TREB+ |
| 19 | B |



[§]not functional in COAX/HDMI/AUX modes





*becomes Mute function in COAX/HDMI/AUX modes

5. Use

NOTICE

- ▶ Upon first use after connecting the plug (P) to a supply outlet, the product automatically switches on and enters Bluetooth pairing mode. The indicator (D) flashes blue.
- ▶ When connecting or disconnecting external devices, an audio prompt is played.

5.1 Switching on/off

1. Connect the supply cord (P) to the power input (H), then connect the plug (P) to a suitable supply outlet.
2. Press the  button (F) on the product or press the  button (1) on the remote control (Q) to switch the product on. The indicator (D) lights up.
3. Press the  button (F) on the product or press the  button (1) on the remote control (Q) to switch the product off. The indicator (D) goes off.
4. Disconnect the plug (P) from the outlet when not in use.

5.2 Inserting batteries






NOTICE

The batteries for the remote control are not included.

1. Remove the battery compartment cover from the remote control (Q).
2. Insert 2x AAA batteries into the battery compartment.
3. Refit the battery compartment cover.

5.3 Controls and indicators

5.3.1 Speaker

| Button | Action | Function |
|---|----------------|--|
|  | Press once | Increase volume |
| | Press and hold | To return to start of current song/ previous song |
|  | Press once | Decrease volume |
| | Press and hold | To skip to the next song |
|  | Press once | Play/pause song |
|  | Press once | Change mode |
|  | Press once | Switch on/off |

5.3.2 Indicators

| Indicator (K) | Function |
|---------------|---|
| Flashes blue | Waiting for Bluetooth connection |
| Steady blue | Successful Bluetooth connection AUX cable connected USB stick connected |
| Steady red | COAX/Optical Cable connected |
| Steady purple | HDMI cable (not included) connected |
| Off | Product off |

5.4 Bluetooth connection

NOTICE

- ▶ If no Bluetooth device has been paired with the product previously or none of the previously paired Bluetooth devices are within range, the product automatically enters pairing mode.
- ▶ If a Bluetooth device has been previously paired with the product, the product will automatically connect the Bluetooth device if within range.
- ▶ Only one Bluetooth device can be connected/paired with the product at any one time. Disconnect any connected/paired Bluetooth device to connect/pair a new Bluetooth device.
- ▶ The product does not switch off automatically if not connected/paired with Bluetooth device.
- ▶ To use any voice assistant, the connected Bluetooth device needs to be capable of those functions.
- ▶ The range between product and the Bluetooth device largely depends on environmental conditions such as wall thickness, wall composition etc. With a free line of sight, the transmission range of most Bluetooth devices is up to 10 m.
- ▶ If the connection breaks down, restart the product and re-establish the connection. Switch the product off, then switch the product back on.

1. Switch the product on, The indicator (D) flashes blue. An audio prompt plays.
2. Keep the product and the Bluetooth device close to each other.
3. Activate Bluetooth on the device you wish to pair and search for a new device.
4. Select " AB-SB0-060 " from the list of available Bluetooth connections.
5. Once the devices are paired, the product plays an audio prompt and the indicator (D) changes to steady blue

5.5 Optical connection

NOTICE

If the Optical cable (N) is connected to the Optical socket (J) while a Bluetooth device is connected, the Bluetooth device is automatically disconnected. An audio prompt plays.

If the Optical cable (N) is disconnected, the product does not automatically switch to Bluetooth mode.

Select the appropriate audio source output from the external device settings.

Connect one side of the Optical cable (N) to the Optical socket (J) and the other side to the Optical input of an external device. Press the M button (E) once or the Optical button (11) to enter Optical mode. The indicator (D) is steady red while the Optical cable (N) is connected to the product.

5.6 COAX connection

NOTICE

- ▶ If the COAX cable (N) is connected to the COAX socket (J) while a Bluetooth device is connected, the Bluetooth device is automatically disconnected. An audio prompt plays.
- ▶ If the COAX cable (N) is disconnected, the product does not automatically switch to Bluetooth mode.
- ▶ Select the appropriate audio source output from the external device settings.

Connect one side of the COAX cable (N) to the COAX socket (J) and the other side to the coaxial input of an external device. Press the **M** button (E) once or the **COAX** button (11) to enter COAX mode. The indicator (D) is steady red while the COAX cable (N) is connected to the product.

5.7 HDMI connection

NOTICE

- ▶ An HDMI cable is not included. Use a high quality HDMI cable for best sound quality.
- ▶ If an HDMI cable is connected to the HDMI ARC (Audio Return Channel) socket (B) while a Bluetooth device is connected, the Bluetooth device is automatically disconnected. An audio prompt plays.
- ▶ If an HDMI cable is disconnected, the product does not automatically switch to Bluetooth mode.
- ▶ Different brands of TVs contain different processing chips. The response to the connection may be delayed by 10 seconds when connecting for the first time.
- ▶ Select the appropriate audio source output from the external device settings.

Connect one side of an HDMI cable (not included) to the HDMI ARC (Audio Return Channel) socket (B) and the other side to the HDMI ARC input of an external device. Press the **M** button (E) twice or the **HDMI** button (12) to enter HDMI ARC mode. The indicator (D) is steady purple while the HDMI cable is connected to the product.

5.8 AUX connection

NOTICE

- ▶ If the AUX cable (O) is connected to the AUX socket (I) while a Bluetooth device is connected, the Bluetooth device is automatically disconnected. An audio prompt plays.
- ▶ When using the AUX cable (O) for playback, the product audio control does not control the function of the connected device. Only the volume of the product can be increased/decreased or muted/unmuted.
- ▶ If the AUX cable (O) is disconnected, the product automatically switches to COAX mode.

Connect one side of the AUX cable (O) to the AUX socket (I) and the other side to the headphone jack of an external device. The product automatically changes to AUX mode and an audio prompt plays. The indicator (D) is steady blue while the AUX cable (O) is connected to the product.

5.9 USB stick

NOTICE

- ▶ The USB stick must contain MP3 or WAV format files.
- ▶ If a USB stick is connected into the USB port (L) on the product while a Bluetooth device is connected, the Bluetooth device is automatically disconnected. An audio prompt plays.
- ▶ If the product cannot access or read the files on the USB stick, the product automatically reconnects to previously connected Bluetooth devices, if within range.
- ▶ If the USB stick is removed, the product automatically reconnects to previously connected Bluetooth devices, if within range.

Connect a USB stick to the USB port (L) on the product. Once the USB stick has been read, the indicator (D) is steady blue while the USB stick is connected to the product. Music and sound files play automatically after 2 seconds.

6. Wall Mounting Instructions

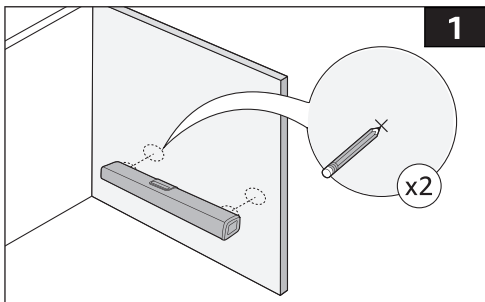
NOTICE

- ▶ Mount the product near a suitable supply outlet.
- ▶ Make sure the top of the product is at least 10 cm away from the TV.
- ▶ After mounting the product, adjust the audio for best sound quality.

Tools needed for wall mounting:

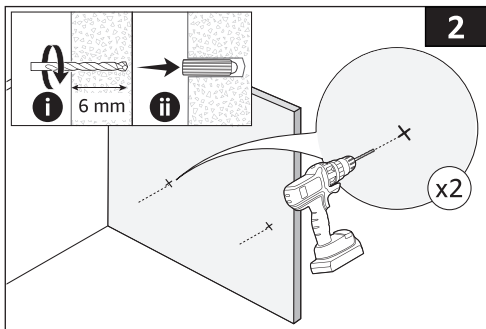
- Wall mount guide (T)
- Adhesive tape
- Pencil
- Drill
- Screwdriver
- Screws (R) x2
- Wall plugs (S) x2

1. Determine the position to mount the product. If mounting under a TV, leave around 10 cm of space between the TV and the product.
2. Use adhesive tape to attach the wall mount guide (T) to the chosen mounting position. Make drilling marks 56.6 cm apart on the wall through the punch holes (Fig. 1).

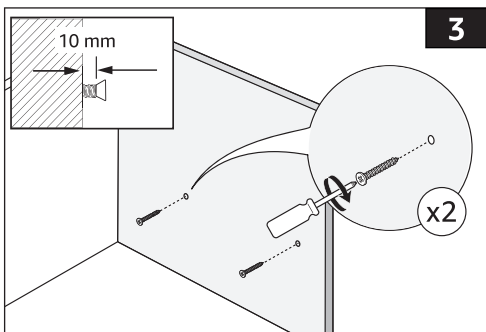


3. Remove the wall mount guide (T).

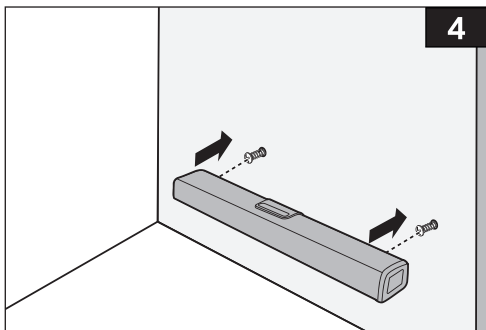
4. Drill 6 mm deep, then insert the 2 wall plugs (S) into the holes (Fig. 2).



5. Insert the 2 screws (R) into the wall plugs (S) (Fig. 3). Let the screws protrude by at least 10 mm.



6. Align the holes of the wall mount bracket (M) and hang on the installed screws (Fig. 4).



7. Cleaning and Storage

NOTICE

- ▶ Switch off and unplug the product before cleaning.
- ▶ During cleaning do not immerse the electrical parts of the product in water or other liquids. Never hold the product under running water.

7.1 Cleaning

- ▶ To clean the product, wipe with a soft, slightly damp cloth.
- ▶ Wipe the product dry after cleaning.
- ▶ Never use corrosive detergents, wire brushes, abrasive scourers, metal or sharp utensils to clean the product.

7.2 Storage

Store the product in its original packaging in a dry area. Keep away from children and pets.

8. Frequently Asked Questions

| Problem | Solution |
|--|---|
| No sound when an HDMI cable (not included) is connected. | <p>Make sure the product is in HDMI ARC mode.</p> <p>Check that both ends of the HDMI cable are properly fitted in each device.</p> <p>Make sure the appropriate audio source output is selected in the external device settings.</p> |
| No sound when the COAX cable (N) is connected. | <p>Make sure the product is in COAX/Optical mode.</p> <p>Check that both ends of the COAX/Optical cable (N) are properly fitted in each device.</p> <p>Make sure the appropriate audio source output is selected in the external device settings.</p> |
| Cannot find product on Bluetooth device. | <p>The product might be out of range. Bring the product and the Bluetooth device within close proximity.</p> <p>Make sure the product is in Bluetooth mode.</p> |
| There is echo in the playback. | Volume is too loud or the environment is too noisy. Adjust the volume of the product or move to a quieter location. |

9. Specifications

| | |
|------------------------------|----------------------------------|
| Model number | S20L |
| Rated input | 12V $\overline{=}$ 2A |
| Remote control battery type | 2 x AAA batteries |
| Ambient temperatures | |
| ▶ Use | 0 °C to +40 °C |
| ▶ Storage | -30 °C to +60 °C |
| RF power | 100 mW |
| Bluetooth version | 5.0 |
| Supported Bluetooth profiles | A2DP, AVRCP |
| Audio decoding protocol | SBC |
| Operating range | up to 10 m (unobstructed) |
| Max. output power | 21.52 W x 2 = 43.04 W |
| Frequency response | 80 Hz to 16 kHz |
| Sensitivity | >90 dB |
| Impedance | 4 Ω |
| Supported USB sticks | up to 32 GB, File systems: FAT32 |
| Audio files (USB stick) | MP3, WAV |
| Net weight | approx. 1.17 kg |
| Speaker | approx. 1.12 kg |
| Supply cord/Plug | approx. 90 g |
| Remote control | approx. 30.4 g |
| COAX cable | approx. 16 g |
| AUX cable | approx. 18 g |
| Dimensions (L x W x H) | approx. 60.3 x 10.1 x 7.1 cm |

10. Trademarks

The Bluetooth® word mark and logos are registered trademarks owned by Bluetooth SIG, Inc. and any use of such marks by Amazon Basics or its affiliates is under license. Other trademarks and trade names are those of their respective owners.



11. Battery Disposal



The crossed-out bin symbol on this product or its packaging signifies that this product should be discarded separately from ordinary household waste at its end of life. To ensure that the Waste Batteries are disposed-off in an environment friendly manner please discard the waste batteries separately from other domestic waste or handover the used batteries to an entity engaged in collection or refurbishment or recycling so that no damage to human health and environment occur.

12. E-Waste Disposal



Be a Responsible User. Recycle or refurbish your old Amazon brand products to help protect the environment.

The crossed-out bin symbol on this product or its packaging signifies that this product should be discarded separately from ordinary household waste at its end of life. Be aware that it is your responsibility to dispose-off e-waste in such a manner that no damage to human health and environment occur.

E-waste is generated from electronic and electrical appliances/components which have reached their end-of-life period or are no longer fit for their original intended use and are destined for recovery, recycling or disposal. E-waste when disposed or recycled improperly, can cause severe environmental pollution and adversely affect the human body as they contain toxic chemicals. Please ensure that the electronic products that are unwanted, not working, and nearing or at the end-of-life are disposed-off only through authorized recycling or refurbishing points. Please contact your municipal waste management authority or your household waste disposal service for additional details.

This product and the components thereof conform to the provisions of hazardous substances specified under Rule 16 (1) and Rule 16 (4) of E-waste (Management) Rules, 2022 [Chapter VII titled the Reduction in the Use of Hazardous Substances in the manufacture of electrical and electronic equipment and their components or consumables or parts or spares].

13. Warranty & Service

1. We grant 1 year warranty on the product commencing from the date of purchase against defects in manufacturing, materials, and assembly.
2. Within the warranty period, we will correct any defects in materials or workmanship, either by repairing or replacing the complete product, as we may choose, free of charge. This warranty is valid to the original purchaser only.
3. For customer service related queries, please contact us: 1800-419-2373 (available Monday to Saturday from 9:30 AM to 6:00 PM except national holidays). For warranty details, please visit the product page or call customer service number.
4. Any accessories provided with the product are not covered under warranty. Any physical and/or water damage to the product shall void any warranty.

This Warranty excludes, or does not apply or becomes void if:

1. Damage is caused by improper use, abuse or excessive use outside the intended purpose.
2. Normal wear or use as well as defects that have a negligible effect on the value or operation of the product.
3. Repairs or product modifications have been carried out by unauthorized organization or persons and if original Amazon Basics parts are not used.
4. Consequential damages (including but not limited to loss of data or loss of income), nor compensation for activities done by yourself.
5. The proof-of-purchase has been altered in any way or is made illegible.
6. The model number, serial number or production date code on the product has been altered, removed or made illegible.
7. The defect is caused by connecting peripherals, additional equipment or accessories other than those recommended in the user manual.

Dear customer,

Hello ! Thank you for purchasing from us.

If you have any questions or concerns about this product, please contact us at the following email address: **VEAT00L@outlook.com**, we are happy to help you and provide happy and satisfactory after-sales service.

If you are satisfied with this product, please provide us with relevant feedback and share your shopping experience with other customers. If you send us a screenshot of the posted review and order number via email address: **VEAT00L@outlook.com**, we will provide you with a lifetime warranty (product lost/damaged/missing accessories during use)

VEATOOL

Soundbar S20L