

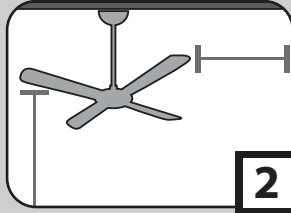
Congratulations on purchasing your new Hunter® ceiling fan! It will provide comfort and performance in your home or office for many years. This installation and operation manual contains complete instructions for installing and operating your fan.

We are proud of our work and appreciate the opportunity to supply you with the best ceiling fan available anywhere in the world.

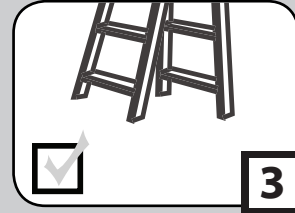
To register your fan, please visit:
www.HunterFan.com/register

Save your receipt for proof of purchase.

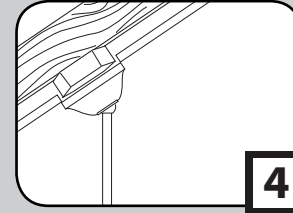
What to Expect with Your Installation



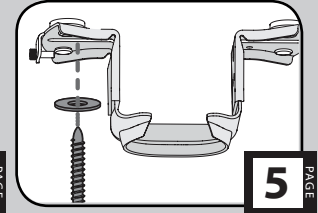
Tools Needed



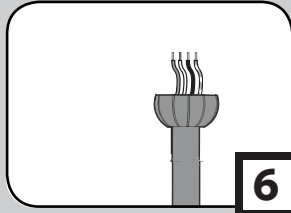
Mounting Options



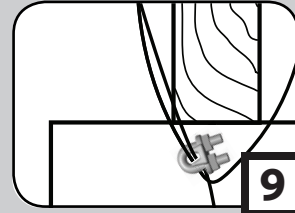
Ceiling Bracket



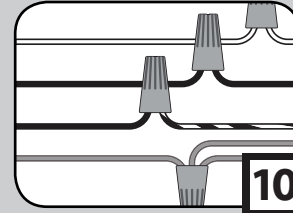
Downrod



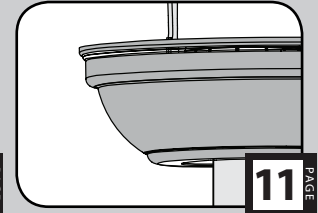
Secondary Support System



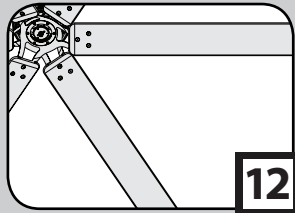
Wiring



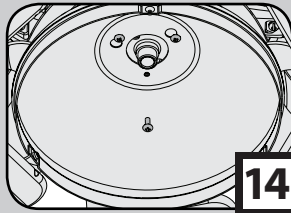
Canopy



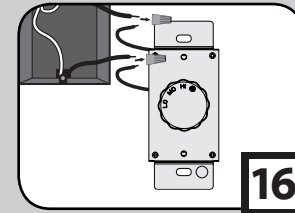
Blades



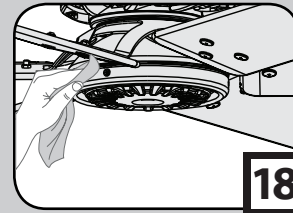
Switch Housing



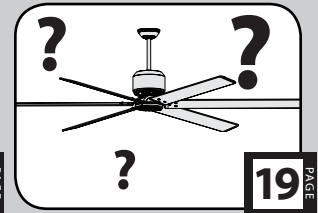
Wall Control

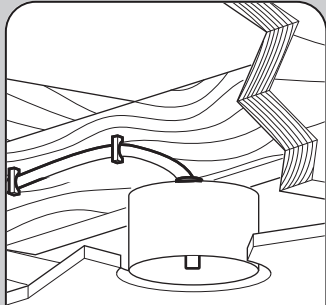


Operation, Maintenance & Cleaning



Troubleshooting

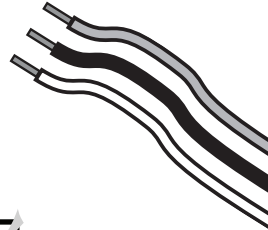




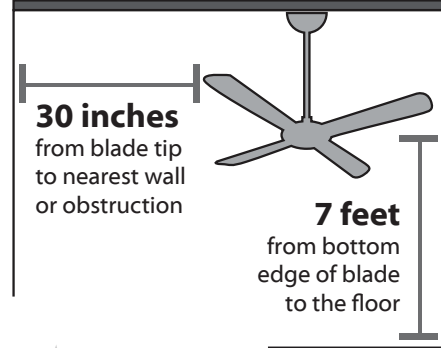
Must be able to secure the fan to building structure or fan-rated outlet box



If you are unfamiliar with wiring, use a qualified electrician.



Know your wiring



Assess location

You may need a friend to help you.



Check box to see fan weight



Ceiling angles greater than 34° will require an Angled Mounting Kit. See page 4 for details.



Assess ceiling angle

Read and Save These Instructions

This product conforms to UL Standard 507.

⚠ WARNINGS

w.1 - To reduce the risk of fire, electrical shock, or personal injury, mount fan directly from building structure and/or an outlet box marked acceptable for fan support of 70 lbs (31.8 kg) and use the mounting screws provided with the outlet box.

w.2 - To avoid possible electrical shock, before installing or servicing your fan, disconnect the power by turning off the circuit breakers to the outlet box and associated wall switch location. If you cannot lock the circuit breakers in the off position, securely fasten a prominent warning device, such as a tag, to the service panel.

w.3 - To reduce the risk of fire, electrical shock, or motor damage, use only Hunter Solid State Speed Controls.

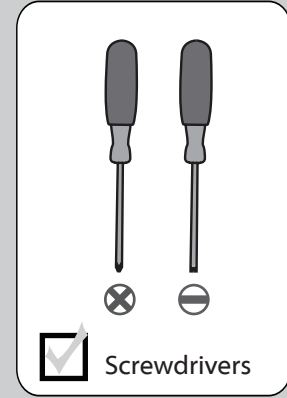
w.4 - To reduce the risk of personal injury, do not bend the blade brackets when installing the blade brackets, balancing the blades, or cleaning the fan. Do not insert foreign objects in between rotating fan blades.

⚠ CAUTIONS

c.1 - All wiring must be in accordance with national and local electrical codes ANSI/NFPA 70. If you are unfamiliar with wiring, use a qualified electrician.

c.2 - Use only Hunter replacement parts.





If mounting to a support structure, you will also need these tools.



34°

CEILING ▲

If you have a flat ceiling:

Hang your fan by the standard downrod (included).

Standard
Mounting

OPTION 1

If you have an angled ceiling:

1. If your ceiling angle is less than 34°, hang your fan by the standard downrod (included).
2. If your ceiling angle is greater than 34°, you will also need an Angled Mounting Kit (sold separately).

Angled
Mounting

OPTION 2

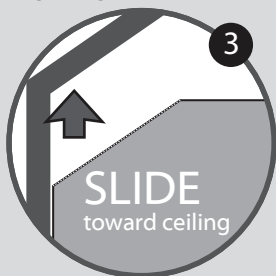
Use the three steps below to determine if your ceiling angle is greater than 34°



1

FOLD
on dotted line

2

PLACE
against wall

3

SLIDE
toward ceiling

Guide Touches
BOTH Ceiling & Wall

Follow the instructions in this manual.
*most common

SITUATION 1



Guide Touches Wall
but **NOT** Ceiling

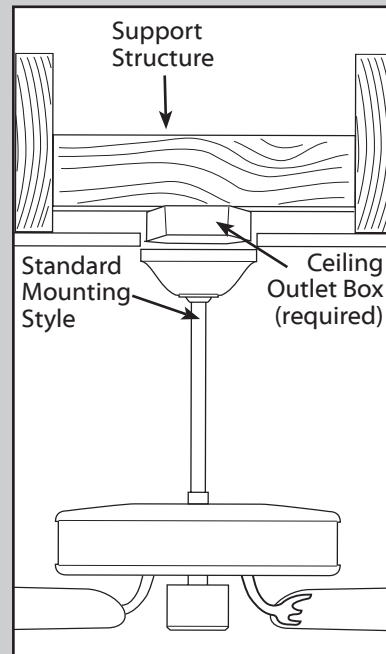
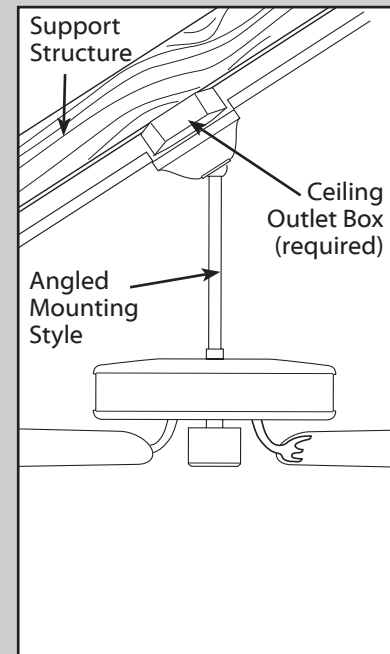
You need an Angled Mounting Kit.

SITUATION 2

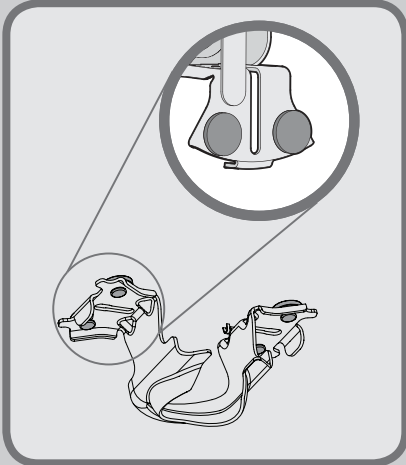
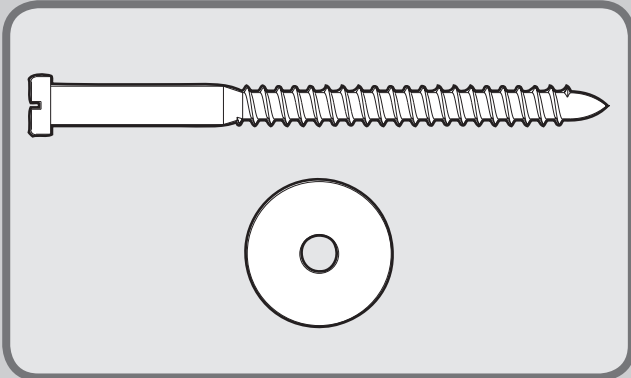
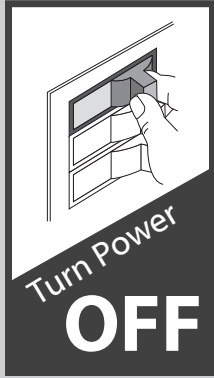
**Mounting Options**

www.HunterFan.com

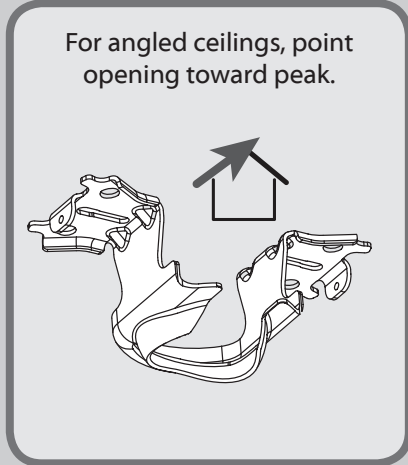
1.888.830.1326

Use **Standard Mounting** to hang the fan from a flat ceiling.Use **Angled Mounting** to hang the fan from a vaulted or angled ceiling.

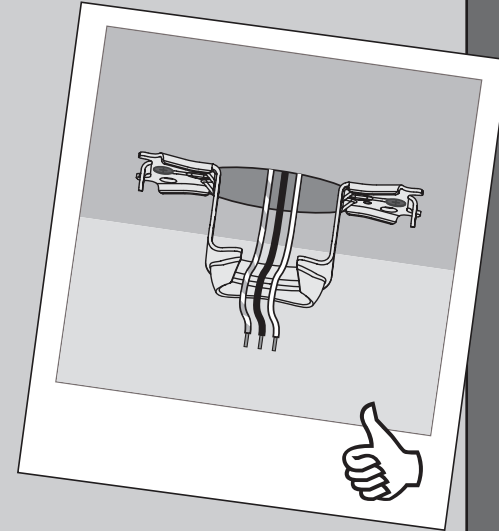
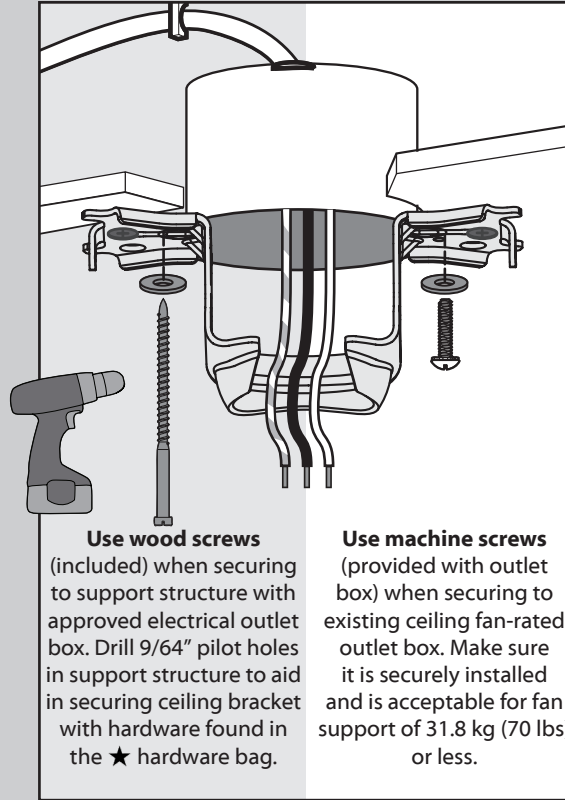
4



Make sure all four bumpers are still attached.



If you are unable to do this, call Technical Support at 1-888-830-1326.



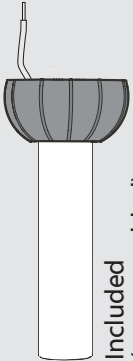
Refer to warning w.1 on pg. 2

To avoid possible electrical shock, before installing your fan, disconnect the power by turning off the circuit breakers to the outlet box associated with the wall switch location.



Option 1

Standard Downrod



Included (pre-assembled)

skip to next page

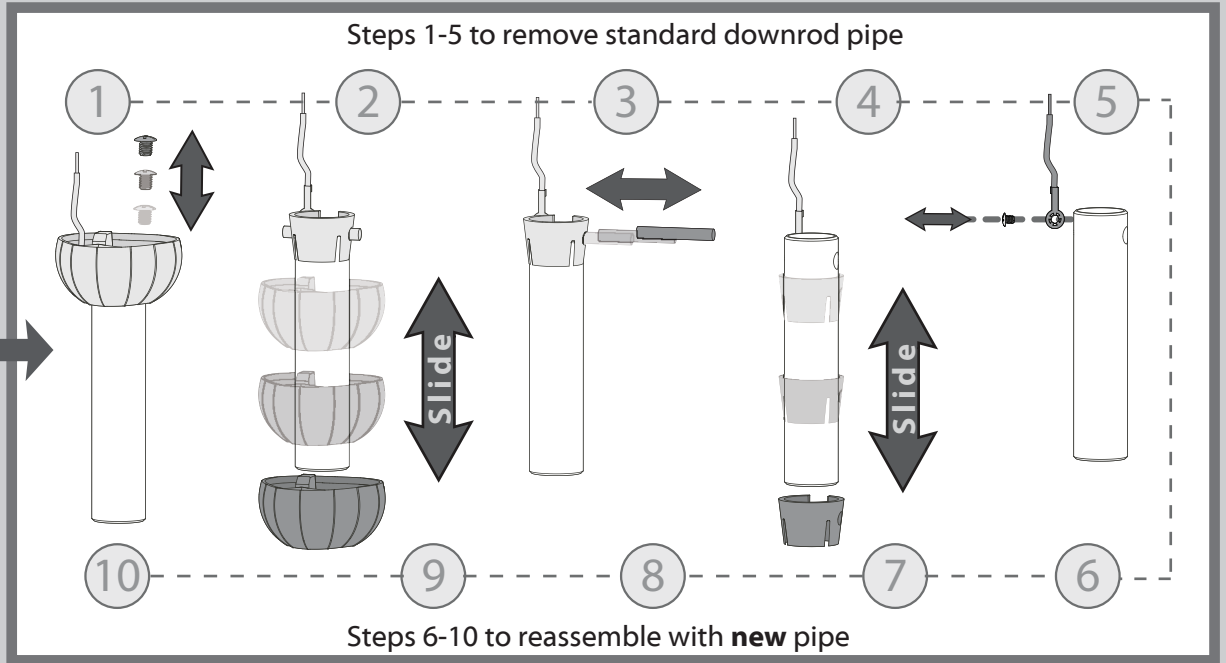
Option 2

Longer Downrod

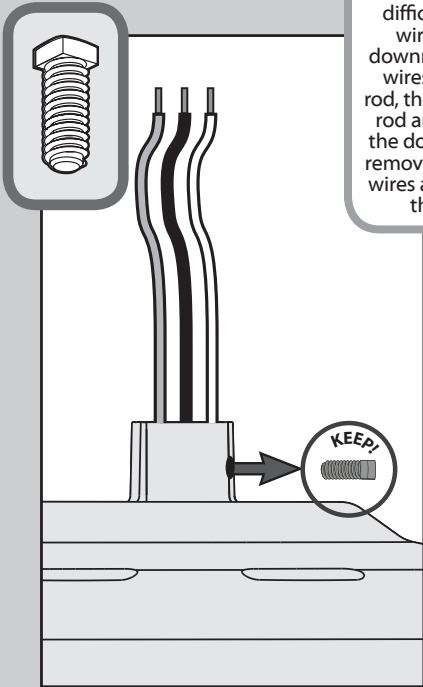


Sold Separately

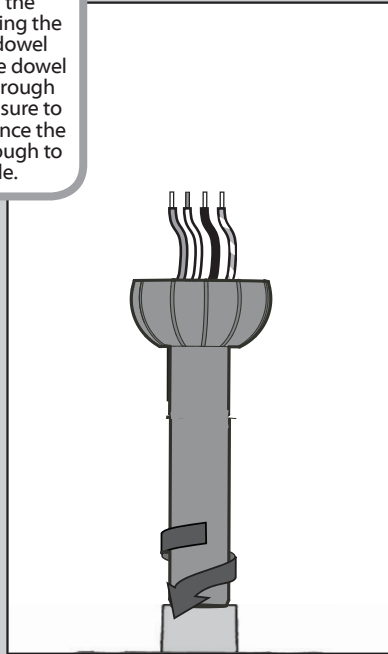
If you need a different downrod length follow these steps:



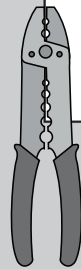
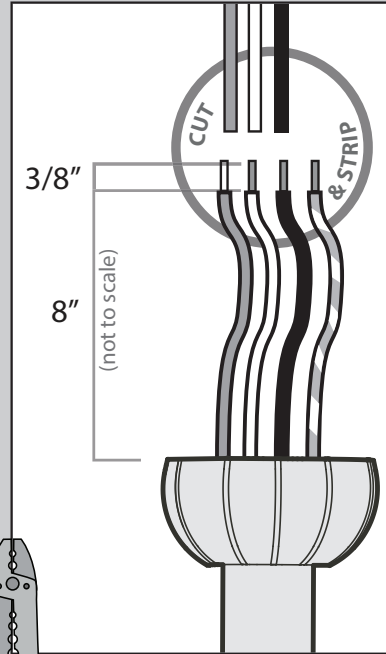
Tip: If you have difficulty feeding the wires through the downrod, try taping the wires to a thin dowel rod, then drop the dowel rod and wires through the downrod. Be sure to remove all tape once the wires are fed through to the other side.



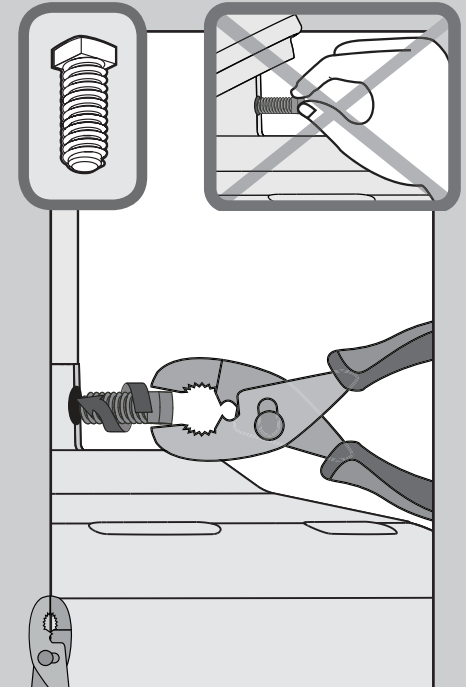
Remove the pre-installed setscrew so that the downrod can be inserted.



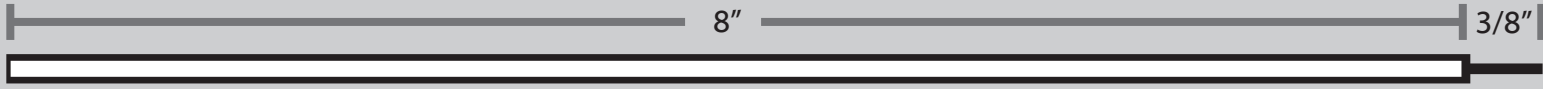
Hand tighten the downrod (at least 4-5 full turns) until it stops.



The wires can be cut, but leave at least 8" extending from the top of the downrod.

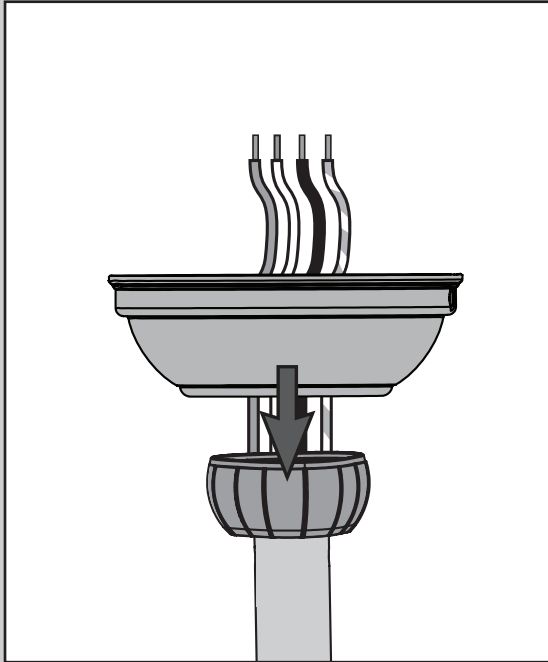


Tighten the setscrew with pliers. **DO NOT HAND TIGHTEN.**

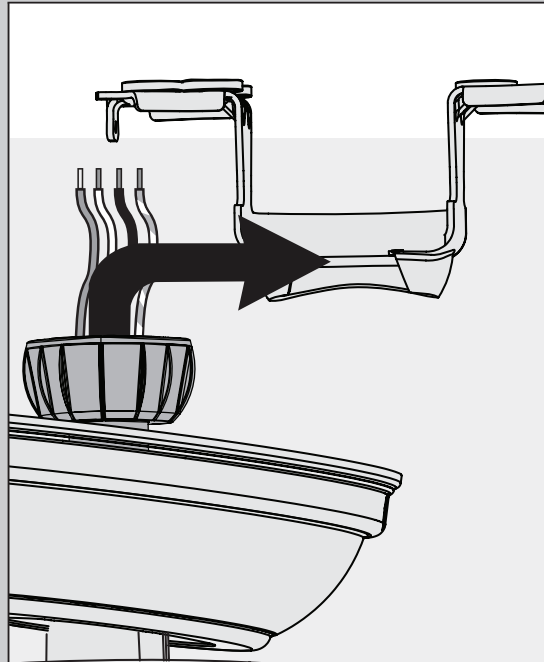


If the setscrew is not tightened securely, the fan may fall.



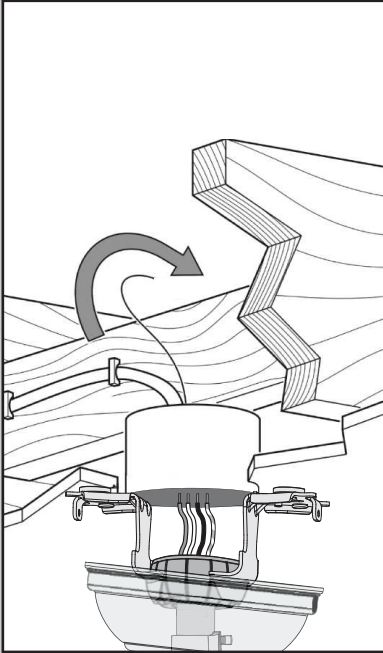


Put the wires and downrod through the canopy. Let the canopy sit loosely on top of the fan.

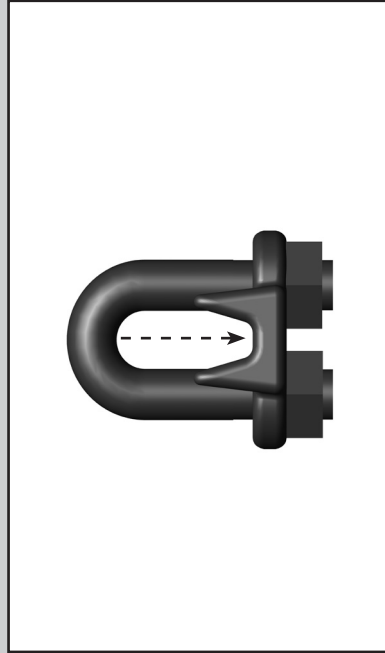


DO NOT PICK THE FAN UP BY THE CANOPY OR WIRES. Place the downrod ball into the slot in the ceiling bracket.

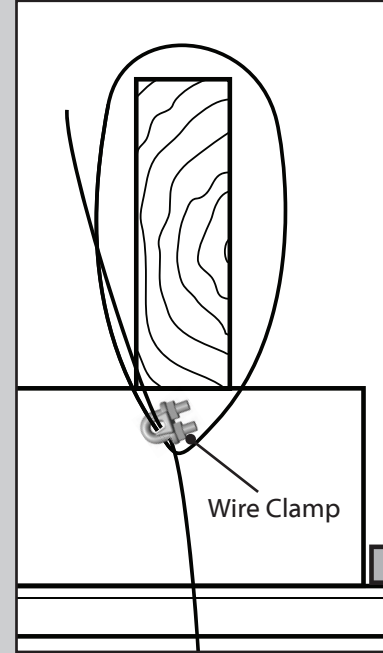




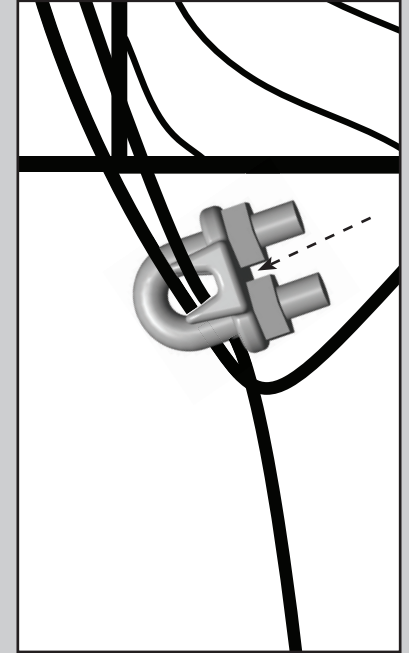
Insert the end of the braided cable through the ceiling bracket and one of the holes in the outlet box into the ceiling. Access the support brace in the ceiling. You may not be able to do this from below the ceiling depending on your installation site.



Loosen the two nuts on the wire clamp and slide the clamp open. Thread the end of the cable up through the wire clamp.

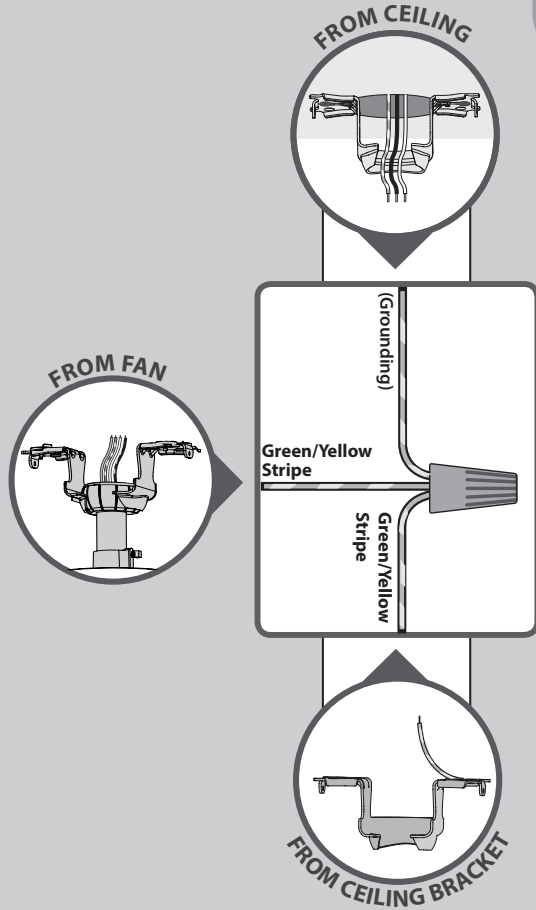


Wrap the braided cable around the support brace once, creating a complete circle. Thread the end of the cable through the bottom of the clamp again so the excess cable hangs out the top. Be sure to remove any slack from the cable.

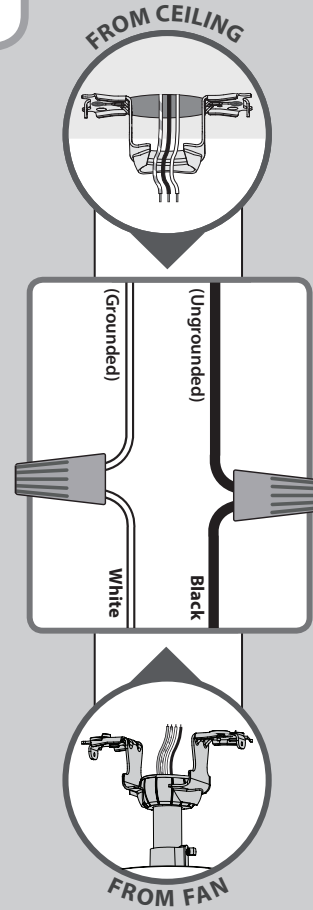


Close the clamp by securely tightening the nuts. Coil up the excess cable.

Note: To connect the wires, hold the bare metal leads together and place a wire connector over them, then twist clockwise until tight.



Using an orange wire connector from the ★ hardware bag, connect the 3 grounding wires (green, green/yellow stripe, or bare copper) coming from the ceiling, downrod, and hanging bracket.

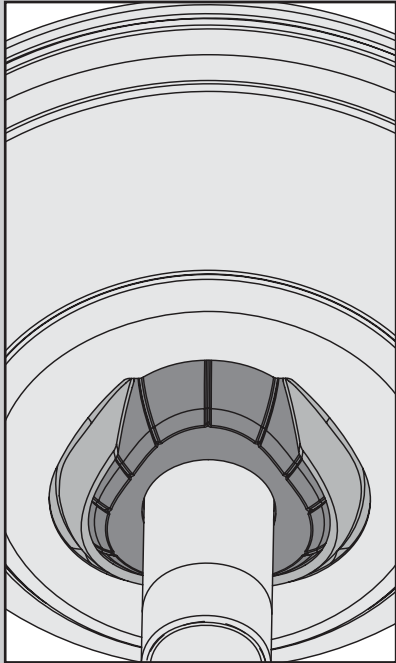


Using the orange wire connectors from the ★ hardware bag, connect the black wire (ungrounded) from the ceiling to the black wire from the fan. Connect the white wire (grounded) from the ceiling to the white wire from the fan.

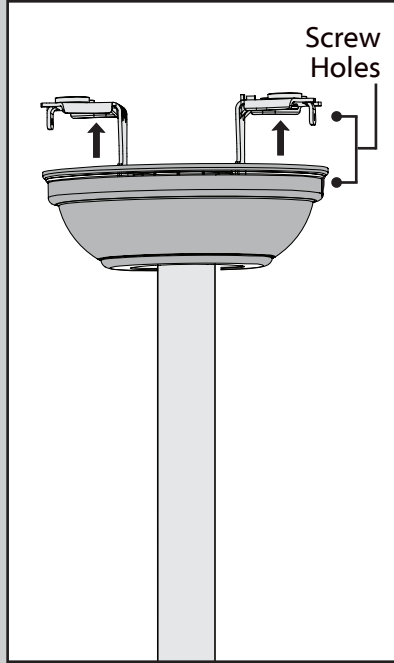
Refer to CAUTION c.1 on pg. 2

Turn the splices upward and push them carefully back through the hanger bracket into the outlet box. Spread the wires apart, with the grounded wires on one side of the outlet box and the ungrounded wires on the other side of the outlet box.

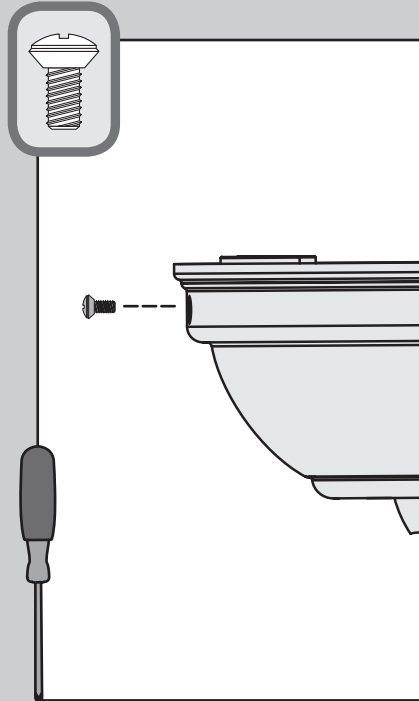




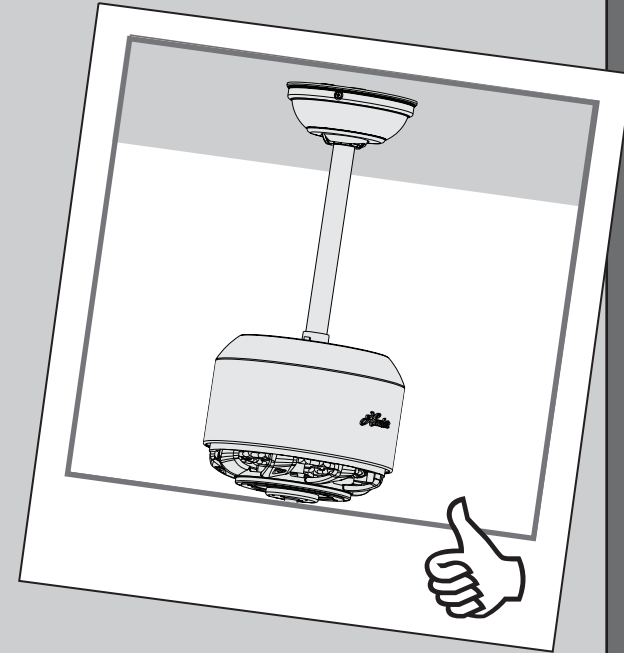
Position the canopy so that, when lifted into place, the canopy fits into the hanging bracket as shown.



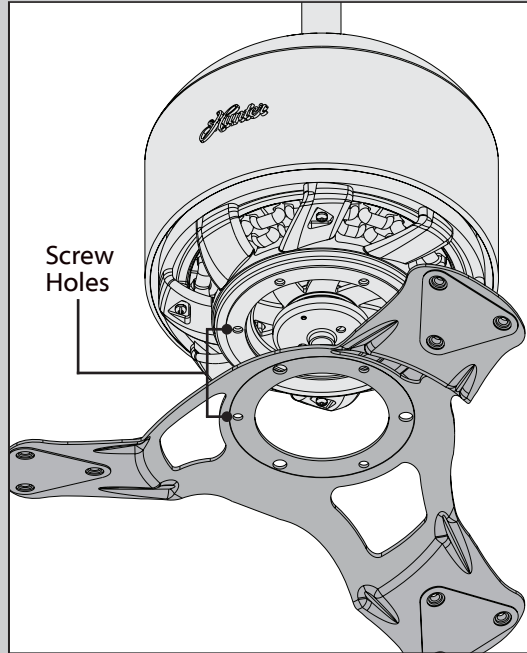
Lift the canopy into place so that the screw holes are aligned.



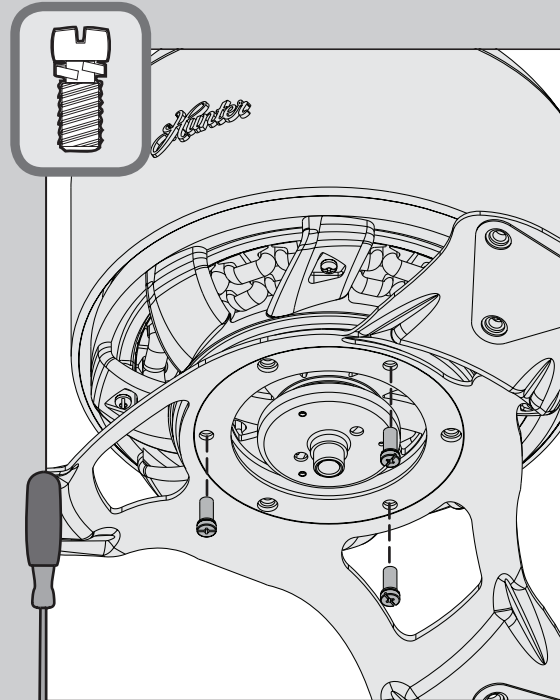
⊗ Insert the two canopy screws found in the ● hardware bag.



Note: Fan style may vary.

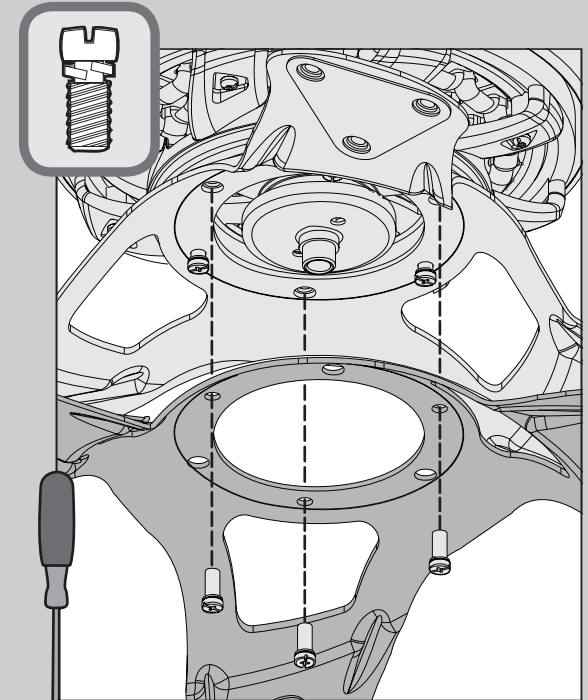


Lift a blade ring to the motor assembly and align the screw holes.



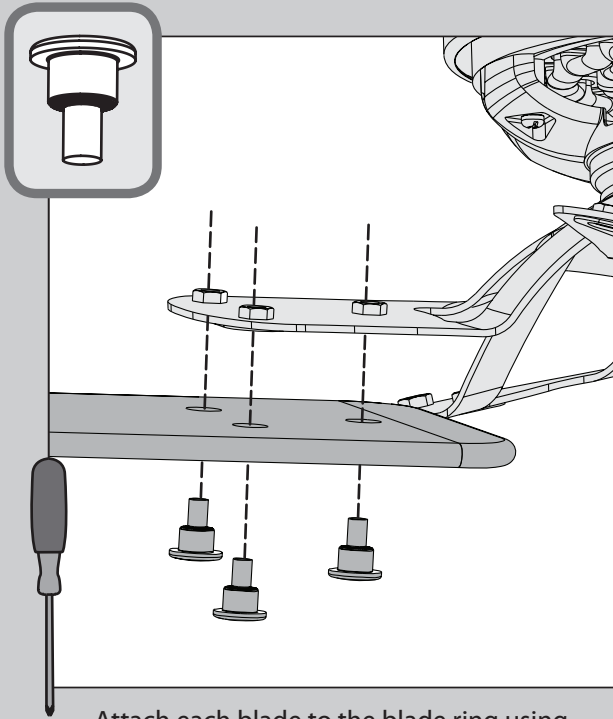
Install three blade assembly screws, found in the ⊗ hardware bag.

Note: In order to provide proper blade support, choose the three screw holes that are aligned with the three arms of the blade ring as shown in the illustration.

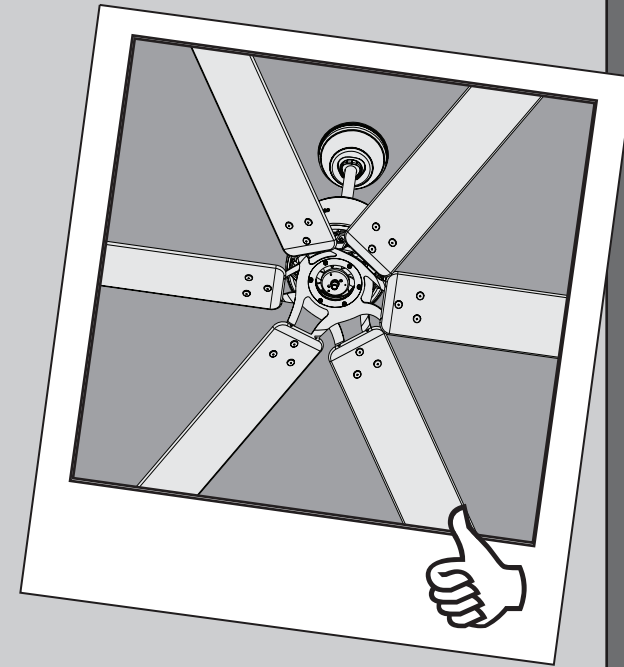


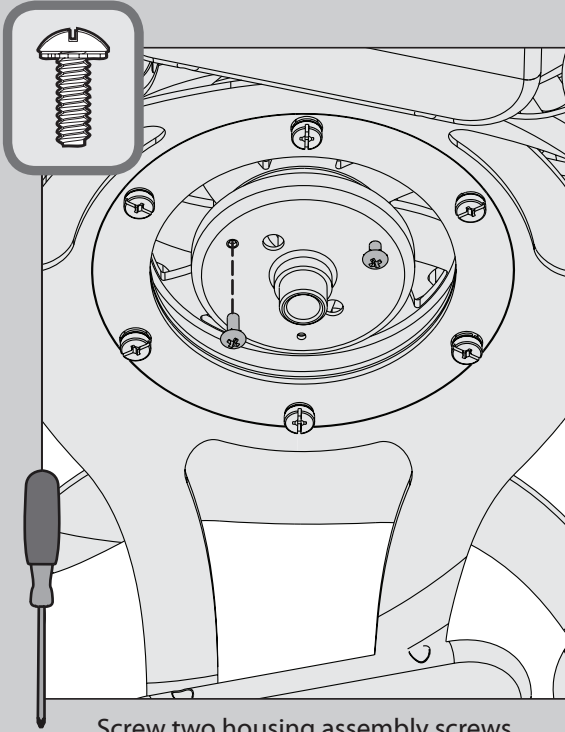
If you wish to install your fan with three blades, skip to the next page.

If you wish to install your fan with six blades, lift the optional second blade ring to the motor assembly and install three blade assembly screws, found in the ⊗ hardware bag, as shown in the illustration.

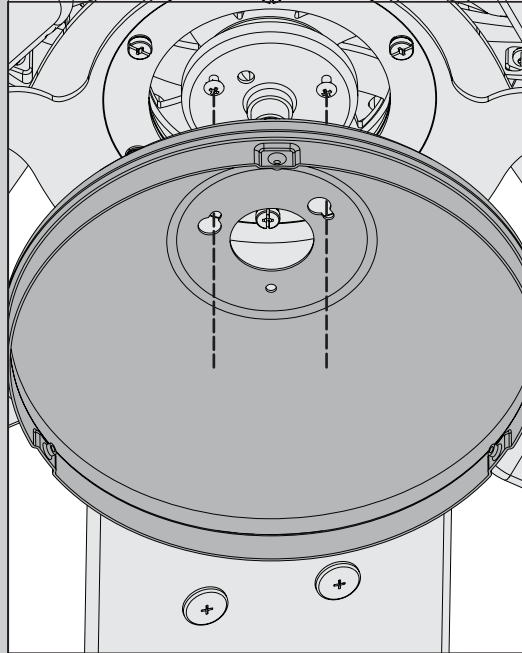


⊗ Attach each blade to the blade ring using three blade assembly screws, found in the ▲ hardware bag.

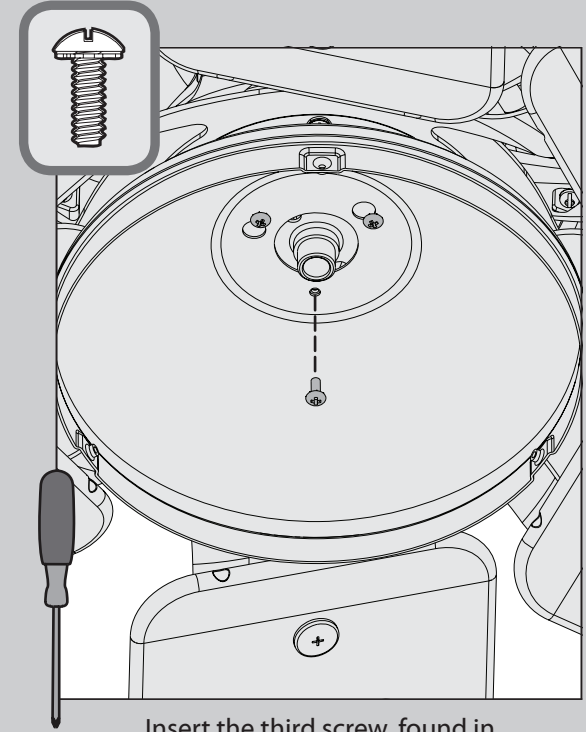




⊗ Screw two housing assembly screws from the ≡ hardware bag halfway into the motor housing. It does not matter which two screw holes you choose.



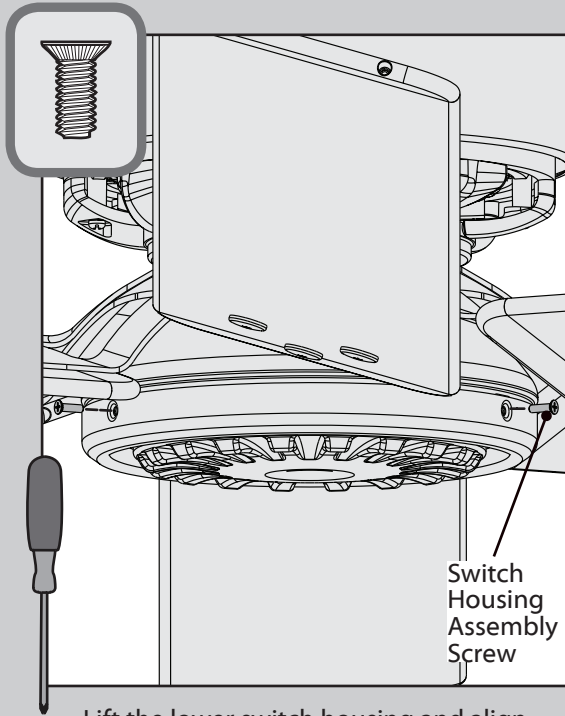
Wrap the keyhole slots in the upper switch housing around the screws and twist counterclockwise.

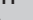


⊗ Insert the third screw, found in the ≡ hardware bag, into place and then tighten all three screws.

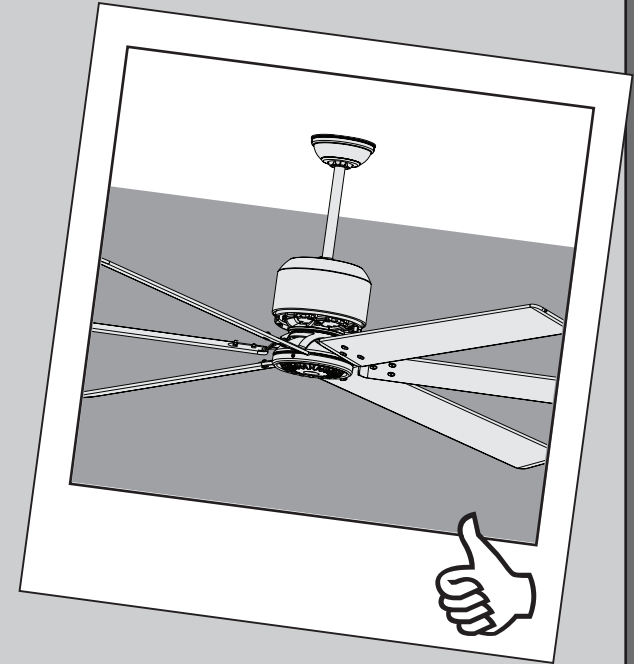
Make sure the upper switch housing is securely attached to the mounting plate. Failure to properly secure all 3 assembly screws could result in the switch housing fixture falling.

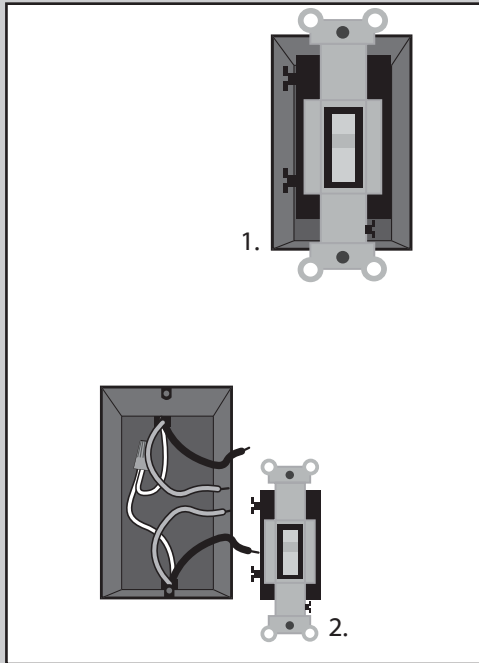




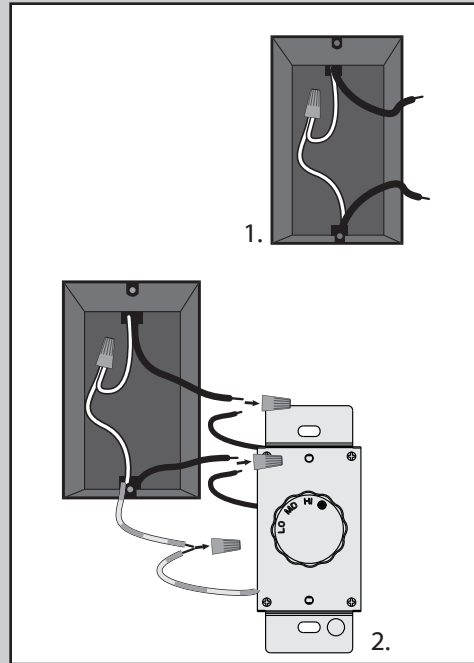
Lift the lower switch housing and align the screw holes with the screw holes in the side of the upper switch housing. Install the three switch housing assembly screws found in the  hardware bag.

Note: This fan is not compatible with any light kit.



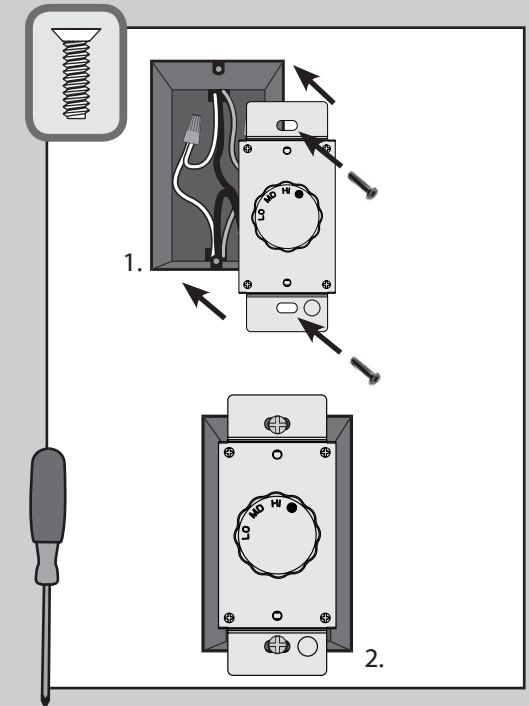


Shut off power to the room you will be working in at the breaker box. After removing the switch plate cover, remove all wiring from the switch.



Using the wire connectors, connect each black wire from the wall control to a black wire from the switch box. Connect the green with yellow stripe wire to the grounding wire from the switch box.

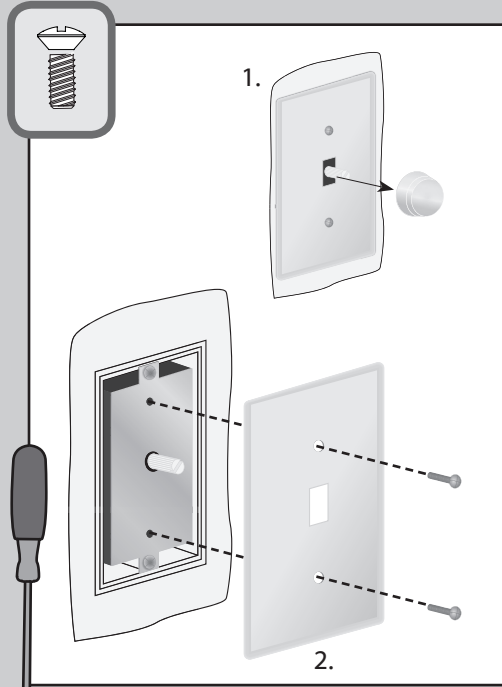
Note: If two white wires are present in the switch box, connect them to each other if they are not already connected.



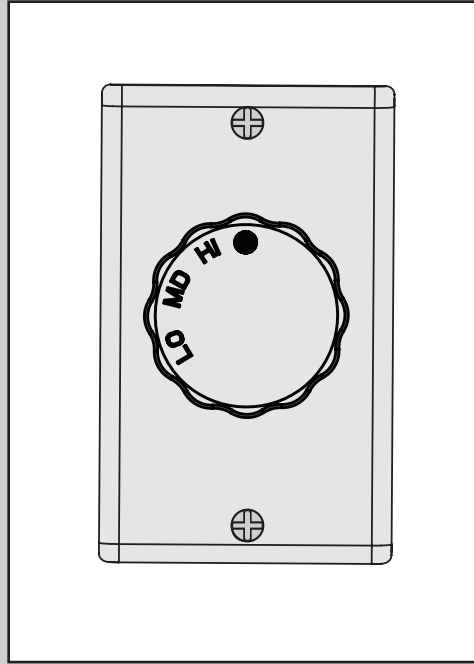
Insert the wall control into the outlet box and secure the two metal tabs to the tabs on the switch box using the two flat head screws that came with the switch box.

Do not restore power until all work is complete.



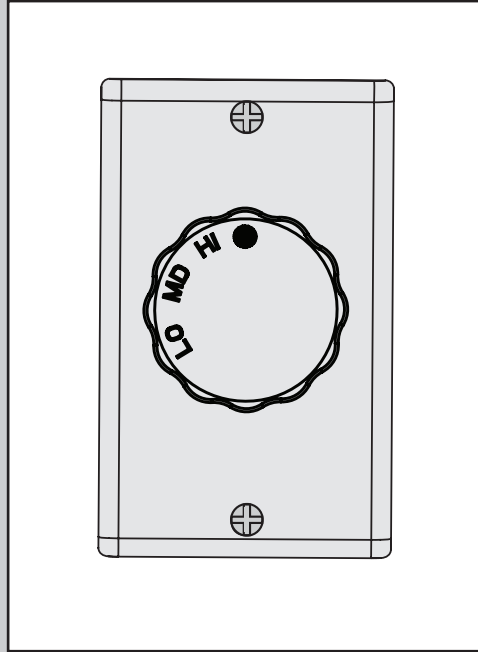
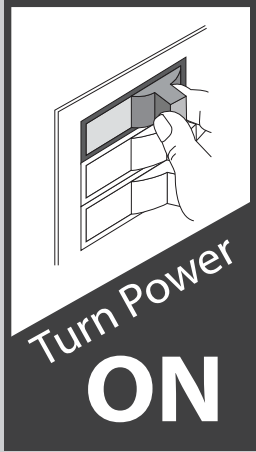


⊗ Remove the knob from the wall control and mount the faceplate (not included) to the wall control using the two #6-32 screws you removed earlier from the faceplate.

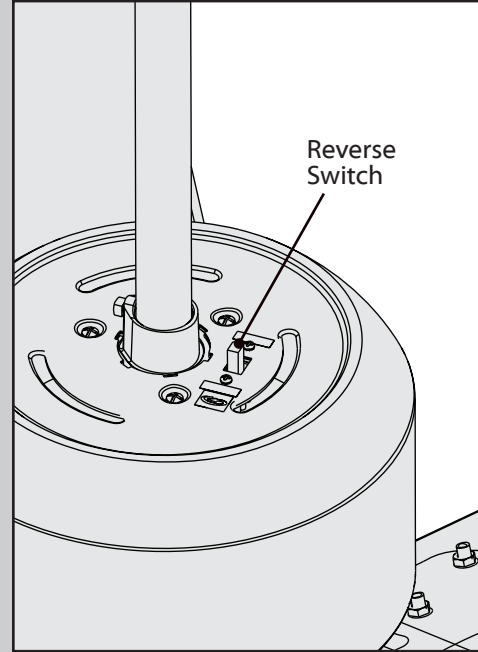


Reattach the knob onto the wall control and turn it to the left for the OFF position.

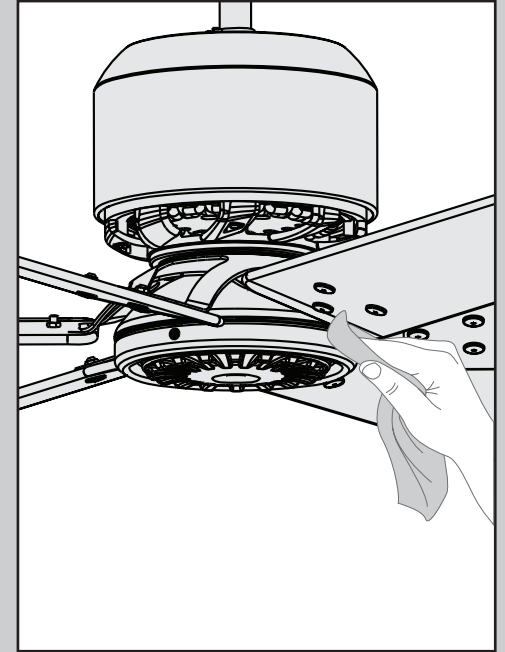




The knob on the wall control unit controls power to the fan. The fan has four speed settings in sequence: high, medium, low and off.



To change the direction of air flow, move the reverse switch to the opposite position.



For cleaning the fan, use soft brushes or cloths to prevent scratching. Cleaning products may damage the finishes.



Fan doesn't work

- Make sure power switch is on.
- Push the motor reversing switch firmly left or right to ensure that it is engaged.
- Check the circuit breaker to ensure the power is turned on.
- Make sure the blades spin freely.
- Turn off power from the circuit breaker, then loosen the canopy and check all the connections according to the wiring diagram on page 10.
- Turn off power from the circuit breaker, then ensure the wall control is properly installed according to the instructions on pages 16-17.

Excessive wobbling

- Tighten all of the blade and blade ring screws until they are snug.
- Turn the power off, support the fan carefully, and check that the hanger ball is properly seated.

Noisy Operation

- Tighten the blade and blade ring screws until they are snug.
- Check to see if any of the blades are cracked. If so, replace all of the blades.

