

# LawnMaster<sup>®</sup>

## Operator's Manual / Manual del Operador / Manuel de l'opérateur

### **EN** MX 24V Lithium-Ion Robotic Lawn Mower VBRM601YCM AD

Save this manual for future reference

\* Maximum initial battery workload voltage (measured without a workload) is 24 volts.

Nominal voltage is 21.6 volts.

### **ES** Robot cortacésped MX 24V de Ion-Litio VBRM601YCM AD

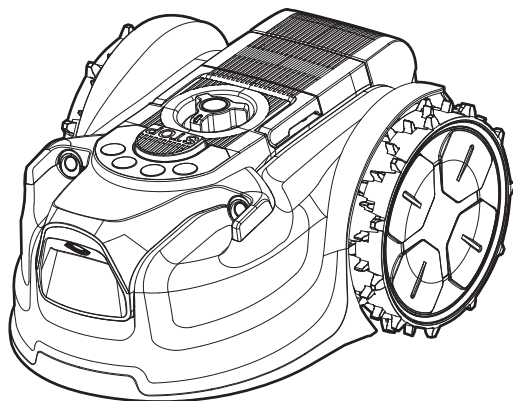
Guarde este manual para futuras referencias

\*El voltaje máximo inicial de la carga de trabajo de la batería (medido sin carga de trabajo) es de 24 voltios. El voltaje nominal es de 21.6 voltios.

### **FR** Tondeuse robot MX 24V Lithium-Ion VBRM601YCM AD

Conservez ce manuel pour toute référence ultérieure

\*La tension initiale maximale de la batterie (mesurée sans charge de travail) est de 24 volts. La tension nominale est de 21,6 volts.



Battery Model Number is 24LB8006-CN.

Charger Model Number is 24LFC14-ETL.

El número de modelo de la batería es 24LB8006-CN

El número de modelo del cargador es 24LFC14-ETL.

Le numéro de modèle de la batterie est 24LB8006-CN

Le numéro de modèle du chargeur est 24LFC14-ETL.



Read all safety rules and instructions carefully before operating this tool.

Distributed By: Suzhou Cleva Electric Appliance Co., Ltd.

NO.8 Ting Rong Street 215122 Suzhou - China



Lea atentamente todas las normas e instrucciones de seguridad antes de utilizar esta herramienta.

Distribuido por: Suzhou Cleva Electric Appliance Co., Ltd.

NO.8 Ting Rong Street 215122 Suzhou - China



Lisez attentivement toutes les règles de sécurité et les instructions avant d'utiliser cet outil.

Distribué par : Suzhou Cleva Electric Appliance Co., Ltd.

NO.8 Ting Rong Street 215122 Suzhou - Chine

# EN TABLE OF CONTENTS

---

<b>Section</b>	<b>Page</b>
TABLE OF CONTENTS	2
SPECIFICATIONS	3-4
IMPORTANT SAFETY INSTRUCTIONS	5-9
SYMBOLS	10-12
KNOW YOUR ROBOTIC MOWER	13-14
ASSEMBLY	15-16
BATTERY PACK AND CHARGER	17-19
OPERATION	20-31
MAINTENANCE	32-35
ENVIRONMENTALLY SAFE BATTERY DISPOSAL	36
TROUBLESHOOTING	37-42
LAWNMASTER® WARRANTY	43
EXPLODED VIEW	44
PARTS LIST	45
NOTES	46-47

# SPECIFICATIONS

**EN**

## DIMENSIONS

Length	17.24" (43.8 cm)
Width	13.7" (34.8 cm)
Height	8.66" (22 cm)
Weight (Without 8.0Ah Battery)	14.33 lbs (6.5 kg)

## MOWING

Voltage	24 V D.C.
No-load Speed	3500 RPM
Cutting System	3 Pivoting Cutting Blades
Cutting Width	6" (15.5 cm)
Cutting Height Adjustment	1"-2.5" (25-65 mm)
Power Consumption during Cutting	40 W±20%
Maximum Incline	19°
IP-Classification	IPX4

## BATTERY PACK

Model Number	24LB8006-CN
Rated Voltage of Battery	24 V Max* D.C.
Capacity of Battery	8.0 Ah
Battery Type	Lithium-ion

## BATTERY CHARGER

Model Number	24LFC14-ETL
Charger Input	120 V ~ 60 Hz 70 W
Charger Output	24 V D.C. 2.5 A
Charging Time	200 minutes (For 24LB8006-CN)

\* Maximum initial battery workload voltage (measured without a workload) is 24 volts.  
Nominal voltage is 21.6 volts.

## NOISE EMISSIONS MEASURED IN THE ENVIRONMENT AS SOUND POWER

Sound Power Level ( $L_{WA}$ ) Measured	64 dB(A)
Noise Emissions Uncertainties $K_{WA}$	3 dB(A)
Sound Power Level ( $L_{WA}$ ) Guaranteed	68 dB(A)
Sound Pressure Level ( $L_{PA}$ ) at the Operator's Ear	57 dB(A)

The noise emission declarations conform to EN 50636-2-107:2015

Noise emissions in the environment measured as sound power ( $L_{WA}$ ) in conformity with EC directive 2000/14/EC. The guaranteed sound power level includes variation in production as well as variation from the test code with 1-3 dB(A).

Sound pressure noise uncertainties KpA, 2-4 dB (A)

## ABOUT THIS PRODUCT

Thank you for choosing the LawnMaster® VBRM601YCM AD robotic lawn mower. This mower will independently mow the lawn in a parallel cutting pattern without the use of a boundary wire and charging station and will operate during daylight hours only. The mower detects grass in order to know where to mow and is also equipped with ultrasonic sensors which detect higher obstacles such as shrubs and fences. For successful operation, the lawn must be defined with flat borders such as paving or raised edges.

The mower uses a detachable MX 24V battery. It is designed to be used once or twice a week for several hours, and then stored away in a garage or shed until it is needed again. It will mow approximately 2690 sq. ft / 0.062 acres (250 m<sup>2</sup>) on a single charge depending on lawn conditions. Excessively long or wet grass may impact performance, it is therefore important to maintain a regular mowing schedule to keep on top of growth and development of a neat lawn finish.

## FIRST OPERATION

The VBRM601YCM AD is designed to detect grass and move into areas it identifies as grass. If it cannot see a clear boundary it will continue to move into areas off the lawn and into plants that it may identify as grass. Trimming the lawn edge with a grass trimmer before use will help define a better lawn edge. During first operation on a new lawn it is important to monitor the robot as it detects edges to see where the boundary definition needs to be improved. Please read the instructions fully, our instructions have been written to help you to get the best results and also provides useful ideas for temporary boundaries as well as examples of how to define a better lawn edge in all seasons.

## FOR YOUR SAFETY: CAREFULLY READ AND UNDERSTAND ALL INSTRUCTIONS.

## IMPORTANT!

**READ CAREFULLY BEFORE USE. KEEP FOR FUTURE REFERENCE.**

### TRAINING

- Read the instructions carefully. Be familiar with the controls and the proper use of the machine.
- Never allow people unfamiliar with these instructions or children to use the machine. Local regulations may restrict the age of the operator.
- The operator or user is responsible for accidents or hazards occurring to other people or their property.
- The operator or user is responsible for informing neighbors about the risks. Keep a safe distance from the machine when operating.
- If your lawn is open to the street and/or your neighbors, you must be present during the mower's operation to prevent others from accessing your lawn. Alternatively, you must protect/fence your lawn so that others do not access the mower during operation.
- This appliance is not intended for use by persons (including children) with reduced physical, sensory or mental capabilities, or lack of experience and knowledge, unless they have been given supervision or instruction concerning use of the appliance by a person responsible for their safety. Children should be supervised to ensure that they do not play with the appliance.



## WARNING

The robotic lawn mower can be dangerous if used incorrectly.

---



## WARNING

Never use the robotic lawn mower when people, especially children or pets, are in the cutting area.

---

### PREPARATION

- Ensure that the lawn area is defined as described in the section Preparing the Mowing Area and Defining the Mowing Area.
- Periodically inspect the area where the machine is to be used and remove all stones, sticks, wires, pet toys, and other foreign objects.
- Periodically visually inspect to see that the blades, blade bolts and cutting assembly are not worn or damaged. Replace worn or damaged blades and bolts in sets to preserve balance.
- On multi-spindle machines, take care as rotating one blade can cause other blades to rotate.

### OPERATION

- Do not leave the machine to operate unattended if you know that there are pets, children or people in the vicinity.
- Never operate the machine with defective guards, or without safety devices, for example deflectors in place.
- Do not put hands or feet near or under rotating parts. Do not touch moving hazardous parts before these have come to a complete stop.

# EN **IMPORTANT SAFETY INSTRUCTIONS**

- Never pick up or carry a machine while the motor is running.
- Always remove the safety key and battery:
  - Before clearing a blockage.
  - Before checking, cleaning or working on the machine.
- It is not permitted to modify the original design of the mower. All modifications are made at your own risk.
- Avoid using the mower and its peripherals in bad weather conditions, especially when there is a risk of lightning.
- Do not use the mower for any purpose other than cutting the lawn.
- In the event of accident or breakdown while the mower is operating, immediately press the STOP button.
- Do not put anything on top of the mower. Never allow people or animals to sit on the mower.
- Do not use the mower if the On/Off switch does not work.
- Do not use the mower when a sprinkler system is running. Ensure that the mower and the sprinkler system do not operate at the same time. Do not wash the mower with running water and do not immerse it in water. This product is not waterproof.
- Always switch off the mower by removing the safety key when the mower is not in use.
- The robotic lawn mower must never be stored, operated or charged in temperatures below 32°F (0°C) or above 122°F (50°C). This might cause damage to the product or battery.
- Mow only in daylight or in good artificial light. The mower requires good light to correctly identify the lawn area.
- Avoid operating the machine in very long or wet grass.
- Never use the machine in explosive and/or flammable environments.
- Do not operate the machine when barefoot or wearing open sandals. Always wear substantial footwear and long pants.
- Always be sure of your footing on slopes.
- Always switch on the motor according to instructions keeping feet away from the blade(s).
- Warning signs shall be placed around the working area of the robotic lawn mower if it is used in public areas. The signs shall have the following text:  
Warning! Automatic lawn mower! Keep away from the machine! Supervise children!

## **MAINTENANCE AND STORAGE**

- Keep all nuts, bolts, and screws tight to be sure the machine is in safe working condition.
- Replace worn or damaged parts for safety.
- Only use replacement blades recommended by the manufacturer.
- In the event of coming into contact with electrolytes caused by battery leakage, flush the affected area with water/neutralizing agent for several minutes. Seek medical attention if ingested, or if it comes into contact with your eyes, or if skin irritation persists.
- Servicing of the machine should be according to manufacturers' instructions.
- In case of abnormal vibrations, stop the mower, remove the safety key and the battery pack and check for any damage to the blade. Replace a worn or damaged blade to preserve balance. If the vibration continues, contact Customer Service.
- Use heavy gloves when inspecting or servicing blades.
- Cleaning and maintenance must not be performed by unsupervised children.
- Do not use the mower when the cutting blade is damaged. Replace the cutting blade.
- Use only original equipment and accessories. It is not permitted to modify the original design of the mower. All modifications are made at your own risk.
- Always remove the battery pack before storing the mower.

## TRANSPORTATION

Within the working area:

- Press the STOP button to stop the mower. Use both hands to carry the mower at the front and rear sections under the mower. Alternatively, you can carry the mower using the transport handle on the top of the mower deck. Carry the mower with the blade disc away from the body.

Long distances:

- When transporting your mower over long distances, press the STOP button and remove the safety key and the battery pack.
- **IMPORTANT!** It is recommended to keep the original packaging to avoid damage during transportation over long distances.

## BATTERY PACK

- The battery pack is only compatible with LawnMaster® 24LFC14-ETL, 24LFC02-ETL or 24LSC01-ETL chargers.
- Recharge only with the charger specified by the manufacturer and listed in this manual. A charger that is suitable for one type of battery pack may create a risk of fire when used with another battery pack.
- Do not charge battery in a damp or wet location. Following this rule will reduce the risk of electric shock.
- Do not place battery powered lawn mowers or their batteries near fire or heat. This will reduce the risk of explosion and possibly injury.
- Do not open or mutilate the battery. Released electrolyte is corrosive and may cause damage to the eyes or skin. It may be toxic if swallowed. Fumes may be emitted. In such situations, move to a well ventilated area, preferably outdoors and seek medical assistance in the event of discomfort.
- Do not dispose of battery packs in fire. They will explode or leak and cause injury. Liquid ejected from the battery may cause irritation or burns.
- Do not crush, drop or damage the battery pack. Do not use a battery pack or charger that has been dropped or received a sharp blow. A damaged battery is subject to explosion. Properly dispose of a dropped or damaged battery immediately.
- Batteries can explode in the presence of a ignition source, such as a pilot light. To reduce the risk of serious personal injury, never use any cordless product in the presence of an open flame. An exploded battery can propel debris and chemicals. If exposed, wash with water immediately.
- Under extreme usage or temperature conditions, battery leakage may occur. If liquid comes in contact with your skin, wash immediately with soap and water. If liquid gets into your eyes, flush them with clean water for at least 10 minutes, then seek immediate medical attention. Following this rule will reduce the risk of serious personal injury.
- When the battery pack is not in use, keep it away from other metal objects, like paper clips, coins, keys, nails, screws, or other small metal objects, that can make a connection from one terminal to another. Shorting the battery terminals together may cause burns or a fire.
- Do not expose a battery pack or lawn mower to fire or excessive temperature. Exposure to fire or temperature above 265°F (130°C) may cause an explosion.
- Do not modify or attempt to repair the lawn mower or the battery pack (as applicable) except as indicated in the instructions for use and care.
- Follow all charging instructions and do not charge the battery pack or lawn mower outside of the temperature range specified in the instructions. Charging improperly or at temperatures outside of the specified range may damage the battery and increase the risk of fire.
- All tool services should be performed by a qualified repair person using only identical replacement parts. This will ensure that the safety of the product is maintained.

## BATTERY CHARGER

- This charger is only compatible with LawnMaster® 24LB8006-CN, 24LB4005-C, 24LB1304, 24LB2004, 24LB2605, or 24LB4005 lithium-ion batteries.
- To reduce the risk of injury, charge only the specified lithium-ion rechargeable batteries. Other types of batteries may burst, causing personal injury or damage.
- Keep cord and charger away from heat to prevent damage to housing or internal parts.
- Do not operate charger with a damaged cord or plug, which could cause shorting and electric shock. If damaged, immediately discontinue use. Replace the charger with the identical unit as listed in the Parts List of this manual.
- Do not use a charger that has been dropped or received a sharp blow.
- Do not disassemble charger. Take it to a qualified service center for check or replacement. Incorrect reassembly may result in a risk of electric shock or fire.
- Do not abuse the charger cord. Never use the cord for carrying, pulling.
- Keep cord away from heat, oil, sharp edges or moving parts. Damaged or entangled cords increase the risk of electric shock. If the charger cord is damaged, replace the charger with an identical model as listed in this manual.
- A charger that is suitable for one type of battery pack may create a risk of fire when used with another battery pack.
- Charge the battery at the normal charging temperature between 40°F (4°C) and 100°F (38°C).

## PRODUCT END OF USE

- The mower and its accessories should be recycled correctly at the end of their life to prevent waste of electrical and electronic equipment from ending up in landfill sites, and to protect and improve the quality of the environment.
- Do not dispose of the mower or any other of its parts as unsorted municipal waste - they should be collected separately.
- Do not dispose of the battery pack in a fire, and do not place used batteries in your household waste.
- Dispose of batteries in accordance with the local regulations where they will be recycled in an environmentally friendly manner.

## FCC COMPLIANCE

- This device complies with Part 15 of the FCC Rules. Operation is subject to the following two conditions:
  - This device may not cause harmful interference, and
  - This device must accept any interference received, including interference that may cause undesired operation.
- **NOTE:** This equipment has been tested and found to comply with the limits for a Class B digital device, pursuant to Part 15 of the FCC Rules. These limits are designed to provide reasonable protection against harmful interference in a residential installation.
- This equipment generates, uses and can radiate radio frequency energy and, if not installed and used in accordance with the instructions, may cause harmful interference to radio communications. However, there is no guarantee that interference will not occur in a particular installation. If this equipment does cause harmful interference to radio or television reception, which can be determined by turning the equipment off and on, the user is encouraged to try to correct the interference by one or more of the following measures:

# IMPORTANT SAFETY INSTRUCTIONS

---












EN


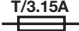






- Reorient or relocate the receiving antenna.
- Increase the separation between the equipment and receiver.
- Connect the equipment into an outlet on a circuit different from that of the receiver.
- Consult the dealer or an experienced radio/ TV technician for help.

## SAVE THESE INSTRUCTIONS




Refer to them frequently and use them to instruct others who may use this appliance. If you loan someone this appliance, loan them these instructions also.

Some of the following symbols may be used on this product. Please study them and learn their meaning. Proper interpretation of these symbols will allow you to operate the product better and safer.

SYMBOL	DESIGNATION/EXPLANATION
	WARNING - The robotic lawnmower can be dangerous if used incorrectly.
	Read instruction manual before operating the machine.
	Keep bystanders away.
	Remove the safety key before working on or lifting the machine.
	Operate the safety key before working on or lifting the machine.
	Do not ride on the machine.
	Wait until all moving parts have stopped completely before touching them. The blade may continue to rotate after the machine is switched off, a rotating blade can cause injury.
	Do not wash or immerse the machine in water.
	WARNING! Beware of electric shocks.
	Protection class II (Double insulation)
	Class III machines.

SYMBOL	DESIGNATION/EXPLANATION
	Only recharge battery packs with the supplied charger indoors.
	Fuse
	Electrical appliances must not be disposed of with the domestic waste.
	Batteries contain Lithium-ion. Do not dispose of batteries in household waste.
	Do not dispose of battery packs in rivers or immerse in water.
	Do not dispose of battery packs in explode or leak and cause injury.
	Do not expose battery packs to heat in excess of 140°F (60°C).
	Recycle electrical waste products in an environmentally safe way where facilities exist.

The following signal words and meanings are intended to explain the levels of risk associated with this product.

<b>SYMBOL</b>	<b>SIGNAL</b>	<b>MEANING</b>
	<b>DANGER</b>	Indicates an imminently hazardous situation, which, if not avoided, will result in death or serious injury.
	<b>WARNING</b>	Indicates a potentially hazardous situation, which, if not avoided, could result in death or serious injury.
	<b>CAUTION</b>	Indicates a potentially hazardous situation, which, if not avoided, may result in minor or moderate injury.
	<b>NOTICE</b>	(Without Safety Alert Symbol) Indicates a situation that may result in property damage.

## **SERVICE**

Service requires extreme care and knowledge and should be performed only by a qualified service technician. When servicing, use only identical replacement parts.

For troubleshooting or replacement, please call Customer Service for assistance (Toll free number 1-866-384-8432).

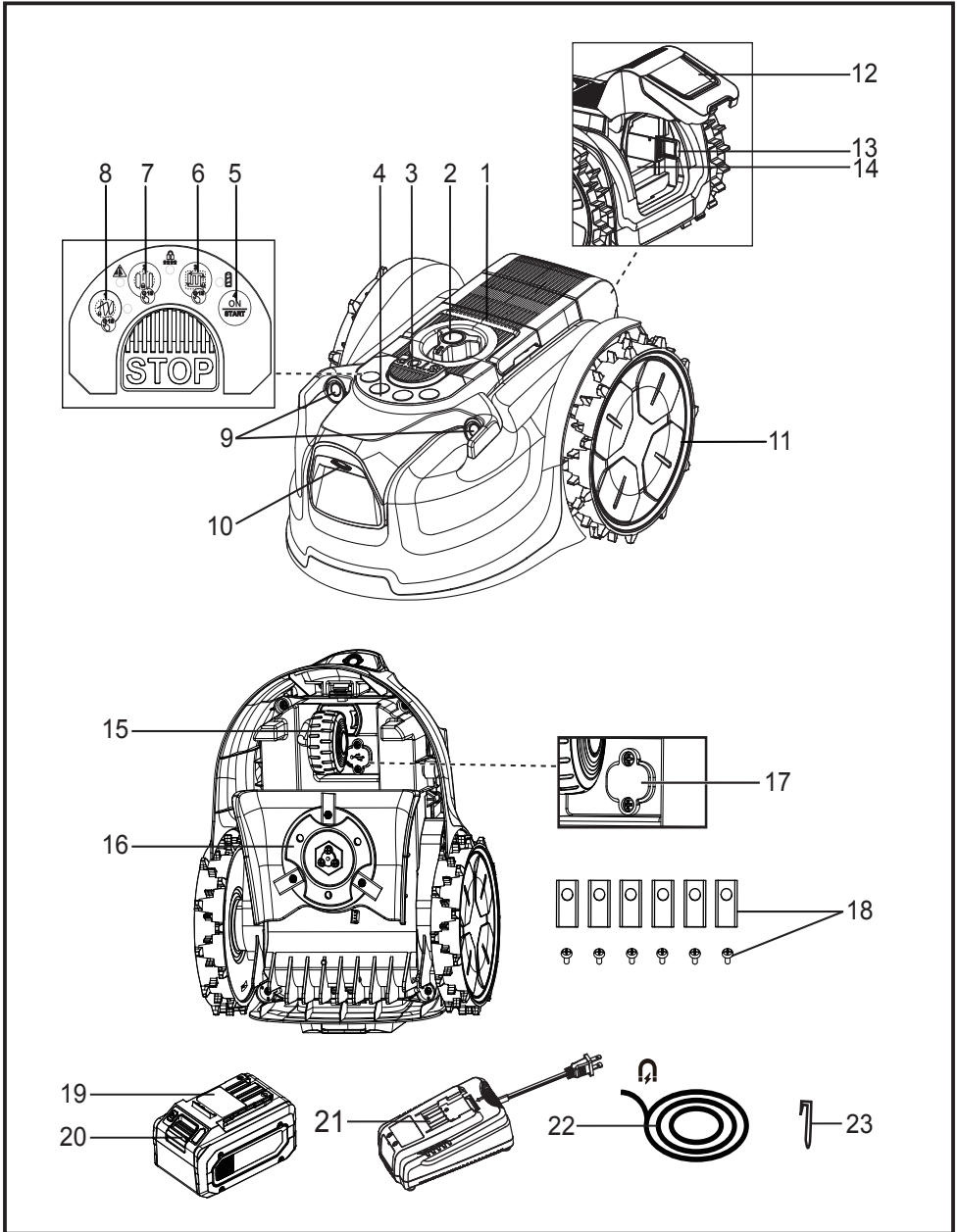
---

## **WARNING**

To avoid serious personal injury, do not attempt to use this product until you read thoroughly and understand completely the Operator's Manual.

If you do not understand the warnings and instructions in the Operator's Manual, do not use this product. Call Customer Service for assistance (Toll free number 1-866-384-8432).

---



# EN KNOW YOUR ROBOTIC MOWER

---

## Components

- |  |                               |                                     |
|--|-------------------------------|-------------------------------------|
| 1. Carry Handle                          | 8. Random Mowing Button       | 17. USB Port (Covered by Resin Cap) |
| 2. Cutting Height Adjustment Knob        | 9. Ultrasonic Object Sensors  | 18. Spare Blade and Screw (X6)      |
| 3. STOP Button                           | 10. Lawn Detection Camera     | 19. Battery Pack                    |
| 4. Control Panel                         | 11. Rear Wheel                | 20. Battery Release Button          |
| 5. START/ON Button                       | 12. Battery Compartment Cover | 21. Battery Charger                 |
| 6. Automatic Parallel Mowing Button      | 13. Safety Key                | 22. Magnetic Strip (5m, X3)         |
| 7. Partial/Manual Parallel Mowing Button | 14. Battery Compartment       | 23. Magnetic Strip Peg (X30)        |
|  | 15. Front Wheel               |                                     |
|  | 16. Blade Disc                |                                     |

## KNOW YOUR ROBOTIC MOWER

The safe use of this product requires an understanding of the information on the product and in this Operator's Manual as well as a knowledge of the project you are attempting to use. Before use of this product, familiarize yourself with all operating features and safety rules.

## UNPACKING

This product has been shipped completely assembled.

- Carefully remove the product and any accessories from the box. Make sure that all items listed in the packing list are included.
- Inspect the product carefully to make sure no breakage or damage occurred during shipping.
- Do not discard the packing material until you have carefully inspected and satisfactorily operated the product.
- If any parts are damaged or missing, do not operate the product. Please call Customer Service (Toll free number 1-866-384-8432).



## WARNING

Do not use this product if any parts on the Packing List are already assembled to your product when you unpack it. Parts on the packing list are not assembled to the product and require customer installation. Use of a product that may have been improperly assembled could result in serious personal injury.

Ensure the safety key is not fitted before installing the battery.

---

## PACKING LIST

- (1) Robotic Mower
- (1) Safety Key (Attached inside the Battery Pack Compartment of Mower)
- (3) Magnetic Strip (16.4 ft / 5 m)
- (30) Magnetic Strip Pegs
- (9) Blades and Screws (3 Pre-installed on Blade Disc)
- (1) 24V Max\* 8.0 Ah Lithium-Ion Battery
- (1) 24V Max\* Battery Charger
- (1) Operator's Manual

## INSTALLING / REMOVING THE BATTERY PACK

---



## WARNING

**IMPORTANT!** The battery pack is not charged when it is purchased. Before using the mower, read all safety precautions, and follow the instructions in the Battery Pack and Charger section. With regular use, it will need shorter charging time. If storing for a prolonged period of time, remove the battery. When ready to use again, charge the battery pack.

---

## To install the battery pack:

1. Lift the battery compartment cover.
2. Align the support rails located within the battery compartment with the guides in the battery pack, and then insert the battery pack into the compartment (Fig. 1).
3. Push the battery pack until you hear a “click”.
4. Insert the safety key into the keyholes located near the battery compartment (Fig. 2).

**NOTE:** The safety key only fits into the keyholes in one direction. Do not force it.

5. Close the battery compartment cover.

**NOTE:** Make sure that battery pack firmly snaps into place and is secured to the mower before starting operation.

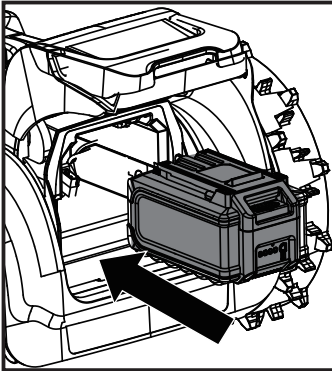


Fig. 1

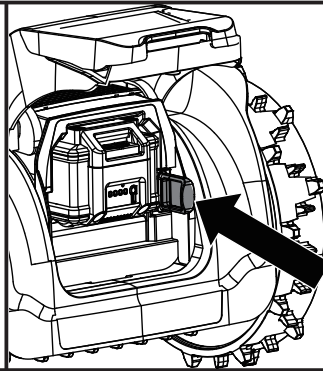


Fig. 2

## To remove the battery pack:

1. Stop the lawn mower. Lift the battery compartment cover and remove the safety key.
2. Press and hold the release button on the battery pack (1), grasp the battery pack firmly and pull out (2) of the battery compartment (Fig. 3).
3. Close the battery compartment cover.

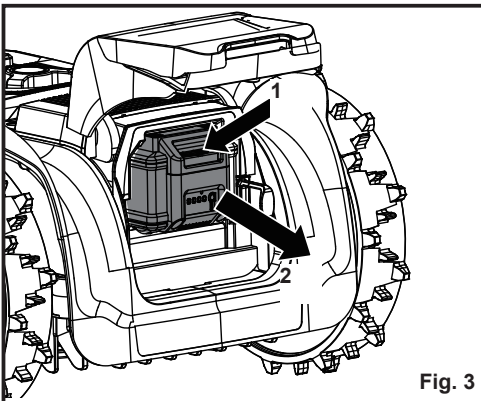


Fig. 3




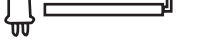



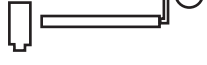
## BATTERY CHARGING

1. Use only with 24V LawnMaster® battery chargers. The battery charger supplied is specifically designed for the lithium-Ion battery used in this garden appliance.
2. Check the power voltage! Battery chargers operate on 120 V.
3. The battery is charged between 40°F (4°C) and 100°F (38°C). This ensures optimum battery service life.
4. Protect the battery from heat, continuous exposure to sun and keep away from radiation or other heat sources. Do not leave the battery in the mower in direct sunlight over long periods of time.
5. The battery is supplied partially charged. To ensure full capacity of the battery, charge the battery before using your appliance for the first time. The lithium-ion battery can be charged at any time without reducing its service life. Interrupting the charging procedure does not affect the battery.

## LED CHARGER STATUS

1. If the battery is not inserted into the charger, a **continuous red LED light** indicates that the charger is plugged into a power supply socket and is now ready to begin charging.
2. Charging: A **flashing green LED** on the charger indicates that the battery is charging normally.
3. Charged: **Continuous green LED** on the charger indicates that the battery is ready for use.

The indicator lights on the charger show the charger status:

SYMBOL	INDICATOR LIGHTS	STATUS
		Red, blinking Charging paused. See Technical Issue.
		Red, continuous Connected to power supply.
		Green, blinking Charging.
		Green, continuous Fully charged.

4. The intelligent charger ensures maximum battery life, because it measures the existing charge level of the battery and then charges with the required current and voltage. Charge battery fully before storage.
5. **Technical Issue: A flashing red LED** light on the charger indicates that the battery pack has a charging problem or might be defective.
  - a) One possible condition is the battery temperature is not within the charging temperature range of 40°F (4°C) and 104°F (40°C). As soon as the permitted temperature is reached, the battery charger will automatically switch to charging.

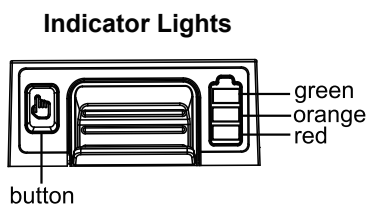
# EN BATTERY PACK AND CHARGER

- b) If the temperature range is correct and flashing red LED light continues, then remove and reinstall the battery pack. If the LED status repeats a second time, try to charge another identical battery. If the battery charges normally, dispose of the defective battery pack (see Environmentally Safe Battery Disposal section).
  - c) If the flashing red light continues after installing the second battery (ensure the battery temperature is normal), the charger may be defective. Replace with a new one.
6. After continuous or repeated charging cycles without interruption, the charger may warm up. This is normal and does not indicate a technical defect of the battery charger.

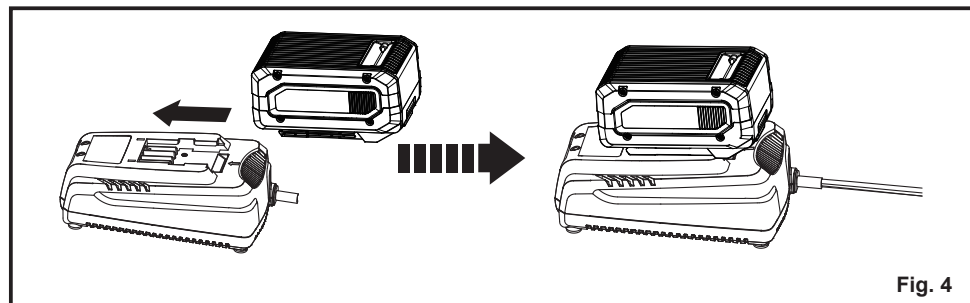
## BATTERY LED PANEL

- 1. The panel consists of 3 LEDs on the battery. Press and hold the button, then release it, the LEDs will show you the charge levels.
- 2. The battery's charge level can be checked either when the battery is attached on the mower/charger or removed from the mower/charger.

LEDs on Battery (Continuous Lighting)	Battery Capacity
3 LEDs	Fully charged.
2 LEDs (orange & red)	≥40%
1 LED (red only)	<40% (Recharge required).



## CHARGING THE BATTERY PACK





## WARNING

If any part of the charger is missing or damaged, do not operate it! Replace the charger with a new one. Failure to heed this warning could result in possible serious injury. Check the voltage! The voltage must comply with the information on the rating label.

---

1. Align the slot of the battery pack with the rail on the charger. Slide the battery onto the rail until the battery pack secures into place (Fig. 4).
2. Connect the charger to the power supply.
3. Allow sufficient charging time (see Specifications), and then disconnect the charger from the power supply.
4. Press the release button on the battery pack and remove it from the charger.

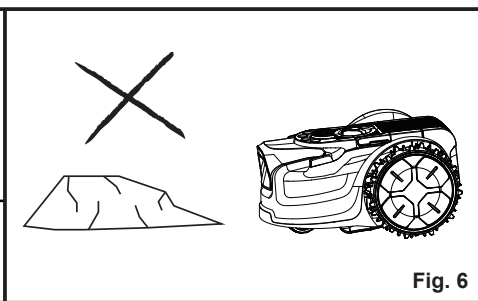
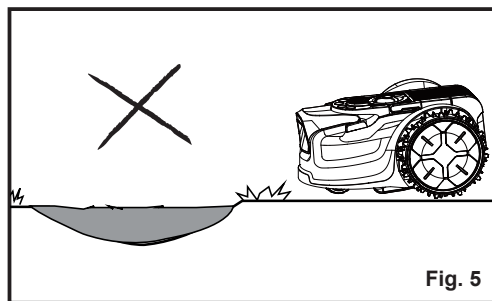
**NOTE:** It is normal for the battery pack and the charger to become warm (but not hot) during charging process. If the battery does not charge properly, check to make sure the electrical outlet is operational. Always charge the battery before storage!

## PREPARING THE MOWING AREA

### Lawn Surface

1. The lawn surface should be as uniform as possible. Bare patches and leaves can disrupt the operation of the mower. Clear leaves at regular intervals and repair dead patches with grass seed
2. Inspect the lawn for holes or hollows. Fill them with topsoil to prevent rainwater from forming pools of water on the lawn and to prevent mower from becoming stuck. The mower may be damaged if it is operated in pools of water (Fig. 5).
3. If there are stones on the lawn that may damage the mower, they should be removed or excluded from the working area (Fig. 6).

**NOTE:** This mower is not designed to cut excessively long or overgrown and neglected areas. For best performance mow or trim grass down to 2.36" (60 mm) before use. Do not allow grass to grow excessively long between uses.



## DEFINING THE MOWING AREA

Lawn edges must be clearly defined by flat edging or raised barriers in order for this mower to function properly.

1. Visual boundaries need to look different from lawn, therefore changes in color and texture are very effective.
2. Physical boundaries help stop the mower, when a visual boundary is not possible.
3. Temporary physical boundaries can be used while the lawn boundary definition is improved.
4. The mower will work best on simple geometric lawns. Complex lawn conditions may cause the mower to leave some sections uncut or not completed well using Automatic Parallel Mowing mode. In such cases, use Partial/Manual Parallel Mowing mode to complete the cut.
5. Prior to using Automatic Parallel Mowing mode, remove excessive obstacles from the lawn. If they cannot be removed, using the Random Mowing mode is recommended.
6. Where the lawn has extensive yellow/brown grass (e.g. in autumn) or patchy areas, using the Random Mowing mode is recommended.

The robotic mower is equipped with the following devices which allow it to detect the edges and know where to mow:

- The lawn detection camera: for recognizing changes in surface type, e.g., from lawn to paving.
- Two ultrasonic object sensors: for detecting obstacles higher than 9.84" (25 cm). They are turned on by default setting and will sense plants, shrubs and other obstacles in and around the edges of the lawn. For a consistent cut, long grass must be cut down before mowing, or the ultrasonic sensors must be turned off.

If the robotic mower encounters an obstacle such as a tree or flower border, it will turn and move horizontally for a short distance, before proceeding with parallel pattern mowing (Fig. 7). This may result in an uncut area behind an obstacle which will later need to be mowed using manual mode. To allow the robotic mower to move freely inside the lawn, the lawn must be properly checked and adjusted so that the robotic mower has enough space for recognizing when there is an obstacle. Carefully follow instructions listed as below for types of borders/protections that can/cannot be used for defining the working area.

## Paving

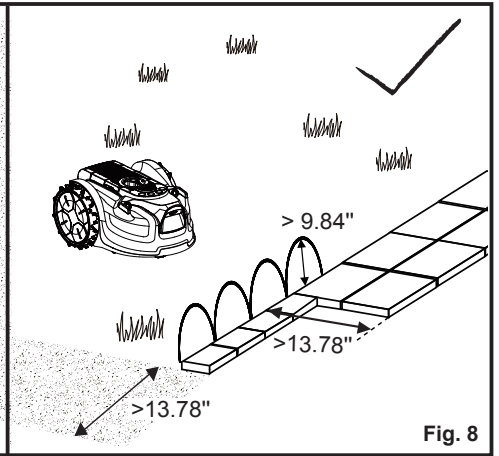
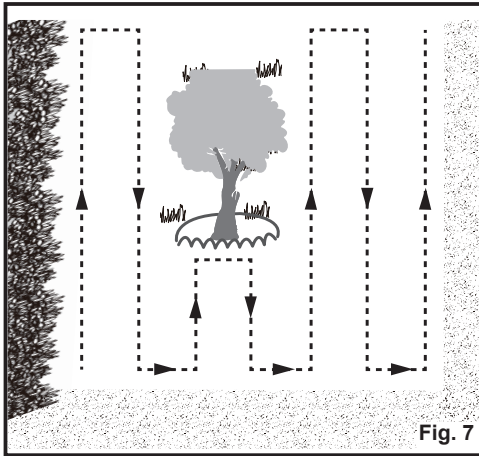
The lawn requires a paved or wooden edge of at least 13.78" (35 cm) wide for it to stop safely and change direction.

Paved or wooden edges less than 13.78" (35 cm) wide must be widened or can be used in conjunction with a barrier. See Raised Barrier section below (Fig. 8).

## Raised Barrier

With the ultrasonic sensors on, a perimeter barrier at a height above 9.84" (25 cm) can be used to define the border of the working area. The ultrasonic sensors will detect the barrier, and change direction.

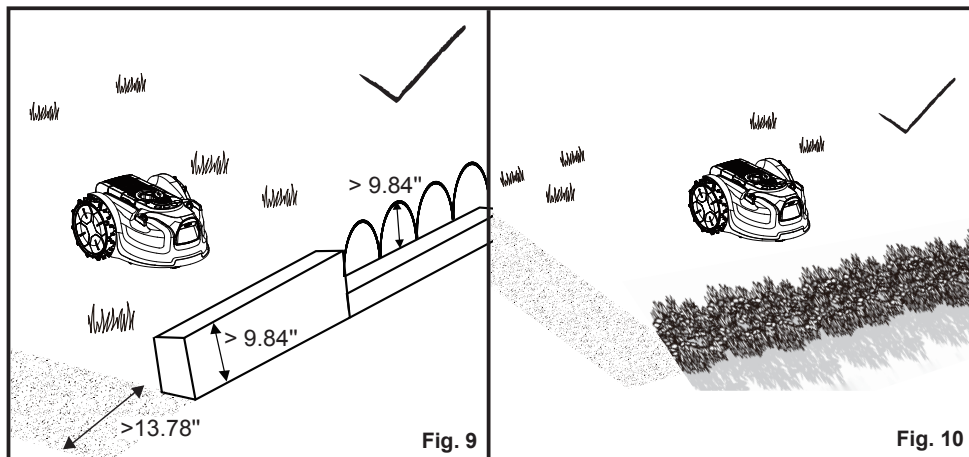
If an existing barrier is shorter than 9.84" (25 cm), replace or raise the barrier or add additional paving (Fig. 9).



## Hedging

With the ultrasonic sensors on, hedges can be used to define working area (Fig. 10).

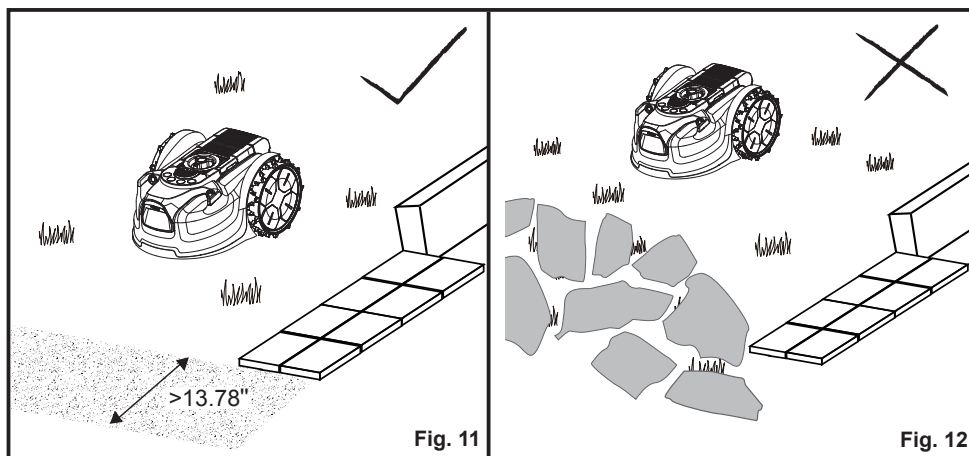
**NOTE:** Foliage is usually recognized as grass by the robotic mower. Therefore, ultrasonic sensors must be always kept on when using hedges as the border of the working area.



## Fine gravel

If fine gravel or small stones are used to border the lawn, make sure the width of the border is more than 13.78" (35 cm) wide and has clear edges (Fig. 11).

**NOTE:** Never use gravel, stones or similar materials with irregular edges for defining the working area (Fig. 12). Failure to provide clear edges will result in the mower leaving the mowing area and blade damage.



## Physical Bump Barriers

A border that physically obstructs the movement of the mower can also be used. This boundary could be lower than 9.84" (25 cm) so undetectable by the ultrasonic object sensors, and also narrower than 13.78" (35 cm). When the robot meets this physical barrier, it will bump off, reverse and turn. This type of boundary may suit your lawn in some areas.

## Temporary Physical Bump Barriers

During first use, while lawn patches are being seeded or with seasonal lawn flowers, it may be desirable to use a temporary method to protect or define the lawn area for the mower to cut. In this case, garden canes are particularly effective and do not detract from the look of the lawn. In spring, you can protect flower bulbs in the lawn from the mower by sinking short canes vertically into the lawn around the area spaced at 7.87" (20 cm). The mower will be physically prevented from entering any protected areas.

## Magnetic Strip

The magnetic strip serves as a mobile and temporary boundary for creating areas where the robotic mower is not allowed to mow.

The robotic mower is equipped with a magnetic strip sensor for recognizing a magnetic strip lying on the ground. When the robotic mower comes across a magnetic strip during the perimeter cut, it will cut following the magnetic strip.

1. Lay the magnetic strip a few centimeters away from the area or object in question.
2. Make sure that the outer boundary of the mowing area is defined by an optical or physical separation.
3. Fasten the magnetic strip to the ground with the supplied magnetic strip pegs spaced 39.37" (1 m) apart.
4. Do not run the magnetic strip outside of the lawn area. The mower may follow the magnetic strip and become stuck (Fig. 13).

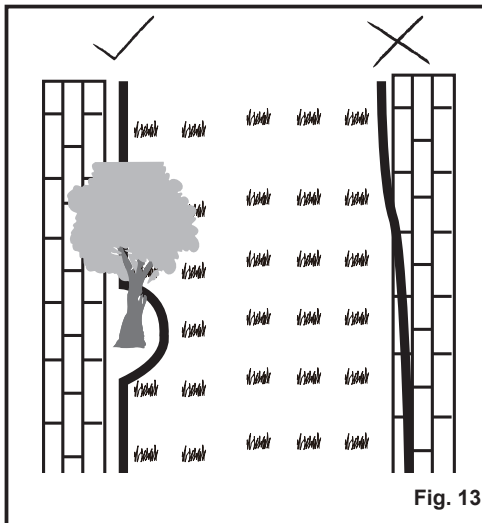
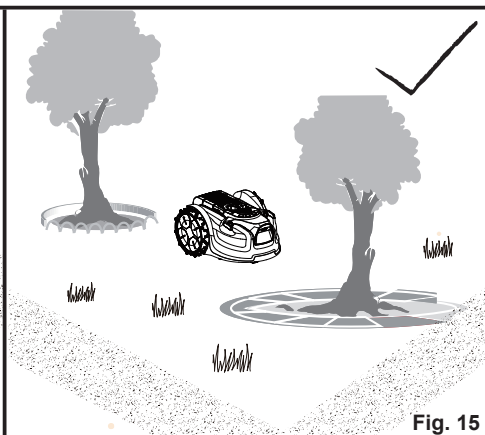
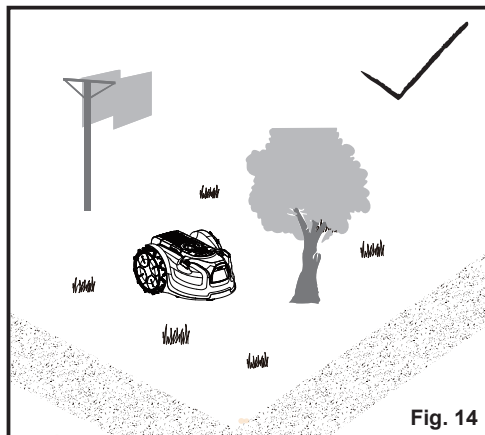


Fig. 13

## Obstacles in the Mowing Area

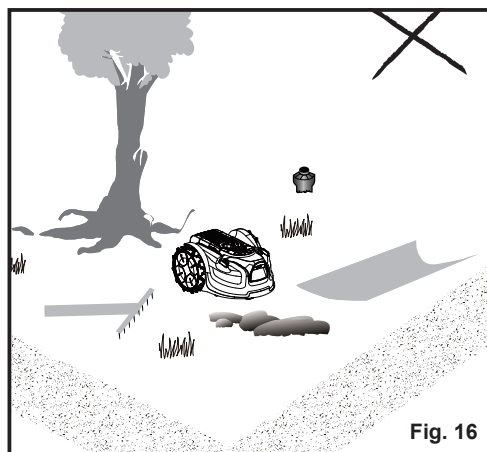
With the ultrasonic sensors on, objects which do not impede the robotic mower's normal functioning, such as trees (without raised roots), vertical poles, etc., do not require excluding from the mowing area (Fig. 14).

When objects, such as exposed tree roots, exposed wires, irrigation systems, drains, etc., are present on the surface of the lawn, it is required to protect these objects with paving, walls or barriers to prevent the damage to them and to the robotic mower (Fig. 15).



The working area cannot be defined by holes or ditches. Ensure that there are no objects such as toys, work tools, small stones, branches, or sprinklers, etc., on the lawn or protruding from the ground which could impede the mower or cause damage to the blade (Fig. 16).

**NOTE:** Avoid leaves accumulating on the lawn, as they may not be detected correctly by the robotic mower. Remove leaves at regular intervals.

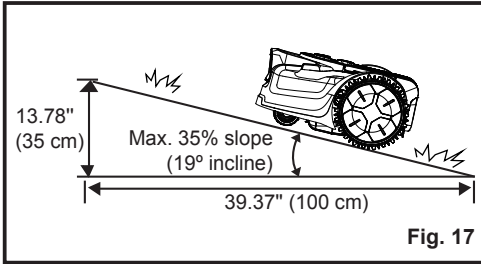


## Slopes

The robotic mower has the ability to safely climb slopes of 35% or 19° inclines, and areas that are steeper than this should be excluded (Fig. 17).

To calculate the slope of your lawn, see Fig. 17. The slope would be:

$$\frac{13.78'' \text{ (35 cm) (Elevation)}}{39.37'' \text{ (100cm) (Length)}} = 35\% \text{ (slope)}$$

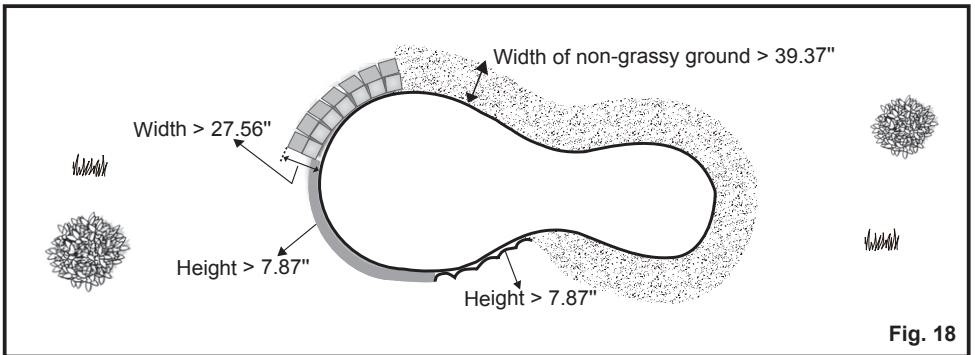


## Pools and Ponds

If there is a pool or pond in the mowing area, create appropriate borders to protect it.

- Raised barriers higher than 7.87" (20 cm).
- Flat edging (paving, gravel or wooden boards wider than 27.56" (70 cm)).

The illustration shows a correctly defined working area for the correct functioning of the mower (Fig. 18). **It is very important to make visual boundaries around ponds wide and obvious for the mower. Pond plants and algae could be interpreted as grass. Physical boundaries around ponds are highly recommended and will prevent any accidental water damage to your mower which is not covered by the manufacturers warranty.**



## CONTROL PANEL (FIG. 19)

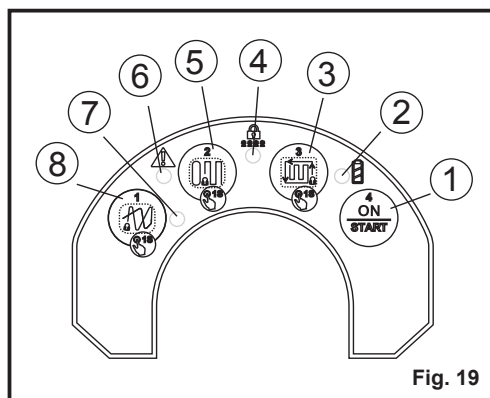


Fig. 19

- ① **START/ON (Security Setting Button 4)**  
Press and hold down the START/ON button for 1 second to power the mower. Select the preferred cut mode (Automatic Parallel Mowing, Partial/Manual Parallel Mowing, or Random Mowing) and press the START/ON button again to start mowing.

- ② **Battery Indicator**

Battery Indicator	Status
Green, Continuous	Sufficient power for mowing/ready for mowing.
Red, Continuous	Recharge required.
Red, Flashing	The temperature of battery pack is abnormal, or the electric core fault.

- ③ **Automatic Parallel Mowing Button (Security Setting Button 3)**  
Press this button for 1 second to select auto-planning parallel mowing mode followed by the START/ON button. The mower will start with a full perimeter cut around the lawn boundary, and then begin parallel cutting automatically.

- ④ **UNLOCK Indicator**

UNLOCK Indicator	Status
Off	The mower hasn't been set with a security code.
Green, Continuous	The mower is unlocked. The mower can be manually operated.
Red, Continuous	The security code is being set.
Red, Flashing	The mower is locked.

⑤ Partial/Manual Parallel Mowing Button (Security Setting Button 2)

Press this button for 1 second to select partial/manual parallel mowing mode followed by the START/ON button. Place the mower on the left hand side of the lawn. It will start mowing in a parallel pattern travelling across the lawn, from left to right. Partial/manual parallel cutting can be used when a perimeter cut might be difficult due to the lawn shape, or when the mower stopped mid-way through cutting the lawn and the cutting session needs to be resumed.

⑥ Error Indicator

Error Indicator	Status
Off	The mower is in normal operation.
Yellow, Continuous	The lift sensor is activated. / The obstruction sensor is activated. / The mower is tilted. / The rear wheels are lifted (slipping) due to an obstacle. / The mower has fallen over. / STOP button is pressed. / The mower cannot see grass.
Red, Continuous	Sensor error. / Motor fault. / Operation system error.

⑦ Ultrasonic Indicator

Ultrasonic Indicator	Status
Green, Continuous	The ultrasonic function is on.
Off	The ultrasonic function is turned off.
Yellow, Flashing	The mower has a communication issue with camera.

⑧ Random Mowing Button (Security Setting Button 1)

Press this button for 1 second to select random mowing mode followed by the START/ON button.

Long press the Random Mowing button to turn off/turn on the ultrasonic function.

## LOCKING THE MOWER WITH A SECURITY CODE

This mower is allowed to be locked with a security code. Once the security code is set, the mower will be locked in the following two situations: 1) the mower is powered off; 2) the mower is in the error state. You are required to enter the correct security code to re-start the mower.

**NOTE: The mower is not set with a security code by default.**

### To set a security code:

1. Press and hold down the Partial/Manual Parallel Mowing Button (Security Setting Button 2) and START/ON button (Security Setting Button 4) simultaneously for 3 seconds. You will hear two beeps and the UNLOCK Indicator is red continuous.
2. Within 10 seconds, enter a four-digit number of your choice with the 1-4 Buttons to use as your personal security code. Press the STOP button to confirm. The UNLOCK Indicator is green flashing.

3. Within 10 seconds, enter the four-digit number of your security code again. Press the STOP button to confirm. The UNLOCK Indicator is green continuous. The security code is set successfully.

**NOTE:** If more than four digits are entered, you will hear five beeps. The mower returns to the no security code state. The UNLOCK Indicator is turned off. Re-start from the first step to set the security code.

**NOTE:** When the control panel is not operated for 10 seconds during the security code setting, the mower will return to the no security code state automatically.

#### To turn off the security code function:

1. Unlock the mower by entering the correct security code and pressing the STOP button to confirm. You will hear two beeps and the UNLOCK Indicator is green continuous.
2. Press and hold down the Partial/Manual Parallel Mowing Button (Security Setting Button 2) and START/ON button (Security Setting Button 4) simultaneously for 3 seconds. The UNLOCK Indicator is turned off. The security code function is turned off successfully.

#### To change the security code:

1. Unlock the mower by entering the correct security code and pressing the STOP button to confirm.
2. Press and hold down the Automatic Parallel Mowing (Security Setting Button 3) and START/ON button (Security Setting Button 4) simultaneously for 3 seconds. You will hear two beeps and the UNLOCK Indicator is red continuous. The mower is ready for changing the security code.
3. Within 10 seconds, enter a new security code. Press the STOP button to confirm. The UNLOCK Indicator is green flashing.
4. Within 10 seconds, enter the new security code again. Press the STOP button to confirm. The UNLOCK Indicator is green continuous. The new security code is set successfully.

**NOTE:** If more than four digits are entered, you will hear five beeps. The mower returns to the locked state. The UNLOCK Indicator is red flashing. Re-start from the first step to change the security code.

## SWITCHING ON/OFF

1. To switch on, press the START/ON button for 1 second. The battery indicator, error indicator, UNLOCK indicator will flash consecutively. The camera system will take approximately 15 seconds to start up.

**NOTE:** Please wait while the mower starts up, attempting to start the mower in this time will cause an error warning and the start-up process will need to be repeated.

2. The mower is ready to mow when the battery indicator and ultrasonic indicator are illuminated green continuously and the mower beeps.
3. To switch off the mower, lift the battery compartment cover and remove the safety key.



## STARTING/STOPPING THE MOWER



## WARNING

Do not allow familiarity with products to make you careless. Remember that a careless fraction of a second is sufficient to inflict serious injury.

---

 **WARNING**

Read the safety instructions carefully before you start your robotic lawn mower.

---

---

 **WARNING**

Keep your hands and feet away from the rotating blades. Never put your hands or feet close to or under the mower when the motor is running.

---

---

 **WARNING**

Never use the robotic lawn mower when people, especially children, or pets, are in the cutting area.

---

1. Make sure the fully charged battery pack and the safety key are installed into the robotic mower properly.
2. Put the robotic lawnmower in the defined mowing area several meters away from the edge of the lawn. The mower should be pointing towards the edge.
3. Unlock the mower if the mower is locked. Enter the correct security code and press the STOP button to confirm. You will hear two beeps and the UNLOCK Indicator is green continuous. The mower is unlocked.
4. Press the START/ON button for 1 second. The battery indicator, error indicator, UNLOCK indicator will flash consecutively. The camera system will take approximately 15 seconds to start up. The mower is ready to mow when the battery indicator and ultrasonic indicator are illuminated green continuously and the mower beeps.
5. Select the desired cutting mode by pressing either the Automatic Parallel Mowing, Partial/Manual Parallel Mowing, or Random Mowing button for 1 second, then press the START/ON Button to start mowing.
6. To stop the mower during operation, press the STOP button.
7. To turn off the mower, lift the battery compartment cover and remove the safety key.



**NOTE:** If the mower is temporarily stopped by pressing the STOP button, to re-start the mower, it is not required to enter the security code.

**NOTE:** If the mower is stuck or has been stopped for more than 20-25 minutes, it will automatically go into Stand By (power off). To turn on the mower again, follow the instructions above.

## CUTTING MODES

### 1. Automatic Parallel Mowing

In this mode, the robotic mower will start with a full perimeter cut around the lawn boundary, and then begin parallel cutting automatically.

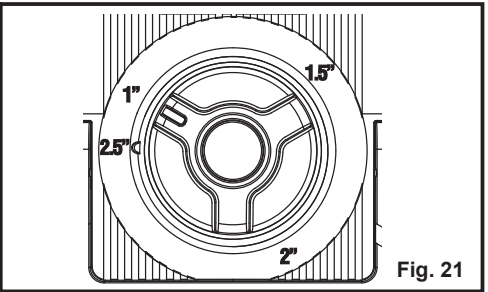
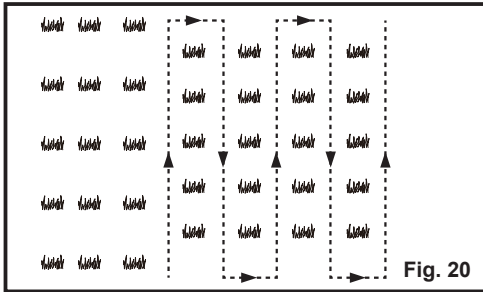
After the robotic mower is powered on, press the Automatic Parallel Mowing Button for 1 second. Then press the START/ON Button. After 5 seconds of continuous running, you will hear beeps to indicate the blades have started to spin.

---

In this mode, the mower will determine the best place to begin parallel mowing based on the size and shape of the lawn. If the lawn is not completed well using Automatic Parallel Mowing mode due to a complex shape, use Partial/Manual Parallel Mowing mode to complete the cut (see below).

## 2. Partial/Manual Parallel Mowing

This is best used to tidy up any areas that may not have been mowed during an Auto mowing session. After the robotic mower is powered on, press the Partial/Manual Parallel Mowing Button for 1 second. Then press the START/ON Button. The mower will start cutting in a parallel pattern from left to right across the lawn (Fig. 20). After the partial/manual parallel mowing is finished, the robotic mower will start to mow in Automatic Parallel mode.



**NOTE:** Partial/manual parallel mowing can be used before Auto mowing to systematically and efficiently cut the main areas of the lawn. By doing this it reduces the amount of Auto mowing time needed to complete the lawn. You also get a better lawn finish.

## 3. Random Mowing

In this mode, the robotic mower will mow the lawn in a random pattern.

After the robotic mower is powered on, press the Random Mowing Button for 1 second. Then press the START/ON Button. After 5 seconds of continuous running, you will hear beeps to indicate the blades have started to spin. Random Mowing mode can be used if the lawn is complex and a complete cut using either of the parallel mowing modes is not possible.

The robotic lawnmower will automatically search for a suitable working area. If the robotic mower does not find grass within 5 seconds, it will change direction and start running again in a new direction. The blades will not spin until the mower can run for continuously for at least 5 seconds.

## SETTING THE CUTTING HEIGHT

### **WARNING**

Do not make any adjustment to the robotic mower without first stopping the motor. Keep your feet away from the blade disc when adjusting its height.

The cutting height of the mower can be adjusted from MIN 1" (25 mm) to MAX 2.5" (65 mm) (Fig. 21).

During the first weeks of mowing, always select the higher cutting height 1.5" (40 mm). After this, the cutting height can be lowered step by step every week until the desired cutting height has been reached.

1. Press the STOP button to stop the robotic mower.
2. Turn the cutting height adjustment knob to set the cutting height.
  - Turn clockwise to raise the cutting height.
  - Turn counter clockwise to lower the cutting height.
3. For the first cut each season, a higher cutting setting should be selected. **USING A CUTTING HEIGHT THAT IS TOO LOW IN LONGER GRASS WILL USE MORE POWER AND REDUCE BATTERY RUN TIME.**
4. Before you begin to mow, check to ensure that the blade is not dull and that none of the fasteners are damaged. To prevent any imbalance, replace dull and/or damaged blades. To carry out this check, first switch off the mower by removing the safety key.

 **WARNING**

Always switch the product off, remove the safety key and the battery pack and let the product cool down before performing inspection, maintenance and cleaning work.

---

 **WARNING**

If a part becomes worn or damaged, use manufacturers recommended replacement parts. Use of any other parts may create a hazard or cause product damage.

---

 **WARNING**

Do not use any attachments or accessories not recommended by the manufacturer of this product. The use of attachments or accessories not recommended can result in serious personal injury.

---

**GENERAL MAINTENANCE**

1. Keep all safety devices and the motor housing free of dirt and dust. Avoid using solvents when cleaning plastic parts. Most plastics are susceptible to damage from various types of commercial solvents and may be damaged by their use. Use clean, dry cloths to remove dirt, dust, oil, grease, etc.
2. Periodically check all nuts and bolts for proper tightness to ensure safe operation of the mower.
3. Remove any buildup of grass and leaves on or around the mower. Wipe the mower clean with a dry cloth occasionally. Do not use water.
4. During operation, if grass or mud accumulates on the wheels, please clean it promptly. Failure to do so may affect the mower's parallel cutting performance.

**REPLACING THE MOWER BLADES**

---

 **WARNING**

Always wear protective, heavy gloves when performing blade maintenance. Failure to heed this warning could result in serious personal injury.

---

 **WARNING**

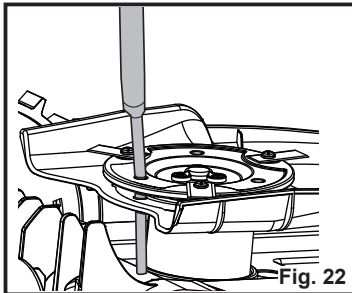
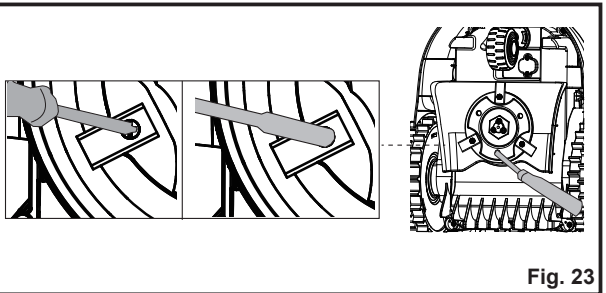
Before performing any maintenance, make sure the safety key and the battery have been removed. Failure to heed this warning could result in serious personal injury.

---

Always check to see if the blades are in good condition. If the blades are blunt, damaged or showing signs of imbalance, they must be replaced. Only use recommended replacement blades. Make certain **ALL** 3 blades and screws are replaced at the same time to keep a balanced cutting system. Replacement blades can be purchased by contacting Customer Service.

## Replacing the Blades:

1. Press the STOP button and allow the blade to come to a complete stop.
2. Lift the battery compartment cover. Remove the safety key and the battery.
3. Slowly turn the mower over. Place it on a soft and clean surface.
4. Use a suitable tool (e.g., a screwdriver) to insert into one of three holes in the blade disc to fix it in place (Fig. 22). This ensures the blade disc is not turning when replacing the blades to avoid personal injury.
5. Wear protective gloves and use a screwdriver or hexagonal socket wrench to remove all three screws and blades (Fig. 23).
6. Secure the new blades with new screws.
7. Make sure all blades can spin freely.

**Fig. 22****Fig. 23**

## CLEANING THE UNDERSIDE THE BLADE

It is recommended to check and clean the underside of the robotic mower regularly.

1. Press the STOP button and allow the blade to come to a complete stop.
2. Lift the battery compartment cover. Remove the safety key and the battery.
3. Slowly turn the mower over. Place it on a soft and clean surface.
4. Use a soft brush or damp cloth to remove dirt, dust, oil, grease, etc. from the underside of the mower.

## CAUTION

Do not wash the mower with running water.

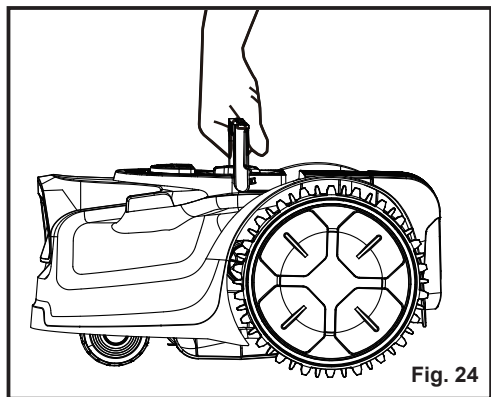
5. Wear safety gloves to clean the blade disc, the chassis, and the front and rear wheels thoroughly with a soft brush or damp cloth. Remove any lodged debris around them.
6. Make sure the blade disc can rotate freely and all blades can spin freely.

## STORING THE MOWER

It is recommended to store the robotic mower indoors between uses.

1. Before storing your mower, remove the safety key and the battery pack.
2. Clean the mower thoroughly.
3. Use the carry handle to carry the mower. Carry the mower with the blade disc away from the body (Fig. 24).
4. Store the mower indoors in a clean, dry place out of the reach of children.

**IMPORTANT:** Protect the underside of mower from standing water. NEVER store the mower upside down outdoors.



## BATTERY PACK MAINTENANCE

1. Fully charge the battery before placing in storage.
2. Recharge the battery pack whenever there is a noticeable reduction in the performance. Do not allow the battery pack to become completely discharged.
3. Do not recharge a battery pack that is already fully charged. Overcharging shortens battery life.
4. Once the battery pack is fully charged, remove the battery from the charger and disconnect charger from the outlet.
5. Do not store the battery pack on the tool or on the charger.
6. If the battery pack is hot, allow it to cool down before recharging.

## CHARGER MAINTENANCE

1. Keep the charger clean and clear of debris. Do not allow foreign material into the recessed cavity or on the contacts. Wipe with a dry cloth. Do not use solvents, water, or place in wet conditions.
2. Always unplug the charger when the battery pack is not installed on the charger.
3. Do not store the charger in excessive heat. Do not use in direct sunlight.
4. Disconnect the charger from the AC power outlet when not in use and once battery has reached a full charge.

## UPDATING THE SOFTWARE

The mower may require periodic software updates to improve functionality. Check our website every few months to see if a new software is available to download. While updating the software, the battery should be in the mower.

**NOTE:** Make sure the USB flash drive works normally and the robotic mower is switched on by pressing the START/ON button for 3 second before updating.

**NOTE:** Make sure the battery indicator is green and the mower has sufficient power for updating the software.

1. Download the robotic mower's latest software from our support website ([www.lawnmaster.com](http://www.lawnmaster.com)) onto a blank USB flash drive device.
2. Stop the mower and remove the safety key.
3. Turn the mower upside-down. Wearing protective gloves, use a screwdriver to remove the two screws holding the USB port cap. Remove the cap to reveal the USB port (Fig. 25).
4. Insert the safety key. Unlock the mower if the mower is locked.
5. Press the START/ON Button for 3 second, and wait for 15 seconds until the robotic mower is powered on completely indicated by a green battery light and beep. Insert the USB flash drive into the USB port, then you will hear four beeps. The software is updating when all three indicators are flashing.
6. After the software update is complete, you will hear continuous beeping and the battery indicator will be green continuous.
7. Remove the USB flash drive. Replace the USB port cap and screw into place. To complete the software update, restart the machine by removing and reinserting the safety key.

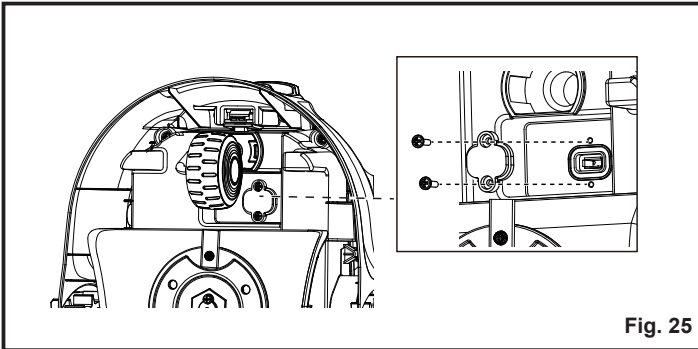


Fig. 25



The following toxic and corrosive materials are in the batteries used in this battery pack:  
**lithium-ion, a toxic material.**

---



## WARNING

All toxic materials must be disposed of in a specific manner to prevent contamination of the environment. Before disposing of damaged or worn-out lithium-ion battery packs, contact your local waste disposal agency, or the local Environmental Protection Agency for information and specific instructions.

---



## WARNING

If the battery pack cracks or breaks, with or without leaks, do not recharge it and do not use it. Dispose of it and replace with a new battery pack.

---

### DO NOT ATTEMPT TO REPAIR IT!

**To avoid injury and risk of fire, explosion, or electric shock, and to avoid damage to the environment:**

- Cover the battery terminals with heavy-duty adhesive tape.
- **DO NOT** attempt to remove or destroy any of the battery pack components.
- **DO NOT** attempt to open the battery pack.
- If a leak develops, the released electrolytes are corrosive and toxic. **DO NOT** get the solution in eyes or on skin, and do not swallow it.
- **DO NOT** place damaged or defective batteries in your regular household trash.
- **DO NOT** incinerate.
- **DO NOT** place batteries where they will become part of any waste landfill or municipal solid waste stream.
- Take batteries to a certified recycling or disposal center.

Suspected malfunctions are often due to causes that the user can fix themselves.

Therefore, check the product using this section. In most cases the problem can be solved quickly.

## **WARNING**

Only perform the steps described within these instructions!

All further inspection, maintenance and repair work must be performed by an authorized service center or a similarly qualified specialist if you cannot solve the problem yourself!

Gloves and appropriate protective clothing must be worn when performing these instructions. Always turn off the mower before making any adjustment.

<b>PROBLEM</b>	<b>POSSIBLE CAUSE</b>	<b>SOLUTION</b>
The robotic lawn mower is stuck during mowing.	Grass or other debris is wrapped around the wheels.	Check wheels and remove the grass or objects.
	Grass or other debris is wrapped around the blade disc.	Check the blade disc and remove the grass or objects (always wear gloves).
	The blade disc is submerged in water.	Move the robotic mower and prevent the collection of water in the working area.
	The robotic mower has got caught in something.	Free the mower and remove the obstacle.
	The robotic mower is stuck behind a number of obstacles.	Check if there are any obstacles which make it hard for the robotic mower to move on from this location. Remove the obstacles.
	The mower is stuck in an uneven dip or hole in the lawn.	Ensure that dips and holes in the lawn are leveled with topsoil and over-seeded with grass seed.
	The lift sensor has been activated as the mower has become trapped.	Free the mower.
Using Automatic Parallel Mowing mode leaves some sections uncut or not completed well.	The lawn is a complex shape.	Use the mower in Partial/Manual Parallel Mowing Mode. Adjust the lawn borders to a more geometric shape with fewer corners.
	There are obstacles in the way.	Remove any non-permanent obstacles such as pots or garden furniture. For fixed obstacles, use Partial/Manual Parallel Mowing mode after the first cut is completed.

# EN TROUBLESHOOTING

PROBLEM	POSSIBLE CAUSE	SOLUTION
The mower does not complete a full perimeter cut.	High grass around edges.	Trim tall grass around edges.
	Obstacles in perimeter.	Remove obstacles.
	Dropped borders around perimeter of lawn.	Level dropped edges or protect with magnetic strip.
The robotic lawn mower fails to start.	The safety key is not installed correctly/fully.	Install the safety key correctly.
	The battery is not installed correctly.	Ensure the battery is correctly installed.
	The battery is not fully charged.	Charge the battery.
	Possible clogging.	Remove the safety key and battery. Check underneath the mower and clear as necessary (always wear gloves).
	The grass is too long.	Set a higher cutting height. If grass length is taller than highest cutting height, trim grass down to a manageable height.
	The battery is defective.	Replace the battery.
	Defective START/ON Button.	Contact Customer Service.
The robotic lawn mower runs outside working area.	Incorrect barriers are used for defining the working area.	Check the borders/barriers for correct setting for defining the working area. Make improvements or temporary barriers if necessary. Refer to the Defining the Mowing Area on page 20-25.
	The ultrasonic sensors are turned off.	Turn on the ultrasonic sensors.
	The working area is steeper than 19°.	Reduce mower access to areas that are steeper than 19°.
The robotic lawn mower is upside down.	The robotic mower is leaning too much or has turned over.	Turn the robotic mower the right way up and rectify the reason for it getting turned over.
Unknown problem with control or function.	Temporary electronic or software related issue in the mower.	Remove and re-insert the safety key. Restart the mower. Download and install the latest software update. If the problem remains, contact Customer Service.

PROBLEM	POSSIBLE CAUSE	SOLUTION
The robotic lawn mower runs on the lawn, but the blade disc does not rotate.	The robotic mower searches for correct working area.	This is normal. The mower needs to work in a suitably wide area. The blade disc does not rotate while it is searching for the proper working area automatically.
The robotic lawn mower vibrates.	Cutting blades are damaged.	Replace the blades. Refer to Replacing the Mower Blade section on page 32-33. Replacement blades can be purchased by contacting Customer Service.
	Too many blades in the same position lead to imbalance in the cutting system.	Check that only one blade is fitted at each screw and that blades are not stuck.
	Different versions (thickness) of blades are used.	Check if the blades are of different versions (thickness).
	The blade screw is loose.	Tighten the blade screws.
Grass is being cut unevenly.	Working area is too big.	Adjust the borders/protections to decrease the size of the mowing area. Recharge the battery to mow the area twice or purchase an additional battery to increase the size of the cut area.
	Blades are dull.	Replace all the blades and screws. Refer to Replacing the Mower Blade section on page 32-33. Replacement blades can be purchased by contacting Customer Service.
	Height of cut is too low, or the grass is too high.	Increase the height of cut.
	There is grass wrapped around the blade disc.	Check underneath the mower and clear as necessary (always wear gloves).

# EN TROUBLESHOOTING

PROBLEM	POSSIBLE CAUSE	SOLUTION
Area of cut (battery duration) is not large enough.	Height of cut is too low, or the grass is too high.	Increase the height of cut.
	The grass is wet or damp.	Wait until the grass is dry.
	The grass is dense.	Increase the height of cut and cut more frequently.
	The battery is not fully charged.	Charge the battery.
	The lawn area is too large.	Recharge the battery and mow again or purchase an additional battery for extended mowing of larger areas.
The cutting blade is not rotating while the mower is switched on.	The cutting blade is obstructed.	Remove the safety key and the battery pack. Clear obstruction (always wear gloves).
	The blade screw is loose.	Tighten the blade screws.
Error indicator is yellow continuous.	The lift sensor is activated for 10 seconds.	Remove and re-insert the safety key. Check the working area for obstacles taller than 3.94" (10 cm) and remove them. Restart the mower.
	The obstruction sensor has tripped 10 times within one minute.	Remove and re-insert the safety key. Remove any obstacles. Check whether the grass is too tall. If necessary, mow the grass to below 2.36" (60 mm) with a conventional lawn mower. Restart the mower.
	The robotic mower has been tilted for a prolonged time in one direction.	Remove and re-insert the safety key. Remove any obstacles. Restart the mower.
	The rear wheels have been lifted due to an obstacle.	
	The mower has fallen over.	
STOP button is pressed.	Remove and re-insert the safety key. Restart the mower.	

<b>PROBLEM</b>	<b>POSSIBLE CAUSE</b>	<b>SOLUTION</b>
Error indicator is yellow continuous.	The robotic mower cannot see grass.	Move the robotic mower to the lawn and restart it.
Error indicator is red continuous.	Sensor error.	Remove and re-insert the safety key. Restart the mower. If the problem remains, contact Customer Service.
	Overcurrent in the motor or motor fault.	Remove and re-insert the safety key. Check for and remove any obstacles around the rear wheels and the blade disc. Increase the cutting height. Check whether the grass is too tall. If necessary, mow the grass to below 2.36" (60 mm) with a conventional lawn mower. Restart the mower. If the problem remains, contact Customer Service.
	Operation system error.	Remove and re-insert the safety key. Restart the mower. If the problem remains, contact Customer Service.
Ultrasonic indicator is yellow flashing.	The mower has a communication issue with camera.	It is too dark for camera to work. Operate the mower during daylight hours only. Remove and re-insert the safety key. Restart the mower.
The battery indicator is red flashing.	The temperature of battery pack is abnormal.	Allow the machine to cool down to reach a normal temperature. Then restart the mower. If the problem remains, contact Customer Service.
	Electric core fault. (The error indicator is red continuous at the same time.)	Remove and re-insert the safety key. Restart the mower. If the problem remains, contact Customer Service.
No charging procedure possible.	The battery contacts are contaminated.	Clean the battery contacts (e.g. by inserting and removing the battery several times) or replace the battery.
	Socket outlet, mains cable or battery charger are defective.	Check the mains voltage. If necessary, contact Customer Service.
	The battery has a fault.	Replace the battery.

# EN TROUBLESHOOTING

PROBLEM	POSSIBLE CAUSE	SOLUTION
The charge control LEDs do not light up after inserting the mains plug into the socket.	Mains plug of the battery charger is not plugged in properly.	Insert mains plug fully into the socket outlet.
	Socket outlet, mains cable or battery charger are defective.	Check the mains voltage and if necessary, contact Customer Service.
	Plug Fuse Blown.	Check and replace fuse in the plug.
All lights flash red during software update.	Software update has failed.	Check that the software file is correctly named. Ensure USB stick contains only the software file and is otherwise blank. Ensure software is not contained in a folder.

For more status of the indicator lights on battery & charger, refer to page 17 & 18.

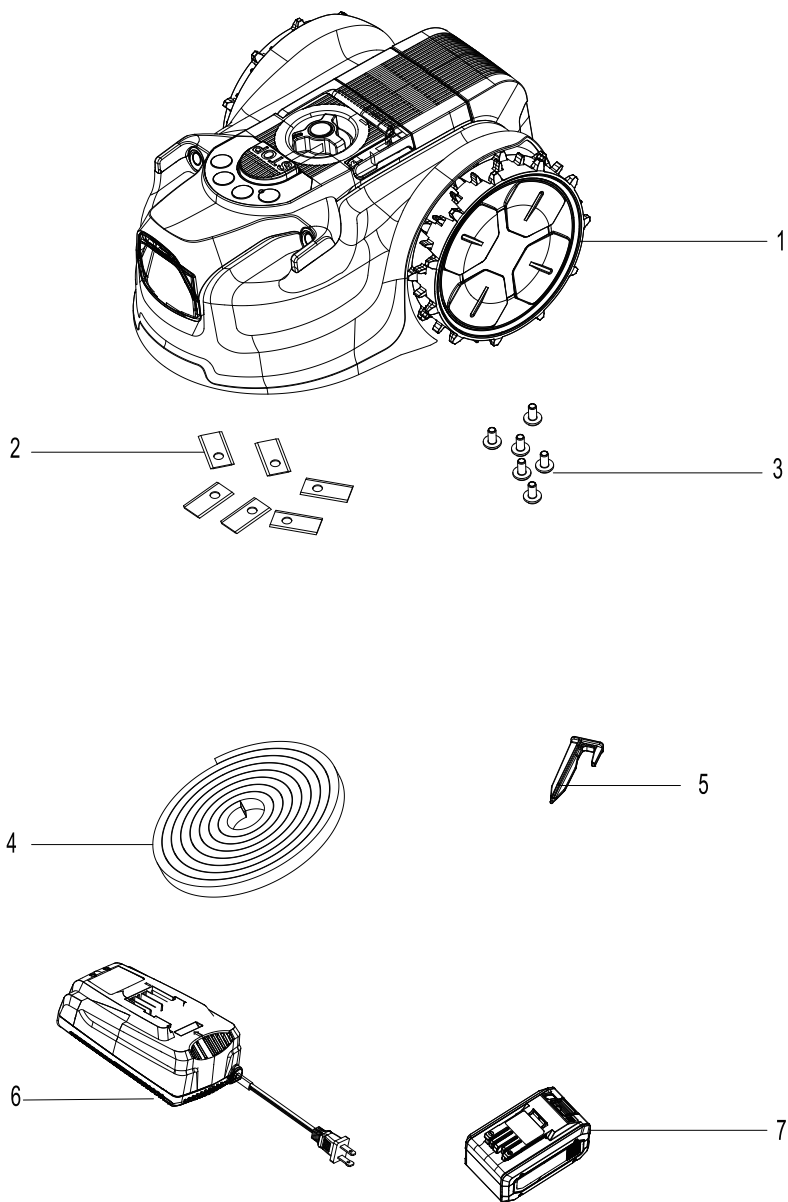
We take pride in producing a high quality, durable product. This LawnMaster® product carries a limited two (2) year warranty against defects in workmanship and materials from date of purchase under normal household use. If product is to be used for commercial, industrial or rental use, a 30 day limited warranty will apply. **Batteries carry a one-year warranty against defects in workmanship and materials.** Batteries must be charged in accordance with the operator's manual directions and regulations in order to be valid. Warranty does not apply to defects due to direct or indirect abuse, negligence, misuse, accidents, repairs or alterations and lack of maintenance. Please keep your receipt/packing list as proof of purchase. This warranty gives you specific legal rights, and you may have other rights, which vary from state to state. For product service call Customer Service at 1-866-384-8432.

Items not covered by warranty :

1. Any part that has become inoperative due to misuse, commercial use, abuse, neglect, accident, improper maintenance, or alteration;
2. The unit, if it has not been operated and/or maintained in accordance with the owner's manual;
3. Normal wear, except as noted below;
4. Routine maintenance items such as lubricants;
5. Normal deterioration of the exterior finish due to use or exposure;

**SAVE YOUR RECEIPTS. THIS WARRANTY IS VOID WITHOUT THEM.**

# EN EXPLODED VIEW



# PARTS LIST

Key Number	Part Number	Description	Quantity
1		Mower Assembly	1
2		Blade	6
3		Screw for Blade	6
4	631013171	Magnetic Strip (16.4 ft / 5 m)	3
5	631010114	Magnetic Strip Peg	30
6	221024107	Charger	1
7	631027109	Battery	1

Replacement parts highlighted in grey are available for after sales purchase. Replacement of repair or internal parts should only be done by a qualified service professional. Please contact your authorized service dealer or Customer Service at 1-866-384-8432.

Blade Assembly Pack of 15 is available, please call 1-866-384-8432 to order.  
Part Number 523830







# ÍNDICE

**ES**

<b>Sección</b>	<b>Página</b>
ÍNDICE	2
ESPECIFICACIONES	3-5
INSTRUCCIONES DE SEGURIDAD IMPORTANTES	6-10
SÍMBOLOS	11-13
FAMILIARÍCESE CON SU PODADORA ROBÓTICA	14-15
MONTAJE	16-17
PAQUETE DE BATERÍAS Y CARGADOR	18-20
OPERACIÓN	21-33
MANTENIMIENTO	34-37
ELIMINACIÓN DE BATERÍAS RESPETUOSA CON EL MEDIO AMBIENTE	38
SOLUCIÓN DE PROBLEMAS	39-45
GARANTÍA DE LAWNMASTER®	46
VISTA EXPLOTADA	47
LISTA DE PIEZAS	48
NOTAS	49-50

# ESPECIFICACIONES

ES

## DIMENSIONES

Largo	43,8 cm (17,24")
Ancho	13,7" (34,8 cm)
Altura	22 cm (8,66")
Peso (Sin la Batería 8.0Ah)	6,5 kg (14,33 lbs)

## PODADORA

Voltaje	24 V D.C.
Velocidad sin carga	3500 RPM
Sistema de podado	3 cuchillas de corte pivotantes
Ancho de corte	6" (15.5 cm)
Ajuste de la altura de podado	1"-2.5" (25-65 mm)
Consumo de energía durante la poda	40 W±20%
Inclinación máxima	19°
Clasificación - IP	IPX4

## PAQUETE DE BATERÍAS

Número de modelo	24LB8006-CN
Voltaje nominal de la batería	24 V Máx. CD.
Capacidad de la batería	8.0 Ah
Tipo de batería	Iones de litio

## CARGADOR DE LA BATERÍA

Número de modelo	24LFC14-ETL
Entrada del cargador	120 V ~ 60 Hz 70 W
Salida del cargador	24 V D.C. 2.5 A
Tiempo de carga	200 minutos (Para 24LB8006-CN)

\* El voltaje máximo inicial de la carga de trabajo de la batería (medido sin carga de trabajo) es de 24 voltios.

El voltaje nominal es de 21.6 voltios.

# ESPECIFICACIONES

ES

## EMISIONES DE RUIDO MEDIDAS EN EL MEDIO AMBIENTE COMO POTENCIA ACÚSTICA

Nivel de potencia acústica ( $L_{WA}$ ) medido	64 dB(A)
Incertidumbres en las emisiones de ruido ( $K_{WA}$ )	3 dB(A)
Nivel de potencia acústica ( $L_{WA}$ ) garantizado	68 dB(A)
Nivel de presión acústica ( $L_{WA}$ ) en el oído del operador	57 dB(A)

Las declaraciones de emisiones de ruido se ajustan a la norma EN 50636- 2-107:2015

Emisiones de ruido en el medio ambiente medidas como potencia acústica ( $L_{WA}$ ) de conformidad con la directiva 2000/14/CE de la CE. El nivel de potencia acústica garantizado incluye la variación en la producción, así como la variación con respecto al código de prueba, de 1 a 3 dB (A).

Incertidumbres sobre el ruido de la presión acústica en kPa, 2-4 dB (A)

## ACERCA DE ESTE PRODUCTO

Gracias por elegir el robot cortacésped LawnMaster® VBRM601YCM AD. Esta cortadora de césped cortará el césped de forma independiente siguiendo un patrón de corte paralelo sin necesidad de utilizar un cable delimitador ni una estación de carga, y solo funcionará durante las horas diurnas. El cortacésped detecta la hierba para saber dónde cortar y también está equipado con sensores ultrasónicos que detectan obstáculos más altos, como arbustos y vallas. Para que funcione correctamente, el césped debe estar delimitado con bordes planos como pavimento o bordes elevados.

El cortacésped utiliza una batería MX 24V desmontable. Está diseñado para ser utilizado una o dos veces por semana durante varias horas, y luego guardado en un garaje o cobertizo hasta que se necesite de nuevo. Podará aproximadamente 250 m<sup>2</sup> con una sola carga, dependiendo de las condiciones del césped. La hierba excesivamente larga o húmeda puede afectar al rendimiento, por lo que es importante mantener un programa de corte regular para controlar el crecimiento y el desarrollo de un césped limpio.

# ESPECIFICACIONES

---

ES

## PRIMERA OPERACIÓN

El VBRM601YCM AD está diseñado para detectar el césped y desplazarse a las zonas que identifique como césped. Si no puede ver un límite claro, continuará moviéndose hacia zonas fuera del césped y hacia plantas que pueda identificar como césped. Recortar el borde del césped con un cortabordes antes de usarlo ayudará a definir mejor el borde del césped. Durante la primera operación en un césped nuevo, es importante vigilar al robot mientras detecta los bordes para ver dónde es necesario mejorar la definición de los límites. Por favor, lea las instrucciones en su totalidad; nuestras instrucciones se han escrito para ayudarle a obtener los mejores resultados y también proporciona ideas útiles para los límites temporales, así como ejemplos de cómo definir un mejor borde del césped en todas las estaciones.

**PARA SU SEGURIDAD: LEA ATENTAMENTE Y COMPRENDA TODAS LAS INSTRUCCIONES.**

## ¡IMPORTANTE!

### LEA CUIDADOSAMENTE ANTES DE USAR. GUARDE ESTE MANUAL PARA FUTURAS REFERENCIAS ENTRENAMIENTO

- Lea las instrucciones cuidadosamente. Familiarícese con los controles y el uso correcto de la máquina.
- Nunca permita que personas que no estén familiarizadas con estas instrucciones o niños utilicen la máquina. Las regulaciones locales pueden restringir la edad del operador.
- El operador o usuario es responsable de los accidentes o peligros que afecten a otras personas o a sus propiedades.
- El operador o usuario es responsable de informar a los vecinos sobre los riesgos. Manténgase a una distancia segura de la máquina durante el funcionamiento.
- Si su césped está abierto a la calle y/o a sus vecinos, debe estar presente durante la operación de la podadora para evitar que otras personas accedan a su césped. Alternativamente, debe proteger/ cercar su césped para que otras personas no accedan a la podadora durante la operación.
- Esta podadora no debe ser utilizada por personas (incluidos niños) con capacidades físicas, sensoriales o mentales reducidas, o falta de experiencia y conocimiento, a menos que una persona responsable de su seguridad les haya supervisado o instruido sobre el uso del aparato. Los niños deben ser supervisados para asegurar que no jueguen con este aparato.



## ADVERTENCIA

La podadora robotica puede ser peligrosa si se usa incorrectamente.



## ADVERTENCIA

Nunca utilice la podadora robótica cuando haya personas, especialmente niños o mascotas, en la zona de corte.

## PREPARACIÓN

- Asegúrese de que el área de césped esté definida como se describe en la sección Preparación del Área de Corte y Definición del Área de Corte.
- Inspeccione periódicamente el área donde se va a usar la máquina y retire todas las piedras, palos, alambres, juguetes para mascotas y otros objetos extraños.
- Inspeccione visualmente periódicamente para comprobar que las cuchillas, los pernos de las cuchillas y el conjunto de corte no estén desgastados ni dañados. Reemplace las cuchillas y los pernos desgastados o dañados en los conjuntos para mantener el equilibrio.
- En máquinas de varios ejes, tenga cuidado, ya que girar una cuchilla puede hacer que otras cuchillas giren.

## OPERACIÓN

- No deje que la máquina funcione sin supervisión si sabe que hay mascotas, niños o personas en

# INSTRUCCIONES DE SEGURIDAD IMPORTANTES

ES

las cercanías.

- Nunca opere la máquina con protectores defectuosos o sin dispositivos de seguridad, por ejemplo deflectores colocados.
- No coloque las manos o los pies cerca o debajo de las piezas giratorias. No toque las piezas peligrosas en movimiento antes de que se hayan detenido por completo.
- Nunca levante ni transporte una máquina mientras el motor esté en marcha.
- Siempre retire la llave de seguridad y la batería:
  - Antes de eliminar una obstrucción;
  - y antes de revisar, limpiar o trabajar en la máquina.
- No está permitido modificar el diseño original de la podadora. Todas las modificaciones se realizan bajo su propio riesgo.
- Evite utilizar la podadora y sus periféricos en condiciones meteorológicas adversas, especialmente cuando existe el riesgo de que se produzca un rayo.
- No utilice la podadora para ningún otro propósito que no sea cortar el césped.
- En caso de accidente o avería mientras la podadora está en funcionamiento, pulse inmediatamente el botón STOP.
- No coloque objetos encima de la podadora. Nunca permita que personas o animales se sienten en la podadora.
- No utilice la podadora si el interruptor de encendido/apagado no funciona.
- No utilice la podadora cuando el sistema de rociadores esté funcionando. Asegúrese de que la podadora y el sistema de rociadores no funcionen al mismo tiempo. No lave la podadora con agua corriente y no la sumerja en agua. Este producto no es resistente al agua.
- Apague siempre la podadora quitando la llave de seguridad cuando la podadora no esté en uso.
- La podadora robótica nunca debe almacenarse, operarse o cargarse a temperaturas inferiores a 32 °F (0 °C) o superiores a 122 °F (50 °C). Esto podría dañar el producto o la batería.
- Puede solo a la luz del día o con buena luz artificial. La podadora requiere buena iluminación para identificar correctamente el área de césped.
- Evite utilizar la máquina en césped muy largo o mojado.
- No utilice nunca la máquina en entornos explosivos o inflamables.
- No opere la máquina con los pies descalzos o con sandalias abiertas. Use siempre calzado grueso y pantalones largos.
- Asegúrese siempre de mantener el equilibrio en las pendientes.
- Encienda siempre el motor según las instrucciones, manteniendo los pies alejados de la (s) cuchilla (s).
- Se colocarán señales de advertencia alrededor del área de trabajo de la podadora robótica si se usa en áreas públicas. Los letreros deberán tener el texto siguiente: ¡Advertencia! ¡Podadora automática! ¡Mantengase alejado de la máquina! ¡Supervise a los niños!

## MANTENIMIENTO Y ALMACENAMIENTO

- Mantenga todas las tuercas, pernos y tornillos apretados para asegurarse de que la máquina esté en condiciones de funcionamiento seguras.
- Sustituya las piezas desgastadas o dañadas por motivos de seguridad.
- Utilice únicamente cuchillas de repuesto recomendadas por el fabricante.
- En caso de contacto con electrolitos debido a una fuga de la batería, enjuague la zona afectada con agua o agente neutralizante durante varios minutos. Busque atención médica si lo ingiere, si entra en contacto con los ojos o si persiste la irritación de la piel.
- El mantenimiento de la máquina debe realizarse de acuerdo con las instrucciones del fabricante.

# INSTRUCCIONES DE SEGURIDAD IMPORTANTES

ES

- En caso de vibraciones anormales, detenga la podadora, retire la llave de seguridad y la batería y compruebe si la cuchilla está dañada. Reemplace las cuchillas y los pernos desgastados o dañados en los conjuntos para preservar el equilibrio. Si la vibración continúa, póngase en contacto con el Servicio de Atención al Cliente.
- Use guantes gruesos cuando inspeccione o repare las cuchillas.
- La limpieza y el mantenimiento del aparato no deben ser realizados por niños sin supervisión.
- No utilice la podadora cuando la cuchilla de corte está dañada. Reemplace la cuchilla de corte.
- Utilice únicamente equipos y accesorios originales. No está permitido modificar el diseño original de la podadora. Todas las modificaciones se realizan bajo su propio riesgo.
- Retire siempre la batería antes de guardar la podadora.

## TRANSPORTACIÓN

Dentro del área de trabajo:

- Presione el botón STOP (PARADA) para detener la podadora y extraiga la llave de seguridad. Usa ambas manos para llevar la podadora en las secciones delantera y trasera debajo de la podadora. Como alternativa, puede transportar la podadora usando la manija de transporte que se encuentra en la parte superior de la plataforma de podadora. Cargue la podadora con el disco de la cuchilla alejado del cuerpo.

Largas distancias:

- Cuando transporte su podadora a largas distancias, pulse el botón STOP y extraiga la llave de seguridad y la batería.
- ¡IMPORTANTE! Se recomienda conservar el empaque original para evitar daños durante el transporte en largas distancias.

## PAQUETE DE BATERÍAS

- sta batería sólo es compatible con los cargadores LawnMaster® 24LFC14-ETL, 24LFC02-ETL o 24LSC01-ETL.
- Recárguela únicamente con el cargador especificado por el fabricante y que aparece en este manual. Un cargador que sea adecuado para un tipo de paquete de baterías puede crear un riesgo de incendio si se usa con otro paquete de baterías.
- No cargue la batería en un lugar húmedo o mojado. Seguir esta regla reducirá el riesgo de descarga eléctrica.
- No coloque la podadora alimentada por baterías ni sus baterías cerca del fuego o del calor. Esto reducirá el riesgo de explosión y, posiblemente, de lesiones.
- No abra ni mutile la batería. El electrolito liberado es corrosivo y puede dañar los ojos o la piel. Puede ser tóxico si se ingiere. Es posible que se emitan humos. En tales situaciones, muévase a un área bien ventilada, preferiblemente al aire libre, y busque asistencia médica en caso de molestias.
- No arroje los paquetes de baterías al fuego. Explorarán o gotearán y causarán lesiones. El líquido expulsado de la batería puede provocar irritación o quemaduras.
- No aplaste, deje caer ni dañe la batería. No utilice un paquete de baterías o un cargador que se haya caído o que haya recibido un golpe fuerte. Una batería dañada puede explotar. Deseche adecuadamente de inmediato una batería que se haya caído o esté dañada.
- Las baterías pueden explotar en presencia de una fuente de ignición, como una luz de piloto de gas o eléctrica. Para reducir el riesgo de lesiones personales, nunca utilice ningún producto inalámbrico en presencia de llamas abiertas. La explosión de una batería puede propulsar residuos y productos químicos. Si queda expuesto, lávelo con agua inmediatamente.

# INSTRUCCIONES DE SEGURIDAD IMPORTANTES

ES

- En condiciones extremas de uso o temperatura, puede producirse una fuga en la batería. Si el líquido entra en contacto con la piel, lávese inmediatamente con agua y jabón. Si le entra líquido en los ojos, lávelos con agua limpia durante al menos 10 minutos y, a continuación, busque de inmediato atención médica. Seguir esta regla reducirá el riesgo de serias lesiones personales.
- Cuando el paquete de baterías no esté en uso, manténgalo alejado de otros objetos metálicos, como sujetapapeles, monedas, llaves, clavos, tornillos u otros objetos metálicos pequeños que puedan conectar un terminal a otro. Si se produce un cortocircuito entre los terminales de la batería, se pueden producir quemaduras o un incendio.
- No exponga un paquete de baterías o una podadora al fuego ni a temperaturas excesivas. La exposición al fuego o a temperaturas superiores a 265 °F (130 °C) puede provocar una explosión.
- No modifique ni intente reparar la podadora excepto si es como se indica en las instrucciones de uso y cuidado.
- Siga todas las instrucciones de carga y no cargue el paquete de baterías o la podadora fuera del rango de temperatura especificado en las instrucciones. Cargar incorrectamente o a temperaturas fuera de este rango puede dañar las baterías y aumentar el riesgo de incendio.
- Todos los servicios a la máquina deben ser realizados por un técnico calificado en la reparación que utilice únicamente piezas de repuesto idénticas. Esto garantizará que se mantenga la seguridad del producto.

## CARGADOR DE LA BATERÍA

- Este cargador sólo es compatible con las baterías de iones de litio LawnMaster® 24LB8006-CN, 24LB4005-C, 24LB1304, 24LB2004, 24LB2605 o 24LB4005.
- Para reducir el riesgo de lesiones, cargue únicamente las baterías recargables de iones de litio especificadas. Otros tipos de baterías pueden reventar y provocar lesiones o daños personales.
- Mantenga el cable y el cargador alejados del calor para evitar dañar la carcasa o las piezas internas.
- No utilice el cargador si el cable o el enchufe están dañados, ya que podrían producirse cortocircuitos y descargas eléctricas. Si está dañado, deje de usarlo inmediatamente. Sustituya el cargador por una unidad idéntica a la que aparece en la lista de piezas de este manual.
- No utilice un cargador que se haya caído o que haya recibido un golpe fuerte.
- No desensamble el cargador. Llévelo a un centro de servicio calificado para que la revisen o la sustituyan. Un reensamble incorrecto puede provocar un riesgo de descarga eléctrica o incendio.
- No abuse del cable del cargador. No utilice nunca el cable para transportar, tirar.
- Mantenga el cable alejado de fuentes de calor, aceite, bordes afilados o partes móviles. Los cables dañados o enredados aumentan el riesgo de descarga eléctrica. Si el cable del cargador está dañado, sustituya el cargador por un modelo idéntico al que se indica en este manual.
- Un cargador que sea adecuado para un tipo de paquete de baterías puede crear un riesgo de incendio si se usa con otro paquete de baterías.
- Cargue la batería a la temperatura de carga normal, entre 40 °F (4 °C) y 100 °F (38 °C).

## FIN DE LA VIDA ÚTIL DEL PRODUCTO

- La podadora y sus accesorios deben reciclarse correctamente al final de su vida útil para evitar que los equipos eléctricos y electrónicos de desecho acaben en vertederos, y para proteger y mejorar la calidad del medio ambiente.
- No deseche la podadora ni ninguna de sus partes como basura municipal sin clasificar; deben recolectarse por separado.

# INSTRUCCIONES DE SEGURIDAD IMPORTANTES

ES

- No arroje el paquete de baterías al fuego ni arroje las baterías usadas a la basura doméstica.
- Deseche las baterías de acuerdo con las regulaciones locales, donde se reciclarán de manera respetuosa con el medio ambiente.

## CUMPLIMIENTO DE LA FCC

- Este dispositivo cumple con la Parte 15 de las normas de la FCC. La operación está sujeta a las dos condiciones siguientes:
  - Este dispositivo no puede causar interferencias perjudiciales, y
  - Este dispositivo debe aceptar cualquier interferencia recibida, incluidas las que puedan causar un funcionamiento no deseado.
- **NOTA:** Este equipo ha sido probado y se ha determinado que cumple los límites establecidos para un dispositivo digital de Clase B, de acuerdo con la parte 15 de las normas de la FCC. Estos límites están diseñados para proporcionar una protección razonable contra interferencias perjudiciales en una instalación residencial.
- Este equipo genera, utiliza y puede irradiar energía de radiofrecuencia y, si no se instala y utiliza de acuerdo con las instrucciones, puede causar interferencias perjudiciales en las comunicaciones por radio. Sin embargo, no hay garantía de que no habrá interferencias en una instalación concreta. Si este equipo causa interferencias perjudiciales en la recepción de radio o televisión, lo que puede determinarse apagando y encendiendo el equipo, se recomienda al usuario que intente corregir las interferencias con una o varias de las siguientes medidas:
  - Reoriente o reubique la antena receptora.
  - Aumente la separación entre el equipo y el receptor.
  - Conecte el equipo a una toma de corriente de un circuito distinto al que está conectado el receptor.
  - Consulte al distribuidor o a un técnico experto en radio/TV para obtener ayuda.



## GUARDE ESTAS INSTRUCCIONES

Consúltelos con frecuencia y úselos para instruir a otras personas que puedan usar este producto. Si le presta este producto a alguien, prestele también estas instrucciones.

# SÍMBOLOS


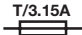






ES

Es posible que se utilicen algunos de los siguientes símbolos en este producto. Por favor, estúdielos y aprenda su significado. La interpretación adecuada de estos símbolos le permitirá operar el producto mejor y más seguro.

SÍMBOLO	DESIGNACIÓN/EXPLICACIÓN
	ADVERTENCIA: La podadora robótica puede ser peligrosa si se usa incorrectamente.
	Lea el manual de instrucciones antes de utilizar la máquina.
	Mantenga alejados a los transeúntes.
	Quite la llave de seguridad antes de trabajar en la máquina o de levantarla.
	Accione la llave de seguridad antes de trabajar en la máquina o de levantarla.
	No monte sobre la máquina.
	Espere hasta que todas las piezas móviles se hayan detenido por completo antes de tocarlas. La cuchilla puede seguir girando después de apagar la máquina, y una cuchilla giratoria puede causar lesiones.
	No lave ni sumerja la máquina en agua.
	¡ADVERTENCIA! Tenga cuidado con las descargas eléctricas.
	Clase de protección II (doble aislamiento)
	Máquinas de clase III.

# SÍMBOLOS

ES

SÍMBOLO	DESIGNACIÓN/EXPLICACIÓN
	Solo recargue los paquetes de baterías con el cargador suministrado en interiores.
	Seguro
	Los aparatos eléctricos no deben desecharse con la basura doméstica.
	Las baterías contienen iones de litio. No deseche las baterías en la basura doméstica.
	No deseche los paquetes de baterías en los ríos ni las sumerja en agua
	No deseche los paquetes de baterías para que exploten o tengan fugas y puedan causar lesiones.
	No exponga el paquete de baterías al fuego ni a temperaturas que excedan los 140°F (60°C).
	Recicle los productos de desecho eléctricos de una manera ambientalmente segura donde existan instalaciones adecuadas.

# SÍMBOLOS

ES

Las siguientes palabras indicativas y significados pretenden explicar los niveles de riesgo asociados con este producto.

SÍMBOLO	SEÑAL	SIGNIFICADO
	<b>PELIGRO</b>	Indica una situación de peligro inminente que, si no se evita, provocará la muerte o lesiones graves.
	<b>ADVERTENCIA</b>	Indica una situación potencialmente peligrosa que, si no se evita, podría provocar la muerte o lesiones graves.
	<b>PRECAUCIÓN</b>	Indica una situación potencialmente peligrosa que, si no se evita, podría provocar la muerte o lesiones graves.
	<b>AVISO</b>	(Sin símbolo de alerta de seguridad) Indica una situación que puede provocar daños a la propiedad.

## SERVICIO

El mantenimiento requiere un cuidado y un conocimiento extremos y solo debe ser realizado por un técnico de servicio calificado. Al realizar el mantenimiento, utilice únicamente piezas de repuesto idénticas.

Para solucionar problemas o realizar un reemplazo, llama al Servicio de atención al cliente para obtener ayuda (número gratuito 1-866-384-8432).



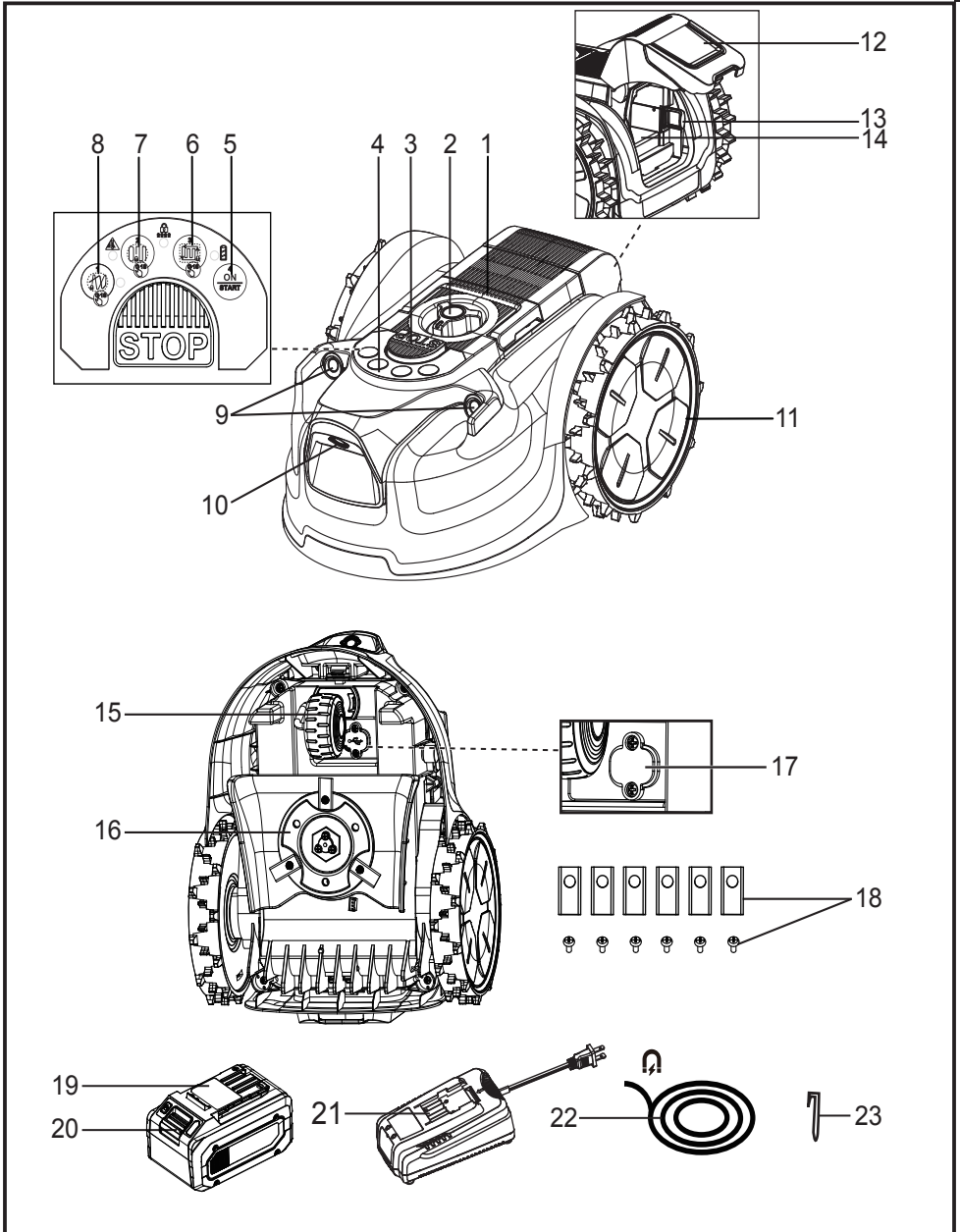
## ADVERTENCIA

Para evitar lesiones personales graves, no intente utilizar este producto hasta que haya leído detenidamente y comprendido completamente el Manual del Operador.

No utilice este producto si no comprende las advertencias e instrucciones del Manual del Operador. Llame al Servicio de Atención al Cliente para obtener ayuda (número gratuito 1-866-384-8432).

# FAMILIARÍCESE CON SU PODADORA ROBÓTICA

ES



# FAMILIARÍCESE CON SU PODADORA ROBÓTICA

ES

## Componentes

- |   |  |                                       |
|---|--|---------------------------------------|
| 1. Asa de transporte                      | 10. Cámara de detección de césped                | 19. Batería                           |
| 2. Pomo de ajuste de la altura de corte   | 11. Rueda trasera                                | 20. Botón de liberación de la batería |
| 3. Botón STOP                             | 12. Tapa del compartimento de la batería         | 21. Cargador de batería               |
| 4. Panel de control                       | 13. Llave de seguridad                           | 22. Banda magnética (5m, X3)          |
| 5. Botón START/ON                         | 14. Compartimento de la batería                  | 23. Tira magnética (X30)              |
| 6. Botón de siega paralela automática     | 15. Rueda delantera                              |                                       |
| 7. Botón de corte paralelo parcial/manual | 16. Disco de corte                               |                                       |
| 8. Botón de corte aleatorio               | 17. Puerto USB (cubierto por una tapa de resina) |                                       |
| 9. Sensores ultrasónicos de objetos       | 18. Cuchilla de repuesto y tornillo (X6)         |                                       |

## CONOZCA SU ROBOT CORTACÉSPED

El uso seguro de este producto requiere la comprensión de la información que aparece en el producto y en este Manual del operador, así como el conocimiento del proyecto que está intentando utilizar. Antes de utilizar este producto, familiarícese con todas las características de funcionamiento y las normas de seguridad.

## DESEMPACADO

Este producto se ha enviado completamente ensamblado.

- Saque con cuidado el producto y los accesorios de la caja. Asegúrese de que están incluidos todos los artículos que Figuran en la lista de embalaje.
- Inspeccione cuidadosamente el producto para asegurarse de que no se ha roto ni dañado durante el transporte.
- No deseche el material de embalaje hasta que haya inspeccionado cuidadosamente el producto y lo haya utilizado satisfactoriamente.
- Si alguna pieza está dañada o falta, no utilice el producto. Llame al servicio de atención al cliente (número gratuito 1-866-384-8432).

---

## ADVERTENCIA

No utilice este producto si alguna de las piezas de la lista de embalaje ya está montada en el producto al desembalarlo. Las piezas de la lista de embalaje no están montadas en el producto y deben ser instaladas por el usuario. El uso de un producto que puede haber sido ensamblado incorrectamente podría resultar en lesiones personales graves.

Asegúrese de que la llave de seguridad no está colocada antes de instalar la batería.

---

## LISTA DE EMBALAJES

- (1) Robot cortacésped
- (1) Llave de seguridad (colocada dentro del compartimento de la batería del cortacésped)
- (3) Banda magnética (5 m / 16,4 pies)
- (30) Tira magnética
- (9) Cuchillas y tornillos (3 preinstalados en el disco de la cuchilla)
- (1) Batería de iones de litio de 24 V Max\* y 8,0 Ah
- (1) Cargador de batería de 24 V Max
- (1) Manual del operador

## INSTALACIÓN/EXTRACCIÓN DE LA BATERÍA

---

## ADVERTENCIA

¡IMPORTANTE! La batería no está cargada en el momento de la compra. Antes de utilizar el cortacésped, lea todas las precauciones de seguridad y siga las instrucciones de la sección Pack de baterías y cargador. Con el uso regular, necesitará menos tiempo de carga. En caso de almacenamiento prolongado, retire la batería. Cuando vaya a utilizarlo de nuevo, cargue la batería.

---

# ENSAMBLADO

ES

## Para instalar la batería:

1. Levante la tapa del compartimento de las pilas.
2. Alinee los raíles de soporte situados dentro del compartimento de la batería con las guías de la batería y, a continuación, introduzca la batería en el compartimento (Fig. 1).
3. Empuje la batería hasta que oiga un "clic".
4. Introduzca la llave de seguridad en los orificios situados cerca del compartimento de las pilas (Fig. 2).

**NOTA:** La llave de seguridad sólo encaja en los orificios de la cerradura en una dirección. No la fuerce.

5. Cierre la tapa del compartimento de las pilas.

**NOTA:** Asegúrese de que el paquete de baterías encaja firmemente en su sitio y está fijado al cortacésped antes de ponerlo en funcionamiento.

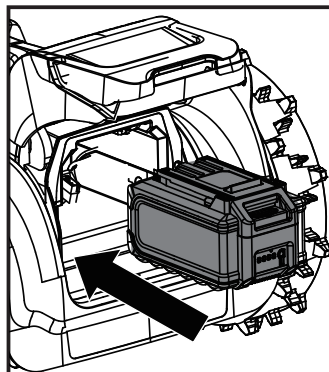


Fig. 1

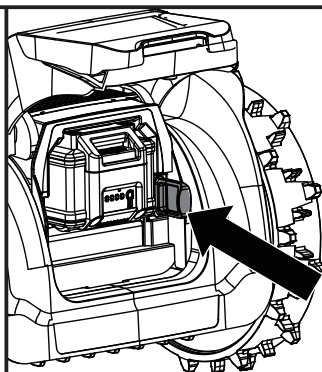


Fig. 2

## Para extraer la batería:

1. Detenga el cortacésped. Levante la tapa del compartimento de la batería y retire la llave de seguridad.
2. Mantenga pulsado el botón de liberación de la batería (1), sujete firmemente la batería y extráigala (2) del compartimento de la batería (Fig. 3).
3. Cierre la tapa del compartimento de las pilas.

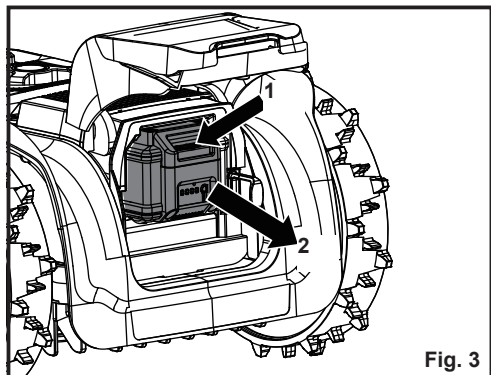


Fig. 3

# PAQUETE DE BATERÍAS Y CARGADOR

ES




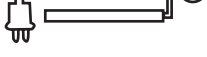



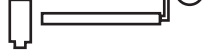
## CARGA DE LA BATERÍA

1. Utilícelo sólo con cargadores de batería LawnMaster® de 24 V. El cargador de baterías suministrado está diseñado específicamente para la batería de iones de litio utilizada en este aparato para jardín.
2. Compruebe la tensión de alimentación. Los cargadores de baterías funcionan a 120 V.
3. La batería se carga entre 40°F (4°C) y 100°F (38°C). Esto garantiza una vida útil óptima de la batería.
4. Proteja la batería del calor, de la exposición continua al sol y manténgala alejada de radiaciones u otras fuentes de calor. No deje la batería del cortacésped expuesta a la luz solar directa durante largos periodos de tiempo.
5. La batería se suministra parcialmente cargada. Para garantizar la plena capacidad de la batería, cárguela antes de utilizar el aparato por primera vez. La batería de iones de litio puede cargarse en cualquier momento sin reducir su vida útil. La interrupción del proceso de carga no afecta a la batería.

## LED DE ESTADO DEL CARGADOR

1. Si la batería no está insertada en el cargador, **una luz LED roja continua** indica que el cargador está enchufado a una toma de corriente y que ya está listo para iniciar la carga.
2. Carga: **Un LED verde parpadeante** en el cargador indica que la batería se está cargando normalmente.
3. Cargada: **El LED verde continuo** del cargador indica que la batería está lista para su uso.

Los indicadores luminosos del cargador muestran el estado del mismo:

Símbolo	Indicadores luminosos	Estado
		Rojo, intermitente
		Rojo, continuo
		Verde, intermitente
		Verde, continuo

4. El cargador inteligente garantiza la máxima duración de la batería, ya que mide el nivel de carga existente de la batería y, a continuación, carga con la corriente y el voltaje necesarios. Cargue la batería por completo antes de guardarla.
5. **Problema técnico: Una luz LED roja parpadeante** en el cargador indica que el pack de baterías tiene un problema de carga o podría estar defectuoso.

# PAQUETE DE BATERÍAS Y CARGADOR

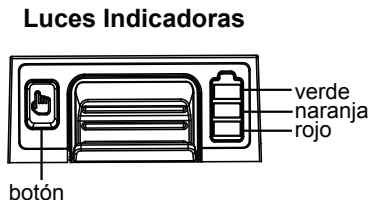
ES

- Una condición posible es que la temperatura de la batería no esté dentro del rango de temperatura de carga de 40°F (4°C) y 104°F (40°C). Tan pronto como se alcance la temperatura permitida, el cargador de batería cambiará automáticamente a carga.
  - Si el rango de temperatura es correcto y la luz LED roja intermitente continúa, retire y vuelva a instalar la batería. Si el estado del LED se repite por segunda vez, intente cargar otra batería idéntica. Si la batería se carga con normalidad, deseche el paquete de baterías defectuoso (consulte la sección Eliminación segura de la batería desde el punto de vista medioambiental).
  - Si la luz roja intermitente continúa después de instalar la segunda batería (asegúrese de que la temperatura de la batería es normal), el cargador puede estar defectuoso. Sustitúyalo por uno nuevo.
6. Después de ciclos de carga continuos o repetidos sin interrupción, el cargador puede calentarse. Esto es normal y no indica un defecto técnico del cargador de baterías.

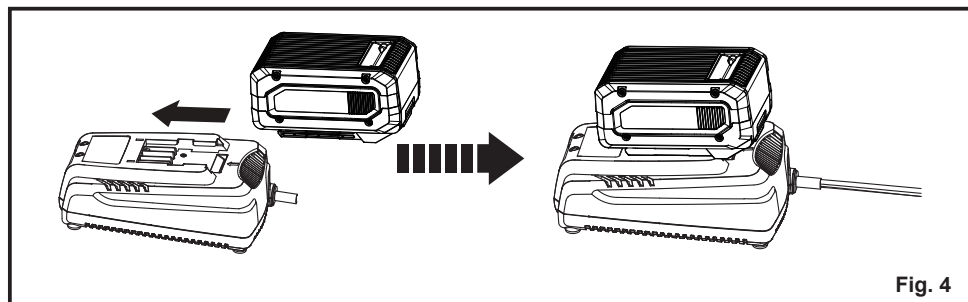
## PANEL LED BATERÍA

- El panel consta de 3 LEDs en la batería. Mantenga pulsado el botón y luego suéltelo, los LED le mostrarán los niveles de carga.
- El nivel de carga de la batería puede comprobarse tanto cuando la batería está conectada al cargador/cortacésped como cuando está desconectada del cargador/cortacésped.

LEDs en batería (iluminación continua)	Capacidad de la batería
3 LED	Totalmente cargado
2 LED (naranja y rojo)	≥40 %
1 LED (sólo rojo)	<40 % (requiere recarga).



## CARGAR LA BATERÍA





## ADVERTENCIA

Si alguna pieza del cargador falta o está dañada, no lo utilice! Sustituya el cargador por uno nuevo. La inobservancia de esta advertencia puede provocar lesiones graves.

Compruebe la tensión. La tensión debe coincidir con la indicada en la etiqueta de características.

---

1. Alinee la ranura de la batería con el carril del cargador. Deslice la batería por el carril hasta que quede fija en su sitio (Fig. 4).
2. Conecta el cargador a la red eléctrica.
3. Deje transcurrir un tiempo de carga suficiente (consulte las especificaciones) y, a continuación, desconecte el cargador de la fuente de alimentación.
4. Pulse el botón de liberación de la batería y extraígalas del cargador.

**NOTA:** Es normal que la batería y el cargador se calienten (pero no se calienten) durante el proceso de carga. Si la batería no se carga correctamente, compruebe que la toma de corriente está operativa. Cargue siempre la batería antes de guardarla.

# OPERACIÓN

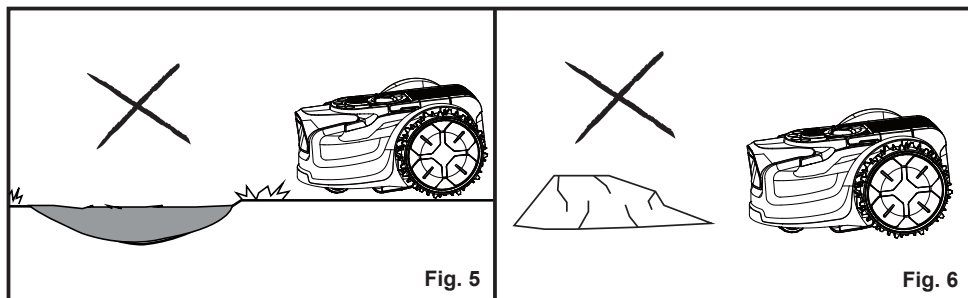
ES

## PREPARACIÓN DE LA ZONA DE SIEGA

### Superficie de césped

1. La superficie del césped debe ser lo más uniforme posible. Los parches desnudos y las hojas pueden perturbar el funcionamiento del cortacésped. Limpie las hojas a intervalos regulares y repare las zonas muertas con semillas de césped.
2. Inspecciona el césped en busca de agujeros o huecos. Rellénelos con tierra vegetal para evitar que el agua de lluvia forme charcos en el césped y que el cortacésped se atasque. El cortacésped puede resultar dañado si se hace funcionar en charcos de agua (Fig. 5).
3. Si hay piedras en el césped que puedan dañar el cortacésped, deben retirarse o excluirse de la zona de trabajo (Fig. 6).

**NOTA:** Este cortacésped no está diseñado para cortar zonas excesivamente largas o descuidadas. Para obtener el mejor rendimiento, corte o recorte la hierba a 60 mm (2,36") antes de utilizarlo. No deje que la hierba crezca excesivamente entre usos.



## DELIMITACIÓN DE LA ZONA DE SIEGA

Los bordes del césped deben estar claramente definidos por bordes planos o barreras elevadas para que este cortacésped funcione correctamente.

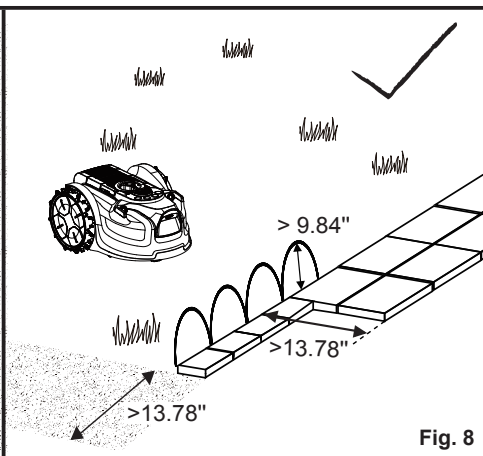
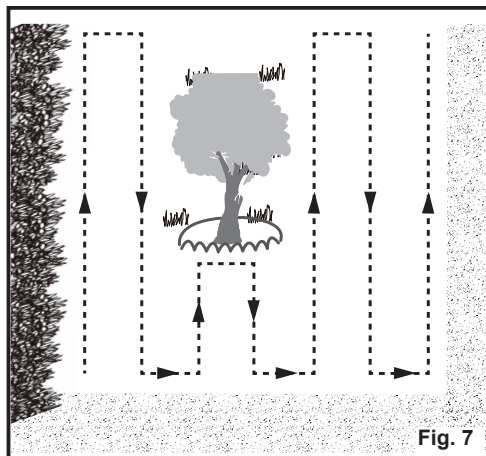
1. Los límites visuales deben tener un aspecto diferente del césped, por lo que los cambios de color y textura son muy eficaces.
2. Los límites físicos ayudan a detener el cortacésped cuando no es posible establecer un límite visual.
3. Se pueden utilizar límites físicos temporales mientras se mejora la definición de los límites del césped.
4. El cortacésped funcionará mejor en céspedes con formas geométricas simples. Las condiciones complejas del césped pueden hacer que el cortacésped deje algunas secciones sin cortar o que no termine bien el trabajo en el modo de corte paralelo automático. En tales casos, utilice el modo de corte paralelo parcial/manual para completar el corte.
5. Antes de utilizar el modo de corte paralelo automático, retire los obstáculos excesivos del césped. Si no se pueden retirar, se recomienda utilizar el modo de corte aleatorio.
6. Cuando el césped tenga mucha hierba amarilla/marrón (por ejemplo, en otoño) o zonas irregulares, se recomienda utilizar el modo de corte aleatorio.

El robot cortacésped está equipado con los siguientes dispositivos que le permiten detectar los bordes y saber dónde segar:

- La cámara de detección de césped: para reconocer cambios en el tipo de superficie, por ejemplo, de césped a pavimento.

- Dos sensores ultrasónicos de objetos: para detectar obstáculos superiores a 25 cm (9,84"). Están activados por defecto y detectan plantas, arbustos y otros obstáculos en los bordes del césped. Para obtener un corte uniforme, la hierba larga debe cortarse antes de segar, o los sensores ultrasónicos deben desactivarse.

Si el robot cortacésped encuentra un obstáculo, como un árbol o un borde de flores, girará y se desplazará horizontalmente una corta distancia antes de continuar con el patrón de corte paralelo (Fig. 7). Esto puede dar lugar a una zona sin cortar detrás del obstáculo, que posteriormente deberá cortarse en modo manual. Para que el robot cortacésped pueda moverse libremente por el césped, este debe revisarse y ajustarse adecuadamente, de modo que el robot cortacésped tenga suficiente espacio para reconocer cuándo hay un obstáculo. Siga atentamente las instrucciones que se indican a continuación para conocer los tipos de bordes/protecciones que pueden/no pueden utilizarse para delimitar la zona de trabajo.



## Pavimentación

El césped necesita un borde pavimentado o de madera de al menos 35 cm (13,78") de ancho para detenerse con seguridad y cambiar de dirección.

Los bordes pavimentados o de madera de menos de 35 cm (13,78") de ancho deben ensancharse o pueden utilizarse junto con una barrera. Consulte la sección Barrera elevada a continuación (Fig. 8).

## Barrera elevada

Con los sensores ultrasónicos activados, se puede utilizar una barrera perimetral a una altura superior a 25 cm (9,84") para definir el límite de la zona de trabajo. Los sensores ultrasónicos detectarán la barrera y cambiarán de dirección.

Si una barrera existente es inferior a 25 cm (9,84"), sustitúyala o elévela o añada pavimento adicional (Fig. 9).

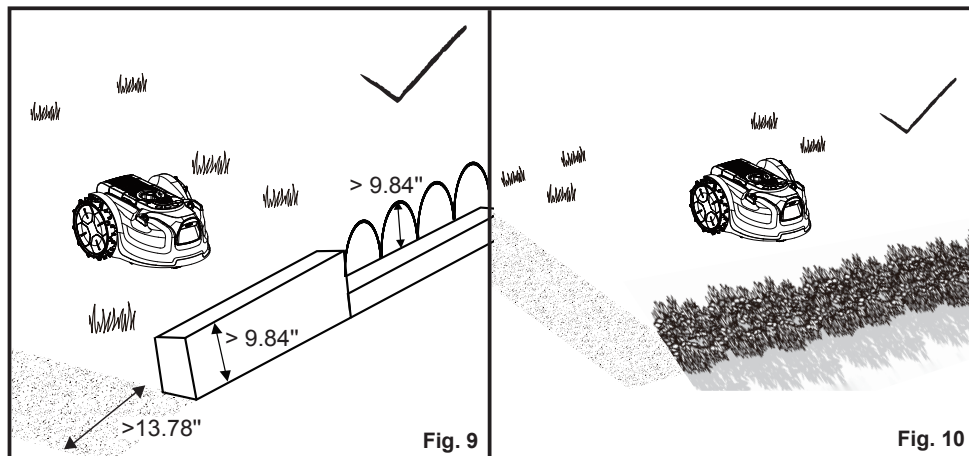
# OPERACIÓN

ES

## Cobertura

Con los sensores ultrasónicos encendidos, se pueden utilizar setos para delimitar la zona de trabajo (Fig. 10).

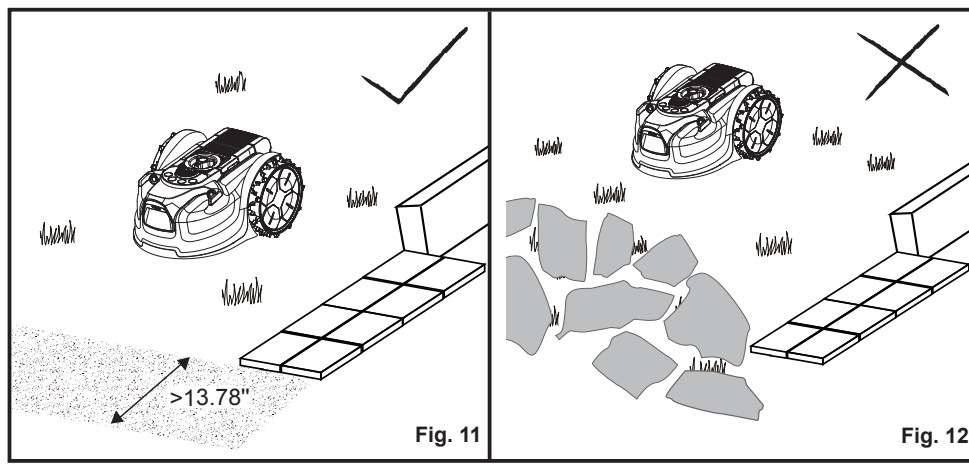
**NOTE:** El robot cortacésped suele reconocer el follaje como hierba. Por lo tanto, los sensores ultrasónicos deben mantenerse siempre activados cuando se utilicen setos como límite de la zona de trabajo.



## Grava fina

Si se utiliza grava fina o piedras pequeñas para bordear el césped, asegúrese de que la anchura del borde sea superior a  $13,78''$  (35 cm) y tenga bordes despejados (Fig. 11).

**NOTE:** No utilice nunca grava, piedras o materiales similares con bordes irregulares para delimitar la zona de trabajo (Fig. 12). Si no se proporcionan bordes despejados, el cortacésped se saldrá de la zona de siega y se dañarán las cuchillas.



## Barreras físicas contra choques

También puede utilizarse un límite que obstruya físicamente el movimiento del cortacésped. Este límite podría ser inferior a 25 cm (9,84") para que no lo detecten los sensores ultrasónicos de objetos, y también más estrecho de 35 cm (13,78"). Cuando el robot se encuentre con esta barrera física, saltará, dará marcha atrás y girará. Este tipo de límite puede ser adecuado para su césped en algunas zonas.

## Barreras físicas temporales

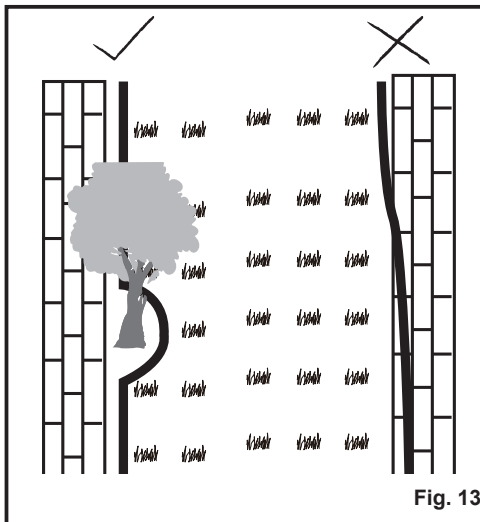
Durante el primer uso, mientras se siembran las parcelas de césped o con las flores del césped de temporada, puede ser conveniente utilizar un método temporal para proteger o definir la zona de césped que va a cortar el cortacésped. En este caso, las cañas de jardín son especialmente eficaces y no desvirtúan el aspecto del césped. En primavera, puede proteger del cortacésped los bulbos de flores del césped hundiendo cañas cortas verticalmente en el césped alrededor de la zona espaciadas a 20 cm (7,87"). Se impedirá físicamente que el cortacésped entre en las zonas protegidas.

## Banda magnética

La banda magnética sirve como límite móvil y temporal para crear zonas en las que el robot cortacésped no puede segar.

El robot cortacésped está equipado con un sensor de banda magnética para reconocer una banda magnética colocada en el suelo. Cuando el robot cortacésped se encuentra con una banda magnética durante el corte perimetral, cortará siguiendo la banda magnética.

1. Coloque la banda magnética a unos centímetros de la zona u objeto en cuestión.
2. Asegúrese de que el límite exterior de la zona de siega está definido por una separación óptica o física.
3. Fije la banda magnética al suelo con las clavijas suministradas, separadas 1 m (39,37").
4. No coloque la banda magnética fuera de la zona de césped. El cortacésped podría seguir la banda magnética y quedarse atascado (Fig. 13).



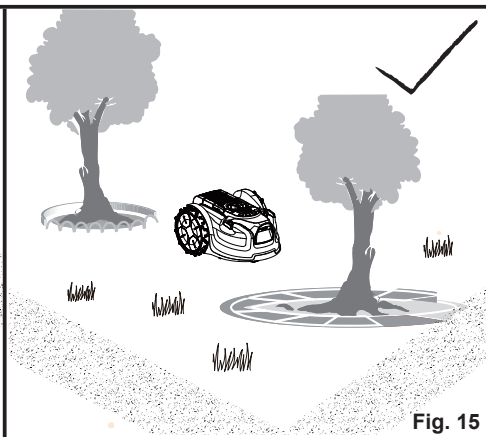
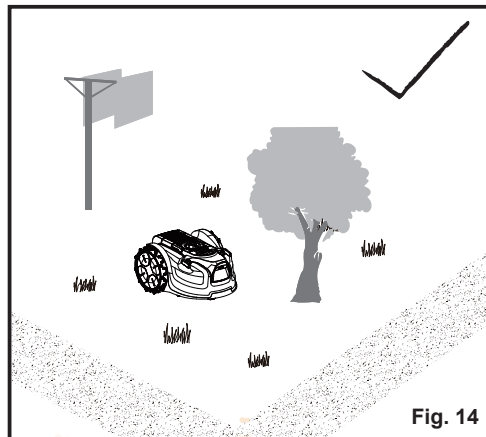
# OPERACIÓN

ES

## Obstáculos en la zona de siega

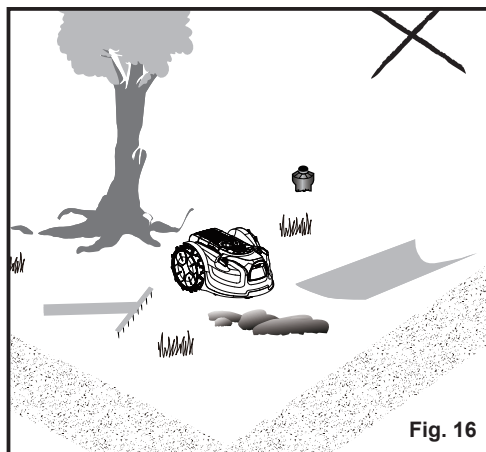
Con los sensores ultrasónicos activados, los objetos que no impiden el funcionamiento normal del robot cortacésped, como árboles (sin raíces elevadas), postes verticales, etc., no requieren ser excluidos de la zona de corte (Fig. 14).

Cuando en la superficie del césped hay objetos, como raíces de árboles expuestas, cables expuestos, sistemas de riego, desagües, etc., es necesario proteger estos objetos con pavimento, muros o barreras para evitar dañarlos a ellos y al robot cortacésped (Fig. 15).



La zona de trabajo no puede estar delimitada por agujeros o zanjas. Asegúrese de que no haya objetos como juguetes, herramientas de trabajo, piedras pequeñas, ramas o aspersores, etc., sobre el césped o sobresaliendo del suelo que puedan obstaculizar el cortacésped o causar daños a la cuchilla (Fig. 16).

**NOTA:** Evite que se acumulen hojas en el césped, ya que podrían no ser detectadas correctamente por el robot cortacésped. Retire las hojas a intervalos regulares.





# OPERACIÓN

ES

## PANEL DE CONTROL (Fig. 19)

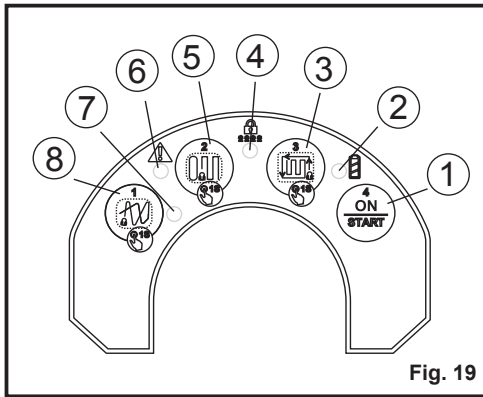


Fig. 19

- ① START/ON (botón de configuración de seguridad 4)  
Mantenga pulsado el botón START/ON durante 1 segundo para encender el cortacésped. Seleccione el modo de corte preferido (corte paralelo automático, corte paralelo parcial/manual o corte aleatorio) y vuelva a pulsar el botón START/ON para comenzar a cortar.  
Battery Indicator

- ② Indicador de batería

Indicador de la batería	Estado
Verde, continuo	Potencia suficiente para podar / lista para podar.
Rojo, continuo	Recarga requerida.
Rojo, parpadeante	La temperatura del paquete de baterías es anormal o existe una falla en el núcleo eléctrico.

- ③ Botón de podado automático (Botón de seguridad 3)  
Pulse este botón durante 1 segundo para seleccionar el modo de corte paralelo con planificación automática y, a continuación, pulse el botón START/ON. El cortacésped comenzará con un corte completo del perímetro alrededor del límite del césped y, a continuación, comenzará a cortar en paralelo automáticamente.

## ④ Indicador UNLOCK

Indicador UNLOCK	Estado
Apagado	El cortacésped no se ha configurado con un código de seguridad.
Verde, continuo	El cortacésped está desbloqueado. El cortacésped se puede manejar manualmente.
Rojo, continuo	Se está configurando el código de seguridad.
Rojo, intermitente	El cortacésped está bloqueado.

## ⑤ Botón de corte paralelo parcial/manual (botón de configuración de seguridad 2)

Pulse este botón durante 1 segundo para seleccionar el modo de corte paralelo parcial/manual y, a continuación, pulse el botón START/ON. Coloque el cortacésped en el lado izquierdo del césped. Comenzará a cortar en paralelo, desplazándose por el césped de izquierda a derecha. El corte paralelo parcial/manual se puede utilizar cuando el corte perimetral resulta difícil debido a la forma del césped, o cuando el cortacésped se ha detenido a mitad del corte y es necesario reanudar la sesión de corte.

## ⑥ Indicador de error

Indicador de error	Estado
Apagado	El cortacésped funciona con normalidad.
Amarillo, continuo	El sensor de elevación está activado. / El sensor de obstrucción está activado. / El cortacésped está inclinado. / Las ruedas traseras están levantadas (resbalando) debido a un obstáculo. / El cortacésped se ha volcado. / Se ha pulsado el botón STOP. / El cortacésped no detecta hierba.
Rojo, continuo	Error del sensor. / Fallo del motor. / Error del sistema operativo.

## ⑦ Indicador ultrasónico

Indicador ultrasónico	Estado
Verde, continuo	La función ultrasónica está activada.
Apagado	La función ultrasónica está desactivada.
Amarillo, parpadeando	El cortacésped tiene un problema de comunicación con la cámara.

## ⑧ Botón de corte aleatorio (botón de configuración de seguridad 1)

Pulse este botón durante 1 segundo para seleccionar el modo de corte aleatorio y, a continuación, pulse el botón START/ON.

Mantenga pulsado el botón de corte aleatorio para desactivar/activar la función ultrasónica.

### BLOQUEAR EL CORTACÉSPED CON UN CÓDIGO DE SEGURIDAD

Este cortacésped puede bloquearse con un código de seguridad. Una vez establecido el código de seguridad, el cortacésped se bloqueará en las dos situaciones siguientes: 1) el cortacésped está apagado; 2) el cortacésped está en estado de error. Es necesario introducir el código de seguridad correcto para volver a arrancar el cortacésped.

**NOTA:** El cortacésped no está conFigurado con un código de seguridad por defecto.

#### Para establecer un código de seguridad:

1. Mantenga pulsados simultáneamente el botón de corte parcial/manual paralelo (botón de configuración de seguridad 2) y el botón START/ON (botón de ajuste de seguridad 4) simultáneamente durante 3 segundos. Oirá dos pitidos y el Indicador de DESBLOQUEO estará en rojo continuo.
2. Antes de que transcurran 10 segundos, introduzca un número de cuatro dígitos de su elección con los botones 1-4 para utilizarlo como código de seguridad personal. Pulse el botón STOP para confirmar. El indicador de DESBLOQUEO parpadea en verde.
3. Antes de 10 segundos, introduzca de nuevo el número de cuatro cifras de su código de seguridad. Pulse el botón STOP para confirmar. El indicador de DESBLOQUEO se ilumina en verde de forma continua. El código de seguridad se ha conFigurado correctamente.

**NOTA:** Si se introducen más de cuatro dígitos, se oirán cinco pitidos. El cortacésped vuelve al estado sin código de seguridad. El indicador de DESBLOQUEO se apaga. Vuelva a empezar desde el primer paso para conFigurar el código de seguridad.

**NOTA:** Si no se acciona el panel de control durante 10 segundos durante el ajuste del código de seguridad, el cortacésped volverá automáticamente al estado sin código de seguridad.

#### Para desactivar la función de código de seguridad:

1. Desbloquee el cortacésped introduciendo el código de seguridad correcto y pulsando el botón STOP para confirmar. Oirá dos pitidos y el indicador de DESBLOQUEO estará en verde continuo.
2. Mantenga pulsados simultáneamente el botón de corte paralelo parcial/manual (botón de configuración de seguridad 2) y el botón START/ON (botón de ajuste de seguridad 4) simultáneamente durante 3 segundos. El indicador de DESBLOQUEO se apaga. La función de código de seguridad se desactiva correctamente.

#### Para cambiar el código de seguridad:

1. Desbloquee el cortacésped introduciendo el código de seguridad correcto y pulsando el botón STOP para confirmar.
2. Mantenga pulsados simultáneamente el botón de corte paralelo automático (botón de configuración de seguridad 3) y el botón START/ON (botón de conFiguración de seguridad 4) simultáneamente durante 3 segundos. Oirá dos pitidos y el indicador de DESBLOQUEO estará en rojo continuo. El cortacésped está listo para cambiar el código de seguridad.
3. Antes de 10 segundos, introduzca un nuevo código de seguridad. Pulse el botón STOP para confirmar. El indicador de DESBLOQUEO parpadea en verde.
4. Antes de 10 segundos, introduzca de nuevo el nuevo código de seguridad. Pulse el botón STOP para confirmar. El indicador de DESBLOQUEO se ilumina en verde de forma continua. El nuevo código de seguridad se ha conFigurado correctamente.

**NOTA:** Si se introducen más de cuatro dígitos, se oirán cinco pitidos. El cortacésped vuelve al estado bloqueado. El indicador de DESBLOQUEO parpadea en rojo. Vuelva a empezar desde el primer paso para cambiar el código de seguridad.

## CONEXIÓN/DESCONEXIÓN

1. Para encenderlo, pulse el botón START/ON durante 1 segundo. El indicador de batería, el indicador de error y el indicador de DESBLOQUEO parpadearán consecutivamente. El sistema de la cámara tardará aproximadamente 15 segundos en encenderse.



**NOTA:** Por favor espere mientras el cortacésped arranca, intentar arrancar el cortacésped en este tiempo causará un aviso de error y será necesario repetir el proceso de arranque.

2. El cortacésped estará listo para cortar cuando el indicador de batería y el indicador ultrasónico se iluminen en verde de forma continua y el cortacésped emita un pitido.
3. To switch off the mower, lift the battery compartment cover and remove the safety key.

## ARRANQUE/PARADA DEL CORTACÉSPED



### ADVERTENCIA

No permita que la familiaridad con los productos le haga descuidado. Recuerde que una fracción de segundo de descuido es suficiente para infligir lesiones graves.



### ADVERTENCIA

Lea atentamente las instrucciones de seguridad antes de poner en marcha el robot cortacésped.



### ADVERTENCIA

Mantenga las manos y los pies alejados de las cuchillas giratorias. Nunca ponga las manos o los pies cerca o debajo del cortacésped cuando el motor esté en marcha.



### ADVERTENCIA

No utilice nunca el robot cortacésped cuando haya personas, especialmente niños, o animales domésticos, en la zona de corte.

# OPERACIÓN

ES

1. Asegúrese de que la batería completamente cargada y la llave de seguridad están instaladas correctamente en el robot cortacésped.
2. Coloque el robot cortacésped en la zona de corte definida, a varios metros del borde del césped. El cortacésped debe estar orientado hacia el borde.
3. Desbloquee el cortacésped si está bloqueado. Introduzca el código de seguridad correcto y pulse el botón STOP para confirmar. Oirá dos pitidos y el indicador de DESBLOQUEO se iluminará en verde de forma continua. El cortacésped está desbloqueado.
4. Pulse el botón START/ON durante 1 segundo. El indicador de batería, el indicador de error y el indicador de DESBLOQUEO parpadearán consecutivamente. El sistema de la cámara tardará aproximadamente 15 segundos en ponerse en marcha. El cortacésped estará listo para cortar cuando el indicador de batería y el indicador ultrasónico se iluminen en verde de forma continua y el cortacésped emita un pitido.
5. Seleccione el modo de corte deseado pulsando durante 1 segundo el botón de corte paralelo automático, corte paralelo parcial/manual o corte aleatorio, y luego pulse el botón START/ON para comenzar a cortar.
6. Para detener el cortacésped durante el funcionamiento, pulse el botón STOP.
7. Para apagar el cortacésped, levante la tapa del compartimento de la batería y retire la llave de seguridad.



**NOTA:** Si el cortacésped se detiene temporalmente pulsando el botón STOP, para volver a arrancarlo no es necesario introducir el código de seguridad.

**NOTA:** Si el cortacésped está atascado o ha estado parado durante más de 20-25 minutos, entrará automáticamente en Stand By (apagado). Para volver a encender el cortacésped, siga las instrucciones anteriores.

## MODOS DE CORTE

### 1. Corte paralelo automático

En este modo, el robot cortacésped comenzará con un corte completo del perímetro alrededor del límite del césped y, a continuación, iniciará automáticamente el corte paralelo.

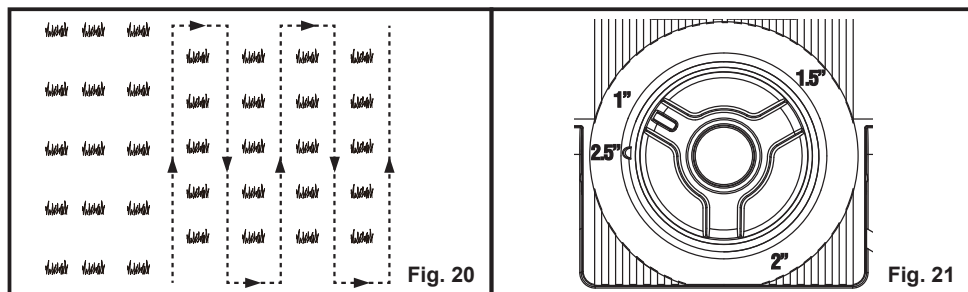
Después de encender el robot cortacésped, pulse el botón de corte paralelo automático durante 1 segundo. A continuación, pulse el botón START/ON. Tras 5 segundos de funcionamiento continuo, oirá unos pitidos que indican que las cuchillas han comenzado a girar.

En este modo, el cortacésped determinará el mejor lugar para comenzar el corte paralelo en función del tamaño y la forma del césped. Si el césped no se corta bien con el modo de corte paralelo automático debido a su forma compleja, utilice el modo de corte paralelo parcial/manual para completar el corte (véase más abajo).

### 2. Corte paralelo parcial/manual

Este modo es ideal para arreglar las zonas que no se hayan cortado durante una sesión de corte automático.

Después de encender el robot cortacésped, pulse el botón de corte paralelo parcial/manual durante 1 segundo. A continuación, pulse el botón START/ON. El cortacésped comenzará a cortar en paralelo de izquierda a derecha a lo largo del césped (Fig. 20). Una vez finalizado el corte paralelo parcial/manual, el robot cortacésped comenzará a cortar en modo paralelo automático.



**NOTA:** El corte paralelo parcial/manual se puede utilizar antes del corte automático para cortar de forma sistemática y eficiente las zonas principales del césped. De este modo, se reduce el tiempo de corte automático necesario para completar el césped. También se obtiene un mejor acabado del césped.

### 3. Corte aleatorio

En este modo, el robot cortacésped cortará el césped siguiendo un patrón aleatorio.

Después de encender el robot cortacésped, pulse el botón de corte aleatorio durante 1 segundo. A continuación, pulse el botón START/ON. Tras 5 segundos de funcionamiento continuo, oirá unos pitidos que indican que las cuchillas han comenzado a girar. El modo de corte aleatorio se puede utilizar si el césped es complejo y no es posible realizar un corte completo con ninguno de los modos de corte paralelo.

El robot cortacésped buscará automáticamente una zona de trabajo adecuada. Si el robot cortacésped no encuentra césped en 5 segundos, cambiará de dirección y volverá a funcionar en una nueva dirección. Las cuchillas no girarán hasta que el cortacésped pueda funcionar de forma continua durante al menos 5 segundos.

# OPERACIÓN

ES

## AJUSTE DE LA ALTURA DE CORTE



### ADVERTENCIA

No realice ningún ajuste en el robot cortacésped sin antes parar el motor. Mantenga los pies alejados del disco de corte cuando ajuste su altura.

La altura de corte de la segadora puede ajustarse de MIN 1" (25 mm) a MAX 2,5" (65 mm) (Fig. 21). Durante las primeras semanas de siega, seleccione siempre la altura de corte más alta: 40 mm. Después, la altura de corte puede reducirse paso a paso cada semana hasta alcanzar la altura de corte deseada.

1. Pulse el botón STOP para detener el robot cortacésped.
2. Gire el mando de ajuste de la altura de corte para ajustar la altura de corte.
  - Gire en el sentido de las agujas del reloj para elevar la altura de corte.
  - Gire en sentido contrario a las agujas del reloj para bajar la altura de corte.
3. Para el primer corte de cada temporada, debe seleccionarse un ajuste de corte más alto. **EL USO DE UNA ALTURA DE CORTE DEMASIADO BAJA EN CÉSPED MÁS LARGO CONSUMIRÁ MÁS POTENCIA Y REDUCIRÁ EL TIEMPO DE FUNCIONAMIENTO DE LA BATERÍA.**
4. Antes de empezar a segar, compruebe que la cuchilla no esté desafilada y que ninguna de las fijaciones esté dañada. Para evitar cualquier desequilibrio, sustituya las cuchillas desafiladas y/o dañadas. Para realizar esta comprobación, apague primero el cortacésped retirando la llave de seguridad.

## **ADVERTENCIA**

Apague siempre el producto, retire la llave de seguridad y el paquete de baterías y deje que el producto se enfríe antes de realizar trabajos de inspección, mantenimiento y limpieza.

## **ADVERTENCIA**

Si una pieza se desgasta o daña, utilice piezas de repuesto recomendadas por el fabricante. El uso de cualquier otra pieza puede crear un peligro o causar daños al producto.

## **ADVERTENCIA**

No utilice ningún aditamento o accesorios no recomendado por el fabricante de este producto. El uso de aditamentos o accesorios no recomendados pueden dar como resultado serias lesiones personales.

### MANTENIMIENTO GENERAL

1. Mantenga todos los dispositivos de seguridad y la carcasa del motor libres de suciedad y polvo. Evite utilizar disolventes para limpiar las piezas de plástico. La mayoría de los plásticos son susceptibles de ser dañados por diversos tipos de disolventes comerciales y pueden resultar dañados por su uso. Utilice paños limpios y secos para eliminar la suciedad, el polvo, el aceite, la grasa, etc.
2. Compruebe periódicamente el apriete de todos los tornillos y tuercas para garantizar un funcionamiento seguro del cortacésped.
3. Elimine cualquier acumulación de hierba y hojas sobre o alrededor del cortacésped. Limpie de vez en cuando el cortacésped con un paño seco. No utilice agua.
4. Durante el funcionamiento, si se acumula hierba o barro en las ruedas, límpielas inmediatamente. De lo contrario, podría afectar al rendimiento de corte paralelo del cortacésped.

### SUSTITUCIÓN DE LAS CUCHILLAS DEL CORTACÉSPED

## **ADVERTENCIA**

Utilice siempre guantes gruesos de protección cuando realice el mantenimiento de las cuchillas. La inobservancia de esta advertencia puede provocar lesiones personales graves.

## **ADVERTENCIA**

Antes de realizar cualquier operación de mantenimiento, asegúrese de haber retirado la llave de seguridad y la batería. La inobservancia de esta advertencia puede provocar lesiones personales graves.

Compruebe siempre si las cuchillas están en buen estado. Si las cuchillas están desafiladas, dañadas o muestran signos de desequilibrio, deben sustituirse. Utilice únicamente cuchillas de repuesto recomendadas. Asegúrese de que las 3 cuchillas y los tornillos se sustituyen al mismo tiempo para mantener un sistema de corte equilibrado. Puede adquirir cuchillas de repuesto poniéndose en contacto con el Servicio de Atención al Cliente.

### Sustitución de las cuchillas:

1. Pulse el botón STOP y deje que la cuchilla se detenga por completo.
2. Levante la tapa del compartimento de la pila. Retire la llave de seguridad y la batería.
3. Gire lentamente el cortacésped. Colóquelo sobre una superficie suave y limpia.
4. Utilice una herramienta adecuada (por ejemplo, un destornillador) para introducirla en uno de los tres orificios del disco de cuchillas para fijarlo en su sitio (Fig. 22). Esto asegura que el disco de cuchillas no gire al sustituir las cuchillas para evitar lesiones personales.
5. Póngase guantes de protección y utilice un destornillador o una llave hexagonal para retirar los tres tornillos y las cuchillas (Fig. 23).
6. Fije las cuchillas nuevas con tornillos nuevos.
7. Asegúrese de que todas las cuchillas puedan girar libremente.

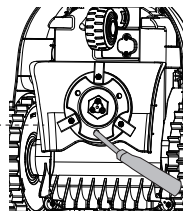
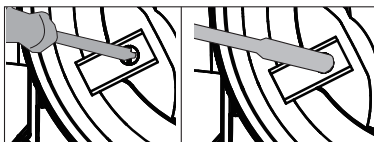
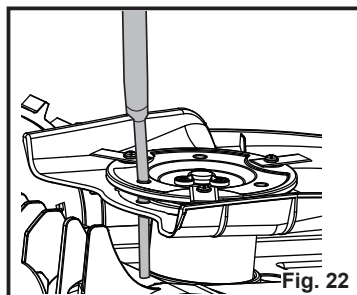


Fig. 22

Fig. 23

### LIMPIEZA DE LA PARTE INFERIOR DE LA CUCHILLA

Se recomienda revisar y limpiar regularmente la parte inferior del robot cortacésped.

1. Pulse el botón STOP y deje que la cuchilla se detenga por completo.
2. Levante la tapa del compartimento de la pila. Retire la llave de seguridad y la batería.
3. Gire lentamente el cortacésped. Colóquelo sobre una superficie suave y limpia.
4. Utilice un cepillo suave o un paño húmedo para eliminar la suciedad, el polvo, el aceite, la grasa, etc. de la parte inferior del cortacésped.

## PRECAUCIÓN:

No lave el cortacésped con agua corriente.

5. Utilice guantes de seguridad para limpiar a fondo el disco de corte, el chasis y las ruedas delanteras y traseras con un cepillo suave o un paño húmedo. Elimine cualquier residuo alojado a su alrededor.

6. Asegúrese de que el disco de cuchillas puede girar libremente y que todas las cuchillas pueden girar libremente.

## GUARDAR EL CORTACÉSPED

Se recomienda guardar el robot cortacésped en un lugar cerrado entre usos.

1. Antes de guardar el cortacésped, retire la llave de seguridad y la batería.
2. Limpie a fondo el cortacésped.
3. Utilice el asa de transporte para transportar el cortacésped. Transporte el cortacésped con el disco de corte alejado del cuerpo (Fig. 24).
4. Guarde el cortacésped en un lugar limpio, seco y fuera del alcance de los niños.

**IMPORTANTE:** Proteja la parte inferior del cortacésped del agua estancada. No guarde NUNCA el cortacésped boca abajo en el exterior.

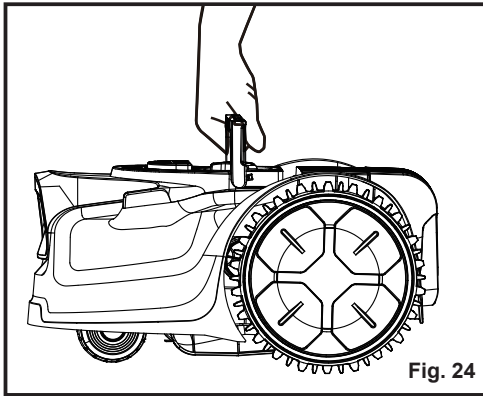


Fig. 24

## MANTENIMIENTO DE LA BATERÍA

1. Cargue completamente la batería antes de guardarla.
2. Recargue el pack de baterías siempre que se produzca una reducción notable del rendimiento. No deje que la batería se descargue por completo.
3. No recargue una batería que ya esté completamente cargada. La sobrecarga acorta la vida útil de la batería.
4. Una vez que la batería esté completamente cargada, retírela del cargador y desconecte el cargador de la toma de corriente.
5. No guarde la batería en la herramienta ni en el cargador.
6. Si la batería está caliente, deja que se enfríe antes de recargarla.

## MANTENIMIENTO DEL CARGADOR

1. Mantenga el cargador limpio y libre de residuos. No deje que entren cuerpos extraños en la cavidad o en los contactos. Límpielo con un paño seco. No utilice disolventes, agua ni lo coloque en lugares húmedos.
2. Desenchufe siempre el cargador cuando la batería no esté instalada en él.
3. No guarde el cargador en lugares con calor excesivo. No lo utilice bajo la luz directa del sol.

4. Desconecte el cargador de la toma de corriente de CA cuando no lo utilice y una vez que la batería haya alcanzado una carga completa.

## ACTUALIZACIÓN DEL SOFTWARE

El cortacésped puede requerir actualizaciones periódicas del software para mejorar su funcionalidad.

**NOTA:** Asegúrese de que la unidad flash USB funciona con normalidad y de que el robot cortacésped está encendido pulsando el botón START/ON durante 3 segundos antes de actualizar.

**NOTA:** Asegúrese de que el indicador de la batería está en verde y de que el cortacésped tiene energía suficiente para actualizar el software.

1. Descargue el software más reciente del robot cortacésped desde nuestro sitio web de asistencia ([www.lawnmaster.com](http://www.lawnmaster.com)) a una unidad flash USB vacía.
2. Detenga el cortacésped y retire la llave de seguridad.
3. Ponga el cortacésped boca abajo. Con guantes protectores, utilice un destornillador para quitar los dos tornillos que sujetan la tapa del puerto USB. Retire la tapa para dejar al descubierto el puerto USB (Fig. 23).
4. Introduzca la llave de seguridad. Desbloquee el cortacésped si está bloqueado.
5. Pulse el botón START/ON durante 3 segundos y espere 15 segundos hasta que el robot cortacésped se encienda por completo indicado por una luz verde de batería y un pitido. Inserte la unidad flash USB en el puerto USB y oírás cuatro pitidos. El software se está actualizando cuando los tres indicadores parpadean.
6. Una vez finalizada la actualización del software, oírás un pitido continuo y el indicador de la batería se iluminará en verde de forma continua.
7. Extraiga la memoria USB. Vuelva a colocar la tapa del puerto USB y atorníllela en su sitio. Para completar la actualización del software, reinicie la máquina retirando y volviendo a insertar la llave de seguridad.

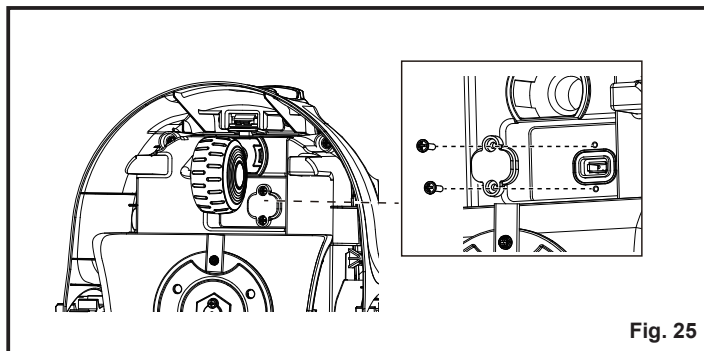


Fig. 25

# ELIMINACIÓN DE BATERÍAS SIN PELIGRO PARA EL MEDIO AMBIENTE

ES



Las baterías utilizadas en este paquete de baterías contienen los siguientes materiales tóxicos y corrosivos: **iones de litio, un material tóxico.**



## ADVERTENCIA

Todos los materiales tóxicos deben desecharse de manera específica para evitar la contaminación del medio ambiente. Antes de desechar los paquetes de baterías de iones de litio dañados o desgastados, póngase en contacto con su agencia local de eliminación de residuos o con la Agencia de Protección Ambiental local para obtener información e instrucciones específicas.



## ADVERTENCIA

Si el paquete de baterías se agrieta o se rompe, con o sin fugas, no lo recargue ni lo utilice. Deséchelo y reemplácelo con un nuevo paquete de baterías.

### ¡NO INTENTE REPARARLO!

**Para evitar lesiones y riesgos de incendio, explosión o descarga eléctrica, y para evitar daños al medio ambiente:**

- Cubra las terminales de la batería con cinta adhesiva resistente.
- **NO** intente extraer ni destruir ninguno de los componentes del paquete de baterías.
- **NO** intente abrir el paquete de baterías.
- Si se produce una fuga, los electrolitos liberados son corrosivos y tóxicos. NO deje que la solución entre en contacto con los ojos o la piel y no la trague.
- **NO** coloque las baterías dañadas o defectuosas en la basura doméstica habitual.
- **NO** las incinere.
- **NO** coloque las baterías donde puedan formar parte de ningún vertedero de residuos o flujo de residuos sólidos municipales.
- Lleve las baterías a un centro de reciclaje o de eliminación certificado.

# SOLUCIÓN DE PROBLEMAS

ES

Las sospechas de mal funcionamiento suelen deberse a causas que el usuario puede solucionar por sí mismo.

Por lo tanto, compruebe el producto utilizando esta sección. En la mayoría de los casos, el problema puede resolverse rápidamente

## ¡AVISO!

Realice únicamente los pasos descritos en estas instrucciones.

Todos los trabajos de inspección, mantenimiento y reparación posteriores deben ser realizados por un centro de servicio autorizado o un especialista con cualificación similar si no puede solucionar el problema usted mismo.

Al realizar estas instrucciones deben utilizarse guantes y ropa de protección adecuada. Apague siempre el cortacésped antes de realizar cualquier ajuste.

PROBLEMA	POSIBLE CAUSA	SOLUCIÓN
La podadora robótica está atascada durante el podado.	Hay hierba u otros residuos enrollados alrededor de las ruedas.	Revise las ruedas y retirar el césped u objetos.
	Hay hierba u otros residuos enrollados alrededor del disco de cuchillas.	Compruebe el disco de la cuchilla y retire el césped u objetos (use siempre guantes).
	El disco de cuchillas está sumergido en agua.	Mueva la podadora robotica y evite la acumulación de agua en la zona de trabajo.
	La podadora robotica se ha quedado atrapada en algo.	Libere la podadora y remueva el obstaculo.
	La podadora robotica está atascada detrás de una serie de obstáculos.	Compruebe si hay obstáculos que dificulten el avance de la podadora robótica para moverse desde esta ubicación. Retire los obstáculos.
	La podadora está atascada en un hueco o agujero irregular en el césped.	Asegúrese de que los huecos y hoyos del césped estén nivelados con tierra vegetal y sembrados en exceso con semillas de césped.
	El sensor de elevación se activó cuando la podadora quedó atrapada.	Libere la podadora.

# SOLUCIÓN DE PROBLEMAS

**ES**

PROBLEMA	POSIBLE CAUSA	SOLUCIÓN
El uso del modo de corte paralelo automático deja algunas secciones sin cortar o sin terminar bien.	El césped tiene una forma compleja.	Utilice el cortacésped en modo de corte paralelo parcial/manual. Ajuste los bordes del césped a una forma más geométrica con menos esquinas.
	Hay obstáculos en el camino.	Retire cualquier obstáculo no permanente, como macetas o muebles de jardín. Para los obstáculos fijos, utilice el modo de corte paralelo parcial/manual una vez completado el primer corte.
El cortacésped no completa un corte perimetral completo.	Hierba alta alrededor de los bordes.	Recorte la hierba alta alrededor de los bordes.
	Obstáculos en el perímetro.	Retire los obstáculos.
	Bordes hundidos alrededor del perímetro del césped.	Nivele los bordes hundidos o protéjalos con una banda magnética.
El robot cortacésped no arranca.	La llave de seguridad no está instalada correctamente/ completamente.	Instale la llave de seguridad correctamente.
	La batería no está instalada correctamente.	Asegúrese de que la batería esté instalada correctamente.
	La batería no está totalmente cargada.	Cargue la batería.
	Posible obstrucción.	Extraiga la llave de seguridad y la batería. Compruebe debajo de la podadora y límpiela si es necesario ( siempre use guantes).
	El césped es demasiado largo.	Ajuste la altura del corte. Si la longitud del césped es mayor que la altura de corte más alta, recórtelo hasta una altura manejable.
	La batería está defectuosa.	Reemplace la batería.
	Botón de START/ON (INICIO/ ENCENDIDO) defectuoso.	Contáctese con el Servicio de Atención al Cliente.

# SOLUCIÓN DE PROBLEMAS

ES

PROBLEMA	POSIBLE CAUSA	SOLUCIÓN
El robot cortacésped funciona fuera de la zona de trabajo.	Se utilizan barreras incorrectas para definir el área de trabajo.	Compruebe que los bordes/barreras están correctamente ajustados para delimitar la zona de trabajo. Realice mejoras o barreras temporales si es necesario. Consulte la sección <b>DELIMITACIÓN DE LA ZONA DE SIEGA</b> en la página 21-26.
	Los sensores ultrasónicos están apagados.	Encienda los sensores ultrasónicos
	El área de trabajo tiene una inclinación superior a 19°.	Reduzca el acceso de la podadora a áreas con una inclinación superior a 19°.
El robot cortacésped está al revés.	El robot cortacésped se inclina demasiado o ha volcado.	Gire el robot cortacésped en el sentido correcto y rectifique el motivo por el que se ha volcado.
Problema desconocido con el control o la función.	Problema temporal relacionado con la electrónica o el software del cortacésped.	Retire y vuelva a insertar la llave de seguridad. Reinicie el cortacésped. Descargue e instale la última actualización del software. Si el problema persiste, póngase en contacto con el Servicio de Atención al Cliente.
El robot cortacésped funciona sobre el césped, pero el disco de corte no gira.	El robot cortacésped busca la zona de trabajo correcta.	Esto es normal. El cortacésped necesita trabajar en una zona suficientemente amplia. El disco de corte no gira mientras busca automáticamente la zona de trabajo adecuada.
El robot cortacésped vibra.	Las cuchillas de corte están dañadas.	Sustituya las cuchillas. Consulte la sección <b>SUSTITUCIÓN DE LAS CUCHILLAS DEL CORTACÉSPED</b> en la página 34-35. Puede adquirir cuchillas de repuesto poniéndose en contacto con el Servicio de Atención al Cliente.
	Demasiadas cuchillas en la misma posición provocan un desequilibrio en el sistema de corte.	Compruebe que sólo haya una cuchilla en cada tornillo y que las cuchillas no estén atascadas.
	Se utilizan diferentes versiones (grosor) de cuchillas.	Compruebe si las cuchillas son de diferentes versiones (grosor).
	El tornillo de la cuchilla está suelto.	Apriete los tornillos de las cuchillas.

# SOLUCIÓN DE PROBLEMAS

ES

PROBLEMA	POSIBLE CAUSA	SOLUCIÓN
El césped se está cortando de forma desigual.	El área de trabajo es demasiado grande.	Ajuste los bordes/protecciones para reducir el tamaño del área del podado. Recargue la batería para cortar el área dos veces o compre una batería adicional para aumentar el tamaño del área cortada.
	Las cuchillas están desafiladas.	Sustituya todas las cuchillas y tornillos. Consulte la sección <b>SUSTITUCIÓN DE LAS CUCHILLAS DEL CORTACÉSPED</b> en la página 34-35. Las cuchillas de repuesto se pueden comprar comunicándose con el Servicio de atención al cliente.
	La altura de corte es demasiado baja o el césped está demasiado alto.	Aumente la altura de corte.
	Hay hierba enrollados alrededor del disco de cuchillas.	Compruebe debajo de la podadora y límpiela si es necesario (siempre use guantes).
El área de corte (duración de la batería) no es lo suficientemente grande.	La altura de corte es demasiado baja o la hierba está demasiado alta.	Aumentar la altura de corte.
	La hierba está mojada o húmeda.	Espera a que la hierba esté seca.
	La hierba es densa.	Aumente la altura de corte y corte con más frecuencia.
	La batería no está completamente cargada.	Carga la batería.
	La zona de césped es demasiado grande.	Recargue la batería y vuelva a segar o adquiera una batería adicional para segar zonas más extensas.
La cuchilla de corte no gira mientras el cortacésped está encendido.	La cuchilla de corte está obstruida.	Retire la llave de seguridad y la batería. Despeje la obstrucción (lleve siempre guantes).
	El tornillo de la cuchilla está suelto.	Apriete los tornillos de la cuchilla.

# SOLUCIÓN DE PROBLEMAS

ES

PROBLEMA	POSIBLE CAUSA	SOLUCIÓN
El indicador de error está en verde continuo.	El sensor de elevación se ha activado por 10 segundos.	Retire y vuelva a insertar la llave de seguridad. Verifique el área de trabajo en busca de obstáculos de más de 3.94" (10 cm) y retírelos. Reinicie la podadora.
	El sensor de obstrucción se ha disparado 10 veces en un minuto.	Retire y vuelva a insertar la llave de seguridad. Retire cualquier obstáculos. Compruebe si el césped es demasiado alto. Si es necesario, corte el césped por debajo de 2.36" (60 mm) con una podadora convencional Reinicie la podadora.
	El robot cortacésped ha estado inclinado durante un tiempo prolongado en una dirección.	Retire y vuelva a insertar la llave de seguridad. Retire cualquier obstáculos. Reinicie la podadora.
	Las ruedas traseras se han levantado debido a un obstáculo.	
	El cortacésped se ha caído.	
	Se pulsa el botón STOP.	Retire y vuelva a insertar la llave de seguridad. Vuelva a arrancar el cortacésped.
El robot cortacésped no puede ver la hierba.	Mueva el robot cortacésped hasta el césped y vuelva a ponerlo en marcha.	

# SOLUCIÓN DE PROBLEMAS

ES

PROBLEMA	POSIBLE CAUSA	SOLUCIÓN
El indicador de error está en rojo continuo.	Error de sensor.	Retire y vuelva a insertar la llave de seguridad. Reinicie la podadora. Si el problema persiste contacte con el servicio de atención al cliente.
	Sobrecorriente en el motor o falla del motor.	Retire y vuelva a insertar la llave de seguridad. Verifique y elimine cualquier obstáculo alrededor de las ruedas traseras y el disco de las cuchillas. Aumente la altura de corte. Compruebe si el césped es demasiado alto. Si es necesario, corte el césped por debajo de 2.36" (60 mm) con una podadora convencional Reinicie la podadora. Si el problema persiste, Contacte con el Servicio de Atención al Cliente.
	Error del sistema operativo.	Retire y vuelva a insertar la llave del aislador. Reinicie la podadora. Si el problema persiste, Contacte con el Servicio de Atención al Cliente.
El indicador ultrasónico parpadea en amarillo.	El cortacésped tiene un problema de comunicación con la cámara.	Está demasiado oscuro para que funcione la cámara. Utilice el cortacésped sólo durante las horas de luz diurna. Retire y vuelva a introducir la llave de seguridad. Vuelva a arrancar el cortacésped.
El indicador de batería parpadea en rojo.	La temperatura de la batería es anormal.	Deje que la máquina se enfríe hasta alcanzar una temperatura normal. A continuación, vuelva a arrancar el cortacésped. Si el problema persiste, póngase en contacto con el Servicio de Atención al Cliente.
	Fallo del núcleo eléctrico (El indicador de error está en rojo continuo al mismo tiempo).	Retire y vuelva a insertar la llave de seguridad. Vuelva a arrancar el cortacésped. Si el problema persiste, póngase en contacto con el Servicio de Atención al Cliente.

# SOLUCIÓN DE PROBLEMAS

ES

PROBLEMA	POSIBLE CAUSA	SOLUCIÓN
No es posible el proceso de carga.	Los contactos de la batería están contaminados.	Limpie los contactos de la pila (por ejemplo, introduciéndola y extrayéndola varias veces) o sustitúyala.
	La toma de corriente, el cable de alimentación o el cargador de baterías están defectuosos.	Compruebe la tensión de red. Si es necesario, póngase en contacto con el Servicio de Atención al Cliente.
	La batería tiene un fallo.	Sustituya la batería.
Los LED de control de carga no se encienden después de insertar el enchufe en la toma de corriente.	La clavija de red del cargador de baterías no está bien enchufada.	Inserte completamente el enchufe en la toma de corriente.
	La toma de corriente, el cable de alimentación o el cargador de baterías están defectuosos.	Compruebe la tensión de red y, si es necesario, póngase en contacto con el Servicio de Atención al Cliente.
	El fusible del enchufe está fundido.	Compruebe y sustituya el fusible del enchufe.
Todas las luces parpadean en rojo durante la actualización del software.	La actualización del software ha fallado.	Compruebe que el archivo de software tiene el nombre correcto. Asegúrese de que la memoria USB solo contiene el archivo de software y que, por lo demás, está vacía. Asegúrese de que el software no se encuentra dentro de una carpeta.

Para obtener más información sobre el estado de las luces indicadoras de la batería y el cargador, consulte la página 18-19.

# GARANTÍA DE LAWNMASTER®

ES

Estamos orgullosos de producir un producto duradero y de alta calidad. Este producto Lawnmaster® tiene una garantía limitada a dos (2) años contra defectos de mano de obra y materiales a partir de la fecha de compra en condiciones de uso doméstico normal. Si el producto se va a utilizar para uso comercial, industrial o de alquiler, se aplicará una garantía limitada de 30 días. **Las baterías tienen una garantía de un año contra defectos de mano de obra y materiales.** Las baterías deben cargarse de acuerdo con las instrucciones y normas del manual del operador para que sean válidas. La garantía no se aplica a los defectos debidos a abuso directo o indirecto, negligencia, mal uso, accidentes, reparaciones o alteraciones y falta de mantenimiento. Guarde su recibo o lista de empaque como comprobante de compra. Esta garantía le otorga derechos legales específicos, y también puede tener otros derechos que varían de un estado a otro. Para solicitar el servicio de productos, llame al Servicio de atención al cliente al 1-866-384-8432.

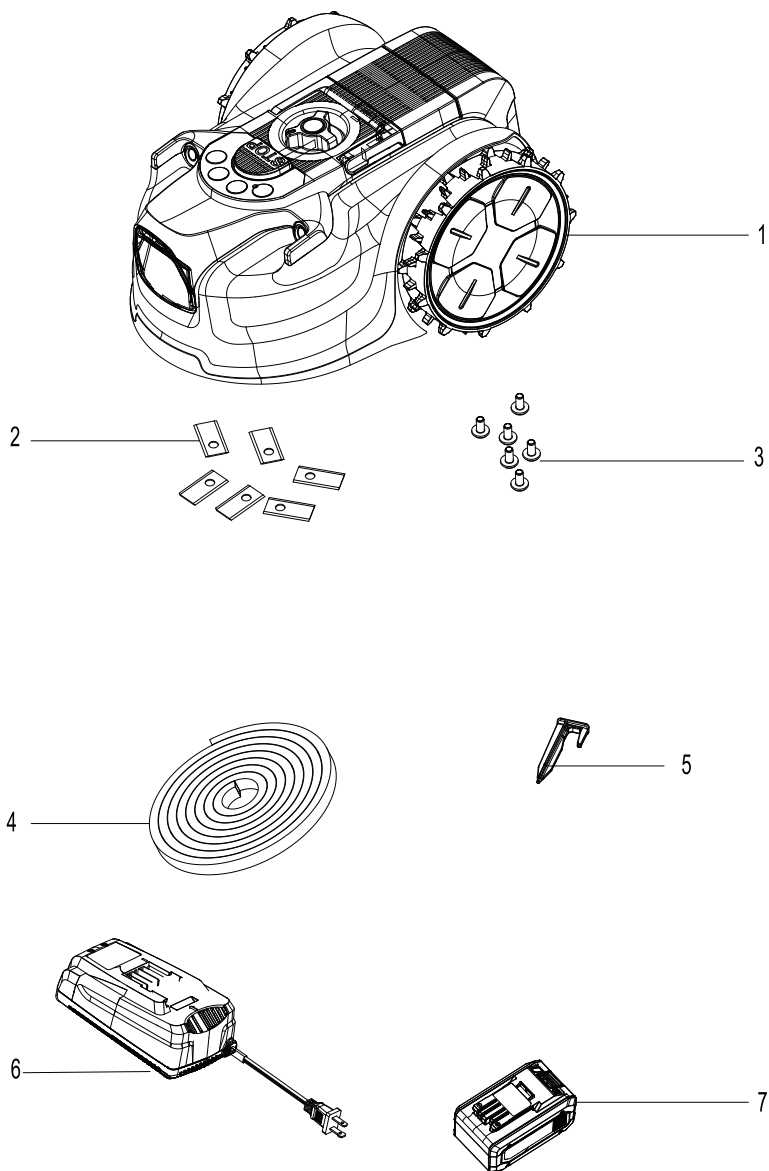
Artículos no cubiertos por la garantía:

1. Cualquier pieza que haya dejado de funcionar debido a un mal uso, uso comercial, abuso, negligencia, accidente, mantenimiento inadecuado o alteración;
2. La unidad, si no se ha utilizado o mantenido de acuerdo con el Manual del Operador;
3. Desgaste normal, excepto como se indica a continuación;
4. Elementos de mantenimiento de rutina, como lubricantes, afilado de cuchillas;
5. Deterioro normal del acabado exterior debido al uso o a la exposición.

**GUARDE SUS RECIBOS. ESTA GARANTÍA ES NULA SIN ELLOS.**

# VISTA EXPLOTADA

ES



# LISTA DE PIEZAS

**ES**

Número clave	Número de pieza	Descripción	Cantidad
1		Ensamblaje de la podadora	1
2		Cuchilla de repuesto	6
3		Tornillo para cuchilla	6
4	631013171	Banda magnética (16.4 pies / 5 m )	3
5	631010114	Clavija de la banda magnética	30
6	221024107	Cargador	1
7	631027109	Batería	1

Las piezas de repuesto resaltadas en gris están disponibles para su adquisición postventa. La sustitución de piezas de reparación o internas sólo debe ser realizada por un profesional de servicio cualificado. Póngase en contacto con su distribuidor autorizado o con el Servicio de Atención al Cliente llamando al 1-866-384-8432.

Hay disponible un paquete de 15 cuchillas, llame al 1-866-384-8432 para hacer su pedido.  
Número de pieza 523830







# TABLE DES MATIÈRES

---

Section	Page
TABLE DES MATIÈRES	2
CARACTÉRISTIQUES TECHNIQUES	3-5
INSTRUCTIONS IMPORTANTES EN MATIÈRE DE SÉCURITÉ	6-10
SYMBOLES	11-13
CONNAÎTRE SA TONDEUSE ROBOT	14-15
ASSEMBLAGE	16-17
BLOC-BATTERIE ET CHARGEUR	18-20
FONCTIONNEMENT	21-33
ENTRETIEN	34-37
ÉLIMINATION DES PILES DANS LE RESPECT DE L'ENVIRONNEMENT	38
DÉPANNAGE	39-44
GARANTIE LAWNMASTER®	45
VUE ÉLARGIE	46
Liste des pièces	47
REMARQUES	48-49

FR

# CARACTÉRISTIQUES TECHNIQUES

---

FR

## DIMENSIONS

Longueur	43.8 cm (17.24")
Largeur	34,8 cm (13,7")
Hauteur	22 cm (8,66")
Poids (sans batterie 8,0Ah)	14,33 lbs (6,5 kg)

## TONTE

Tension	24 V CC.
Vitesse à vide	3500 RPM
Système de tonte	3 lames de coupe pivotantes
Largeur de coupe	15,5 cm (6")
Réglage de la hauteur de tonte	1"-2.5" (25-65 mm)
Consommation d'énergie pendant la tonte	40 W ± 20 %
Inclinaison maximale	19°
Classification IP	IPX4

## PACK BATTERIE

Numéro du modèle	24LB8006-CN
Tension nominale de la batterie	24 V Max* D.C.
Capacité de la batterie	8.0 Ah
Type de batterie	Lithium-ion

## CHARGEUR DE BATTERIE

Numéro du modèle	24LFC14-ETL
Entrée du chargeur	120 V ~ 60 Hz 70 W
Sortie du chargeur	24 V D.C. 2.5 A
Temps de chargement	200 minutes (pour 24LB8006-CN)

\* La tension initiale maximale de la batterie (mesurée sans charge de travail) est de 24 volts.  
La tension nominale est de 21,6 volts.

# CARACTÉRISTIQUES TECHNIQUES

## ÉMISSIONS SONORES MESURÉES DANS L'ENVIRONNEMENT EN TANT QUE PUISSANCE ACOUSTIQUE

FR

Niveau de puissance acoustique ( $L_{WA}$ ) mesuré	64 dB(A)
Incertitudes concernant les émissions sonores $K_{WA}$	3 dB(A)
Niveau de puissance acoustique ( $L_{WA}$ ) garanti	68 dB(A)
Niveau de pression acoustique ( $L_{pA}$ ) à l'oreille de l'opérateur	57 dB(A)

Les déclarations d'émissions sonores sont conformes à la norme EN 50636-2-107:2015.

Émissions sonores dans l'environnement mesurées en puissance acoustique ( $L_{WA}$ ) conformément à la directive européenne 2000/14/CE. Le niveau de puissance acoustique garanti inclut les variations de production ainsi que les variations par rapport au code d'essai de 1 à 3 dB(A).

Incertitudes sur la pression acoustique  $K_{pA}$ , 2-4 dB(A)

## À PROPOS DE CE PRODUIT

Merci d'avoir choisi le robot tondeuse LawnMaster® VBRM601YCM AD. Cette tondeuse tondra la pelouse de manière autonome selon un schéma de coupe parallèle, sans utiliser de câble périphérique ni de station de recharge, et fonctionnera uniquement pendant les heures de clarté. La tondeuse détecte l'herbe pour savoir où tondre et est également équipée de capteurs à ultrasons qui détectent les obstacles plus élevés tels que les arbustes et les clôtures. Pour un bon fonctionnement, la pelouse doit être délimitée par des bordures plates telles que des pavés ou des bordures surélevées.

La tondeuse utilise une batterie détachable MX 24V. Elle est conçue pour être utilisée une ou deux fois par semaine pendant plusieurs heures, puis rangée dans un garage ou une remise jusqu'à ce qu'elle soit à nouveau utilisée. Elle peut tondre environ 250 m<sup>2</sup> avec une seule charge, en fonction de l'état de la pelouse. Une herbe trop longue ou trop humide peut avoir un impact sur les performances. Il est donc important de maintenir un programme de tonte régulier afin de maîtriser la croissance et d'obtenir une pelouse soignée.

# CARACTÉRISTIQUES TECHNIQUES

---

FR

## PREMIÈRE OPÉRATION

Le VBRM601YCM AD est conçu pour détecter l'herbe et se déplacer dans les zones qu'il identifie comme étant de l'herbe. S'il ne voit pas de limite claire, il continuera à se déplacer dans des zones hors de la pelouse et dans des plantes qu'il peut identifier comme étant de l'herbe. Le fait de tailler la bordure de la pelouse à l'aide d'un coupe-herbe avant l'utilisation permet de mieux définir la bordure de la pelouse. Lors de la première utilisation sur une nouvelle pelouse, il est important de surveiller le robot lorsqu'il détecte les bordures pour voir où la définition des limites doit être améliorée. Nos instructions ont été rédigées pour vous aider à obtenir les meilleurs résultats et fournissent également des idées utiles pour les limites temporaires ainsi que des exemples sur la façon de définir une meilleure bordure de pelouse en toutes saisons.

**POUR VOTRE SÉCURITÉ : LISEZ ATTENTIVEMENT ET COMPRENEZ TOUTES LES INSTRUCTIONS.**

# INSTRUCTIONS IMPORTANTES EN MATIÈRE DE SÉCURITÉ

FR

## IMPORTANT!

### VEUILLEZ LIRE ATTENTIVEMENT AVANT D'UTILISER L'APPAREIL. À CONSERVER POUR TOUTE RÉFÉRENCE ULTÉRIEURE FORMATION

- Lisez attentivement les instructions. Familiarisez-vous avec les commandes et l'utilisation correcte de la machine.
- Ne laissez jamais des personnes ne connaissant pas ces instructions ou des enfants utiliser la machine. Les réglementations locales peuvent limiter l'âge de l'opérateur.
- L'opérateur ou l'utilisateur est responsable des accidents ou des risques encourus par d'autres personnes ou leurs biens.
- L'opérateur ou l'utilisateur est tenu d'informer ses voisins des risques encourus. Gardez une distance de sécurité par rapport à la machine lorsque vous l'utilisez
- Si votre pelouse est ouverte sur la rue et/ou sur vos voisins, vous devez être présent pendant le fonctionnement de la tondeuse afin d'empêcher les autres d'accéder à votre pelouse. Sinon, vous devez protéger votre pelouse ou la clôturer de manière à ce que les autres n'aient pas accès à la tondeuse pendant qu'elle fonctionne.
- Cet appareil n'est pas conçu pour être utilisé par des personnes (y compris des enfants) à capacités physiques, sensorielles ou intellectuelles réduites ou sans expérience ni connaissances, à moins qu'elles ne soient sous surveillance ou qu'elles n'aient été informées quant à l'utilisation de l'appareil par une personne responsable de leur sécurité. Les enfants doivent rester sous surveillance afin de s'assurer qu'ils ne jouent pas avec l'appareil.



## AVERTISSEMENT

La tondeuse robot peut être dangereuse si elle n'est pas utilisée correctement.

---



## AVERTISSEMENT

N'utilisez jamais la tondeuse robot lorsque des personnes, en particulier des enfants ou des animaux, se trouvent dans la zone de tonte.

---

## PRÉPARATION

- Assurez-vous que la zone de la pelouse est définie comme indiqué dans les sections
- Préparation de la zone de tonte et Définition de la zone de tonte. Inspectez régulièrement la zone d'utilisation de la machine et retirez toutes les pierres, bâtons, fils, jouets d'animaux et autres objets étrangers.
- Procédez périodiquement à une inspection visuelle pour vérifier que les lames, les boulons de lame et le système de tonte ne sont pas usés ou endommagés. Remplacez les lames et les boulons usés ou endommagés par séries afin de préserver l'équilibre.
- Sur les machines à plusieurs axes, faites attention car la rotation d'une lame peut entraîner la rotation des autres lames.

# INSTRUCTIONS IMPORTANTES EN MATIÈRE DE SÉCURITÉ

## FR OPÉRATION

- Ne laissez pas la machine fonctionner sans surveillance si vous savez qu'il y a des animaux domestiques, des enfants ou des personnes à proximité.
- N'utilisez jamais la machine si les protections sont défectueuses ou si les dispositifs de sécurité, par exemple les déflecteurs, ne sont pas en place.
- Ne mettez pas les mains ou les pieds à proximité de ou sous les pièces en rotation. Ne touchez pas les pièces dangereuses en mouvement avant qu'elles ne soient complètement arrêtées.
- Ne soulevez ou ne portez jamais une machine lorsque le moteur est en marche.
- Retirez toujours la clé de sécurité et la batterie :
  - Avant d'éliminer un blocage ;
  - Avant de vérifier, de nettoyer ou de travailler sur la machine.
- Il est interdit de modifier la conception originale de la tondeuse. Toute modification est effectuée à vos risques et périls.
- Évitez d'utiliser la tondeuse et ses accessoires par mauvais temps, en particulier lorsqu'il y a un risque de foudre.
- N'utilisez pas la tondeuse à d'autres fins que la tonte du gazon.
- En cas d'accident ou de panne pendant le fonctionnement de la tondeuse, appuyez immédiatement sur le bouton STOP.
- Ne placez rien sur la tondeuse. Ne laissez jamais des personnes ou des animaux s'asseoir sur la tondeuse.
- N'utilisez pas la tondeuse si l'interrupteur marche/arrêt ne fonctionne pas.
- N'utilisez pas la tondeuse lorsqu'un système d'arrosage est en marche. Veillez à ce que la tondeuse et le système d'arrosage ne fonctionnent pas en même temps. Ne lavez pas la tondeuse à l'eau courante et ne l'immergez pas dans l'eau. Ce produit n'est pas imperméable à l'eau.
- Éteignez toujours la tondeuse en retirant la clé de sécurité lorsqu'elle n'est pas utilisée.
- La tondeuse robot ne doit jamais être stockée, utilisée ou chargée à des températures inférieures à 0°C (32°F) ou supérieures à 50°C (122°F). Cela pourrait endommager le produit ou la batterie.
- Ne tondez qu'à la lumière du jour ou sous un bon éclairage artificiel. La tondeuse a besoin d'une bonne lumière pour identifier correctement la zone à tondre.
- Évitez d'utiliser la machine dans de l'herbe très longue ou mouillée.
- N'utilisez jamais la machine dans des environnements explosifs et/ou inflammables.
- N'utilisez pas la machine lorsque vous êtes pieds nus ou que vous portez des sandales ouvertes. Portez toujours des chaussures solides et un pantalon long.
- Assurez-vous toujours de votre équilibre sur les pentes.
- Mettez toujours le moteur en marche conformément aux instructions, en gardant les pieds à l'écart de la ou des lames.
- Des panneaux d'avertissement doivent être placés autour de la zone de travail de la tondeuse robot si celle-ci est utilisée dans des lieux publics. Les panneaux doivent comporter le texte suivant :  
Avertissement! Tondeuse à gazon automatique! Ne vous approchez pas de la machine! Surveillez les enfants!

## MAINTENANCE ET ENTREPOSAGE

- Veillez à ce que tous les écrous, boulons et vis soient bien serrés afin de vous assurer que la machine fonctionne en toute sécurité.
- Remplacez les pièces usées ou endommagées pour plus de sécurité.
- N'utilisez que les lames de rechange recommandées par le fabricant.

# INSTRUCTIONS IMPORTANTES EN MATIÈRE DE SÉCURITÉ

FR

- En cas de contact avec des électrolytes provoqué par une fuite de la batterie, rincez la zone affectée avec de l'eau ou un agent neutralisant pendant plusieurs minutes. Consultez un médecin en cas d'ingestion, de contact avec les yeux ou d'irritation cutanée persistante.
- L'entretien de la machine doit être effectué conformément aux instructions du fabricant.
- En cas de vibrations anormales, arrêtez la tondeuse, retirez la clé de sécurité et la batterie et vérifiez que la lame n'est pas endommagée. Remplacez une lame usée ou endommagée pour préserver l'équilibre. Si les vibrations persistent, contactez le service à la clientèle.
- Utilisez des gants épais lors de l'inspection ou de l'entretien des lames.
- Le nettoyage et l'entretien ne doivent pas être effectués par des enfants sans surveillance.
- N'utilisez pas la tondeuse si la lame de tonte est endommagée. Remplacez la lame de tonte.
- N'utilisez que des équipements et des accessoires d'origine. Il est interdit de modifier la conception originale de la tondeuse. Toute modification est effectuée à vos risques et périls.
- Retirez toujours le bloc-batterie avant de remiser la tondeuse.

## TRANSPORT

Dans la zone de travail :

- Appuyez sur le bouton STOP pour arrêter la tondeuse et retirez la clé de sécurité. Utilisez vos deux mains sous la tondeuse à l'avant et à l'arrière de la tondeuse pour la porter. Vous pouvez également porter la tondeuse à l'aide de la poignée de transport située sur le dessus du plateau de tonte. Portez la tondeuse avec le disque de lames éloigné du corps.

Longues distances :

- Lorsque vous transportez votre tondeuse sur de longues distances, appuyez sur le bouton STOP et retirez la clé de sécurité et le bloc-batterie.
- **IMPORTANT!** Il est recommandé de conserver l'emballage d'origine afin d'éviter tout dommage pendant le transport sur de longues distances.

## BLOC-BATTERIE

- Le bloc-batterie n'est compatible qu'avec les chargeurs LawnMaster® 24LFC14-ETL, 24LFC02-ETL ou 24LSC01-ETL.
- Rechargez uniquement avec le chargeur spécifié par le fabricant et mentionné dans ce manuel. Un chargeur adapté à un type de bloc-batterie peut créer un risque d'incendie lorsqu'il est utilisé avec un autre bloc-batterie.
- Ne chargez pas la batterie dans un endroit humide ou mouillé. Le respect de cette règle réduira le risque de choc électrique.
- Ne placez pas la tondeuse à gazon avec la batterie ou les batteries près d'un feu ou d'une source de chaleur. Cela réduira le risque d'explosion et de blessure.
- N'ouvrez pas et ne mutiliez pas la batterie. L'électrolyte libéré est corrosif et peut provoquer des lésions aux yeux ou à la peau. Il peut être toxique en cas d'ingestion. Des émanations peuvent se produire. Dans ce cas, il convient de se rendre dans un endroit bien ventilé, de préférence à l'extérieur, et de demander une assistance médicale en cas de malaise.
- Ne jetez pas les blocs-batteries au feu. Ils exploseraient ou couleraient et provoqueraient des blessures. Le liquide éjecté de la batterie peut provoquer des irritations ou des brûlures.
- N'écrasez pas, ne faites pas tomber et n'endommagez pas le bloc-batterie. N'utilisez pas un bloc-batterie ou un chargeur qui est tombé ou a reçu un coup violent. Une batterie endommagée est susceptible d'exploser. Mettez immédiatement au rebut de manière appropriée une batterie tombée.

# INSTRUCTIONS IMPORTANTES EN MATIÈRE DE SÉCURITÉ

FR

ou endommagée.

- Les batteries peuvent exploser en présence d'une source d'allumage, telle qu'une veilleuse. Pour réduire le risque de blessures graves, n'utilisez jamais un produit sans fil en présence d'une flamme nue. Une batterie qui explose peut projeter des débris et des produits chimiques. En cas d'exposition, rincez immédiatement à l'eau.
- Dans des conditions d'utilisation ou de température extrêmes, une fuite de la batterie peut se produire. Si le liquide entre en contact avec la peau, lavez-la immédiatement avec de l'eau et du savon. Si le liquide entre en contact avec vos yeux, rincez-les à l'eau claire pendant au moins 10 minutes, puis consultez immédiatement un médecin. Le respect de cette règle réduira le risque de blessures graves.
- Lorsque le bloc-batterie n'est pas utilisé, tenez-le éloigné d'autres objets métalliques, tels que trombones, pièces de monnaie, clés, clous, vis ou autres petits objets métalliques, qui peuvent connecter les bornes. La mise en court-circuit des bornes des piles peut provoquer des brûlures ou un incendie.
- N'exposez pas un bloc-batterie ou une tondeuse au feu ou à une température excessive. L'exposition au feu ou à une température supérieure à 130°C (265°F) peut causer une explosion.
- Ne modifiez pas et n'essayez pas de réparer la tondeuse à gazon ou le bloc-batterie (en tant qu'appareil), sauf si cela est indiqué dans les instructions d'utilisation et d'entretien.
- Suivez toutes les instructions de charge et ne chargez pas le bloc-batterie ou la tondeuse en dehors de la plage de température spécifiée dans les instructions. Une charge incorrecte ou à des températures en dehors de la plage spécifiée peut endommager la batterie et augmenter le risque d'incendie.
- Tous les entretiens de l'outil doivent être effectués par un réparateur qualifié qui n'utilisera que des pièces de rechange identiques. Cela permettra de garantir la sécurité du produit.

## CHARGEUR DE BATTERIE

- Ce chargeur n'est compatible qu'avec les batteries lithium-ion LawnMaster® 24LB8006-CN, 24LB4005-C, 24LB1304, 24LB2004, 24LB2605, ou 24LB4005.
- Pour réduire les risques de blessures, ne chargez que les batteries rechargeables lithium-ion spécifiées. D'autres types de batteries risquent d'éclater et de provoquer des blessures ou des dommages.
- Gardez le cordon et le chargeur à l'abri de la chaleur pour éviter d'endommager le boîtier ou les pièces internes.
- N'utilisez pas le chargeur avec un cordon ou une fiche endommagé(e), ce qui pourrait provoquer un court-circuit et un choc électrique. Si le chargeur est endommagé, cessez immédiatement de l'utiliser. Remplacez le chargeur par un appareil identique, comme indiqué dans la liste des pièces de ce manuel.
- N'utilisez pas un chargeur qui est tombé ou qui a reçu un coup violent.
- Ne démontez pas le chargeur. Confiez-le à un centre de service qualifié pour qu'il soit vérifié ou remplacé. Un réassemblage incorrect peut entraîner un risque d'électrocution ou d'incendie.
- N'abusez pas du cordon du chargeur. N'utilisez jamais le cordon pour transporter, tirer.
- Gardez le cordon à l'écart de la chaleur, de l'huile, des bords tranchants ou des pièces mobiles. Les cordons endommagés ou enchevêtrés augmentent le risque d'électrocution. Si le cordon du chargeur est endommagé, remplacez le chargeur par un modèle identique, comme indiqué dans ce manuel.
- Un chargeur adapté à un type de bloc-batterie peut créer un risque d'incendie lorsqu'il est utilisé avec un autre bloc-batterie.

# INSTRUCTIONS IMPORTANTES EN MATIÈRE DE SÉCURITÉ

FR

- Chargez la batterie à une température de charge normale comprise entre 4°C (40°F) et 38°C (100°F).

## FIN D'UTILISATION DU PRODUIT

- La tondeuse et ses accessoires doivent être recyclés correctement à la fin de leur vie afin d'éviter que les déchets d'équipements électriques et électroniques ne se retrouvent dans les décharges, et afin de protéger et d'améliorer la qualité de l'environnement.
- Ne jetez pas la tondeuse ou l'une de ses pièces avec les déchets municipaux non triés - ils doivent être collectés séparément.
- Ne jetez pas le bloc-batterie au feu et ne mettez pas les batteries usagées dans vos ordures ménagères.
- Éliminez les batteries conformément aux réglementations locales, où elles seront recyclées dans le respect de l'environnement.

## CONFORMITÉ À LA FCC (Federal Communications Commission)

- Ce dispositif est conforme à la partie 15 des règles du FCC. Son fonctionnement est soumis aux deux conditions suivantes :
  - Cet appareil ne doit pas provoquer d'interférences nuisibles, et
  - Cet appareil doit accepter toute interférence reçue, y compris les interférences susceptibles de provoquer un fonctionnement indésirable.
- **REMARQUE:** Cet équipement a été examiné et s'est avéré être conforme aux limites pour un dispositif numérique de la classe B, conformément à la Partie 15 des règles du FCC. Ces limites sont conçues pour assurer la protection raisonnable contre une interférence dommageable dans une installation résidentielle.
- Cet équipement génère, utilise et peut émettre une énergie de fréquence radio et, s'il n'est pas installé et utilisé conformément aux instructions, il peut causer des interférences nuisibles aux communications radio. Cependant, il n'y a aucune garantie que l'interférence ne se produira pas dans une installation particulière. Si cet équipement cause une interférence dommageable à la réception d'une radio ou d'une télévision, laquelle peut être déterminée en allumant ou éteignant l'équipement, l'utilisateur est encouragé à essayer de corriger l'interférence par une ou plusieurs des mesures suivantes:
  - Réorienter ou replacer l'antenne de réception.
  - Augmenter la séparation entre l'équipement et le récepteur.
  - Brancher l'équipement sur une prise de courant située sur un circuit différent de celui du récepteur.
  - Consulter le revendeur ou un technicien expérimenté de radio/TV pour de l'aide.












## CONSERVEZ CES INSTRUCTIONS

Consultez-les fréquemment et utilisez-les pour instruire les personnes susceptibles d'utiliser cet appareil. Si vous prêtez cet appareil à quelqu'un, prêtez-lui également ces instructions.

# SYMBOLES


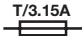






FR

Certains des symboles suivants peuvent être utilisés sur ce produit. Veuillez les étudier et apprendre leur signification. Une interprétation correcte de ces symboles vous permettra d'utiliser le produit de manière plus efficace et plus sûre.

SYMBOLE	DÉSIGNATION/EXPLICATION
	AVERTISSEMENT - La tondeuse robot peut être dangereuse si elle n'est pas utilisée correctement.
	Lisez le manuel d'instructions avant d'utiliser la machine
	Tenez les passants à l'écart.
	Retirez la clé de sécurité avant de travailler sur la machine ou de la soulever.
	Utilisez la clé de sécurité avant de travailler sur la machine ou de la soulever.
	Ne montez pas sur la machine
	Attendez que toutes les pièces mobiles soient complètement arrêtées avant de les toucher. La lame peut continuer à tourner après l'arrêt de l'appareil. Une lame en rotation peut provoquer des blessures.
	Ne lavez pas et n'immergez pas l'appareil dans l'eau.
	AVERTISSEMENT! Méfiez-vous des chocs électriques.
	Classe de protection II (double isolation)
	Machines de classe III.

# SYMBOLES




FR

SYMBOLE	DÉSIGNATION/EXPLICATION
	Ne rechargez les blocs-batteries qu'à l'intérieur, à l'aide du chargeur fourni.
	Fuseau
	Les appareils électriques ne doivent pas être jetés avec les ordures ménagères.
	Les batteries contiennent du lithium-ion. Ne jetez pas les batteries avec les ordures ménagères.
	Ne jetez pas les blocs-batteries dans les rivières et ne les immergez pas dans l'eau.
	Ne jetez pas les blocs-batteries dans des contenants qui explosent ou fuient et causent des blessures. .
	N'exposez pas les blocs-batteries à une chaleur supérieure à 60 °C (140 °F).
	Recyclez les déchets électriques d'une manière respectueuse de l'environnement lorsque des installations existent.

# SYMBOLES

FR

Les mots-indicateurs suivants et leur signification ont pour but d'expliquer les niveaux de risque associés à ce produit.

SYMBOLE	SIGNAL	SIGNIFICATION
	<b>DANGER</b>	Indique une situation dangereuse imminente qui, si elle n'est pas évitée, entraînera la mort ou des blessures graves.
	<b>AVERTISSEMENT</b>	Indique une situation potentiellement dangereuse qui, si elle n'est pas évitée, peut entraîner la mort ou des blessures graves.
	<b>ATTENTION</b>	Indique une situation potentiellement dangereuse qui, si elle n'est pas évitée, peut entraîner des blessures mineures ou modérées.
	<b>ATTENTION</b>	(Sans symbole d'alerte de sécurité) Indique une situation pouvant entraîner des dommages matériels.

## ENTRETIEN

L'entretien nécessite une attention et des connaissances extrêmes et ne doit être effectué que par un technicien qualifié. Lors de l'entretien, n'utilisez que des pièces de rechange identiques.

Pour le dépannage ou le remplacement, veuillez appeler le service clientèle (numéro gratuit 1-866-384-8432).

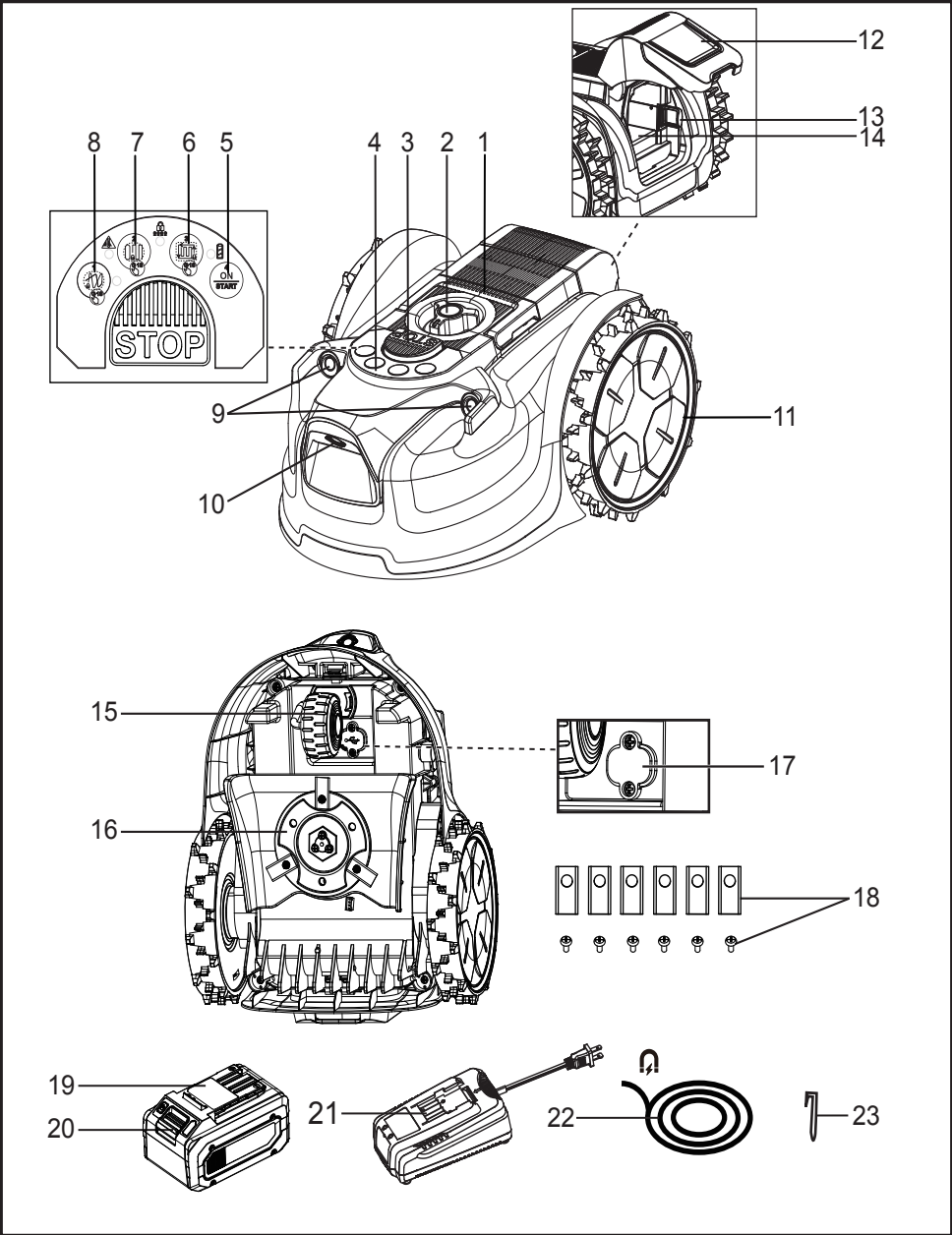
## **AVERTISSEMENT**

Pour éviter des blessures graves, n'essayez pas d'utiliser ce produit avant d'avoir lu et compris entièrement le manuel de l'opérateur.

Si vous ne comprenez pas les avertissements et les instructions du manuel d'utilisation, n'utilisez pas ce produit. Appelez le service à la clientèle pour obtenir de l'aide (numéro gratuit 1-866-384-8432).

# CONNAÎTRE SA TONDEUSE ROBOT

FR



# CONNAÎTRE SON ROBOT TONDEUSE

---

FR

## Composants

- |   |  |                                       |
|---|--|---------------------------------------|
| 1. Poignée de transport                         | 10. Caméra de détection de pelouse               | 20. Bouton d'ouverture de la batterie |
| 2. Bouton de réglage de la hauteur de coupe     | 11. Roue arrière                                 | 21. Chargeur de batterie              |
| 3. Bouton STOP                                  | 12. Couvercle du compartiment à piles            | 22. Bande magnétique (5m, X3)         |
| 4. Panneau de contrôle                          | 13. Clé de sécurité                              | 23. Piquet à bande magnétique (X30)   |
| 5. Bouton START/ON                              | 14. Compartiment à piles                         |                                       |
| 6. Bouton de tonte parallèle automatique        | 15. Roue avant                                   |                                       |
| 7. Bouton de tonte parallèle partielle/manuelle | 16. Disque de lame                               |                                       |
| 8. Bouton de tonte aléatoire                    | 17. Port USB (recouvert d'un capuchon en résine) |                                       |
| 9. Détecteurs d'objets à ultrasons              | 18. Lame de rechange et vis (X6)                 |                                       |
|   | 19. Batterie                                     |                                       |

## CONNAÎTRE SON ROBOT TONDEUSE

L'utilisation en toute sécurité de ce produit nécessite une bonne compréhension des informations figurant sur le produit et dans ce manuel d'utilisation, ainsi qu'une bonne connaissance du projet que vous essayez d'utiliser. Avant d'utiliser ce produit, familiarisez-vous avec toutes les caractéristiques de fonctionnement et les règles de sécurité.

# ASSEMBLAGE

---

## DEBALLAGE

Ce produit a été expédié complètement assemblé.

- Retirez soigneusement le produit et les accessoires éventuels de la boîte. Assurez-vous que tous les éléments énumérés dans la liste d'emballage sont inclus.
- Inspectez soigneusement le produit pour vous assurer qu'il n'a pas été cassé ou endommagé pendant le transport.
- Ne jetez pas le matériel d'emballage avant d'avoir soigneusement inspecté le produit et de l'avoir utilisé de manière satisfaisante.
- Si des pièces sont endommagées ou manquantes, n'utilisez pas le produit. Veuillez appeler le service clientèle (numéro gratuit 1-866-384-8432).

FR

---

## AVERTISSEMENT

N'utilisez pas ce produit si l'une des pièces figurant sur la liste d'emballage est déjà montée sur votre produit lorsque vous le déballez. Les pièces figurant sur la liste d'emballage ne sont pas montées sur le produit et doivent être installées par le client. L'utilisation d'un produit qui n'a pas été correctement assemblé peut entraîner des blessures graves.

Assurez-vous que la clé de sécurité n'est pas en place avant d'installer la batterie.

---

## LISTE D'EMBALLAGE

- (1) Tondeuse robotisée
- (1) Clé de sécurité (fixée à l'intérieur du compartiment de la batterie de la tondeuse)
- (3) Bande magnétique (5 m)
- (30) Piquets à bande magnétique
- (9) Lames et vis (3 préinstallées sur le disque de lames)
- (1) Batterie au lithium-ion 24V Max\* 8,0 Ah
- (1) Chargeur de batterie 24V Max
- (1) Manuel de l'opérateur

## INSTALLATION/DÉPOSE DU BLOC-BATTERIE

---

## AVERTISSEMENT

IMPORTANT ! Le bloc-batterie n'est pas chargé à l'achat. Avant d'utiliser la tondeuse, lisez toutes les consignes de sécurité et suivez les instructions de la section Bloc-batterie et chargeur. En cas d'utilisation régulière, le temps de charge sera plus court. En cas de stockage prolongé, retirez la batterie. Lorsque vous êtes prêt à l'utiliser à nouveau, chargez la batterie.

---

# ASSEMBLAGE

FR

## Pour installer la batterie :

1. Soulevez le couvercle du compartiment à piles.
  2. Alignez les rails de support situés dans le compartiment de la batterie avec les guides du bloc-batterie, puis insérez le bloc-batterie dans le compartiment (Fig. 1).
  3. Poussez la batterie jusqu'à ce que vous entendiez un "clac".
  4. Insérez la clé de sécurité dans les trous de serrure situés près du compartiment des piles (Fig. 2).
- REMARQUE** : La clé de sécurité ne s'insère dans les trous de serrure que dans un seul sens. Ne la forcez pas.
5. Fermez le couvercle du compartiment à piles.

**REMARQUE** : Assurez-vous que le bloc-batterie s'enclenche fermement et qu'il est fixé à la tondeuse avant de commencer à l'utiliser.

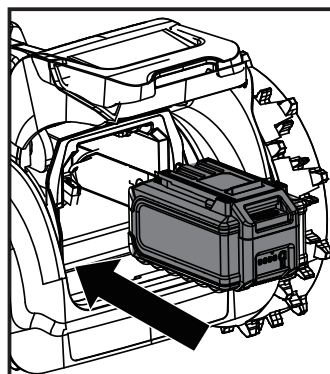


Fig. 1

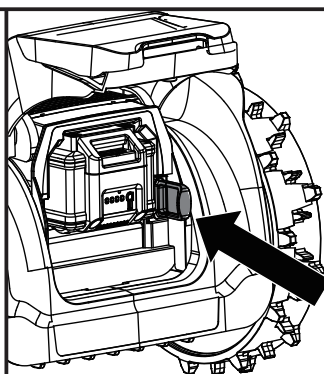


Fig. 2

## Pour retirer la batterie :

1. Arrêtez la tondeuse. Soulevez le couvercle du compartiment de la batterie et retirez la clé de sécurité.
2. Appuyez sur le bouton de déverrouillage de la batterie (1) et maintenez-le enfoncé, saisissez fermement la batterie et sortez-la (2) de son compartiment (Fig. 3).
3. Fermez le couvercle du compartiment à piles.

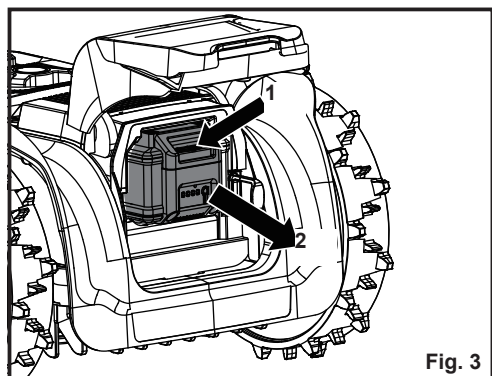


Fig. 3

# BLOC-BATTERIE ET CHARGEUR

FR


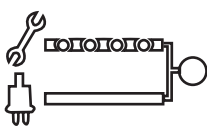

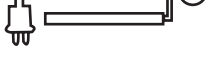



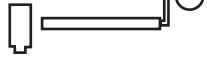
## CHARGE DE LA BATTERIE

1. A utiliser uniquement avec les chargeurs de batterie 24V LawnMaster®. Le chargeur de batterie fourni est spécialement conçu pour la batterie lithium-ion utilisée dans cet appareil de jardin.
2. Vérifiez la tension d'alimentation ! Les chargeurs de batterie fonctionnent sur 120 V.
3. La batterie est chargée entre 4°C (40°F) et 38°C (100°F). Cela garantit une durée de vie optimale de la batterie.
4. Protégez la batterie de la chaleur, d'une exposition continue au soleil et tenez-la à l'écart des radiations ou d'autres sources de chaleur. Ne laissez pas la batterie dans la tondeuse en plein soleil pendant de longues périodes.
5. La batterie est livrée partiellement chargée. Pour garantir la pleine capacité de la batterie, chargez-la avant d'utiliser votre appareil pour la première fois. La batterie lithium-ion peut être rechargée à tout moment sans réduire sa durée de vie. L'interruption de la procédure de charge n'affecte pas la batterie

## ÉTAT DU CHARGEUR

1. Si la batterie n'est pas insérée dans le chargeur, **un voyant rouge continu** indique que le chargeur est branché sur une prise de courant et qu'il est prêt à commencer la charge.
2. Chargement : **Un voyant vert clignotant** sur le chargeur indique que la batterie se charge normalement.
3. Chargée : **Un voyant vert continu** sur le chargeur indique que la batterie est prête à l'emploi.

Les voyants lumineux du chargeur indiquent l'état du chargeur :

Symbole	Voyants lumineux	Statut
		Rouge, clignotant Chargement interrompu, voir les instructions ci-dessous.
		Rouge, continu Connecté à l'alimentation électrique (Standby)
		Vert, clignotant Chargement
		Vert, continu Entièrement chargé

4. Le chargeur intelligent garantit une durée de vie maximale de la batterie, car il mesure le niveau de charge existant de la batterie et la charge avec le courant et la tension nécessaires. Chargez complètement la batterie avant de la stocker.
5. **Problème technique** : **Un voyant rouge clignotant** sur le chargeur indique que la batterie a un problème de charge ou qu'elle est peut-être défectueuse.

# BLOC-BATTERIE ET CHARGEUR

FR

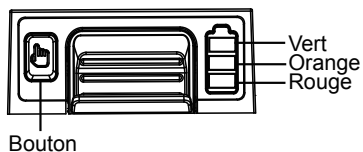
- a) Une condition possible est que la température de la batterie ne se situe pas dans la plage de température de charge comprise entre 40°F (4°C) et 104°F (40°C). Dès que la température autorisée est atteinte, le chargeur de batterie passe automatiquement en mode de charge.
  - b) Si la plage de température est correcte et que le clignotement du voyant rouge se poursuit, retirez et réinstallez la batterie. Si l'état de la DEL se répète une deuxième fois, essayez de charger une autre batterie identique. Si la batterie se charge normalement, éliminez la batterie défectueuse (voir la section sur l'élimination des batteries dans le respect de l'environnement).
  - c) Si le voyant rouge clignotant continue à clignoter après l'installation de la deuxième batterie (assurez-vous que la température de la batterie est normale), le chargeur peut être défectueux. Remplacez-le par un nouveau.
6. Après des cycles de charge continus ou répétés sans interruption, le chargeur peut chauffer. Ce phénomène est normal et n'indique pas un défaut technique du chargeur de batterie.

## PANNEAU LED DE LA BATTERIE

1. Le panneau se compose de 3 LED sur la batterie. Appuyez sur le bouton et maintenez-le enfoncé, puis relâchez-le, les DEL vous indiqueront les niveaux de charge.
2. Le niveau de charge de la batterie peut être vérifié soit lorsque la batterie est fixée sur le chargeur/tondeuse, soit lorsqu'elle est retirée du chargeur/tondeuse.

DEL sur la batterie (éclairage continu)	Capacité de la batterie
3 LED	Entièrement chargé
2 LED (orange et rouge)	≥40 %
1 LED (rouge uniquement)	<40 % (recharge nécessaire).

### Les voyants lumineux



## CHARGEMENT DE LA BATTERIE

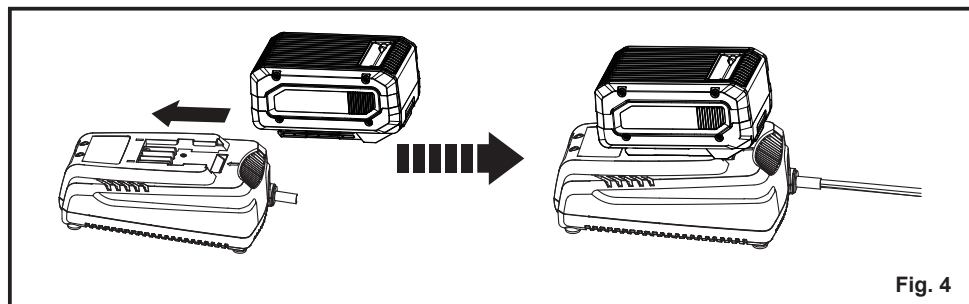


Fig. 4

# BLOC-BATTERIE ET CHARGEUR

---



## AVERTISSEMENT

FR

Si une pièce du chargeur est manquante ou endommagée, ne l'utilisez pas ! Remplacez le chargeur par un neuf. Le non-respect de cet avertissement peut entraîner des blessures graves. Vérifiez la tension ! La tension doit être conforme aux informations figurant sur la plaque signalétique.

---

1. Alignez la fente de la batterie sur le rail du chargeur. Faites glisser la batterie sur le rail jusqu'à ce qu'elle se fixe en place (Fig. 4).
2. Connecter le chargeur à l'alimentation électrique.
3. Laissez un temps de charge suffisant (voir les spécifications), puis débranchez le chargeur de l'alimentation électrique.
4. Appuyez sur le bouton de déverrouillage de la batterie et retirez-la du chargeur.

**REMARQUE :** Il est normal que la batterie et le chargeur deviennent chauds (mais pas brûlants) pendant le processus de charge. Si la batterie ne se charge pas correctement, vérifiez que la prise électrique est opérationnelle. Chargez toujours la batterie avant de la stocker !

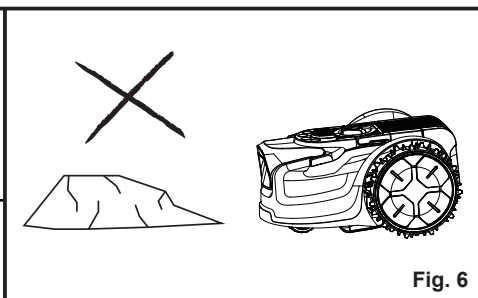
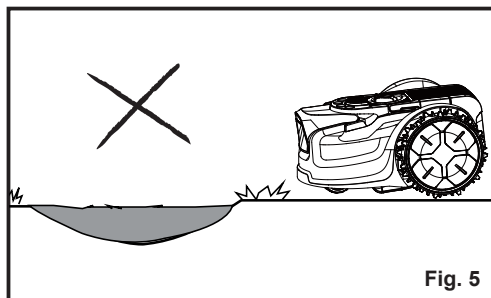
# FONCTIONNEMENT

## FR PRÉPARATION DE LA ZONE À FAUCHER

### Surface de la pelouse

1. La surface de la pelouse doit être aussi uniforme que possible. Les zones dénudées et les feuilles peuvent perturber le fonctionnement de la tondeuse. Enlevez les feuilles à intervalles réguliers et réparez les zones mortes avec des graines de gazon.
2. Inspectez la pelouse pour repérer les trous et les creux. Remplissez-les avec de la terre végétale pour éviter que l'eau de pluie ne forme des flaques d'eau sur la pelouse et que la tondeuse ne s'enlise. La tondeuse peut être endommagée si elle est utilisée dans des flaques d'eau (Fig. 5).
3. S'il y a des pierres sur la pelouse qui peuvent endommager la tondeuse, elles doivent être enlevées ou exclues de la zone de travail (Fig. 6).

**REMARQUE :** Cette tondeuse n'est pas conçue pour couper des zones excessivement longues, envahies par la végétation ou négligées. Pour de meilleures performances, tondez ou coupez l'herbe jusqu'à 60 mm avant de l'utiliser. Ne laissez pas l'herbe pousser trop longtemps entre deux utilisations.



## DÉFINITION DE LA ZONE À FAUCHER

Les bords de la pelouse doivent être clairement définis par des bordures plates ou des barrières surélevées pour que cette tondeuse fonctionne correctement.

1. Les limites visuelles doivent avoir un aspect différent de celui de la pelouse, c'est pourquoi les changements de couleur et de texture sont très efficaces.
2. Les limites physiques permettent d'arrêter la faucheuse lorsqu'il n'est pas possible d'établir une limite visuelle.
3. Des limites physiques temporaires peuvent être utilisées pendant que la définition des limites de la pelouse est améliorée.
4. La tondeuse fonctionne mieux sur des pelouses de forme géométrique simple. Dans des conditions complexes, il se peut que la tondeuse laisse certaines zones non tondues ou mal tondues en mode de tonte parallèle automatique. Dans ce cas, utilisez le mode de tonte parallèle partielle/manuelle pour terminer la tonte.
5. Avant d'utiliser le mode de tonte parallèle automatique, retirez les obstacles excessifs de la pelouse. S'ils ne peuvent pas être retirés, il est recommandé d'utiliser le mode de tonte aléatoire.
6. Lorsque la pelouse présente une grande quantité d'herbe jaune/brune (par exemple en automne) ou des zones irrégulières, il est recommandé d'utiliser le mode de tonte aléatoire.

Le robot de tonte est équipé des dispositifs suivants qui lui permettent de détecter les bordures et de savoir où tondre :

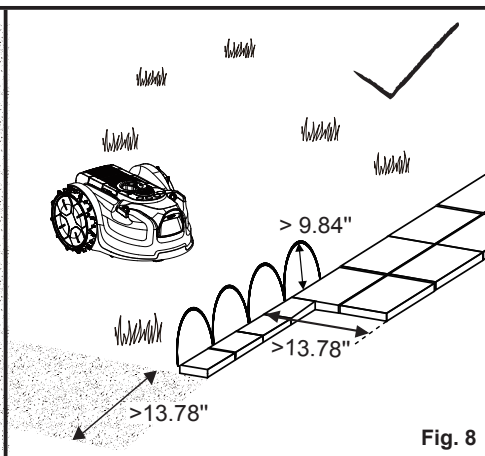
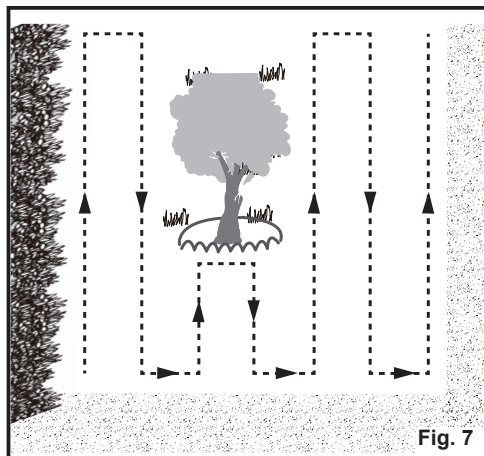
- La caméra de détection de pelouse : Permet de reconnaître les changements de type de surface, par exemple de la pelouse au pavage.

# FONCTIONNEMENT

FR

- Deux capteurs d'objets à ultrasons : pour détecter les obstacles d'une hauteur supérieure à 25 cm. Ils sont activés par défaut et détectent les plantes, les arbustes et autres obstacles sur les bords de la pelouse. Pour une coupe régulière, l'herbe longue doit être coupée avant la tonte, ou les capteurs à ultrasons doivent être désactivés.

Si la tondeuse robotisée rencontre un obstacle tel qu'un arbre ou une bordure fleurie, elle tournera et se déplacera horizontalement sur une courte distance avant de poursuivre la tonte en parallèle (illustration 7). Cela peut entraîner la présence d'une zone non tondue derrière l'obstacle, qui devra ensuite être tondue en mode manuel. Pour permettre à la tondeuse robotisée de se déplacer librement dans la pelouse, celle-ci doit être correctement vérifiée et ajustée afin que la tondeuse robotisée dispose de suffisamment d'espace pour reconnaître la présence d'un obstacle. Suivez attentivement les instructions ci-dessous pour connaître les types de bordures/protections qui peuvent/ne peuvent pas être utilisés pour définir la zone de travail.



## Pavage

La pelouse a besoin d'un bord pavé ou en bois d'au moins 35 cm de large pour s'arrêter en toute sécurité et changer de direction.

Les bords pavés ou en bois d'une largeur inférieure à 35 cm doivent être élargis ou peuvent être utilisés avec une barrière. Voir la section Barrière surélevée ci-dessous (Fig. 8).

## Barrière surélevée

Lorsque les capteurs à ultrasons sont activés, une barrière périmétrique d'une hauteur supérieure à 25 cm peut être utilisée pour délimiter la zone de travail. Les capteurs à ultrasons détectent la barrière et changent de direction.

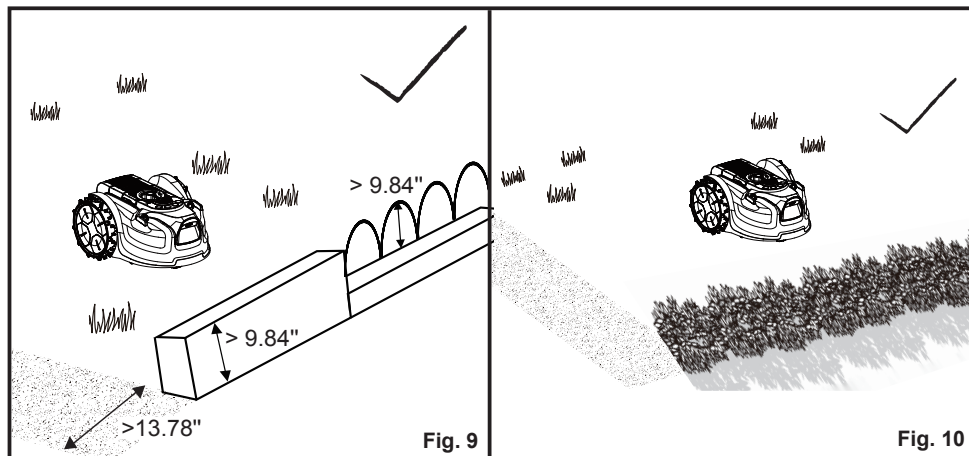
Si une barrière existante est plus courte que 25 cm (9,84\"), remplacez-la ou surélevez-la, ou ajoutez un pavage supplémentaire (Fig. 9).

# FONCTIONNEMENT

## FR Couverture

Lorsque les capteurs à ultrasons sont activés, les haies peuvent être utilisées pour définir la zone de travail (Fig. 10).

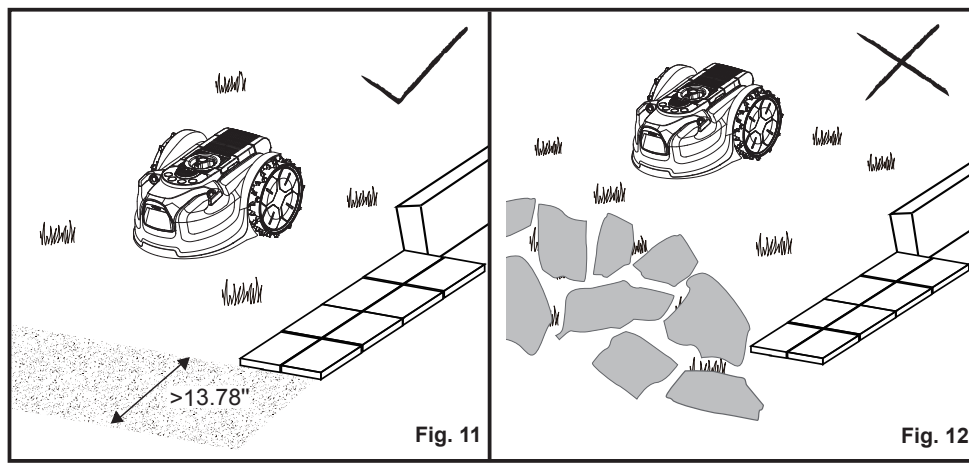
**REMARQUE :** le feuillage est généralement reconnu comme de l'herbe par le robot tondeur. Par conséquent, les capteurs à ultrasons doivent toujours être activés lorsque des haies sont utilisées pour délimiter la zone de travail.



## Gravier fin

Si vous utilisez du gravier fin ou de petites pierres pour border la pelouse, assurez-vous que la largeur de la bordure est supérieure à 35 cm et que ses bords sont nets (Fig. 11).

**REMARQUE :** N'utilisez jamais de gravier, de pierres ou de matériaux similaires aux bords irréguliers pour délimiter la zone de travail (Fig. 12). Si les bords ne sont pas clairs, la tondeuse quittera la zone de tonte et les lames seront endommagées.



# FONCTIONNEMENT

FR

## Barrières physiques anti-chocs

Il est également possible d'utiliser une bordure qui entrave physiquement le mouvement de la tondeuse. Cette frontière peut être plus basse que 25 cm (9,84") pour être indétectable par les capteurs d'objets à ultrasons, et plus étroite que 35 cm (13,78"). Lorsque le robot rencontre cette barrière physique, il s'arrête, recule et tourne. Ce type de barrière peut convenir à votre pelouse dans certaines zones.

## Barrières physiques temporaires

Lors de la première utilisation, pendant l'ensemencement des parcelles de gazon ou avec les fleurs saisonnières, il peut être souhaitable d'utiliser une méthode temporaire pour protéger ou délimiter la zone de gazon à couper par la tondeuse. Dans ce cas, les cannes de jardin sont particulièrement efficaces et ne nuisent pas à l'aspect de la pelouse. Au printemps, vous pouvez protéger les bulbes de fleurs de la tondeuse en enfonçant verticalement de courtes cannes dans la pelouse autour de la zone, espacées de 7,87" (20 cm). La tondeuse ne pourra pas pénétrer dans les zones protégées.

## Bande magnétique

La bande magnétique sert de limite mobile et temporaire pour créer des zones où la tondeuse robotisée n'est pas autorisée à tondre.

La tondeuse robotisée est équipée d'un capteur de bande magnétique qui lui permet de reconnaître une bande magnétique posée au sol. Lorsque la tondeuse robotisée rencontre une bande magnétique pendant la tonte du périmètre, elle tond en suivant la bande magnétique.

1. Placez la bande magnétique à quelques centimètres de la zone ou de l'objet en question.
2. Assurez-vous que la limite extérieure de la zone de fauche est définie par une séparation optique ou physique.
3. Fixez la bande magnétique au sol à l'aide des piquets fournis, espacés de 39,37" (1 m).
4. Ne faites pas passer la bande magnétique en dehors de la zone de pelouse. La tondeuse pourrait suivre la bande magnétique et rester bloquée (illustration 13).

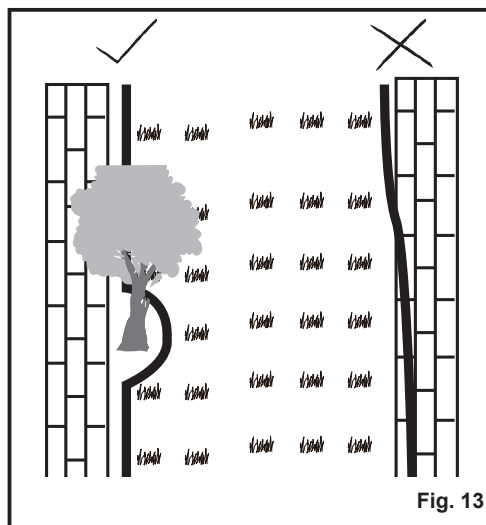


Fig. 13

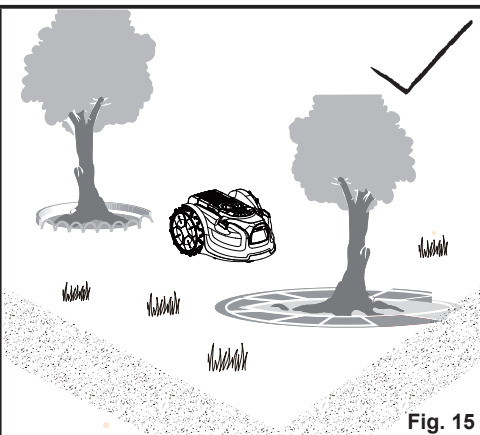
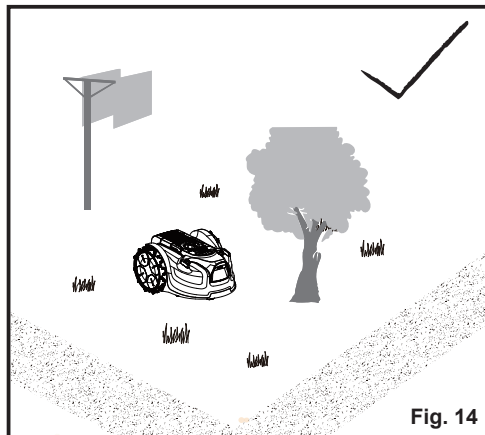
# FONCTIONNEMENT

FR

## Obstacles dans la zone de fauchage

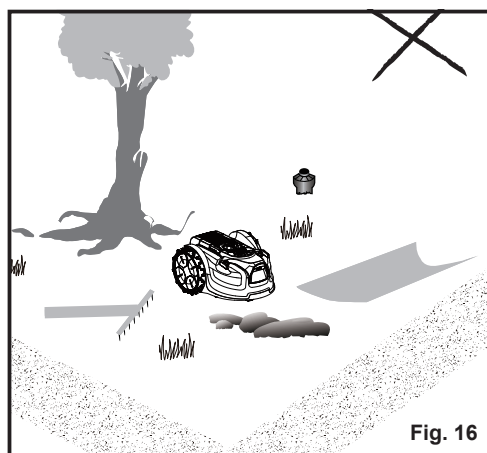
Lorsque les capteurs à ultrasons sont activés, il n'est pas nécessaire d'exclure de la zone de tonte les objets qui n'entravent pas le fonctionnement normal du robot de tonte, tels que les arbres (sans racines soulevées), les poteaux verticaux, etc. (illustration 14).

Lorsque des objets, tels que des racines d'arbres exposées, des fils électriques exposés, des systèmes d'irrigation, des drains, etc., sont présents à la surface de la pelouse, il est nécessaire de protéger ces objets avec des pavés, des murs ou des barrières afin d'éviter de les endommager et d'endommager la tondeuse robotisée (illustration 15).



La zone de travail ne peut pas être délimitée par des trous ou des fossés. Veillez à ce qu'il n'y ait pas d'objets tels que des jouets, des outils de travail, de petites pierres, des branches, des arroseurs, etc. sur la pelouse ou dépassant du sol, qui pourraient gêner la tondeuse ou endommager la lame (illustration 16).

**REMARQUE :** Évitez que les feuilles ne s'accumulent sur la pelouse, car elles risquent de ne pas être détectées correctement par la tondeuse robotisée. Enlevez les feuilles à intervalles réguliers.



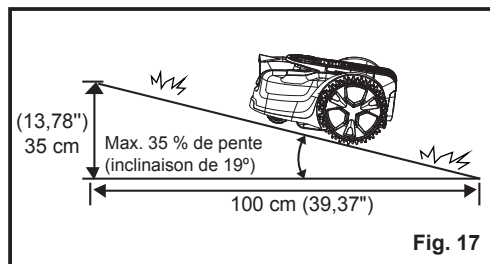
# FONCTIONNEMENT

## Pentes

Le robot de tonte est capable de gravir en toute sécurité des pentes de 35 % ou de 19°, et les zones plus pentues doivent être exclues (illustration 17).

Pour calculer la pente de votre pelouse, voir la illustration 17. La pente serait :

$$\frac{13,78'' (35 \text{ cm}) (\text{élévation})}{39,37'' (100\text{cm}) (\text{Longueur})} = 35\% (\text{pente})$$



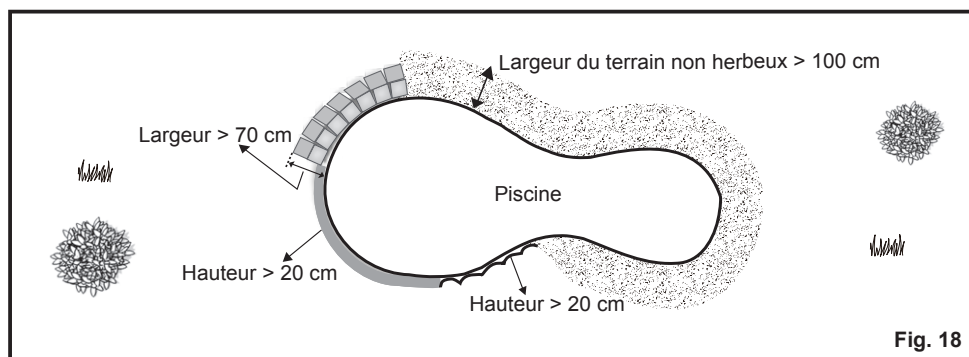
## Piscines et étangs

S'il y a une piscine ou un étang dans la zone de tonte, créez des bordures appropriées pour le protéger.

- Barrières surélevées d'une hauteur supérieure à 7,87'' (20 cm).
- Bordures plates (pavés, gravier ou planches de bois d'une largeur supérieure à 27,56'' (70 cm)).

L'illustration montre une zone de travail correctement définie pour le bon fonctionnement de la tondeuse (illustration 18).

**Il est très important que les limites visuelles autour des étangs soient larges et évidentes pour la tondeuse. Les plantes et les algues de l'étang peuvent être interprétées comme de l'herbe. Les limites physiques autour des étangs sont fortement recommandées et permettront d'éviter tout dommage accidentel causé par l'eau à votre tondeuse, qui n'est pas couvert par la garantie du fabricant.**



# FR FONCTIONNEMENT

## FR PANNEAU DE CONTRÔLE (illustration 19)

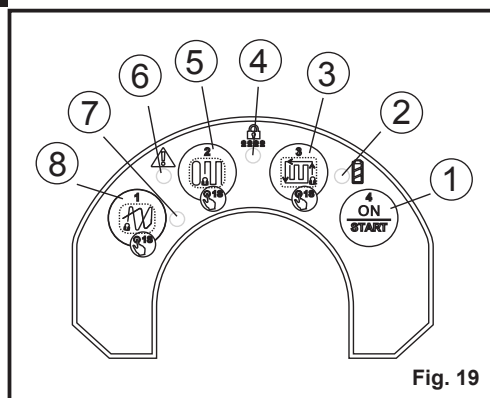


Fig. 19

- ① **START/ON** (bouton de réglage de sécurité 4)  
Appuyez sur le bouton START/ON et maintenez-le enfoncé pendant 1 seconde pour mettre la tondeuse sous tension. Sélectionnez le mode de coupe souhaité (tonde parallèle automatique, tonde parallèle partielle/manuelle ou tonde aléatoire) et appuyez à nouveau sur le bouton START/ON pour démarrer la tonde.
- ② Indicateur de batterie

Indicateur de batterie	État
Vert, continu	Puissance suffisante pour tondre/prêt à tondre.
Rouge, continu	Recharge nécessaire.
Rouge, clignotant	La température de la batterie est anormale ou le noyau électrique est défectueux.

- ③ **Bouton de tonde parallèle automatique** (bouton de réglage de sécurité 3)  
Appuyez sur ce bouton pendant 1 seconde pour sélectionner le mode de tonde parallèle à planification automatique, puis appuyez sur le bouton START/ON. La tondeuse commencera par tondre tout le périmètre autour de la limite de la pelouse, puis passera automatiquement à la tonde parallèle.

# FONCTIONNEMENT

FR

## ④ Indicateur UNLOCK

Indicateur UNLOCK	État
Éteint	Aucun code de sécurité n'a été défini pour la tondeuse.
Vert, continu	La tondeuse est déverrouillée. La tondeuse peut être utilisée manuellement.
Rouge, continu	Le code de sécurité est en cours de configuration.
Rouge, clignotant	La tondeuse est verrouillée.

## ⑤ Bouton de tonte parallèle partielle/manuelle (bouton de réglage de sécurité 2)

Appuyez sur ce bouton pendant 1 seconde pour sélectionner le mode de tonte parallèle partielle/manuelle, puis appuyez sur le bouton START/ON. Placez la tondeuse sur le côté gauche de la pelouse. Elle commencera à tondre en parallèle, de gauche à droite. La tonte parallèle partielle/manuelle peut être utilisée lorsque la tonte du périmètre est difficile en raison de la forme de la pelouse, ou lorsque la tondeuse s'est arrêtée au milieu de la tonte et que la session de tonte doit être reprise.

## ⑥ Indicateur d'erreur

Indicateur d'erreur	État
Éteint	La tondeuse fonctionne normalement.
Jaune, continu	Le capteur de levage est activé. / Le capteur d'obstacle est activé. / La tondeuse est inclinée. / Les roues arrière sont soulevées (patinage) en raison d'un obstacle. / La tondeuse s'est renversée. / Le bouton STOP est enfoncé. / La tondeuse ne détecte pas d'herbe.
Rouge, continu	Erreur du capteur. / Défaut du moteur. / Erreur du système d'exploitation.

## ⑦ Indicateur à ultrasons

Indicateur à ultrasons	État
Vert, continu	La fonction ultrasonique est activée.
Éteint	La fonction ultrasonique est désactivée.
Jaune, clignotant	La tondeuse a un problème de communication avec la caméra.

## ⑧ Bouton de tonte aléatoire (bouton de réglage de sécurité 1)

Appuyez sur ce bouton pendant 1 seconde pour sélectionner le mode de tonte aléatoire, puis appuyez sur le bouton START/ON.

Appuyez longuement sur le bouton de tonte aléatoire pour désactiver/activer la fonction ultrasonique.

# FONCTIONNEMENT

---

FR

## VERROUILLAGE DE LA TONDEUSE AVEC UN CODE DE SÉCURITÉ

Cette tondeuse peut être verrouillée à l'aide d'un code de sécurité. Une fois le code de sécurité défini, la tondeuse sera verrouillée dans les deux situations suivantes : 1) la tondeuse est hors tension ; 2) la tondeuse est en état d'erreur. Vous devez entrer le code de sécurité correct pour redémarrer la tondeuse.

**REMARQUE : La tondeuse n'est pas réglée par défaut avec un code de sécurité.**

### Pour définir un code de sécurité :

1. Appuyez simultanément sur le bouton de tonte partielle/manuelle parallèle (bouton de réglage de sécurité 2) et sur le bouton START/ON (bouton de réglage de sécurité 4) et les maintenir enfoncés pendant 3 secondes. Vous entendrez deux bips et l'indicateur de DÉVERROUILLAGE sera rouge en continu.
2. Dans les 10 secondes qui suivent, entrez un numéro à quatre chiffres de votre choix à l'aide des touches 1 à 4, que vous utiliserez comme code de sécurité personnel. Appuyez sur le bouton STOP pour confirmer. L'indicateur de DÉVERROUILLAGE clignote en vert.
3. Dans les 10 secondes qui suivent, entrez à nouveau le numéro à quatre chiffres de votre code de sécurité. Appuyez sur le bouton STOP pour confirmer. L'indicateur de DÉVERROUILLAGE est vert en continu. Le code de sécurité a été défini avec succès.

**REMARQUE :** Si plus de quatre chiffres sont saisis, vous entendrez cinq bips. La tondeuse revient à l'état sans code de sécurité. L'indicateur de DÉVERROUILLAGE s'éteint. Recommencez à partir de la première étape pour définir le code de sécurité.

**REMARQUE :** Si le panneau de commande n'est pas actionné pendant 10 secondes lors du réglage du code de sécurité, la tondeuse revient automatiquement à l'état sans code de sécurité.

### Pour désactiver la fonction de code de sécurité :

1. Déverrouillez la tondeuse en saisissant le code de sécurité correct et en appuyant sur le bouton STOP pour confirmer. Vous entendrez deux bips et l'indicateur de DÉVERROUILLAGE sera vert en continu.
2. Appuyez simultanément sur le bouton de tonte parallèle partielle/manuelle (bouton de réglage de sécurité 2) et sur le bouton START/ON (bouton de réglage de sécurité 4) et les maintenir enfoncés pendant 3 secondes. L'indicateur UNLOCK s'éteint. La fonction de code de sécurité est désactivée avec succès.

### Pour modifier le code de sécurité :

1. Déverrouillez la tondeuse en entrant le code de sécurité correct et en appuyant sur le bouton STOP pour confirmer.
2. Appuyez simultanément sur le bouton de tonte parallèle automatique (bouton de réglage de sécurité 3) et sur le bouton START/ON (bouton de réglage de sécurité 4) et maintenez-les enfoncés pendant 3 secondes. Vous entendrez deux bips et l'indicateur de DÉVERROUILLAGE sera rouge en continu. La tondeuse est prête à changer le code de sécurité.
3. Dans les 10 secondes, entrez un nouveau code de sécurité. Appuyez sur le bouton STOP pour confirmer. L'indicateur de DÉVERROUILLAGE clignote en vert.
4. Dans les 10 secondes qui suivent, entrez à nouveau le nouveau code de sécurité. Appuyez sur le bouton STOP pour confirmer. L'indicateur de DÉVERROUILLAGE est vert en continu. Le nouveau code de sécurité a été défini avec succès.

**REMARQUE :** Si plus de quatre chiffres sont saisis, vous entendrez cinq bips. La tondeuse revient à l'état verrouillé. L'indicateur UNLOCK (déverrouillage) clignote en rouge. Recommencez à partir de la première étape pour changer le code de sécurité.

# FONCTIONNEMENT

---

## ACTIVATION/DÉSACTIVATION

1. Pour allumer l'appareil, appuyez sur la touche START/ON pendant 1 seconde. L'indicateur de batterie, l'indicateur d'erreur et l'indicateur de déverrouillage clignoteront successivement. Le système de l'appareil photo prend environ 15 secondes pour démarrer.



FR

**REMARQUE** : Veuillez patienter pendant le démarrage de la tondeuse. Si vous tentez de démarrer la tondeuse pendant ce temps, un avertissement d'erreur s'affichera et le processus de démarrage devra être répété.

2. La tondeuse est prête à tondre lorsque l'indicateur de batterie et l'indicateur ultrasonique sont allumés en vert en continu et que la tondeuse émet un signal sonore.
3. Pour éteindre la tondeuse, soulevez le couvercle du compartiment de la batterie et retirez la clé de sécurité.

## DÉMARRAGE/ARRÊT DE LA TONDEUSE

---



### AVERTISSEMENT

Ne laissez pas la familiarité avec les produits vous rendre négligent. Rappelez-vous qu'une fraction de seconde d'inattention suffit pour infliger des blessures graves.

---

---



### AVERTISSEMENT

Lisez attentivement les consignes de sécurité avant de démarrer votre robot tondeuse.

---

---



### AVERTISSEMENT

Gardez vos mains et vos pieds à l'écart des lames en rotation. Ne mettez jamais vos mains ou vos pieds à proximité ou sous la tondeuse lorsque le moteur est en marche.

---

---



### AVERTISSEMENT

N'utilisez jamais le robot tondeuse lorsque des personnes, en particulier des enfants ou des animaux, se trouvent dans la zone de coupe.

---

---

# FONCTIONNEMENT

FR

1. Assurez-vous que la batterie entièrement chargée et la clé de sécurité sont correctement installées dans la tondeuse robotisée.
2. Placez la tondeuse robotisée dans la zone de tonte définie, à plusieurs mètres du bord de la pelouse. La tondeuse doit être orientée vers le bord.
3. Déverrouillez la tondeuse si elle est verrouillée. Saisissez le code de sécurité correct et appuyez sur le bouton STOP pour confirmer. Vous entendrez deux bips et l'indicateur UNLOCK (déverrouillage) sera vert en continu. La tondeuse est déverrouillée.
4. Appuyez sur la touche START/ON pendant 1 seconde. L'indicateur de batterie, l'indicateur d'erreur et l'indicateur de déverrouillage clignoteront successivement. Le système de caméra met environ 15 secondes à démarrer. La tondeuse est prête à tondre lorsque l'indicateur de batterie et l'indicateur ultrasonique sont allumés en vert en continu et que la tondeuse émet un signal sonore.
5. Sélectionnez le mode de coupe souhaité en appuyant pendant 1 seconde sur le bouton « Tonte parallèle automatique », « Tonte parallèle partielle/manuelle » ou « Tonte aléatoire », puis appuyez sur le bouton START/ON pour démarrer la tonte.
6. Pour arrêter la tondeuse en cours de fonctionnement, appuyez sur le bouton STOP.
7. Pour éteindre la tondeuse, soulevez le couvercle du compartiment de la batterie et retirez la clé de sécurité.



**REMARQUE** : Si la tondeuse est temporairement arrêtée en appuyant sur le bouton STOP, il n'est pas nécessaire d'entrer le code de sécurité pour redémarrer la tondeuse.

**REMARQUE** : Si la tondeuse est bloquée ou a été arrêtée pendant plus de 20-25 minutes, elle se met automatiquement en veille (hors tension). Pour remettre la tondeuse en marche, suivez les instructions ci-dessus.

## MODES DE COUPE

### 1. Tonte parallèle automatique

Dans ce mode, la tondeuse robotisée commence par tondre tout le périmètre de la pelouse, puis passe automatiquement à la tonte parallèle.

Une fois la tondeuse robotisée mise sous tension, appuyez sur le bouton de tonte parallèle automatique pendant 1 seconde. Appuyez ensuite sur le bouton START/ON. Après 5 secondes de fonctionnement continu, vous entendrez des bips indiquant que les lames ont commencé à tourner.

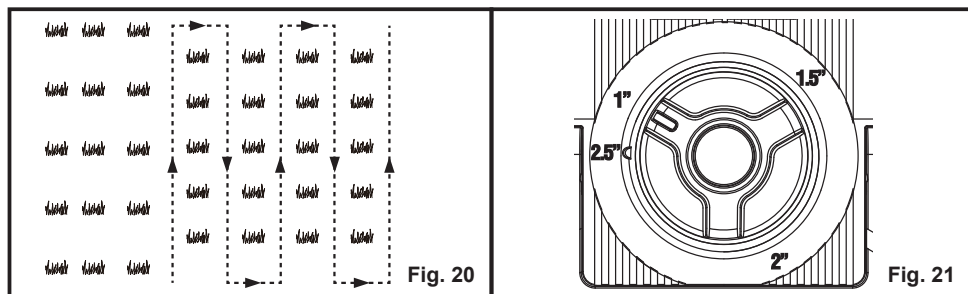
Dans ce mode, la tondeuse déterminera le meilleur endroit pour commencer la tonte parallèle en fonction de la taille et de la forme de la pelouse. Si la pelouse n'est pas bien tondue en mode de tonte parallèle automatique en raison d'une forme complexe, utilisez le mode de tonte parallèle partielle/manuelle pour terminer la tonte (voir ci-dessous).

### 2. Tonte parallèle partielle/manuelle

Ce mode est idéal pour nettoyer les zones qui n'ont pas été tondues lors d'une session de tonte automatique.

Une fois la tondeuse robotisée mise sous tension, appuyez pendant 1 seconde sur le bouton « Tonte parallèle partielle/manuelle ». Appuyez ensuite sur le bouton START/ON. La tondeuse commencera à tondre en parallèle de gauche à droite sur toute la pelouse (illustration 20). Une fois la tonte parallèle partielle/manuelle terminée, la tondeuse robotisée passera en mode « Tonte parallèle automatique ».

# FONCTIONNEMENT



FR

**REMARQUE :** la tonte parallèle partielle/manuelle peut être utilisée avant la tonte automatique pour tondre de manière systématique et efficace les zones principales de la pelouse. Cela permet de réduire le temps de tonte automatique nécessaire pour tondre toute la pelouse. Vous obtenez également un meilleur résultat.

### 3. Tonte aléatoire

Dans ce mode, la tondeuse robotisée tondra la pelouse de manière aléatoire.

Une fois la tondeuse robotisée mise sous tension, appuyez sur le bouton de tonte aléatoire pendant 1 seconde. Appuyez ensuite sur le bouton START/ON. Après 5 secondes de fonctionnement continu, vous entendrez des bips indiquant que les lames ont commencé à tourner. Le mode de tonte aléatoire peut être utilisé si la pelouse est complexe et qu'une tonte complète à l'aide de l'un des modes de tonte parallèle n'est pas possible.

La tondeuse robotisée recherchera automatiquement une zone de travail appropriée. Si la tondeuse robotisée ne trouve pas d'herbe dans les 5 secondes, elle changera de direction et recommencera à fonctionner dans une nouvelle direction. Les lames ne tourneront pas tant que la tondeuse ne pourra pas fonctionner de manière continue pendant au moins 5 secondes.

# FONCTIONNEMENT

---

## FR RÉGLAGE DE LA HAUTEUR DE COUPE

---



## AVERTISSEMENT

N'effectuez aucun réglage sur le robot de tonte sans avoir préalablement arrêté le moteur. Ne vous approchez pas du disque de la lame lorsque vous en réglez la hauteur.

---

La hauteur de coupe de la tondeuse peut être réglée de MIN 1" (25 mm) à MAX 2.5" (65 mm) (illustration 21).

Au cours des premières semaines de tonte, sélectionnez toujours la hauteur de coupe la plus élevée, soit 40 mm. Ensuite, la hauteur de coupe peut être abaissée progressivement chaque semaine jusqu'à ce que la hauteur de coupe souhaitée soit atteinte.

1. Appuyez sur le bouton STOP pour arrêter le robot de tonte.
2. Tournez le bouton de réglage de la hauteur de coupe pour régler la hauteur de coupe.
  - Tournez dans le sens des aiguilles d'une montre pour relever la hauteur de coupe.
  - Tournez dans le sens inverse des aiguilles d'une montre pour abaisser la hauteur de coupe.
3. Pour la première coupe de chaque saison, il convient de sélectionner un réglage de coupe plus élevé. **L'UTILISATION D'UNE HAUTEUR DE COUPE TROP BASSE DANS DE L'HERBE PLUS LONGUE CONSOMMERA PLUS D'ÉNERGIE ET RÉDUIRA L'AUTONOMIE DE LA BATTERIE.**
4. Avant de commencer à tondre, vérifiez que la lame n'est pas émoussée et qu'aucune des fixations n'est endommagée. Pour éviter tout déséquilibre, remplacez les lames émoussées et/ou endommagées. Pour effectuer ce contrôle, éteignez d'abord la tondeuse en retirant la clé de sécurité.

# ENTRETIEN

---

## **AVERTISSEMENT**

FR

Éteignez toujours le produit, retirez la clé de sécurité et le bloc-batterie et laissez-le refroidir avant d'effectuer des travaux d'inspection, d'entretien et de nettoyage.

---

## **AVERTISSEMENT**

Si une pièce est usée ou endommagée, utilisez les pièces de rechange recommandées par le fabricant. L'utilisation de toute autre pièce peut créer un danger ou endommager le produit.

---

## **AVERTISSEMENT**

Si une pièce est usée ou endommagée, utilisez les pièces de rechange recommandées par le fabricant. L'utilisation de toute autre pièce peut créer un danger ou endommager le produit.

---

## ENTRETIEN GÉNÉRAL

1. Veillez à ce que tous les dispositifs de sécurité et le carter du moteur soient exempts de saleté et de poussière. Évitez d'utiliser des solvants pour nettoyer les pièces en plastique. La plupart des plastiques sont susceptibles d'être endommagés par divers types de solvants commerciaux et peuvent être endommagés par leur utilisation. Utilisez des chiffons propres et secs pour enlever la saleté, la poussière, l'huile, la graisse, etc.
2. Vérifiez régulièrement que tous les écrous et les boulons sont bien serrés afin de garantir la sécurité d'utilisation de la tondeuse.
3. Enlevez toute accumulation d'herbe et de feuilles sur ou autour de la tondeuse. Essayez de temps en temps la tondeuse avec un chiffon sec. N'utilisez pas d'eau.
4. Pendant le fonctionnement, si de l'herbe ou de la boue s'accumule sur les roues, veuillez la nettoyer rapidement. Si vous ne le faites pas, cela peut affecter les performances de coupe parallèle de la tondeuse.

## REMPACEMENT DES LAMES DE LA TONDEUSE

---

## **AVERTISSEMENT**

Portez toujours des gants de protection épais lorsque vous procédez à l'entretien de la lame. Le non-respect de cet avertissement peut entraîner des blessures graves.

---

## **AVERTISSEMENT**

Avant toute opération d'entretien, assurez-vous que la clé de sécurité et la batterie ont été retirées. Le non-respect de cet avertissement peut entraîner des blessures graves.

---

# ENTRETIEN

**FR** Vérifiez toujours si les lames sont en bon état. Si les lames sont émoussées, endommagées ou présentent des signes de déséquilibre, elles doivent être remplacées. N'utilisez que les lames de rechange recommandées. Veillez à ce que les trois lames et les vis soient remplacées en même temps afin de conserver un système de coupe équilibré. Des lames de rechange peuvent être achetées en contactant le service clientèle.

## Remplacement des lames :

1. Appuyez sur le bouton STOP et laissez la lame s'arrêter complètement.
2. Soulever le couvercle du compartiment à piles. Retirez la clé de sécurité et la pile.
3. Retournez lentement la tondeuse. Placez-la sur une surface douce et propre.
4. Utilisez un outil approprié (par exemple, un tournevis) pour l'insérer dans l'un des trois trous du disque de lames afin de le fixer (illustration 22). Cela permet de s'assurer que le disque de lames ne tourne pas lors du remplacement des lames, afin d'éviter les blessures.
5. Portez des gants de protection et utilisez un tournevis ou une clé à six pans creux pour retirer les trois vis et les lames (illustration 23).
6. Fixez les nouvelles lames à l'aide de nouvelles vis.
7. Assurez-vous que toutes les lames tournent librement.

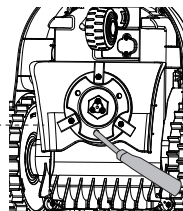
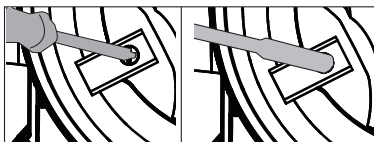
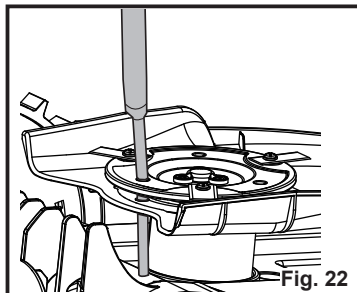


Fig. 22

Fig. 23

## NETTOYAGE DU DESSOUS DE LA LAME

Il est recommandé de vérifier et de nettoyer régulièrement le dessous du robot de tonte.

1. Appuyez sur le bouton STOP et laissez la lame s'arrêter complètement.
2. Soulever le couvercle du compartiment à piles. Retirez la clé de sécurité et la pile.
3. Retournez lentement la tondeuse. Placez-la sur une surface douce et propre.
4. Utilisez une brosse douce ou un chiffon humide pour enlever la saleté, la poussière, l'huile, la graisse, etc. du dessous de la tondeuse.



## ATTENTION :

Ne pas laver la tondeuse à l'eau courante.

5. Portez des gants de sécurité pour nettoyer soigneusement le disque de la lame, le châssis et les roues avant et arrière à l'aide d'une brosse douce ou d'un chiffon humide. Enlevez tous les débris qui se sont logés autour d'eux.
6. Assurez-vous que le disque de la lame peut tourner librement et que toutes les lames peuvent tourner librement.

## STOCKAGE DE LA TONDEUSE

Il est recommandé de ranger le robot de tonte à l'intérieur entre deux utilisations.

1. Avant de ranger la tondeuse, retirez la clé de sécurité et la batterie.
2. Nettoyez soigneusement la tondeuse.
3. Utilisez la poignée pour transporter la tondeuse. Portez la tondeuse avec le disque de la lame éloigné du corps (illustration 24).
4. Stockez la tondeuse à l'intérieur, dans un endroit propre et sec, hors de portée des enfants.

**IMPORTANT** : Protégez le dessous de la tondeuse de l'eau stagnante. Ne rangez JAMAIS la tondeuse à l'envers à l'extérieur.

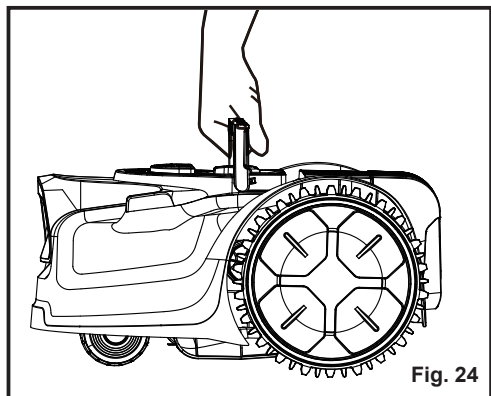


Fig. 24

## ENTRETIEN DE LA BATTERIE

1. Chargez complètement la batterie avant de la ranger.
2. Rechargez le bloc-batterie dès que vous constatez une diminution notable des performances. Ne laissez pas la batterie se décharger complètement.
3. Ne rechargez pas une batterie déjà entièrement chargée. La surcharge réduit la durée de vie de la batterie.
4. Une fois la batterie entièrement chargée, retirez-la du chargeur et débranchez ce dernier de la prise de courant.
5. Ne rangez pas la batterie sur l'outil ou sur le chargeur.
6. Si la batterie est chaude, laissez-la refroidir avant de la recharger.

## ENTRETIEN DU CHARGEUR

1. Gardez le chargeur propre et exempt de débris. Ne laissez aucun matériau étranger pénétrer dans la cavité encastrée ou sur les contacts. Essuyez-le avec un chiffon sec. Ne pas utiliser de solvants, d'eau ou placer le chargeur dans des conditions humides.
2. Débranchez toujours le chargeur lorsque la batterie n'est pas installée sur le chargeur.
3. Ne pas stocker le chargeur à une chaleur excessive. Ne pas utiliser en plein soleil.
4. Débranchez le chargeur de la prise secteur lorsqu'il n'est pas utilisé et lorsque la batterie est complètement chargée.

# ENTRETIEN

## FR MISE À JOUR DU LOGICIEL

La tondeuse peut nécessiter des mises à jour logicielles périodiques pour améliorer ses fonctionnalités.

**REMARQUE :** Assurez-vous que la clé USB fonctionne normalement et que la tondeuse robotisée est allumée en appuyant sur le bouton START/ON pendant 3 seconde avant de procéder à la mise à jour.

**REMARQUE :** Assurez-vous que l'indicateur de batterie est vert et que la tondeuse dispose d'une puissance suffisante pour la mise à jour du logiciel.

1. Téléchargez le dernier logiciel de la tondeuse robotisée à partir de notre site Web d'assistance ([www.lawnmaster.com](http://www.lawnmaster.com)) sur une clé USB vierge.
2. Arrêtez la tondeuse et retirez la clé de sécurité.
3. Retournez la tondeuse. Enfilez des gants de protection et utilisez un tournevis pour retirer les deux vis qui maintiennent le capuchon du port USB. Retirez le capuchon pour découvrir le port USB (illustration 25).
4. Insérez la clé de sécurité. Déverrouillez la tondeuse si elle est verrouillée.
5. Appuyez sur le bouton START/ON pendant 3 seconde et attendez 15 secondes jusqu'à ce que la tondeuse robotisée soit complètement sous tension, ce qui est indiqué par un voyant de batterie vert et un signal sonore. Insérez la clé USB dans le port USB, puis vous entendrez quatre bips. Le logiciel est en cours de mise à jour lorsque les trois voyants clignotent.
6. Une fois la mise à jour du logiciel terminée, vous entendrez un bip continu et l'indicateur de batterie sera vert en permanence.
7. Retirer la clé USB. Remettez le capuchon du port USB en place et vissez-le. Pour terminer la mise à jour du logiciel, redémarrez la machine en retirant et en réinsérant la clé de sécurité.

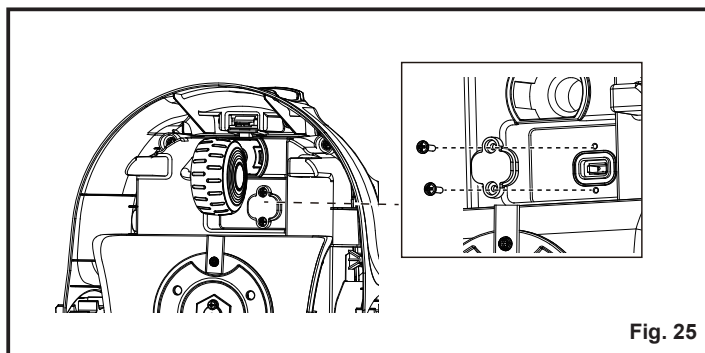


Fig. 25

# ÉLIMINATION DES PILES SANS DANGER POUR L'ENVIRONNEMENT

---

FR



Les batteries utilisées dans ce bloc-batterie contiennent les matériaux toxiques et corrosifs suivants : **lithium-ion, un matériau toxique.**

---



## AVERTISSEMENT

Tous les matériaux toxiques doivent être éliminés d'une manière spécifique afin d'éviter toute contamination de l'environnement. Avant d'éliminer des batteries lithium-ion endommagées ou usées, contactez votre agence locale d'élimination des déchets ou l'agence locale de protection de l'environnement pour obtenir des informations et des instructions spécifiques.

---



## AVERTISSEMENT

Si la batterie se fissure ou se casse, avec ou sans fuite, ne la rechargez pas et ne l'utilisez pas. Mettez-le au rebut et remplacez-le par un nouveau bloc-batterie.

---

### N'ESSAYEZ PAS DE LE RÉPARER !

**Pour éviter les blessures et les risques d'incendie, d'explosion ou d'électrocution, et pour ne pas nuire à l'environnement :**

- Recouvrez les bornes de la batterie avec du ruban adhésif résistant.
- **N'essayez PAS** de retirer ou de détruire l'un des composants du bloc-batterie.
- **N'essayez PAS** d'ouvrir le bloc-batterie.
- En cas de fuite, les électrolytes libérés sont corrosifs et toxiques. **NE PAS** mettre la solution en contact avec les yeux ou la peau et ne pas l'avaler.
- **NE PAS** jeter les piles endommagées ou défectueuses dans les ordures ménagères.
- **Ne pas** incinérer.
- **NE PAS** placer les piles dans un endroit où elles se retrouveront dans une décharge ou dans un flux de déchets solides municipaux.
- Déposez les piles dans un centre de recyclage ou d'élimination certifié.

# DÉPANNAGE

FR

Les dysfonctionnements suspectés sont souvent dus à des causes que l'utilisateur peut résoudre lui-même.

Par conséquent, vérifiez le produit à l'aide de cette section. Dans la plupart des cas, le problème peut être résolu rapidement.

## ATTENTION!

N'effectuez que les opérations décrites dans ces instructions !

Tous les autres travaux d'inspection, d'entretien et de réparation doivent être effectués par un centre de service agréé ou par un spécialiste de qualification similaire si vous ne pouvez pas résoudre le problème vous-même !

Des gants et des vêtements de protection appropriés doivent être portés lors de l'exécution de ces instructions. Arrêtez toujours la tondeuse avant d'effectuer un réglage.

PROBLÈME	CAUSE POSSIBLE	SOLUTION
La tondeuse robot se bloque pendant la tonte.	De l'herbe ou d'autres débris sont enroulés autour des roues.	Vérifiez les roues et retirez l'herbe ou les objets.
	De l'herbe ou d'autres débris sont enroulés autour du disque de lames.	Vérifiez le disque de lames et retirez l'herbe ou les objets (portez toujours des gants).
	Le disque de lames est immergé dans l'eau.	Déplacez la tondeuse robot et empêchez l'accumulation d'eau dans la zone de travail.
	La tondeuse robot s'est prise dans quelque chose.	Libérez la tondeuse et éliminez l'obstacle.
	La tondeuse robot est coincée derrière un certain nombre d'obstacles.	Vérifiez s'il y a des obstacles qui empêchent la tondeuse robot d'avancer à partir de cet endroit. Retirez les obstacles.
	La tondeuse est coincée dans un creux ou un trou irrégulier dans la pelouse.	Assurez-vous que les creux et les trous dans la pelouse sont nivelés avec de la terre végétale et ensemencés avec des graines de gazon.
	Le capteur de levée a été activé lorsque la tondeuse s'est retrouvée coincée.	Libérez la tondeuse.

# DÉPANNAGE

PROBLÈME	CAUSE POSSIBLE	SOLUTION
L'utilisation du mode de tonte parallèle automatique laisse certaines sections non tondues ou mal tondues.	La pelouse a une forme complexe.	Utilisez la tondeuse en mode de tonte parallèle partielle/manuelle. Ajustez les bordures de la pelouse pour leur donner une forme plus géométrique avec moins d'angles.
	Il y a des obstacles sur le chemin.	Retirez tous les obstacles non permanents tels que les pots ou les meubles de jardin. Pour les obstacles fixes, utilisez le mode de tonte parallèle partielle/manuelle une fois la première tonte terminée.
La tondeuse ne termine pas la tonte du périmètre complet.	Herbe haute sur les bords.	Couper l'herbe haute autour des bords.
	Obstacles dans le périmètre.	Enlevez les obstacles.
	Bordures affaissées autour du périmètre de la pelouse.	Nivelez les bords affaissés ou protégez-les avec une bande magnétique.
Le robot tondeuse ne démarre pas.	La clé de sécurité n'est pas installée correctement.	Installer correctement la clé de sécurité.
	La batterie n'est pas installée correctement.	Assurez-vous que la batterie est correctement installée.
	La batterie n'est pas complètement chargée.	Chargez la batterie.
	Possibilité de colmatage.	Retirez la clé de sécurité et la batterie. Vérifiez le dessous de la tondeuse et dégagez-la si nécessaire (portez toujours des gants).
	L'herbe est trop longue.	Réglez la hauteur de coupe à un niveau plus élevé. Si l'herbe est plus haute que la hauteur de coupe la plus élevée, coupez l'herbe à une hauteur raisonnable.
	La batterie est défectueuse.	Remplacer la pile.
	Bouton START/ON défectueux.	Contactez le service clientèle.

FR

# DÉPANNAGE

FR

PROBLÈME	CAUSE POSSIBLE	SOLUTION
Le robot tondeuse fonctionne en dehors de la zone de travail.	Des barrières incorrectes sont utilisées pour définir la zone de travail.	Vérifier que les bordures/barrières sont correctement réglées pour délimiter la zone de travail. Apportez des améliorations ou des barrières temporaires si nécessaire. Reportez-vous à la section <b>DÉFINITION DE LA ZONE À FAUCHER</b> à la page 21-26.
	Les capteurs à ultrasons sont désactivés.	Mettre en marche les capteurs à ultrasons.
	La pente de la zone de travail est supérieure à 19°.	Réduire l'accès de la tondeuse aux zones dont la pente est supérieure à 19°.
Le robot tondeuse est à l'envers.	La tondeuse robotisée penche trop ou s'est retournée.	Retournez la tondeuse robotisée dans le bon sens et rectifiez la raison pour laquelle elle s'est retournée.
Problème inconnu avec le contrôle ou la fonction.	Problème temporaire d'ordre électronique ou logiciel dans la tondeuse.	Retirez et réinsérez la clé de sécurité. Redémarrez la tondeuse. Téléchargez et installez la dernière mise à jour du logiciel. Si le problème persiste, contactez le service clientèle.
Le robot tondeuse se déplace sur la pelouse, mais le disque de la lame ne tourne pas.	Le robot tondeur recherche la zone de travail correcte.	C'est normal. La tondeuse doit travailler dans une zone suffisamment large. Le disque de coupe ne tourne pas pendant qu'il recherche automatiquement la zone de travail appropriée.
La tondeuse robot vibre.	Les lames de tonte sont endommagées.	Remplacez les lames. Reportez-vous à la section Remplacement des lames de la tondeuse à la page 34-35. Des lames de remplacement peuvent être achetées en contactant le service à la clientèle.
	Un trop grand nombre de lames dans la même position entraîne un déséquilibre du système de tonte.	Vérifiez qu'une seule lame est montée sur chaque vis et que les lames ne sont pas coincées.
	Des lames de versions (épaisseurs) différentes sont utilisées.	Vérifiez si les lames sont de versions (épaisseurs) différentes.
	La vis de la lame est desserrée.	Serrez les vis des lames.

# DÉPANNAGE

PROBLÈME	CAUSE POSSIBLE	SOLUTION
L'herbe est coupée de façon inégale.	La zone de travail est trop grande.	Ajustez les bordures/protections pour réduire la taille de la zone de tonte. Rechargez la batterie pour tondre la zone deux fois ou achetez une batterie supplémentaire pour augmenter la taille de la zone de tonte.
	Les lames sont émoussées.	Remplacez toutes les lames et les vis. Reportez-vous à la section Remplacement des lames de la tondeuse à la page 34-35. Des lames de remplacement peuvent être achetées en contactant le service à la clientèle.
	La hauteur de tonte est trop basse ou l'herbe est trop haute.	Augmentez la hauteur de tonte.
	De l'herbe s'est enroulée autour du disque de tonte.	Vérifiez sous la tondeuse et dégagez si nécessaire (portez toujours des gants).
La zone de tonte (autonomie de la batterie) n'est pas assez étendue.	La hauteur de tonte est trop basse ou l'herbe est trop haute.	Augmentez la hauteur de tonte.
	L'herbe est mouillée ou humide.	Attendez que l'herbe soit sèche.
	L'herbe est dense.	Augmentez la hauteur de tonte et tondez plus fréquemment.
	La batterie n'est pas complètement chargée.	Chargez la batterie.
	La surface de la pelouse est trop grande.	Rechargez la batterie et tondez à nouveau ou achetez une batterie supplémentaire pour tondre de plus grandes surfaces.
La lame de tonte ne tourne pas lorsque la tondeuse est en marche.	La lame de tonte est obstruée.	Retirez la clé de sécurité et le bloc-batterie. Dégagez l'obstacle (portez toujours des gants).
	La vis de la lame est desserrée.	Serrez les vis des lames.

FR

# DÉPANNAGE

FR	PROBLÈME	CAUSE POSSIBLE	SOLUTION
L'indicateur d'erreur est jaune en continu.		Le capteur de levage est activé pendant 10 secondes.	Retirez et réinsérez la clé de sécurité. Vérifiez que la zone de travail ne comporte pas d'obstacles d'une hauteur supérieure à 10 cm et retirez-les. Redémarrez la tondeuse.
		Le capteur d'obstruction s'est déclenché 10 fois en l'espace d'une minute.	Retirez et réinsérez la clé de sécurité. Retirez les obstacles. Vérifiez si l'herbe est trop haute. Si nécessaire, tondez l'herbe à moins de 60 mm avec une tondeuse classique. Redémarrez la tondeuse.
		La tondeuse robot a été inclinée pendant une période prolongée dans une direction.	
		Les roues arrière ont été soulevées par un obstacle.	
		La tondeuse s'est renversée.	
		Le bouton STOP (ARRÊT) est enfoncé.	Retirez et réinsérez la clé de sécurité. Retirez les obstacles. Redémarrez la tondeuse.
	La tondeuse robot ne voit pas l'herbe.	Déplacez la tondeuse robot sur la pelouse et redémarrez-la.	

# DÉPANNAGE

**FR**

PROBLEMA	POSIBLE CAUSA	SOLUCIÓN
L'indicateur d'erreur est rouge en permanence.	Erreur de capteur.	Retirez et réinsérez la clé de sécurité. Redémarrez la tondeuse. Si le problème persiste, contactez le service à la clientèle.
	Surintensité dans le moteur ou panne du moteur.	Retirez et réinsérez la clé de sécurité. Vérifiez qu'il n'y a pas d'obstacles autour des roues arrière et du disque de lames et enlevez-les. Augmentez la hauteur de tonte. Vérifiez si l'herbe est trop haute. Si nécessaire, tondez l'herbe à moins de 60 mm avec une tondeuse classique. Redémarrez la tondeuse. Si le problème persiste, contactez le service à la clientèle.
	Erreur du système d'exploitation.	Retirez et réinsérez la clé de sécurité. Redémarrez la tondeuse. Si le problème persiste, contactez le service à la clientèle.
L'indicateur ultrasonique clignote en jaune.	La tondeuse a un problème de communication avec la caméra.	Il fait trop sombre pour que la caméra fonctionne. N'utilisez la tondeuse qu'en plein jour. Retirez et réinsérez la clé de sécurité. Redémarrez la tondeuse.
L'indicateur de batterie clignote en rouge.	La température du bloc-batterie est anormale.	Laissez la machine refroidir jusqu'à ce qu'elle atteigne une température normale. Redémarrez ensuite la tondeuse. Si le problème persiste, contactez le service à la clientèle.
	Défaut du circuit électrique (l'indicateur d'erreur est rouge en continu).	Retirez et réinsérez la clé de sécurité. Redémarrez la tondeuse. Si le problème persiste, contactez le service à la clientèle.

# DÉPANNAGE

FR

PROBLEMA	POSIBLE CAUSA	SOLUCIÓN
Aucune procédure de charge n'est possible.	Les contacts de la batterie sont contaminés.	Nettoyez les contacts de la batterie (par exemple en insérant et en retirant la batterie plusieurs fois) ou remplacez la batterie.
	La prise de courant, le câble d'alimentation ou le chargeur de batterie sont défectueux.	Vérifiez la tension du réseau. Si nécessaire, contactez le service à la clientèle.
	La batterie est défectueuse.	Remplacez la batterie.
Les LED de contrôle de la charge ne s'allument pas après l'insertion de la fiche secteur dans la prise.	La fiche secteur du chargeur de batterie n'est pas branchée correctement.	Insérer la fiche d'alimentation à fond dans la prise de courant.
	La prise de courant, le câble d'alimentation ou le chargeur de batterie sont défectueux.	Vérifier la tension du réseau et, le cas échéant, contacter le service clientèle.
	Fusible de la fiche grillé.	Vérifiez et remplacez le fusible dans la fiche.
Tous les voyants clignotent en rouge pendant la mise à jour du logiciel.	La mise à jour du logiciel a échoué.	Vérifiez que le fichier logiciel est correctement nommé. Assurez-vous que la clé USB ne contient que le fichier logiciel et qu'elle est vide. Assurez-vous que le logiciel ne se trouve pas dans un dossier.

Pour plus d'informations sur l'état des témoins lumineux de la batterie et du chargeur, reportez-vous à la page 18-19.

# GARANTIE LAWNMASTER®

---

FR

Nous sommes fiers de fabriquer un produit durable et de haute qualité. Ce produit Lawnmaster® bénéficie d'une garantie limitée de deux (2) ans contre les défauts de fabrication et de matériaux à compter de la date d'achat dans le cadre d'une utilisation domestique normale. Si le produit est destiné à un usage commercial, industriel ou locatif, une garantie limitée de 30 jours s'applique. **Les piles sont garanties un an contre les défauts de fabrication et de matériaux.** Pour être valables, les batteries doivent être chargées conformément aux instructions et réglementations du manuel d'utilisation. La garantie ne s'applique pas aux défauts dus à des abus directs ou indirects, à la négligence, à une mauvaise utilisation, à des accidents, à des réparations ou à des modifications et à un manque d'entretien. Veuillez conserver votre reçu/liste d'emballage comme preuve d'achat. Cette garantie vous donne des droits légaux spécifiques, et vous pouvez avoir d'autres droits, qui varient d'un état à l'autre. Pour le service après-vente, appelez le service clientèle au 1-866-384-8432.

Articles non couverts par la garantie :

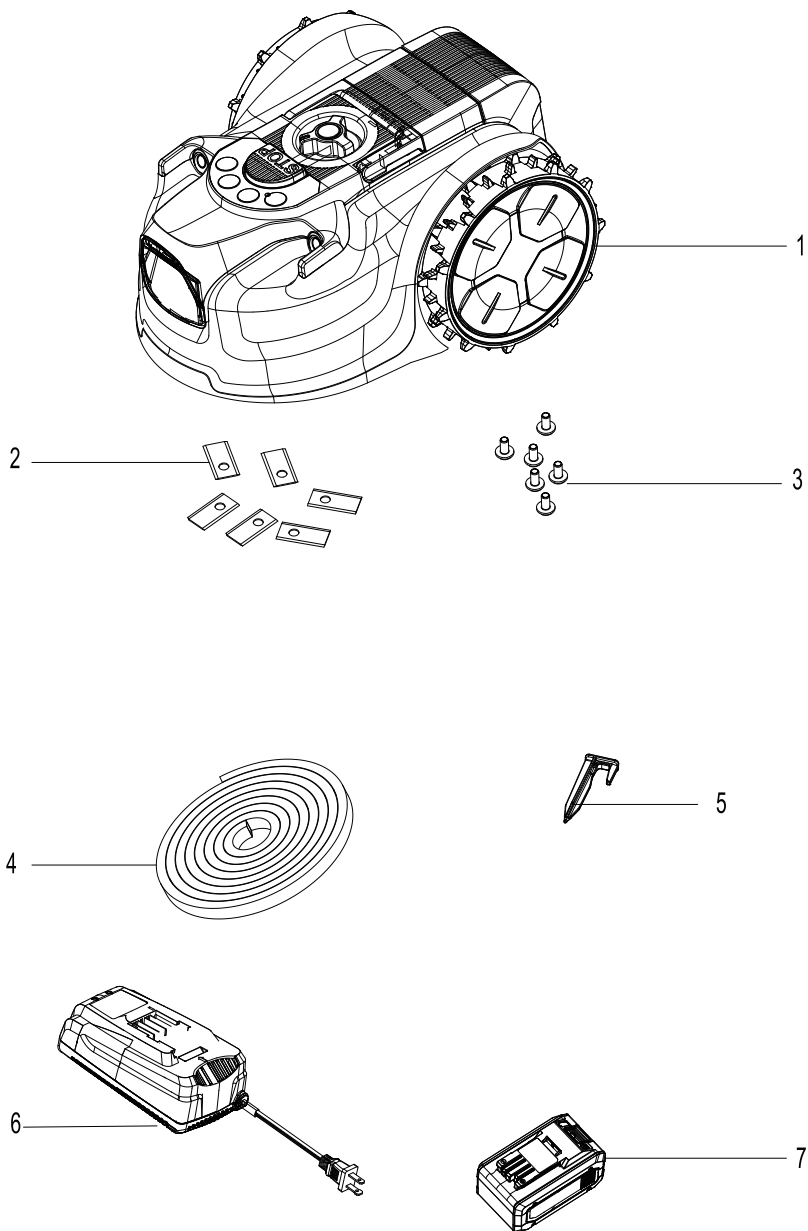
1. Toute pièce devenue inopérante en raison d'une mauvaise utilisation, d'un usage commercial, d'un abus, d'une négligence, d'un accident, d'un entretien inadéquat ou d'une modification ;
2. L'appareil, s'il n'a pas été utilisé et/ou entretenu conformément au manuel d'utilisation ;
3. Usure normale, à l'exception de ce qui est indiqué ci-dessous ;
4. Les éléments d'entretien courant tels que les lubrifiants, l'affûtage des lames ;
5. Détérioration normale de la finition extérieure due à l'utilisation ou à l'exposition.

Frais de transport : Les frais de transport pour le déplacement de tout équipement motorisé ou accessoire sont à la charge de l'acheteur. Il incombe à l'acheteur de payer les frais de transport pour toute pièce soumise au remplacement dans le cadre de cette garantie, à moins que le retour ne soit demandé par écrit par LawnMaster®.

**CONSERVEZ VOS REÇUS. SANS EUX, LA GARANTIE EST ANNULÉE.**

# VUE DÉCOUVERTE

FR



# LISTE DES PIÈCES

Numéro de clé	Numéro de pièce	Description	Quantité
1		Unité de tondeuse	1
2		Lame de rechange	6
3		Vis pour la lame	6
4	631013171	Bande magnétique (16.4 pieds / 5 m)	3
5	631010114	Cheville pour la bande magnétique	30
6	221024107	Chargeur	1
7	631027109	Batterie	1

**FR**

Les pièces de rechange surlignées en gris sont disponibles pour l'achat après-vente. Le remplacement des pièces internes ou de réparation ne doit être effectué que par un professionnel qualifié. Veuillez contacter votre revendeur agréé ou le service clientèle au 1-866-384-8432.

Un pack de 15 lames est disponible, veuillez appeler le 1-866-384-8432 pour commander.  
Numéro de pièce 523830.

# REMARQUES



FR

Lined writing area consisting of 25 horizontal lines.





