



# ELECTRIC OR GAS DRYER USE AND CARE GUIDE

# SÉCHEUSE ÉLECTRIQUE OU À GAZ GUIDE D'UTILISATION ET D'ENTRETIEN

Para una versión de estas instrucciones en español, visite [www.maytag.com](http://www.maytag.com)

## Table of Contents

DRYER SAFETY .....	2
CHECK YOUR VENT SYSTEM FOR GOOD AIR FLOW .....	4
USE SENSOR DRY/AUTOMATIC DRY CYCLES FOR BETTER FABRIC CARE AND ENERGY SAVINGS .....	4
CONTROL PANEL & FEATURES .....	5
CYCLE GUIDE .....	6
USING YOUR DRYER .....	7
DRYER CARE .....	9
TROUBLESHOOTING .....	11
WARRANTY .....	13
ASSISTANCE OR SERVICE .....	BACK COVER

## Table des matières

SÉCURITÉ DE LA SÉCHEUSE .....	14
VÉRIFICATION D'UNE CIRCULATION D'AIR ADÉQUATE POUR LE SYSTÈME D'ÉVACUATION ..	16
UTILISATION DES PROGRAMMES DE SÉCHAGE PAR DÉTECTION/PROGRAMMES AUTOMATIQUES POUR UN MEILLEUR SOIN DU TISSU ET DAVANTAGE D'ÉCONOMIES D'ÉNERGIE .....	16
TABLEAU DE COMMANDE ET CARACTÉRISTIQUES .....	17
GUIDE DE PROGRAMMES .....	18
UTILISATION DE LA SÉCHEUSE .....	19
ENTRETIEN DE LA SÉCHEUSE .....	21
DÉPANNAGE .....	23
GARANTIE .....	26
ASSISTANCE OU SERVICE .....	COUVERTURE ARRIÈRE

W11185722A  
W11185728A -SP



# DRYER SAFETY

## Your safety and the safety of others are very important.

We have provided many important safety messages in this manual and on your appliance. Always read and obey all safety messages.



This is the safety alert symbol.

This symbol alerts you to potential hazards that can kill or hurt you and others.

All safety messages will follow the safety alert symbol and either the word “DANGER” or “WARNING.”

These words mean:

**⚠ DANGER**

You can be killed or seriously injured if you don't immediately follow instructions.

**⚠ WARNING**

You can be killed or seriously injured if you don't follow instructions.

All safety messages will tell you what the potential hazard is, tell you how to reduce the chance of injury, and tell you what can happen if the instructions are not followed.



## **WARNING** - “Risk of Fire”

- Clothes dryer installation must be performed by a qualified installer.
- Install the clothes dryer according to the manufacturer's instructions and local codes.
- Do not install a clothes dryer with flexible plastic venting materials or flexible metal (foil type) duct. If flexible metal duct is installed, it must be of a specific type identified by the appliance manufacturer as suitable for use with clothes dryers. Flexible venting materials are known to collapse, be easily crushed, and trap lint. These conditions will obstruct clothes dryer airflow and increase the risk of fire.
- To reduce the risk of severe injury or death, follow all installation instructions.
- Save these instructions.

**IMPORTANT:** The gas installation must conform with local codes, or in the absence of local codes, with the National Fuel Gas Code, ANSI Z223.1/NFPA 54, or the Natural Gas and Propane Installation Code, CSA B149.1.

The dryer must be electrically grounded in accordance with local codes, or in the absence of local codes, with the National Electrical Code, ANSI/NFPA 70, or the Canadian Electrical Code, Part 1, CSA C22.1.

### IMPORTANT SAFETY INSTRUCTIONS

When discarding or storing your old clothes dryer, remove the door.

**SAVE THESE INSTRUCTIONS**

## IMPORTANT SAFETY INSTRUCTIONS

**WARNING:** To reduce the risk of fire, electric shock, or injury to persons when using the dryer, follow basic precautions, including the following:

- Read all instructions before using the dryer.
- Do not place items exposed to cooking oils in your dryer. Items contaminated with cooking oils may contribute to a chemical reaction that could cause a load to catch fire.
- Do not dry articles that have been previously cleaned in, washed in, soaked in, or spotted with gasoline, dry-cleaning solvents, or other flammable or explosive substances as they give off vapors that could ignite or explode.
- Do not allow children to play on or in the dryer. Close supervision of children is necessary when the dryer is used near children.
- Before the dryer is removed from service or discarded, remove the door to the drying compartment.
- Do not reach into the dryer if the drum is moving.
- Do not install or store the dryer where it will be exposed to the weather.
- Do not tamper with controls.
- Do not repair or replace any part of the dryer or attempt any servicing unless specifically recommended in this Use and Care Guide or in published user-repair instructions that you understand and have the skills to carry out.
- Do not use fabric softeners or products to eliminate static unless recommended by the manufacturer of the fabric softener or product.
- Do not use heat to dry articles containing foam rubber or similarly textured rubber-like materials.
- Clean lint screen before or after each load.
- Keep area around the exhaust opening and adjacent surrounding areas free from the accumulation of lint, dust, and dirt.
- The interior of the dryer and exhaust vent should be cleaned periodically by qualified service personnel.
- See “Electrical Requirements” located in the installation instructions for grounding instructions.

## SAVE THESE INSTRUCTIONS

### **WARNING:**

#### **FIRE OR EXPLOSION HAZARD**

**Failure to follow safety warnings exactly could result in serious injury, death or property damage.**

**– Do not store or use gasoline or other flammable vapors and liquids in the vicinity of this or any other appliance.**

**– WHAT TO DO IF YOU SMELL GAS:**

- Do not try to light any appliance.
- Do not touch any electrical switch; do not use any phone in your building.
- Clear the room, building, or area of all occupants.
- Immediately call your gas supplier from a neighbor's phone. Follow the gas supplier's instructions.
- If you cannot reach your gas supplier, call the fire department.

**– Installation and service must be performed by a qualified installer, service agency, or the gas supplier.**

**WARNING:** Gas leaks cannot always be detected by smell.

Gas suppliers recommend that you use a gas detector approved by UL or CSA.

For more information, contact your gas supplier.

If a gas leak is detected, follow the “What to do if you smell gas” instructions.

State of California Proposition 65 Warnings:

**WARNING:** This product contains one or more chemicals known to the State of California to cause cancer.

**WARNING:** This product contains one or more chemicals known to the State of California to cause birth defects or other reproductive harm.

# CHECK YOUR VENT SYSTEM FOR GOOD AIR FLOW

## **WARNING**



### Fire Hazard

**Use a heavy metal vent.**

**Do not use a plastic vent.**

**Do not use a metal foil vent.**

**Failure to follow these instructions can result in death or fire.**

## Good air flow

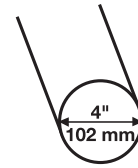
Along with heat, dryers require good air flow to efficiently dry laundry. Proper venting will reduce your drying times and improve your energy savings. See Installation Instructions.

The venting system attached to the dryer plays a big role in good air flow. Blocked or crushed vents as well as improper venting installation will reduce air flow and dryer performance.

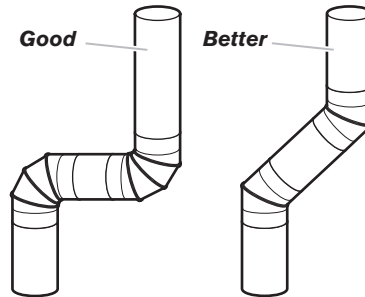
Service calls caused by improper venting are not covered by the warranty and will be paid by the customer, regardless of who installed the dryer. To clean or repair venting, contact a venting specialist.

## Maintain good air flow by:

- Cleaning your lint screen before each load.
- Replace plastic or foil vent material with 4" (102 mm) diameter heavy, rigid vent material.



- Use the shortest length of vent possible.
- Use no more than four 90° elbows in a vent system; each bend and curve reduces air flow.



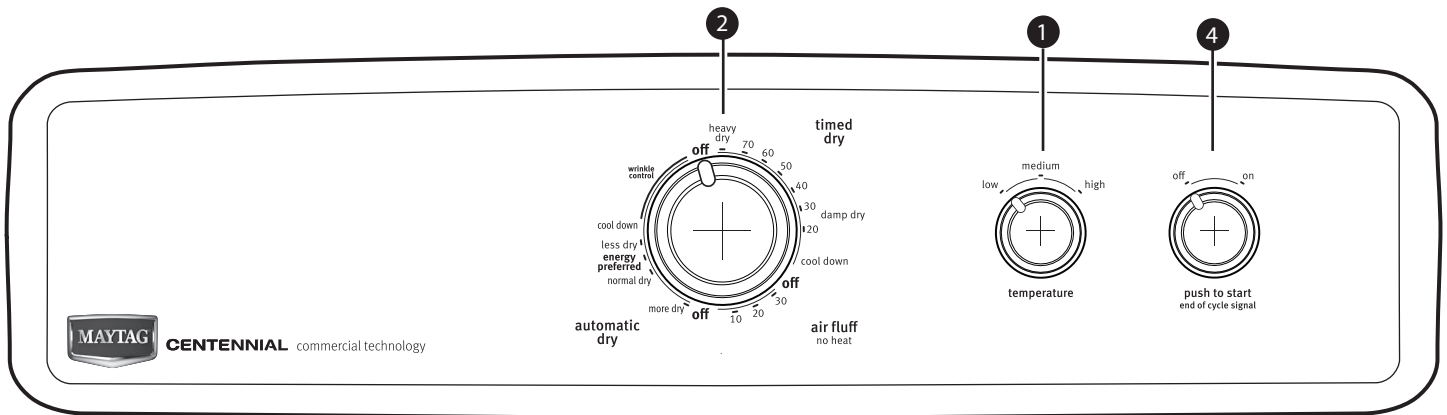
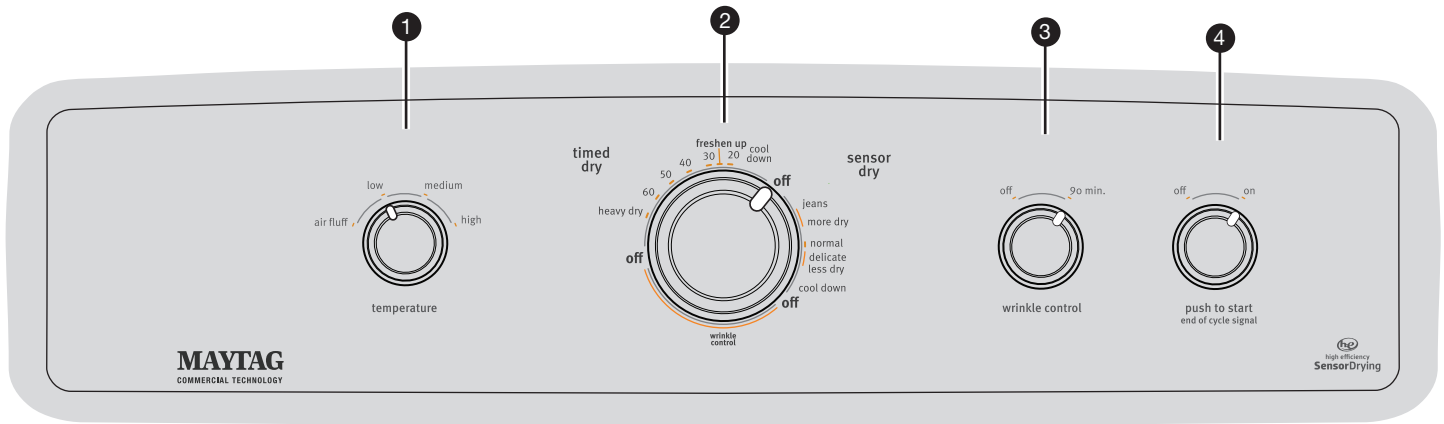
- Remove lint and debris from the exhaust hood.
- Remove lint from the entire length of the vent system at least every 2 years. When cleaning is complete, be sure to follow the "Installation Instructions" supplied with your dryer for final product check.
- Clear away items from the front of the dryer.

# USE SENSOR DRY/AUTOMATIC DRY CYCLES FOR BETTER FABRIC CARE AND ENERGY SAVINGS

Use the Sensor Dry/Automatic Dry cycles to provide the most energy savings and enhanced fabric care from the dryer. During Sensor Dry/Automatic Dry cycles, drying air temperature or moisture level is sensed in the load. This sensing occurs throughout the drying cycle and the dryer shuts off when the load reaches the selected dryness.

With Timed Dry, the dryer runs the amount of time set and sometimes results in shrinkage, wrinkling, and static due to over-drying. Use Timed Dry for the occasional damp load that needs a little more drying time or when using the drying rack.

# CONTROL PANEL & FEATURES



Not all features and options are available on all models.  
Appearance may vary.

## 1 TEMPERATURE/FABRIC

Select a drying temperature based on the fabrics in your load. If you are unsure of the temperature to select for a load, select the lower setting rather than the higher setting.

## 2 CYCLE KNOB

Use Cycle Knob to select available cycles on your dryer. Turn the knob to select a cycle for your laundry load. See Cycle Guide for detailed descriptions of cycles.

### TIMED DRY

Will run the dryer for the specified time on the control. On models with a selectable temperature knob, you may choose a setting based on the fabrics in your load. On some models, temperature is included in the cycle selections. Drying time and temperature will depend on your dryer model.

### SENSOR DRY/AUTOMATIC DRY

Senses moisture in the load or air temperature and shuts off when the load reaches the selected dryness level. Gives the best drying in the shortest time. Drying time will vary based on fabric type, load size, and temperature setting.

## WRINKLE CONTROL Feature (on some models)

The WRINKLE CONTROL feature will run after your drying cycle is complete. It periodically starts and stops the dryer, tumbling the load without heat to help avoid wrinkling.

On some models, WRINKLE CONTROL automatically starts at the end of the cycle. Opening the door will stop this feature.

**NOTE:** A signal will sound periodically when the WRINKLE CONTROL setting is selected, but only if the End of Cycle signal is also selected.

## 3 WRINKLE CONTROL option (on some models)

When you are unable to remove a load of clothes from the dryer as soon as it stops, wrinkles can form. The WRINKLE CONTROL option periodically tumbles, rearranges, and fluffs the load to help keep wrinkles from forming.

- Get up to 90 minutes of heat-free, periodic tumbling at the end of a cycle. Turn the WRINKLE CONTROL knob to select OFF or 90 min. at any time before the cycle has ended.

## 4 PUSH TO START/END OF CYCLE SIGNAL

The End of Cycle Signal produces an audible sound when the drying cycle is finished. Promptly removing clothes at the end of the cycle reduces wrinkling.

Turn the END OF CYCLE SIGNAL knob to select the desired setting (On or Off). Press the PUSH TO START knob to start the dryer.

## CYCLE GUIDE — SENSOR DRY/AUTOMATIC DRY CYCLES

**SENSOR DRY/AUTOMATIC DRY** - Senses moisture in the load or air temperature and shuts off when the load reaches the selected dryness level.

Not all cycles and settings are available on all models. Settings and options shown in **bold** are default settings for that cycle.

**NOTE:** Government energy certifications for the Maytag Gas and Electric models were based on the Timed Dry cycle with the Maximum drying temperature setting. The as - shipped defaults of Sensor Dry, Normal cycle, Low heat, wrinkle shield were not used.

Items to dry:	Dryness Level:	Temperature Fabric:	Available Options:	Cycle Details:
Jeans, heavy work clothes, towels	More Dry <b>Energy Preferred</b> Less Dry <b>Normal</b>	<b>High</b>	End of Cycle Signal Wrinkle Control	Automatic cycles give the best drying in the shortest time. Drying time varies based on fabric type, load size, and dryness setting.  Select a drying temperature based on the fabrics in your load. If you are unsure of the temperature to select for a load, select the lower setting rather than the higher setting.
Work clothes, medium weight fabrics, sheets	More Dry <b>Energy Preferred</b> Less Dry <b>Normal</b>	<b>Medium or Low</b>	End of Cycle Signal Wrinkle Control	
Casual, shirts, pants, lightweight items, synthetics, delicates, athletic wear	More Dry <b>Energy Preferred</b> Less Dry <b>Normal</b>	<b>Low</b>	End of Cycle Signal Wrinkle Control	

**NOTE:** If loads do not seem as dry as you would like, select More Dry next time you dry a similar load. If loads seem drier than you like, select Less Dry next time you dry a similar load.

## CYCLE GUIDE — TIMED DRY CYCLES

**TIMED DRY** - Will run the dryer for the specified time on the control.

Not all cycles and settings are available on all models.

Items to dry:	Cycle:	Temperature:	Available Options:	Cycle Details:
Heavy or bulky items	<b>Heavy Dry</b>	<b>Any</b>	End of Cycle Signal	Completes drying if items are still damp.
Any load	<b>Freshen Up</b>	<b>Any</b>	End of Cycle Signal	Use low to medium temperature to smooth out wrinkles, such as those found in clothes packed in a suitcase or in items wrinkled from being left in the dryer too long.
Any load	<b>Damp Dry</b>	<b>Any</b>	End of Cycle Signal	Dries items to a damp level or for items that do not require an entire drying cycle.
Rubber, plastic, heat sensitive fabrics	<b>Air Fluff</b>	<b>Air Fluff</b>	End of Cycle Signal	No heat drying.

### Setting the Drying Temperature

If your dryer has multiple heat settings:

A High temperature setting may be used for drying heavyweight items such as towels and work clothes.

A Low to Medium temperature setting may be used for drying medium-weight items such as sheets, blouses, dresses, underwear, permanent press fabrics, and some knits.

Use the Air Fluff (no heat) setting for foam, rubber, plastic, or heat-sensitive fabrics.

Line dry bonded or laminated fabrics.

**NOTE:** If you have questions about drying temperatures for various loads, refer to the care label directions.

# USING YOUR DRYER

## ⚠ WARNING



### Explosion Hazard

Keep flammable materials and vapors, such as gasoline, away from dryer.

Do not dry anything that has ever had anything flammable on it (even after washing).

Failure to follow these instructions can result in death, explosion, or fire.

**WARNING:** To reduce the risk of fire, electric shock, or injury to persons, read the IMPORTANT SAFETY INSTRUCTIONS before operating this dryer.

Before using your dryer, wipe the dryer drum with a damp cloth to remove dust from storing and shipping.

## ⚠ WARNING



### Fire Hazard

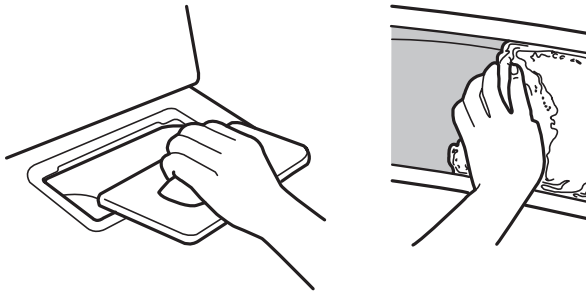
No washer can completely remove oil.

Do not dry anything that has ever had any type of oil on it (including cooking oils).

Items containing foam, rubber, or plastic must be dried on a clothesline or by using an Air Cycle.

Failure to follow these instructions can result in death or fire.

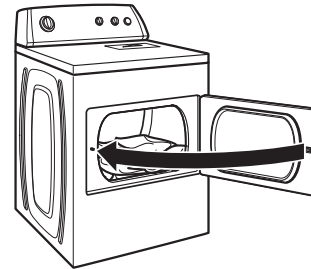
## 1. Clean the lint screen



Clean the lint screen before each load. Pull the lint screen out of its holder. Roll lint off the screen with your fingers. Do not rinse or wash screen to remove lint. Push the lint screen firmly back into place.

For additional cleaning information, see "Dryer Care".

## 2. Load the dryer

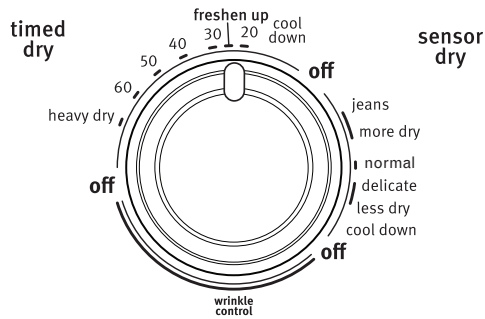


Place laundry in the dryer. Close the door.

Do not tightly pack the dryer; clothes should be able to tumble freely.

**NOTE:** Your model may have a different door than the one shown. Some models have drop down doors.

### 3. Select the desired cycle



Select the desired cycle for your load. See the Cycle Guide for more information about each cycle.

#### SENSOR DRY/AUTOMATIC DRY Cycles

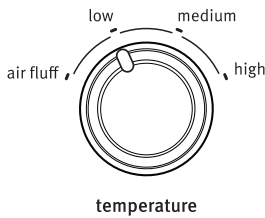
You can select a different dryness level, depending on your load, by turning the knob to dryness level.

Selecting More Dry, Energy Preferred, Normal, or Less Dry automatically adjusts the dryness level of the fabrics at which the dryer will shut off.

Sensor Dry/Automatic Dry cycles give the best drying in the shortest time. Drying time varies based on fabric type, load size, and dryness setting. Less Dry removes less moisture and is used for loads you may want to put on a hanger to complete drying.

More Dry removes more load moisture. Energy Preferred is used for a starting point for Sensor Dry/Automatic Dry cycles.

### 4. Set temperature (on some models)



Select temperature by turning the knob to the desired position or select the Automatic Dry Cycle that has the temperature included in the cycle selections. See "Setting the Drying Temperature".

**NOTE:** Not all options and settings are available with all cycles.

### 5. Set Wrinkle Control (on some models)

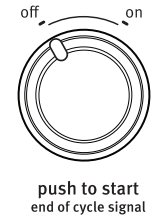


Select Wrinkle Control by turning the knob to the desired position.

Get up to 90 minutes of heat-free, periodic tumbling at the end of a cycle. Turn the WRINKLE CONTROL knob to OFF or 90 min. at any time before the cycle has ended.

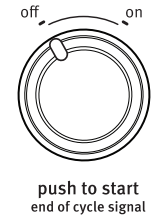
**NOTE:** Not all options and settings are available with all cycles.

### 6. Select End of Cycle Signal (if desired)



Turn the END OF CYCLE SIGNAL knob to select the desired setting (On or Off). The End of Cycle Signal produces an audible sound when the drying cycle is finished. Promptly removing clothes at the end of the cycle reduces wrinkling.

### 7. Press PUSH TO START to begin cycle



Push and hold the PUSH TO START knob to begin the cycle.

### DRYING RACK ACCESSORY

To purchase a drying rack for your dryer, please refer to "Assistance or Service" on the back cover of the manual or contact the dealer from whom you purchased your dryer.

Part Number	Accessory
3406839	Drying rack - fits 29" Super Capacity Plus

# DRYER CARE

## Cleaning the dryer location

Keep dryer area clear and free from items that would block the air flow for proper dryer operation. This includes clearing piles of laundry in front of the dryer.

## ! WARNING



### Explosion Hazard

Keep flammable materials and vapors, such as gasoline, away from dryer.

Place dryer at least 18 inches (460 mm) above the floor for a garage installation.

Failure to do so can result in death, explosion, or fire.

## Cleaning the dryer interior

### To clean dryer drum

1. Apply a liquid, nonflammable household cleaner to the stained area of the drum and rub with a soft cloth until stain is removed.
2. Wipe drum thoroughly with a damp cloth.
3. Tumble a load of clean cloths or towels to dry the drum.

**NOTE:** Garments that contain loose dyes, such as denim blue jeans or brightly colored cotton items, may discolor the dryer interior. These stains are not harmful to your dryer and will not stain future loads of clothes. Dry these items inside out to avoid drum staining.

## Removing accumulated lint

### From Inside the Dryer Cabinet

Lint should be removed every 2 years, or more often, depending on dryer usage. Cleaning should be done by a qualified servicer.

### From the Exhaust Vent

Lint should be removed every 2 years, or more often, depending on dryer usage.

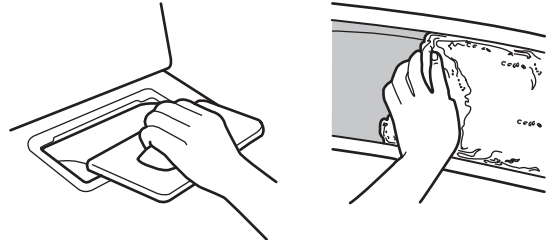
## Cleaning the lint screen

### Every load cleaning

The lint screen is located in the dryer. A screen blocked by lint can increase drying time.

### To clean:

1. Pull the lint screen out of its holder. Roll lint off the screen with your fingers. Do not rinse or wash screen to remove lint. Wet lint is hard to remove.



2. Push the lint screen firmly back into place.

### IMPORTANT:

- Do not run the dryer with the lint screen loose, damaged, blocked, or missing. Doing so can cause overheating and damage to both the dryer and fabrics.
- If lint falls off the screen into the dryer during removal, check the exhaust hood and remove the lint. See Venting Requirements.

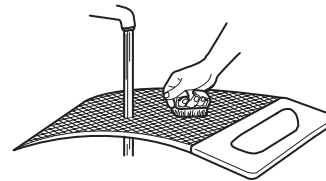
### As needed cleaning

Laundry detergent and fabric softener residue can build up on the lint screen. This buildup can cause longer drying times for your clothes, or cause the dryer to stop before your load is completely dry. The screen is probably clogged if lint falls off while the screen is in the dryer.

Clean the lint screen with a nylon brush every 6 months, or more frequently, if it becomes clogged due to a residue buildup.

### To wash:

1. Roll lint off the screen with your fingers.
2. Wet both sides of lint screen with hot water.
3. Wet a nylon brush with hot water and liquid detergent. Scrub lint screen with the brush to remove residue buildup.



4. Rinse screen with hot water.
5. Thoroughly dry lint screen with a clean towel. Reinstall screen in dryer.

## Vacation, storage, and moving care

### Non-Use or Storage Care

Operate your dryer only when you are at home. If you will be on vacation or not using your dryer for an extended period of time, you should:

1. Unplug dryer or disconnect power.
2. (For gas dryers only): Close shut-off valve to gas supply line.
3. Clean lint screen. See "Cleaning the Lint Screen."

### Moving Care

#### For power supply cord-connected dryers:

1. Unplug the power supply cord.
2. Make sure leveling legs are secure in dryer base.
3. Use tape to secure dryer door.

## ⚠ WARNING



### Electrical Shock Hazard

Disconnect power before servicing.

Replace all parts and panels before operating.

Failure to do so can result in death or electrical shock.

#### For direct-wired dryers:

1. Turn off power at fuse or breaker box.
2. Disconnect wiring.
3. Make sure leveling legs are secure in dryer base.
4. Use tape to secure dryer door.

#### For gas dryers:

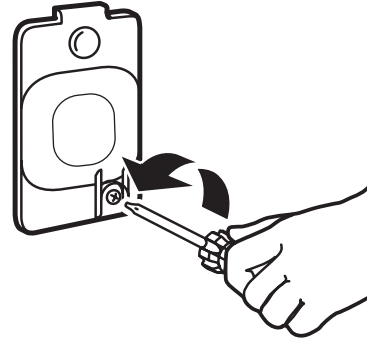
1. Unplug or disconnect power to dryer.
2. Close shut-off valve in gas supply line.
3. Disconnect gas supply line pipe and remove fittings attached to dryer pipe.
4. Cap the open fuel supply line.
5. Make sure leveling legs are secure in dryer base.
6. Use tape to secure dryer door.

### Reinstalling the Dryer

Follow the Installation Instructions to locate, level, and connect the dryer.

## Changing the drum light (on some models)

1. Unplug dryer or disconnect power.
2. Open the dryer door. Locate the light bulb cover on the back wall of the dryer. Using a Phillips-head screwdriver, remove the screw located in the lower right-hand corner of the cover. Remove the cover.



3. Turn bulb counterclockwise. Replace the bulb with a 10-watt appliance bulb only. Replace the cover and secure with the screw.
4. Plug into a grounded outlet or reconnect power.

# TROUBLESHOOTING

First try the solutions suggested here or visit our website at [www.maytag.com/product\\_help](http://www.maytag.com/product_help) -  
In Canada [www.maytag.ca](http://www.maytag.ca) for assistance and to possibly avoid a service call.

If you experience	Possible Causes	Solution
<b>Dryer Operation</b>		
Dryer will not run	Door not closed completely.	Make sure the dryer door is closed completely.
	PUSH to START knob not pressed firmly or held long enough.	Press and hold the PUSH to START knob until you hear the dryer drum moving.
	Household fuse is blown or circuit breaker has tripped.	Electric dryers use 2 household fuses or circuit breakers. The drum may be turning, but you may not have heat. Replace both fuses or reset the circuit breaker. If the problem continues, call an electrician.
	Incorrect power supply.	Electric dryers require 240-volt power supply. Check with a qualified electrician.
	Wrong type of fuse.	Use a time-delay fuse.
Dryer will not heat	Household fuse is blown or circuit breaker has tripped.	The drum may be turning, but you may not have heat. Electric dryers use 2 household fuses or circuit breakers. Replace the fuses or reset the circuit breaker. If the problem continues, call an electrician.
	Incorrect power supply.	Electric dryers require 240-volt power supply. Check with a qualified electrician.
	Supply line valve not open.	For gas dryers, make sure that the valve on the gas supply line is open.
<b>Unusual Noise</b>		
Thumping noise	Dryer hasn't been used in a while.	This is normal. The thumping sound should diminish after a few minutes of use.
Rattling or vibrating noise	A small object caught between the edges of dryer drum.	Check the front and rear edges of the drum for small objects. Clean out pockets before laundering.
	Dryer isn't properly leveled.	The dryer may vibrate if not properly installed. See the Installation Instructions. All four dryer feet should be in firm contact with the floor.
	Clothing is balled up in dryer.	When balled up, the load will bounce, causing the dryer to vibrate. Separate the load items and restart the dryer.
Clicking noise	Gas valve operating.	On gas dryers, you may hear the gas valve clicking as it opens and closes. This is normal.
<b>Dryer Results</b>		
Clothes are not drying satisfactorily or drying times are too long	Lint screen is clogged with lint.	Clean lint screen before each load.
	The exhaust vent or outside exhaust hood is clogged with lint, restricting air movement.	Run the dryer for 5-10 minutes. Hold your hand under the outside exhaust hood to check air movement. If you do not feel air movement, clean exhaust system of lint or replace exhaust vent with heavy metal or flexible metal vent. See Installation Instructions.
	The exhaust vent is not the correct length.	Check that the exhaust vent is not too long or has too many turns. Long venting will increase drying times. See "Installation Instructions".
	The dryer is not level.	Clothes not contacting the moisture sensors during Automatic cycles. See "Level the Dryer" in the Installation Instructions.
	The exhaust vent diameter is not the correct size.	Use 4" (102 mm) diameter vent material.
	The Air Fluff cycle has been selected.	Select the right cycle for the types of garments being dried. See Cycle Guide.
	The load is too large and heavy to dry quickly.	Separate the load to tumble freely.

# TROUBLESHOOTING

First try the solutions suggested here or visit our website at [www.maytag.com/product\\_help](http://www.maytag.com/product_help) -  
In Canada [www.maytag.ca](http://www.maytag.ca) for assistance and to possibly avoid a service call.

If you experience	Possible Causes	Solution
<b>Dryer Results</b>		
Clothes are not drying satisfactorily or drying times are too long (cont.)	Fabric softener sheets are blocking the grille.	The air outlet grille is just inside the door, behind the lint screen. Check that it is not blocked by a fabric softener sheet. Use only one fabric softener sheet, and use it only once.
	The dryer is located in a room with temperature below 45°F (7°C).	Proper operation of dryer cycles requires temperatures above 45°F (7°C).
	The dryer is located in a closet.	Closet doors must have ventilation openings at the top and bottom of the door. The front of the dryer requires a minimum of 1" (25 mm) of airspace, and, for most installations, the rear of the dryer requires 5" (127 mm). See Installation Instructions.
Cycle time is too short	Automatic cycle ending early.	The load may not be contacting the sensor strips. Level the dryer.
		Use Timed Dry for very small loads. Change the Dry Level setting on Sensor Dry/Automatic Dry cycles.
		Increasing or decreasing the Dry Level setting will change the amount of drying time in a cycle.
Lint on load	Lint screen is clogged with lint.	Clean lint screen before each load.
Stains on load	Improper use of fabric softener.	Add dryer fabric softener sheets at the beginning of the cycle. Fabric softener sheets added to a partially dried load can stain your garments.
Stains on drum	Loose dyes in clothes.	Drum stains are caused by dyes in clothing (usually blue jeans). These will not transfer to other clothing.
Loads are wrinkled	The load was not removed from dryer at the end of the cycle.	Use a cycle with Wrinkle Control to tumble the load without heat to avoid wrinkling.
	Dryer tightly packed.	Dry smaller loads that can tumble freely and reduce formation of wrinkles.
Odors	Recent painting, staining, or varnishing in the area where your dryer is located.	Ventilate the area. When the odors or fumes are gone from the area, rewash and dry the clothing.
	The electric dryer is being used for the first time.	The new electric heating element may have an odor. The odor will be gone after the first cycle.
Load too hot	Laundry items were removed from the dryer before the end of the cycle.	Allow Cool Down cycle to finish before removing laundry from dryer. All cycles are cooled slowly to reduce wrinkling and make it easier to handle. Items removed before Cool Down may feel very warm.
	A high temperature cycle was used or Temperature/Fabric control was set to high.	Select a lower temperature, and use an automatic drying cycle. These cycles sense the temperature or the moisture level in the load and shut off when the load reaches the selected dryness. This reduces overdrying.

# MAYTAG® LAUNDRY LIMITED WARRANTY

ATTACH YOUR RECEIPT HERE. PROOF OF PURCHASE IS REQUIRED TO OBTAIN WARRANTY SERVICE.

Please have the following information available when you call the Customer eXperience Center:

- Name, address, and telephone number
- Model number and serial number
- A clear, detailed description of the problem
- Proof of purchase including dealer or retailer name and address

## IF YOU NEED SERVICE:

1. Before contacting us to arrange service, please determine whether your product requires repair. Some questions can be addressed without service. Please take a few minutes to review the Troubleshooting or Problem Solver section of the Use and Care Guide, or visit [https://www.maytag.com/product\\_help](https://www.maytag.com/product_help).
2. All warranty service is provided exclusively by our authorized Maytag Service Providers. In the U.S. and Canada, direct all requests for warranty service to:

### Maytag Customer eXperience Center

In the U.S.A. call 1-800-688-9900. In Canada call 1-800-807-6777.

If outside the 50 United States and Canada, contact your authorized Maytag dealer to determine if another warranty applies.

## TEN YEAR LIMITED WARRANTY

### WHAT IS COVERED

#### FIRST YEAR LIMITED WARRANTY (PARTS AND LABOR)

For one year from the date of purchase, when this major appliance is installed, operated, and maintained according to instructions attached to or furnished with the product, Maytag brand of Whirlpool Corporation or Whirlpool Canada LP (hereafter "Maytag") will pay for factory specified parts and repair labor to correct defects in materials or workmanship that existed when this major appliance was purchased.

#### SECOND THROUGH TENTH YEAR LIMITED WARRANTY (DRUM MOTOR AND STAINLESS STEEL BASKET ONLY - LABOR NOT INCLUDED)

In the second through tenth years from the date of original purchase, when this major appliance is installed, operated, and maintained according to instructions attached to or furnished with the product, Maytag will pay for factory specified parts for the following components to correct non-cosmetic defects in materials or workmanship in these parts that prevent function of this major appliance and that existed when this major appliance was purchased. This is a limited 10 year warranty on the below named parts only and does not include repair labor.

■ Drum (Side Walls Only)

■ Drive Motor

YOUR SOLE AND EXCLUSIVE REMEDY UNDER THIS LIMITED WARRANTY SHALL BE PRODUCT REPAIR AS PROVIDED HEREIN. Service must be provided by a Maytag designated service company. This limited warranty is valid only in the United States or Canada and applies only when the major appliance is used in the country in which it was purchased. This limited warranty is effective from the date of original consumer purchase. Proof of original purchase date is required to obtain service under this limited warranty.

### WHAT IS NOT COVERED

1. Commercial, non-residential, multiple-family use, or use inconsistent with published user, operator, or installation instructions.
2. In-home instruction on how to use your product.
3. Service to correct improper product maintenance or installation, installation not in accordance with electrical or plumbing codes, or correction of household electrical or plumbing (i.e. house wiring, fuses, or water inlet hoses).
4. Consumable parts (i.e. light bulbs, batteries, air or water filters, etc.).
5. Conversion of your product from natural gas or propane gas or reversal of appliance doors.
6. Damage from accident, misuse, abuse, fire, floods, acts of God, or use with products not approved by Maytag.
7. Repairs to parts or systems to correct product damage or defects caused by unauthorized service, alteration, or modification of the appliance.
8. Cosmetic damage including scratches, dents, chips, and other damage to appliance finishes unless such damage results from defects in materials and workmanship and is reported to Maytag within 30 days.
9. Discoloration, rust, or oxidation of surfaces resulting from caustic or corrosive environments, including but not limited to, high salt concentrations, high moisture or humidity, or exposure to chemicals.
10. Pick-up or delivery. This product is intended for in-home repair.
11. Travel or transportation expenses for service in remote locations where an authorized Maytag servicer is not available.
12. Removal or reinstallation of inaccessible appliances or built-in fixtures (i.e. trim, decorative panels, flooring, cabinetry, islands, countertops, drywall, etc.) that interfere with servicing, removal, or replacement of the product.
13. Service or parts for appliances with original model/serial numbers removed, altered, or not easily determined.

**The cost of repair or replacement under these excluded circumstances shall be borne by the customer.**

## DISCLAIMER OF IMPLIED WARRANTIES

IMPLIED WARRANTIES, INCLUDING ANY IMPLIED WARRANTY OF MERCHANTABILITY OR IMPLIED WARRANTY OF FITNESS FOR A PARTICULAR PURPOSE, ARE LIMITED TO TEN YEARS OR THE SHORTEST PERIOD ALLOWED BY LAW. Some states and provinces do not allow limitations on the duration of implied warranties of merchantability or fitness, so this limitation may not apply to you. This warranty gives you specific legal rights, and you also may have other rights that vary from state to state or province to province.

## DISCLAIMER OF REPRESENTATIONS OUTSIDE OF WARRANTY

Maytag makes no representations about the quality, durability, or need for service or repair of this major appliance other than the representations contained in this Warranty. If you want a longer or more comprehensive warranty than the limited warranty that comes with this major appliance, you should ask Maytag or your retailer about buying an extended warranty.

## LIMITATION OF REMEDIES; EXCLUSION OF INCIDENTAL AND CONSEQUENTIAL DAMAGES

YOUR SOLE AND EXCLUSIVE REMEDY UNDER THIS LIMITED WARRANTY SHALL BE PRODUCT REPAIR AS PROVIDED HEREIN. MAYTAG SHALL NOT BE LIABLE FOR INCIDENTAL OR CONSEQUENTIAL DAMAGES. Some states and provinces do not allow the exclusion or limitation of incidental or consequential damages, so these limitations and exclusions may not apply to you. This warranty gives you specific legal rights, and you also may have other rights that vary from state to state or province to province.

# ASSISTANCE OR SERVICE

Before calling for assistance or service, please check "Troubleshooting" or visit [www.maytag.com/help](http://www.maytag.com/help).  
It may save you the cost of a service call. If you still need help, follow the instructions below.  
When calling, please know the purchase date and the complete model and serial number of your appliance.  
This information will help us to better respond to your request.

## If you need replacement parts or to order accessories

We recommend that you use only Factory Specified Parts.  
These parts will fit right and work right because they are made with the same precision used to build every new MAYTAG® appliance.

### To locate factory specified replacement parts, assistance in your area, or accessories:

Maytag Services, LLC  
**1-800-688-9900** [www.maytag.com](http://www.maytag.com)  
Maytag (Accessories)- (US) **1-800-344-1274**  
(CA) **1-800-688-2002**  
[www.maytag.com/accessories](http://www.maytag.com/accessories)

Whirlpool Canada LP  
Customer Assistance  
**1-800-807-6777**  
[www.maytag.ca](http://www.maytag.ca)

or call your nearest designated service center or refer to your Yellow Pages telephone directory.

## Our consultants provide assistance with

### In the U.S.A.

- Features and specifications on our full line of appliances.
- Installation information.
- Specialized customer assistance (Spanish speaking, hearing impaired, limited vision, etc.).

### In the U.S.A. and Canada

- Use and maintenance procedures.
- Accessory and repair parts sales.
- Referrals to local dealers, repair parts distributors, and service companies. Maytag® designated service technicians are trained to fulfill the product warranty and provide after-warranty service, anywhere in the United States and Canada.

You can write with any questions or concerns at:

Maytag Services, LLC  
ATTN: CAIR® Center  
P.O. Box 2370  
Cleveland, TN 37320-2370

Customer eXperience Centre  
Whirlpool Canada LP  
Unit 200-6750 Century Ave  
Mississauga, Ontario L5N 0B7

Please include a daytime phone number in your correspondence.

# ASSISTANCE OU SERVICE

Avant de faire un appel pour assistance ou service, veuillez vérifier la section "Dépannage" ou visiter le site [www.maytag.com/help](http://www.maytag.com/help). Cette vérification peut vous faire économiser le coût d'une visite de réparation.  
Si vous avez encore besoin d'aide, suivre les instructions ci-dessous.

Lors d'un appel, veuillez connaître la date d'achat et les numéros au complet de modèle et de série de votre appareil.  
Ces renseignements nous aideront à mieux répondre à votre demande.

## Si vous avez besoin de pièces de rechange

Si vous avez besoin de commander des pièces de rechange, nous vous recommandons d'utiliser seulement des pièces spécifiées par l'usine. Ces pièces conviendront et fonctionneront bien parce qu'elles sont fabriquées selon les mêmes spécifications précises utilisées pour construire chaque nouvel appareil MAYTAG®.

### Pour trouver des pièces de rechange spécifiées par l'usine dans votre région :

Whirlpool Canada LP - Assistance à la clientèle  
**1-800-807-6777** [www.maytag.ca](http://www.maytag.ca)

ou contacter votre centre de réparation désigné le plus proche ou consulter l'annuaire téléphonique des Pages Jaunes.

## Nos consultants fournissent l'assistance pour :

- Procédés d'utilisation et d'entretien.
- Vente d'accessoires et de pièces de rechange.
- Les références aux concessionnaires, compagnies de service de réparation et distributeurs de pièces de rechange locaux. Les techniciens de service désignés par Whirlpool Canada LP sont formés pour remplir la garantie des produits et fournir un service après la garantie, partout au Canada.

Vous pouvez écrire en soumettant toute question ou tout problème au :

Customer eXperience Centre  
Whirlpool Canada LP  
Unit 200-6750 Century Ave  
Mississauga, Ontario L5N 0B7

Dans votre correspondance, veuillez indiquer un numéro de téléphone où on peut vous joindre dans la journée.

