

RF266

RF263

Refrigerator user manual

imagine the possibilities

Thank you for purchasing your Samsung product.

To receive more complete service,
please register your product at

www.samsung.com/register

SAMSUNG

Features of your new Refrigerator

KEY FEATURES OF YOUR NEW REFRIGERATOR

Your Samsung French Door Refrigerator comes equipped with various innovative storage and energy-efficient features.

- **Twin Cooling System**

The Refrigerator and Freezer have separate evaporators. Due to this independent cooling system, the Freezer and Refrigerator cool more efficiently.

Additionally, this separate air flow system prevents food odor of one compartment from seeping into other compartments.

- **Cool Select Pantry™**

The Cool Select Pantry™ is a full-width drawer with adjustable temperature control.

- **Bigger & Wider Space**

The wide shelf area and pantry provide enough space for larger items such as a pizza box, etc.

The wide freezer drawer also provides enough space for 2~3 turkeys.

- **Secure Auto Close**

The Secure Auto Close feature will automatically close a door that is slightly open.

- **Digital Display and Temperature Control**

- **Water Filtration System**

- **Door Alarm**

A helpful beeper alerts you if the door is ajar.

- **Tilting Pocket**

The Tilting pocket can be used to store up to a 16" pizza.

- **Auto Pull Out Drawer**

The upper drawer in the freezer comes out automatically as you just open the freezer door.

- **Easy Handle**

Freezer door can be opened with less effort.

- **Energy Star**

Energy star labeled this product could save your energy costs.



For easy future reference, write the model and serial number down. You will find your model number and serial number on the left side of the refrigerator.

Model # _____

Serial # _____











Safety Information

SAFETY INFORMATION

Before using your new Samsung French Door Refrigerator, please read this manual thoroughly to ensure that you know how to safely and efficiently operate the features and functions that your new appliance offers.

Because the following instruction covers various models, the characteristics of your Refrigerator may differ slightly from the Refrigerator described in this manual. If you have any question, contact us at 1-800-SAMSUNG or find help and information online at www.samsung.com.

What the icons and signs in this user manual mean :

	Hazards or unsafe practices that may result in severe personal injury or death.
	Hazards or unsafe practices that may result in minor personal injury or property damage.
	To reduce the risk of fire, explosion, electric shock, or personal injury when using your refrigerator, follow these basic safety precautions:
	Do NOT attempt.
	Do NOT disassemble.
	Do NOT touch.
	Follow directions explicitly.
	Unplug the power plug from the wall socket.
	Make sure the machine is grounded to prevent electric shock.
	Call the service center for help.

These warning signs are here to prevent injury to you and others.

Please follow them explicitly

Keep this manual in a safe place for future reference.

SEVERE WARNING SIGNS

 **Do not plug several appliances into the same power receptacle.**

- Large appliances draw a lot of power. Powering more than one appliance or machine from a single power source could cause overheating and cause a fire.

Make sure that the power plug is not kinked or damaged by the back of the Refrigerator.

- A damaged power plug may overheat and cause a fire.

Do not spray water directly into or on the outside of the Refrigerator/Freezer drawer.

- Water could get into the interior machine parts and cause electric shock.

Do not use aerosols near the Refrigerator.

- Aerosols used near the Refrigerator may cause an explosion or fire.

Safety Information

Do not put undue stress on the power cord or place heavy articles on it.

- Placing heavy articles on the power cord create the risk of explosion or fire.

Do not insert the power plug with wet hands.

- It may cause electric shock.

Do not put a container filled with water on the Refrigerator.

- If it spills, it may cause fire or electric shock.

Do not install the Refrigerator in a damp place or place where it may come in contact with water.

- Wet and/or deteriorated insulation of the internal electrical parts may cause electric shock or fire.

Do not store volatile or flammable substances in the Refrigerator.

- Storing benzene, thinner, alcohol, ether, LP gas and other such products may cause explosions.



Do not disassemble or repair the Refrigerator by yourself.

- You run the risk of fire, appliance malfunctions and/or personal injury. Call your nearest service center for help from a qualified service technician.



Unplug the Refrigerator before changing the interior light.

- Changing the light while the Refrigerator is plugged in may cause electric shock.

If you wish to dispose of the Refrigerator, remove the doors and seals before throwing it away.

- The doors(and their seals) can entrap a child if they climb into the Refrigerator. Make sure that the doors are off, and ensure that no one is suffocated by being locked inside.



The Refrigerator must be safely grounded

- Always make sure that you have grounded the Refrigerator before attempting to investigate or repair any part of the appliance. Power leakages can cause severe electric shock.

Never use gas pipes, telephone lines or other potential lightning attractors as an electrical ground.

- Improper use of the grounding plug can result in a risk of electric shock. If it is necessary to use an extension cord to power the Refrigerator, use only a 3-wire extension cord that has a 3-blade ground plug and a 3-slot receptacle that will accept the plug on the appliance. The marked rating of the extension cord should be AC 115V~120V, 10A, or more. Additionally, if a grounding adapter is used, make sure the receptacle box is also fully grounded.

CAUTION SIGNS



Use good judgment when filling the Refrigerator with food and drinks.

- In an overfull Refrigerator, heavy, fragile, bulky or breakable items may fall out and cause personal injury and/or damage to surrounding objects.

Do not put bottles or glass containers in the Freezer drawer.

- When the contents freeze and then expand, the glass may break and cause personal injury or leave dangerous glass shards in the Freezer.

If the electrical wall socket is loose, do not insert the power plug.

- There is a risk of electric shock or fire. Have the plug looked at by a licensed electrician.



Never unplug your Refrigerator by pulling on the power cord.

- Always grip the power cord firmly and pull straight out from the outlet. Yanking or pulling on the power cord may cause a short-circuit, fire and/or electric shock.
- A damaged power cord must be replaced by the manufacturer, a certified service agent or qualified service personnel.

Do not store articles on the top of the appliance.

- When you open or close the door, the articles may fall and cause personal injury and /or damage to surrounding objects.

Do not store pharmaceutical products, scientific materials and temperature-sensitive products in the refrigerator.

- Products that require exact temperature controls should not be stored in the Refrigerator.



Do not allow children to climb, stand or hang on shelves and handles of the Refrigerator. They could damage the Refrigerator and seriously injure themselves.



If you notice chemical or burning plastic smells or see smoke, unplug the Refrigerator immediately and contact your Samsung Electronics Service Center.



After your Refrigerator is in operation, do not touch the cold surfaces in the Freezer compartment. Particularly when hands are damp or wet, skin may adhere to these extremely cold surfaces.

- Skin may stick to the surface and you may get frostbite.


Do not put your hands under the appliance.

- Any sharp edges may cause personal injury.

Never put fingers or other objects into the water dispenser hole or ice chute.

- It may cause personal injury and/or material damage.

Safety Information

 **If the Refrigerator will not be used for a long period of time (for example, over several months), unplug the power from the wall.**

- Over time, deterioration in the power cord insulation may cause fire.

 **Do not use a wet or damp cloth when cleaning the plug.**

Remove any dust or foreign matter from the power plug pins.

- A Dirty power plug can increase the risk of fire.

If the Refrigerator is disconnected from the power supply, you should wait for at least five minutes before plugging it back in.

 **Do not place the equipment directly in sunlight.**

The appliance must be positioned so that the power cord is accessible after installation.

If the power cord is damaged, it must be replaced by the manufacturer, a certified service agent or qualified service personnel.

If you have a long vacation planned, empty the Refrigerator and turn it off.

Wipe excess moisture from the inside and leave the doors open to keep odor and mold from developing.

 **Service Warranty and Modification**

- Any changes or modifications performed by a 3rd party on this finished appliance is not covered under Samsung warranty service, nor can Samsung be responsible for safety issues that result from 3rd party modifications.



Children can get trapped inside Refrigerators.

Before you throw away your old Refrigerator or Freezer, make sure that you;

- Take off the doors.
- Leave all shelves in places so that children may not easily climb inside and shut the door while they are inside.



This appliance is not intended for use by small children or infirm persons without capable, adult supervision. Small children should be supervised when using the appliance.

 **Do not block air holes**

- If the air holes are blocked, especially with plastic bag, refrigerator can be over cooled. If this cooling period lasts long, water filter will be broken and cause water leakage.

Contents

SETTING UP YOUR FRENCH DOOR REFRIGERATOR

08

- 08 Getting ready to install the refrigerator
- 09 Setting up the refrigerator
- 09 Removing the refrigerator doors
- 11 Reattaching the refrigerator doors
- 13 Adjusting the doors
- 14 Making minor adjustments between doors
- 15 Adjusting the freezer drawer
- 16 Checking the water dispenser line
- 17 Installing the water line

OPERATING YOUR SAMSUNG FRENCH DOOR REFRIGERATOR

19

- 19 Using the control panel
- 20 Using the digital display
- 21 Controlling the temperature
- 21 Using the cold water dispenser
- 22 Parts and Features
- 23 Storing food
- 24 Using the Cool Select Pantry™
- 25 Removing the refrigerator accessories
- 26 Using the doors
- 27 Removing the freezer drawer accessories
- 28 Cleaning the refrigerator
- 29 Changing the interior lights
- 30 Changing the water filter

TROUBLESHOOTING

35

- 35 Troubleshooting

WARRANTY INFORMATION

36

- 36 Warranty Information

Setting up your French Door Refrigerator

GETTING READY TO INSTALL THE REFRIGERATOR

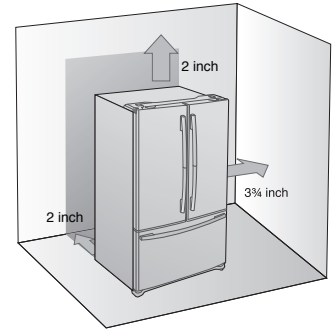
Congratulations on your purchase of the Samsung French Door Refrigerator. We hope you enjoy the state-of-art features and efficiencies that this new appliance offers.

Selecting the best location for the Refrigerator

- A location with easy access to the water supply.
- A location without direct exposure to sunlight.
- A location with level (or nearly level) flooring.
- A location with enough space for the Refrigerator doors to open easily.
- Allow sufficient space for air circulation of the internal cooling system.

If the Refrigerator does not have enough space, the internal cooling system may not work properly.

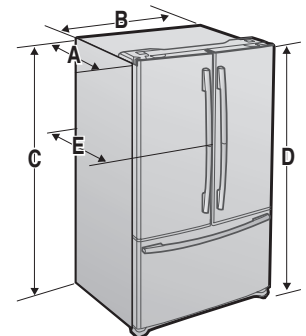
If your refrigerator has an ice maker, allow extra space at the back for the water line connections. When you install the refrigerator next to a fixed wall, minimum clearance is 3 ¾" (95mm) between the refrigerator and wall to allow the door to swing open.



First thing! Make sure that you can easily move your Refrigerator to its final location by measuring doorways (both width and height), thresholds, ceilings, stairways, etc.

The following chart details the exact height and depth of Samsung French Door Refrigerator.

Model	Depth "A"	Width "B"	Height "C"	Overall Height "D"	Depth "E"
RF266	29- 1/8"	35- 3/4"	68- 5/8"	69- 3/4"	35- 5/8"
RF263	(83.6cm)	(90.8cm)	(174.4cm)	(177.4cm)	(90.5cm)

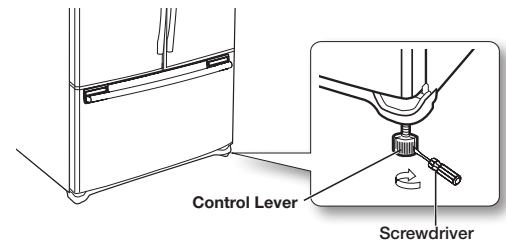


- ☑ Allow clearance to the right, left, back and top when installing. This will help reduce power consumption and keep your energy bills lower.
- **Do not install the Refrigerator where the temperature will go below 10 °C.**

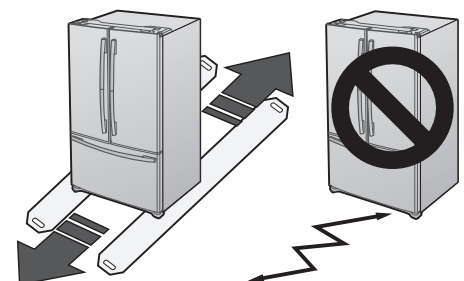
When moving your refrigerator

To prevent floor damage be sure the front levelling legs are in the up position (above the floor). Refer to 'Levelling the refrigerator' in the manual.

To protect the finish of the flooring, place the protection sheet such as packing carton under the refrigerator.



CAUTION When installing, servicing or cleaning behind the refrigerator, be sure to pull the unit straight out and push back in straight after finishing.

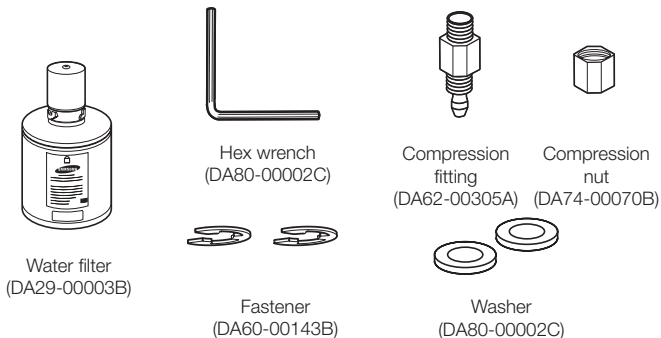


SETTING UP THE REFRIGERATOR

Now that you have your new Refrigerator installed and in place, you are ready to set up and enjoy the features and functions of the appliance.

By completing the following steps, your Refrigerator should be fully operational.

1. Place the Refrigerator in an appropriate location with reasonable clearance between the wall and the Refrigerator. Refer to installation instructions in this manual.
2. Once the Refrigerator is plugged in, make sure the interior light comes on when you open the doors.
3. Set the Temperature control to the coldest temperature and wait for an hour. The Freezer will get slightly chilled and the motor will run smoothly.
4. After powering the Refrigerator, it will take a few hours to reach the appropriate temperature. You can store food and drinks in the Refrigerator once the temperature is sufficiently cool.

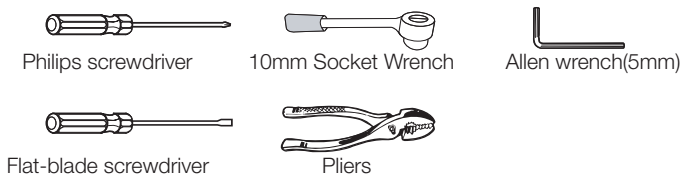


Check the accessory list below.

REMOVING THE REFRIGERATOR DOORS

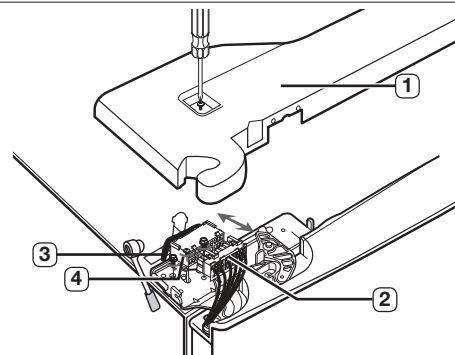
If your entrance won't allow the Refrigerator to pass easily through it, you can remove the doors.

Tools you will need

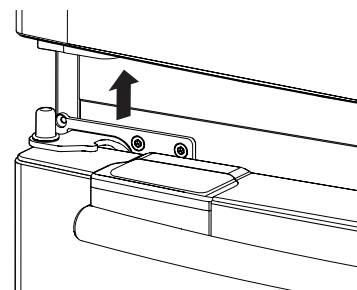


Disassemble the Refrigerator doors

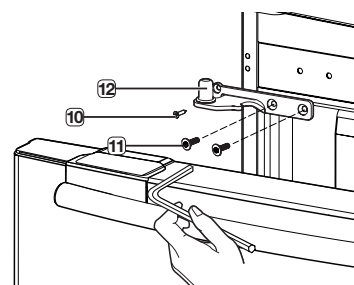
1. With the door closed, remove the top table(1) using a Philips screwdriver, and then disconnect the wires(2). Remove hinge screws(3) and ground screw(4)



2. Lift the door straight up to remove.



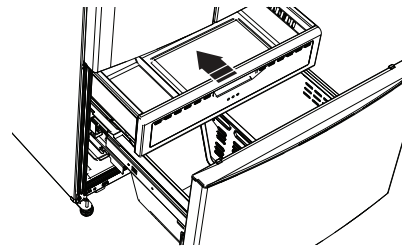
3. With a Philips head screwdriver, remove the two screws(10) attached to the lower left and right door hinges. With an Allen Wrench(5mm), remove the two hex head bolts(11) attached to the lower left and right door hinges. Remove the lower left and right door hinges(12).



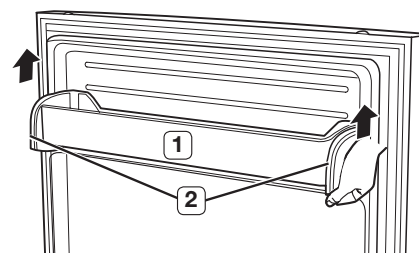
Setting up your French Door Refrigerator

Disassemble the Freezer drawer

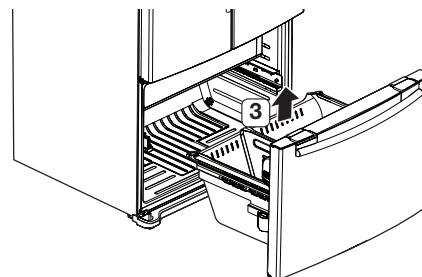
1. Push the upper drawer until it reaches to the cabinet rear wall.



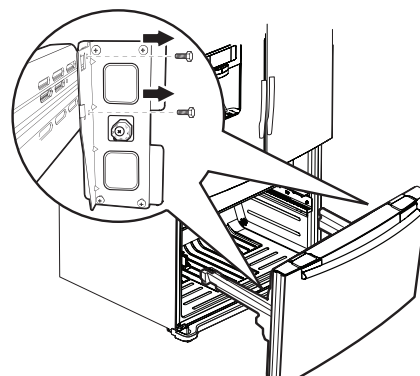
2. Remove the tilting pocket(1) by pulling on both brackets(2) upward at the same time.



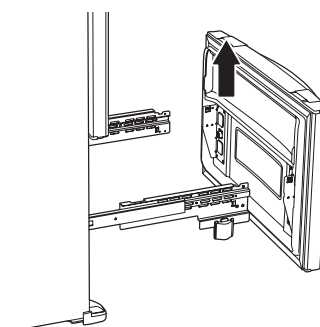
3. Take out the lower basket(3) by lifting the basket up from rail system.



4. Remove four 10mm hex-head bolts from both sides.



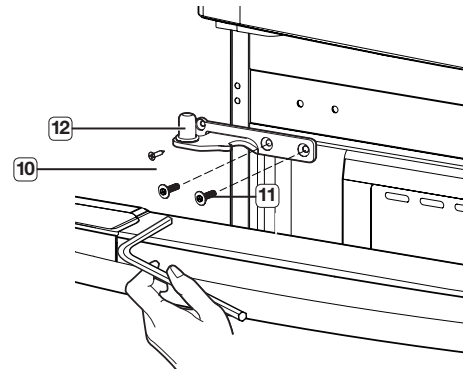
5. Lift the freezer door up from the rails.




REATTACHING THE REFRIGERATOR DOORS

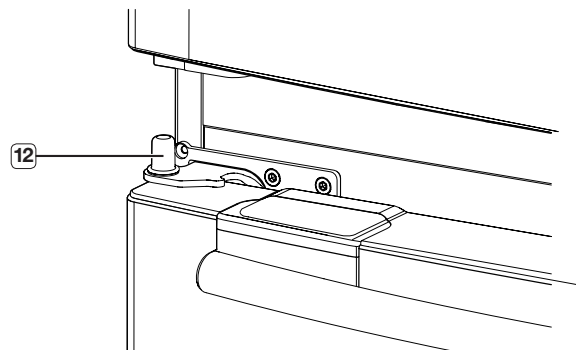
Assemble the Refrigerator doors

1. Reattach two flat head screws(1) and two hex head screws(2) to the hinge completely.

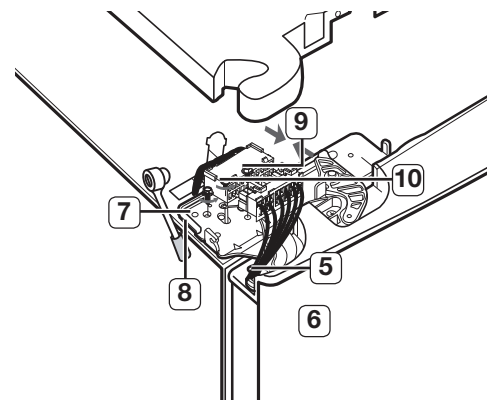


2. Place the hole in the bottom of the door(3) over the lower hinge (4)


 Be aware not to miss the hinge cap because it can be easily taken off.

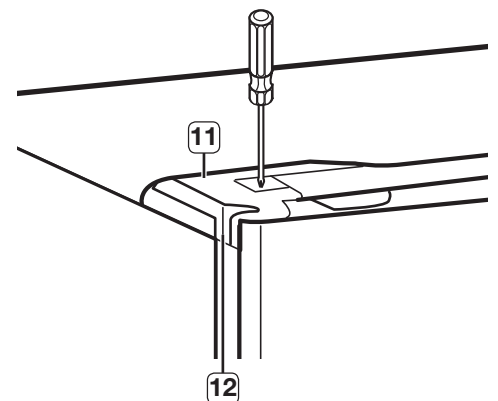


3. Insert the upper hinge shaft(5) into the hole on the corner of the Refrigerator door(6). Make sure the hinge is level between the upper hinge hole(7) and the hole of the cabinet(8) and reattach the hinge screws(9) and ground screw(10) by turning in a clockwise direction. Reconnect the wires.



4. Place the front edge of the top table(11) on the front of the upper hinge(12) and reattach with three screws.

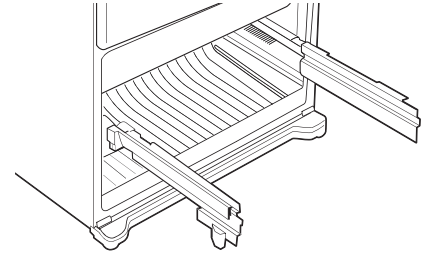
 When reattaching the top table, make sure that the wires are not pressed or damaged by the top table.



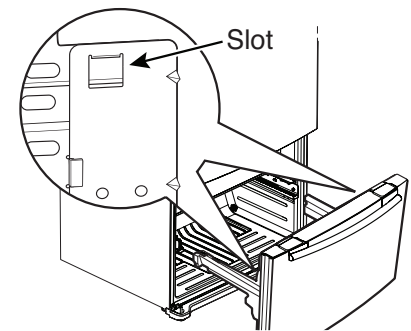
Setting up your French Door Refrigerator

ASSEMBLE THE FREEZER DRAWER

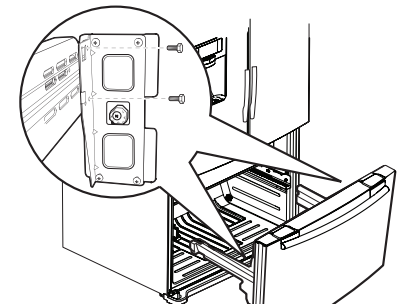
1. Pull out the rails to the full length on each side of the cabinet evenly.



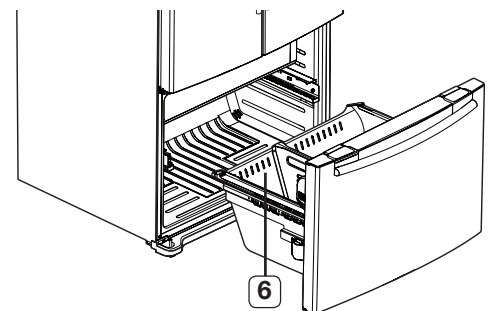
2. Hang the freezer door front onto open slots on the sides.



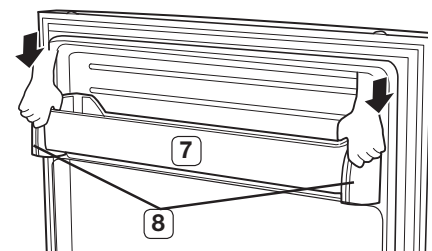
3. Tighten four 10mm hex-head screws completely.



4. With the drawer pulled out fully, insert the lower basket (6) into the rail system.



5. Hook the ends of the tilting pocket (7) into both brackets (8), and push down until they lock into place.

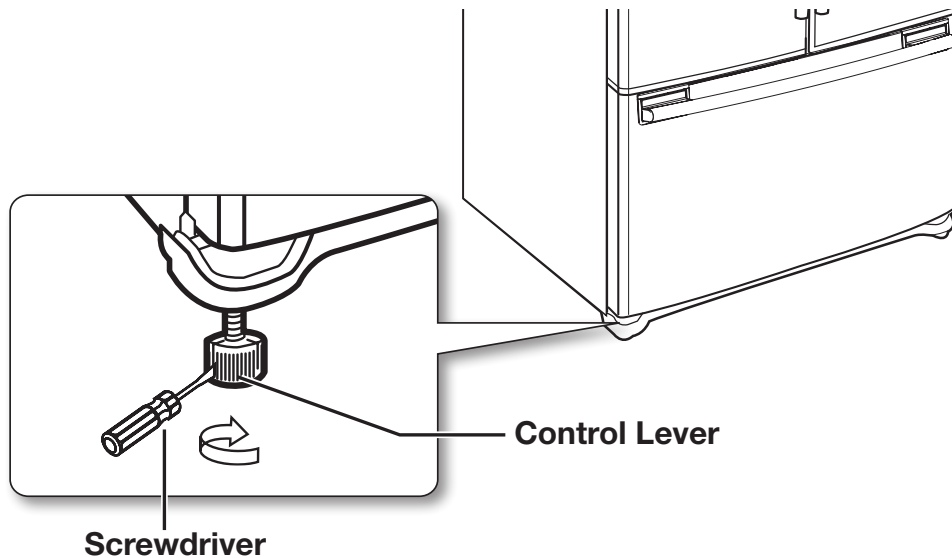


ADJUSTING THE DOORS

Now that the doors are back on the Refrigerator, you want to make sure the Refrigerator is level so you can make final adjustments. If the Refrigerator is not level, it will not be possible to get the doors perfectly even.

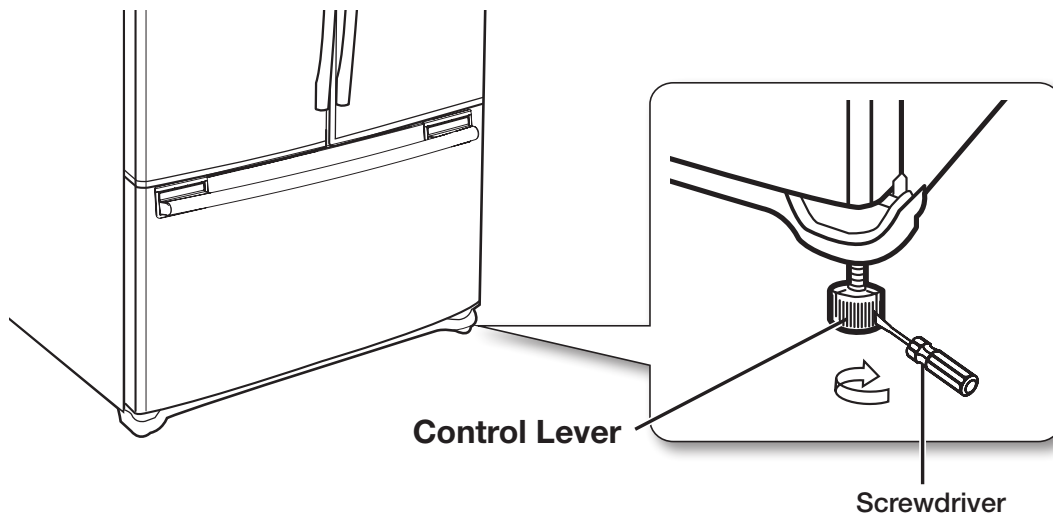
When the Left door is lower than the Right door.


Insert a flat-blade screwdriver into a notch on the left control lever, turn it clockwise or counter-clockwise to level the left door.



When the Left door is higher than the Right door.

Insert a flat-blade screwdriver into a notch on the right control lever, turn it clockwise or counter-clockwise to level the right door.



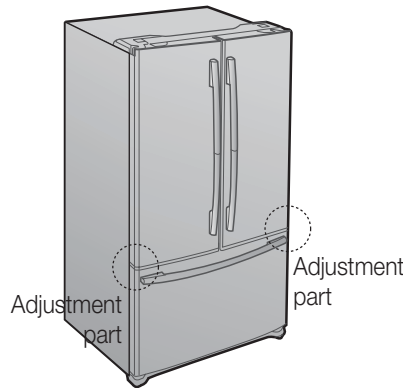
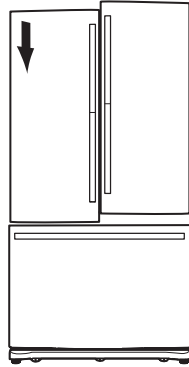
 We do not recommend making small adjustments with the control lever. Instead, refer to the next page for the best way to make minor adjustments to the doors.

Setting up your French Door Refrigerator

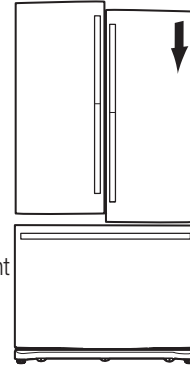
MAKING MINOR ADJUSTMENTS BETWEEN DOORS

Remember a level Refrigerator is necessary for getting the doors perfectly even. If you need help, review the previous section on leveling the Refrigerator.

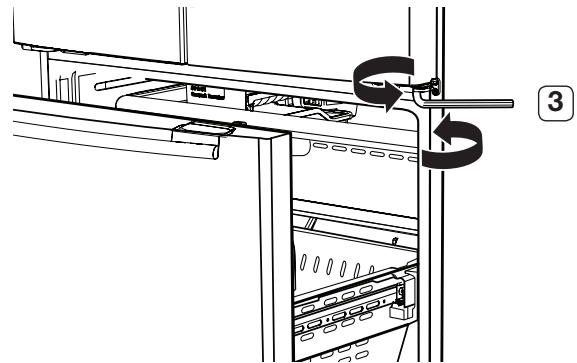
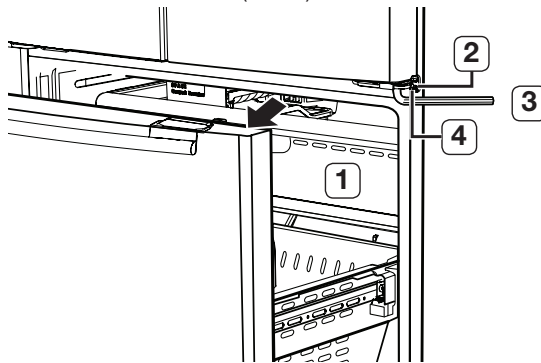
When the left door is lower than the right door.



When the left door is higher than the right door.

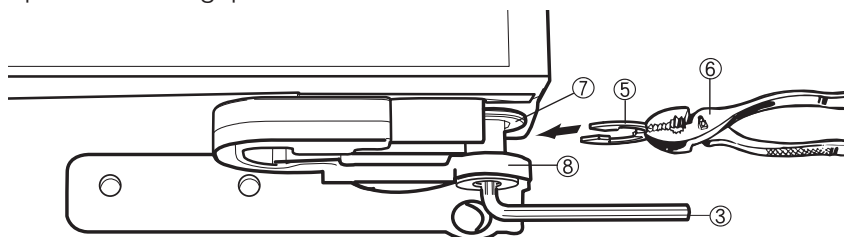



1. If you open the drawer (1), you can see the lower hinge (2).
2. Insert the supplied Allen Wrench(5mm) (3) into the shaft (4) of the lower hinge.
3. Please adjust the height by turning the Allen Wrench(5mm) (3) clockwise(↻) or counter-clockwise(↺).



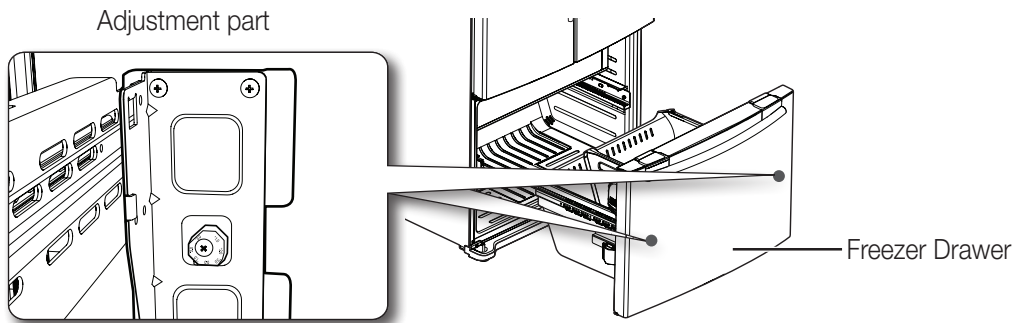
 when you turn the Allen Wrench(5mm) counter-clockwise(↺), the door will move up.

1. After adjusting the doors, please insert the supplied fastener-ring (5) using a pair of pliers (6) in the gap between the hinge-grommet (7) and the lower hinge(8). The number of fastener-rings you'll need to insert depends on the gap.

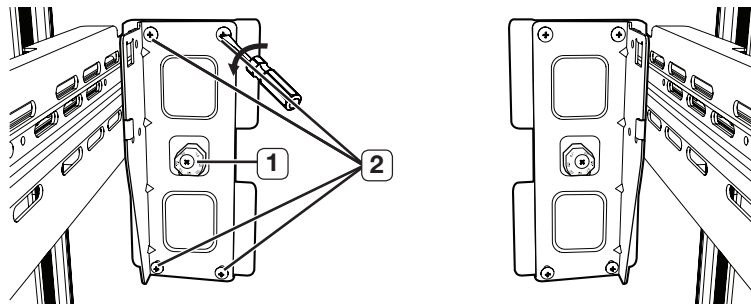


 Two fastener-rings are enclosed with the refrigerator.
Thickness of each fastener-ring is 0.04 inch.

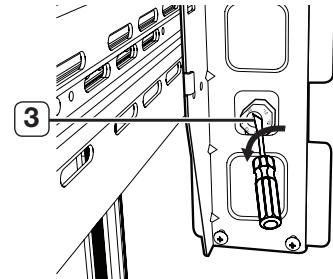
ADJUSTING THE FREEZER DRAWER LEVEL



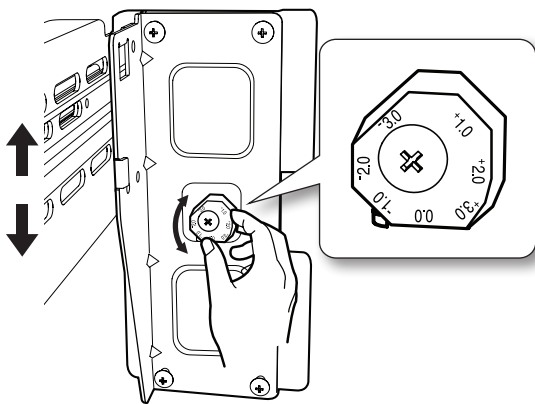
1. Locate the height-adjuster (1) in the freezer drawer.
Unscrew the four Phillips screws (2) slightly to loosen the door.



2. Loosen the controller screw (3) with a Phillips screwdriver.



3. Find the best level to align the door slope.



Example) The slope is about 2mm (0.08inch) as shown below.

Slope

Reference plane

- Rotate the Height Adjuster to +2.0 to reduce the door slope.

→ After adjustment, first tighten screw (3) and then screw (2).

Setting up your French Door Refrigerator

CHECKING THE WATER DISPENSER LINE


A water dispenser is just one of the helpful features on your new Samsung Refrigerator. To help promote better health, the Samsung water filter removes unwanted particles from your water. However, it does not sterilize or destroy microorganisms. You may need to purchase a water purifying system to do that.

In order for the ice maker to operate properly, a water pressure of 20~125 psi (pound per square inch) is required.

Under normal conditions, a 170 cc (5.75 oz.) paper cup can be filled in 10 seconds.

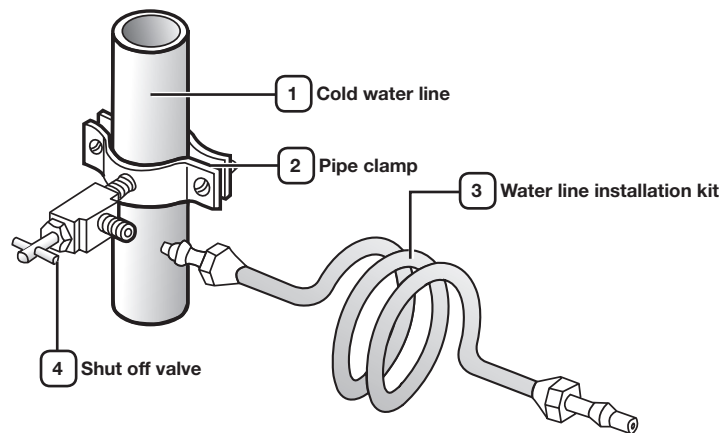
If the Refrigerator is installed in an area with low water pressure (below 20psi), you can install a booster pump to compensate for the low pressure.

Make sure the water storage tank inside the Refrigerator is properly filled. To do this, press the water dispenser lever until the water runs from the water outlet.

 Water line installation kits are available at extra cost from your dealer. We recommend using a water supply kit that contains copper tubing.

Connecting to the water supply line

1. First, shut off the main water supply line and turn the ice-maker off.
2. Locate the nearest cold, drinking water line.
3. After connecting the water supply to the water filter, turn your main water supply back on and flush four or more gallons into a bucket to clear and prime the water filter.

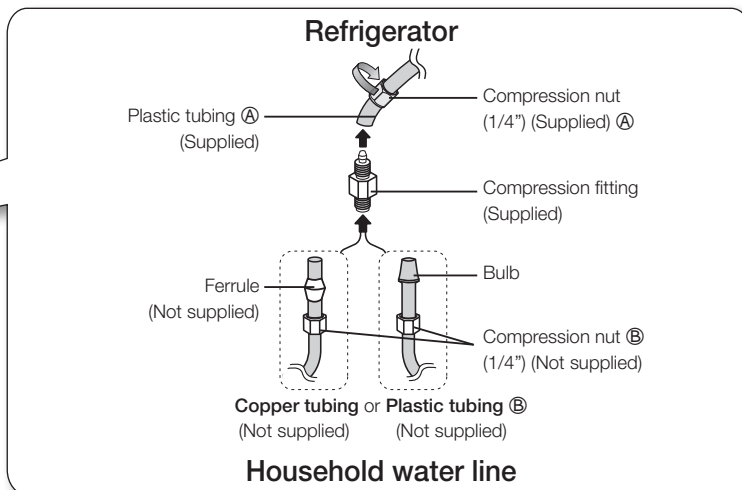
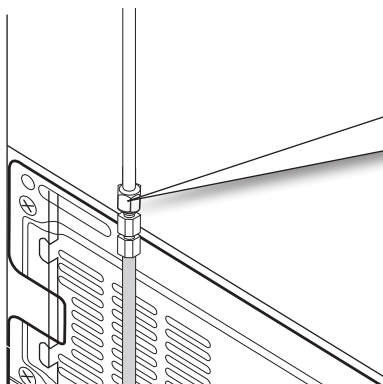


INSTALLING THE WATER LINE

Connecting the water line to the Refrigerator.

There are several items that you need to purchase to complete this connection. You may find these items sold as a kit at your local hardware store.

- 1/4" compression nut
- copper tubing
- plastic tubing
- ferrule



1. Slip the compression nut (A) through the supplied plastic tubing (A).
2. Tighten the compression nut (A) onto the 1/4" compression fitting.
 - If you are using copper tubing, slip the compression nut (B) (not included) and ferrule (not included) on copper tubing (not included) as shown.
 - If you are using plastic tubing (B), insert the molded end(Bulb) of the plastic tubing (B) into the compression fitting.



Do not use without the molded end(Bulb) of the plastic tubing (B).

3. Tighten the compression nut (B) onto the compression fitting. Do not over-tighten the compression nut (B).
4. Turn water on and check for any leakage.

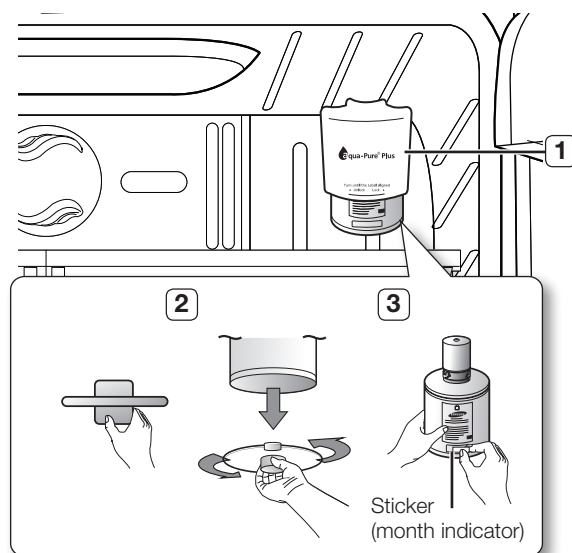


Only connect the water line to a drinkable water source.

If you have to repair or disassemble the water line, cut off 1/4" of the plastic tubing to make sure you get a snug, leak-free connection.

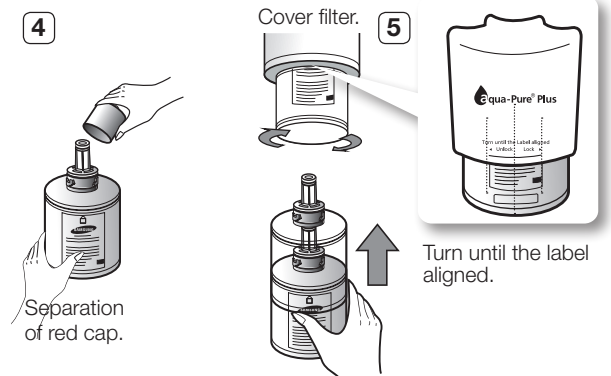
Installing the water filter.

1. Remove the water filter cover (1)
2. Remove the fixed cap by turning it counter clockwise. Keep the cap in a safe place for later use if you don't use the filter.
3. Remove the water filter from the box and put a replacement indicator sticker on the filter as shown. Place a sticker on the filter that dates six months in the future. For example, if you install the water filter in March, put the "SEP" sticker on the filter to remind you to replace in September. That way you'll know when it is time to replace the filter. Normally, a filter life is about 6 months.



Setting up your French Door Refrigerator

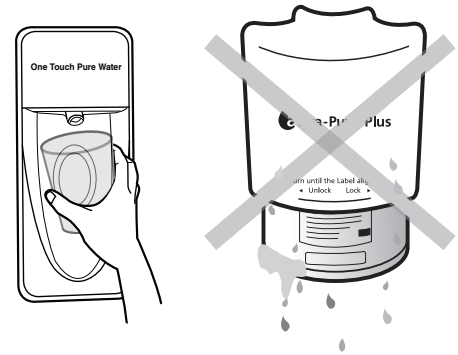
4. Remove the filter cap and insert the filter into the filter housing.
5. Slowly turn the water filter 90° clockwise to align with the printing mark on the cover, locking the filter in position. Make sure to align the water filter label mark with center of cover filter printing as illustrated. Remember, do not over-tighten.




 You should remove the right side upper glass shelf before installing water filters.

Removing any residual matter inside the water supply line after installing the water filter.

1. Turn ON the main water supply & turn OFF the valve to the water supply line.
2. Run water through the dispenser until the water runs clear (approx. 6-7 minutes). This will clean the water supply system and remove air from the lines.
3. Additional flushing may be required in some households.
4. Open the Refrigerator door and make sure there are no water leaks coming from the water filter.

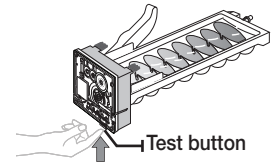


 Be sure to flush the dispenser thoroughly or water may drip from the dispenser. This is due to the fact that there is still air in the line.

Test button

CAUTION

In case ice doesn't come out, pull out the ice bucket and press test button located on the right side of ice maker.



Reverse Osmosis Water Supply

IMPORTANT : The pressure of the water supply coming out of a reverse osmosis system going to the water inlet valve of the refrigerator needs to be between 35 and 120 psi (241 and 827 kPa).

If a reverse osmosis water filtration system is connected to your cold water supply, the water pressure to the reverse osmosis system needs to be a minimum of 40 to 60 psi (276 to 414 kPa.)

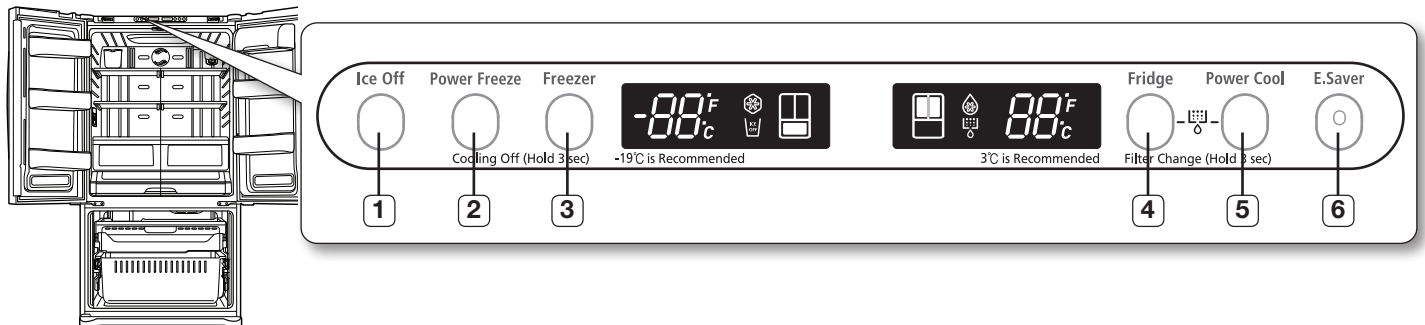
If the water pressure to the reverse osmosis system is less than 40 to 60 psi (276 to 414 kPa):

- Check to see whether the sediment filter in the reverse osmosis system is blocked. Replace the filter if necessary.
- Allow the storage tank on the reverse osmosis system to refill after heavy usage.
- If your refrigerator has a water filter, it may further reduce the water pressure when used in conjunction with a reverse osmosis system. Remove the water filter.

If you have questions about your water pressure, call a licensed, qualified plumber.

Operating your SAMSUNG French Door Refrigerator

USING THE CONTROL PANEL



(1) Ice Off Button

Press the **Ice off** button if you want to turn the ice-maker off.

(2) Power Freeze Button

Speeds up the time needed to freeze products in the Freezer. It can be helpful if you need to quickly freeze easily spoiled items or if the temperature in the Freezer has warmed dramatically (for example, if the door was left open).

(3) Freezer Button

Press the **Freezer** button to set the Freezer to your desired temperature. You can set the temperature between -14°C and -25°C.

(4) Fridge Button

Press the **Fridge** button to set the fridge to your desired temperature. You can set temperature between 1°C and 7°C.

(5) Power Cool Button

Speeds up the time needed to cool products in the Refrigerator. It can be helpful if you need to quickly cool easily spoiled items or if the temperature in the fridge has warmed dramatically (For example, if the door was left open).

(6) E. Saver Button

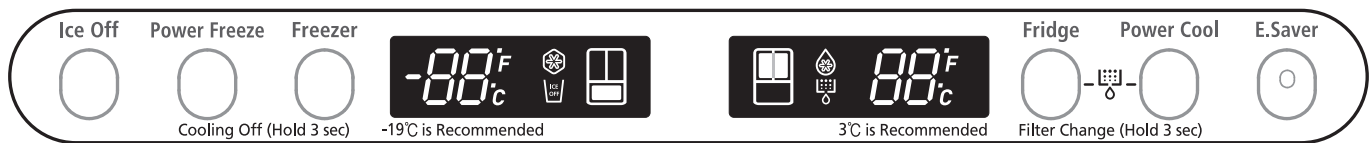
For better energy efficiency, press **E.Saver** button. However, if condensation occurs on the door, turn the E.Sasver function off.

Operating your SAMSUNG French Door Refrigerator

USING THE DIGITAL DISPLAY

“Freezer Temp” indicates the current Freezer temperature.

“Fridge Temp” indicates the current Refrigerator temperature.



Power Freeze

This icon will light up when you activate the “**Power Freeze**” feature. “**Power Freeze**” is great when you need a lot of ice.

When you have enough ice, just press the button again to cancel the “**Power Freeze**” mode.

If you select “**Power Freeze**”, the inside temperature of the Freezer will decrease for about two and a half hours.

Ice maker off

If you don't need ice, press the “**Ice off**” button to save on water and energy consumption.

Power Cool

This icon will light up when you activate the “**Power Cool**” button. For a quick fridge cool down, use “**Power Cool**”.

If you select “**Power Cool**”, the inside temperature of the Fridge will decrease for about two and a half hours.

Filter Indicator

When the filter indicator light is on, it is time to change the filter. Typically this happens about every 6 months.

The filter Indicator will be Blue when you initially insert the water filter.

The filter Indicator will be Light Pink when you have used your water filter for 5 months.

The filter Indicator will be Red when you have used your water filter for 6 months.

After removing the old water filter and installing a new one (see page 30 for instructions on how to do this), reset the indicator by pressing the “**Fridge**” and “**Power Cool**” button simultaneously for about 3 seconds.

Cooling Off Mode (“OF & OF” code on the display)



This function is for store display refrigerators. It is not for customer use.



In Cooling Off Mode, the refrigerator works but doesn't make cool air. To cancel this mode, press the Power Freeze and Freezer buttons at the same time for 3 seconds until a “Ding-dong” sound is heard and the unit will now cool.

CONTROLLING THE TEMPERATURE

Controlling the Freezer temperature

The Freezer temperature can be set between -14°C and -25°C to suit your particular needs. Press the Freezer button repeatedly until the desired temperature is shown in the temperature display. Keep in mind that foods like ice cream may melt at -15°C .

The temperature display will move sequentially from -25°C to -14°C . When the display reaches -14°C , it will begin again at -25°C .


Five seconds after the new temperature is set, the display will again show the actual current freezer temperature until the new temperature is reached.

Controlling the Refrigerator temperature

The Refrigerator temperature can be set between 7°C and 1°C to suit your particular needs. Press the Fridge button repeatedly until the desired temperature is shown in the temperature display.

The temperature control process for the Fridge works just like the Freezer process.

Press the Fridge button to set your desired temperature. After a few seconds, the Fridge will begin adjusting towards the newly set temperature. This will be reflected in the digital display.

 The temperature of the Freezer or the Refrigerator may rise from opening the doors too frequently, or if a large amount of warm or hot food is placed in either side.

This may cause the digital display to blink. Once the Freezer and Refrigerator temperature return to their normal set temperatures, the blinking will stop.

If the blinking continues, you may need to “reset” the Refrigerator. Try unplugging the appliance, wait for around 10 minutes and then plug the power cord back in.

USING THE COLD WATER DISPENSER

Using the Water dispenser (RF266AB)

Place a glass underneath the water outlet and push gently against the water dispenser lever with your glass. Make sure the glass is in line with the dispenser to prevent the water from splashing out.



When you do not use the water dispenser for 2~3 days (especially during the summer), the dispensed water may have a funny smell or taste. If this occurs, we recommend that you discard the first 1~2 glasses for better tasting water.

If you have just installed the Refrigerator or just installed a new water filter, pour out the first six glassfuls of water to flush out impurities in the water supply system. Make sure water flows cleanly before drinking.



If you have a long vacation or business trip, close the water valve and shut off the water supply to the Refrigerator. This will help prevent accidental leakages.

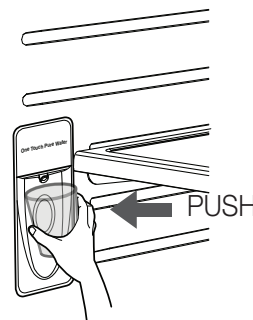


Water clouding phenomenon

All water provided to refrigerators flows through the core filter which is an alkaline water filter. In this process, the pressure in the water that has flowed out of the filter gets increased, and oxygen and nitrogen become saturated. When this water flows out in the air, the pressure plummets and the oxygen and nitrogen get supersaturated so that they turn into gas bubbles. The water could look misty due to these oxygen bubbles. The water may look temporarily cloudy due to these oxygen bubbles. After a few seconds, the water will look clear.



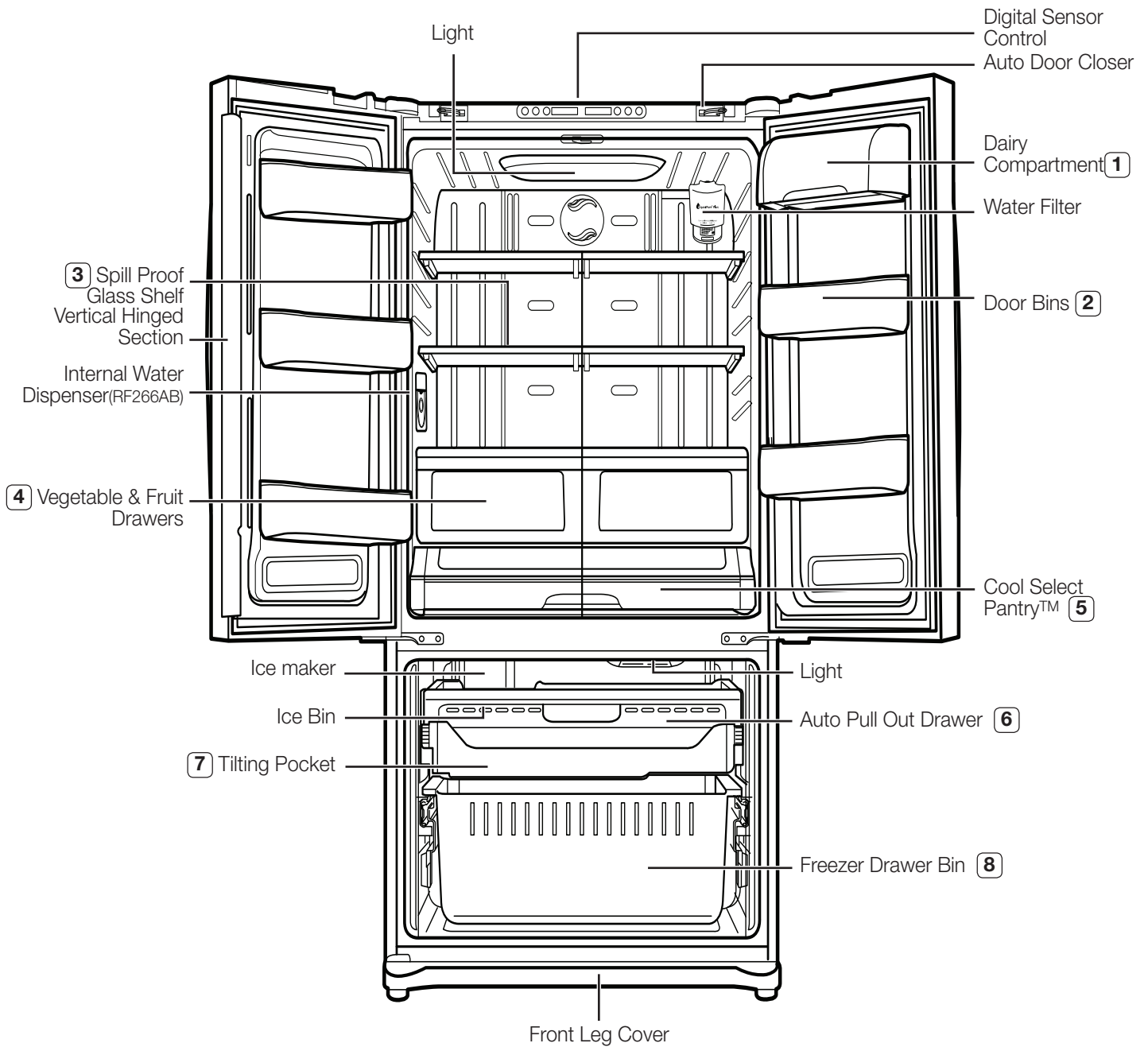
Please wait 1 second before removing the cup after dispensing water to prevent spills.



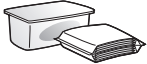




Operating your SAMSUNG French Door Refrigerator wherever it appears


PARTS AND FEATURES

Use this page to become more familiar with the parts and features of the Refrigerator.


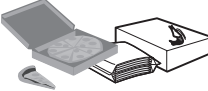





STORING FOOD IN THE REFRIGERATOR

(1) DAIRY COMPARTMENT	Can be used to store small dairy items like butter or margarine, yogurt or cream cheese bricks	
(2) DOOR BINS	Designed to handle large, bulky items such as gallons of milk or other large bottles and containers.	
(3) TEMPERED GLASS SHELVES	Designed to be crack-resistant, the shelves can be used to store all types of food and drinks. Circular marks on the glass surface are a normal phenomenon and can usually be wiped clean with a damp cloth.	
(4) VEGETABLE & FRUIT DRAWERS	Used to preserve the freshness of your stored vegetables and fruits. This drawer has been specifically designed to control the level of humidity within the compartment. Keep vegetables and fruits separate if possible.	
(5) COOL SELECT PANTRY™	Can be used for large party trays, deli items, pizza, beverages or miscellaneous items.	

-  Do not place any large articles of food under the lamp in the Refrigerator. An air sensor is located near the lamp and if the sensor is blocked, your Refrigerator may become too cold. Please place Vegetable and Fruits in the Vegetable and Fruits drawers to avoid freezing them, if the foods in your Refrigerator become frozen, please set the temperature higher.

STORING FOOD IN THE FREEZER DRAWER

(6) AUTO PULL OUT DRAWER	Best use to store meats or dry foods. Stored food should be placed in a container or wrapped securely using foil or other suitable wrapping materials.	
(7) TILTING POCKET	Can be used for small packages of frozen food. You can store a 16" pizza.	
(8) FREEZER DRAWER BIN	Can be used to store meat and dry foods. Stored food should be placed in a container or wrapped securely using foil or other suitable wrapping materials.	

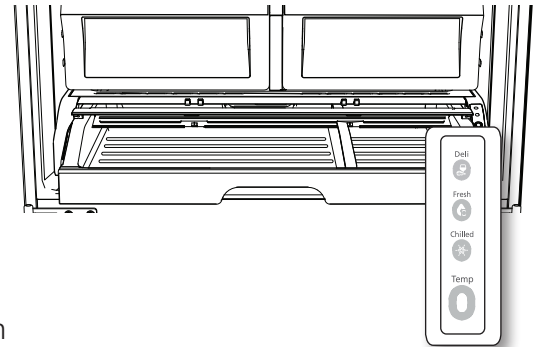
-  Bottles should be stored tightly together so that they do not tip and fall out when the Refrigerator door is opened.
-  If you plan to go away for a long time, empty the Refrigerator and turn it off. Wipe the excess moisture from the inside of the appliance and leave the doors open. This helps keep odor and mold from developing.

USING THE COOL SELECT PANTRY™

The Cool Select Pantry™ is a full-width drawer with adjustable temperature control. This pantry can be used for large party trays, deli items, pizza, beverages or miscellaneous items.

There is a temperature control which can adjust the amount of cold air allowed into the pantry.

The control is located on the right side of the pantry.



Selection Button

1. When “Deli” is selected, the temperature of the pantry can be kept around 5°C. This feature helps keep food fresh for a long time.

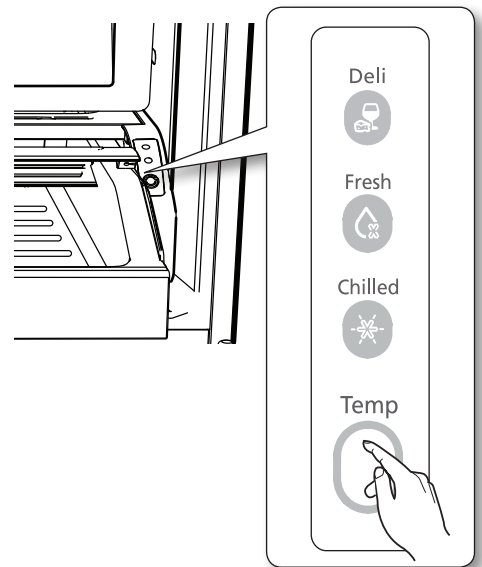
Pantry temperature can be maintained under recommended temperature setting (Freezer: -19°C, Fridge: 3°C)

2. When “Fresh” is selected, the temperature of the pantry can be kept around 3°C. This feature helps keep food fresh for a longer time.

Pantry temperature can be maintained under recommended temperature setting (Freezer : -19°C, Fridge : 3°C)

3. When “Chilled” is selected, the temperature of the pantry can be kept around 1°C. This feature also helps keep meat or fish fresh for a longer time.

Pantry temperature can be maintained under recommended temperature setting (Freezer : -19°C, Fridge : 3°C)



Deli

- pineapple
- lemon
- avocado
- potato

Fresh

- cucumbers
- apples
- oranges
- grapes
- zucchinis
- corn

Chilled

- steaks
- hard cheeses
- cold cuts
- bacon
- hot dogs



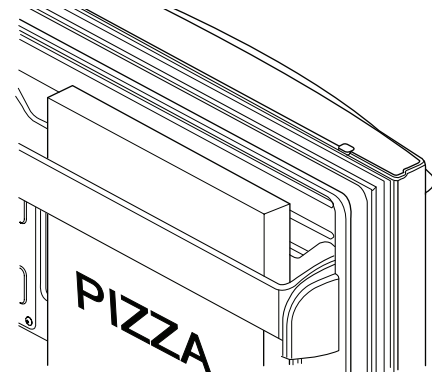
Fruits and vegetables may be damaged when the “chilled” mode is set. Do not store lettuce or other leafy produce in this pantry.



Do not store glass bottles in this pantry. If they are frozen, they can break and cause personal injury.

USING THE TILTING POCKET

The Tilting Pocket can be used to store up to a 16” pizza if you place it shown in the illustration.




Operating your SAMSUNG French Door Refrigerator


REMOVING THE REFRIGERATOR ACCESSORIES

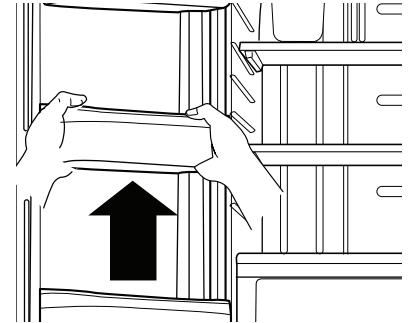
1. Door Bins & Dairy Compartment

To remove - Simply lift the bin up and pull straight out.

To replace - Slide it in above the desired location and push down until it stops.

 **CAUTION** Injury may occur if the door bins are not firmly assembled. Do not allow children to play with bins. Sharp corners of the bins may cause injury.


 Do not adjust a bin that is loaded with food

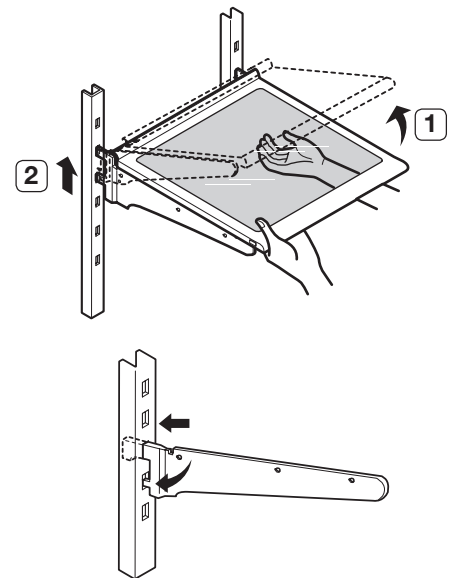


2. Tempered Spill Proof Glass Shelves

To remove - Tilt the front of the shelf in the direction shown (1) and lift it up vertically (2). Pull the shelf out.

To replace - Tilt the front of the shelf up and guide the shelf hooks into the slots at a desired height. Then lower the front of the shelf so that the hooks drop into the slots.

 **CAUTION** Glass shelves are heavy. Use special care when removing them.



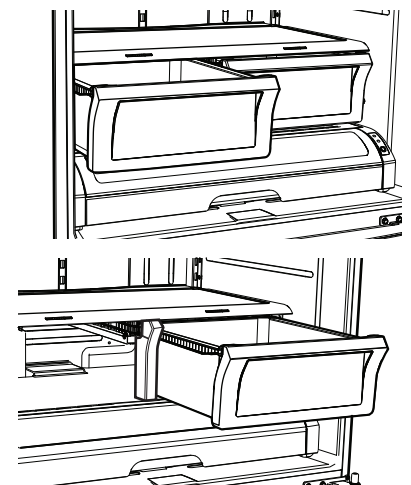
3. Vegetable & Fruit Drawers

To remove - Pull the drawer out to full extension. Tilt up the front of drawer and pull straight out.

To replace - Insert the drawer into the frame rails and push back into place.

 **CAUTION** The glass shelf over the drawer is not firmly secured. Be careful when lifting.

Do not open the drawer while the pantry is open. It may cause scratch or breakage to its cover.

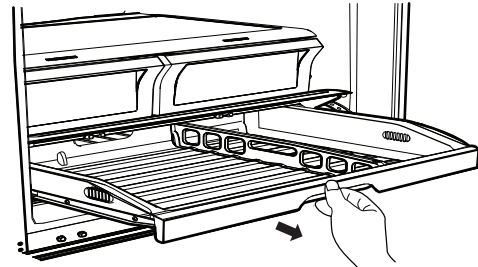


Operating your SAMSUNG French Door Refrigerator

4. Cool Select Pantry™

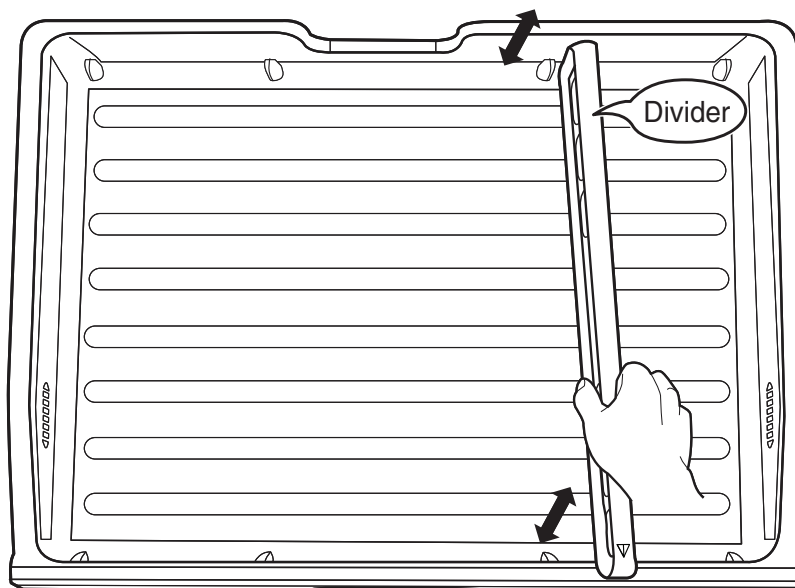
To remove the pantry - Pull the pantry out to full extension. Tilt up the front side of pantry and pull straight out.

To replace the pantry - Push the rails to the back of the Refrigerator. Place the drawer onto the rails and slide the pantry back until it is in place.



To remove the divider - Pull the pantry completely out to full extension and raise the front side of the divider to unhook it from the rear wall of the pantry, then lift the divider out.

To replace the divider - Hook the back of the divider over the rear wall of the pantry and push the divider down.



USING THE DOORS

The Refrigerator doors are equipped with a door opening and closing feature that ensures that the doors close all the way and are securely sealed.

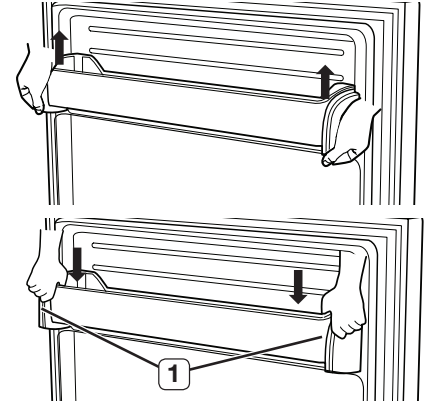
When the Refrigerator door is only partially open, it will automatically close. The door will stay open when opened more than around 3 Inches.

REMOVING THE FREEZER ACCESSORIES

1. Tilting Pocket

To remove - Pull the brackets(1) upward until you hear a clicking sound and remove the pocket

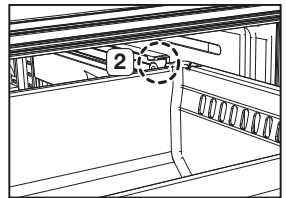
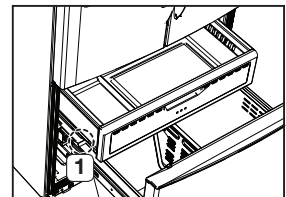
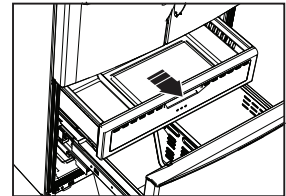
To replace - Hook the ends of the pocket into both brackets (1) and push down until it locks into place.



2. Auto Pull out Drawer

To remove - Pull the drawer out to full extension.
Tilt up rear of drawer and lift straight out.

To relocate - Place the drawer onto the rails by tilting it up.
Lower the drawer into place until it is horizontal and slide the drawer in.



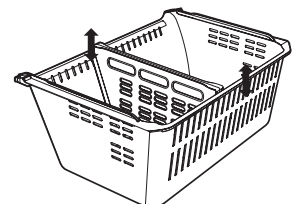
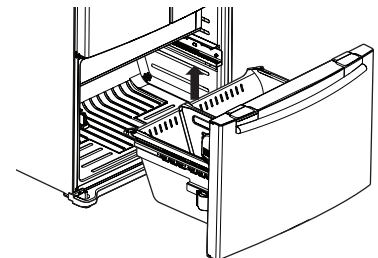
3. Freezer Drawer Bin

To remove the drawer - Pull the drawer out fully.
Tilt up the rear of the bin and lift it out to remove.

To replace the drawer - Place the bin into the rail assembly.

To remove the divider - Pull the divider straight up.

To replace the divider - Hook the top corners of divider over the hole of the bin.



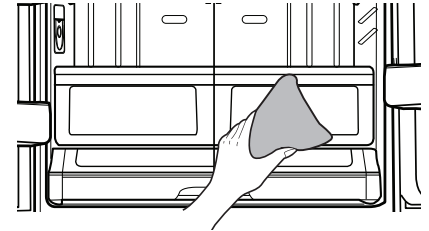
Operating your SAMSUNG French Door Refrigerator

CLEANING THE REFRIGERATOR

Caring for your Samsung French Door Refrigerator prolongs the life of your appliance and helps keep it odor and germ-free.

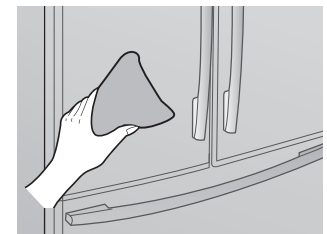
Cleaning the Interior

Clean the inside walls and accessories with a mild detergent and then wipe dry with a soft cloth. You can remove the drawers and shelves for a more thorough cleaning. Just make sure to dry drawers and shelves before putting them back into place.

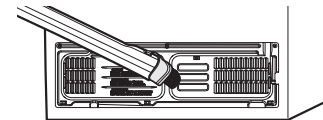


Cleaning the Exterior

Wipe the digital panel and display panel with a clean, soft cloth. Spray water onto the cleaning cloth instead of spraying directly on the surface of the Refrigerator. It helps ensure an even distribution of moisture to the surface. The doors, handles and cabinet surfaces should be cleaned with a mild detergent and then wiped dry with a soft cloth. To keep your appliance looking its best, the exterior should be polished once or twice a year.



CAUTION Do not use Benzene, Thinner or Clorox for cleaning. They may damage the surface of the appliance and may cause fire.



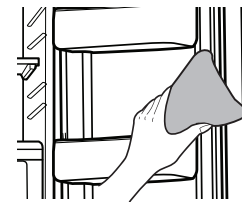
Cleaning the water dispenser(RF266AB)

Use a damp cloth to clean the ice and water dispenser. Then wipe dry with a clean, soft cloth.



Cleaning the Rubber door seals

If the rubber door seals are dirty, the doors may not close properly, and the Refrigerator will not operate efficiently. Keep the door seals free of grit or grime by cleaning the doors with a mild detergent and damp cloth. Wipe dry with a clean, soft cloth.



CAUTION Do not spray the Refrigerator with water while it is plugged in, as it may cause an electric shock. Do not clean the Refrigerator with benzene, thinner or car detergent due to risk of fire.

Cleaning behind the Refrigerator

To keep cords and exposed parts free of dust and dirt accumulation, vacuum behind the appliance once or twice a year.

CAUTION Do not remove the back cover. Doing so may cause an electric shock.

CHANGING THE INTERIOR LIGHTS



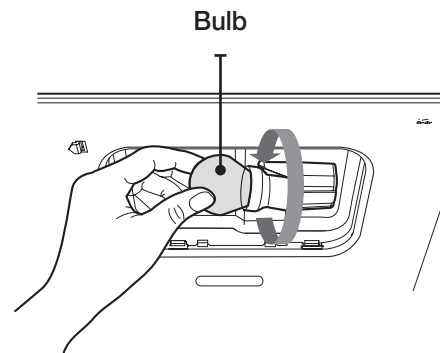
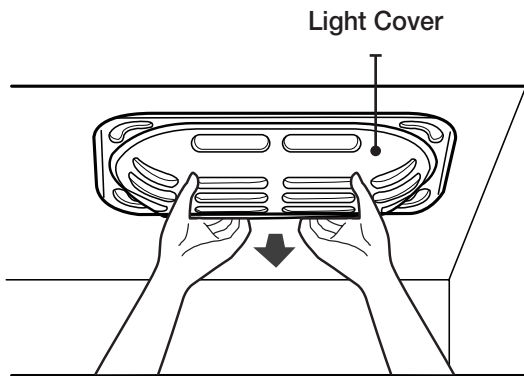
Before changing any of interior lights, unplug the refrigerator from the power supply. If you are unsure about changing the lights after reading through these directions, contact a Samsung authorized service center for help.



The Replacement bulb for the freezer is available from your local home improvement or electronics store. Use replacement bulb size E26, maximum 60 watts. The refrigerator LED lamp must be changed by a Samsung authorized center.

Changing the Interior Light in the Freezer Drawer

1. Unplug the power cord from the wall outlet.
2. Remove the pull out drawer. Refer to 'Remove Auto Pull Out drawer' on page 31.
3. Pull the Light Cover to remove it.
4. Turn the bulb counterclockwise to remove it.
5. Assembly is the reverse order of disassembly.



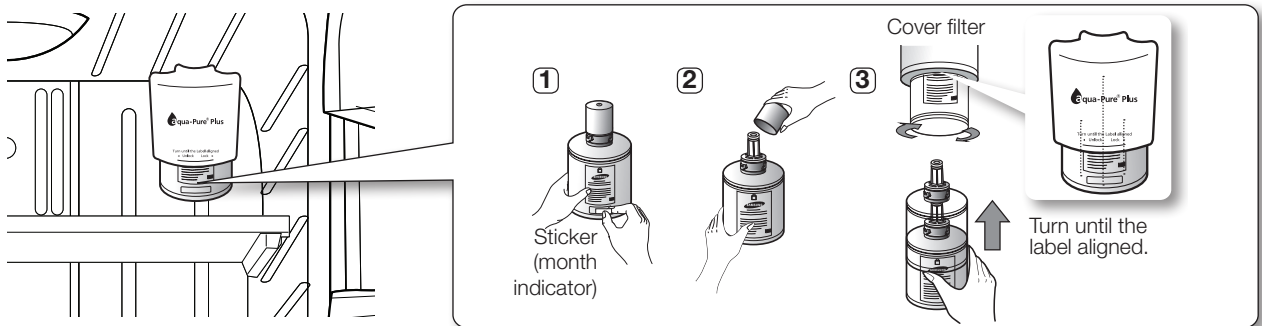
Do not place your fingers inside the cover. The lamp may be hot.

Operating your SAMSUNG French Door Refrigerator

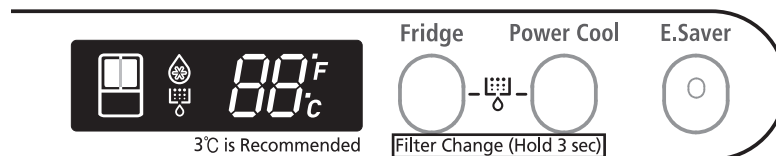
CHANGING THE WATER FILTER

The “Filter Indicator” light lets you know when it is time to change your water filter cartridge. To give you preparation time to get a new filter, the red light will come on just before the capacity of the current filter runs out. Changing the filter on time provides you with the freshest, cleanest water from your fridge.

1. Take a new water filter and put a month indicator sticker on the filter as shown.
The date on the sticker must be six months from the current date. For example, if you are replacing the water filter in March, put the “SEP” (September) sticker on the filter to remind you to replace in September. Normal filter life is about every 6 months.
2. Remove the new filter’s protective cap and remove the old filter.
3. Position and insert the new filter into the filter housing.
Slowly turn the water filter clockwise to align with the printing mark on the cover, locking the filter in position. Make sure to align the water filter label mark with the center of cover filter printing as illustrated. Remember, do not over-tighten.



4. Once you have completed this process, hold the Fridge + Power Cool button simultaneously for 3 seconds to reset the filter schedule.



5. Lastly, run about six glassfuls of water through water dispenser to clean the water supply system. Make sure that water flows clearly again before drinking.

- ☑ Be sure to flush the dispenser thoroughly or water may drip from the dispenser. This is due to the fact that there is still air in the line.
Do NOT use the water or ice dispenser without a water filter cartridge because the water line may become blocked.

Ordering replacement Water Filter

For replacement waster filter you can visit your local service center or contact the Samsung Parts distributor. Be sure the replacement water filter has the SAMSUNG logo on the box and the water filter.

Link : <http://www.samsungparts.com>

WATER FILTER CHART

Performance Data Sheet For Samsung Model DA97-06317A Using Replacement Cartridge DA29-00003G

This system has been tested according to NSF/ANSI Standards 42 and 53 for the reduction of the substances listed below. The concentration of the indicated substances in water entering the system was reduced to a concentration less than or equal to the permissible limit for water leaving the system, as specified in NSF/ANSI 42 and 53.



System tested and certified by NSF International against NSF/ANSI Standard 42 for the reduction of Chlorine Taste and Odor, Particulate Class I, and against NSF/ANSI Standard 53 for the reduction of Cysts, Turbidity, Lead, Asbestos, Benzene, Carbofuran, p-Dichlorobenzene and Mercury.

To a capacity of 300 gallons (1,136 liters).

Note that while the testing was performed under standard laboratory conditions, actual performance may vary.

Contaminant Reduction	Average Influent Concentration	NSF Specified Influent Challenge Concentration Units apply to each row	Average % Reduction	Average Product Water Concentration	Max. Permissible Product Water Concentration	NSF Reduction Requirements	NSF Test
Chlorine taste and odor	2.1 mg/L	2.0 mg/L \pm 10%	97.6	0.05 mg/L	NA	> 50%	J-00029741
Particulate Class I Particle size : < 0.5 to < 1 μ m	10,566,666 pt/mL	At least 10,000 particles/mL	98.4	171,833 pts/mL	NA	> 85%	J-00029739
Cysts*	127,500 cysts/L	Minimum 50,000 cysts/L	99.99	<1 cyst/L	NA	> 99.95%	J-00031000
Turbidity	10.5	11 \pm 1 NTU	98.6	0.15 NTU	0.5 NTU	> 0.5 NTU	J-00033223
Lead @ pH 6.5	153 ug/L	0.15 \pm 10%	99.3	<1ug/L	0.010 mg/L	10 ug/L	J-00039590
Lead @ pH 8.5	155 ug/L	0.15 \pm 10%	>99.4	<1ug/L	0.010 mg/L	10 ug/L	J-00039591
Mercury @ pH 6.5	5.97 ug/L	0.006 \pm 10%	96.6	<0.2 ug/L	0.002 mg/L	2 ug/L	J-00039589
Mercury @ pH 8.5	6.29 ug/L	0.006 \pm 10%	88.9	0.7 ug/L	0.002 mg/L	2 ug/L	J-00039586
Asbestos	140 MFL	107 to 108 fibers > μ m in length	> 99	<0.17 MFL	NA	99%	J-00029743
Benzene	13.88 ug/L	0.015 \pm 10%	96.4	<0.5 ug/L	0.005 mg/L	< 5 ug/L	J-0029751
Carbofuran	79.6 ug/L	0.190 mg/L	98.7	1 ug/L	0.001 mg/L	< 40 ug/L	J-00029750
p-Dichlorobenzene	237.5 ug/L	0.225 \pm 10%	99.8	0.525 ug/L	0.075 mg/L	< 75 ug/L	J-00029749

* Based on the use of *Cryptosporidium parvum* oocysts

Operating your SAMSUNG French Door Refrigerator

WATER FILTER CERTIFICATION

State of California
Department of Public Health
Water Treatment Device
Certificate Number

04 - 1660

Date Issued: July 7, 2004

Date Revised: June 2, 2008

Trademark/Model Designation

Samsung DA61-00159A-B

Samsung DA97-06317A

Replacement Elements

DA29-00003

DA29-00003G

Manufacturer: Cuno Incorporated

The water treatment device(s) listed on this certificate have met the testing requirements pursuant to Section 116830 of the Health and Safety Code for the following health related contaminants:

Microbiological Contaminants and Turbidity

Cysts

Turbidity

Organic Contaminants

Benzene

Carbofuran

p-Dichlorobenzene

Inorganic/Radiological Contaminants

Asbestos

Lead

Mercury

Rated Service Capacity: 300 gal

Rated Service Flow: 0.5 gpm

Conditions of Certification:

Do not use where water is microbiologically unsafe or with water of unknown quality, except that systems certified for cyst reduction may be used on disinfected waters that may contain filterable cysts.

FOOD STORAGE TIPS

Foods	Refrigerator	Freezer	Storage Tips
DAIRY PRODUCTS			
Butter	2-3 Weeks	6-9 Months	Wrap or cover tightly.
Milk	1-2 Weeks	Not recommended	Check date code. Most milk and similar products are sold in date-coded cartons that indicate a product's peak freshness. Re-seal with cap or wrap tightly. Do not return unused portions to original container.
Cream Cheese, cheese food, and cheese spread	2-4 Weeks	Not recommended	Check date code. Keep all cheese tightly packed in moisture proof wrap
Hard Cheese (un-opened)	3-4 Months	6 Months	
Hard Cheese (opened)	2 Months	Not recommended	
Cottage Cheese	10-15 Days	Not recommended	
Cream	7-10 Days	2 Months	Check date code. Most yogurt, creams, and similar products are sold in date-coded cartons that indicate a product's peak freshness. Re-seal or cover tightly. Do not return unused portions to original container.
Sour Cream	2 Weeks	Not recommended	
Cream Dips (opened)	1 Week	Not recommended	
Yogurt	10-14 Days	Not recommended	Check date code. Keep covered.
Frozen Yogurt	na	2 Months	
EGGS			
Eggs (uncooked)	3-4 Weeks	Not recommended	Check date code. Store eggs in coldest part of refrigerator and in their original container.
Eggs (cooked)	1 weeks	Not recommended	Store in covered container
Leftover egg dishes	3-4 Days	Not recommended	Store in covered container
FRESH FRUITS			
Apples	1 Month	Not recommended	If storing in refrigerator, do not wash fruit before storing. Store in moisture resistant bags or containers. Wrap cut fruits. Some fruits darken when refrigerated.
Bananas	2-4 Days	Not recommended	
Peaches, Melons, Pears, Avocados	3-5 Days	Not recommended	
Berries and Cherries	2-3 Days	12 Months	
Apricots	3-5 Days	Not recommended	
Grapes	2-5 Days	na	
Pineapple (un-cut)	2-3 Days	Not recommended	
Pineapple (cut)	5-7 Days	6-12 Months	
Citrus	1-2 Weeks	Not recommended	Store uncovered.
Juice	6 Days	Not recommended	Check date code and re-seal in original container. Do not return unused portions to original container.
Frozen Juice	Thawing only	12 Months	Check date code. Do not re-freeze.

Operating your SAMSUNG French Door Refrigerator

Foods	Refrigerator	Freezer	Storage Tips
FISH AND SHELLFISH			
Fish			
Fatty Fish (mackerel, trout, salmon)	1-2 Days	2-3 Months	Keep in original wrapper and store in coldest part of refrigerator. Package in vapor-proof and moisture proof wrap for freezer. Freeze at 0°F. Thaw in refrigerator or Check date code. Freeze in original packaging.
Lean Fish (cod, flounder, etc)	1-2 Days	6 Months	
Frozen or Breaded	na	3 Months	
Shellfish			
Shrimp (uncooked)	1-2 Days	12 Months	To freeze package in vapor-proof and moisture-proof container.
Crab	3-5 Days	10 Months	
Cooked Fish or Shellfish	2-3 Days	3 Months	
MEAT			
Fresh, Uncooked			
Chops	2-4 Days	6-12 Months	Check date code for use. Store in coldest part of refrigerator in original packaging. Add more packaging in moisture-proof and vapor-proof container for freezing. Recommended refrigerator temperature 33°F to 36°F and freezer temperature 0°F to 2°F
Ground	1 Day	3-4 Months	
Roast	2-4 Days	6-12 Months	
Bacon	1-2 Weeks	1-2 Months	
Sausage	1-2 Days	1-2 Months	
Steak	2-4 Days	6-9 Months	
Poultry	1 Day	12 Months	
Lunch meat	3-5 Days	1 Month	
Cooked			
Meat	2-3 Days	2-3 Months	Check date code for use. Store in coldest part of refrigerator in original packaging. Package in moisture-proof and vapor-proof container for freezing.
Poultry	2-3 Days	4-5 Months	
Ham	1-2 weeks	1-2 Months	

Sources:

American Meat Institute Foundation. 1994. Yellow pages: answers to predictable questions consumers ask about meat and poultry.
 American Meat Institute Food Marketing Institute. 1999. The food keeper. Food Marketing Institute, Washington, D.C. Freeland-Graves, J.H. and G.C. Peckham. 1996. Foundations of food preparation, 6th ed. Prentice-Hall, Inc. Englewood Cliffs, NJ. Hillers, V.N. 1993. Storing foods at home. Washington State University Cooperative Extension, Pullman, WA. Publ. EB 1205.
 National Restaurant Association. 2001. Be cool-chill out! Refrigerate promptly. National Restaurant Association Education Foundation
 International Food Safety Council, Washington, D.C. USDA. 1997. Basics for handling food safely. U.S. Department of Agriculture, Food Safety and Inspection Service, Washington, D.C.

Troubleshooting

PROBLEM	SOLUTION
The Refrigerator does not work at all or it does not chill sufficiently.	<ul style="list-style-type: none"> • Check that the power plug is properly connected. • Is the temperature control on the display panel set to the correct temperature? Try setting it to a lower temperature. • Is the Refrigerator in direct sunlight or located near a heat source? • Is the back of the Refrigerator too close to the wall and therefore keeping air from circulation?
The food in the Refrigerator is frozen.	<ul style="list-style-type: none"> • Is the temperature control on the display set to the correct temperature? Try setting it to a warmer temperature. • Is the temperature in the room too low? • Did you store the food with high water content in the coldest part of the Refrigerator? Try moving those items into the body of the Refrigerator instead of keeping them in the Cool Select Pantry™.
You hear unusual noise or sounds.	<ul style="list-style-type: none"> • Check that the Refrigerator is level and stable. • Is the back of the Refrigerator too close the wall and therefore keeping air from circulating? • Was anything dropped behind or under the Refrigerator? • A “ticking” sound is heard from inside the Refrigerator. It is normal and occurs because various accessories are contracting or expanding in relation to the temperature of the Refrigerator interior.
The front corners and vertical hinged section of the appliance are hot and condensation is occurring.	<ul style="list-style-type: none"> • Some heat is normal as anti-condensators are installed in the vertical hinged section of the Refrigerator to prevent condensation. • Is the Refrigerator door ajar? Condensation can occur when you leave the door open for a long time.
Ice is not harvesting.	<ul style="list-style-type: none"> • Did you wait for 12 hours after installation of the water supply line before making ice? • Is the water line connected and the shut-off valve open? • Did you manually stop the ice making function? • Is the Freezer temperature too warm? Try setting the Freezer temperature lower.
You can hear water bubbling in the Refrigerator.	<ul style="list-style-type: none"> • This is normal. The bubbling comes from the Refrigerator coolant liquid circulating through the Refrigerator.
There is a bad smell in the Refrigerator.	<ul style="list-style-type: none"> • Check for spoiled food. • Foods with strong odors(for example, fish) should be tightly covered. • Clean out your Freezer periodically and throw away any spoiled or suspect food.
Frost forms on the walls of the Freezer.	<ul style="list-style-type: none"> • Is the air vent blocked? Remove any obstructions so air can circulate freely. • Allow sufficient space between the foods stored for efficient air circulation. • Is the Freezer drawer closed properly?
Water dispenser is not functioning.	<ul style="list-style-type: none"> • Is the water line connected and the shut-off valve open? • Has the water supply line tubing been crushed or kinked? Make sure the tubing is free and clear of any obstruction. • Is the water tank frozen because the Refrigerator temperature is too low? Try selecting a warmer setting on the main display panel.

In case the need for servicing arises

Do not hesitate to call any Samsung Authorized Service Center nearby giving them your name, address and telephone number when your product is not functioning properly.

Warranty Information

Limited Warranty for Original Purchaser

This Samsung product is warranted by Samsung Electronics Canada, Inc. (hereafter referred to as SECA) against manufacturing defects in material or workmanship for the following periods:

Labor : 1 year (in-home)

Parts : 1 year

Compressor : 5 year

SECA further warrants that if this product fails to operate properly within the specified warranty period and the failure is due to improper workmanship or defective material, SECA will repair or replace the product at its option.

All warranty repairs or part replacements must be performed by a SECA Authorized Service Center. (To find the nearest SECA Service Center, call 1-800-SAMSUNG (7267864) or visit our web site at www.samsung.com/ca)

Obligation to the Original Owner

The original dated sales receipt must be retained by the customer and is the only acceptable proof of purchase. It must be presented to a SECA Authorized Service Center at the time service is requested before warranty services are rendered. On all carry-in models, transportation to and from the Authorized Service Center is the responsibility of the customer.

Exclusions of the Warranty

This warranty does not cover damage due to accident, fire, flood, and/or other Acts of God, misuse, incorrect line voltage, improper installation, improper or unauthorized repairs, commercial use, or damage that occurs during shipping. Customer adjustments which are explained in this owner's manual are not covered under the terms of this warranty. This warranty will automatically be voided for any unit found with a missing or altered serial number. This warranty is valid only on products purchased and used in the Canada.

**Samsung Electronics Canada Inc., Customer Service
55 Standish Court Mississauga, Ontario L5R 4B2
Canada**

**Customer Care Center 1-800-SAMSUNG(7267864)
Customer Care Center fax. 1-866-436-4617**

memo



If you have any questions or comments relating to Samsung products,
please contact the SAMSUNG customer care center.

SAMSUNG ELECTRONICS CANADA, INC.

55 STANDISH COURT MISSISSAUGA, ONTARIO L5R 4B2 CANADA

TEL : 905-542-3535 FAX : 905-542-3835

1-800-SAMSUNG (7267864)

www.samsung.com/ca

RF266

RF263

Réfrigérateur

guide de l'utilisateur

imaginer les possibilités

Merci d'acheter ce produit Samsung.
Pour recevoir un service plus complet, veuillez
enregistrer votre produit à
Enregistrez vos produits Samsung en vous
connectant sur : www.samsung.com/register



Caractéristiques de votre nouveau réfrigérateur

CARACTÉRISTIQUES PRINCIPALES DE VOTRE NOUVEAU RÉFRIGÉRATEUR

Votre réfrigérateur à portes françaises Samsung est équipé de plusieurs caractéristiques efficaces pour économiser de l'espace et de l'énergie, en innovant dans les formes de conservation.

- **Système twin Cooling**

Le réfrigérateur et le congélateur ont des évaporateurs séparés. Grâce à ce système de refroidissement indépendant, le congélateur et le réfrigérateur refroidissent plus efficacement. D'ailleurs, ce système de flux d'air séparés évite le passage des odeurs des aliments vers l'autre compartiment.

- **Cool Select Pantry™**

Cool Select pantry™ est un large tiroir avec un contrôle de température réglable.

- **De l'espace plus grand et large**

La Grande zone de clayettes et le tiroir fournissent de l'espace suffisant pour des objets grands, comme des boîtes de pizza, etc.

Le Grand tiroir du congélateur fournit aussi de l'espace pour 2 ou 3 dindes.

- **Fermeture automatique sécurisée**

La fonction Fermeture automatique sécurisée fermera automatiquement la porte si elle est à peine ouverte.

- **Affichage numérique et contrôle de température**

- **Système de filtrage d'eau**

- **Alarme porte**

Un son aimable vous indique que la porte bâille.

- **Compartiment inclinable**

Dans le Compartiment inclinable vous pouvez conserver même des pizzas de 16".

- **Tiroir auto-coulissant**

Le tiroir supérieur du congélateur sort automatiquement lorsque vous ouvrez la porte du congélateur.

- **Maniement aisé**

La porte du congélateur peut être ouverte avec peu d'effort.

- **Energy Star**

Homologué Energy star, ce produit peut représenter une économie de coûts de l'énergie.



Pour des futures références, notez le modèle et le numéro de série qui se trouvent sur le côté gauche du réfrigérateur.

Modèle # _____

Numéro de série # _____











Information de sécurité

INFORMATION DE SÉCURITÉ

Avant d'utiliser votre nouveau réfrigérateur à portes françaises Samsung, lisez ce manuel complètement pour vous assurer de savoir comment utiliser efficacement et avec sécurité les dispositifs et les fonctions que vous offre votre nouvel appareil.

Les instructions suivantes recouvrent plusieurs modèles, et donc les caractéristiques de votre réfrigérateur peuvent différer un peu de celles du réfrigérateur décrit dans ce guide. Si vous avez des questions, contactez-nous à 1-800-SAMSUNG ou trouvez de l'assistance et de l'information sur www.samsung.com.

Signification des icônes et des signes utilisés dans ce guide :

 DANGER	Risques ou pratiques dangereuses qui peuvent aboutir à des blessures sévères ou à la mort.
 ATTENTION	Risques ou pratiques dangereuses qui peuvent aboutir à des blessures simples ou à des dégâts matériels.
 ATTENTION	Pour réduire les risques d'incendie, d'explosion, de choc électrique et de blessures lors d'utiliser votre réfrigérateur, suivez les suivantes précautions de sécurité :
	N'essayez pas.
	Ne démontez pas.
	Ne touchez pas.
	Suivez les instructions au pied de la lettre.
	Débranchez la corde d'alimentation de la prise murale.
	Vérifiez que la machine est correctement reliée à la terre pour éviter des chocs électriques.
	Si vous en avez besoin, appelez le centre d'assistance.

Ces signaux indiquant danger vous aideront à éviter des blessures à vous-même et aux autres.

Please follow them explicitly

Suivez-les explicitement Conservez ce guide dans un endroit sûr, pour des futures consultations.

SIGNES IMPORTANTS DE DANGER

 **Ne branchez pas plusieurs appareils sur la même prise.**

- Les grands appareils consomment beaucoup d'électricité. Brancher plus d'un appareil ou machine sur une seule prise peut produire une surchauffe et un incendie.

Assurez-vous que la prise de la corde n'est pas coincée ou endommagée par l'arrière du réfrigérateur.

- Une prise de corde endommagée peut surchauffer et produire un incendie.

N'arrosez pas de l'eau directement dans ou au dehors des tiroirs du réfrigérateur et du congélateur.

- L'eau peut entrer dans les parties intérieures de la machine et produire un choc électrique.

Information de sécurité

N'utilisez pas d'aérosols près du réfrigérateur.

- Utiliser des aérosols près du réfrigérateur peut entraîner une explosion ou un incendie.

Ne soumettez pas la corde d'alimentation à des tensions ni lui placez rien dessus.

- Placer des objets lourds sur la corde d'alimentation entraîne un risque d'explosion ou d'incendie.

Ne branchez pas la prise d'alimentation avec les mains humides.

- Cela peut produire un choc électrique.

Ne mettez pas de récipient plein d'eau dans le réfrigérateur.

- Si l'eau se dégage, un incendie ou un choc électrique peut arriver.

N'installez pas le réfrigérateur dans un endroit humide ou à grande présence d'eau.

- L'humidité et/ou un isolement détérioré des pièces électriques internes peut produire un choc électrique ou un incendie.

Ne stockez pas de substances volatiles ou inflammables dans le réfrigérateur.

- Stocker du benzène, du diluant, de l'alcool, de l'éther, du gaz propane et d'autres produits similaires peut produire des explosions.



Ne démontez pas ni réparez vous-même le réfrigérateur.

- Vous courez des risques d'incendie, de défauts de fonctionnement de l'appareil et/ou de blessures. Appelez au centre d'assistance plus proche pour obtenir l'aide d'un technicien qualifié.



Débranchez le réfrigérateur avant de changer l'ampoule intérieure.

- Changer l'ampoule tandis que le réfrigérateur est branché peut produire un choc électrique.

Si vous voulez vous défaire de votre réfrigérateur, enlevez les portes et les joints avant de le jeter.

- Si des enfants entrent au réfrigérateur, les portes (et leurs joints) peuvent les enfermer. Vérifiez que les portes sont enlevées et que personne n'est suffoqué en demeurant enfermé à l'intérieur.



Le réfrigérateur doit être correctement relié à la terre

- Vérifiez toujours que vous avez raccordé le réfrigérateur à la terre avant d'essayer d'y faire des recherches ou de réparer une partie de l'appareil, des fuites électriques pouvant produire de chocs électriques sévères.

Ne jamais utilisez un tuyau de gaz, une ligne téléphonique ou une autre chose attirant l'électricité pour la liaison à la terre.

- Une utilisation incorrecte de la prise de terre peut déboucher sur un risque de choc électrique. S'il est nécessaire d'utiliser une rallonge pour brancher le réfrigérateur, utilisez en seulement à trois bornes, avec trois bornes dans la prise et dans le réceptacle, qui acceptera la prise de l'appareil. La cotation de la rallonge doit être de 115V-120V - 10A, ou plus. En outre, si vous utilisez un adaptateur de terre, vérifiez que la boîte de prise de courant est aussi bien reliée à la terre.

SIGNAUX D'ATTENTION



Utilisez le bon sens lors de remplir le réfrigérateur avec des aliments et des boissons.

- Dans un réfrigérateur trop chargé, les objets lourds, fragiles ou encombrants peuvent tomber et produire des blessures et/ou endommager les objets proches.

Ne mettez pas de bouteilles ou de récipients en verre dans le tiroir congélateur

- Si le contenu gèle et se dilate, le verre peut se casser et produire des blessures ou laisser des dangereux morceaux de verre dans le congélateur.

Si la prise électrique murale est lâche, n'y introduisez pas la prise de la corde.

- Il y a un risque de choc électrique ou d'incendie. Faites inspecter la prise par un électricien qualifié.



Ne jamais débranchez votre réfrigérateur en tirant de la corde d'alimentation.

- Prenez toujours la corde fermement et tirez de façon opposée à la prise murale. Ne tirez pas sèchement de la corde d'alimentation, ce qui peut produire un court-circuit, un incendie et/ou un choc électrique.
- Une corde endommagée peut être remplacée par le fabricant, par un centre d'assistance agréé ou par du personnel qualifié.

Ne posez pas d'objets sur l'appareil.

- Les objets peuvent tomber lorsque vous ouvrez ou fermez la porte, et produire des blessures et/ou endommager les objets voisins.

Ne conservez pas de produits pharmaceutiques, scientifiques ou sensibles à la température dans le réfrigérateur.

- Les produits nécessitant un contrôle exact de la température ne doivent pas être gardés dans le réfrigérateur.



Ne permettez pas aux enfants de grimper, marcher sur ou s'accrocher aux clayettes et aux poignées du réfrigérateur. Ils peuvent endommager le réfrigérateur et se blesser gravement. Ne vous asseyez pas sur la porte du congélateur. elle peut se casser. Ne permettez pas aux enfants de grimper dans le panier du congélateur.



Si vous sentez une odeur à plastique brûlé ou si vous voyez de la fumée, débranchez le réfrigérateur immédiatement et contactez votre centre d'assistance Samsung electronics.



Ne touchez pas les surfaces froides du compartiment congélateur si votre réfrigérateur est en marche, particulièrement si vous avez les mains humides ou mouillées, puisque votre peau peut adhérer à ces surfaces extrêmement froides.

- La peau peut se coller à la surface et vous pouvez souffrir une engelure.

Ne mettez pas vos mains sous la machine.

- Les bords pointus peuvent causer des lésions.

Information de sécurité

Ne jamais mettez les doigts ou d'autres objets dans le trou du distributeur d'eau ou dans la chute de glaçons.

- Cela peut vous produire des blessures et/ou des dégâts matériels.



Si le réfrigérateur n'est pas utilisé pendant une longue période (par exemple, pendant plusieurs mois), débranchez-le du mur.

- Au cours du temps, la détérioration de la corde d'alimentation peut produire un incendie.



N'utilisez pas un chiffon humide ou mouillé lors de nettoyer le réfrigérateur.

Enlevez toute poussière ou matière étrange des bornes de la prise.

- Une corde d'alimentation sale risque plus l'incendie.

Si le réfrigérateur a été déconnecté de la source d'alimentation, vous devez attendre au moins cinq minutes avant de le rebrancher.



N'exposez pas directement l'appareil à la lumière du soleil.

L'appareil doit être positionné de façon à avoir un accès facile à la source d'électricité.

Si la corde d'alimentation est endommagée, elle doit être remplacée par le fabricant, par un agent de service assistance agréé ou par du personnel qualifié.

Si vous envisagez des longues vacances, videz le réfrigérateur et mettez-le hors tension.

- Séchez l'excès d'humidité l'intérieure et laissez les portes ouvertes pour éviter le développement d'odeurs et de moisissure.



Garantie-service et modifications

- Tout changement ou modification entrepris par une troisième personne sur cet appareil terminé est en dehors du service-garantie Samsung, ni peut être Samsung responsable de problèmes de sécurité résultant de modifications entreprises par une troisième personne.



Les enfants peuvent rester enfermés dans les réfrigérateurs.

Avant de jeter votre ancien réfrigérateur ou congélateur, vérifiez que vous :

- Enlevez les portes.
- Laissez toutes les clayettes en place pour que les enfants n'y entrent pas facilement et y restent enfermés.



Cet appareil n'est pas conçu pour être utilisé par des enfants ou des personnes infirmes sans supervision adulte et capable. Les enfants en bas âge doivent être supervisés par les adultes lorsqu'ils utilisent l'appareil.

Table des matières

INSTALLATION DE VOTRE REFRIGERATEUR A PORTES FRANÇAISES

08

- 08 PRÉPARATION DE L'INSTALLATION
- 09 RÉGLAGE DU RÉFRIGÉRATEUR
- 09 DÉMONTAGE DES PORTES DU RÉFRIGÉRATEUR
- 11 REMISE EN PLACE DES PORTES
- 13 RÉGLAGE DES PORTES
- 14 RÉGLAGE PRÉCIS DES PORTES
- 15 RÉGLAGE DU TIROIR DU CONGÉLATEUR
- 16 VÉRIFICATION DE L'ARRIVÉE D'EAU DU DISTRIBUTEUR
- 17 INSTALLATION DE L'ARRIVÉE D'EAU

UTILISATION DU REFRIGERATEUR A PORTES FRANÇAISES SAMSUNG

19

- 19 PANNEAU DE COMMANDE
- 20 AFFICHEUR NUMÉRIQUE
- 21 RÉGLAGE DE LA TEMPÉRATURE
- 21 DISTRIBUTEUR D'EAU
- 22 PIÈCES ET FONCTIONS
- 23 RANGEMENT DES ALIMENTS
- 24 UTILISER THE COOL SELECT PANTRY™
- 25 DÉMONTAGE DES ACCESSOIRES DU RÉFRIGÉRATEUR
- 26 EMPLOYER LES PORTES
- 27 ENLEVER LES ACCESSOIRES DU CONGÉLATEUR
- 28 NETTOYAGE DU RÉFRIGÉRATEUR
- 29 CHANGEMENT DES AMPOULES
- 30 CHANGEMENT DU FILTRE À EAU

DÉPANNAGE

35

- 35 DÉPANNAGE

GARANTIE

36

- 36 GARANTIE

Installation de votre Réfrigérateur à portes françaises

PRÉPARATION DE L'INSTALLATION

Félicitations pour l'achat du réfrigérateur Samsung à 3 portes. Nous espérons que ses fonctions innovantes répondront à toutes vos attentes.

Choix du lieu d'installation

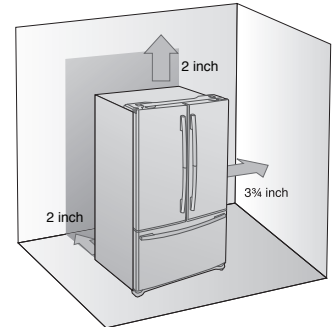
- Accès facile au réseau d'alimentation en eau.
- Pas d'exposition directe aux rayons du soleil.
- Sol de la pièce parfaitement horizontal.
- Espace suffisant pour ouvrir facilement les portes du réfrigérateur.
- Espace suffisant pour permettre la circulation d'air dans le système de refroidissement interne.

Un manque de place peut engendrer un dysfonctionnement du système de refroidissement interne.

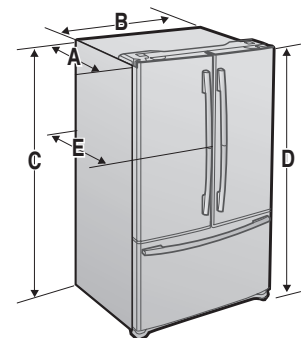
Si votre réfrigérateur possède une machine à glaçons, prévoyez de l'espace à l'arrière pour le branchement des conduites d'eau. Lorsque vous installez le réfrigérateur à proximité d'un mur fixe, prévoyez un espace de 95 mm minimum entre le réfrigérateur et le mur pour permettre l'ouverture de la porte.

Pour commencer, mesurez les cotes des orthes (largeur et hauteur), des seuils, des plafonds ou des escaliers permettant d'accéder à la pièce où vous souhaitez installer le réfrigérateur.

Les cotes précises du réfrigérateur sont indiquées dans le tableau ci-dessous.



Modèle	Profondeur "A"	largeur "B"	Hauteur "C"	Hauteur totale "D"	Profondeur "E"
RF267	29- $\frac{1}{8}$ " (83.6cm)	35- $\frac{3}{4}$ " (90.8cm)	68- $\frac{5}{8}$ " (174.4cm)	69- $\frac{3}{4}$ " (177.4cm)	35- $\frac{5}{8}$ " (90.5cm)

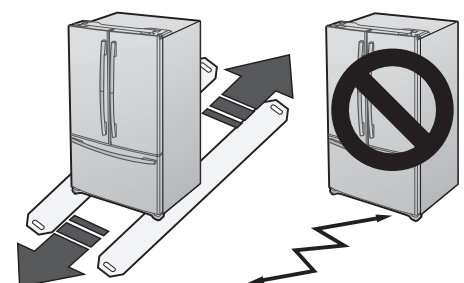
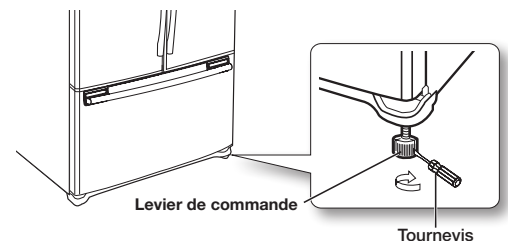


- Prévoyez un espace suffisant tout autour de l'appareil lors de son installation. Vous réduirez ainsi sa consommation électrique.
- N'installez pas le réfrigérateur dans un endroit où la température est inférieure à 10 °C.

Pour déplacer votre réfrigérateur

Pour empêcher d'endommager le sol, assurez-vous que les pieds de mise à niveau sont en position haute (au-dessus du sol). Référez-vous à la partie « mettre le réfrigérateur de niveau » du manuel.

Pour protéger la finition du plancher, intercalez une feuille de protection telle que le carton d'emballage sous le réfrigérateur.



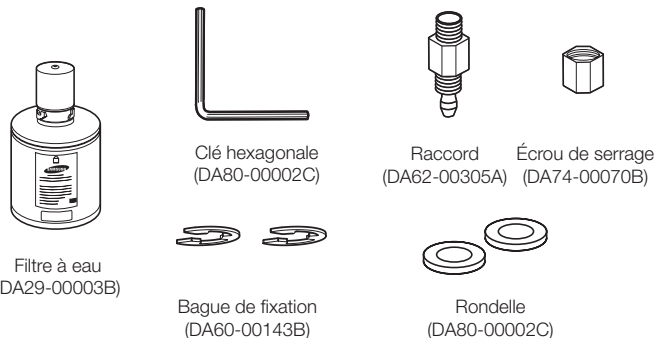
Lors de l'installation, de la maintenance ou du nettoyage du réfrigérateur, assurez-vous de tirer l'unité tout droit et de le repousser directement après avoir fini.


RÉGLAGE DU RÉFRIGÉRATEUR

Maintenant que votre nouveau réfrigérateur est en place, vous pouvez procéder au réglage de celui-ci et découvrir toutes ses fonctions.

À la fin de la procédure ci-dessous, votre réfrigérateur sera entièrement opérationnel.

1. Installez le réfrigérateur dans une pièce appropriée, en prévoyant suffisamment d'espace tout autour de l'appareil. Reportez-vous aux instructions d'installation.
2. Après avoir raccordé le réfrigérateur au secteur, assurez-vous que les ampoules s'allument à l'ouverture des portes.
3. Sélectionnez la température la plus basse et patientez une heure. Le congélateur doit être légèrement réfrigéré et le moteur doit tourner régulièrement en produisant un léger bourdonnement.
4. Plusieurs heures sont nécessaires à l'appareil pour atteindre sa température de fonctionnement optimale. Rangez les aliments et les boissons dans le réfrigérateur lorsqu'il est suffisamment froid.

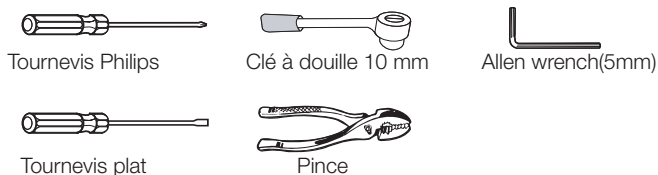


 Vérifiez la liste des accessoires cidessous.

DÉMONTAGE DES PORTES DU RÉFRIGÉRATEUR

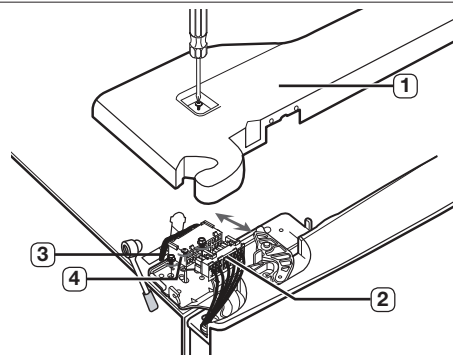
Si nécessaire, vous pouvez démonter les portes du réfrigérateur pour faciliter son transport.

Outillage

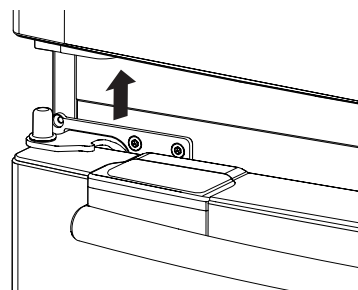


Démontage des portes

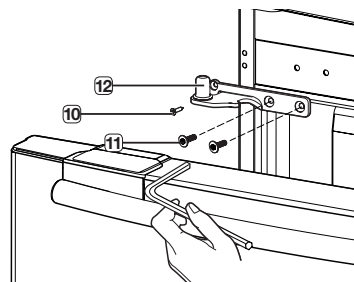
1. Porte fermée, retirez le panneau supérieur (1) à l'aide d'un tournevis Phillips, puis déconnectez les fils (2). Retirez les vis (3) de la charnière et la vis de terre (4)



2. Soulevez la porte pour l'enlever



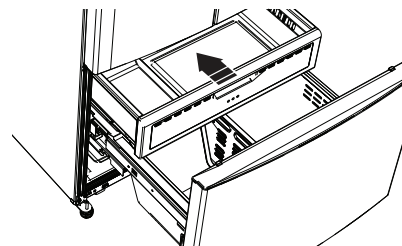
3. Avec un tournevis à tête Phillips, retirez les deux vis (10) fixées aux charnières de porte inférieures gauche et droite. Avec une clef Allen (5mm), retirez les deux boulons à tête hexagonale (11) fixés aux charnières de porte inférieures gauche et droite. Retirez les charnières de porte inférieures gauche et droite (12).



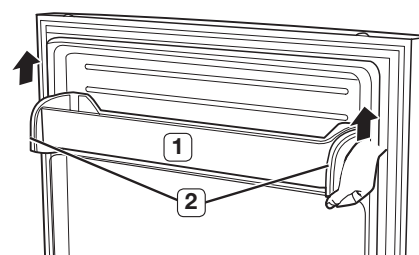
Installation de votre Réfrigérateur a portes françaises

Démontage du tiroir du congélateur

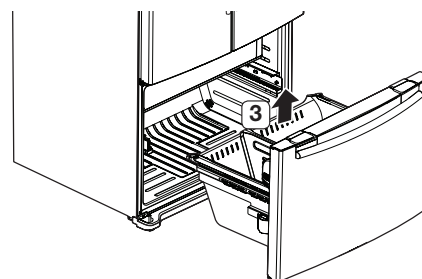
1. Poussez le tiroir supérieur jusqu'à ce qu'il atteigne le mur arrière du meuble.



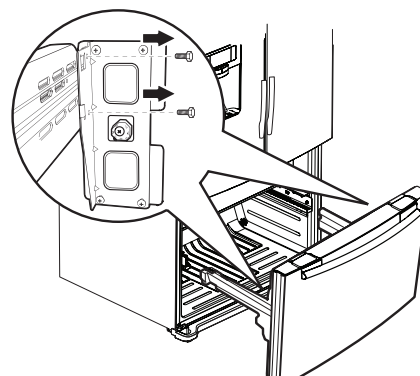
2. Retirez le balconnet inclinable (1) en tirant les deux supports (2) vers le haut en même temps.



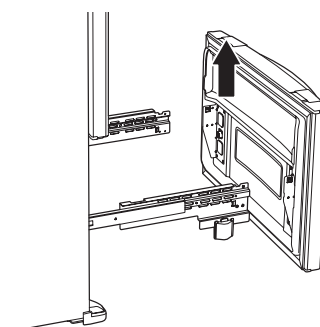
3. Retirez le bac inférieur (3) en le soulevant de son rail.



4. Retirez quatre boulons à tête hexagonale de 10 mm des deux côtés.



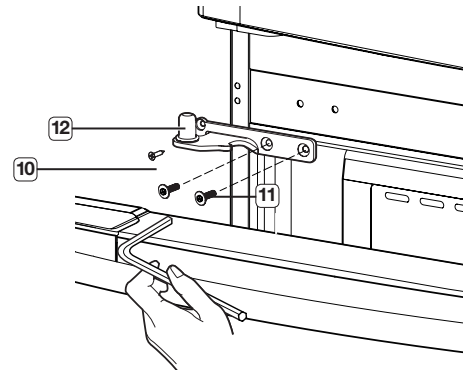
5. Soulevez la porte du congélateur des rails.



REMISE EN PLACE DES PORTES

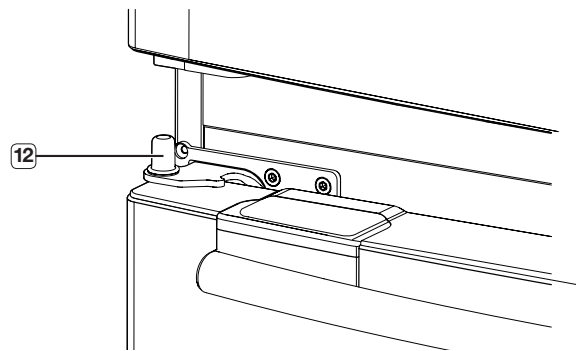
Montage des portes

1. Revissez complètement sur la charnière deux vis à tête plate (1) et deux vis hexagonales (2).

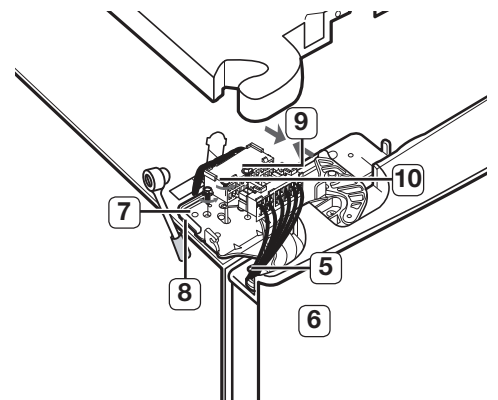


2. Positionnez l'orifice en bas de la porte (3) sur la charnière inférieure (4)

 Faites attention à ne pas manquer le protège-charnière.

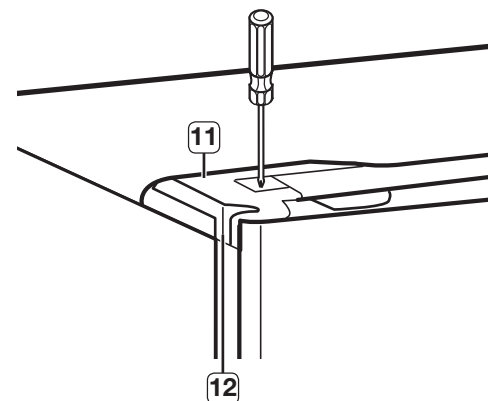


3. Insérez la tige (5) de la charnière supérieure dans l'orifice de l'angle de la porte du réfrigérateur (6). Assurez-vous que les trous de la charnière supérieure (7) et de l'armoire (8) sont alignés. Remettez les vis de la charnière (9) et la vis de terre (10) en place. Rebranchez les câbles.



4. Alignez l'arête avant du panneau supérieur (11) avec l'avant de la charnière supérieure (12), puis remettez les vis.

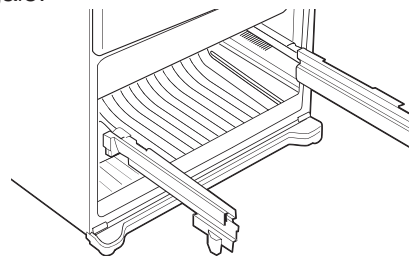
 Veillez à ce que les fils ne soient pas pincés ou endommagés en remettant le panneau supérieur.



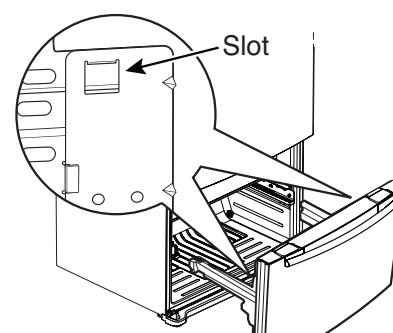
Installation de votre Réfrigérateur à portes françaises

MONTAGE DU TIROIR DU CONGÉLATEUR

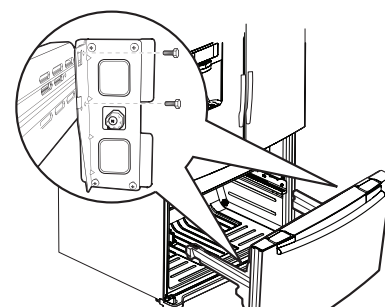
1. Enlevez les rails à pleine longueur de chaque côté du meuble de façon égale.



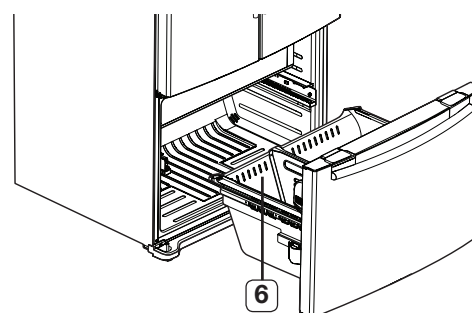
2. Suspendez la porte du congélateur dans les fentes ouvertes sur les cotés.



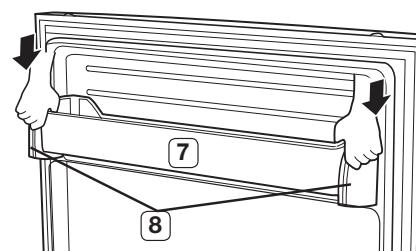
3. Serrez complètement les quatre boulons à tête hexagonale de 10 mm.



4. Le tiroir étant ouvert à fond, insérez le bac inférieur (6) dans le système de rails.



5. Accrochez les extrémités du balconnet inclinable (7) dans les deux supports (8), et poussez vers le bas jusqu'à ce qu'ils soient en place.

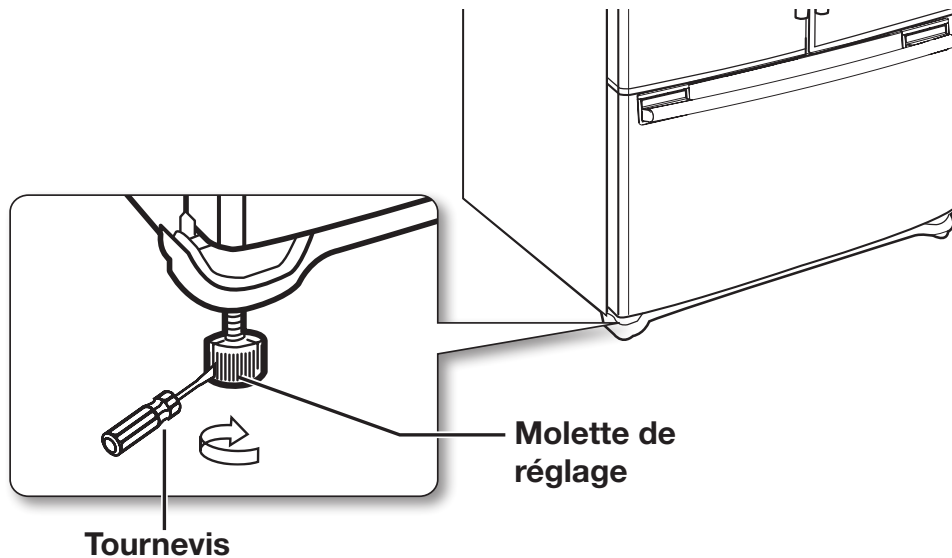


RÉGLAGE DES PORTES

Une fois les portes remises sur le réfrigérateur, vous devez vous assurer que ce dernier est parfaitement de niveau avant de procéder aux derniers réglages. Si tel n'est pas le cas, les portes ne peuvent pas être correctement ajustées.

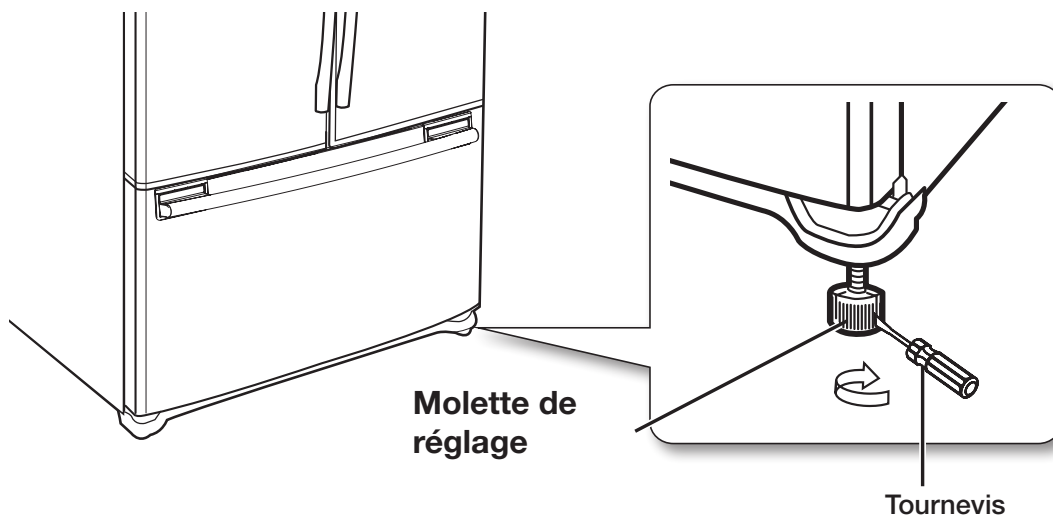
La porte de gauche est plus basse que la porte de droite.


Faites pivoter la molette de réglage du niveau à gauche à l'aide d'un tournevis.



La porte de gauche est plus haute que la porte de droite.

Faites pivoter la molette de réglage du niveau à droite à l'aide d'un tournevis.



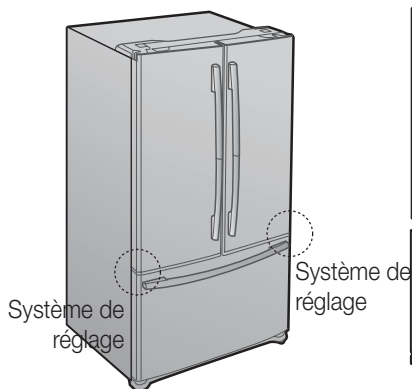
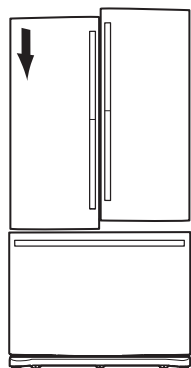
 Cette méthode ne permet pas d'effectuer des réglages précis.
Si vous devez effectuer des réglages précis, reportez-vous à la page suivante.

Installation de votre Réfrigérateur a portes françaises

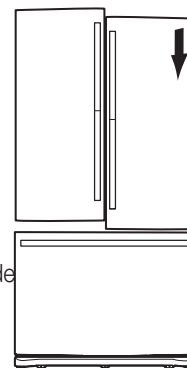
RÉGLAGE PRÉCIS DES PORTES

Avant toute chose, vérifiez que le réfrigérateur est de niveau. Si nécessaire, reportez-vous à la section précédente.

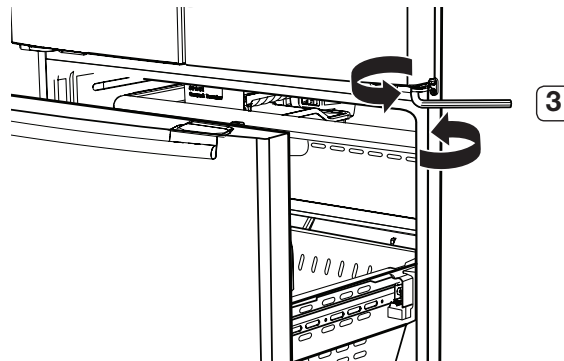
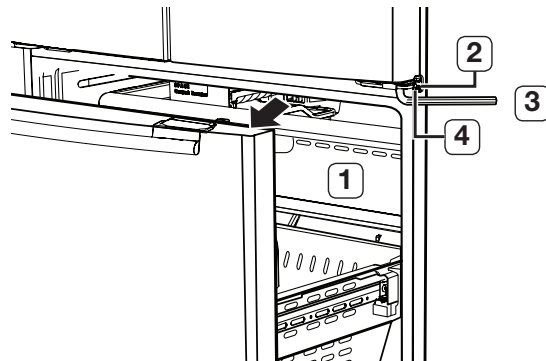
La porte de gauche est plus basse que la porte de droite.




La porte de gauche est plus haute que la porte de droite.

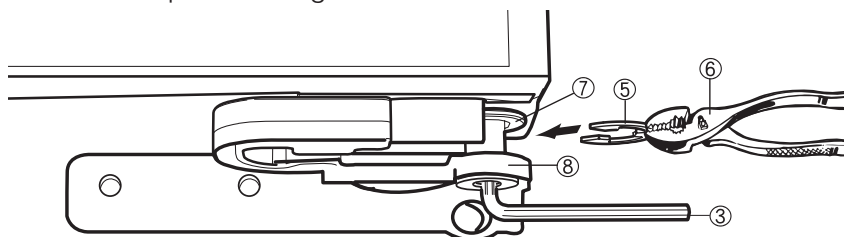



1. Ouvrez le tiroir (1), pour accéder à la charnière inférieure (2).
2. Insérez la clé hexagonale fournie (3) dans la tige (4) de la charnière inférieure.
3. Ajustez la hauteur en vissant ou (↺) dévissant la tige à l'aide de la clé (↻)(3).



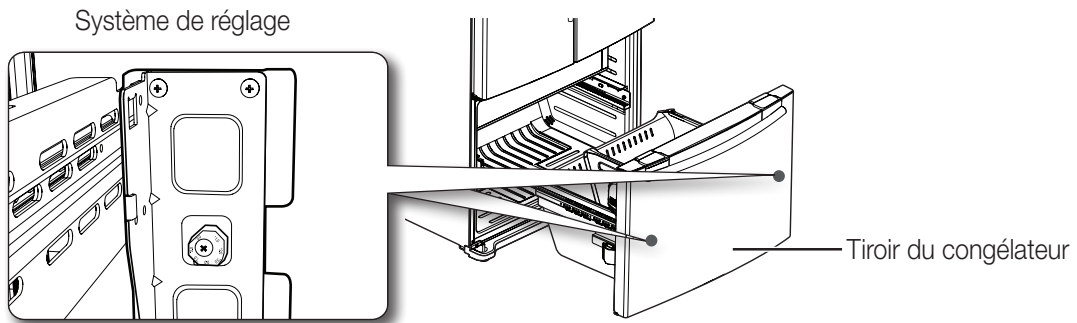
 La porte monte lorsque vous dévissez la tige (↻).

1. Après le réglage des portes, insérez la bague de fixation (5) fournie à l'aide d'une pince (6) dans l'intervalle entre la charnière passe-fils (7) et la charnière inférieure (8). Le nombre de bagues de fixation nécessaires dépend de la grandeur de l'intervalle.

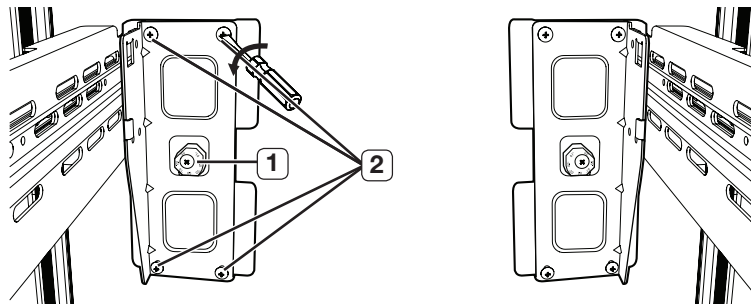


 Deux bagues de fixation sont livrées avec le réfrigérateur. L'épaisseur de chaque bague est de 1,02mm.

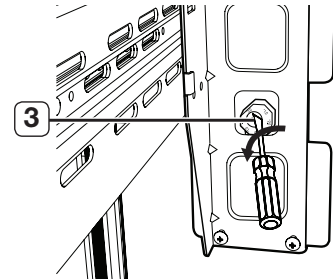
RÉGLAGE DU TIROIR DU CONGÉLATEUR



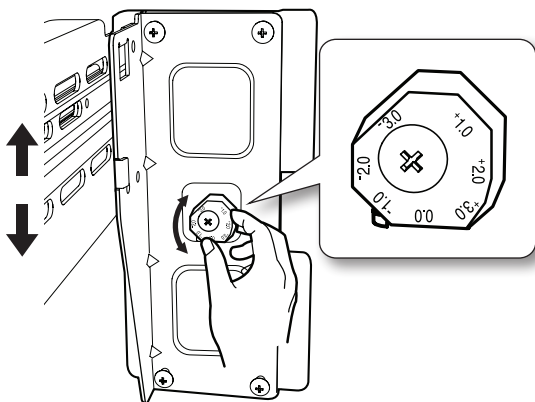
1. Repérez le système de réglage de la hauteur (1) dans le tiroir du congélateur. Dévissez légèrement les quatre vis Phillips (2) pour débloquer la porte.



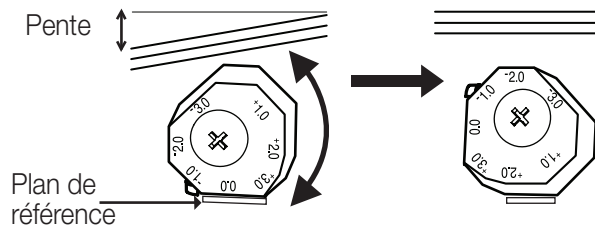
2. Desserrez la vis de réglage (3) à l'aide d'un tournevis Phillips.



3. Mettez la porte parfaitement de niveau.



Exemple) La pente est d'environ 2 mm, comme indiqué ci-dessous.



- Alignez la valeur 2.0 sur le point de référence pour réduire la pente.

→ Une fois le réglage effectué, serrez les vis (2) et (3) en effectuant la procédure inverse.

Installation de votre Réfrigérateur à portes françaises

VÉRIFICATION DE L'ARRIVÉE D'EAU DU DISTRIBUTEUR

Votre nouveau réfrigérateur Samsung est équipé d'un distributeur d'eau. Par mesure d'hygiène, les particules étrangères sont retenues par un filtre à eau. Cependant, ce filtre ne stérilise pas l'eau et ne détruit pas les microorganismes.


Pour cela, vous devez vous procurer un système de purification d'eau.

Pour fonctionner correctement, la fabrique de glace nécessite une pression d'eau de 1,38 à 8,61 bar.

Cette pression permet de remplir un gobelet de 17 cl en 10 secondes.

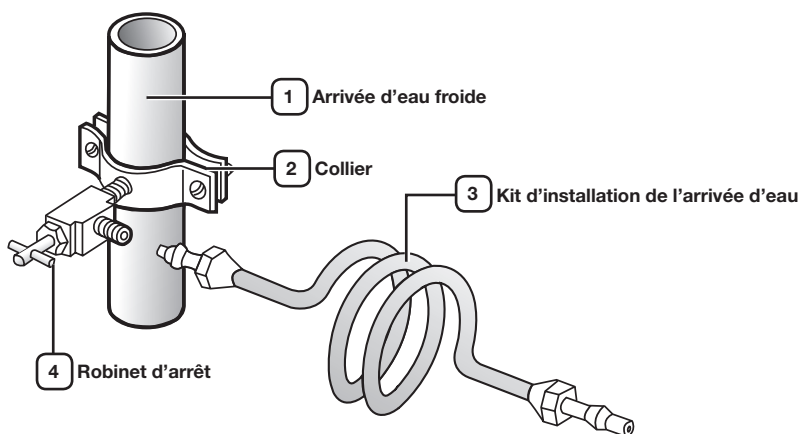
Si la pression d'eau est insuffisante (inférieure à 1,38 bar), vous devez installer une pompe de surpression.

Assurez-vous que le réservoir d'eau se remplit correctement. Pour ce faire, actionnez le levier du distributeur jusqu'à ce que l'eau s'écoule.

-  Moyennant un supplément, vous pouvez vous procurer un kit d'installation d'arrivée d'eau auprès de votre revendeur. Nous vous recommandons d'utiliser un kit avec des tuyaux en cuivre.

Branchement de l'arrivée d'eau

1. Commencez par fermer l'arrivée d'eau principale et désactivez la fabrique de glace.
2. Repérez la conduite d'eau potable froide la plus proche.
3. Raccordez la conduite d'eau au filtre, ouvrez l'arrivée d'eau et faites couler l'eau pendant quelques secondes pour nettoyer le filtre.

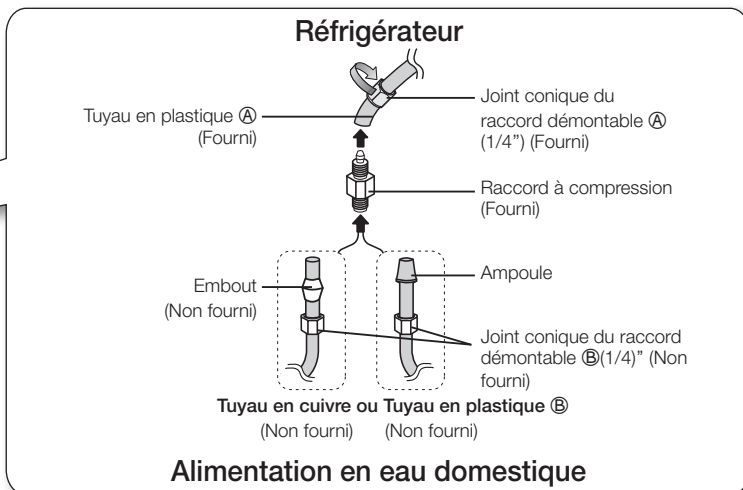
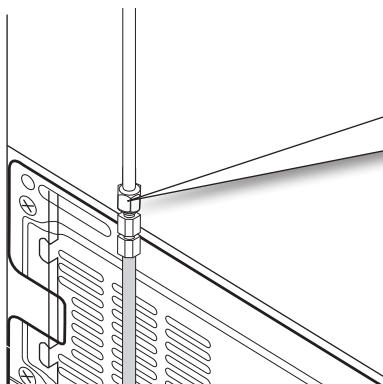


INSTALLATION DE L'ARRIVÉE D'EAU

Raccordement du tuyau d'arrivée d'eau au réfrigérateur

Vous devez vous procurer divers accessoires pour effectuer ce raccordement. En général, vous pouvez les trouver vendus sous forme de kit dans une quincaillerie.

- Écrou de serrage 0,6 cm
- Tube en cuivre
- Tube en plastique
- Bague



1. Glissez le joint conique du raccord démontable (A) à travers le tuyau en plastique (B) fourni.
2. Serrez le joint conique du raccord démontable (A) dans le raccord à compression 1/4".
 - Si vous utilisez du tuyau en cuivre, glissez le joint conique du raccord démontable (B) (non fourni) et l'embout (non fourni) dans le tuyau en cuivre (non fourni) comme il est montré.
 - Si vous utilisez une tuyauterie en plastique (B), insérez l'extrémité moulée (ampoule) de la tuyauterie (B) dans le raccord de compression.



Ne pas utiliser sans l'extrémité moulée (ampoule) de la tuyauterie en plastique (B).

3. Serrez le joint conique du raccord démontable B dans le raccord à compression, sans le serrer de trop.
4. Ouvrez à nouveau le passage d'eau et vérifiez qu'il n'y a pas de fuites.

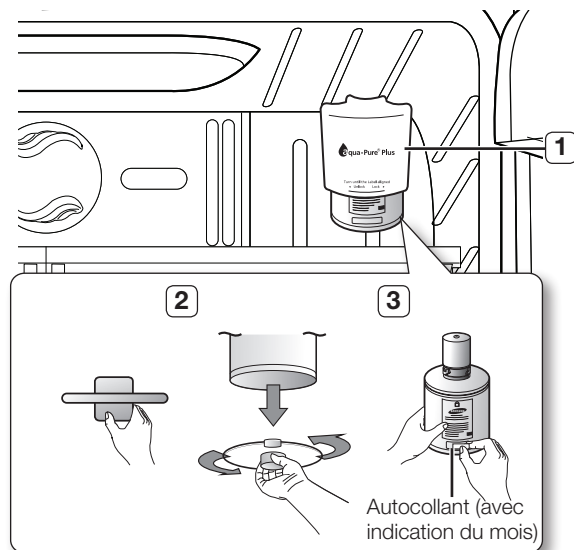


Connectez la conduite d'eau uniquement à une source d'eau potable.

Si vous devez réparer ou démonter la tuyauterie, coupez 1/4" du tuyau en plastique pour vous assurer une connexion sûre et libre de fuites.

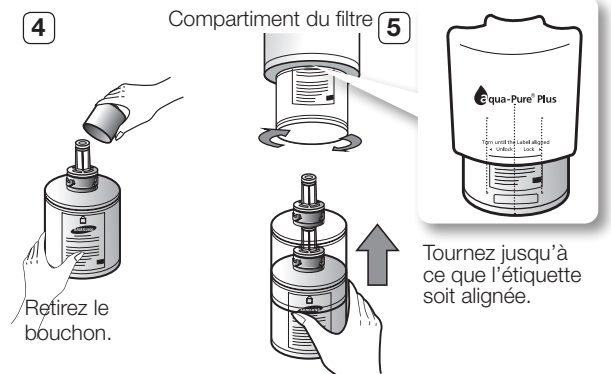
Installation du filtre à eau

1. Retirez le capot du filtre à eau (1)
2. Dévissez le bouchon.
Mettez-le de côté à toutes fins utiles si vous n'utilisez pas de filtre.
3. Retirez le filtre à eau de son compartiment et collez l'étiquette de remplacement sur le filtre, comme indiqué dans l'illustration. Comptez six mois à partir de la date actuelle et collez l'étiquette correspondante sur le filtre. Par exemple, si vous installez le filtre en mars, placez l'étiquette "SEP" pour vous rappeler de le changer en septembre. Ainsi, vous pourrez vérifier à tout moment s'il est temps de remplacer le filtre. En principe, la durée de vie d'un filtre est de 6 mois.



Installation de votre Réfrigérateur à portes françaises

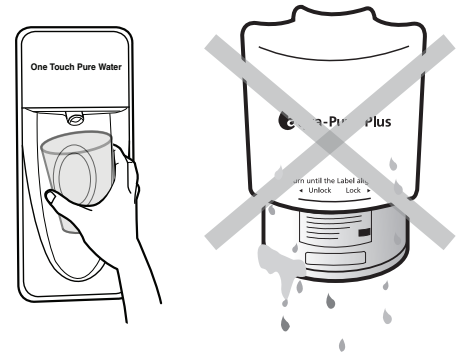
- Retirez le bouchon et installez le filtre dans son compartiment.
- Faites pivoter doucement le filtre d'un quart de tour vers la gauche pour l'aligner sur la marque du compartiment et le verrouiller.
Alignez bien la marque sur l'étiquette du filtre avec le centre de la marque sur le compartiment, comme indiqué sur l'illustration. Ne serrez pas trop.



Retirez la clayette en verre en haut à droite avant d'installer les filtres à eau.

Purge du système d'alimentation en eau après installation du filtre.

- Ouvrez l'alimentation en eau principale et fermez le robinet d'arrivée d'eau.
- Faites couler l'eau jusqu'à ce qu'elle soit claire (environ pendant 6 à 7 minutes). Cette opération permet de nettoyer le circuit d'alimentation en eau et d'en évacuer l'air.
- Répétez cette opération autant de fois que nécessaire.
- Ouvrez la porte du réfrigérateur et assurez-vous que le filtre ne présente pas de fuite.

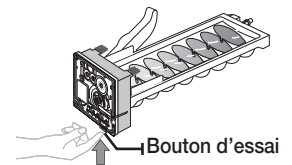


Des gouttes peuvent s'échapper du distributeur s'il n'est pas bien purgé, car il peut rester de l'air dans le circuit.

Bouton d'essai

ATTENTION

Si la glace ne sort pas, tirez sur le seau à glace et appuyez sur le bouton d'essai situé du côté droit de la machine à glaçons.



Bouton d'essai

Alimentation en eau osmosée inverse

IMPORTANT : La pression de l'alimentation en eau en sortie d'un osmoseur inverse allant à la soupape d'admission de l'eau du réfrigérateur doit être entre 35 et 120 psi (241 et 827 kPa).

Si un système de filtration de l'eau osmosée inverse est relié à votre alimentation en eau froide, la pression d'eau de l'osmoseur inverse doit se situer entre 40 et 60 psi au minimum (276 à 414 kPa).

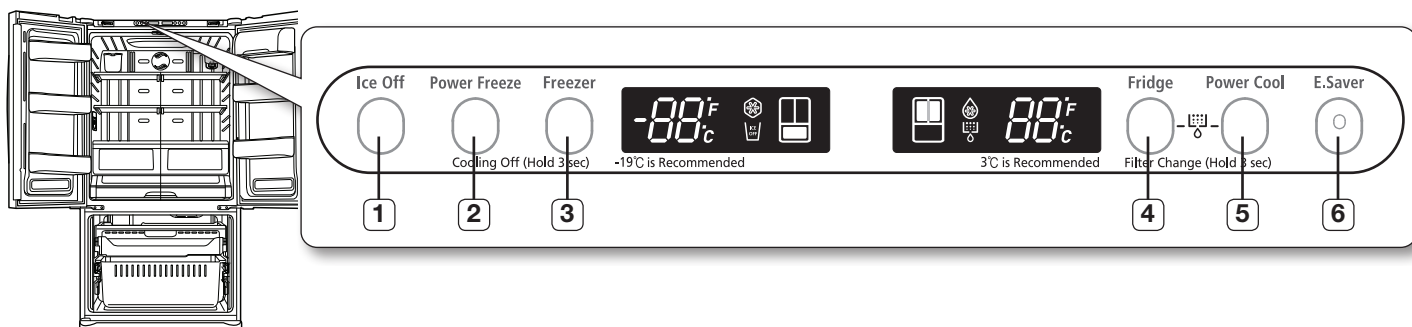
Si la pression d'eau de l'osmoseur inverse est inférieure à 40 à 60 psi (276 à 414 kPa) :

- Vérifiez que le filtre à sédiments de l'osmoseur inverse n'est pas obturé. Remplacez le filtre au besoin.
- Remplissez le réservoir de stockage de l'osmoseur inverse après utilisation.
- Si votre réfrigérateur dispose d'un filtre à eau, il peut conduire à la réduction de la pression d'eau lorsqu'il est utilisé en même temps qu'un osmoseur inverse. Démontez le filtre à eau.

Si vous avez des interrogations au sujet de votre pression d'eau, contactez un plombier agréé et qualifié.

Utilisation du Réfrigérateur à portes françaises SAMSUNG

PANNEAU DE COMMANDE



(1) Touche Ice Off

Appuyez sur la touche Ice Off (arrêt glace) pour désactiver la fabrication de glace.

(2) Touche Power Freeze

Appuyez sur la touche Power Freeze (congélation accélérée) pour congeler rapidement les aliments placés dans le congélateur. Cette fonction est utile pour congeler rapidement des denrées périssables ou abaisser la température du congélateur si celle-ci est trop élevée (si vous avez laissé la porte ouverte, par exemple).

(3) Touche Freezer

Appuyez sur la touche Freezer (congélateur) pour régler la température du congélateur. Réglez la température.

(4) Touche Fridge

Appuyez sur la touche Fridge (réfrigérateur) pour régler la température du réfrigérateur. Celle-ci peut être comprise entre 1°C et 7°C.

(5) Touche Power Cool

Appuyez sur la touche Power Cool (refroidissement accéléré) pour refroidir les denrées du réfrigérateur. Cette fonction est utile pour refroidir rapidement des denrées périssables ou abaisser la température du réfrigérateur si celle-ci est trop élevée (si vous avez laissé la porte ouverte, par exemple).

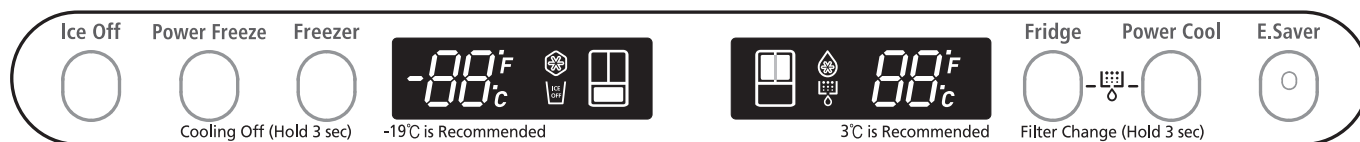
(6) Touche E. Saver

Appuyez sur la touche E. Saver (économie d'énergie) pour réduire la consommation d'énergie. Toutefois, si de la condensation se produit sur les portes, désactivez cette fonction.

Utilisation du Réfrigérateur à portes françaises SAMSUNG

AFFICHEUR NUMÉRIQUE

La température du congélateur est indiquée dans la première partie de l'afficheur.
La seconde partie reflète la température du réfrigérateur.



Congélation accélérée

Cette icône apparaît lorsque vous activez la fonction Power Freeze.
Elle permet d'accélérer la production de glace. Pour ce faire, appuyez sur la touche Power Freeze.

Pour désactiver la fonction Power Freeze, appuyez une nouvelle fois sur la touche.

Arrêt de la fabrication de glace

Si vous n'avez pas besoin de glace, appuyez sur la touche Ice Off pour économiser l'eau et réduire la consommation électrique.

Réfrigération accélérée

Cette icône apparaît lorsque vous activez la fonction Power Cool. Utilisez-la pour abaisser rapidement la température du réfrigérateur.

Si vous sélectionnez cette fonction, la température interne du réfrigérateur descend pendant environ deux heures trente.


Indicateur de filtre


Ce voyant s'allume lorsque vous devez remplacer le filtre. Le remplacement du filtre doit s'effectuer tous les 6 mois environ.

Le voyant est bleu après la mise en place d'un nouveau filtre.
Il devient rose clair au bout de 5 mois d'utilisation,
puis rouge au bout de 6 mois.

Après avoir remplacé le filtre (voir page 30 pour les instructions), appuyez simultanément sur les touches Fridge et Power Cool pendant 3 secondes pour que le voyant s'éteigne. Ce voyant se rallume au bout de 6 mois lorsqu'il est temps de remplacer le filtre.

Mode refroidissement Off (code "OF & OF" sur l'affichage)

 Cette fonction est destinée aux réfrigérateurs de présentation en vitrine de magasin.
Non destinés à la vente à la clientèle.

 **ATTENTION** En mode refroidissement Off, le réfrigérateur fonctionne mais ne conditionne pas l'air. Pour annuler ce mode, appuyer sur les boutons Power Freeze et Freezer en même temps pendant 3 secondes jusqu'à ce qu'une sonorité de type « ding-dong » se fasse entendre et que l'unité maintenant conditionne l'air.

RÉGLAGE DE LA TEMPÉRATURE

Réglage de la température du congélateur

Vous pouvez sélectionner une température comprise entre -14°C et -25°C . Appuyez sur la touche Freezer jusqu'à ce que la température désirée s'affiche. Notez que certains aliments, tels que les glaces, peuvent commencer à fondre à partir de -15°C .

Chaque pression sur la touche permet de régler la température entre -14°C et -25°C .

Lorsque la température de -14°C est sélectionnée, toute nouvelle pression sur la touche permet de repasser à la température de -25°C .

Une fois le réglage effectué, la température du congélateur s'affiche au bout de cinq secondes. Cette valeur change jusqu'à ce que la température sélectionnée soit atteinte.

Réglage de la température du réfrigérateur

Vous pouvez sélectionner une température comprise entre 7°C et 1°C .

Appuyez sur la touche Fridge jusqu'à ce que la température désirée s'affiche.

La température se règle de la même façon que pour le congélateur.

Appuyez sur la touche Fridge pour régler la température du réfrigérateur. Une fois le réglage effectué, la température du réfrigérateur change jusqu'à ce que la valeur sélectionnée soit atteinte. La température est indiquée sur l'afficheur numérique.


 L'ouverture fréquente des portes ou la présence d'aliments tièdes ou chauds dans l'appareil peuvent entraîner une hausse de la température à l'intérieur du congélateur ou du réfrigérateur.

Dans ce cas, l'afficheur numérique clignote. L'afficheur s'arrête de clignoter dès que le congélateur et le réfrigérateur retrouvent leur température d'origine. Si tel n'est pas le cas, vous devez réinitialiser le réfrigérateur. Débranchez l'appareil, puis rebranchez-le au bout de 10 minutes.

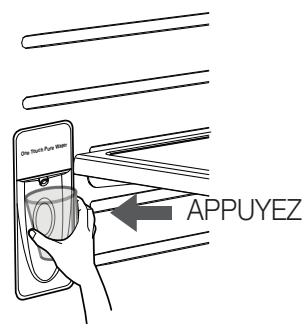
DISTRIBUTEUR D'EAU

Utilisation du distributeur d'eau (RF266AB)

Placez un verre sous le distributeur et appuyez délicatement sur la manette. Placez correctement le verre sous le distributeur pour éviter toute projection d'eau.

 **ATTENTION** Lorsque vous n'utilisez pas le distributeur d'eau pendant 2 ou 3 jours (en particulier pendant l'été), l'eau distribuée peut avoir un goût ou une odeur étrange. Dans ce cas, nous vous recommandons de ne pas boire l'eau du premier verre ; elle sera meilleure ensuite.


Si vous venez d'installer le réfrigérateur ou un nouveau filtre, jetez les six premiers verres pour éliminer les impuretés du système d'alimentation en eau. Attendez que l'eau soit parfaitement claire avant de la boire.



 **ATTENTION** En cas d'absence prolongée, fermez le robinet d'eau, ainsi que l'alimentation en eau du réfrigérateur. Cette opération vise à éviter les fuites accidentelles.

Phénomène de formation de buée

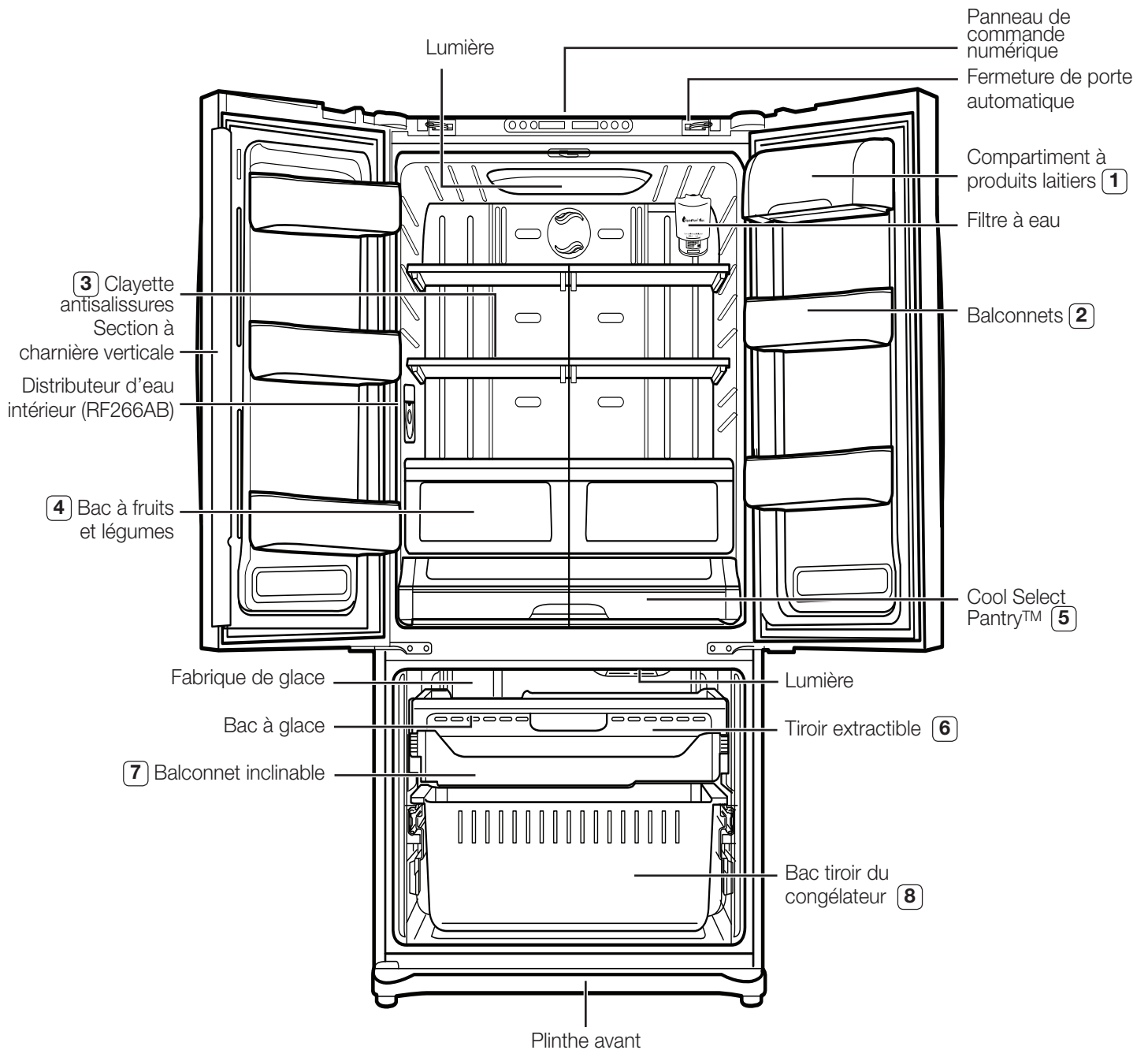
Toute l'eau fournie aux réfrigérateurs traverse le filtre principal qui est un filtre à eau alcalin. Dans ce processus, la pression de l'eau qui en sort du filtre est augmentée, et l'oxygène et l'azote deviennent saturés. Quand l'eau s'écoule dans l'air, la pression descend et l'oxygène et l'azote deviennent sursaturés de sorte qu'ils se transforment en bulles de gaz. L'eau peut sembler trouble en raison de la présence de ces bulles d'oxygène. L'eau peut apparaître temporairement trouble en raison de la présence de ces bulles de l'oxygène. L'eau s'éclaircit après quelques secondes.

 Patientez 1 seconde quand vous avez terminé avant de retirer le gobelet pour éviter les éclaboussures.

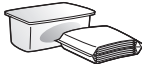




Utilisation du Réfrigérateur à portes françaises SAMSUNG


PIÈCES ET FONCTIONS

Cette page présente les pièces et les fonctions du réfrigérateur.


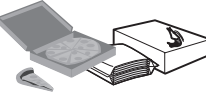





RANGEMENT DES ALIMENTS

(1) COMPARTIMENT À PRODUITS LAITIERS	Conservation des produits laitiers (beurre, margarine, yaourts, crème).	
(2) BALCONNETS	Conservation des aliments volumineux briques de lait, bouteilles et autres récipients).	
(3) CLAYETTES EN VERRE TREMPE	Incassables, les clayettes permettent de stocker tous types d'aliments et de boissons. Les marques circulaires pouvant apparaître sur les clayettes sont normales. Vous pouvez les faire disparaître à l'aide d'un chiffon humide.	
(4) BAC À FRUITS ET LÉGUMES	Ce bac est spécialement conçu pour contrôler le niveau d'humidité à l'intérieur du compartiment. Séparez les légumes des fruits autant que faire se peut.	
(5) COOL SELECT PANTRY™	Peut servir pour des plateaux de réception encombrants, des plats préparés, des boissons ou d'autres denrées.	

-  Ne placez pas des objets grands sous la lampe du réfrigérateur. Il y a un capteur d'air près de la lampe, et s'il est bloqué votre réfrigérateur peut se refroidir excessivement. Placez fruits et végétaux dans leur compartiment pour éviter qu'ils gèlent. Si les aliments dans votre réfrigérateur gèlent, augmentez la température.

RANGEMENT DES ALIMENTS DANS LE CONGÉLATEUR

(6) TIROIR EXTRACTIBLE	Permet de ranger de la viande ou des aliments secs. Les aliments doivent être correctement emballés ou rangés dans des récipients hermétiques.	
(7) BALCONNET INCLINABLE	Permet de ranger des petits aliments congelés emballés. Il est possible d'y ranger une pizza de 40 cm.	
(8) BAC TIROIR DU CONGÉLATEUR	Permet de ranger de la viande et des aliments secs. Les aliments doivent être correctement emballés ou rangés dans des récipients hermétiques.	

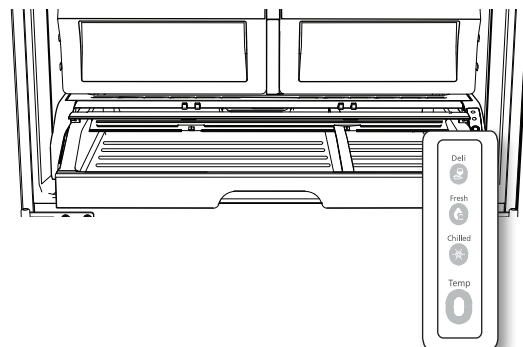
-  Rangez les bouteilles de manière à ce qu'elles ne tombent pas à l'ouverture de la porte du réfrigérateur.
-  En cas d'inutilisation prolongée, videz le réfrigérateur et arrêtez-le. Essayez toute trace d'humidité à l'intérieur de l'appareil et laissez les portes ouvertes. Cette opération vise à éviter la formation d'odeurs et de moisissures.

UTILISER THE COOL SELECT PANTRY™

Cool Select Pantry™ est un tiroir à largeur maximale qui compte avec un contrôle de température réglable. Vous pouvez utiliser ce tiroir pour stocker des plateaux larges, des spécialités alimentaires, des boissons ou des objets divers.

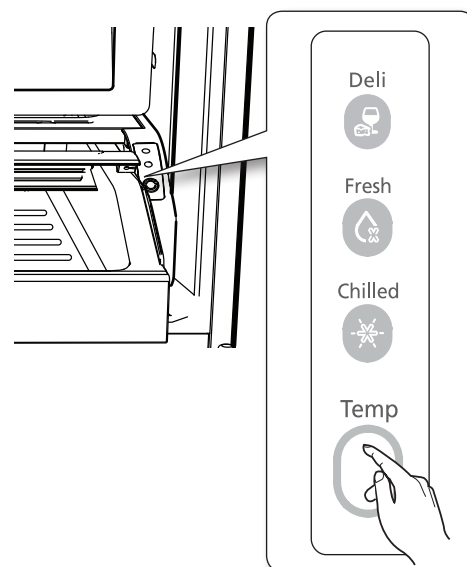
Il y a un contrôle de température qui peut ajuster la quantité d'air froid permis dans le tiroir.

Ce contrôle est placé sur le côté droit du tiroir.



Touche de sélection

1. Si « Deli » est sélectionné, la température du tiroir est d'environ 5°C. Ce réglage aide à conserver les aliments frais plus longtemps. La température du tiroir peut être maintenue sous le réglage de température recommandée (congélateur : -19°C, réfrigérateur : 3°C).
2. Si « Frais » est sélectionné, la température du tiroir est d'environ 3°C. Ce réglage aide à conserver les aliments frais pendant plus longtemps. La température du tiroir peut être maintenue sous le réglage de température recommandée (congélateur : -19°C, réfrigérateur : 3°C).
3. Si « Bien frais » est sélectionné, la température du tiroir est d'environ 1°C. Ce réglage aide aussi à conserver frais les viandes et les poissons pendant plus longtemps. La température du tiroir peut être maintenue sous le réglage de température recommandée (congélateur : -19°C, réfrigérateur : 3°C).



Deli	Frais	Bien frais
· ananas	· concombres	· steaks
· citron	· pommes	· fromages durs
· avocat	· oranges	· charcuterie
· pomme de terre	· raisin	· lard
	· courgettes	· saucisses
	· maïs	



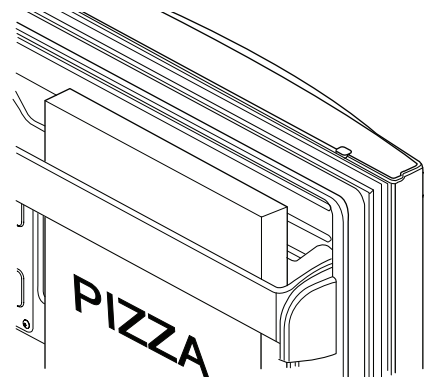
Si le mode « Bien frais » est sélectionné, les fruits et légumes peuvent en résulter défavorisées. Ne stockez pas de laitue ou d'autres légumes-feuilles dans ce tiroir.



Ne rangez pas bouteilles en verre dans ce tiroir. Si elles gèlent, elles peuvent se briser et produire des blessures.

UTILISATION DU COMPARTIMENT INCLINABLE

Le Compartiment inclinable peut être utilisé pour conserver même une pizza de 16", comme sur l'illustration.



Utilisation du Réfrigérateur à portes françaises SAMSUNG

DÉMONTAGE DES ACCESSOIRES DU RÉFRIGÉRATEUR

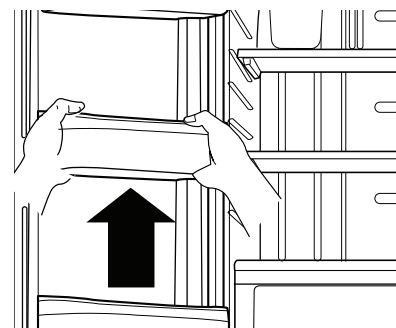
1. Balconnets et compartiment pour produits laitiers

Démontage : levez le balconnet vers le haut, puis tirez-le pour l'enlever.

Remise en place : faites-le glisser audessus de l'emplacement souhaité et

ATTENTION Vous pourriez vous blesser si les balconnets ne sont pas mis correctement. Ne laissez pas les enfants jouer avec. Les coins pointus des balconnets pourraient les blesser.

 Ne cherchez pas à positionner un balconnet contenant de la nourriture.

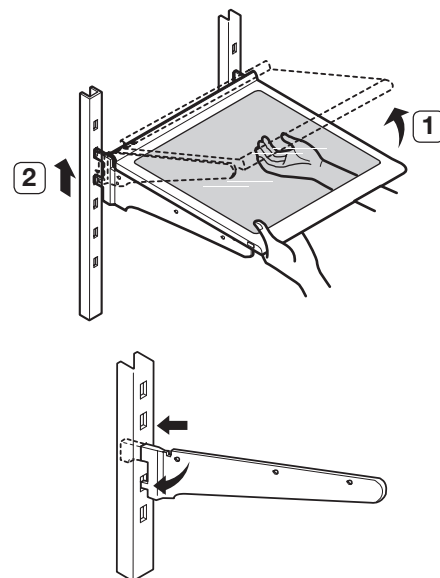


2. Clayettes en verre trempé antisalissures

Démontage : inclinez vers le haut l'avant de la clayette dans le sens (1) et levez-la dans le sens (2). Retirez-la.

Remise en place : inclinez l'avant de la clayette vers le haut et ajustez les ergots dans les encoches à la hauteur désirée. Abaissez l'avant de la clayette pour que les ergots s'emboîtent dans les encoches.

ATTENTION Les clayettes en verre sont lourdes. Faites attention en les manipulant.

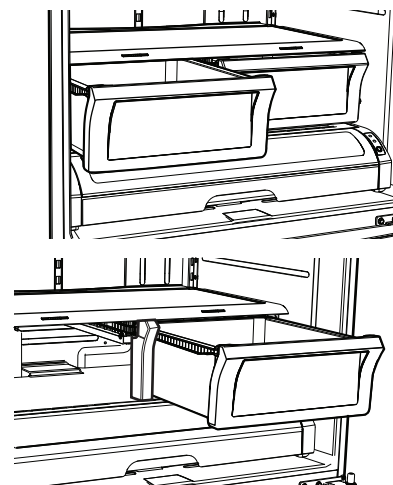


3. Bac à fruits et légumes

Démontage : tirez le tiroir à fond. Inclinez l'avant du tiroir vers le haut et tirez complètement.

Remise en place : insérez le tiroir sur le support de rail et poussez-le pour le remettre en place.

ATTENTION La clayette en verre au-dessus du tiroir n'est pas fixée solidement. Soyez vigilant. N'ouvrez pas le tiroir en même temps que le plateau. Il pourrait être rayé ou même cassé.

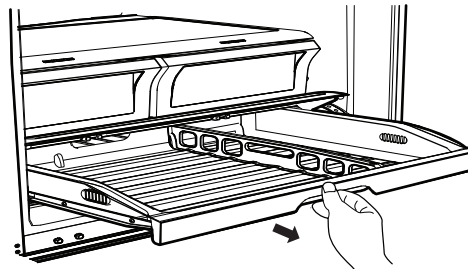


Utilisation du Réfrigérateur à portes françaises SAMSUNG

4. Cool Select Pantry™

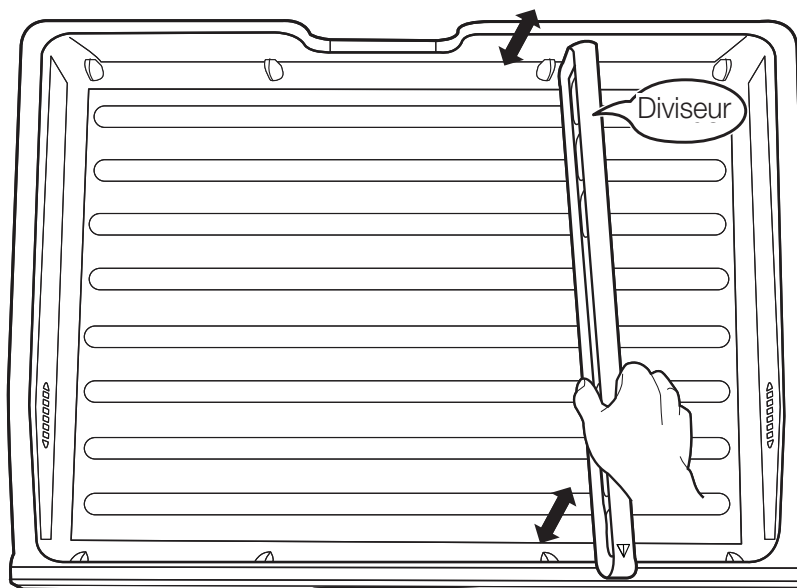
Démontage : tirez complètement sur le plateau. Inclinez vers le haut l'avant du plateau et tirez-le complètement.

Remise en place : poussez les rails vers l'arrière du réfrigérateur. Placez le tiroir sur les rails et faites glisser le plateau jusqu'à ce qu'il soit en place.



Retrait du séparateur : tirez complètement le plateau et levez l'avant du séparateur pour le déloger du fond du plateau, puis levez le plateau pour le sortir.

Remise en place du séparateur : accrochez l'arrière du séparateur au fond du plateau et poussez-le vers le bas.



EMPLOYER LES PORTES

Les portes du réfrigérateur ferment entièrement et sont très bien scellées.

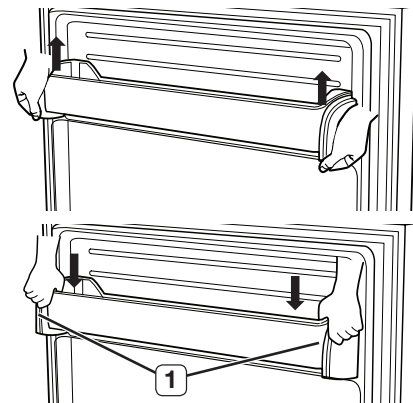
Si la porte du réfrigérateur est ouverte seulement en partie, elle fermera automatiquement, sauf si elle est ouverte plus de 3 pouces (7cm).

ENLEVER LES ACCESSOIRES DU CONGELATEUR

1. Compartiment inclinable

Pour enlever - Tirez des crochets (1) vers le haut jusqu'à entendre un déclic et enlevez le compartiment.

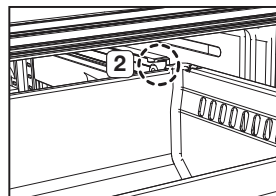
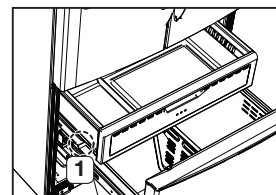
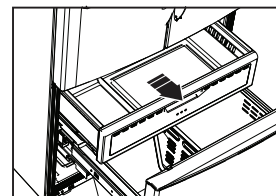
Pour replacer - Accrochez les extrêmes du compartiment dans les deux crochets (1) et poussez jusqu'à ce qu'ils enclenchent en place.



2. Tiroir extractible

Pour retirer - Tirez le tiroir à son extension complète. Relevez l'arrière du tiroir et soulevez droit vers l'extérieur.

Pour replacer - Placez le tiroir sur les rails en le relevant. Abaissez le tiroir à sa place jusqu'à ce qu'il soit horizontal et glissez le tiroir à l'intérieur.



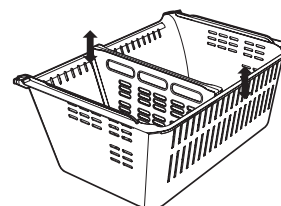
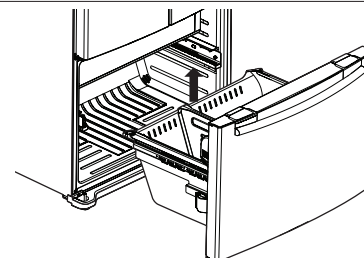
3. Bac du tiroir du congélateur

Pour enlever le tiroir - Tirez le tiroir dehors entièrement. Inclinez l'arrière du bac et relevez-le pour l'enlever.

Pour replacer le tiroir - Placez le bac dans l'assemblage des glissières.

Pour enlever le diviseur - Tirez du diviseur directement.

Pour replacer le diviseur - Accrochez les coins supérieurs du diviseur au trou du bac.



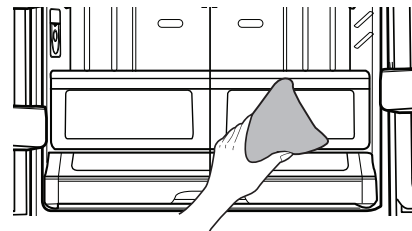
Utilisation du Réfrigérateur à portes françaises SAMSUNG

NETTOYAGE DU RÉFRIGÉRATEUR

Vos soins pour le Réfrigérateur à portes françaises Samsung prolongent la vie utile de l'appareil et aident à le conserver libre d'odeurs et de germes.

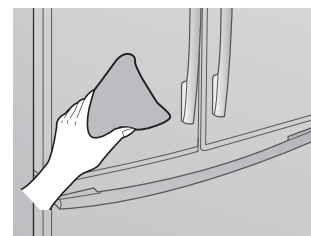
Nettoyage de l'intérieur

Nettoyez l'intérieur des murs et les accessoires avec un détergent doux et essuyez-les avec un chiffon doux. Vous pouvez enlever les tiroirs et les clayettes pour un nettoyage plus profond. Simplement, assurez-vous de sécher bien les tiroirs et les clayettes avant de les remettre en place.

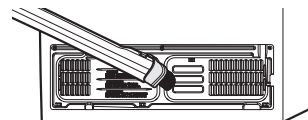


Nettoyage de l'extérieur

Essuyez le panneau numérique et l'affichage avec un chiffon propre et doux. Arrosez de l'eau sur le chiffon au lieu de l'arroser directement sur la surface du réfrigérateur. Cela aide à assurer une bonne distribution de l'humidité sur la surface. Les portes, les poignées et les surfaces doivent être nettoyées avec du détergent doux et ensuite essuyées avec un chiffon doux. Pour que votre appareil conserve la meilleure apparence, il faut lustrer l'extérieur une ou deux fois par an.



ATTENTION N'utilisez pas de benzène, de solvant ou de clorox pour nettoyer. Ils peuvent endommager la surface de l'appareil et produire un incendie.



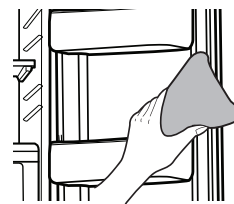
Nettoyage du distributeur d'eau (RF266AB)

Nettoyez le distributeur à l'aide d'un chiffon humide. Essuyez-le ensuite à l'aide d'un chiffon doux.



Nettoyage des joints de porte

Si les joints sont encrassés, les portes risquent de ne pas se fermer correctement, entraînant une perte d'efficacité du réfrigérateur. Nettoyez-les régulièrement à l'aide de détergent doux et d'un chiffon humide. Puis, essuyez-les à l'aide d'un chiffon doux.



ATTENTION Ne projetez pas d'eau sur le réfrigérateur lorsque celui-ci est raccordé au secteur. Vous risqueriez de provoquer un choc électrique. N'utilisez pas de benzène, de solvant, de détergent pour voiture ni aucun produit inflammable.

Nettoyage de l'arrière du réfrigérateur

Nous vous conseillons de nettoyer et de dépoussiérer l'arrière du réfrigérateur une à deux fois par an.

ATTENTION Ne retirez jamais le capot arrière, sous peine d'électrocution.

CHANGEMENT DES AMPOULES



ATTENTION

Avant de rien changer dans l'intérieur, mettez le réfrigérateur hors tension. Si vous avez des doutes par rapport au changement des ampoules après avoir lu ces instructions, contactez votre centre d'assistance pour obtenir de l'aide.

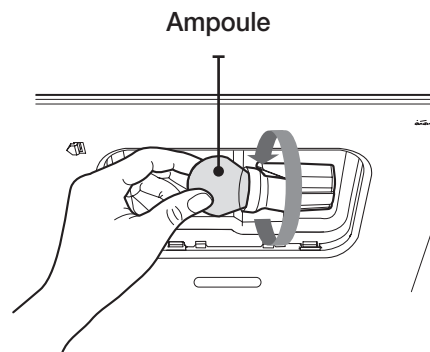
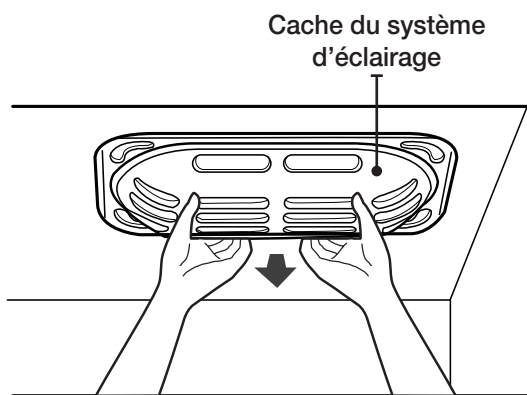


Les ampoules de rechange pour congélateur sont disponibles auprès de votre quincailler ou magasin de bricolage habituel.

Utilisez une ampoule de type E26 (60 W maxi.) Les LED du réfrigérateur doivent en revanche être remplacées uniquement par un centre agréé Samsung.

Remplacer l'ampoule du tiroir congélateur

1. Débranchez l'appareil.
2. Retirez le tiroir. Reportez-vous à la rubrique « Retirer le tiroir congélateur auto » en page 31.
3. Enlevez le cache du système d'éclairage en tirant dessus.
4. Faites tourner l'ampoule dans le sens inverse des aiguilles d'une montre pour la retirer.
5. Pour remonter le tout, suivez la procédure dans le sens inverse.



ATTENTION

N'introduisez pas les doigts dans le couvercle. L'ampoule peut être chaude.

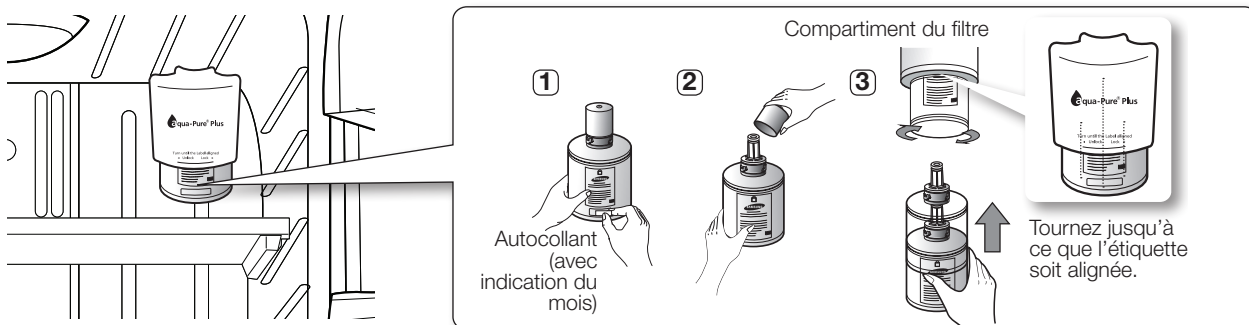
Utilisation du Réfrigérateur à portes françaises SAMSUNG

CHANGEMENT DU FILTRE À EAU

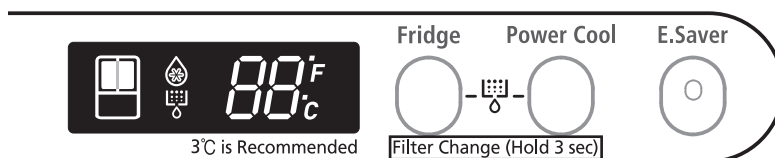
Le voyant du filtre à eau s'allume lorsque la cartouche doit être remplacée.

Néanmoins, vous disposez d'un certain délai avant que le filtre ne soit complètement hors d'usage afin que vous puissiez le remplacer. Pour profiter en permanence d'une eau parfaitement pure, nous vous conseillons de remplacer le filtre dès que nécessaire.

1. Retirez le filtre à eau de son compartiment et collez l'étiquette de remplacement sur le filtre, comme indiqué dans l'illustration. Comptez six mois à partir de la date actuelle et collez l'étiquette correspondante sur le filtre. Par exemple, si vous installez le filtre en mars, placez l'étiquette "SEP" pour vous rappeler de le changer en septembre. En principe, la durée de vie d'un filtre est de 6 mois.
2. Retirez le bouchon du nouveau filtre puis retirez l'ancien filtre.
3. Mettez le nouveau filtre en place dans son compartiment. Faites pivoter doucement le filtre d'un quart de tour vers la gauche pour l'aligner sur la marque du capot et le verrouiller. Alignez bien la marque sur l'étiquette du filtre avec le centre de la marque sur le compartiment, comme illustré. Ne serrez pas trop le filtre.




4. Lorsque vous avez terminé, appuyez simultanément sur les touches Fridge et Power Cool pendant 3 secondes pour remettre le compteur de temps à zéro.



5. Enfin, laissez couler l'équivalent de six verres d'eau.

Attendez que l'eau soit parfaitement claire avant de la boire.

 Des gouttes peuvent s'échapper du distributeur s'il n'est pas bien purgé, car il peut rester de l'air dans le circuit.

N'utilisez jamais le distributeur d'eau ou de glace sans cartouche de filtre, sous peine de bloquer l'arrivée d'eau.

Commander un filtre à eau de rechange

Pour obtenir un filtre à eau de rechange, vous pouvez visiter votre centre de services local ou communiquer avec le distributeur de pièces Samsung. Assurez-vous que le filtre de rechange et la boîte qui le contient portent le logo SAMSUNG.

Link : <http://www.samsungparts.com>

TABLEAU DU FILTRE À EAU

Fiche technique pour le modèle Samsung DA97-06317A Utilisation de la cartouche de rechange DA29-00003G

Ce système a été testé selon les normes NSF/ANSI 42 et 53 pour la réduction des substances énumérées ci-dessous. La concentration des substances indiquées dans l'eau entrant dans le système a été réduite à une concentration inférieure ou égale à la limite permise pour l'eau quittant le système, comme spécifié dans les normes NSF/ANSI 42 et 53.



Le système testé et certifié par NSF International selon la norme NSF/ANSI 42 pour la réduction du goût et de l'odeur de chlore, classe particulière I, et selon la norme NSF/ANSI 53 pour la réduction de kystes, de turbidité, du plomb, d'amiante, de benzène, de carbofuranne, de p-Di chlorobenzène et de mercure.

À une capacité de 300 gallons (1 136 litres).

Notez que tandis que l'essai a été réalisé sous les conditions d'un laboratoire standard, les performances réelles peuvent varier.

Réduction de contaminant	Concentration affluante moyenne	Le NSF a spécifié les unités affluantes de concentration de défi s'appliquent à chaque rangée	% moyens de réduction	Concentration moyenne en eau de produit	Concentration permise maximale en eau de produit	Conditions de réduction NSF	Essai NSF
Goût et odeur de chlore	2,1 mg/l	2,0 mg/l ± 10%	97,6	0,05 mg/l	S.O.	> 50%	J-00029741
Dimension particulaire de la classe I : < 0,5 à < 1 µm	10 566 666 pt/ml	Au moins 10 000 particules/ml	98,4	171,833 pts/ml	S.O.	> 85%	J-00029739
Kystes*	127 500 kystes/l	Minimum 50 000 kystes/l	99,99	<1 kystes/l	S,O,	> 99,95%	J-00031000
Turbidité	10,5	11±1 NTU	98,6	0,15 NTU	0,5 NTU	> 0,5 NTU	J-00033223
Plomb à pH 6,5	153 ug/L	0,15±10%	99,3	<1ug/L	0,010 mg/L	10 ug/L	J-00039590
Plomb à pH 8,5	155 ug/L	0,15±10%	>99,4	<1ug/L	0,010 mg/L	10 ug/L	J-00039591
Mercure à pH 6,5	5,97 ug/L	0,006±10%	96,6	<0,2 ug/L	0,002 mg/L	2 ug/L	J-00039589
Mercure à pH 8,5	6,29 ug/L	0,006±10%	88,9	0,7 ug/L	0,002 mg/L	2 ug/L	J-00039586
Amiante	140 MFL	107 à 108 fibres > µm en longueur	> 99	<0,17 MFL	S,O,	99%	J-00029743
Benzène	13,88 ug/L	0,015±10%	96,4	<0,5 ug/L	0,005 mg/L	< 5 ug/L	J-0029751
Carbofuranne	79,6 ug/L	0,190 mg/L	98,7	1 ug/L	0,001 mg/L	< 40 ug/L	J-00029750
P-Di chlorobenzène	237,5 ug/L	0,225±10%	99,8	0,525 ug/L	0,075 mg/L	< 75 ug/L	J-00029749

Basé sur l'utilisation des ocysts de parvum de *Cryptosporidium*

Utilisation du Réfrigérateur à portes françaises SAMSUNG

CERTIFICATION DU FILTRE A EAU

État de Californie
Département de la santé publique

Dispositif de traitement de l'eau
Numéro de certificat

04 - 1660

Date de publication : juillet 7, 2004

Date de révision : juin 2, 2008

Marque déposée/désignation du modèle

Samsung DA61-00159A-B

Samsung DA97-06317A

Éléments de rechange

DA29-00003

DA29-00003G

Fabricant : Cuno Incorporated

Les dispositifs de traitement de l'eau énumérés sur ce certificat ont répondu aux exigences d'essai conformément au Paragraphe 116830 du code de santé et sécurité pour les contaminants relatifs à la santé suivants :

Contaminants microbiologiques et turbidité

Kystes
Turbidité

Contaminants inorganiques/radiologiques

Amiante
Plomb
Mercure

Contaminants organiques

Benzène
Carbofuranne
p-Di chlorobenzène

Capacité de service nominale : 300 gallons

Débit de service nominal : 0,5 gal/min

États de certification :

N'utilisez pas de l'eau microbiologiquement peu sûre ou de l'eau de qualité inconnue, sauf que les systèmes certifiés pour la réduction de kyste peuvent être utilisés sur les eaux désinfectées qui peuvent contenir les kystes filtrables.

ASTUCES POUR LE STOCKAGE DE NOURRITURE

Aliments	Réfrigérateur	Congélateur	Astuces de stockage
PRODUITS LAITIERS			
Beurre	2 ou 3 semaines	6 à 9 mois	Enveloppez ou couvrez soigneusement.
Lait	1 à 2 semaines	Non recommandé	Vérifiez la date. La plupart des laits et produits semblables sont vendus dans des emballages datés qui indiquent la fraîcheur maximale d'un produit. Refermez avec le couvercle ou enveloppez soigneusement. Ne retournez pas les portions inutilisées dans l'emballage d'origine.
Fromage fondu, fromage, et fromage à tartiner	2 à 4 semaines	Non recommandé	Vérifiez la date. Conservez tout le fromage soigneusement emballé dans un emballage étanche à l'humidité.
Fromage à pâte dure (non-ouvert)	3 à 4 mois	6 mois	
Fromage à pâte dure (ouvert)	2 mois	Non recommandé	
Fromage blanc	10 à 15 jours	Non recommandé	
Crème	7 à 10 jours	2 mois	Vérifiez la date. La plupart des yaourts, crèmes, et des produits semblables sont vendus dans des cartons datés qui indiquent la fraîcheur maximale d'un produit. Refermez ou couvrez soigneusement. Ne retournez pas les portions inutilisées dans l'emballage d'origine.
Crème sure	2 semaines	Non recommandé	
Crème à tremper (ouvert)	1 semaine	Non recommandé	
Yaourt	10 à 14 jours	Non recommandé	Vérifiez la date. Conservez couvert.
Yaourt surgelé	S.O.	2 mois	
ŒUFS			
Œufs (crus)	3-4 semaines	Non recommandé	Vérifiez la date. Stockez les œufs dans la zone la plus froide du réfrigérateur et dans leur récipient d'origine.
Œufs (cuits)	1 semaine	Non recommandé	Stockez dans un récipient couvert.
Plats de surplus d'œufs	3 à 4 jours	Non recommandé	Stockez dans un récipient couvert.
FRUITS FRAIS			
Pommes	1 mois	Non recommandé	Pour stocker dans le réfrigérateur, ne lavez pas le fruit avant le stockage. Stockez dans les sacs ou des récipients résistants à l'humidité. Enveloppez les fruits coupés. Certains fruits noircissent une fois réfrigérés.
Bananes	2 à 4 jours	Non recommandé	
Pêches, melons, poires, avocats	3 à 5 jours	Non recommandé	
Baies et cerises	2 à 3 jours	12 mois	
Abricots	3 à 5 jours	Non recommandé	
Raisins	2 à 5 jours	S.O.	
Ananas (non coupé)	2 à 3 jours	Non recommandé	
Ananas (coupé)	5 à 7 jours	6 à 12 mois	
Citron	1 à 2 semaines	Non recommandé	Stockez non couvert.
Jus	6 jours	Non recommandé	Vérifiez la date et refermez dans le récipient d'origine. Ne retournez pas les portions inutilisées dans l'emballage d'origine.
Jus surgelé	Dégel seulement	12 mois	Vérifier la date. Ne recongelez pas.

Utilisation du Réfrigérateur à portes françaises SAMSUNG

Aliments	Réfrigérateur	Congélateur	Astuces de stockage
POISSONS, MOLLUSQUES ET CRUSTACÉS			
Poisson			
Poisson gras (maquereau, truite, saumon)	1 à 2 jours	2 à 3 mois	Conservez dans l'emballage d'origine et stockez dans la zone la plus froide du réfrigérateur. Emballez dans un emballage à l'épreuve de la vapeur et de l'humidité pour le congélateur. Congelez à 0°F. Dégelez dans le réfrigérateur ou sous l'eau courante froide. Vérifiez la date. Congelez dans l'emballage d'origine.
Poisson maigre (morue, flet, etc.)	1 à 2 jours	6 mois	
Congelé ou pané	S.O.	3 Months	
Mollusques et crustacés			
Crevette (crue)	1 à 2 jours	12 mois	Pour congeler, emballez dans un récipient à l'épreuve de la vapeur et de l'humidité.
Crabe	3 à 5 jours	10 mois	
Poissons, mollusques ou crustacés cuits	2 à 3 jours	3 mois	
VIANDE			
Frais, cru			
Côtelettes	2 à 4 jours	6 à 12 mois	Vérifiez la date avant utilisation. Stockez dans la zone la plus froide du réfrigérateur dans l'emballage d'origine. Ajouter d'autre emballage dans le récipient à l'épreuve de l'humidité et de la vapeur pour le congeler. La température recommandée est de 33 à 36°F pour le réfrigérateur et de 0 à 2°F pour le congélateur.
Moulu	1 jour	3 à 4 mois	
Rôti	2 à 4 jours	6 à 12 mois	
Lard	1 à 2 semaines	1 à 2 mois	
Saucisse	1-2 Days	1 à 2 mois	
Bifteck	2 à 4 jours	6 à 9 mois	
Volaille	1 jour	12 mois	
Viande de déjeuner	3 à 5 jours	1 mois	
Cuit			
Viande	2 à 3 jours	2 à 3 mois	Vérifiez la date avant utilisation. Stockez dans la zone la plus froide du réfrigérateur dans l'emballage d'origine. Emballez dans un emballage à l'épreuve de la vapeur et de l'humidité pour le congélateur.
Volaille	2 à 3 jours	4 à 5 mois	
Jambon	1 à 2 semaines	1 à 2 mois	

Sources:

American Meat Institute Foundation. 1994. Pages jaunes : les réponses aux questions fréquentes des consommateurs à propos de la viande et la volaille. American Meat Institute Food Marketing Institute. 1999. The food keeper. Food Marketing Institute, Washington, D.C. Freeland-Graves, J.H. et G.C. Peckham. 1996. Foundations of food preparation, 6th ed. Prentice-Hall, Inc. Englewood Cliffs, NJ. Hillers, V.N. 1993. Storing foods at home. Washington State University Cooperative Extension, Pullman, WA. Publ. EB 1205. National Restaurant Association. 2001. Be cool-chill out! Refrigerate promptly. National Restaurant Association Education Foundation's International Food Safety Council, Washington, D.C. USDA. 1997. Basics for handling food safely. U.S. Department of Agriculture, Food Safety and Inspection Service, Washington, D.C.

Dépannage

PROBLEMES	SOLUTION
Le réfrigérateur ne marche pas du tout ou il ne refroidit pas suffisamment.	<ul style="list-style-type: none"> • Vérifiez que la corde d'alimentation est correctement branchée. • Le contrôle de température sur le panneau d'affichage est-il réglé à la température correcte? Essayez de le régler à une température plus basse. • Le réfrigérateur est-il directement sous la lumière du soleil ou est-il placé près d'une source de chaleur ? • Le mur derrière le réfrigérateur est-il trop près et donc il empêche la circulation d'air?
Les aliments dans le réfrigérateur sont gelés.	<ul style="list-style-type: none"> • Le contrôle de température sur l'affichage est-il réglé à la température correcte ? Essayez avec une température plus chaude. • La température ambiante est-elle trop froide ? • Vous avez gardé des aliments ayant un contenu d'eau très haut dans la partie la plus froide du réfrigérateur ? Essayez en passant ces objets vers le corps principal du réfrigérateur au lieu de les mettre dans le Cool Select Pantry™.
Vous sentez des bruits ou des sons inhabituels.	<ul style="list-style-type: none"> • Vérifiez que le réfrigérateur est nivelé et stable. • L'arrière du réfrigérateur est-elle trop près du mur et elle empêche la circulation d'air ? • Quelque chose est tombée derrière ou sous le réfrigérateur? • On entend un son « tic » qui vient de l'intérieur du réfrigérateur. Ce son est normal et se produit parce que les accessoires rétrécissent ou s'élargissent selon la température existante à l'intérieur du réfrigérateur.
Les coins avant et la section verticale articulée de l'appareil sont chauds et il y a de la condensation.	<ul style="list-style-type: none"> • Une certaine chaleur est normale du fait que le système anti-condensation est installé dans la section verticale articulée du réfrigérateur pour éviter la condensation. • La porte du réfrigérateur baille ? Il peut y avoir de la condensation si vous laissez longtemps la porte ouverte.
La Machine à glace ne produit pas de glace	<ul style="list-style-type: none"> • Avez-vous attendu 12 heures après installer l'arrivée d'eau avant de faire de la glace? • La conduite d'eau est connectée et le robinet de sectionnement est ouvert? • Avez-vous arrêté manuellement la fonction de production de glace? • La température du congélateur est-elle trop haute? Essayez en réglant le réfrigérateur à une température plus basse.
Vous entendez l'eau faire des bulles dans le réfrigérateur	<ul style="list-style-type: none"> • Cela est normal. Le son vient du liquide frigorigène du réfrigérateur en circulation.
Il y a une mauvaise odeur dans le réfrigérateur	<ul style="list-style-type: none"> • Vérifiez s'il y a des aliments renversés. • Il faut bien couvrir les aliments à forte odeur (le poisson, par exemple). • Nettoyez votre congélateur périodiquement et jetez les aliments renversés ou suspects.
Il y a du gèle sur les murs du congélateur.	<ul style="list-style-type: none"> • Le conduit d'air est-il bloqué? Enlevez toute obstruction pour que l'air circule librement. • Conservez de l'espace suffisant entre les aliments pour faciliter la circulation de l'air. • Le tiroir du congélateur est-il correctement fermé?
Le distributeur d'eau ne marche pas.	<ul style="list-style-type: none"> • La conduite d'eau est-elle connectée et le robinet de sectionnement ouvert? • Le tuyau de la conduite d'arrivée d'eau est cassé ou pincé ? Vérifiez que le tuyau est libre de toute obstruction. • Le réservoir d'eau est-il gelé à cause d'une température du congélateur trop basse? Essayez en sélectionnant un réglage plus chaud sur le panneau d'affichage principal.

Si un appel de service devient nécessaire

Dans le cas où un appel de service devient nécessaire, n'hésitez pas à communiquer avec le centre de service agréé Samsung le plus près de chez vous et donnez votre nom, adresse et numéro de téléphone.

Garantie

Garantie limitée de l'acheteur initial

Ce produit Samsung est garanti par SAMSUNG ELECTRONICS CANADA INC. (ci-après appelé SECA) contre tous défauts de matériaux ou de fabrication pendant les périodes précisées ci-dessous :

Main-d'œuvre : Un (1) an (à la maison)

Pièces : Un (1) an

Compresseur : 5 ans

SECA garantit également que lors du défaut de fonctionnement correct de ce produit durant la période de la garantie spécifiée, si ce manque de fonctionnement est le résultat d'une erreur de fabrication ou d'un défaut matériel, SECA réparera ou remplacera, à sa discrétion, cet appareil.

Toutes les réparations sous garantie ou remplacements de pièces doivent être effectués dans un Centre de service agréé SECA. Pour obtenir le nom et l'adresse du Centre de service agréé le plus près de chez vous, composez le 1-800-SAMSUNG (7267864) ou consultez notre site Internet au www.samsung.com/ca

Obligation de l'acheteur initial

Le reçu de vente initial doit être conservé en tant que preuve d'achat. Il doit être présenté au Centre de service agréé avant qu'un service de garantie ne soit effectué.

Pour tous les modèles portatifs, le client est responsable du transport au et à partir du Centre de service agréé.

Exclusions de la garantie

Cette garantie ne couvre pas les dommages occasionnés par un accident, un incendie, une inondation ou tout cas de force majeure, ni par une mauvaise utilisation, le branchement à une tension incorrecte, une mauvaise installation, des réparations impropres ou non autorisées, l'usage à des fins commerciales ou les dommages survenus lors du transport. Les réglages décrits dans ce manuel et effectués par le client ne sont pas couverts par cette garantie. Cette garantie s'annule automatiquement pour tout appareil dont le numéro de série a été modifié ou est manquant. La présente garantie ne couvre que les appareils achetés et utilisés au Canada.

**Samsung Electronique Canada Inc., Service à la Clientèle
55 Standish Court Mississauga, Ontario L5R 4B2
Canada**

**Customer Care Center 1-800-SAMSUNG(7267864)
Customer Care Center fax. 1-866-436-4617**

memo



Si vous avez des suggestions ou des questions concernant les produits
Samsung, veuillez contacter le Service Consommateurs Samsung.
SAMSUNG ELECTRONICS CANADA, INC.
55 STANDISH COURT MISSISSAUGA, ONTARIO L5R 4B2 CANADA
1-800-SAMSUNG (7267864)
www.samsung.com/ca