

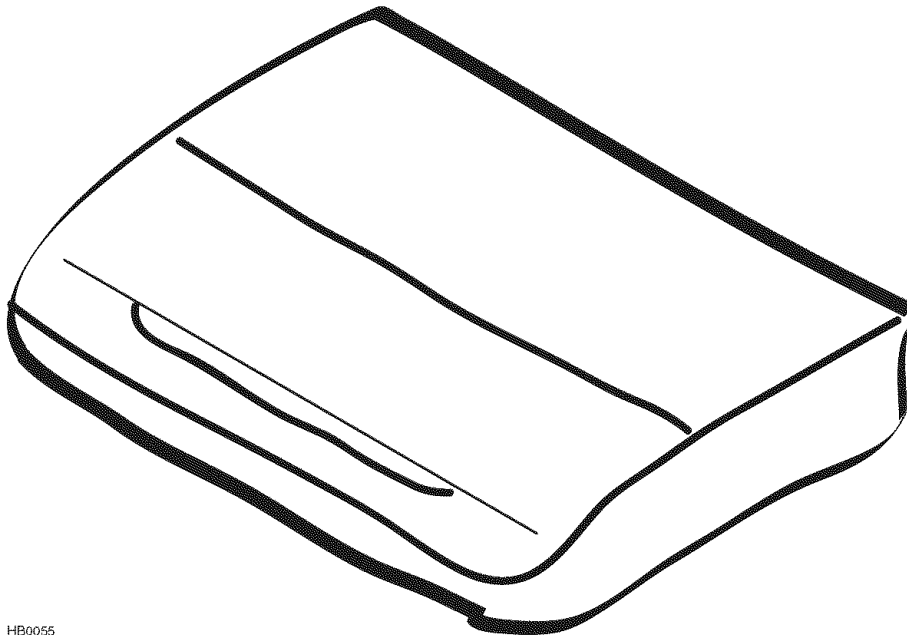
Range Hood

Use & Care / Installation Manual

Campana de cocina

Manual de uso y cuidado / instalación

Models 233.58172600 (30" wide - White)
Modelos 233.58173600 (30" wide - Stainless)
233.58179600 (30" wide - Black)
233.58182600 (36" wide - White)
233.58183600 (36" wide - Stainless)
233.58189600 (36" wide - Black)



HB0055

⚠ INTENDED FOR DOMESTIC COOKING ONLY ⚠
⚠ CONCEBIDO SÓLO PARA USO DOMÉSTICO ⚠

ENGLISH
ESPAÑOL

READ AND SAVE THESE INSTRUCTIONS

TABLE OF CONTENTS

SECTION	PAGE
Warranty	2
Safety Instructions	2
Operation	3
Cleaning	3
Parts Included With Hood	4
Parts Not Included With Hood	4
Tools Needed For Hood Installation	4
Equivalent Duct Length Chart	5
Install Ductwork	6
Prepare The Hood Location	6
Prepare The Hood	7
Install The Hood	10
Connect The Wiring	10
Finalize The Installation	10
Changing Light Bulbs	11
Service Parts	12

WARRANTY

If within 1 year from the date of installation, any part of this range hood fails to function properly due to a defect in material or workmanship, Sears will repair the part or furnish and install a new part, free of charge.

FULL 30-DAY WARRANTY ON FINISH ON PAINTED OR BRIGHT METAL PARTS

If within 30 days from the date of installation, the finish on any painted or bright metal parts of this range hood is defective in material or workmanship, Sears will furnish and install a new part, free of charge.

WARRANTY SERVICE IS AVAILABLE BY CONTACTING THE NEAREST SEARS SERVICE CENTER/DEPARTMENT IN THE UNITED STATES.

This warranty applies only while this product is in use in the United States. This warranty gives you specific legal rights and you may have other rights which vary from state to state.

Sears, Roebuck and Co., Dept 817WA, Hoffman Estates, IL 60179

SAFETY INSTRUCTIONS

WARNING

TO REDUCE THE RISK OF FIRE, ELECTRIC SHOCK, OR INJURY TO PERSONS, OBSERVE THE FOLLOWING:

1. Use this unit only in the manner intended by the manufacturer. If you have questions, contact the manufacturer at the address listed in the warranty.
2. Before servicing or cleaning unit, switch power off at service panel and lock the service disconnecting means to prevent power from being switched on accidentally. When the service disconnecting means cannot be locked, securely fasten a prominent warning device, such as a tag, to the service panel.
3. Installation work and electrical wiring must be done by a qualified person(s) in accordance with all applicable codes and standards, including fire-rated codes and standards.
4. Sufficient air is needed for proper combustion and exhausting of gases through the flue (chimney) of fuel burning equipment to prevent backdrafting. Follow the heating equipment manufacturer's guideline and safety standards such as those published by the National Fire Protection Association (NFPA), and the American Society for Heating, Refrigeration and Air Conditioning Engineers (ASHRAE), and the local code authorities.
5. When cutting or drilling into wall or ceiling, do not damage electrical wiring and other hidden utilities.
6. Do not use this range hood with any additional solid state speed control device.
7. Ducted fans must always be vented to the outdoors.
8. To reduce the risk of fire, use only steel ductwork.
9. This unit must be grounded.

TO REDUCE THE RISK OF A RANGE TOP GREASE FIRE:

1. Never leave surface units unattended at high settings. Boilovers cause smoking and greasy spillovers that may ignite. Heat oils slowly on low or medium settings.
2. Always turn hood ON when cooking at high heat or when cooking flaming foods.
3. Clean ventilating fans frequently. Grease should not be allowed to accumulate on fan or filter.
4. Use proper pan size. Always use cookware appropriate for the size of the surface element.

WARNING

TO REDUCE THE RISK OF INJURY TO PERSONS IN THE EVENT OF A RANGE TOP GREASE FIRE, OBSERVE THE FOLLOWING:*

1. SMOTHER FLAMES with a close-fitting lid, cookie sheet, or metal tray, then turn off the burner. BE CAREFUL TO PREVENT BURNS. If the flames do not go out immediately, EVACUATE AND CALL THE FIRE DEPARTMENT.
2. NEVER PICK UP A FLAMING PAN - You may be burned.
3. DO NOT USE WATER, including wet dishcloths or towels - This could cause a violent steam explosion.
4. Use an extinguisher ONLY if:
 - A. You know you have a Class ABC extinguisher and you already know how to operate it.
 - B. The fire is small and contained in the area where it started.
 - C. The fire department is being called.
 - D. You can fight the fire with your back to an exit.

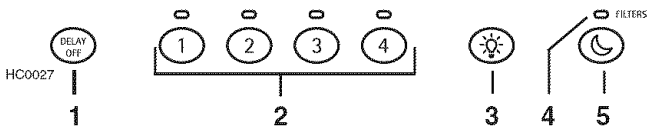
* Based on "Kitchen Fire Safety Tips" published by NFPA.

CAUTION

1. For general ventilating use only. Do not use to exhaust hazardous or explosive materials and vapors.
2. To avoid motor bearing damage and noisy and/or unbalanced impellers, keep drywall spray, construction dust, etc. off power unit.
3. Your hood motor has a thermal overload which will automatically shut off the motor if it becomes overheated. The motor will restart when it cools down. If the motor continues to shut off and restart, have the hood serviced.
4. For best capture of cooking impurities, the bottom of the hood should be a minimum of 24" and a maximum of 30" above the cooking surface.
5. To reduce the risk of fire and to properly exhaust air on a ducted installation, be sure to duct air outside - Do not exhaust air into spaces within walls or ceiling or into attics, crawl spaces, or garage.
6. This product is equipped with a thermostat which may start blower automatically. To reduce the risk of injury and to prevent power from being switch on accidentally, switch power off at service panel and lock or tag service panel.
7. Because of the high exhausting capacity of this hood, you should make sure enough air is entering the house to replace exhausted air by opening a window close to or in the kitchen.
8. Use with approved cord-connection kit only.
9. Please read specification label on product for further information and requirements.

OPERATION

Always turn ON your hood before you begin cooking in order to establish an air flow in the kitchen. Let the blower run for a few minutes to clear the air after you turn off the range. This will help keep the whole kitchen cleaner and brighter.



1. Blower Delay switch
2. ON/OFF Blower speed switches
3. Halogen lights switch
4. Filter maintenance indicator
5. Nightlight switch

Delay OFF switch

When a speed is selected, press the Delay OFF switch to activate the delay function. The corresponding speed indicator LED will start flashing to indicate this function is activated. The fan will continue to operate for 5 minutes and will stop automatically. To cancel the delay function, press the Delay OFF switch once again; the blower will then work in normal mode.

NOTE: The blower speed can be increased - or decreased - during Delay mode without starting another 5-minute cycle.

ON/OFF Blower speed switches

Press the switch corresponding to the desired blower speed. The light over the switch indicates the selected speed (from 1 for low speed to 4 for high speed). To turn off the blower, press once more on the corresponding blower speed switch.

HEAT SENTRY

Your hood is equipped with a HEAT SENTRY thermostat. This thermostat is a device that will turn on or speed up the blower if it senses excessive heat above the cooking surface. The light indicator over speed 3 switch will quickly flash.

- 1) If blower is OFF - it turns blower ON to speed 3.
- 2) If blower is ON at a lower (or higher) speed setting - it turns blower to speed 3.

When the temperature level drops to normal, the blower will return to its original setting and the light indicator over speed 3 switch will stop flashing.



WARNING: The HEAT SENTRY thermostat can start the blower even if the hood is turned OFF. When this occurs, press the speed 3 switch until its light indicator stops flashing if you must stop the blower.

Halogen lights switch

This switch provides 3 different lighting levels, according to your needs. The lighting intensity changes by increments of 1 (e.g.: press once for low intensity, once again to get more, up to three times). From the higher intensity, press once again to shut off the lights.

Use 120 Volts, 50 W, MR 16 with GU10 base or PAR 16 with GU10 base, shielded halogen bulbs (included).



WARNING: In order to prevent the risk of personal injury, do not install a lamp identified for use only in enclosed fixtures.

OPERATION

Filter maintenance indicator

After 24 hours of operation, the filter maintenance light indicator will start blinking. This indicates the filters need to be cleaned in order to maintain efficient operation of the unit. The indicator light will blink until the function is reset by pressing the nightlight switch for 3 seconds.

Nightlight switch

Press this switch once to turn on the nightlight. Press this switch once more to shut off the nightlight.

CLEANING

Grease filters

The grease filters and the bottom panel should be cleaned frequently. Use a warm detergent solution. Grease filters are dishwasher safe.

Wash more often if your cooking style generates greater grease - like frying foods or wok cooking.

Remove filters by pulling latch tabs and rotating filters downward.

Hood Cleaning

Stainless steel cleaning: How to maintain its "BRIGHT LOOK"

Do:

- Regularly wash surfaces with clean cloth or rag soaked with warm water and mild soap or liquid dish detergent.
- Always clean in the direction of original polish lines.
- Always rinse well with clear water (2 or 3 times) after cleaning. Wipe dry completely.
- You may also use a specialized household stainless steel cleaner.

Don't:

- Do not use any steel or stainless steel wool or any other scrapers to remove stubborn dirt.
- Do not use any harsh or abrasive cleaners.
- Do not allow dirt to accumulate.
- Do not let plaster dust or any other construction residues reach the hood. During construction/renovation, cover the hood to make sure no dust sticks to stainless steel surface.

Avoid: when choosing a detergent

- Any cleaners that contains **bleach** will attack stainless steel.
- Any products containing: **chloride, fluoride, iodide, bromide** will deteriorate surfaces rapidly.
- Any combustible products used for cleaning such as **acetone, alcohol, ether, benzol**, etc., are highly explosive and should not be used close to a range.

Enamel Finish:

Clean with warm water and mild detergent only. If discoloration occurs, use a good enamel polish such as automotive polish. (DO NOT use rough abrasive cleaner or porcelain cleaner).

Warranty

Safety

Operation

Cleaning

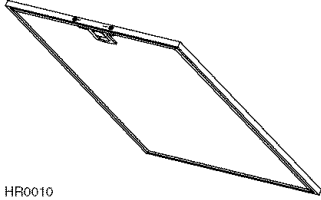
Installation

Service Parts

PARTS INCLUDED WITH HOOD

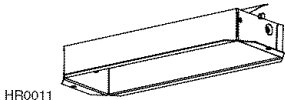


120 V, 50W, MR16 with GU10 base
or PAR 16 with GU10 base,
shielded halogen lamps
(4 per hood)
Sears Part No. V05921



HR0010

Grease Filter
(2 per hood)



HR0011

**3/4-in. x 10-in.
Adapter/damper**



Parts Bag
(includes (1) Wire Clamp LP16-AP,
(2) Wire Connectors #74B,
(5) #8 x 1/2" Screws, (3) #6 x 1/2" Screws))

PARTS NOT INCLUDED WITH HOOD

Ducting Accessories

(See "Equivalent Duct Length Chart" on page 5 for Ducting
Accessory Model Nos.)

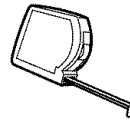
TOOLS NEEDED FOR HOOD INSTALLATION



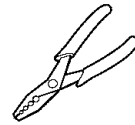
Screwdriver
(Robertson or Phillips)



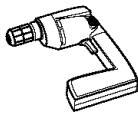
Pencil



**Tape
Measure**



**Wire
Stripper**



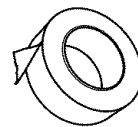
Drill



**Sabre
Saw**




**-or-
Keyhole
Saw**



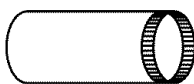
Duct Tape

EQUIVALENT DUCT LENGTH CHART


Kenmore range hoods are designed to perform efficiently when attached to long runs of duct. As a point of reference, this hood will function at approximately 80% of its rated air performance when 100 equivalent feet of 7" round ductwork is attached. Use this chart to calculate the equivalent duct length of your system.




Broan Model 401
Straight Duct
3 1/4 -in. x 10-in. x 2-ft. long
Equivalent length
2 ft.



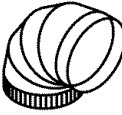
Broan Model 406
Straight Duct
6-in. round x 2-ft. long
Equivalent length
2 ft.




Broan Model 407
Straight Duct
7-in. round x 2-ft. long
Equivalent length
2 ft.




Broan Model 419
6-in. Round Elbow
Equivalent length
8 ft.



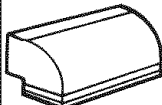
Broan Model 415
7-in. Round Elbow
Equivalent length
10 ft.



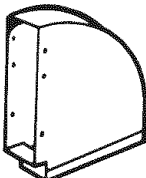
Sears Model 59581
3 1/4-in. x 10-in. to
6-in. Round Transition
Equivalent length
5.5 ft.



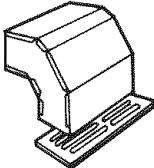
Broan Model 412H
3 1/4-in. x 10-in. to
7-in. Round Transition
Equivalent length
5.5 ft.



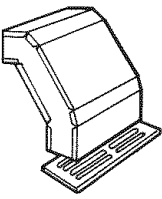
Broan Model 428
3 1/4-in. x 10-in.
Right-angle Elbow
Equivalent length
8.5 ft.



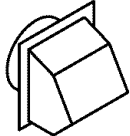
Broan Model 429
3 1/4-in. x 10-in.
Right-angle Flat Elbow
Equivalent length
24 ft.



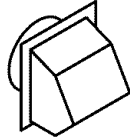
Broan Model 430
3 1/4-in. x 10-in.
Right-angle
Short Eave Elbow
Equivalent length
15 ft.



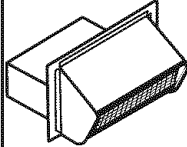
Broan Model 431
3 1/4-in. x 10-in.
Right-angle
Long Eave Elbow
Equivalent length
15 ft.



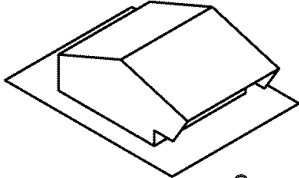
Sears Model 59691
6-in. Round
Wall Cap
Equivalent length
34 ft.
(6-ft. w/o damper)



Broan Model 647
7-in. Round
Wall Cap
Equivalent length
34 ft.
(6-ft. w/o damper)



Sears Model 59391
3 1/4-in. x 10-in.
Wall Cap
Equivalent length
45 ft.
(7-ft. w/o damper)



Sears Model 59091
Roof Cap
(accepts 7-in. round or
3 1/4-in. x 10-in. duct)
Equivalent length
30 ft. (7-ft. w/o damper)

SEARS STOCK NUMBERS available through your local Sears store, on line at Sears.com, or from Sears Parts at 1-800-366-7278. For availability of Broan Models, please call 1-800-558-1711.

Warranty

Safety

Operation

Cleaning

Installation

Service Parts

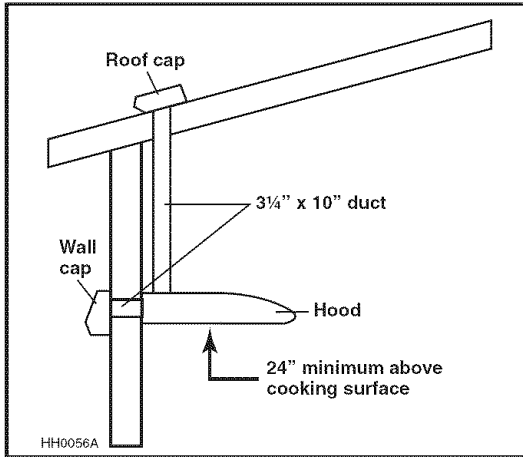


INSTALL DUCTWORK

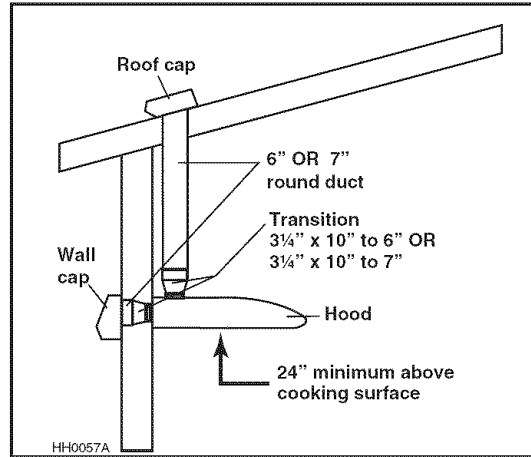
- Plan where and how the ductwork will be located. Install proper-sized ductwork, transition(s), elbow(s), and roof or wall cap. For best results, use a minimum number of transitions and elbows. Use 2" duct tape to seal duct joints.

The minimum hood distance above cooktop must not be less than 24". A maximum of 30" above cooktop is highly recommended for best capture of cooking impurities.

Distances over 30" are at the installer and users discretion.



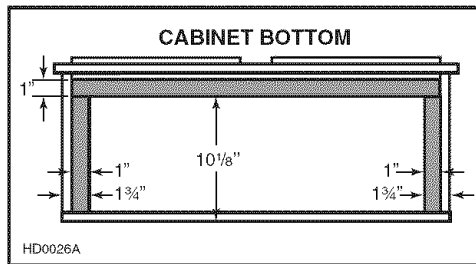
INSTALLATION WITH RECTANGULAR DUCT



INSTALLATION WITH ROUND DUCT

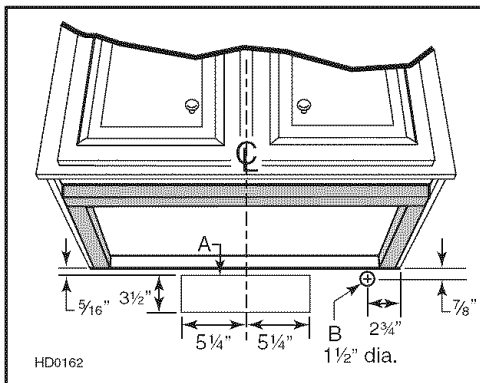
PREPARE THE HOOD LOCATION

- If the bottom of the cabinet is recessed, attach three 1" wide wood strips (not included), as shown below, in order to properly attach the hood to the cabinet. The wood strips must be as thick as the recess.

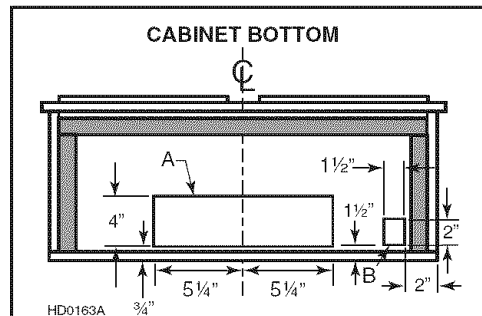


- Cut-out the openings for duct (A) and power cable (B), in cabinet or wall, according to the direction or discharge chosen. See figures below.

HORIZONTAL DISCHARGE



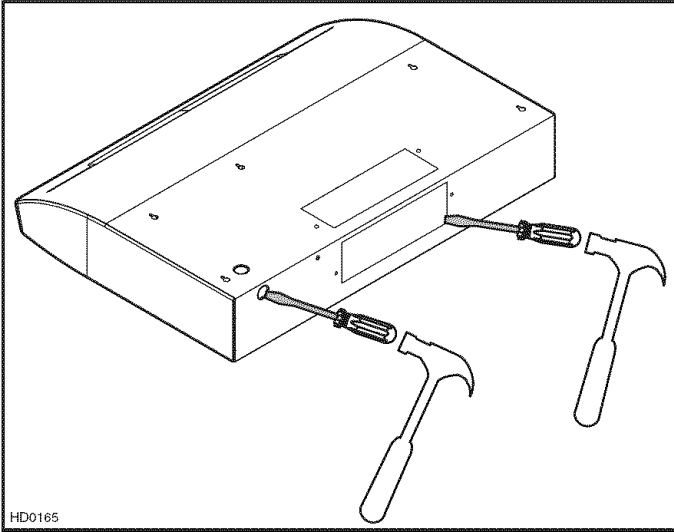
VERTICAL DISCHARGE



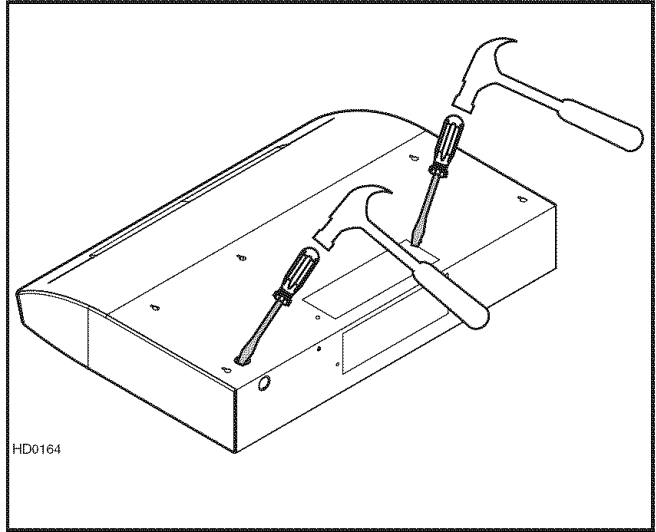
PREPARE THE HOOD

1. Punch-out the knock-out for the chosen opening (horizontal at the back or vertical on top of the hood) and for electrical connection.

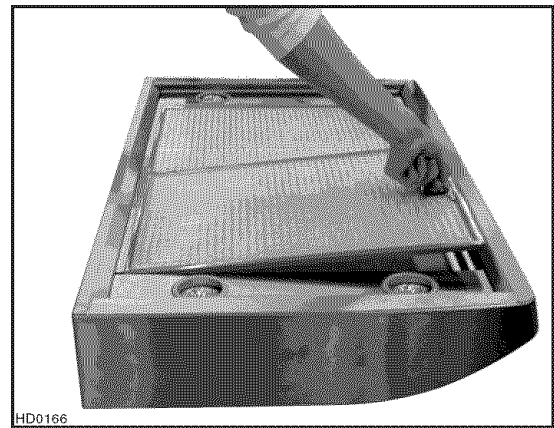
HORIZONTAL DISCHARGE



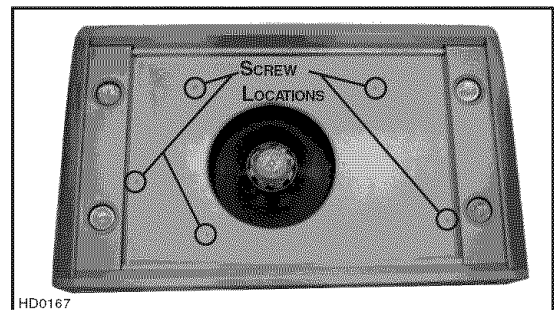
VERTICAL DISCHARGE



2. Pull latch tab and remove both filters from the hood.



3. Remove the 5 screws retaining the bottom panel to the hood and set aside. Pull out the bottom panel by the front part.



Warranty

Safety

Operation

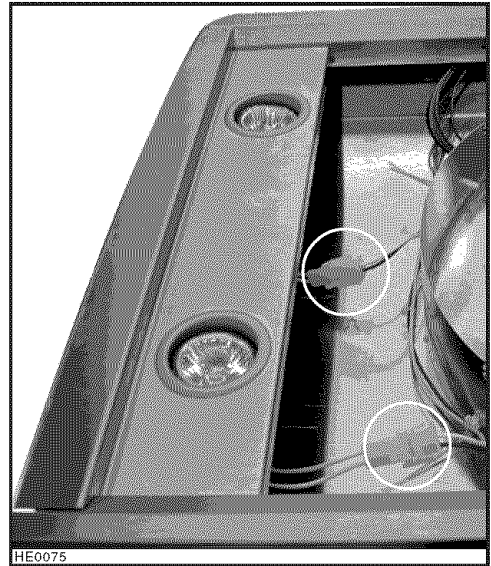
Cleaning

Installation

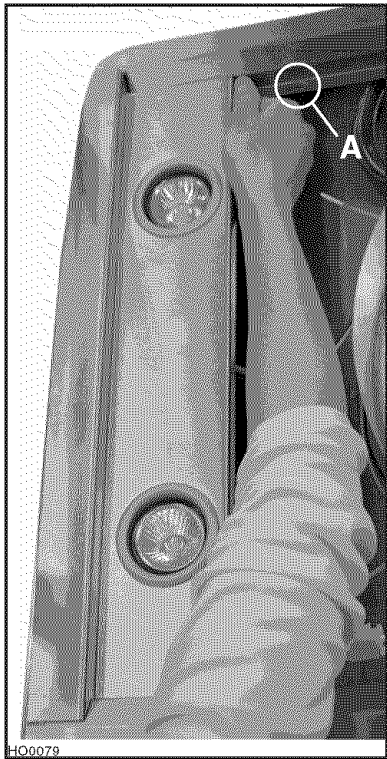
Service Parts

PREPARE THE HOOD

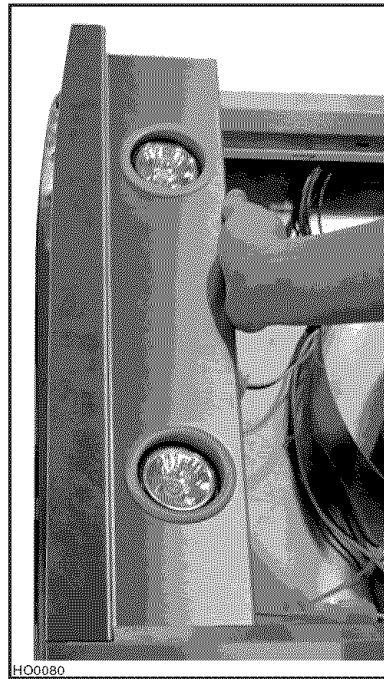
4. Unplug both light connectors mounted on each side panels. See picture beside.



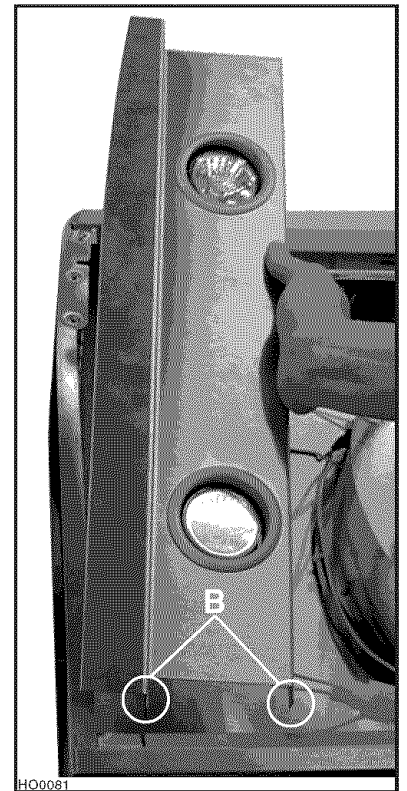
5. To remove side panel, hold it near the front of the hood and slide in the same direction as the small arrow (A) in order to disengage it. See picture below.



6. Then lift the front of the side panel. See picture below.



7. Pull out the side panel tabs (B) from the hood and remove the side panel. See picture below.

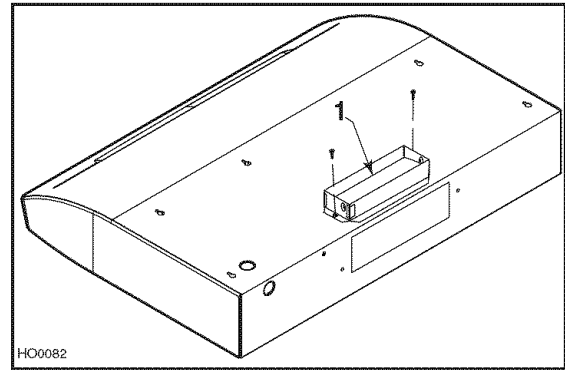


PREPARE THE HOOD

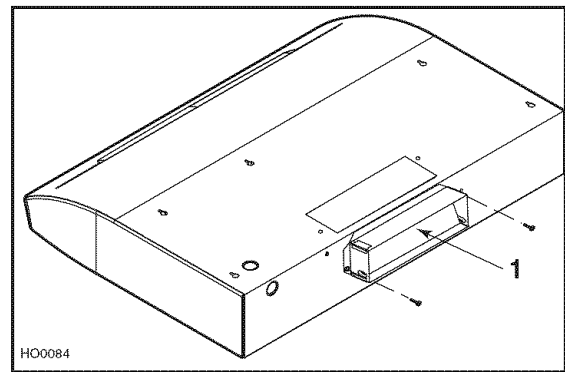
8. Using (2) **#6 x 1/2" screws**, assemble the **adapter/damper** to the hood.

NOTE: Damper flap pivot (1) to the front of the hood for vertical discharge and for horizontal discharge, damper flap pivot to top of hood.

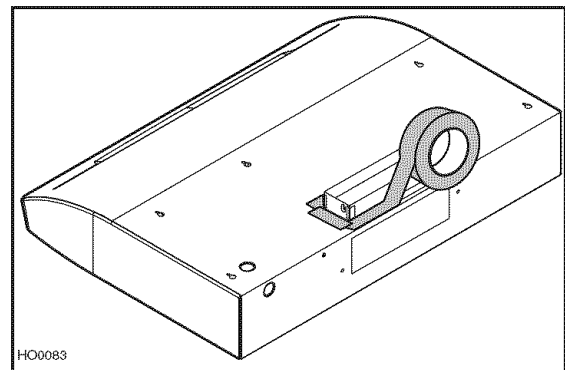
Vertical Discharge



Horizontal Discharge

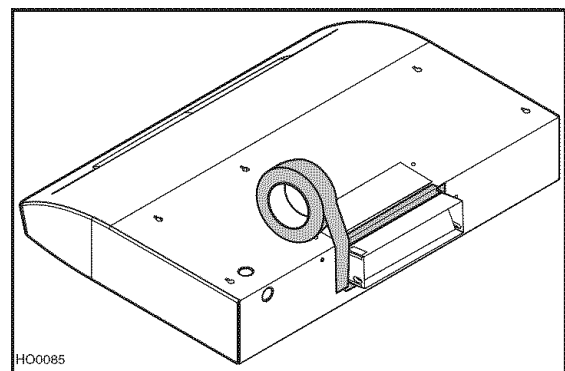


Vertical Discharge



9. Seal the adapter/damper to the hood using duct tape.

Horizontal Discharge



Warranty

Safety

Operation

Cleaning

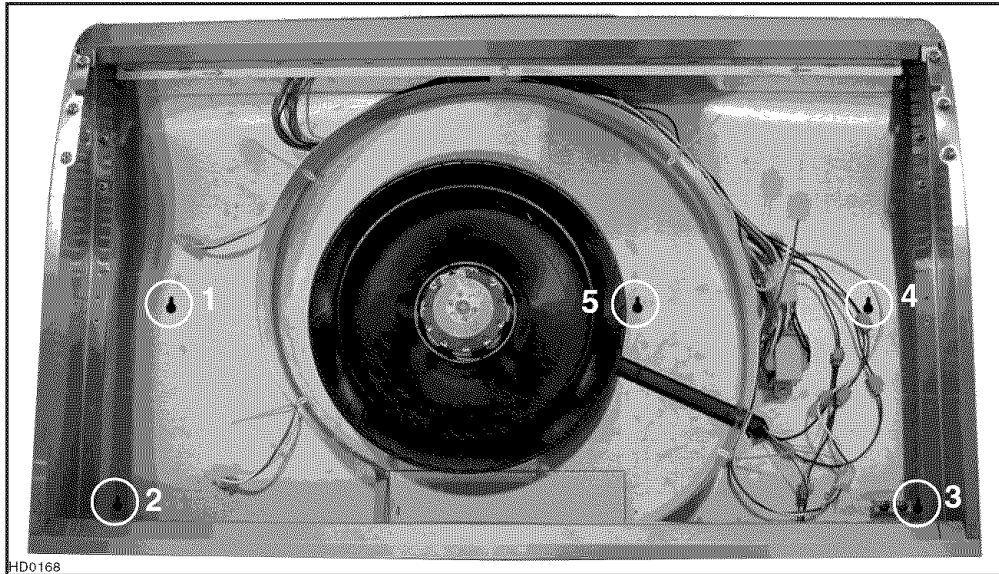
Installation

Service Parts

INSTALL THE HOOD

1. Run power cable to installation location. Position the hood in its intended location. Using a pen, mark the position of the screws (smaller part of the keyhole, see picture below for the 5 keyhole locations). Remove the hood.

Install (4) **#8 x 1/2" screws**, leaving a 1/8" gap. Do not install the #5 screw yet.



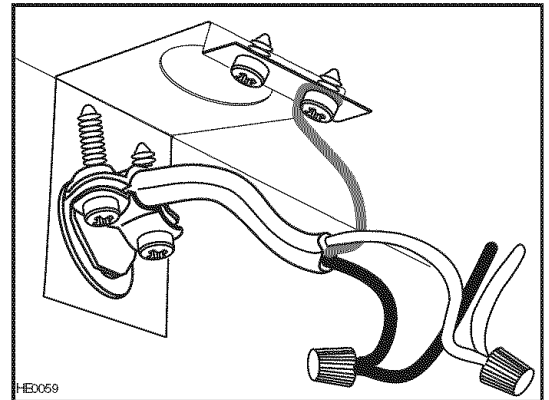
2. Attach the wire clamp, insert the power cable in the hood and tighten the wire clamp to secure the cable. Place the hood under the cabinet and slide it in position. Make sure the adapter/damper assembly enters the duct opening. Tighten the (4) screws completely, then add the last screw (screw #5) in the center keyhole. Make sure the damper flap opens freely.

CONNECT THE WIRING



WARNING: Risk of electrical shock. Electrical wiring must be done by qualified personnel in accordance with all applicable codes and standards. Before connecting wires, switch power off at service panel and lock service disconnecting means to prevent power from being switched on accidentally.

1. Connect cable using provided **wire connectors**. Connect BLACK to BLACK, WHITE to WHITE and GREEN or bare wire under GREEN ground screw. **DO NOT FORGET TO CONNECT THE GROUND.** See illustration beside.



FINALIZE THE INSTALLATION

1. Reinstall both side panels. **DO NOT FORGET TO PLUG BACK THE LIGHT CONNECTORS!**
2. Reinstall bottom panel using 5 screws from Step 3 of "Prepare The Hood" Section.



CAUTION: Remove protective plastic film covering filters before installing them.

3. Reinstall both filters.

CHANGING LIGHT BULBS



WARNING: In order to prevent the risk of personal injury, do not install a lamp identified for use only in enclosed fixtures.

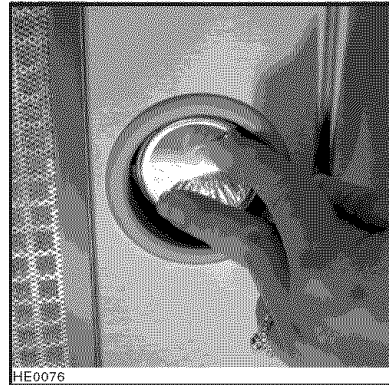
This hood must use 120 V, 50W, MR16 type, GU10 shielded halogen lamps (included).

Refer to page 12 for ordering information.

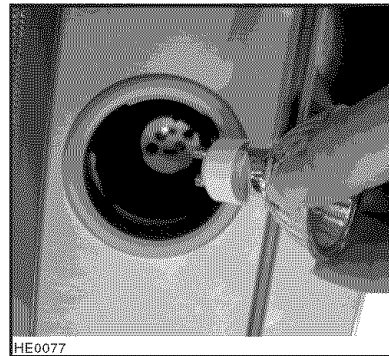


WARNING: In order to prevent the risk of personal injury, the halogen lamps must be cooled down before removing them.

1. To remove lamps, gently push upwards and turn counterclockwise to disengage bulb leads from their grooves.



2. Install the new lamps by placing the bulb leads into their grooves in the socket and gently push upwards and turn clockwise until secure.



Warranty

Safety

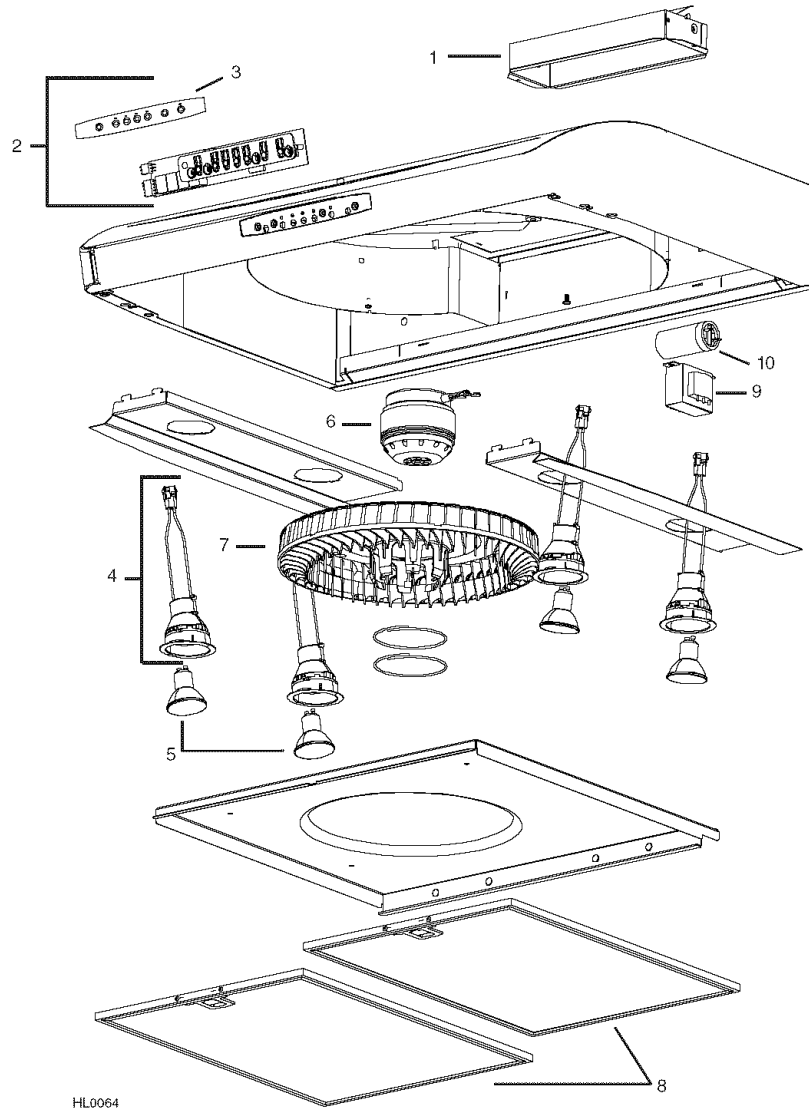
Operation

Cleaning

Installation

Service Parts

SERVICE PARTS



HL0064

KEY NO.	PART NO.	DESCRIPTION	30" WIDTH	36" WIDTH
1	V13296	Adapter/Damper	1	1
2	V16571	Electronic Control Module, Black (including Overlay item 3)	1	1
	V16572	Electronic Control Module, White (including Overlay item 3)	1	1
3	V07322	Overlay Black	1	1
	V07323	Overlay White	1	1
4	V16569	Lamp Shell, Socket & Trim Ass'y	4	4
5	V05921	Halogen Lamp (50W, 120V, PAR 16, GU-10)	4	4
6	V01766E	Motor (including Wheel item 7)	1	1
7	V06111	Wheel	1	1
8	V07332	Filters with latch, square pressed, 9.92" x 17.98" x 0.35"	2	-
	V07333	Filters with latch, square pressed, 12.92" x 17.98" x 0.35"	-	2
9	V07325	Transformer	1	1
10	V02160	Capacitor	1	1
*	V07048	Kenmore Elite Logo	1	1
*	V07326	Harness	1	1
*	V07328	Kenmore Elite Installation Manual	1	1
*	V06751	Installation Bag ((1) Wire Clamp LP16-AP, (2) Wire Connectors #74B, (5) #8 x 1/2" Screws, (3) #6 x 1/2" Screws)	1	1

Order replacement parts by PART NO. - not by KEY NO.

* Not illustrated.

Get it fixed, at your home or ours!

Warranty

Safety

Operation

Cleaning

Installation

Service Parts

Your Home

For repair – **in your home** – of **all** major brand appliances, lawn and garden equipment, or heating and cooling systems, **no matter who made it, no matter who sold it!**

For the replacement parts, accessories and owner's manuals that you need to do-it-yourself.

For Sears professional installation of home appliances and items like garage door openers and water heaters.

1-800-4-MY-HOME® (1-800-469-4663)

Call anytime, day or night (U.S.A. and Canada)

www.sears.com www.sears.ca

Our Home

For repair of carry-in items like vacuums, lawn equipment, and electronics, call or go on-line for the location of your nearest **Sears Parts & Repair Center.**

1-800-488-1222

Call anytime, day or night (U.S.A. only)

www.sears.com

To purchase a protection agreement on a product serviced by Sears:

1-800-827-6655 (U.S.A.)

1-800-361-6665 (Canada)

Para pedir servicio de reparación a domicilio, y para ordenar piezas:

1-888-SU-HOGARSM

(1-888-784-6427)

Au Canada pour service en français:

1-800-LE-FOYER^{MC}

(1-800-533-6937)

www.sears.ca

SEARS

® Registered Trademark / TM Trademark / SM Service Mark of Sears, Roebuck and Co.

® Marca Registrada / TM Marca de Fábrica / SM Marca de Servicio de Sears, Roebuck and Co.

^{MC} Marque de commerce / ^{MD} Marque déposée de Sears, Roebuck and Co.

© Sears, Roebuck and Co.



LEA Y CONSERVE ESTAS INSTRUCCIONES

ÍNDICE

SECCIÓN	PÁGINA
Garantía	14
Instrucciones de seguridad	14
Funcionamiento	15
Limpieza	15
Piezas incluidas en la campana	16
Piezas no incluidas en la campana	16
Herramientas necesarias para la instalación	16
Tabla de longitudes equivalentes de conducto	17
Instalación de los conductos	18
Preparación de la ubicación de la campana	18
Preparación de la campana	19
Instalación de la campana	22
Conexión del cableado	22
Finalización de la instalación	22
Cambio de bombillas	23
Piezas	24

GARANTÍA

Si, durante 1 año a partir de la fecha de la instalación, una pieza de esta campana no funcionara debidamente debido a un defecto de material o de mano de obra, Sears reparará la pieza o entregará e instalará una nueva, sin gastos.

GARANTÍA COMPLETA DE 30 DÍAS EN EL ACABADO EN LAS PIEZAS METÁLICAS PINTADAS O BRILLANTES

Si, durante 30 días a partir de la fecha de la instalación, el acabado de cualquier pieza metálica pintada o brillante de esta campana mostrara un defecto de material o de mano de obra, Sears entregará e instalará una pieza nueva, sin gastos.

EL SERVICIO DE GARANTÍA SÓLO PUEDE SOLICITARSE COMUNICANDO CON EL CENTRO DE SERVICIO O DEPARTAMENTO DE SEARS MÁS PRÓXIMO EN ESTADOS UNIDOS.

Esta garantía sólo se aplica cuando el producto se utilice en Estados Unidos. Esta garantía le otorga derechos jurídicos específicos independientes de los que pueda tener según el estado en el que resida.

Sears, Roebuck and Co., Dept. 817WA, Hoffman Estates, IL 60179

INSTRUCCIONES DE SEGURIDAD

ADVERTENCIA ⚠️ ⚠️

PARA REDUCIR EL RIESGO DE INCENDIO, DESCARGA ELÉCTRICA, O LESIÓN CORPORAL, RESPETE LAS SIGUIENTES INDICACIONES:

1. Utilice este aparato únicamente de la forma en que indica el fabricante. Si tiene cualquier pregunta, póngase en contacto con el fabricante en la dirección aparece en la garantía.
2. Antes de reparar o limpiar el aparato, apágelo en el tablero de servicio y bloquee los medios de desconexión para impedir que la corriente se conecte accidentalmente. Cuando no se pueda bloquear los medios de desconexión, coloque un dispositivo de advertencia visible (como una etiqueta) en el tablero de servicio.
3. La instalación y la conexión eléctrica deben ser realizadas por personal competente de acuerdo con todos los códigos y normas aplicables, incluso los relativos a la construcción ignífuga.
4. Para lograr una combustión adecuada y una extracción correcta de los gases a través de la salida del humno (chimenea) del equipo quemador de combustible - evitando así el contratiro - es necesario disponer de aire suficiente. Siga las directrices del fabricante del equipo de material térmico y las normas de seguridad, como las que publica la NFPA (asociación de protección contra los incendios), y la ASHRAE (sociedad estadounidense de técnicos de calefacción, refrigeración y aire acondicionado), así como los códigos de los organismos responsables locales.
5. Al cortar o perforar la pared o el techo, procure no dañar el cableado eléctrico ni otras instalaciones de servicios públicos.
6. No utilice este aparato con un dispositivo de control de velocidad con semiconductores.
7. Los ventiladores entubados deben salida siempre al exterior.
8. Para reducir el riesgo de incendio, use sólo tuberías de metal.
9. Este aparato debe conectarse a tierra.

PARA REDUCIR EL RIESGO DE QUE ARDA LA GRASA EN LA PARTE SUPERIOR DE LA COCINA:

1. No deje nunca recipientes de cocina a fuego vivo sin vigilancia. Los desbordamientos producen humo y derrames grasiosos que pueden inflamarse. Caliente el aceite despacio, a fuego lento o mediano.
2. Ponga en marcha siempre la campana extractora al cocinar a temperaturas elevadas o al cocinar alimentos flameados.
3. Limpie los ventiladores con frecuencia. No deje que la grasa se acumule en el ventilador ni en el filtro.
4. Utilice cacerolas de tamaño apropiado. Emplee siempre un recipiente adecuado para el tamaño de la placa.

ADVERTENCIA ⚠️ ⚠️

PARA REDUCIR EL RIESGO DE LESIONES CORPORALES EN EL CASO DE QUE ARDA LA GRASA EN LA PARTE SUPERIOR DE LA COCINA, SIGA ESTAS INDICACIONES:*

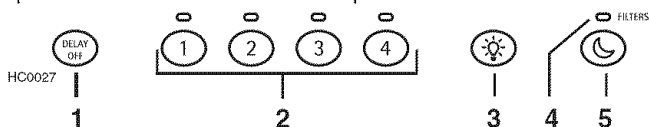
1. SOFOQUE LAS LLAMAS con una tapa ajustada, una hoja o bandeja metálica para hornear galletas, y apague luego el quemador. TENGA CUIDADO PARA EVITAR QUEMADURAS. SI LAS LLAMAS NO SE APAGAN INMEDIATAMENTE, EVACUE EL LUGAR Y LLAME A LOS BOMBEROS.
 2. NO SUJETE NUNCA UN RECIPIENTE EN LLAMAS ya que podría quemarse.
 3. NO USE AGUA, ni trapos o toallas húmedos. Podría causar una violenta explosión de vapor.
 4. Utilice un extintor SOLAMENTE si:
 - A. Tiene un extintor de tipo ABC y sabe usarlo.
 - B. El incendio es pequeño y está circunscrito a la zona donde empezó.
 - C. Ya ha llamado a los bomberos.
 - D. Puedo tratar de apagar el fuego si dispone siempre de una salida detrás de usted.
- * Fuente: "Fitchen Fire Safety Tips" publicado por la NFPA.

PRECAUCIÓN ⚠️

1. Sólo para ventilación general. No debe utilizarse para extraer materiales o vapores peligrosos o explosivos.
2. Para evitar daños en el cojinete del motor y que la hélice haga ruido o se desequilibre, mantenga la unidad de alimentación lejos de los vaporizadores de pirca, del polvo de la construcción, etc.
3. El motor de la campana tiene un dispositivo contra sobrecargas térmicas que apaga el motor automáticamente si éste se sobrecalienta. El motor volverá a ponerse en marcha cuando se enfríe. Si el motor sigue apagándose y encendiéndose, haga examinar la campana.
4. Para que la campana capte mejor las impurezas que se desprenden al cocinar, la base de la campana ha de estar a una distancia mínima de 24 pulgadas, y a una máxima de 30 pulgadas con respecto a la superficie sobre la que se cocina.
5. Para reducir los riesgos de incendio y extraer el aire debidamente, el aire debe evacuarse fuera. No extraiga el aire a espacios situados entre las paredes, en el techo o en el desván, falso techo o garaje.
6. Este producto está equipado con un termostato que puede poner en marcha el ventilador automáticamente. Para reducir el riesgo de que se produzcan daños y evitar poner en marcha la alimentación accidentalmente, apague la corriente en el tablero de servicio, bloquee este tablero o ponga una etiqueta de advertencia.
7. Dada la gran capacidad extractora de esta campana, debería asegurarse de que en la casa entra suficiente aire para sustituir el aire extraído. Abra para ello una ventana en la cocina o cerca de ella.
8. Utilice sólo con un conjunto autorizado de conexión con cordón.
9. Para mayor información y conocer los requisitos, lea la etiqueta con las especificaciones en el producto.

FUNCIONAMIENTO

Ponga en marcha siempre la campana antes de empezar a cocinar para generar una corriente de aire en la cocina. Deje en marcha el ventilador durante unos minutos para renovar el aire una vez que haya apagado la cocina. Esto ayudará a que toda la cocina esté más limpia brillante.



1. Interruptor de parada diferida del ventilador
2. Interruptores de encendido, apagado y velocidades del ventilador
3. Interruptor de las luces halógenas
4. Indicador de mantenimiento de los filtros
5. Interruptor de luz nocturna

Interruptor de parada diferida del ventilador

Cuando seleccione una velocidad, pulse este interruptor para activar la función de parada diferida. El diodo indicador de velocidad correspondiente empezará a parpadear para indicar que esta función está activada. El ventilador seguirá funcionando durante 5 minutos y se detendrá automáticamente. Para cancelar la función de parada diferida, pulse de nuevo el interruptor de parada diferida y el ventilador funcionará en modo normal.

NOTA: La velocidad del ventilador puede aumentarse o disminuirse en el modo retardo sin iniciar otro ciclo de 5 minutos.

Interruptores de encendido, apagado y velocidades del ventilador

Presione el interruptor correspondiente a la velocidad del ventilador deseada. La luz situada sobre el interruptor indica la velocidad seleccionada (entre 1, para baja velocidad, y 4, para alta velocidad). Para apagar el ventilador, presione de nuevo el interruptor de velocidad correspondiente.

Termostato HEAT SENTRY

La campana viene equipada con un termostato HEAT SENTRY. Se trata de un dispositivo que pone en marcha o acelera el ventilador cuando detecta un calor excesivo sobre la superficie sobre la que se cocina. El indicador luminoso situado sobre el interruptor de velocidad 3 parpadeará rápidamente.

- 1) Si el ventilador está APAGADO - el termostato lo pondrá en marcha en la velocidad 3.
- 2) Si el ventilador está ENCENDIDO en una velocidad inferior (o superior), el termostato lo pondrá en la velocidad 3.

Cuando la temperatura baje a un nivel normal, el ventilador volverá a su posición original y el indicador luminoso situado sobre el interruptor de velocidad 3 dejará de parpadear.



ADVERTENCIA: El termostato HEAT SENTRY puede poner en marcha el ventilador aunque la campana esté apagada. Cuando esto ocurra, si desea detener el ventilador, presione en el interruptor de velocidad 3 hasta que el indicador luminoso deje de parpadear.

Interruptor de luces halógenas

Este interruptor ofrece 3 niveles de luz diferentes, según sus necesidades. La intensidad de la luz se incrementa de nivel en nivel (p. ej., apriete una vez para obtener una luz de baja intensidad, una vez más para tener más luz y así hasta tres veces). Una vez en la mayor de las intensidades, si se presiona una vez más el interruptor, la luz se apaga.

Utilice bombillas halógenas protegidas MR 16 de 120 voltios, 50 W, con base GU10 or PAR 16 con base GU10 (incluidas).



ADVERTENCIA: Para prevenir el riesgo de lesiones corporales, no instale bombillas previstas sólo para uso en dispositivo encerrados.

FUNCIONAMIENTO

Indicador de mantenimiento de los filtros

Tras 24 horas de funcionamiento, el indicador luminoso de mantenimiento de los filtros empezará a parpadear. Esto indica que hay que limpiar los filtros para que la campana funcione de manera eficaz. El indicador luminoso parpadeará hasta que se reinicie la función presionando en el interruptor de luz nocturna durante 3 segundos.

Interruptor de luz nocturna

Presione una vez este interruptor para encender la luz nocturna. Presione una vez más para apagarla.

LIMPIEZA

Filtros de grasa

Los filtros de grasa y el tablero inferior deben limpiarse con frecuencia. Utilice una disolución de detergente con agua templada. Los filtros se pueden lavar en el lavavajillas.

Lávelos con mayor frecuencia si su tipo de cocina genera más grasa (alimentos fritos o cocina con wok).

Retire los filtros jalando las pestañas de los pestillos y girando los filtros hacia abajo.

Limpieza de la campana

Limpieza del acero inoxidable: Para que la campana siga teniendo un "ASPECTO BRILLANTE"

Debe hacerse:

- Limpiar regularmente las superficies con un trapo limpio humedecido con una mezcla de agua templada y de jabón suave o detergente para la vajilla.
- Limpiar siempre en la dirección de las líneas originales de pulido del acero.
- Enjuagar siempre con agua limpia (2 a 3 veces) después de limpiar. Seque completamente.
- También puede utilizar un limpiador doméstico especial para acero inoxidable.

No debe hacerse:

- Utilizar un estropajo de acero o de acero inoxidable u otro tipo de rasquetas para quitar la suciedad resistente.
- Utilizar limpiadores fuertes o abrasivos.
- Dejar que la suciedad se acumule.
- Dejar que el polvo del mortero u otros residuos de la construcción manchen la campana. Si efectúa obras de construcción o renovación, cubra la campana para que no se manche la superficie de acero inoxidable.

Al escoger un detergente, evite:

- Los limpiadores que contienen **blanquador (lejía)**, ya que dañaran el acero inoxidable.
- Los productos que contengan **cloruro, fluoruro, yoduro y bromuro**, ya que deterioran las superficies rápidamente.
- Los productos combustibles que se emplean para la limpieza, como **acetona, alcohol, éter, bencol**, etc..., ya que son altamente explosivos y nunca deberían estar cerca de una cocina.

Acabado esmaltado:

Limpie únicamente con agua templada y un detergente suave. Si la superficie se decolora, emplee una buena cera para esmaltes, como la cera para automóviles. (NO emplee limpiadores abrasivos fuertes ni limpiadores para porcelana).

Garantía

Seguridad

Operación

Limpieza

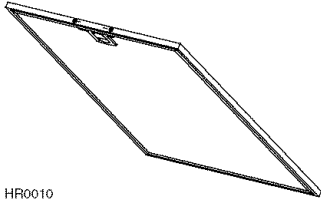
Instalación

Piezas de servicio

PIEZAS INCLUIDAS EN LA CAMPANA

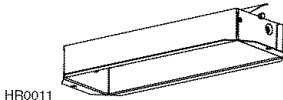


Bombillas halógenas protegidas MR 16 de 120 voltios, 50W, con base GU10 o PAR 16 con base GU10 (4 por campana)
N.º de pieza de Sears V05921



HR0010

Filtro de grasa
(2 por campana)



HR0011

Adaptador, dispositivo de cierre
3¼ pulg. x 10 pulg.



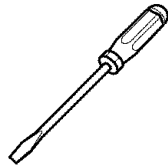
Bolsa de piezas
(1) abrazadera de hilo LP16-AP,
(2) Conectores de hilo n.º 74B,
(5) tornillos n.º 8 de ½ pulg. y
(3) tornillos n.º 6 de ½ pulg.)

PIEZAS NO INCLUIDAS EN LA CAMPANA

Accesorios para conductos

(consúltese la sección "Tabla de longitudes equivalentes de conducto" en la página 17 para ver los números de los modelos de los accesorios para conductos.)

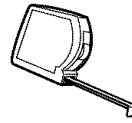
HERRAMIENTAS NECESARIAS PARA LA INSTALACIÓN



Detornillador
(Robertson o Phillips)



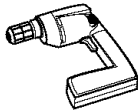
Lápiz



Cinta métrica



Desforrador de hilos



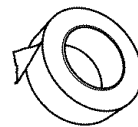
Taladro



Sierra de pañal



Serrecho de calar



Cinta para conductos

TABLA DE LONGITUDES EQUIVALENTES DE CONDUCTO

Las campanas de Kenmore han sido diseñadas para funcionar eficazmente cuando están conectadas con conductos largos. A modo de referencia, esta campana funcionará al 80% aproximadamente de su rendimiento evaluado cuando está conectada con el equivalente de 100 pies de conducto de 7 pulgadas de diámetro. Utilice esta tabla para calcular la longitud equivalente de conducto de su sistema.

	Broan modelo 401 Conducto recto 3 1/4 pulg. x 10 pulg. x 2 pies de largo Longitud equivalente 2 pies
	Broan modelo 406 Conducto recto 6 pulg. de diámetro x 2 pies de largo Longitud equivalente 2 pies
	Broan modelo 407 Conducto recto 7 pulg. de diámetro x 2 pies de largo Longitud equivalente 2 pies
	Broan modelo 419 Codo redondo de 6 pulg. Longitud equivalente 8 pies
	Broan modelo 415 Codo redondo de 7 pulg. Longitud equivalente 10 pies
	Sears modelo 59581 Cambio de sección redondo 3 1/4 pulg. x 10 pulg. a 6 pulg. Longitud equivalente 5,5 pies
	Broan modelo 412H Cambio de sección redondo 3 1/4 pulg. x 10 pulg. a 7 pulg. Longitud equivalente 5,5 pies

	Broan modelo 428 3 1/4 pulg. x 10 pulg. Codo en ángulo recto Longitud equivalente 8,5 pies
	Broan modelo 429 3 1/4 pulg. x 10 pulg. Codo en ángulo recto plato Longitud equivalente 24 pies
	Broan modelo 430 3 1/4 pulg. x 10 pulg. Codo cerrado de alero en ángulo recto Longitud equivalente 15 pies
	Broan modelo 431 3 1/4 pulg. x 10 pulg. Codo de gran radio de alero en ángulo recto Longitud equivalente 15 pies

	Sears modelo 59691 Capuchón mural redondo de 6 pulg. Longitud equivalente 34 pies (6 pies sin dispositivo de cierre)
	Broan modelo 647 Capuchón mural redondo de 7 pulg. Longitud equivalente 34 pies (6 pies sin dispositivo de cierre)
	Sears modelo 59391 Capuchón mural de 3 1/4 pulg. x 10 pulg. Longitud equivalente 45 pies (7 pies sin dispositivo de cierre)
	Sears modelo 59091 Capuchón para tejado (acepta conductos redondos de 7 pulg. o de 3 1/4 pulg. x 10 pulg.) 30 pies (7 pies sin dispositivo de cierre)

LOS NÚMEROS DE PIEZAS DE SEARS los podrá conseguir en la tienda Sears más cercana, en línea en Sears.com o en el catálogo de piezas de Sears telefonando al 1-800-366-7278. Para los modelos de Broan, telefóne al 1-800-558-1711.

Garantía

Seguridad

Operación

Limpieza

Instalación

Piezas de servicio

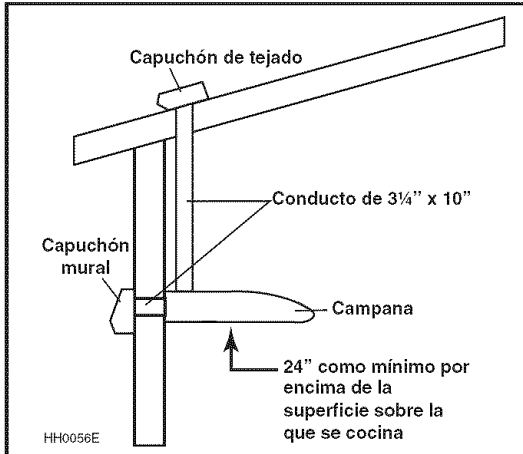
INSTALACIÓN DE LOS CONDUCTOS

1. Planifique el lugar y la forma en que se instalarán los conductos.

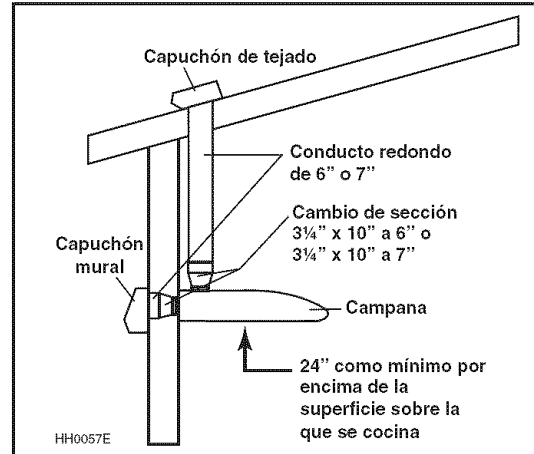
Instale conductos, cambio de sección, codos y capuchones de tejado o murales de tamaños adecuados. Para lograr mejores resultados, utilice la mayor cantidad posible de cambios de sección y codos. Utilice cinta para tubos de 2 pulgadas para obturar las juntas de los tubos.

La distancia mínima entre la campana y la superficie sobre la que se cocina no debe ser inferior a 24 pulgadas. Para que la campana capte mejor las impurezas que se desprenden al cocinar, se aconseja una distancia máxima de 30 pulgadas entre la campana y la superficie sobre la que se cocina.

Las distancias superiores a 30 pulgadas quedan a discreción del instalador o de los usuarios.



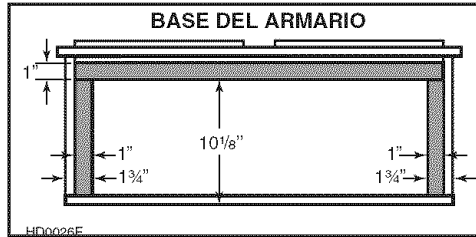
INSTALACIÓN CON CONDUCTOS RECTANGULARES



INSTALACIÓN CON CONDUCTOS REDONDOS

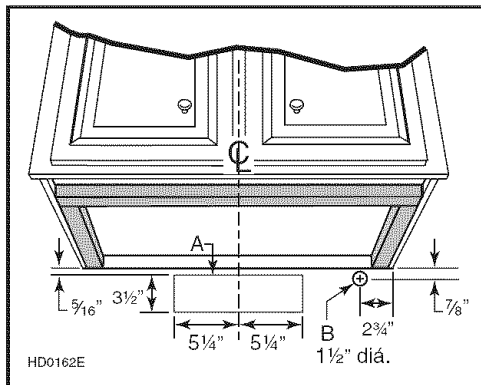
PREPARACIÓN DE LA UBICACIÓN DE LA CAMPANA

1. Si la parte inferior del armario está empotrada, instale tres tiras de madera de 1 pulgada de ancho, (no incluidas), como se ve en las ilustraciones, para poder sujetar debidamente la campana al armario. Las tiras de madera deben ser del mismo grosor del encastre.

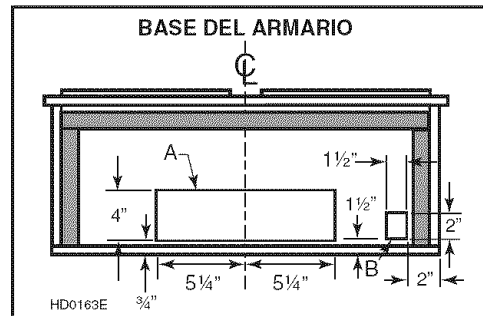


2. Corte en el armario o en la pared las aperturas para el conducto (A) y para el cable de alimentación (B), con arreglo a la dirección de la descarga elegida. Vea las siguientes ilustraciones.

DESCARGA HORIZONTAL



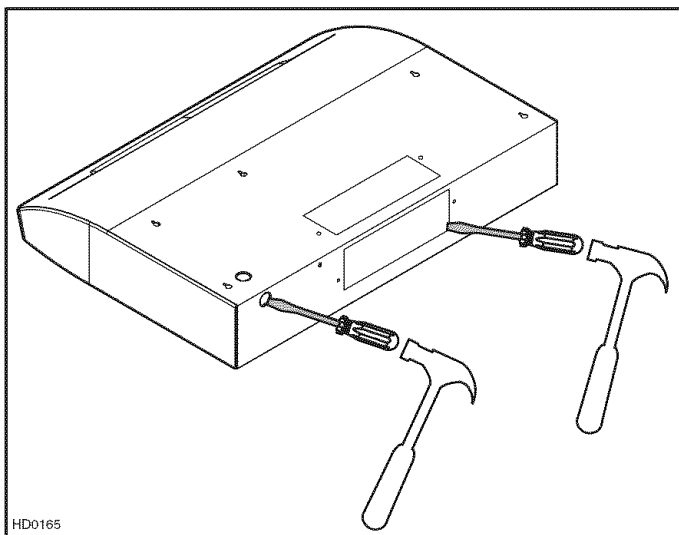
DESCARGA VERTICAL



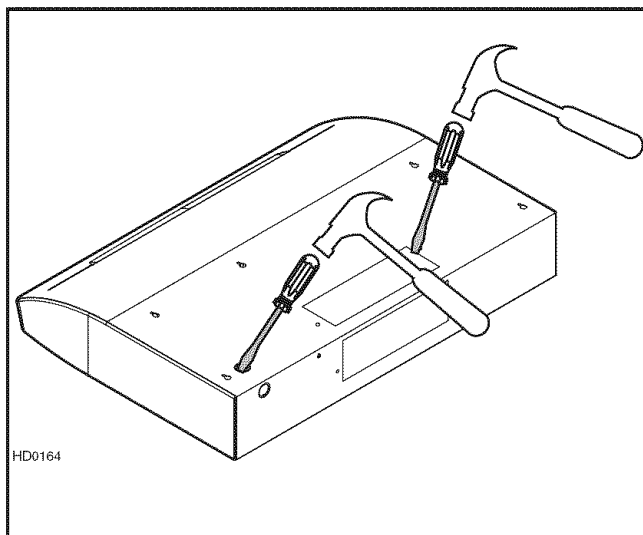
PREPARACIÓN DE LA CAMPANA

1. Perfore la pieza desmontable para la abertura elegida (horizontal en la parte trasera o vertical en la parte superior de la campana) y para la conexión eléctrica.

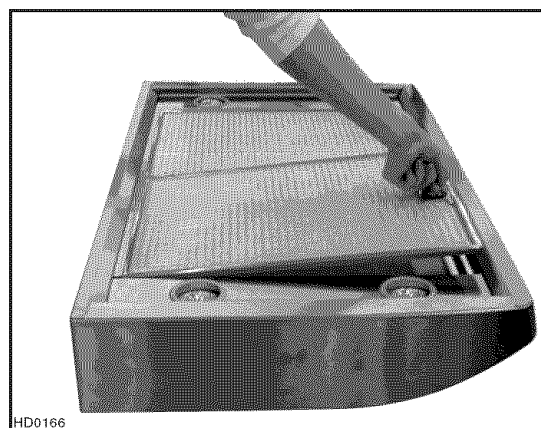
DESCARGA HORIZONTAL



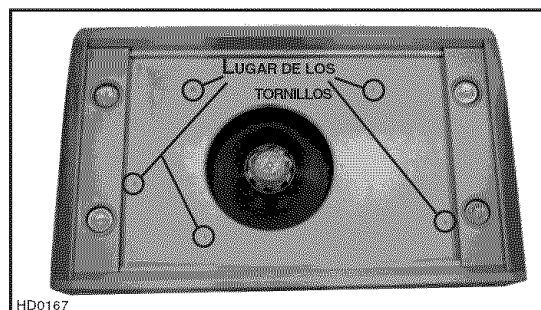
DESCARGA VERTICAL



2. Jale las pestañas y retire los dos filtros de la campana.



3. Retire los 5 tornillos que sujetan el tablero inferior a la campana y póngalos a un lado. Saque el tablero inferior por la parte delantera.



Garantía

Seguridad

Operación

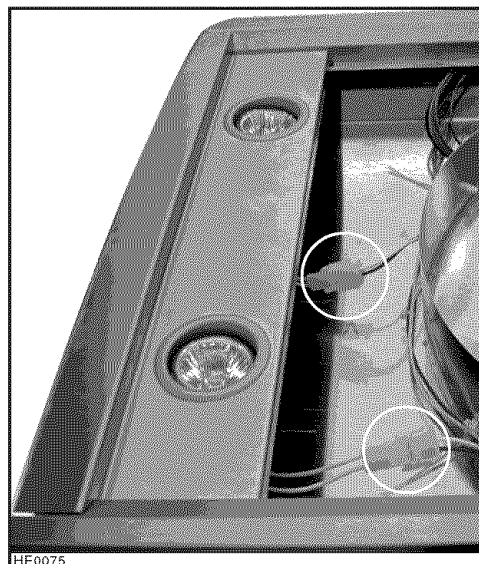
Limpieza

Instalación

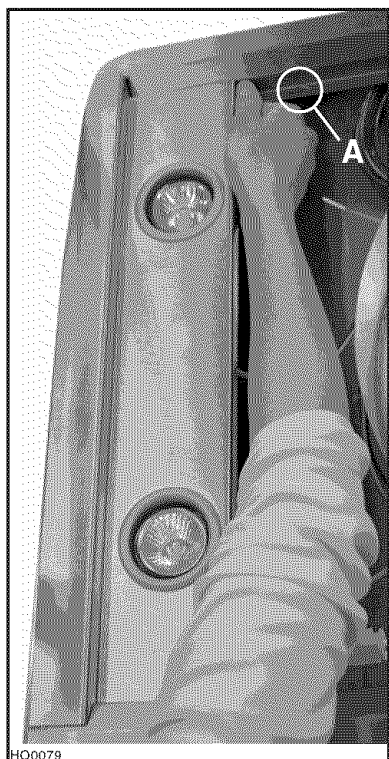
Piezas de servicio

PREPARACIÓN DE LA CAMPANA

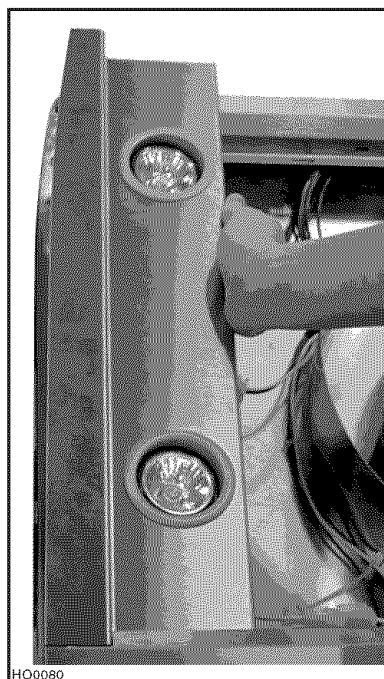
4. Desenchufe ambos conectores de las luces instaladas en los tableros laterales. Véase la foto de al lado.



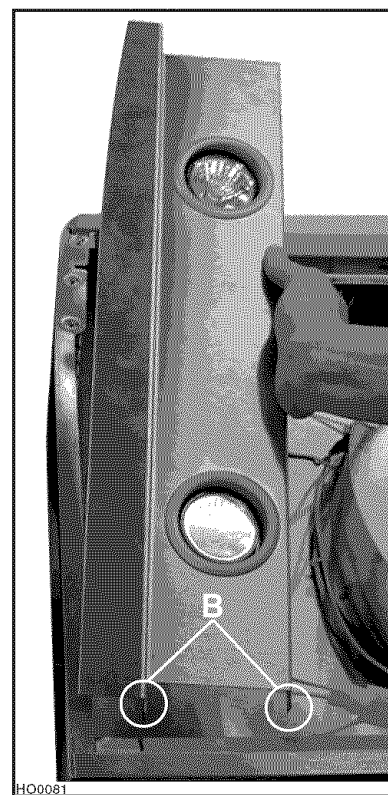
5. Retire el tablero lateral sujetándolo cerca de la parte delantera de la campana y deslizándolo en la misma dirección que la pequeña flecha (A) para desasirlo. Véase la foto de abajo.



6. Levante la parte delantera del tablero lateral. Véase la foto de abajo.



7. Saque las pestañas (B) del tablero lateral de la campana y retire el tablero. Véase la foto de abajo.

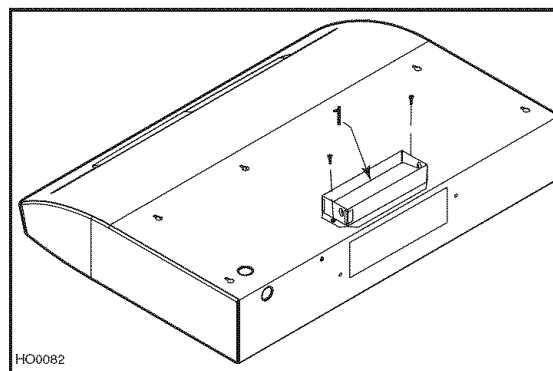


PREPARACIÓN DE LA CAMPANA

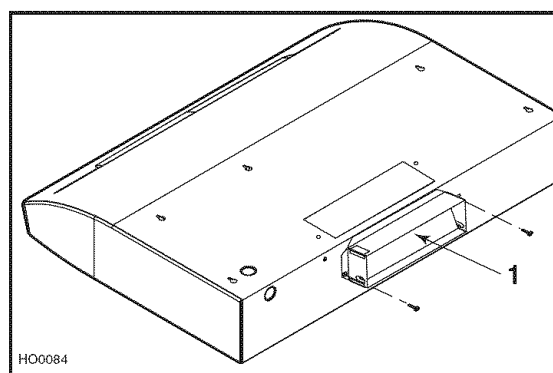
8. Utilice (2) **tornillos n.º 6 de ½ pulg.** para instalar el **adaptador/ dispositivo de cierre** en la campana.

NOTA: La caja del dispositivo de cierre (1) pivota hacia la parte delantera de la campana para la descarga vertical; para la descarga horizontal pivota hacia la parte superior de la campana.

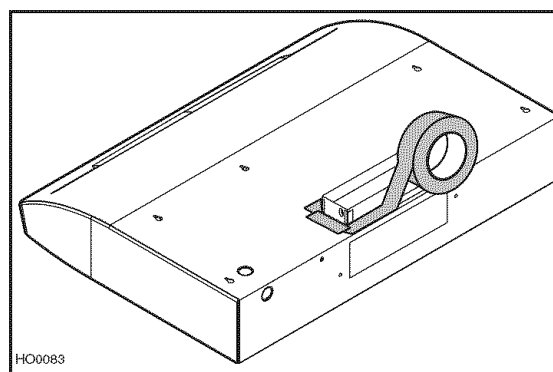
Descarga vertical



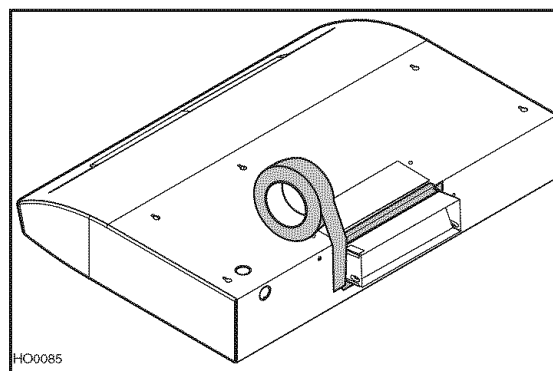
Descarga horizontal



Descarga vertical



Descarga horizontal



9. Sujete con cinta para conductos el adaptador/dispositivo de cierre a la campana.

Garantía

Seguridad

Operación

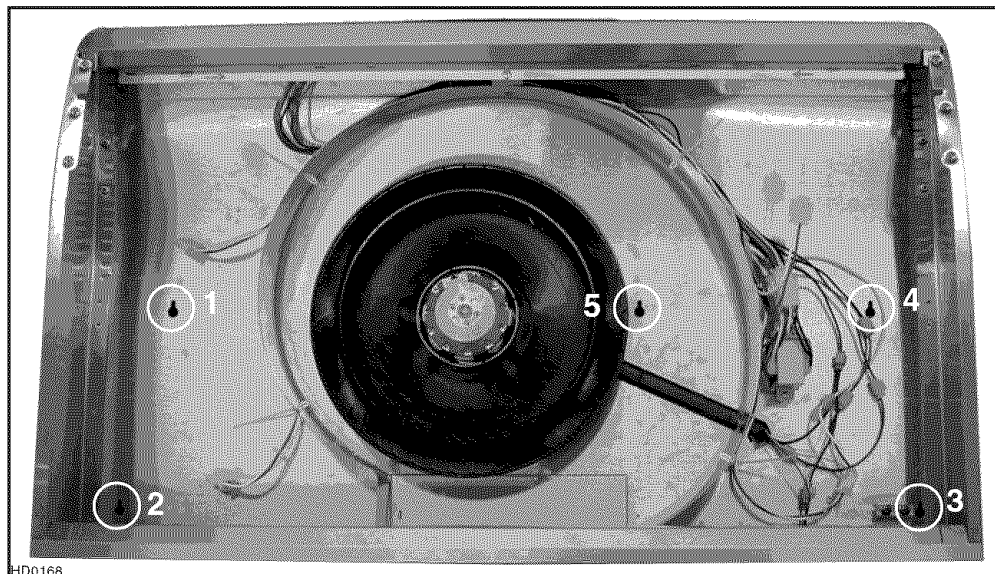
Limpieza

Instalación

Piezas de servicio

INSTALACIÓN DE LA CAMPANA

1. Lleve el cable de alimentación hasta el lugar de la instalación. Coloque la campana en el lugar previsto. Marque con un lápiz el lugar de los tornillos (parte más pequeña del orificio; véase la foto de abajo para la ubicación de los 5 orificios). Saque la campana e instale (4) **tornillos n.º 8 de 1/2"** dejando un espacio de 1/8". No instale todavía el quinto tornillo.



2. Coloque la abrazadera de hilo, introduzca el cable en la campana y apriete la abrazadera para sujetar el cable. Coloque la campana en su lugar correspondiente debajo del armario. Compruebe que el conjunto del adaptador y dispositivo de cierre se introduce en la abertura para el conducto. Apriete bien los (4) tornillos y añada el quinto tornillo en el orificio central. Compruebe que la caja del dispositivo se abre sin dificultad.

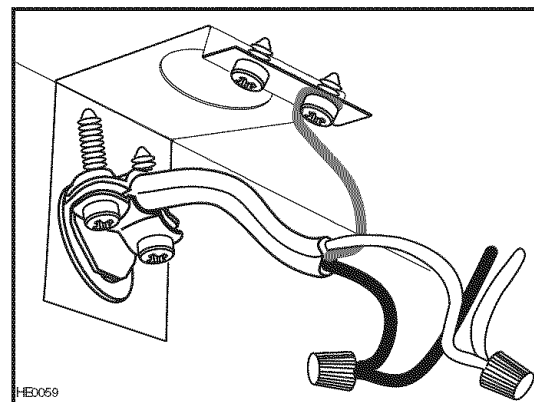
CONEXIÓN DEL CABLEADO



ADVERTENCIA: Riesgo de choque eléctrico. La conexión eléctrica debe hacerla personal competente con arreglo a los códigos y normas en vigor. Antes de conectar los hilos, corte la alimentación en el tablero de servicio y bloquee los medios de desconexión para impedir que la corriente se conecte accidentalmente.

1. Conecte el cable con los **conectores de hilos** provistos. Conecte el hilo NEGRO con el NEGRO, el BLANCO con el BLANCO y el VERDE o desnudo con el tornillo de tierra VERDE.

NO OLVIDE CONECTAR LA TOMA A TIERRA.
Véase la ilustración de la lado.



FINALIZACIÓN DE LA INSTALACIÓN

1. Vuelva a instalar los dos tableros laterales. **NO OLVIDE ENCHUFAR LOS CONECTADORES DE LAS LUCES!**
2. Vuelva a instalar el tablero inferior utilizando para ello los 5 tornillos de la tercera etapa de la sección "Preparación de la campana".



PRECAUCIÓN: Retire la película protectora de plástico que cubre los filtros antes de instalar éstos.

3. Vuelva a instalar los filtros.

CAMBIO DE BOMBILLAS



ADVERTANCIA: Para prevenir el riesgo de lesiones corporales, no instale bombillas identificadas sólo para uso en dispositivos encerrados.

Esta campana debe utilizar bombillas halógenas protegidas GU10 de tipo MR16, de 120 V y 50 W (incluidas).

Para pedidos, consulte la página 24.

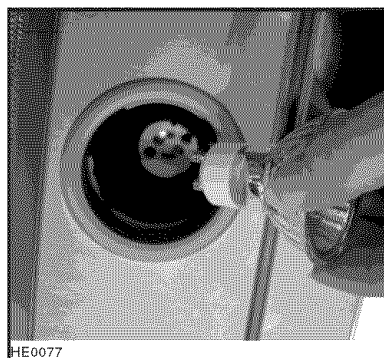


ADVERTANCIA: Para prevenir el riesgo de lesiones corporales, deje que las bombillas halógenas se enfrien antes de quitarlas.

1. Para quitar las bombillas, empuje suavemente hacia arriba y gire en sentido antihorario para liberar el casquillo de sus ranuras.



2. Instale las bombillas nuevas colocando los casquillos de las bombillas en sus ranuras, en los portalámparas, empuje suavemente hacia arriba y gire al mismo en el sentido horario hasta que queden bien afianzadas.



Garantía

Seguridad

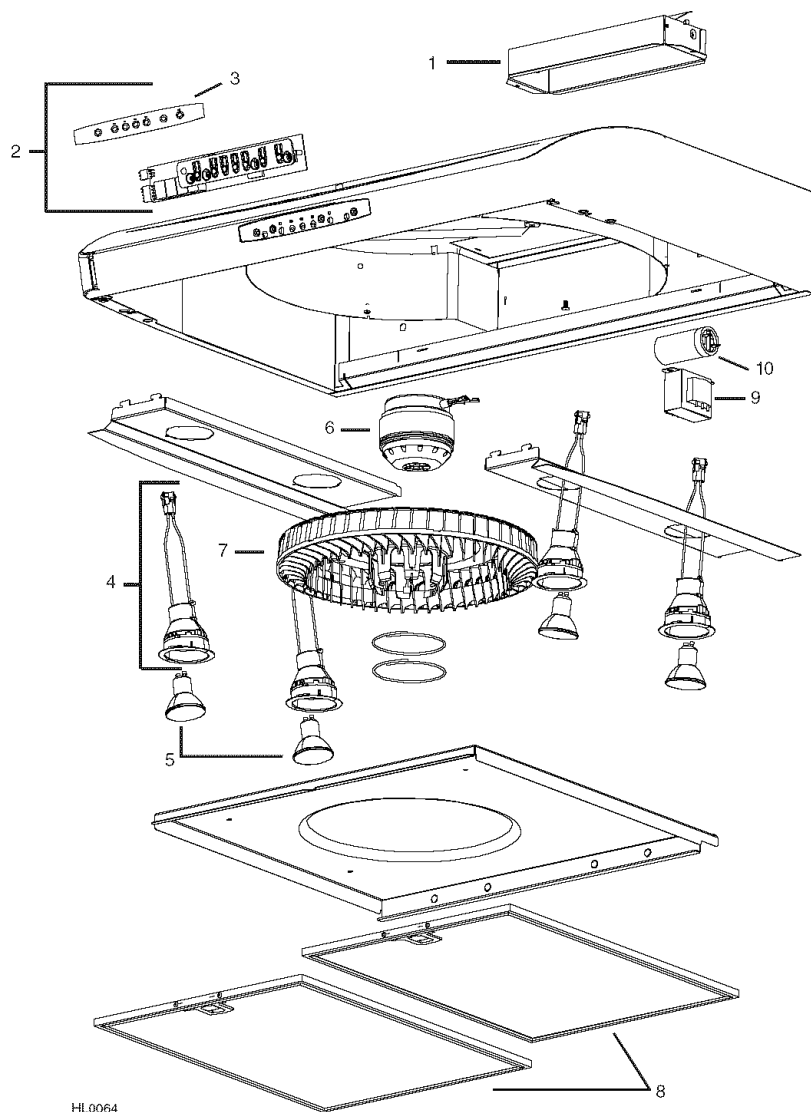
Operación

Limpieza

Instalación

Piezas de servicio

PIEZAS



HL0064

N.º	N.º DE PIEZA	DESCRIPCIÓN	30" DE ANCHO	36" DE ANCHO
1	V13296	Adaptador, dispositivo de cierre	1	1
2	V16571	Módulo de control electrónico, negro (incluye superposición n.º 3)	1	1
	V16572	Módulo de control electrónico, blanco (incluye superposición n.º 3)	1	1
3	V07322	Superposición negra	1	1
	V07323	Superposición blanca	1	1
4	V16569	Conjunto de la lámpara	4	4
5	V05921	Bombilla halógena (50W, 120V, PAR 16, GU-10)	4	4
6	V01766E	Motor (incluye la rueda n.º 7)	1	1
7	V06111	Rueda	1	1
8	V07332	Filtros con pestaña, 9,92" x 17,98" x 0,35"	2	-
	V07333	Filtros con pestaña, 12,92" x 17,98" x 0,35"	-	2
9	V07325	Transformador	1	1
10	V02160	Condensador	1	1
*	V07048	Logotipo Kenmore Elite	1	1
*	V07326	Cableado	1	1
*	V07328	manual de instalación de Kenmore Elite	1	1
*	V06751	Bolas con piezas para la instalación (1 abrazadera de hilo LP16-AP, 2 conectadores de hilo n.º 74B, 5 tornillos n.º 8 de ½ pulgada y 3 tornillos n.º 6 de ½ pulgada)	1	1

Pida las piezas de repuesto mencionando el número de pieza, no el número de referencia.

* Este componente no se muestra.



7 72371 09025 5