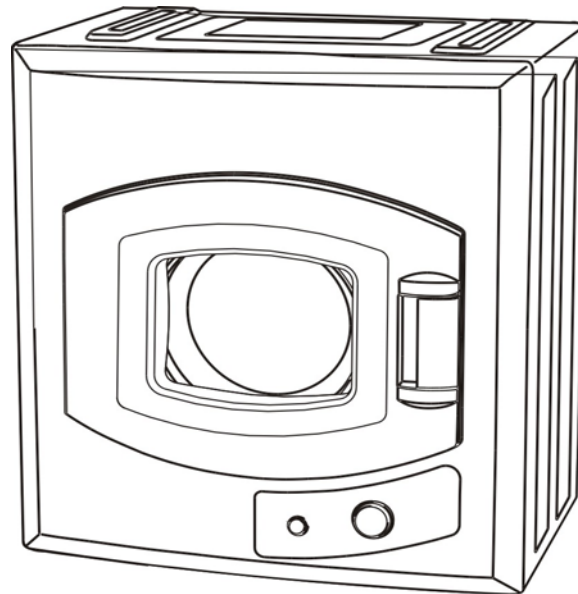


SUMMIT

COMPACT ELECTRIC DRYER

Model SPD1205



Use & Care Guide

*Before using this machine, please read and follow
all safety rules and operating instructions.*

Felix Storch, Inc.
Summit Appliance Division
770 Garrison Avenue
Bronx, New York 10474
www.summitappliance.com

INTRODUCTION

Congratulations on your purchase of Summit's SPD1205 Compact Electric Dryer. You will find it lives up to the high standards set by Summit for all of its products.

To get the most out of your dryer, please read this *Use & Care Guide* carefully. It will help you to operate and care for this appliance properly and safely. Keep it in a handy place. Also, keep proof of the date of original purchase (such as your sales receipt) with this *Guide* to establish the warranty period.

Write down the model and serial numbers, which you'll find on a plate attached to the back of the appliance. Place these numbers here:

Date of Purchase: _____

Model Number: _____

Serial Number: _____

Use these numbers in any correspondence or service calls regarding your appliance.

If you received a damaged appliance, immediately contact the dealer who sold you the appliance.

Save time and money. Before calling for service, check the *Troubleshooting Guide* at the back of this manual. It lists causes of minor operating problems that you can correct yourself.

If you find you still need help with the appliance, call Summit's toll-free Customer Service Number:

1-800-932-4267

TABLE OF CONTENTS

Introduction	1
Important Safety Instructions	3
Location of Parts	4
Installation Instructions	5 - 7
<i>Before Using Your Appliance</i>	5
<i>Selecting a Location</i>	5
<i>Wall-Mounting Instructions</i>	6
<i>Connecting the Exhaust Duct</i>	7
<i>Adjusting the Leveling Legs</i>	7
<i>Electrical Connection</i>	7
Operating Instructions	8 - 11
<i>Control Panel</i>	8
<i>Timer Selector Knob</i>	8
<i>Drying Time Reference Chart</i>	9
<i>Sorting Fabrics</i>	9
<i>When <u>Not</u> to Use the Dryer</i>	9
<i>Drying Time</i>	9
<i>Shrinkage</i>	10
<i>Dryer-Added Fabric Softeners</i>	10
<i>Single Items</i>	10
<i>If the Wash Is Not Dry</i>	10
<i>Avoid Over-Drying</i>	10
<i>Fabric Care Chart</i>	11
Care and Maintenance	12
<i>Cleaning the Exterior</i>	
<i>Cleaning the Filters</i>	
Troubleshooting	13
Limited Warranty	15

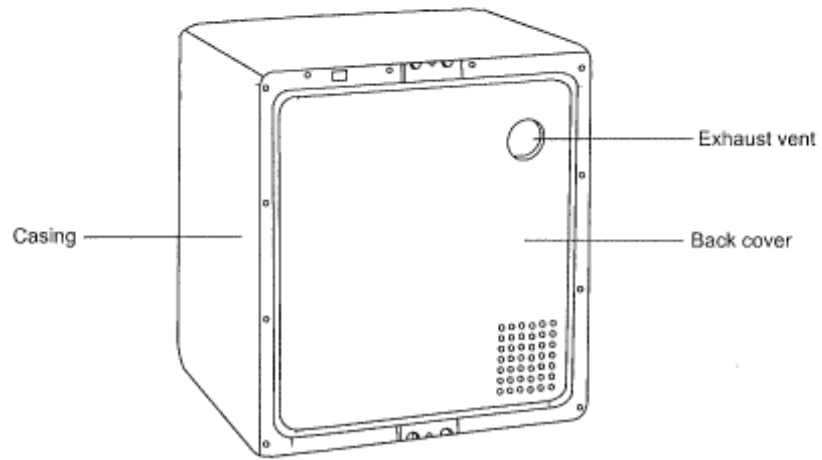
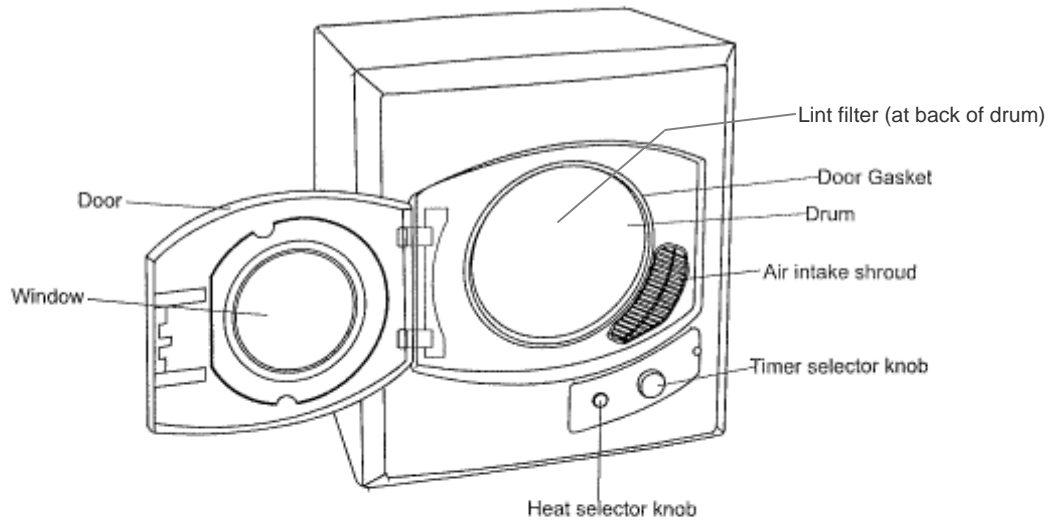
IMPORTANT SAFETY INSTRUCTIONS

Warning: To reduce the risk of fire, electrical shock or injury when using your appliance, follow these basic precautions:

- Read all instructions before using the appliance.
- **DANGER:** *Risk of child entrapment!*
Child entrapment and suffocation are not problems of the past. Junked or abandoned appliances are still dangerous, even if they will "just sit in the garage for a few days".
 - Before you throw away your old appliance, take off the door so that children may not easily climb inside.
 - Never allow children to operate, play with, or crawl inside the appliance.
- Never clean appliance parts with flammable fluids. The fumes can create a fire hazard or explosion.
- Do not place the dryer in steamy rooms or where the dryer is directly exposed to rain. Moisture may destroy the electrical insulation causing an electrical shock hazard.
- Do not reach into the appliance if the drum is moving.
- Do not store gasoline or any other flammable vapors or liquids in the vicinity of this or any other appliance. The fumes can create a fire hazard or explosion.
- Clean the lint screen before and after each load.

SAVE THESE INSTRUCTIONS

LOCATION OF PARTS



INSTALLATION INSTRUCTIONS

Before Using Your Appliance

1. Remove the exterior and interior packing.
2. Check to be sure you have all of the following parts:
 - 4 leveling legs
 - 2 wall-hanging brackets
 - 2 wall-hanging hooks
 - 2 plastic spacers
 - 1 exhaust fitting
 - 9 screws
 - 1 *Use & Care Guide*
3. Allow at least 5 inches of space on all sides of the appliance.
4. Before drying, check all pockets. If nails or pins remain in pockets, they may damage the dryer or clothes.
5. Put your laundry into the dryer evenly. Uneven laundry may cause noise or vibration.
6. Never splash water on the control panel.
7. Plug the dryer into an exclusive, properly-installed grounded wall outlet. Do not under any circumstances cut or remove the third (ground) prong from the power cord. Any questions concerning power and/or grounding should be directed toward a certified electrician or authorized Summit service center.
8. Make sure the dryer does not stand on its power cord.

Selecting a Location

Before you install the dryer, select a location keeping these considerations in mind.

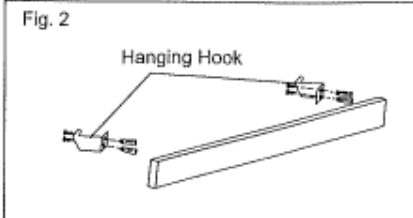
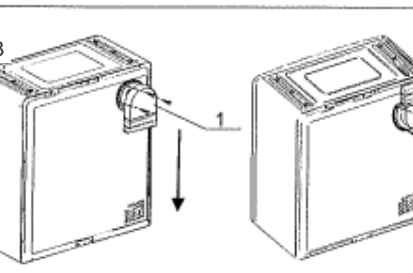
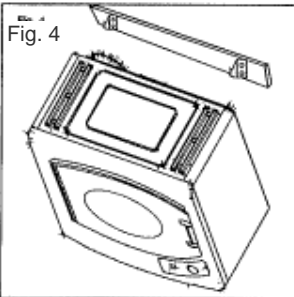
- If you plan to place the appliance directly on the floor, select a hard, level surface. If the surface is uneven, see "Adjusting the Leveling Legs".
- Ventilation openings must not be obstructed by carpeting if you choose to install the dryer on a carpeted floor.
- If you are going to wall-mount your dryer using the wall-mounting kit (included), see "Wall-Mounting Instructions".
- Choose a site away from direct sunlight, which can affect the acrylic coating as well as plastic and electrical components.
- Be sure there will be adequate ventilation.
- Room temperature should not fall below 32°F (0°C).
- The dryer should be kept away from sources of heat such as stoves, furnaces or radiators.

Wall Mounting Instructions

We strongly recommend that the following procedure be completed with at least 2 persons.

Tools and parts required for installation on plaster or wood:

- Drill and drill bit
- Phillips head screw driver
- 4 wood screws, 2" long
- Wall-mounting kit (included):
 - 2 brackets
 - 2 hooks
 - 2 plastic spacers
 - 1 exhaust fitting
 - 9 screws

a)	<p>Determine the position where you will be installing the mounting bracket. (This dryer is not designed to sit directly on top of your washing machine).</p> <p>(A minimum of 2 inches is required between the top of the dryer and the ceiling to allow easy installation and adequate space for exhaust).</p> <p>(If mounting above a washing machine, allow sufficient spacing to open the lid of the washer or breathing room in the case of a front loading washer).</p>	
b)	<p>Affix the wall mounting bracket (included) securely to the wall (directly to the stud).</p> <p>(If a stud is not available, use a wooden slat between the studs to mount the bracket)</p>	<p>Fig. 2</p>  <p>Hanging Hook</p>
c)	<p>Install the Wall Hanging Hooks as shown in illustration (Fig. 2).</p>	<p>Fig. 3</p> 
e)	<p>Mount the dryer on the wall bracket as shown in illustration (Fig. 4). It is recommended that this step be done by two (2) or more persons.</p>	<p>Fig. 4</p> 

Connecting the Exhaust Duct

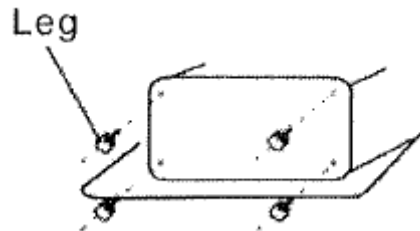
Only rigid or flexible metal ducting should be used for exhaust ventilation.

1. Place the exhaust fitting over the exhaust vent in the upper right corner of the back of the appliance. See Fig. 3 on the previous page. The opening of the fitting should point down for a downward exhaust, and up for an upward exhaust.
2. Connect a rigid or flexible metal duct to the end of the exhaust fitting and feed it to the chosen moist air outlet (ventilation shaft, window, etc.).
3. Ventilation must not be connected to an air duct used as a chimney for exhaust gases or appliances using other combustible material.
4. The distance between the dryer and the moist air outlet should not exceed 80" (2 meters), otherwise water can accumulate in the duct.
5. Periodically clean (vacuum) the interior of the ventilation exit or duct.

Adjusting the Leveling Legs

Your dryer is shipped with four legs in the bag containing your *Use & Care Guide*. To install the leveling legs, see the illustration to the right.

If the floor is uneven, adjust the legs. Do not insert pieces of wood or any other object under the legs.



Place the dryer on a sturdy flat surface. If the dryer is placed on an uneven or weak surface, noise or vibration will occur.

Electrical Connection

WARNING: Improper use of the grounded plug can result in the risk of electrical shock. If the power cord is damaged, have it replaced by an authorized service technician.

This appliance should be properly grounded for your safety. The power cord of this appliance is equipped with a three-prong plug which mates with standard three-prong wall outlets to minimize the possibility of electrical shock.

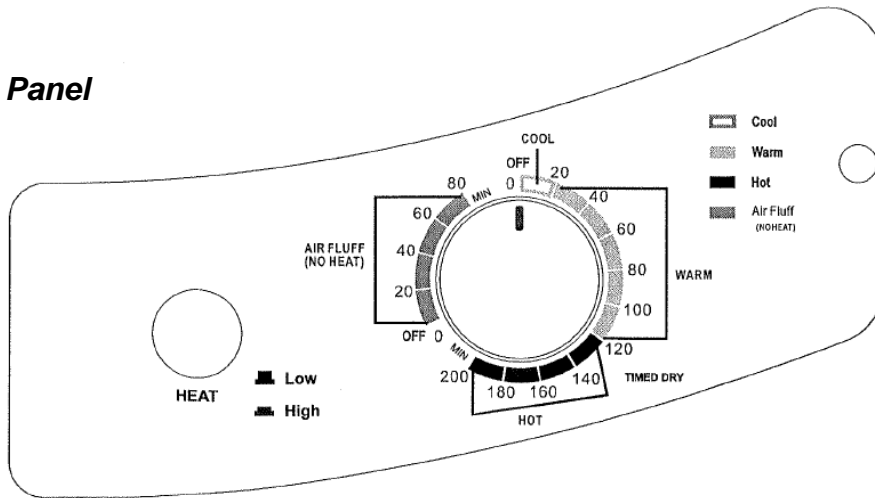
Do not under any circumstances cut or remove the third ground prong from the power cord supplied.

The use of an extension cord is not recommended.

This appliance requires a standard 115/120-volt 60Hz electrical outlet with three-prong ground. To prevent accidental injury, the cord should be secured behind the appliance, not left exposed or dangling.

OPERATING INSTRUCTIONS

Control Panel



Timer Selector Knob

Air Fluff (NO HEAT):
This function runs with COOL air only, primarily to air out items that require refreshing.
I.e.:
Clothing that has been stored for a long period of time.

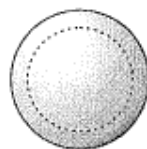
OFF
When the drying timer dial is in this position NO POWER is supplied to the unit.
Once the dial is turned clockwise to the desired drying time or drying program the dryer will start.

COOL
This function is generally used to cool down the items what were just dried.
This function helps to prevent wrinkling of fabrics.
When using this function the dryer will generate "COOL" or Ambient temperature air instead of "HOT" air.

WARM:
This function will dry and cool items and in most cases leave items wrinkle free (depending on material).
Low heat setting:
When planning to iron items, use this setting with a dry time of 30-60 min. Items will be damp and easy to iron.
High heat setting:
Use this setting when you do not plan to iron the items, once the desired drying time between 60-150 minutes is complete, your clothing will be dry and wrinkle free.

OFF
When the drying timer dial is in this position NO POWER is supplied to the unit.
Once the dial is turned clockwise to the desired drying time or drying program the dryer will start.

HOT
Use this function when drying large quantities or bulky items (i.e. when the dryer drum is more than 1/2 half full).
To use this function, select "HIGH" heat and a drying time between 160 and 200 minutes.



LOW
HIGH

Heat Selector Knob

Drying Time Reference Chart

Load weights and respective drying times are approximate.

Drying Load	Drying Times	
	High Heat	Low Heat
3 lbs	30 minutes	55 minutes
5 lbs	60 minutes	110 minutes
7 lbs	120 minutes	
9 lbs	200 minutes	

Sorting Fabrics

For the best drying results, clothes should be sorted properly. Separate the lint shedders (chenille and terrycloth) from the lint collectors (synthetics, flannel and fabrics with a nap, such as velveteen and corduroy). Separate non-colorfast from light-colored items, heavy fabrics from lightweight fabrics and permanent press from heavy, bulky items.

When Not to Use the Dryer

Read all permanent care labels carefully. If a garment's care label says "Drip Dry", "Line Dry" or "Dry Flat", do not dry in the dryer. Certain materials will melt or become dangerously flammable if heated, while others may lose their shape. Other items that should not be tumble-dried are:

- Items that have been dry-cleaned at home
- Wool (unless the garment manufacturer recommends it)
- Fiberglass
- Laminated or rubber-coated items
- Vinyl or plastic

Do not use fabric softeners or products to eliminate static unless recommended by the manufacturer of the fabric softener or product.

WARNING: To reduce the risk of fire, electric shock or injury to persons, read the **IMPORTANT SAFETY INSTRUCTIONS** on page 3 before operating this appliance.

Drying Time

Drying time depends on many factors, such as the amount of laundry, how damp it is, the type of fabrics, the rated power of the machine and the temperature of the room. Of course, it also depends on how dry you want the washing when you take it out of the machine.

Shrinkage

Knitted fabrics in particular are liable to shrink. Do not use the Extra Dry program for these materials, and always stretch them out directly after drying.

Dryer-Added Fabric Softeners

Because some dryer-added fabric softeners may cause damage to automatic dryers, use only ones for which the manufacturers give a written assurance that their softeners can be used safely in your dryer.

Single Items

Use the timed program when there is only one item to be dried. This is because the automatic program may turn off the heating too early, so that the item is not properly dried.









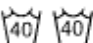

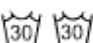













If the Wash Is Not Dry After Tumble-Drying

When using the automatic programs, it can happen that not all of the washing is properly dry. This may be due to such reasons as very heavy fabrics or thick seams. To dry these items, give a further 10 minutes or so in the timed program. Also, do not overload the dryer. If the dryer is overloaded, its efficiency is lessened and clothes may not dry evenly.

Avoid Over-Drying

When using the timed program, it is possible to over-dry fabrics if too long a time has been set. This can cause the fabrics to wrinkle, shrink or feel harsh. Synthetic materials can also become charged with static electricity.

Fabric Care Chart

	Resistant material		Can be ironed at 100°C max (212°F)
	Delicate fabric		Do not iron
	Item may be washed at 95°C (203°F)		Can be dry cleaned using any Solvent
	Item may be washed at 60°C (140°F)		Dry clean with perchloride, lighter fuel, pure alcohol or R113 only
	Item may be washed at 40°C (104°F)		Dry clean with aviation fuel, pure alcohol or R113 only
	Item may be washed at 30°C (86°F)		Do not dry clean
	Item may be hand washed		Dry flat
	Dry clean only		Can be hung to dry
	Can be bleached in cold water		Dry on clothes hanger
	Do not bleach		Tumble dry, normal heat
	Can be ironed at 200°C max (392°F)		Tumble dry, reduced heat
	Can be ironed at 150°C max (302°F)		Do not tumble dry

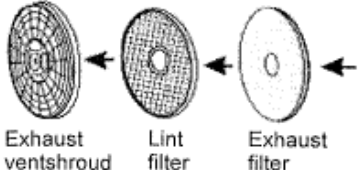

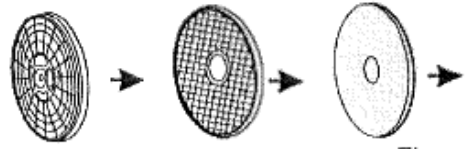
CARE AND MAINTENANCE

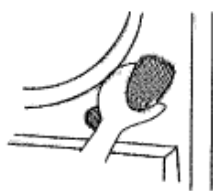
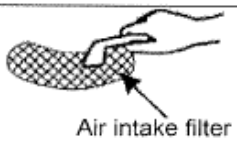
Cleaning the Exterior of the Appliance

- Wipe the dryer surfaces, including the control panel, with a soft cloth and non-abrasive household detergents.
- Use a soft cloth to dry the surfaces.
- Do not pour water on the dryer.

Cleaning the Filters

Unplug the power cord prior to any cleaning.

Cleaning the Lint Filter:	
a) Removing the Lint Filters: Remove by gripping the outer edges and pulling firmly toward you.	ALL FILTERS MUST BE IN PLACE WHEN DRYING FILTERS MUST BE CLEANED BEFORE AND AFTER EACH USE.
b) The filter assembly consists of three (3) parts (See illustration) a) Exhaust Vent Shroud b) Lint Filter c) Exhaust Filter	 <p>Exhaust ventshroud Lint filter Exhaust filter</p>
c) Separate each of the above parts and clean the individual pieces using a SOFT brush or vacuum cleaner. DO NOT damage the filters	 <p>Lint filter Lint Exhaust filter Dust cleaner</p>
d) Re-install the filter assembly Reassemble the filter assembly in order Exhaust Filter/Lint Filter/Exhaust Shroud Align the entire assembly with the recessed position in the back of the drum and press firmly until the entire assembly snaps into place.	 <p>Figure 3</p>

Cleaning the Air Intake Filter	
a) Removing the Air Intake Filter: Remove by pulling outward holding the filter housing by the top and bottom.	
b) Remove the filter inside the housing and clean using a SOFT brush or vacuum cleaner.	 <p>Air intake filter</p>
c) Replace the filter housing by pushing upwards with your thumb until the latch is secure.	

TROUBLESHOOTING

You can solve many common appliance problems easily, saving you the cost of a possible service call. Try the suggestions below to see if you can solve the problem before calling the service provider.

Troubleshooting Guide

Problem	Possible cause / solution
Timer knob will not rotate. Dryer does not operate. Drum does not rotate.	Not plugged in. Circuit breaker has tripped or fuse has blown. Door is not closed.
Laundry not completely dry.	Clean the filters. Reduce the amount of clothing loaded in the dryer. Re-dry the loaded items. Ensure items are not knotted or bulked together. Dryer is not located in a well-ventilated area.

If you've checked the table above and find that you still need help with your appliance, call our Customer Service facility at **1-800-932-4267** between 9:00AM and 5:00PM ET. We will do our best to answer your questions.



NOTES

LIMITED WARRANTY

Within the 48 contiguous United States, for one year from the date of purchase, when this appliance is operated and maintained according to instructions attached to or furnished with the product, warrantor will pay for factory-specified parts and repair labor to correct defects in materials or workmanship. Service must be provided by a designated service company. Outside the 48 states, all parts are warranted for one year from manufacturing defects. Plastic parts, shelves and cabinets are warranted to be manufactured to commercially acceptable standards, and are not covered from damage during handling or breakage.

ITEMS WARRANTOR WILL NOT PAY FOR:

1. Service calls to correct the installation of your appliance, to instruct you how to use your appliance, to replace or repair fuses or to correct wiring or plumbing.
2. Service calls to repair or replace appliance light bulbs or broken shelves. Consumable parts (such as filters) are excluded from warranty coverage.
3. Damage resulting from accident, alteration, misuse, abuse, fire, flood, acts of God, improper installation, installation not in accordance with electrical or plumbing codes, or use of products not approved by warrantor.
4. Replacement parts or repair labor costs for units operated outside the United States.
5. Repairs to parts or systems resulting from unauthorized modifications made to the appliance.
6. Expenses for travel and transportation for product service in remote locations.
7. The removal and reinstallation of your appliance if it is installed in an inaccessible location or is not installed in accordance with published installation instructions.

DISCLAIMER OF IMPLIED WARRANTIES; **LIMITATION OF REMEDIES**

CUSTOMER'S SOLE AND EXCLUSIVE REMEDY UNDER THIS LIMITED WARRANTY SHALL BE PRODUCT REPAIR AS PROVIDED HEREIN. IMPLIED WARRANTIES, INCLUDING WARRANTIES OF MERCHANTABILITY OR FITNESS FOR A PARTICULAR PURPOSE, ARE LIMITED TO ONE YEAR. WARRANTOR SHALL NOT BE LIABLE FOR INCIDENTAL OR CONSEQUENTIAL DAMAGES. SOME STATES DO NOT ALLOW THE EXCLUSION OR LIMITATION OF INCIDENTAL OR CONSEQUENTIAL DAMAGES, OR LIMITATIONS ON THE DURATION OF IMPLIED WARRANTIES OF MERCHANTABILITY OR FITNESS, SO THESE EXCLUSIONS OR LIMITATIONS MAY NOT APPLY TO YOU. THIS WARRANTY GIVES YOU SPECIFIC LEGAL RIGHTS AND YOU MAY ALSO HAVE OTHER RIGHTS, WHICH VARY FROM STATE TO STATE.

FELIX STORCH, INC.
770 Garrison Avenue
Bronx, NY 10474
Phone: (718) 893-3900
Fax: (718) 842-3093
www.summitappliance.com

The logo for Summit Appliance, featuring the word "SUMMIT" in a bold, black, sans-serif font. The letters are slightly shadowed, giving it a three-dimensional appearance.

For parts and accessory ordering,
troubleshooting and helpful hints, visit:
www.summitappliance.com/service