

SENCOR®

STM 3770WH / STM 3771GR / STM 3772BL
STM 3773OR / STM 3774RD / STM 3775VT
STM 3776YL / STM 3777TQ / STM 3778RS



EN ■ Food Processor

READ CAREFULLY AND STORE FOR FUTURE USE.

- This appliance may be used by persons with physical or mental impairments or by inexperienced persons, if they are properly supervised or have been informed about how to use the product in a safe manner and understand the potential dangers.
- Children must not use this appliance or play with it. Keep this appliance and the power cord out of reach of children.
- Before connecting this appliance to a power socket, make sure the rated voltage stated on its rating label corresponds to the voltage in your power socket.
- Never use accessories, which have not been supplied with this appliance or which have not been explicitly recommended by the manufacturer for this type of appliance.
- This appliance is designed for household use. Do not use it for commercial purposes, in industrial surroundings, or outdoors, or for purposes other than those for which it is intended.
- Always place the appliance on an even, dry and stable surface. Do not place it on an electric or gas stove, in the vicinity of an open flame or appliances that are sources of heat.
- Never use multiple attachments simultaneously.
- Before putting the appliance into operation, check that it is correctly assembled and that the multi-function head is tilted down in the horizontal position. For safety reasons, this appliance is equipped with a safety mechanism that prevents the motor from being started when the multi-function head is tilted out.
- In the event that the multi-function head tilts out during operation, the appliance will automatically stop running.
- Do not touch rotating parts of the appliance and ensure that foreign items such as clothing, hair, etc. are kept away. An injury could occur or the appliance could be damaged.
- In the event that an item, such as a spoon, falls into the bowl during operation, immediately set the speed control knob to the 0 (off) position and disconnect the power cord from the power socket. Wait until the rotating parts come to a stop and then remove the item.
- In the event that ingredients stick to the attachment or the sides of the bowl, turn the appliance off, disconnect it from the power socket, and wait until rotating parts come to a stop. Use a silicone spatula to clean the attachment and the inside of the bowl. Then you can restart the appliance.

- Make sure that no hair, clothing or other items enter the feed tube of meat grinder while it is running. Do not put anything other than the ingredients that are to be processed into the feed tube.
- Never use your fingers or other items to push ingredients through the meat grinder feed tube. For this purpose there is a pusher included as an accessory.

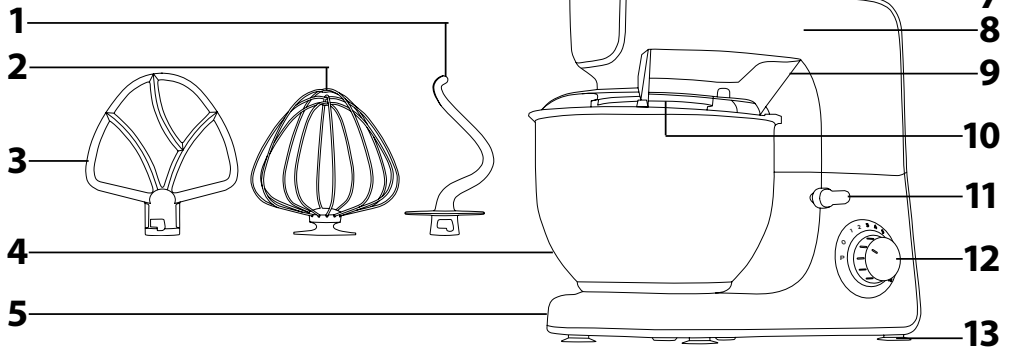
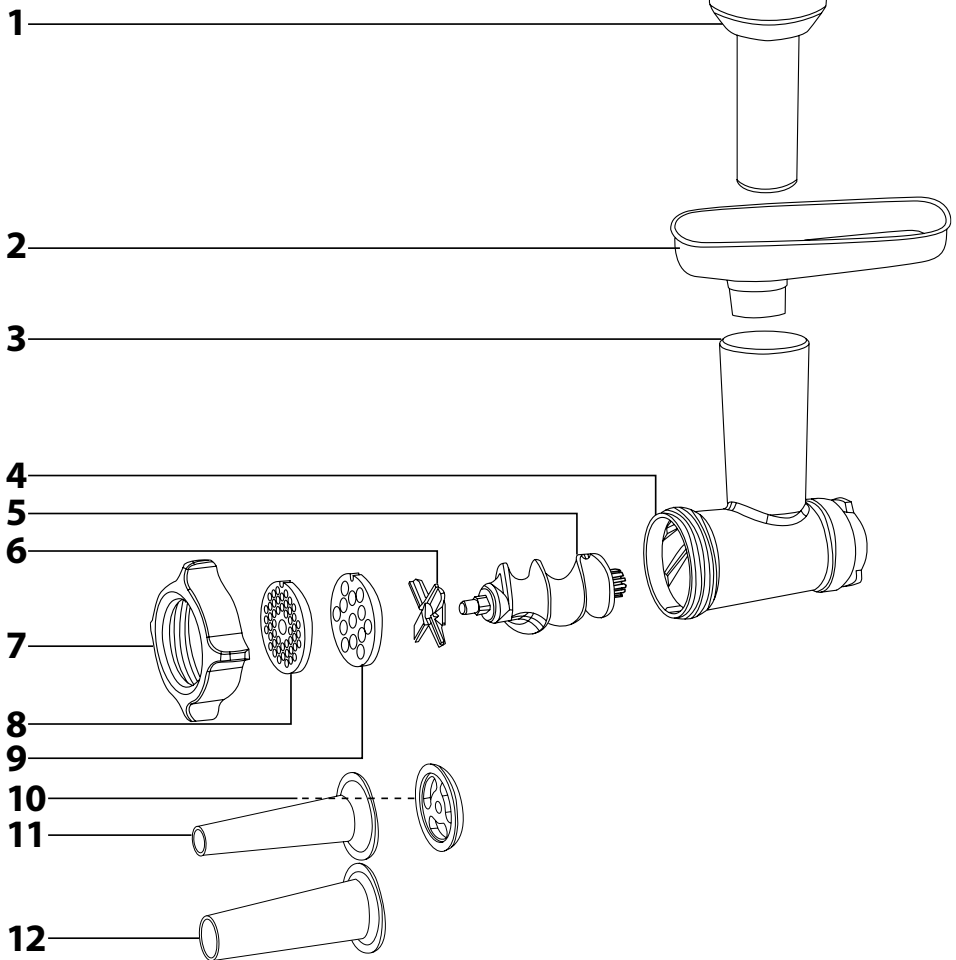


Warning:

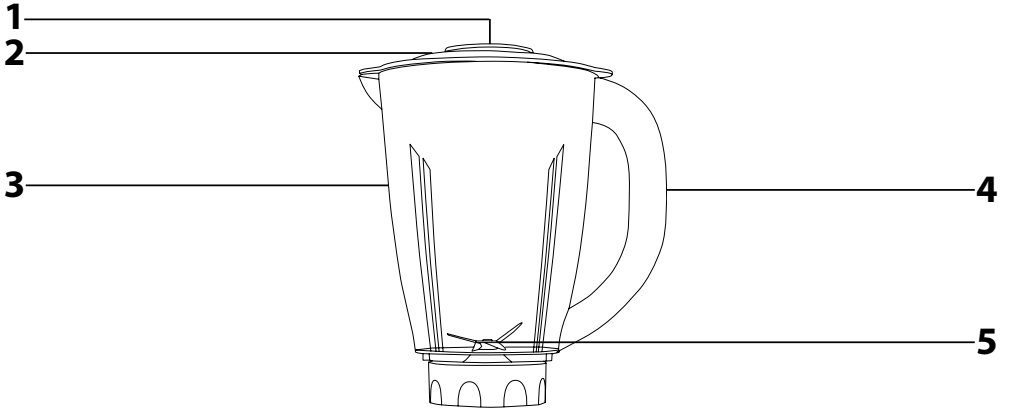
Incorrect use may lead to injuries.

- To prevent injury caused by sharp edges, be especially careful when handling the grinding blade of the meat grinder and the blade assembly of the blender. Increased attention must also be paid when emptying out the blending jar, when removing the grinding blade from the chamber, and when cleaning the appliance.
- Do not attempt to grind bones, frozen meat or other hard ingredients.
- Hot liquids up to a temperature of 80 °C may be processed in the blending jar. Be especially careful when handling hot liquids. Hot steam or splashing hot foods and liquids may cause scalding. Never start the blender without the lid properly seated in position. When processing hot liquids, do not remove the inner cap during operation. Do not touch the hot surface. Use the handle to carry the blending jar when it is hot.
- The maximum continuous operating time is 10 minutes. Do not exceed the maximum operating time of 5 minutes when in the kneading mode and do not exceed the maximum operating time of 3 minutes when using the blender. Before starting it again, allow the appliance to cool down for 30 minutes.
- Always turn off the appliance, disconnect it from the power socket when not be using it, when leaving it without supervision, and before assembling, disassembling, cleaning or moving it. Prior to disassembling the appliance and replacing accessories or accessible parts that move during use, wait until all moving parts come to a stop.
- Clean it according to the instructions in chapter Cleaning and maintenance.
- Never wash the appliance under running water or submerge it in water or another liquid.
- Do not turn on the appliance when it is empty. Incorrect use of the appliance may negatively affect its lifetime.
- Ensure that the power plug contacts do not come into contact with water or moisture. Do not place heavy items on the power cord. Make sure that the power cord does not hang over the edge of a table or that it is not touching a hot surface.
- Disconnect the power cord from the power socket by pulling on the plug, never pulling on the cord. Otherwise, this could damage the power cord or the socket.
- If the power cord is damaged, have it replaced at a professional service centre. It is forbidden to use the appliance if it has a damaged power cord.

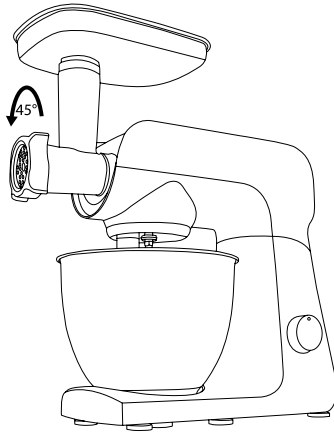
- To avoid the danger of injury by electrical shock, do not repair the appliance yourself or make any adjustments to it. Have all repairs performed at an authorised service centre. By tampering with the appliance, you risk voiding your legal rights arising from unsatisfactory performance or quality warranty.

A**B**

C



D



- Prior to using this appliance, please read the user's manual thoroughly, even in cases, when one has already familiarised themselves with previous use of similar types of appliances. Only use the appliance in the manner described in this user's manual. Keep this user's manual in a safe place where it can be easily retrieved for future use.
- We recommend saving the original cardboard box, packaging material, purchase receipt and responsibility statement of the vendor or warranty card for at least the duration of the legal liability for unsatisfactory performance or quality. In the event of transportation, we recommend that you pack the appliance in the original box from the manufacturer.

DESCRIPTION OF THE FOOD PROCESSOR

A1 Kneading hook	A10 Hub for attaching attachments
A2 Balloon whisk	A1-A3
A3 A-shaped beater	A11 Multi-function head release lock
A4 5.5-litre stainless steel bowl	A12 Speed control knob
A5 Base unit	serves to set speeds 1 to 10, sets the pulse level and turns off the appliance.
A6 Removable cover of the front meat grinder attachment hub	A13 Suction cups
A7 Removable cover of the top blender attachment hub	provide stability to the appliance during operation.
A8 Tilt-out multi-function head	
A9 Bowl cover with a hole for adding ingredients	

DESCRIPTION OF MEAT GRINDER ACCESSORIES

B1 Pusher	B7 Screw ring
B2 Hopper	B8 Fine grinding plate
B3 Feed tube	B9 Coarse grinding plate
B4 Grinding chamber	B10 Separator
B5 Screw shaft	B11 Thin sausage stuffer attachment
B6 Grinding blade	B12 Thick sausage stuffer attachment

DESCRIPTION OF THE BLENDER ACCESSORIES

C1 Inner cap of the blending jar	C4 Handle
C2 Outer lid of the blending jar with a hole for adding ingredients	C5 Blade assembly
C3 Glass blending jar with 1.5 l capacity	is an integral part of the blending jar.

BEFORE FIRST USE

1. Take the appliance and its accessories out of the packaging materials.
2. Thoroughly wash all accessory parts that are intended to come into contact with food using warm water and a neutral kitchen detergent. Then rinse them under clean running water and thoroughly wipe dry with a fine wiping cloth or allow them to dry naturally. After washing and drying, we recommend to coat the grinding blade **B6** and the grinding plates **B8** and **B9** with cooking oil.
3. Do not submerge the food processor or its power cord in water or any other liquids.



Attention:

The metal parts of the meat grinder and attachments **A1-A3** are not intended for washing in a dishwasher. Other removable parts may be washed in a dishwasher.

BEATING, WHIPPING AND KNEADING

SELECTING ATTACHMENT TYPES

Attachment type	Purpose of use
Beater A3	It is used for beating light and medium heavy yeast-free doughs, for preparing sauces, creams, fillings, etc. Do not use it for kneading heavy doughs.
Balloon whisk A2	It is used for whisking whole eggs or egg whites, whipped cream, foamy creams, etc. Do not use it for beating or kneading doughs.
Kneading hook A1	It is used for kneading various types of doughs including heavy and thick doughs such as for example bread dough, pizza dough, fresh pastry doughs, etc.

ASSEMBLING AND DISASSEMBLING THE FOOD PROCESSOR

- Before you start assembling or disassembling the food processor, check that it is turned off and disconnected from the power socket.

1. Inserting the bowl

- 1.1 Place the food processor on an even, dry surface, for example on a kitchen countertop.
- 1.2 Use the lock **A11** to release the multi-function head **A8** and tilt it out all the way. The locked status of the multi-function head **A8** in the open position is indicated by the lock **A11** returning to the default position.
- 1.3 Insert the stainless steel bowl **A4** into the base unit **A5** and secure it in place by turning it clockwise. When the bowl **A4** is properly attached, it cannot be separately lifted out of the base unit **A5**.

2. Mounting attachments and the cover

- 2.1 When attaching an attachment, the multi-function head **A8** must be locked in the open position, see point 1.2 in the previous chapter. Attach one of the attachments on to the shaft on the underside of the multi-function head **A8** so that the shaft fits into the hole on the attachment. Push the attachment towards the multi-function head **A8** and turn it anticlockwise to secure it in place. Lightly pull the attachment downwards with one hand to check that it is properly attached.
- 2.2 Place the ingredients that you wish to process into the bowl **A4**. Release the lock **A11** and tilt the multi-function head **A8** to the horizontal position. After tilting down the multi-function head **A8**, release the lock **A11**. The locked status of the multi-function head **A8** in the tilted down work position is indicated by the lock **A11** returning to the default position. This is accompanied by an audible click.
- 2.3 Place the cover **A9** on to the bowl **A4**.

3. Disassembly

- 3.1 Remove the cover **A9**. Release the lock **A11** and tilt out the multi-function head **A8** all the way. After tilting out the multi-function head **A8**, release the lock **A11**. Locking of the multi-function head **A8** in the open position is indicated by the lock **A11** returning to the default position, which is accompanied by an audible click.
- 3.2 Push the attachment gently towards the multi-function head **A8**. Then rotate it clockwise until it is released from the shaft and take it off. Turn the bowl **A4** anticlockwise and remove it from the base unit **A5**. Move the arm **A8** back to the horizontal position.

USING THE FOOD PROCESSOR

1. Select the right type of attachment based on its intended use and assemble the appliance according to the instructions in the chapter Assembling and disassembling the food processor. Put the ingredients into the bowl **A4** before tilting the multi-function head **A8** to the horizontal position.



Attention:

In a single batch, it is possible to process no more than 2.2 litres of light dough or 0.8 litres of thick, heavy dough. The maximum number of egg whites that can be whisked at once is 12. If an insufficient amount of ingredients are put in the bowl **A4** (less than 0.3 litres of dough), then they may not be perfectly processed.

2. Make sure that the speed control knob **A12** is set to position 0 (off) and that the multi-function head **A8** is tilted down in the horizontal position. The cover **A7** must be properly attached to the multi-function head **A8**. Otherwise, the food processor will not start. Connect the power cord to a power socket.
3. Set the required speed using the speed control knob **A12**. Gradually turn the speed control knob **A12** clockwise to increase the speed, turning it in the opposite direction will reduce the speed. To initially stir in the ingredients, first set a lower speed and then adjust it as required. Electronic speed regulation ensures that the set speed will be maintained under various loads. While it is running, ingredients may be added into the bowl **A4** through the hole in the cover **A9**.
4. The pulse mode is used for increasing the speed to maximum for a short time. To activate the pulse mode, turn the speed control knob **A12** to the "P" position and to ensure continuous operation hold it down in this position. As soon as you release the speed control knob **A12**, it will automatically return to position 0 (off).
5. If it is necessary to wipe ingredients off the inside of the mixing bowl **A4** and the attachment, first turn off the food processor by setting the speed control knob **A12** to position 0 (off) and then disconnect it from the power socket. Wait until the rotating parts come to a stop and only then scrape away the ingredients with a spatula.
6. After you have finished using the appliance, set the speed control knob **A12** to position 0 (off) and disconnect the power cord from the power socket.
7. Wait until the rotating parts come to a stop and disassemble the food processor according to the instructions included in chapter Assembling and disassembling the food processor. Use a soft plastic spatula to empty out the contents of the bowl **A4**.
8. Clean out the food processor after each use according to the instructions in chapter Cleaning and maintenance.

QUICK GUIDE TO PROCESSING INGREDIENTS

Attachment type	Ingredients	Maximum load	Processing time	Speed selection
Balloon whisk A2	Egg whites	12 pcs	4 min	8–10
Balloon whisk A2	Whipping cream	1l	6–8 min	8–10
Beater A3	Cake dough	2.2l	6 min	3–6
Kneading hook A1	Bread dough	0.8l	4–5 min	1–2



Note:

The above processing times are only a reference.

When whipping egg whites, the bowl **A4** and the beater **A2** must be perfectly clean and dry. Even a small amount of fat may cause the egg whites not to be whipped to the desired snowy consistency. Whipping cream should be cooled to a temperature of 6 °C prior to being whipped.

Prior to processing them, and allow the ingredients used for making various doughs and mixtures to rest at room temperature.

GRINDING MEAT AND MAKING SAUSAGES

ASSEMBLING AND DISASSEMBLING THE MEAT GRINDER

1. Insert the screw shaft **B5** into the grinding chamber **B4** with the cogged wheel entering first.
2. Place the grinding blade **B6** on to the shaft **B5** (with the edge facing outwards from the chamber) and on to it attach either the fine or coarse grinding plate **B8** or **B9** depending on the preferred coarseness of the grind. Make sure that the notch in the grinding chamber **B4** slides into the groove in the grinding plate.



Attention:

When attaching the blade **B6**, be very careful not to injure yourself on the sharp edge.

3. Place the screw ring **B7** on to the grinding chamber **B4** and tighten it securely by screwing it clockwise.
4. Make sure that the food processor is turned off and disconnected from the power socket. The arm **A8** must be tilted down to the horizontal position and the attachments **A1**, **A2** or **A3** must be removed. The cover **A7** must be properly attached to the multi-function head. Otherwise, it will not be possible to start the appliance. Remove the cover **A6** from the multi-function head. Place the assembled meat grinder at an angle of approximately 45° against the attachment hub so that the feed tube **B3** is tilted to the right at an angle of approximately 45° from the vertical axis and set the attachment into a vertical position by turning it anticlockwise (fig. D) all the way. Place the hopper **B2** on to the feed tube **B3**. The meat grinder is now assembled and ready for use.
5. Disassemble in reverse sequence.

USING THE MEAT GRINDER

1. First prepare the meat for grinding in the following way. Remove all bones, tendons, cartilage and cut the meat into 2×2×6 cm size pieces that will freely pass through the feed tube **B3**.



Attention:

Do not process frozen meat. Allow it to defrost before grinding it.

2. Make sure that the meat grinder is correctly assembled and that the speed control knob **A12** is set to the 0 position (off).
3. Place the stainless steel bowl **A4** or another suitable container under the meat grinder. Insert the power plug into a power socket.
4. Use the speed control knob **A12** to set the desired speed. We recommend that you initially set it to 5 and then lower or increase the as required. Gradually place the meat pieces into the feed tube **B3** and push them in using the pusher **B1**. Take care not to clog up the feed tube **B3** by a large amount of meat. Do not process more than 5 kg of meat per batch. The processing time is only several minutes.



Attention:

Do not use fingers or other utensils to push meat through the feed tube **B3**. Always use the pusher **B1** designed for this purpose.

5. The ground meat will fall into the prepared bowl. The meat that remains in the grinding chamber **B4** can be removed by grinding a slice of bread or a bread roll.
6. To turn off the appliance, set the speed control knob **A12** to the 0 position (off).
7. Clean out the meat grinder after each use according to the instructions in chapter Cleaning and maintenance.

ASSEMBLING AND DISASSEMBLING THE SAUSAGE STUFFER ATTACHMENT

1. Proceed in the same way as when assembling the meat grinder, only with the difference that instead of the grinding blade **B6** and the grinding plate **B8** or **B9** only parts **B10** and **B11** or **B12** are used.

2. Place the separator **B10** on to the screw shaft **B5** so that the notch in the grinding chamber **B4** fits into the groove in the separator **B10**. Place the sausage stuffer attachment **B11** or **B12** on to the separator **B10** and complete the entire sausage stuffer assembly by screwing the screw ring **B7** on to the grinding chamber **B4** and attaching the hopper **B2** to the feed tube **B3**.
3. Attach the attachment to the food processor in the same way as described in point 4 in chapter Assembling and disassembling the meat grinder.
4. To disassemble proceed in the reverse sequence.

USING THE SAUSAGE STUFFER ATTACHMENT

1. Make sure that the appliance is correctly assembled and that the speed control knob **A12** is set to the 0 position (off). Insert the power plug into a power socket.
2. Prepare a sausage casing that you will stuff with ground meat and allow it to soak in lukewarm water for approx. 10 minutes. Place the ground meat mixture on to the hopper **B2**. Take the sausage casing out of the water and skewer or tie up one end and slide the other end like a sock on to the sausage stuffer attachment **B11** or **B12**.
3. Use the speed control knob **A12** to set the desired speed. We recommend to initially set the lowest speed and then increase it as required. With one hand hold the sausage casing on the attachment **B11** or **B12** and use the other hand to push the ground meat mixture with the pusher **B1** through the feed tube **B3**. If the sausage casing sticks to the attachment **B11** or **B12**, it is necessary to moisten it with water again.



Attention:

Do not use fingers or other utensils to push minced meat through the feed tube **B3**. Always use the pusher **B1** designed for this purpose.

4. To turn off the appliance, set the speed control knob **A12** to the 0 position (off).
5. Clean out the individual parts of the attachment after each use according to the instructions in chapter Cleaning and maintenance.

BLENDING

ASSEMBLING AND DISASSEMBLING THE BLENDER

1. Place the outer lid **C2** on to the blending jar **C3** so that the arrow symbols on the lid **C2** and handle **C4** are aligned. Firmly push down the lid **C2** along the entire perimeter so that it adheres well to the edge of the blending jar **C3**. Place the inner cap **C1** into the opening in the lid **C2** so that the tabs along the perimeter of the cap **C1** slide into the grooves in the lid **C2**. Turn the cap **C1** clockwise to secure it in place.
2. Make sure that the food processor is turned off and disconnected from the power socket. The multi-function head **A8** must be tilted down in the horizontal position and the beater, blender or kneading attachments must be removed. Remove the cover of the top attachment hub **A7** from the multi-function head **A8** and place the assembled blending jar on to the top attachment hub so that the arrow marked on the blending jar **C3** is aligned with the open padlock symbol on the multi-function head **A8**. Turn the blending jar **C3** towards the closed padlock symbol all the way. This will secure the assembled blender to the multi-function head **A8**. The food processor is equipped with a safety mechanism that will prevent the blender from starting unless it is correctly attached.
3. To disassemble proceed in the reverse sequence.

USING THE BLENDER

1. The blender is intended for preparing meals and drinks such as milkshakes, creamy soups, sauces, spreads, fresh baby foods, etc. It is not intended for juicing fruit and vegetables, preparing potato purée, yeast dough or for whipping egg whites.
2. Place the prepared ingredients into the blending jar **C3** and assemble the blender according to the instructions in chapter Assembling and disassembling the blender.



Note:

The maximum capacity of the blending jar **C3** is 1.5 litres. Never fill it past the maximum mark. When processing hot liquids or liquids that expand in volume during the blending process, it is recommended to fill the blending jar **C3** to no more than 2/3 of its maximum capacity.

3. Make sure that the food processor is correctly assembled and that the speed control knob **A12** is set to the 0 position (off). Connect the power cord to a power socket.
4. Set the required speed using the speed control knob **A12**. We recommend to first set a slower speed to allow the ingredients to mix together. Then you can increase the speed. While blending, always use your hand to hold down the lid from above. The pulse level is appropriate when you wish to blend food only very quickly. To start the pulse level, turn the speed control knob **A12** to the "P" position and hold it in this position for a moment. As soon as you release the speed control knob **A12**, it will automatically return to position 0 (off).



Attention:

The maximum operating time of the blender is 3 minutes. Do not leave the appliance in continuous operation for longer than indicated above. Then allow it to cool down for 30 minutes.

- While blending, you may add food or liquids to the blending jar **C3** through the hole in the lid **C2** after removing the inner cap **C1**. Never open the outer lid **C2** during operation. When processing hot liquids, the inner cap **C1** must remain closed.
- In the event that food is sticking to the blade assembly **C5** or the walls of the blending jar **C3**, turn the appliance off by turning the speed control knob **A12** to the 0 position (off) and disconnect it from the power socket. Make sure that the blade assembly **C5** has stopped rotating. Carefully remove the blending jar from the multi-function head **A8**. Take off the lid and using a plastic spatula, clean the blade assembly **C5** and the inside of the blending jar **C3**. Put the lid back on and reattach the blender assembly to the multi-function head **A8**. Plug the power cord into a power socket and continue blending.
- After you have finished using the appliance, set the speed control knob **A12** to position 0 (off) and disconnect the power cord from the power socket. Check that the blade assembly **C5** has stopped rotating and take the blending jar assembly off the multi-function head **A8**. Use a soft plastic spatula to remove food from the blending jar **C3**.
- Clean out the individual parts after each use according to the instructions in chapter Cleaning and maintenance.

ADVICE AND TIPS FOR BLENDING

- First cut food with a firm consistency such as fruit and vegetables into smaller pieces measuring 3 cm and only then blend it.
- First, blend a smaller amount of ingredients and then gradually add more ingredients through the hole in the lid **C2** while blending. In this way, you will achieve better results than by adding all ingredients into the blending jar **C4** at once.
- If you need to blend food of a solid consistency together with liquids, we recommend that you first blend the food of solid consistency and a part of the liquids. Then gradually add the remaining liquids through the hole in the lid **C2** while blending.
- To blend very thick liquids, we recommend using the pulse level so that the blade assembly **C5** does not get jammed too often. Start the blender repeatedly in short intervals.
- Ice cubes must be processed immediately upon being removed from the freezer. When the ice starts to melt, the ice cubes will stick together and it will not be possible to blend them.

QUICK GUIDE TO PROCESSING INGREDIENTS

Ingredients	Speed selection	Recommended blending time
Fruit and vegetables cut into smaller pieces	5–7	30 s
Baby food	5–7	40 s
Spreads, dressings and marinades	4–6	30 s
Smoothies and cocktails	6–10	40 s
Soups	6–10	30 s
Ice cubes	P (Pulse level)	



Note:

The above food processing times are only a reference. The actual blending time depends on the size of the ingredients, their amount and the required final consistency.

CLEANING AND MAINTENANCE

- Before cleaning the food processor, always switch it off by setting the speed control knob **A12** to the 0 (off) position and disconnect it from the power socket.
- Disassemble the food processor into its individual parts. Wait until moving parts come to a complete stop before disassembly.
- Thoroughly wash the removable parts after every use using warm water with a neutral dishwashing detergent. Then rinse using clean running water and wipe dry with a fine wiping cloth. After washing and drying, we recommend to coat the grinding blade **B6** and the grinding plates **B8** and **B9** with cooking oil.
- If you whisked egg whites, first rinse the bowl **A4** and the beater **A2** under cold water. If you were to use hot water, the egg white remains would harden and their removal would be more difficult.



Attention:

When cleaning the grinding blade **B6** and the blending blade assembly **C5**, take special care to avoid injury.

- The metal parts of the meat grinder and attachments **A1–A3** are not intended for washing in a dishwasher. Other removable parts may be washed in a dishwasher.
- For cleaning the base unit **A5** and the multi-function head **A8**, use a cloth lightly dipped in a weak detergent solution. Then wipe everything with a clean dampened cloth and thoroughly wipe dry.
- Do not submerge the food processor or its power cord in water or any other liquids. For cleaning, do not use solvents, abrasive cleaning products, etc. Otherwise the surface may be damaged.

STORAGE

- If you will not be using the food processor, store it in a dry place out of children's reach. For storage, make sure that the multi-function head **A8** is tilted down in the horizontal position.

TECHNICAL SPECIFICATIONS

Rated voltage range.....	220–240 V
Rated frequency.....	50/60 Hz
Rated power input.....	1 000 W
Electrical shock protection class.....	II
Noise level.....	85 dB(A)

The declared noise emission level of the appliance is 85 dB(A), which represents a level **A** of acoustic power with respect to a reference acoustic power of 1 pW.

Explanation of technical terminology

Safety class for electrical shock protection:

Class II – Electrical shock protection is provided by double or heavy-duty insulation.

Changes to text and technical parameters are reserved.

INSTRUCTIONS AND INFORMATION REGARDING THE DISPOSAL OF USED PACKAGING MATERIALS

Dispose of used packaging material at a site designated for waste in your municipality.

DISPOSAL OF USED ELECTRICAL AND ELECTRONIC EQUIPMENT



This symbol on products or original documents means that used electric or electronic products must not be added to ordinary municipal waste. For proper disposal, renewal and recycling hand over these appliances to determined collection points. Alternatively, in some European Union states or other European countries you may return your appliances to the local retailer when buying an equivalent new appliance.

Correct disposal of this product helps save valuable natural resources and prevents potential negative effects on the environment and human health, which could result from improper waste disposal. Ask your local authorities or collection facility for more details.

In accordance with national regulations penalties may be imposed for the incorrect disposal of this type of waste.

For business entities in European Union states

If you want to dispose of electric or electronic appliances, ask your retailer or supplier for the necessary information.

Disposal in other countries outside the European Union

This symbol is valid in the European Union. If you wish to dispose of this product, request the necessary information about the correct disposal method from the local council or from your retailer.



This product meets all the basic requirements of EU directives related to it.