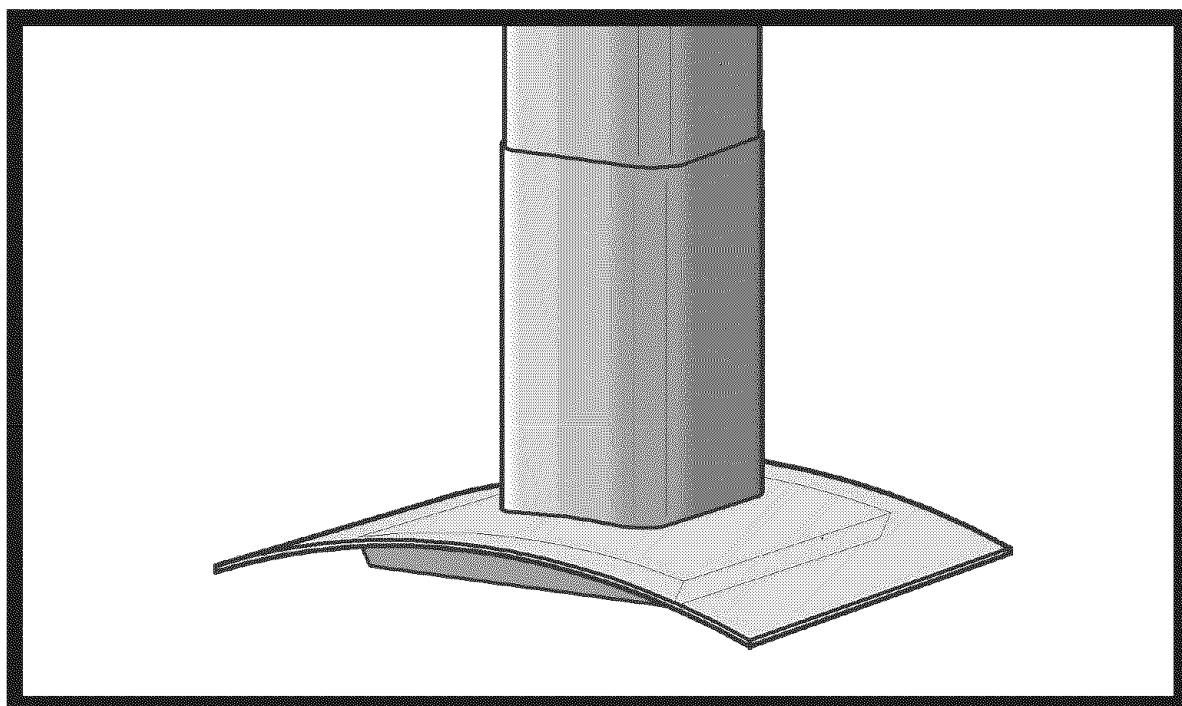


# *Frigidaire*

## PROFESSIONAL SERIES



### Model **PL36PC40EC**

|               |    |
|---------------|----|
| ENGLISH.....  | 2  |
| FRANÇAIS..... | 10 |

## READ AND SAVE THESE INSTRUCTIONS

### INTENDED FOR DOMESTIC COOKING ONLY

#### WARNING

**TO REDUCE THE RISK OF FIRE, ELECTRIC SHOCK, OR INJURY TO PERSONS, OBSERVE THE FOLLOWING:**

1. Use this unit only in the manner intended by the manufacturer. If you have questions, contact the manufacturer at the address or telephone number listed in the warranty.
2. Before servicing or cleaning unit, switch power off at service panel and lock service panel to prevent power from being switched on accidentally. When the service disconnecting means cannot be locked, securely fasten a prominent warning device, such as a tag, to the service panel.
3. Installation work and electrical wiring must be done by a qualified person(s) in accordance with all applicable codes and standards, including fire-rated construction codes and standards.
4. Sufficient air is needed for proper combustion and exhausting of gases through the flue (chimney) of fuel burning equipment to prevent backdrafting. Follow the heating equipment manufacturer's guidelines and safety standards such as those published by the National Fire Protection Association (NFPA), and the American Society for Heating, Refrigeration and Air Conditioning Engineers (ASHRAE), and the local code authorities.
5. When cutting or drilling into wall or ceiling, do not damage electrical wiring and other hidden utilities.
6. Ducted fans must always be vented to the outdoors.
7. Do not use this unit with any separate solid-state speed control device.
8. To reduce the risk of fire, use only metal ductwork.
9. This unit must be grounded.

#### **TO REDUCE THE RISK OF A RANGE TOP GREASE FIRE:**

- A. Never leave surface units unattended at high settings. Boilovers cause smoking and greasy spillovers that may ignite. Heat oils slowly on low or medium settings.
- B. Always turn hood ON when cooking at high heat or when flambéing food (i.e. Crepes Suzette, Cherries Jubilee, Peppercorn Beef Flambe').
- C. Clean ventilating fans frequently. Grease should not be allowed to accumulate on fan or filter.
- D. Use proper pan size. Always use cookware appropriate for the size of the surface element.

#### WARNING

**TO REDUCE THE RISK OF INJURY TO PERSONS IN THE EVENT OF A RANGE TOP GREASE FIRE, OBSERVE THE FOLLOWING:\***

1. SMOTHER FLAMES with a close-fitting lid, cookie sheet, or metal tray, then turn off the burner. BE CAREFUL TO PREVENT BURNS. If the flames do not go out immediately, EVACUATE AND CALL THE FIRE DEPARTMENT.
2. NEVER PICK UP A FLAMING PAN - You may be burned.
3. DO NOT USE WATER, including wet dishcloths or towels - violent steam explosion will result.
4. Use an extinguisher ONLY if:
  - A. You know you have a Class ABC extinguisher and you already know how to operate it.
  - B. The fire is small and contained in the area where it started.
  - C. The fire department is being called.
  - D. You can fight the fire with your back to an exit.

\* Based on "Kitchen Fire Safety Tips" published by NFPA.

#### CAUTION

1. To reduce risk of fire and to properly exhaust air, be sure to duct air outside. Do not vent exhaust air into spaces within walls or ceilings or into attics, crawl spaces, or garages.
2. Take care when using cleaning agents or detergents.
3. Avoid using food products that produce flames under the Range Hood.
4. For general ventilating use only. Do not use to exhaust hazardous or explosive materials and vapors.
5. To avoid motor bearing damage and noisy and/or unbalanced impellers, keep drywall spray, construction dust, etc. off power unit.
6. Your hood motor has a thermal overload which will automatically shut off the motor if it becomes overheated. The motor will restart when it cools down. If the motor continues to shut off and restart, have the hood serviced.
7. For best capture of cooking impurities, the bottom of the hood should be a minimum of 24" and a maximum of 30" above the cooking surface. See "Install Mounting Bracket" section for mounting restrictions.
8. Two installers are recommended because of the large size and weight of this hood.
9. Use with approved cord-connection kit only.
10. Please read specification label on product for further information and requirements.

## OPERATION

### Controls

The hood is operated using the (5) push-buttons located at eye-level, on the front edge of the hood.

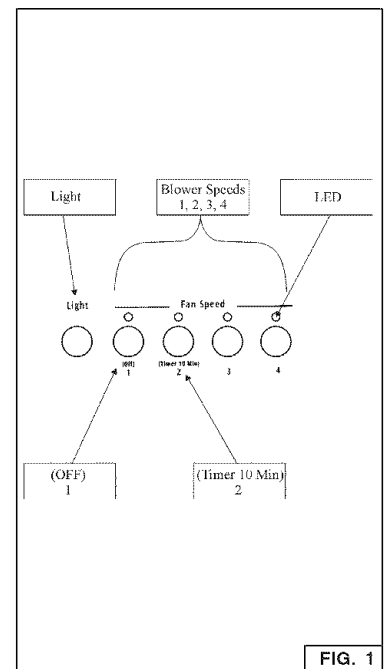
The **light switch** turns the halogen lights on and off. Push the light switch once to turn the lights ON - push a second time to turn the lights ON to a brighter level - push a third time to turn the lights OFF.

The **blower on-off / speed 1** switch turns the blower on to its lowest running speed. To turn OFF the blower, push in and hold this blower switch for approximately 2 seconds.

The **blower speed 2** switch turns the blower on to medium-low running speed. Pressing this switch a second time sets a timer which keeps the blower operating at this speed for 10 minutes. The **LED** will blink during this time and the blower will shut off automatically.

The **blower speed 3 and blower speed 4** switches operate the same as blower speed 2 switch except: Blower speed 3 is medium-high and blower speed 4 is high.

After every 30 hours of operation, the LED above the "blower speed 1 switch" will be illuminated (RED) and blink for 30 seconds after turning off the blower. This is a reminder to clean the grease filters. Once the grease filters are cleaned and installed, press in and hold the "light switch" button for approximately 2 seconds during the blink of the LED.



## HALOGEN BULBS

This range hood requires 4 halogen bulbs (Type JC, 12Volt, 20Watt Max, G-4 Base).

**WARNING:** Always switch off the electrical supply before carrying out any operation on the appliance.

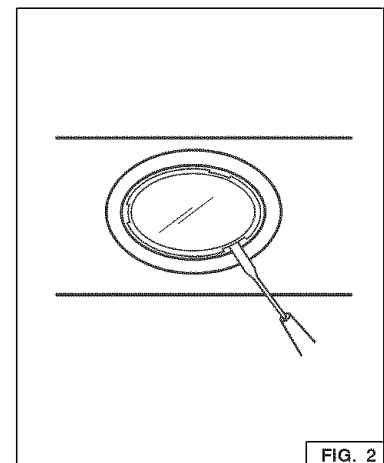
To change bulbs:

1. Open the cover by prying from the proper slots.
2. Remove the bulb by pulling sideways. (DO NOT ROTATE).

**CAUTION:** Bulb may be hot.

3. Replace with Type JC, 12Volt, 20 Watt Max, G-4 Base halogen bulb. Do not touch replacement bulb with bare hands!

**CAUTION:** Use of bulbs greater than 20 watts will cause the fuse to open.



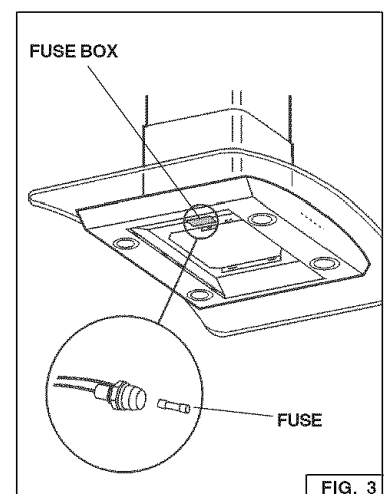
## FUSE REPLACEMENT

**IF LIGHTS FAIL TO OPERATE, DISCONNECT POWER AT THE SERVICE ENTRANCE. CHECK THE FUSE AND REPLACE IF NECESSARY.**

1. Remove the grease filters.
2. Open the fuse box. Fig. 3.
3. Unscrew the cap from the fuse holder and remove the fuse.
4. Replace the fuse with the same size and amperage (5 x 20mm, 4 amp, 125 volt).

**CAUTION:** Use of a fuse greater than 4 amps may damage the transformer.

5. Reinstall the fuse holder cap.
6. Reconnect power at the service entrance.



## MAINTENANCE

Proper maintenance of the Range Hood will assure proper performance of the unit.

### Grease Filters

The **grease filters** should be cleaned frequently. Use a warm detergent solution. Grease filters are dishwasher safe. See "INSTALL FILTERS" section for removal and installation instructions.

### Non-Ducted Recirculation Filter

The non-ducted recirculation filter should be changed every 6 months. See "INSTALL FILTERS" section for removal and installation instructions.

### Hood Cleaning

Stainless steel is one of the easiest materials to keep clean. Occasional care will help preserve its fine appearance. Cleaning tips:

- Hot water with soap or detergent is all that is usually needed.
- Follow all cleaning by rinsing with clear water. Wipe dry with a clean, soft cloth to avoid water marks.
- For discolorations or deposits that persist, use a non-scratching household cleanser or stainless steel polishing powder with a little water and a soft cloth.
- For stubborn cases, use a plastic scouring pad or soft bristle brush together with cleanser and water. Rub lightly in direction of polishing lines or "grain" of the stainless finish. Avoid using too much pressure which may mar the surface.
- **DO NOT** allow deposits to remain for long periods of time.
- **DO NOT** use ordinary steel wool or steel brushes. Small bits of steel may adhere to the surface causing rust.
- **DO NOT** allow salt solutions, disinfectants, bleaches, or cleaning compounds to remain in contact with stainless steel for extended periods. Many of these compounds contain chemicals which may be harmful. Rinse with water after exposure and wipe dry with a clean cloth.

Painted surfaces should be cleaned with warm water and mild detergent only.

## PREPARE THE HOOD

Unpack hood and check contents.

You should receive:

- 1 - Hood
- 1 - Decorative Flue Assembly
- 1 - Support Frame
- 1 - Parts Bag containing:
  - 1 - Support Frame Bracket
  - 1 - Discharge Collar
  - 4 - Mounting Screws (6 x 70)
  - 14 - Mounting Screws (3,9 x 9,5mm Pan Head)
  - 2 - Mounting Screws (2,9 x 9,5mm Pan Head)
  - 4 - Washers D.6.4mm
  - 6 - Serrated Washers
  - 1 - Wiring Box Cover
  - 1 - Wire Clamp
- 1 - Installation Instructions
- 1 - Warranty Card

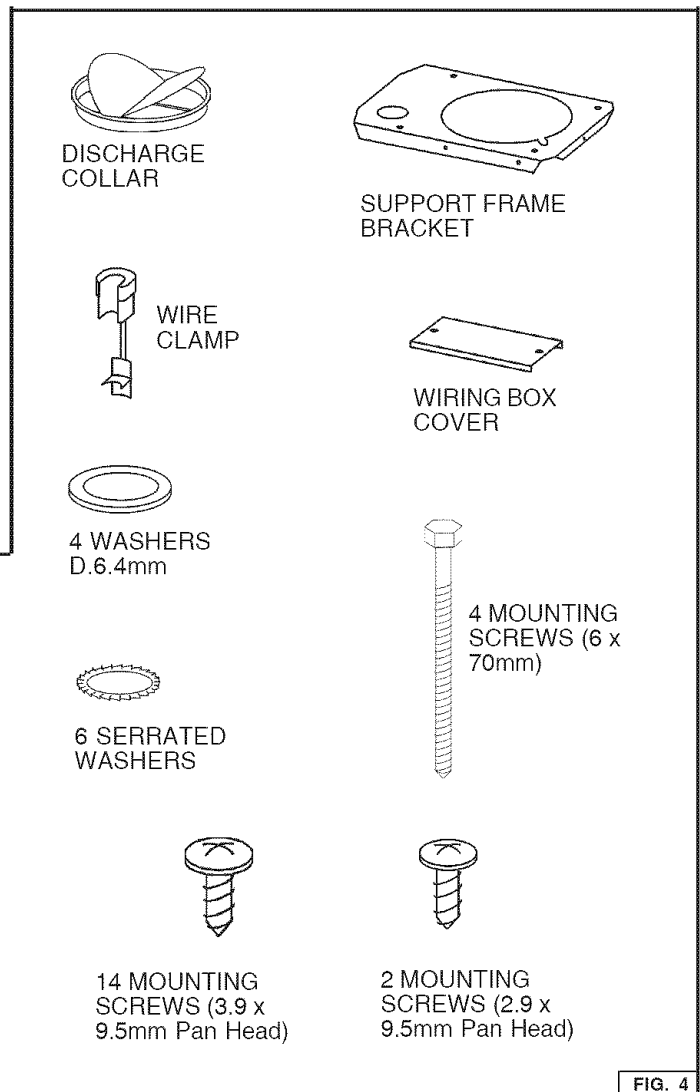


FIG. 4

## INSTALL THE DUCTWORK

(DUCTED HOODS ONLY)

**CAUTION:** To reduce the risk of fire, use only metal ductwork.

1. Decide where the ductwork will run between the hood and the outside.
2. A straight, short duct run will allow the hood to perform most efficiently.
3. Long duct runs, elbows, and transitions will reduce the performance of the hood. Use as few of them as possible. Larger ducting may be required for best performance with longer duct runs.
4. Install a roof or wall cap. Connect round metal ductwork to cap and work back towards hood location. Use duct tape to seal the joints between ductwork sections.

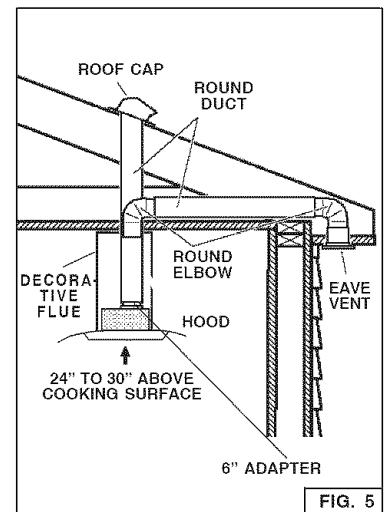


FIG. 5

## INSTALL SUPPORT SYSTEM

1. At hood location, install 2 X 4 **cross framing** between **ceiling joists** using dimensions shown.
2. Finish the ceiling surface. Be sure to mark the location of the ceiling joists and cross framing.
3. Secure the support frame bracket to joists and cross framing with four screws provided (6x70mm) and four washers (D. 6.4mm). Make sure screws are driven into center of joists and framing for maximum strength. Be careful, because the position of the bracket determines the final position of the apparatus: the side with the slot B corresponds to the side opposite the controls. Fig. 6.
4. Fix the support frame to the support frame bracket with (4) 3.9x9.5mm mounting screws. Fig. 7.
5. Adjust the overall height of the support frame. Loosen and re-tighten the 4 screws in the **height adjustment slots** as necessary.

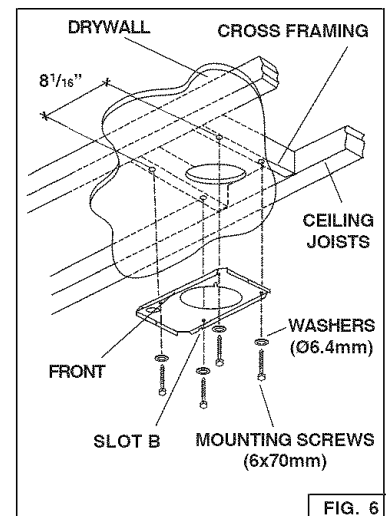


FIG. 6

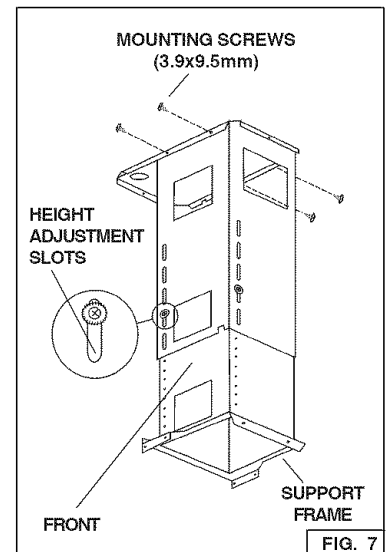


FIG. 7

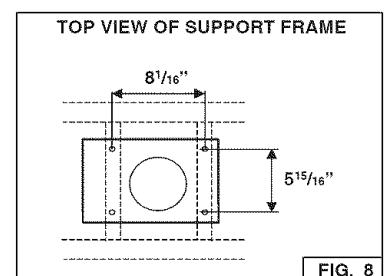


FIG. 8

## PREPARE THE HOOD

### (DUCTED AND NON-DUCTED HOODS)

Fix the electrical mounting plate with (2) 3.9x9.5mm screws and (2) serrated washers. Fig. 9.

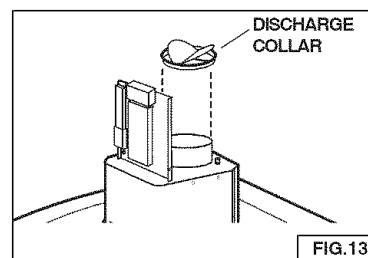
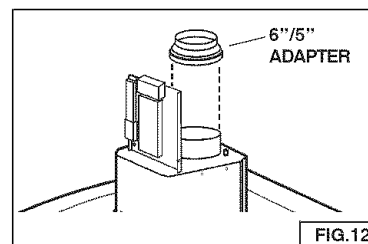
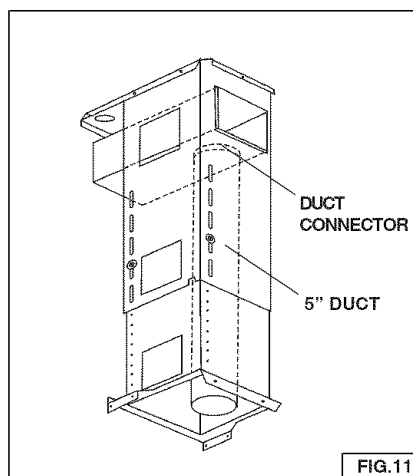
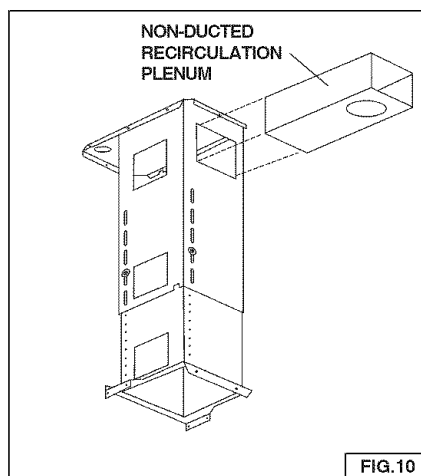
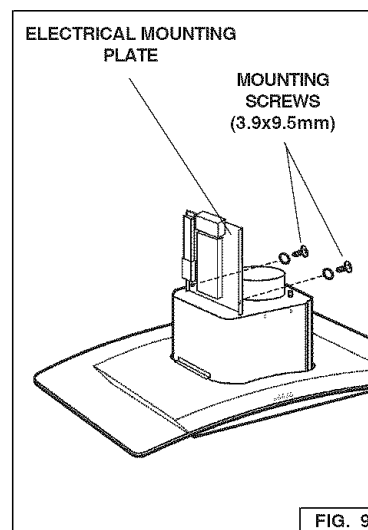
### (NON-DUCTED HOODS ONLY)

Purchase a Non-ducted recirculation KIT from your dealer (Model DFKTPC40EC).

1. Insert the non-ducted recirculation plenum through the support frame openings. Fig. 10.
2. Through the support frame openings fit the duct connector to the plenum locking it with a turning movement. Fig. 11.
3. Fix a 5" duct to the duct connector of the non-ducted recirculation plenum. Fig.11.
4. Mount the 6"/5" adapter above hood. Fig. 12.

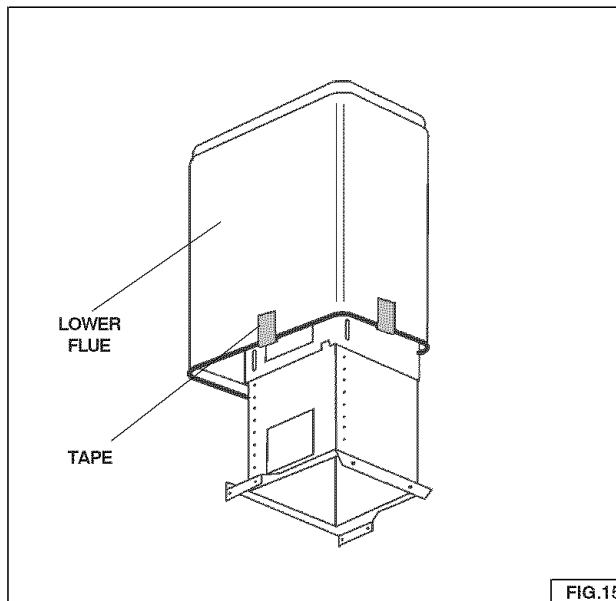
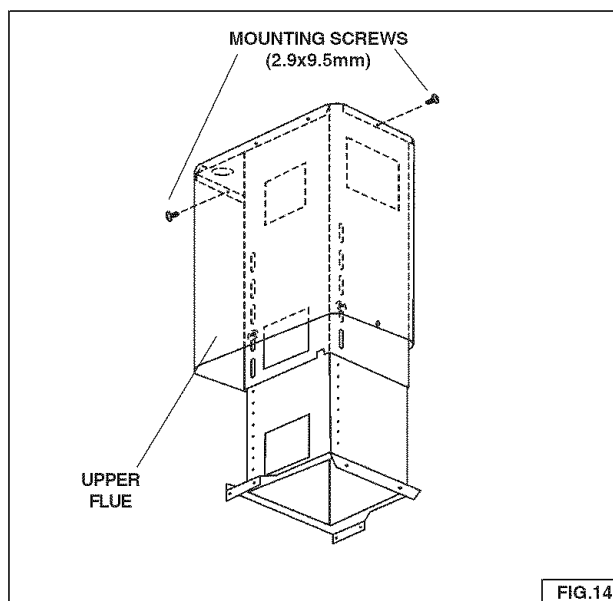
### (DUCTED HOODS ONLY)

Mount the discharge collar above the hood. Fig. 13.



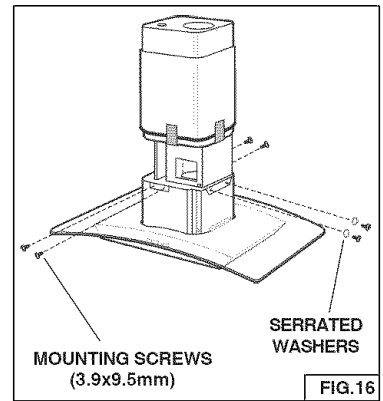
## CONNECT DECORATIVE FLUE

1. Secure the **upper flue** to the upper support frame with the mounting screws (2.9x9.5mm). Fig. 14.
2. Insert the **lower flue** moving it completely towards the top and fix it temporarily with a tape. Fig. 15.



## INSTALL THE HOOD

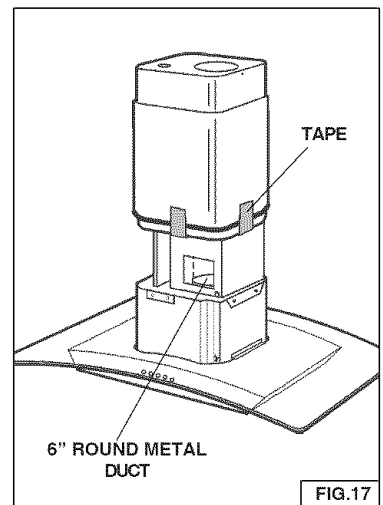
Fix the hood to the support frame with (6) 3.9x9.5mm mounting screws and (2) serrated washers.



## CONNECT DUCTWORK

### (DUCTED HOODS ONLY)

1. Use **6" round metal duct** to connect the discharge collar on the hood to the ductwork above.
2. Use duct tape to make all joints secure and air tight.
3. Remove the tape from the lower flue and set it in place on the hood.



## INSTALL FILTERS

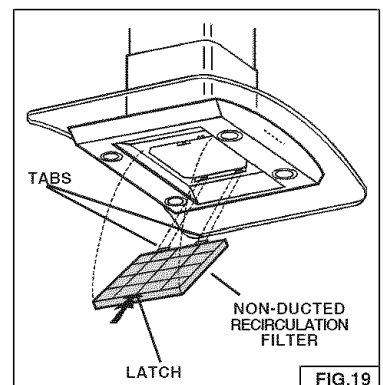
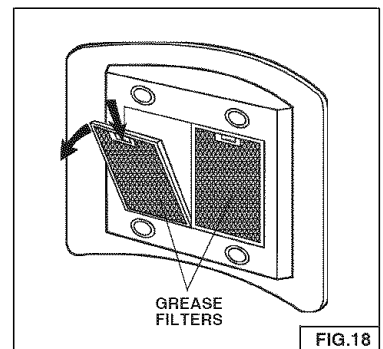
### (DUCTED AND NON-DUCTED HOODS)

1. To remove the GREASE filter, push in on the metal latch tab and tilt filter downward to remove.
2. To install the GREASE filter, align rear filter tabs with slots in the hood. Depress the metal latch tab, push filter into position and release. Make sure filter is securely engaged after installation.

NOTE: Prior to use, remove protective film from the filter frame.

### (NON-DUCTED HOODS ONLY)

1. To remove the CHARCOAL filter, push in on the front filter latch. Pull the filter down to disengage the rear filter tabs.
2. To install the CHARCOAL filter, align the rear filter tabs with slots in the hood. Push the filter up into place until the front latch snaps securely into the slot. Make sure the filter is securely engaged after assembly.
3. Install GREASE filter after charcoal filter is installed.



## WIRING

**Note: Electrical wiring must be done by a qualified person(s) in accordance with all applicable codes and standards. This range hood must be properly grounded. Turn off electrical power at service entrance before wiring.**

1. Remove the (2) screws of the upper flue and move the upper flue towards the bottom.
2. Feed 6" of power cable through the top opening of the support frame bracket (installed on ceiling) and into the wiring box. For the Non-Ducted Hoods, do not use the upper hole of the wiring box.  
Secure cable to the wiring box using an appropriate connector.
3. Feed the range hoods power cable through the lower hole of the wiring box (use a wire clamp located in the Hardware Package).
4. Make electrical connections. Wire white-to-white, black-to-black and green-to-green.
5. Push all wiring inside the wiring box. Install the wiring box cover with (2) 3.9x9.5mm screws and (2) serrated washers making sure wires are not pinched.
6. Tuck excess power cable inside the flue.
7. Reinstall the upper flue.

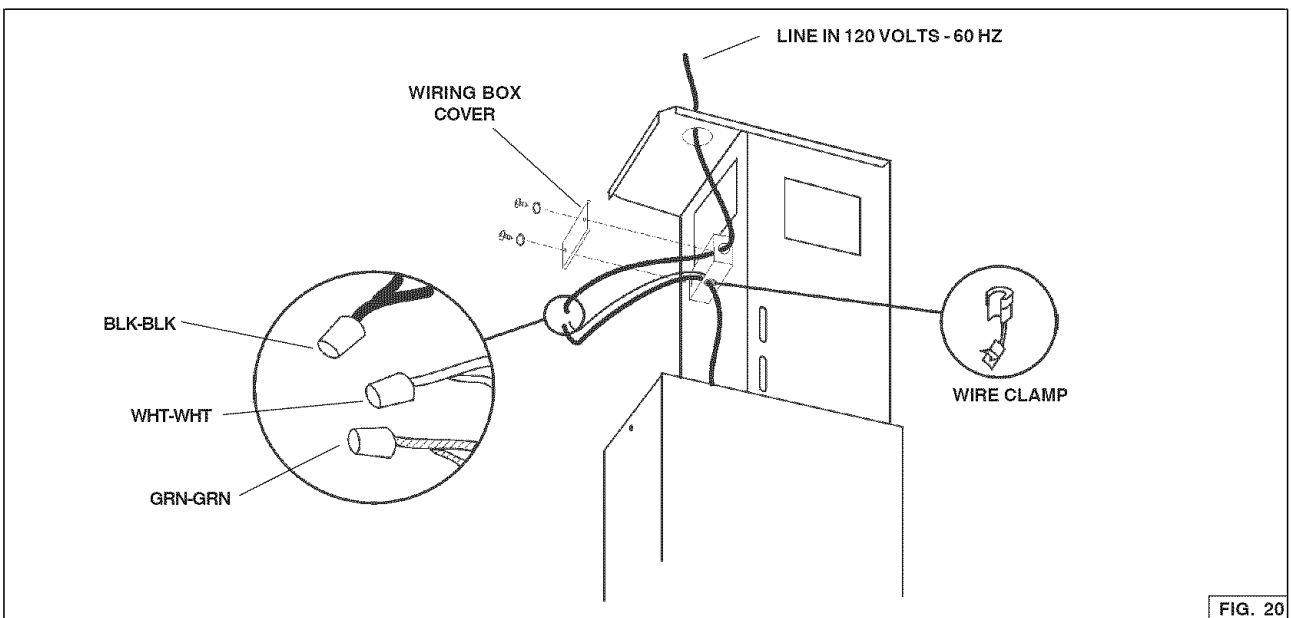


FIG. 20

# Major Appliance Warranty Information

Your appliance is covered by a one year limited warranty. For one year from your original date of purchase, Electrolux will pay all costs for repairing or replacing any parts of this appliance that prove to be defective in materials or workmanship when such appliance is installed, used and maintained in accordance with the provided instructions.

## Exclusions

### This warranty does not cover the following:

1. Products with original serial numbers that have been removed, altered or cannot be readily determined.
2. Product that has been transferred from its original owner to another party or removed outside the USA or Canada.
3. Rust on the interior or exterior of the unit.
4. Products purchased "as-is" are not covered by this warranty.
5. Food loss due to any refrigerator or freezer failures.
6. Products used in a commercial setting.
7. Service calls which do not involve malfunction or defects in materials or workmanship, or for appliances not in ordinary household use or used other than in accordance with the provided instructions.
8. Service calls to correct the installation of your appliance or to instruct you how to use your appliance.
9. Expenses for making the appliance accessible for servicing, such as removal of trim, cupboards, shelves, etc., which are not a part of the appliance when it is shipped from the factory.
10. Service calls to repair or replace appliance light bulbs, air filters, water filters, other consumables, or knobs, handles, or other cosmetic parts.
11. Surcharges including, but not limited to, any after hour, weekend, or holiday service calls, tolls, ferry trip charges, or mileage expense for service calls to remote areas, including the state of Alaska.
12. Damages to the finish of appliance or home incurred during installation, including but not limited to floors, cabinets, walls, etc.
13. Damages caused by: services performed by unauthorized service companies; use of parts other than genuine Electrolux parts or parts obtained from persons other than authorized service companies; or external causes such as abuse, misuse, inadequate power supply, accidents, fires, or acts of God.

### DISCLAIMER OF IMPLIED WARRANTIES; LIMITATION OF REMEDIES

CUSTOMER'S SOLE AND EXCLUSIVE REMEDY UNDER THIS LIMITED WARRANTY SHALL BE PRODUCT REPAIR OR REPLACEMENT AS PROVIDED HEREIN. CLAIMS BASED ON IMPLIED WARRANTIES, INCLUDING WARRANTIES OF MERCHANTABILITY OR FITNESS FOR A PARTICULAR PURPOSE, ARE LIMITED TO ONE YEAR OR THE SHORTEST PERIOD ALLOWED BY LAW, BUT NOT LESS THAN ONE YEAR. ELECTROLUX SHALL NOT BE LIABLE FOR CONSEQUENTIAL OR INCIDENTAL DAMAGES SUCH AS PROPERTY DAMAGE AND INCIDENTAL EXPENSES RESULTING FROM ANY BREACH OF THIS WRITTEN LIMITED WARRANTY OR ANY IMPLIED WARRANTY. SOME STATES AND PROVINCES DO NOT ALLOW THE EXCLUSION OR LIMITATION OF INCIDENTAL OR CONSEQUENTIAL DAMAGES, OR LIMITATIONS ON THE DURATION OF IMPLIED WARRANTIES, SO THESE LIMITATIONS OR EXCLUSIONS MAY NOT APPLY TO YOU. THIS WRITTEN WARRANTY GIVES YOU SPECIFIC LEGAL RIGHTS. YOU MAY ALSO HAVE OTHER RIGHTS THAT VARY FROM STATE TO STATE.

### If You Need Service

Keep your receipt, delivery slip, or some other appropriate payment record to establish the warranty period should service be required. If service is performed, it is in your best interest to obtain and keep all receipts. Service under this warranty must be obtained by contacting Electrolux at the addresses or phone numbers below.

This warranty only applies in the USA and Canada. In the USA, your appliance is warranted by Electrolux Major Appliances North America, a division of Electrolux Home Products, Inc. In Canada, your appliance is warranted by Electrolux Canada Corp. Electrolux authorizes no person to change or add to any obligations under this warranty. Obligations for service and parts under this warranty must be performed by Electrolux or an authorized service company. Product features or specifications as described or illustrated are subject to change without notice.

**USA**  
**1.800.944.9044**  
Electrolux Major Appliances  
North America  
P.O. Box 212378  
Augusta, GA 30907



**Canada**  
**1.800.668.4606**  
Electrolux Canada Corp.  
5855 Terry Fox Way  
Mississauga, Ontario, Canada  
L5V 3E4

## LISEZ ET CONSERVEZ CES INSTRUCTIONS

### SEULEMENT POUR UTILISATION DOMESTIQUE

#### AVERTISSEMENTS

##### **POUR REDUIRE LES RISQUES D'INCENDIE, DE DECHARGES ELECTRIQUES OU DE DOMMAGES AUX PERSONNES, OBSERVEZ LES INSTRUCTIONS SUIVANTES:**

1. N'utilisez cet appareil que comme cela est indiqué par le constructeur. Si vous avez des problèmes, contactez le fabricant à l'adresse ou au numéro de téléphone indiqués dans la garantie.
2. Avant de pouvoir à l'entretien ou au nettoyage de votre appareil, éteignez-le au tableau des commandes ou bloquez le tableau des commandes afin d'éviter de le mettre en marche accidentellement. Si vous ne pouvez pas bloquer le système permettant d'éteindre votre appareil, appliquez un avertissement extérieur d'une façon sûre, comme par exemple un panneau, sur le tableau des commandes.
3. L'assemblage et la connexion électrique doivent être faits par des personnes qualifiées en respectant les normes et règlements en vigueur, y compris les normes et règlements concernant les possibilités d'incendie.
4. Il est indispensable qu'il y ait suffisamment d'air pour que la combustion et l'évacuation des gaz à travers le tuyau du brûleur du combustible ait lieu sans retour de flamme. Suivez les indications données par le fabricant du brûleur ainsi que les normes de sécurité comme celles qui sont publiées par l'Association Nationale pour la Protection contre les Incendies National Fire Protection Association (NFPA) et la American Society for Heating, Refrigeration and Air Conditioning Engineers (ASHRAE), et les autorités locales en matière de normes.
5. Quand vous coupez ou percez des trous dans le mur ou le plafond, n'abîmez pas les fils électriques ou autres.
6. Le ventilateur canalisé doit toujours évacuer l'air vers l'extérieur.
7. N'utilisez pas cet appareil avec un appareil contrôlant la vitesse à état solide.
8. Afin de diminuer tout risque d'incendie n'utilisez que des conduits en métal.
9. Votre appareil doit être relié à la terre.

##### **ATTENTION - POUR REDUIRE LES RISQUES D'INCENDIE DES MATIERES GRASSES QUI SONT EN TRAIN DE CUIRE:**

- A. Ne laissez jamais ni vos éléments chauffants, ni vos casseroles ou poêles sur le feu sans les contrôler si vous réglez l'apport de chaleur sur une position élevée. Si vos casseroles ou poêles débordent cela provoque de la vapeur et des éclaboussures de graisse qui peuvent prendre feu. Chauffez les huiles lentement à feu bas ou moyen.
- B. Faites toujours fonctionner votre hotte quand vous cuisez à des températures élevées ou quand vous cuisinez des plats flambés. (par ex. crêpes Suzette, Cerises "Jubilé", Steak au poivre flambé).
- C. Nettoyez régulièrement les ailes de vos ventilateurs. Ne permettez pas que la graisse s'accumule sur le ventilateur ou sur le filtre.
- D. Utilisez des casseroles de taille appropriée. Utilisez toujours des ustensiles de cuisson dont la taille est appropriée à la surface de votre élément de cuisson.

#### AVERTISSEMENTS

##### **POUR REDUIRE LES RISQUES DE DOMMAGES AUX PERSONNES AU CAS OÙ VOTRE CUISINIÈRE PRENDRAIT FEU, OBSERVEZ LES INSTRUCTIONS SUIVANTES:\***

1. ÉTEINDRE LES FLAMMES à l'aide d'un couvercle le plus hermétique possible, une plaque à gâteaux, ou un plateau en métal, puis éteindre le brûleur. ATTENTION à NE PAS VOUS BRÛLER. Si les flammes ne s'éteignent pas immédiatement, SORTEZ ET APPELEZ LES POMPIERS.
2. NE PRENEZ JAMAIS EN MAIN UNE POÊLE OU UNE CASSEROLE QUI A PRIS FEU - Vous pourriez vous brûler.
3. N'UTILISEZ PAS D'EAU, ni torchons ou serviettes mouillés - vous provoqueriez une violente explosion de vapeur.
4. Utilisez un extincteur SEULEMENT si:
  - A. Vous savez que vous avez un extincteur Classe ABC, et vous en connaissez déjà le mode d'emploi.
  - B. Ce n'est pas un très gros incendie et qu'il se limite à l'endroit où il a explosé.
  - C. Vous êtes en train d'avertir les pompiers.
  - D. Vous avez la possibilité d'essayer d'éteindre l'incendie en ayant le dos tourné vers une issue.

\* D'après les "Suggestions concernant la Sécurité contre les incendies des cuisines" publiées par NFPA.

#### ATTENTION

1. Pour réduire tout risque d'incendie et pour évacuer correctement l'air, assurez-vous de prévoir un conduit de ventilation extérieur. Ne videz pas l'air dans les espaces limités par des murs ou des plafonds, les combles, les passages étroits ou les garages.
2. Faites très attention quand vous utilisez des produits de nettoyage ou des détergents.
3. Évitez d'utiliser des aliments pouvant s'enflammer sous la Range Hood.
4. N'utilisez cet appareil que pour une ventilation générale. Ne l'utilisez pas pour évacuer des matières ou des vapeurs dangereuses ou qui peuvent exploser.
5. Pour éviter de causer des dommages au moteur et de rendre les rotors bruyants et/ou non équilibrés, évitez que les sprays pour murs secs, la poussière de construction entrent en contact avec la partie électrique.
6. Le moteur de votre hotte a un thermostat qui éteindra automatiquement le moteur s'il est surchauffé. Le moteur se remettra en marche lorsqu'il se sera refroidi. Si le moteur continue à s'éteindre et à se remettre en marche, faites vérifier votre hotte.
7. Pour mieux capturer les impuretés de cuisine, le bas de votre hotte devrait être à une distance minimum de 24" et à une distance maximum de 30" au-dessus du plan de cuisson. Voir la section "Installation etrier d'assemblage" pour les restrictions de montage.
8. Vu que cette hotte est grande et lourde, il est recommandé de confier l'installation de cette hotte à deux personnes.
9. Utiliser uniquement avec un kit de connexion pour alimentation homologué.
10. Nous vous recommandons de lire l'étiquette indiquant les caractéristiques de votre hotte pour de plus amples informations et exigences.

## FONCTIONNEMENT

### Commandes

Votre hotte fonctionne grâce aux (5) boutons sur lesquels vous devez appuyer et qui se trouvent à la hauteur de vos yeux, sur le devant de votre hotte.

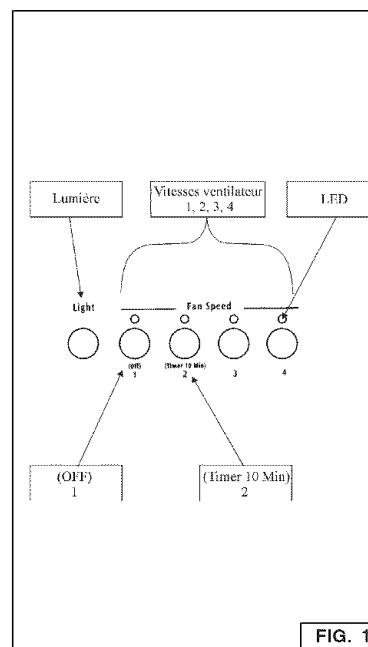
Le **bouton de la lumière** allume et éteint les lampes halogènes. En pressant 1 fois la touche, la lumière s'allume au 1<sup>er</sup> niveau; en pressant 2 fois la touche, la lumière du 2<sup>ème</sup> niveau s'allume (éclairage plus intense); en pressant encore une fois la touche, la lumière s'éteint.

Le **bouton ON/OFF vitesse 1** du ventilateur fait fonctionner le ventilateur à la vitesse la plus basse. Vous éteignez le ventilateur appuyant sur le bouton pendant 2 secondes environ.

Le **bouton deuxième vitesse** fait fonctionner le ventilateur à une vitesse moyennement basse. En appuyant une deuxième fois sur ce bouton vous faites fonctionner un timer qui fera fonctionner le ventilateur à cette vitesse pendant 10 minutes. Le voyant lumineux clignotera pendant tout ce temps et le ventilateur s'arrêtera automatiquement.

Les **boutons du ventilateur 3ème et 4ème vitesse** font fonctionner ce dernier comme le bouton deuxième vitesse avec la différence que le bouton 3ème vitesse est une vitesse moyennement élevée et le bouton 4ème vitesse est une vitesse élevée.

Au bout d'environ 30 heures de fonctionnement, le LED rouge du "Bouton -vitesse 1" se mette à clignoter; cela indique que les filtres anti-graisse doivent être nettoyés. Après avoir remonté les filtres anti-graisse propres, appuyez sur le bouton de la lumière pendant 2 secondes environ, au même temps les voyants lumineux clignotent



## AMPOULES HALOGENES

Ce modèle de hotte veut 4 ampoules halogènes (Type JC, 12Volt, 20Watt Max, G-4 Base).

**ATTENTION: Avant de procéder à quelconque opération, débranchez l'appareil.**

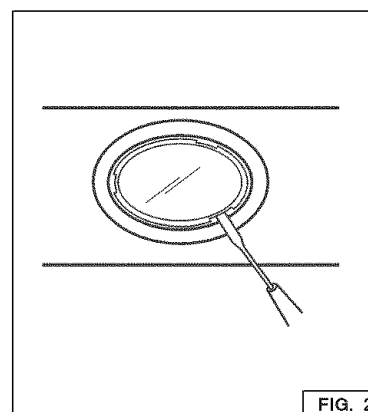
Pour changer les ampoules:

1. Ouvrez le couvercle en faisant levier grâce aux fissures prévues à cet effet.
2. Enlevez l'ampoule en tirant des deux côtés. (NE PAS FAIRE TOURNER).

**ATTENTION : L'ampoule peut être chaude.**

3. Remplacer par une ampoule ayant les mêmes caractéristiques (JC, 12Volt, 20Watt Max, G-4 Base). Ne touchez pas l'ampoule de remplacement à main nue!

**ATTENTION : L'utilisation d'ampoules supérieures à 20 watts ouvrira le fusible.**



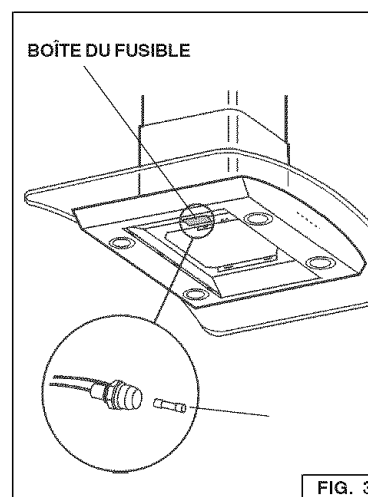
## REMPLACEMENT FUSIBLE

**SI LA LUMIÈRE NE FONCTIONNE PAS, DÉCONNECTEZ LA PUISSANCE À L'ENTRÉE DU BRANCHEMENT. VÉRIFIEZ LE FUSIBLE ET REMPLACEZ-LE SI NÉCESSAIRE.**

1. Enlever les filtres à graisse.
2. Ouvrir la boîte du fusible. Fig. 3.
3. Dévissez le capot du support du fusible et retirez le fusible.
4. Remplacez le fusible par un fusible de même taille et de même intensité (5 x 20 mm, 4 amp, 125 volts).

**ATTENTION : L'utilisation d'un fusible supérieur à 4 amps peut endommager le transformeur.**

5. Réinstallez le capot du support du fusible.
6. Reconnectez l'alimentation à l'entrée du branchement.



## ENTRETIEN

Un bon entretien de votre hotte garantira une excellente performance.

### Filtres à graisse

Les **filtres à graisse** devront être fréquemment nettoyés. Utilisez une solution à base de détergent tiède. Les filtres à graisse peuvent aller au lave-vaisselle.

Voir la section "INSTALLATION DES FILTRES" pour les instructions d'installation et de retrait.

### Filtres à charbon (Configurations non carénées)

Le filtre à charbon devra être changé tous les 6 mois.

Voir la section "INSTALLATION DES FILTRES" pour les instructions d'installation et de retrait.

### Nettoyage de votre hotte

L'acier inoxydable est une des matières les plus faciles à nettoyer. Un entretien de temps en temps permettra de le conserver en parfait état. Conseils pour le nettoyage:

- Eau chaude et savon ou détergent est tout ce qui est normalement nécessaire.
- Après chaque nettoyage, rincez bien à l'eau claire. Essuyez avec un chiffon propre et doux afin d'éviter les taches d'eau.
- Si des décolorations ou des dépôts persistent, utilisez un nettoyant domestique non abrasif ou de la poudre pour l'acier inoxydable et un peu d'eau et un chiffon doux.
- Dans les cas difficiles, utilisez une éponge en plastique ou une brosse douce avec du nettoyant et de l'eau. Frottez légèrement en suivant la direction du polissage ou du "grain" de l'acier inoxydable. Evitez de frotter trop fort afin de ne pas abîmer la surface.
- **NE LAISSEZ PAS** les taches trop longtemps.
- **N'UTILISEZ PAS** de laines d'acier ordinaires ou des brosses en acier. Des débris d'acier pourraient adhérer à la surface et causer de la rouille.
- **NE PERMETTEZ PAS** que des solutions salées, des désinfectants, des blanchissants ou des produits nettoyants restent en contact avec l'acier pendant longtemps. Beaucoup de ces produits contiennent des produits chimiques qui pourraient causer des dommages. Rincez à l'eau immédiatement s'ils entrent en contact et essuyez avec un chiffon humide.

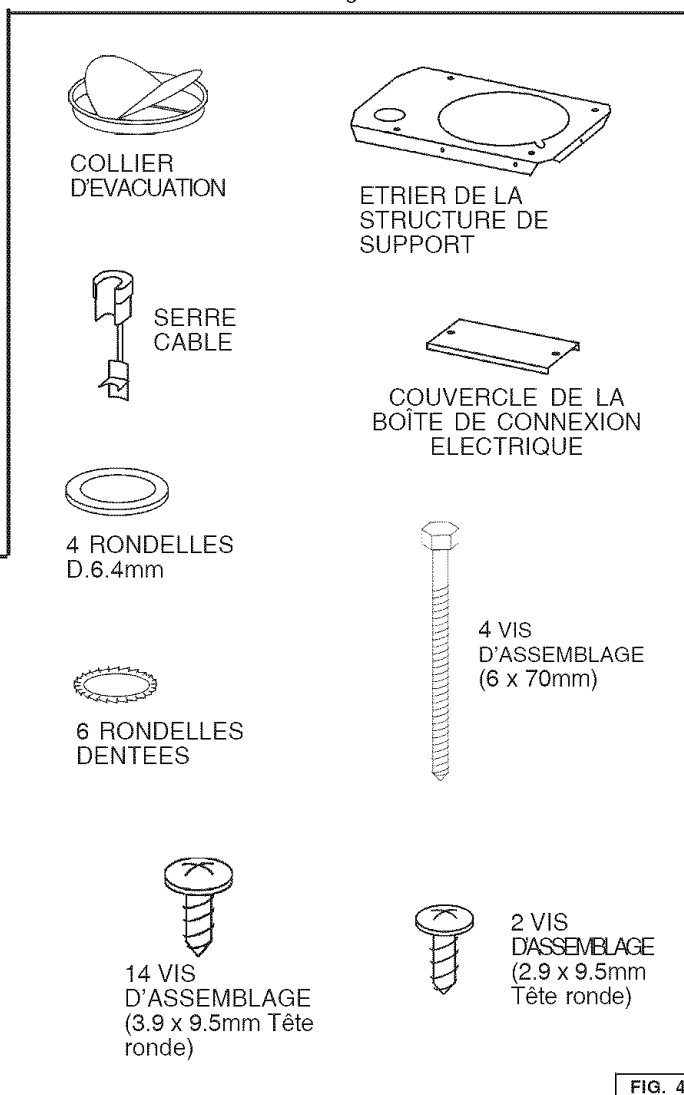
Les surfaces peintes doivent être nettoyées avec de l'eau tiède additionnée d'un détergent doux seulement.

## PREPAREZ LA HOTTE

Enlever la hotte dans l'emballage et contrôler le contenu.

Vous devez recevoir :

- 1 - Hotte
- 1 - Conduit décoratif
- 1 - Structure de support
- 1 - Sachet avec:
  - 1 - Etrier de la structure de support
  - 1 - Collier d'évacuation
  - 4 - Vis d'assemblage (6 x 70)
  - 14 - Vis d'assemblage (3,9 x 9,5mm Tête ronde)
  - 2 - Vis d'assemblage (2,9 x 9,5mm Tête ronde)
  - 4 - Rondelles D.6.4mm
  - 6 - rondelles dentées
  - 1 - Couvercle boîte de connexion électrique
  - 1 - Serre câble
- 1 - Instructions pour l'installation
- 1 - Garantie

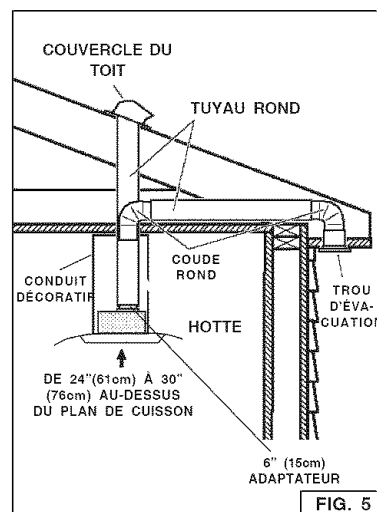


## INSTALLATION DU SYSTEME D'EVACUATION

### (HOTTES CARÉNÉES)

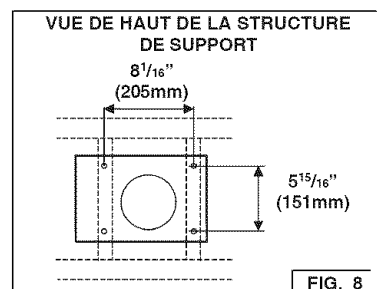
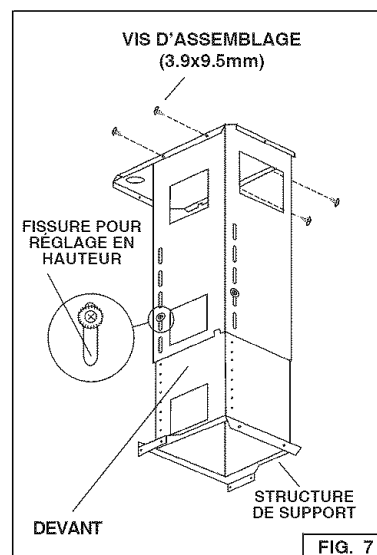
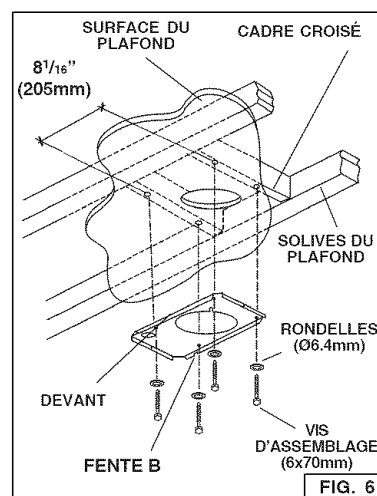
**⚠ ATTENTION:** Pour réduire les risques d'incendie, n'utilisez que des tuyaux en métal.

1. Décidez où le tuyau rond doit être installé, entre votre hotte et l'extérieur.
2. Un tuyau droit et court permettra à votre hotte de fonctionner d'une façon plus efficace.
3. Un tuyau long avec des coudes et des transitions réduira le bon fonctionnement de votre hotte. En utiliser le moins possible. Pour de longues utilisations, il faut un tuyau d'évacuation d'air ayant un diamètre plus large.
4. Installez un couvercle sur le toit ou au mur. Reliez un tuyau en métal rond au couvercle et faites-le aller jusqu'à l'emplacement de votre hotte. Rendez les jonctions du tuyau hermétiques au moyen d'un ruban pour tuyaux.



## INSTALLATION DU SYSTEME DE SUPPORT

1. Installez, à l'emplacement de votre hotte, un **cadre croisé** de 2 x 4 entre les **solives du plafond** en suivant les dimensions qui vous sont indiquées.
2. Perfectionnez la surface du plafond. Assurez-vous de bien marquer l'emplacement des solives et du cadre croisé au plafond.
3. Fixez l'étrier de la structure de support aux solives et au cadre croisé au moyen des quatre vis (6x70mm) et quatre rondelles (D-6.4mm) qui vous sont fournies. Assurez-vous que les vis soient bien centrées dans les solives et dans le cadre croisé de sorte que le tout soit bien solide. Faites attention car le positionnement de l'étrier détermine la position finale de l'appareil: le côté avec la fente B correspond au côté opposé aux commandes. Fig. 6.
4. Fixez la structure de support à l'étrier au moyens des (4) vis d'assemblage 3.9x9.5mm. Fig. 7.
5. Réglez la hauteur totale de la structure de support. Déserrez et resserrez les 4 vis dans les **fissures permettant de régler la hauteur** selon ce qui est nécessaire.



## PREPAREZ LA HOTTE

### (HOTTES CARÉNÉES ET NON-CARÉNÉES)

Fixez la plaque de l'installation électrique au moyens des (2) vis d'assemblage 3.9x9.5mm et (2) rondelles dentées. Fig. 9.

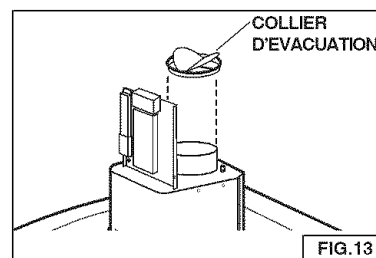
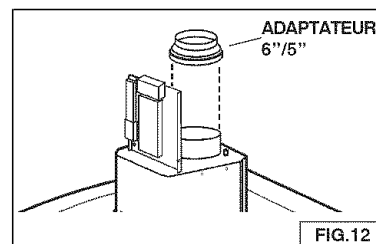
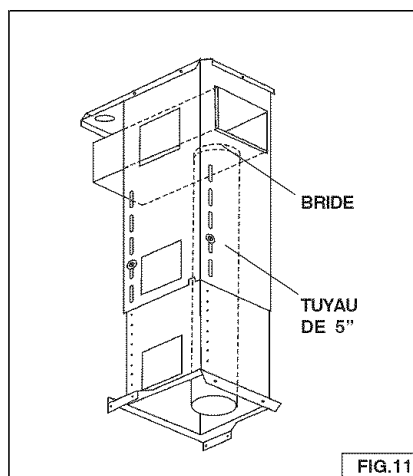
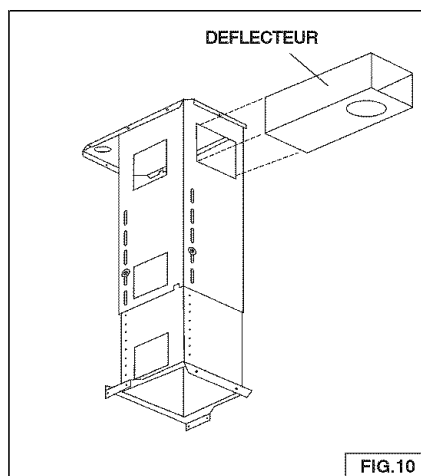
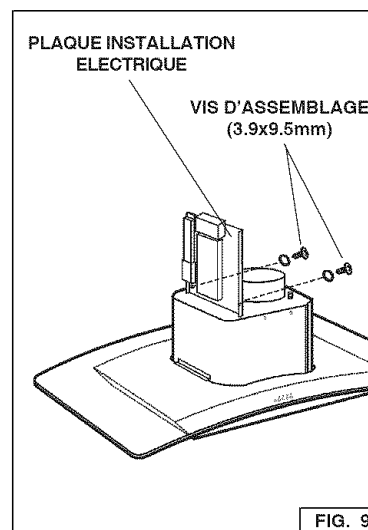
### (HOTTES NON-CARÉNÉES)

Procurez-vous un KIT version recyclant l'air (Modele DFKTPC40EC) chez votre fournisseur.

1. Enfiler le déflecteur d'air dans la structure de support. Fig. 10.
2. Par les ouvertures de la structure de support, montez la bride sur le déflecteur en le bloquant avec un mouvement rotatoire. Fig. 11.
3. Fixer un tuyau de 5" (125mm) à la bride du déflecteur. Fig. 11.
4. Monter l'adaptateur de 6"/5" sur la hotte. Fig. 12.

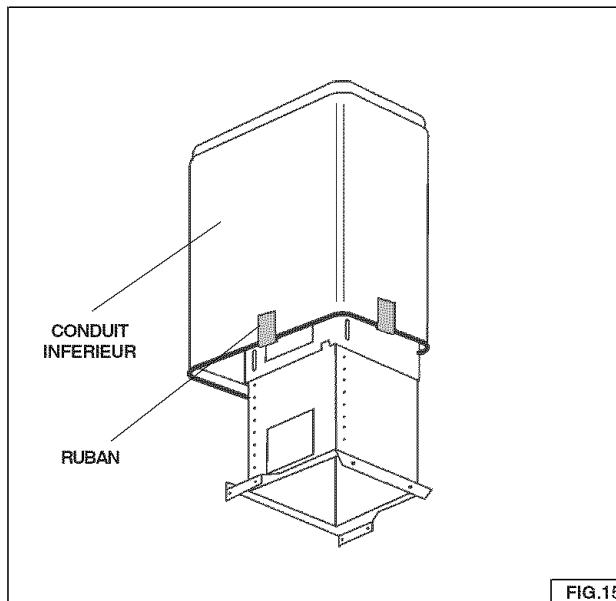
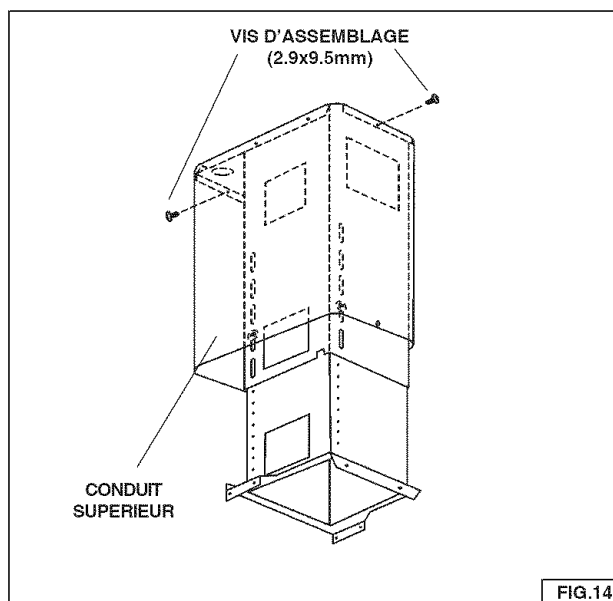
### (HOTTES CARENEES)

Montez le collier d'évacuation sur la hotte. Fig. 13.



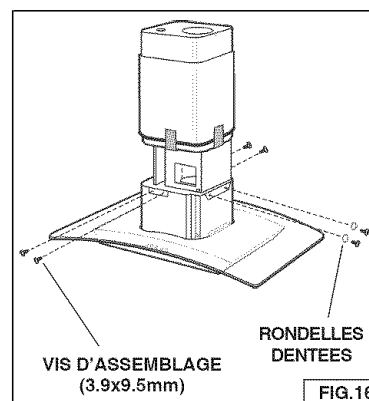
## ASSEMBLAGE DU CONDUIT DECORATIF

1. Fixez le **conduit supérieur** à la structure de support du haut avec les vis d'assemblage (2.9x9.5mm). Fig. 14.
2. Installer le **conduit inférieur** pour qu'il touche le plafond et le fixer provisoirement à l'aide du ruban. Fig. 15.



## INSTALLATION DE LA HOTTE

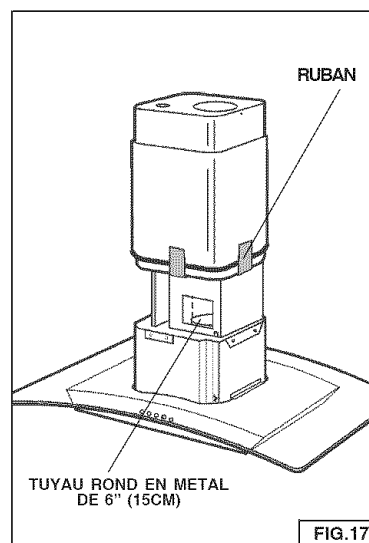
Fixez la hotte à la structure de support au moyen des (6) vis d'assemblage 3.9x9.5mm et de (2) rondelles dentées.



## CONNEXION DU SYSTEME D'EVACUATION

### (CONFIGURATIONS CARÉNÉES)

1. Reliez le collier d'évacuation qui se trouve sur votre hotte au système d'évacuation qui se trouve au-dessus au moyen d'un **tuyau rond en métal de 6" (15cm)**.
2. Utilisez du ruban pour tuyauterie afin de rendre toutes les jonctions sûres et étanches.
3. Enlever le ruban provisoire sur le conduit inférieur et poser le conduit sur la hotte.



## INSTALLATION DES FILTRES

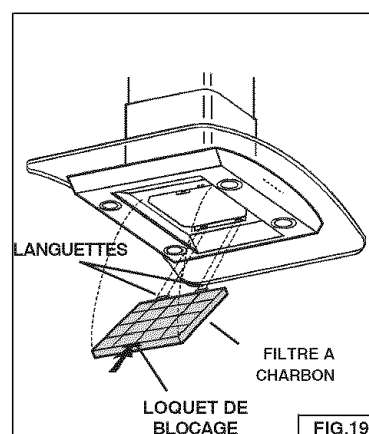
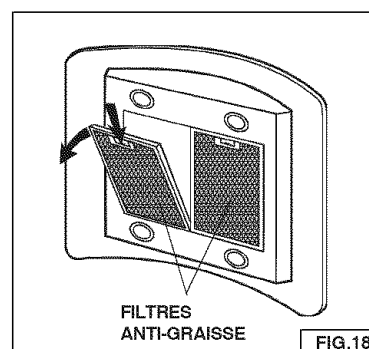
### (CONFIGURATIONS CARÉNÉES ET NON CARÉNÉES)

1. Pour retirer le filtre à GRAISSE, attrapez la languette du taquet et abaissez-la afin de dégager le filtre de la hotte.
2. Pour remettre le filtre à GRAISSE en place, alignez les languettes arrière du filtre avec les fentes de la hotte. Abaissez la languette vers le bas, poussez le filtre pour le remettre à sa place, puis relâchez. Vérifiez que le filtre est bien placé.

REMARQUE : Avant utilisation, retirez le film de protection du cadre du filtre.

### (CONFIGURATIONS NON CARÉNÉES)

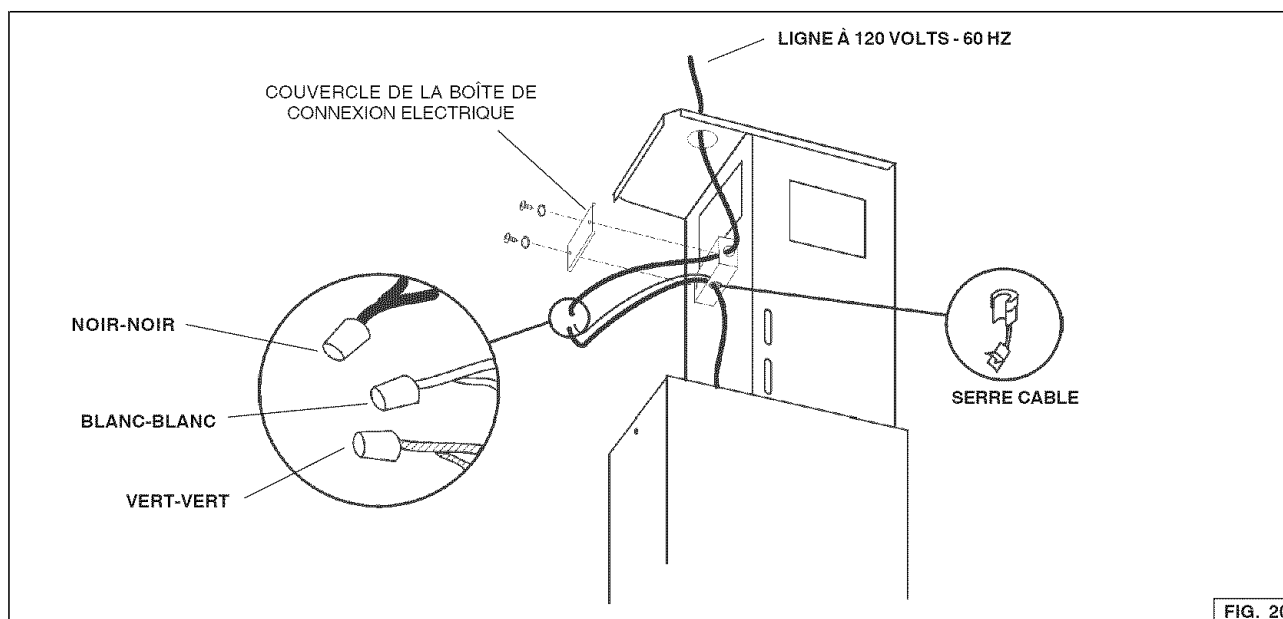
1. Pour retirer le filtre à CHARBON, appuyez sur le taquet frontal du filtre. Abaissez le filtre pour dégager ses languettes arrière.
2. Pour remettre le filtre à CHARBON en place, alignez les languettes arrière du filtre avec les fentes de la hotte. Poussez le filtre pour le remettre en place jusqu'à ce que le taquet frontal s'emboîte complètement dans la fente. Vérifiez que le filtre est bien placé.
3. Mettez le filtre à GRAISSE en place après avoir installé le filtre à charbon.



## INSTALLATION ELECTRIQUE

**Remarque : le câblage électrique doit être effectué par une personne qualifiée, et conformément aux codes et normes en vigueur. La hotte doit être correctement reliée à la terre. Mettez l'alimentation électrique hors tension avant de procéder au câblage.**

1. Retirez les (2) vis du conduit supérieur et positionnez-le en bas.
2. Faites glisser un câble d'alimentation de 6" jusqu'à l'ouverture supérieure de l'étrier de la structure de support (installée au plafond) et dans la boîte de connexion électrique. Pour les hottes non-carénées, ne pas utiliser le trou supérieur de la boîte de connexion électrique.  
Fixez le câble à la boîte de connexion électrique au moyen d'un connecteur approprié.
3. Faites glisser le câble d'alimentation de la hotte dans le trou inférieur de la boîte de connexion électrique (utiliser le serre-cable qui se trouve dans le sachet accessoires).
4. Réalisez les connexions électriques. Reliez les deux câbles blancs, les deux câbles noirs et les deux câbles verts.
5. Insérez tous les câbles dans la boîte de connexion électrique. Installer le couvercle de la boîte de connexion électrique au moyen de (2) vis 3.9x9.5mm et de (2) rondelles dentées en vérifiant qu'aucun câble ne dépasse et n'est coincé dans le couvercle.
6. Regroupez les câbles d'alimentation dans le conduit.
7. Installer le conduit supérieur.



# Informations sur la garantie des gros électroménagers

Votre appareil est couvert par une garantie limitée d'un an. Pendant un an à partir de la date d'achat originale, Electrolux assumera les coûts des réparations ou du remplacement des pièces de cet appareil qui présente un défaut de fabrication ou de matériau, si cet appareil est installé, utilisé et entretenu selon les instructions fournies avec celui-ci.

## Exclusions

### Cette garantie ne couvre pas ce qui suit :

1. Les produits dont le numéro de série original a été enlevé, modifié ou qui n'est pas facilement déterminable.
2. Les produits qui ont été transférés de leur propriétaire initial à une autre partie ou qui ne sont plus aux États-Unis ou au Canada.
3. La rouille à l'intérieur ou à l'extérieur de l'appareil.
4. Les produits vendus « tels quels » ne sont pas couverts par cette garantie.
5. Les aliments perdus en raison de pannes du réfrigérateur ou du congélateur.
6. Les produits utilisés dans les établissements commerciaux.
7. Les appels de service qui ne concernent pas un mal fonctionnement, un défaut de fabrication ou un vice de matériau ou pour les appareils qui ne font pas l'objet d'un usage domestique ou qui ne sont pas utilisés conformément aux instructions fournies.
8. Les appels de service pour vérifier l'installation de votre appareil ou pour obtenir des instructions sur la façon d'utiliser votre appareil.
9. Les frais qui rendent l'appareil accessible pour une réparation, par exemple enlever des garnitures, les armoires, les étagères, etc. qui ne faisaient pas partie de l'appareil lorsqu'il a quitté l'usine.
10. Les appels de service au sujet de la réparation ou du remplacement des ampoules, des filtres à air, des filtres à eau, d'autre matériel ou des boutons, poignées ou autres pièces esthétiques.
11. Les frais supplémentaires, y compris, sans s'y limiter, les appels de service après les heures normales de bureau, le week-end ou les jours fériés, les droits et péages, les frais de voyage ou les frais de déplacement pour les appels de service dans des endroits isolés, notamment l'État de l'Alaska.
12. Les dommages causés au fini de l'appareil ou à la maison pendant l'installation, y compris, sans s'y limiter, aux planchers, aux armoires, aux murs, etc.
13. Les dommages causés par : des réparations faites par des techniciens non autorisés; l'utilisation de pièces autres que les pièces Electrolux d'origine qui n'ont pas été obtenues par l'entremise d'un réparateur autorisé; ou les causes étrangères comme l'abus, l'alimentation électrique inadéquate ou les cas de force majeure.

### AVIS DE NON-RESPONSABILITÉ SUR LES GARANTIES IMPLICITES; LIMITATIONS DES RECOURS

L'UNIQUE RECOURS DU CLIENT EN VERTU DE CETTE GARANTIE LIMITÉE EST LA RÉPARATION OU LE REMPLACEMENT DU PRODUIT COMME DÉCRIT PRÉCÉDEMMENT. LES DEMANDES BASÉES SUR DES GARANTIES IMPLICITES, Y COMPRIS LES GARANTIES IMPLICITES DE QUALITÉ MARCHANDE ET D'ADAPTATION À UN USAGE PARTICULIER SONT LIMITÉES À AU MOINS UN AN OU À LA PÉRIODE LA PLUS COURTE PERMISE PAR LA LOI. ELECTROLUX NE SERA PAS TENUE RESPONSABLE DES DOMMAGES DIRECTS OU INDIRECTS NI DES DOMMAGES MATÉRIELS ET DES DÉPENSES IMPRÉVUES RÉSULTANT D'UNE VIOLATION DE CETTE GARANTIE ÉCRITE OU DE TOUTE AUTRE GARANTIE IMPLICITE. CERTAINS ÉTATS ET CERTAINES PROVINCES NE PERMETTENT PAS DE RESTRICTION OU D'EXEMPTION SUR LES DOMMAGES DIRECTS OU INDIRECTS OU DE RESTRICTION SUR LES GARANTIES IMPLICITES. DANS CE CAS, CES RESTRICTIONS OU EXEMPTIONS POURRAIENT NE PAS ÊTRE APPLICABLES. CETTE GARANTIE ÉCRITE VOUS PROCURE DES DROITS LÉGAUX SPÉCIFIQUES. IL SE PEUT QUE VOUS AYEZ D'AUTRES DROITS QUI VARIENT SELON L'ÉTAT OU LA PROVINCE.

### Si vous avez besoin d'une réparation

Conservez votre reçu, votre bon de livraison ou une autre preuve valide de paiement pour établir la période de la garantie dans le cas où vous devriez faire appel aux services d'un technicien autorisé. Si une réparation doit être effectuée, veuillez obtenir et conserver tous les reçus. Le service auquel vous avez recours en vertu de cette garantie doit être obtenu en communiquant avec Electrolux à l'adresse ou aux numéros de téléphone indiqués ci-dessous.

Cette garantie n'est valide qu'aux États-Unis et au Canada. Aux États-Unis, votre appareil est garanti par Electrolux Major Appliances North America, une division de Electrolux Home Products, Inc. Au Canada, votre appareil est garanti par Electrolux Canada Corp. Personne n'est autorisé à modifier ou à ajouter aux obligations contenues dans cette garantie. Les obligations de cette garantie concernant la réparation et les pièces doivent être remplies par Electrolux ou par une compagnie de réparation autorisée. Les caractéristiques et spécifications décrites ou illustrées peuvent être modifiées sans préavis.

### ÉTATS-UNIS

1.800.944.9044

Electrolux Major Appliances

North America

Case postale 212378

Augusta, GA 30907, ÉTATS-UNIS



### Canada

1.800.668.4606

Electrolux Canada Corp.

5855 Terry Fox Way

Mississauga, Ontario, Canada

L5V 3E4

## SERVICE PARTS - LISTE PIECES DE RECHANGE

MODEL PL36PC40EC

| KEY No. | DESCRIPTION (ENGLISH )                                  |
|---------|---|
| 9       | Grease Filter   |
| 14      | Motor Capacitor   |
| 16      | Electrical Box Support                                  |
| 19      | Transformer Protection                                  |
| 26      | Bulb  |
| 38      | Board Box   |
| 38      | Control Cover + Board                                   |
| 39      | Board Box Cover   |
| 45      | Blower  |
| 48      | Motor   |
| 49      | Blower Wheel  |
| 53      | Rubber Washer   |
| 62      | Blower Mounting Cover                                   |
| 63      | Support Frame Bracket                                   |
| 64      | Filter Support  |
| 76      | Glass   |
| 86      | Discharge Collar  |
| 92      | Controls Support  |
| 110     | Glass Plastic Gasket                                    |
| 110     | Flue Plastic Gasket                                     |
| 113     | Logo  |
| 115     | Wiring Box  |
| 116     | Wiring Box Cover  |
| 118     | Decorative Flue Bottom                                  |
| 119     | Decorative Flue Top                                     |
| 124     | Bottom Support Frame                                    |
| 125     | Top Support Frame                                       |
| 144     | Wire Clamp  |
| 165     | Electrical Box Capacitor                                |
| 166     | Board   |
| 208     | Transformer   |
| 223     | Switch Button   |
| 230     | Switch Board Box Cover                                  |
| 234     | Switch Board Box  |
| 274     | Fuse Box  |
| 329     | Electrical Box Support Plate                            |
| 332     | Cover   |
| 407     | Blower Support Bracket                                  |
| 472     | Glass Bracket   |
| 474     | Halogen Lamp  |
| 477     | Transformer Protection Cover                            |
| 998     | Hardware Package  |
| AQI     | Controls Assembly (Includes Keys Nos.234, 38, 223, 230) |

| N.  | DESCRIPTION (FRANCAIS)                               |
|-----|--|
| 9   | Filtre à graisse                                     |
| 14  | Condensateur   |
| 16  | Support boîte électrique                             |
| 19  | Protection transformateur                            |
| 26  | Ampoule  |
| 38  | Boîte circuit imprimé électrique                     |
| 38  | Couvercle commandes + circuit imprimé                |
| 39  | Couvercle boîte circuit imprimé électrique           |
| 45  | Convoyer   |
| 48  | Moteur   |
| 49  | Turbine  |
| 53  | Pare chocs   |
| 62  | Couvercle convoyeur                                  |
| 63  | Etrier de la structure de support                    |
| 64  | Support filtre                                       |
| 76  | Vitre  |
| 86  | Bride de raccordement                                |
| 92  | Support commandes                                    |
| 110 | Garniture plastique du conduit                       |
| 110 | Garniture plastique vitre                            |
| 113 | Plaque logo  |
| 115 | Boîte de connexion électrique                        |
| 116 | Couvercle boîte de connexion électrique              |
| 118 | Conduit décoratif inférieur                          |
| 119 | Conduit décoratif supérieur                          |
| 124 | Structure de support inférieure                      |
| 125 | Structure de support supérieure                      |
| 144 | Serre câble  |
| 165 | Boîte installation électrique                        |
| 166 | Circuit imprimé électrique                           |
| 208 | Transformateur                                       |
| 223 | Bouton   |
| 230 | Couvercle commandes                                  |
| 234 | Boîte commandes                                      |
| 274 | Boîte fusible  |
| 329 | Plaque support boîte électrique                      |
| 332 | Couvercle  |
| 407 | Etrier support convoyeur                             |
| 472 | Etrier vitre   |
| 474 | Lampe halogène                                       |
| 477 | Couvercle protection transformateur                  |
| 998 | Accessoires de fixation                              |
| AQI | Ensemble Commandes (Comprenant N. 234, 38, 223, 230) |

# SERVICE PARTS - LISTE PIECES DE RECHANGE

MODEL PL36PC40EC

