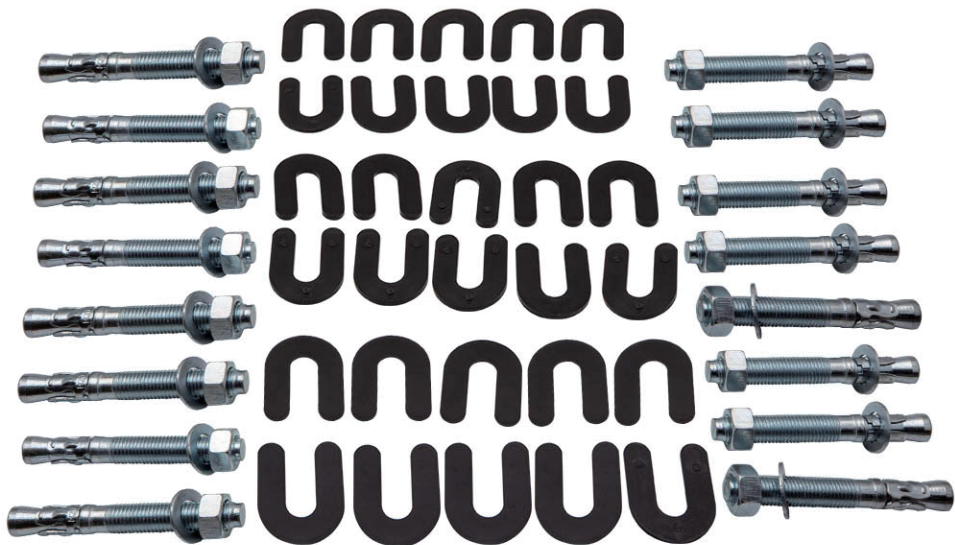


WEDGE ANCHOR BOLTS

INSTRUCTIONS



/// PRODUCT INFORMATION

This wedge anchor bolts kit is for car lift installation. It works well with most 2-post lifts and some 4-post lifts and ensures a fast, efficient and easy installation.

/// KITS CONTENT



NO.	DESCRIPTION	QTY
1	M20*2.5*150-80 Wedge Anchor Bolt	16
2	2mm Leveling Shims	10
3	3mm Leveling Shims	10
4	5mm Leveling Shims	10

/// PRE-INSTALLATION

Tools Required

- Rotary hammer drill
- 5/8" or 3/4" masonry bit
- Rebar locator
- Level
- Torque wrench(0-150 ft-lbs)
- Engine hoist or forklift
- Socket set(SAEand metric)
- Impact driver
- Measuring tape(25+feet)
- Chalk line
- Shop vacuum
- Wire brush
- Safety glasses
- Work gloves
- Dust mask or respirator
- Ear protection
- Hard hat

/// INSTRUCTION STEPS

1. Clean the installation area thoroughly

Sweep and vacuum the entire floor area where the lift will be installed. Remove all dirt, oil, grease, paint, and debris. The floor must be clean and dry before proceeding.

2. Mark the position

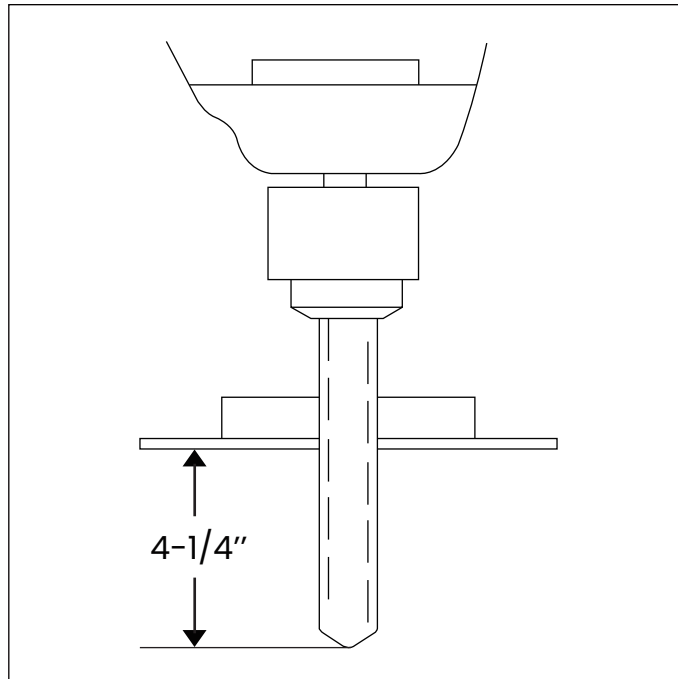
Measure and mark the position of each column and anchor holes on the floor according to the size drawings provided by the manufacturer. Before drilling holes, double-check all dimensions.

3. Drill the anchor holes

⚠ WARNING – Fuel / Brake / Electrical Line Hazard

Always wear safety glasses, hearing protection, and a dust mask when drilling concrete. Concrete dust is harmful to breathe and flying chips can cause serious eye injury. Never drill without proper protection.

Start the drill at a slow speed and drill straight down. Measure depth with a tape measure or depth stop on your drill. Drill depth is 4-1/4".



4. Clean the anchor holes

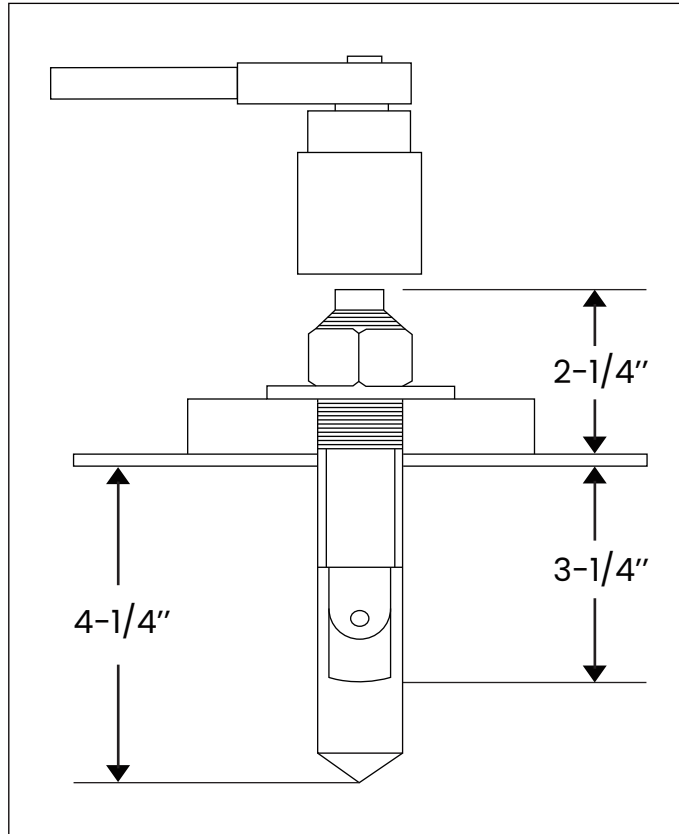
Use a wire brush on a drill to scrub the inside of each hole. Use an air blow gun or shop vacuum to remove all concrete dust and debris from holes.

5. Stand columns upright

Move each column to its installation position. Use the level to confirm both columns are vertical. Check plumb in both front-to-back and side-to-side directions. Adjust shimming if needed under column bases.

6. Install anchor bolts

Before installation, thread the nut onto the wedge anchor bolt to protect the threads until the end of anchor is higher than nut. Insert wedge anchor bolt through column base and into concrete hole. Using a torque wrench, tighten anchor. Torque to 110 – 150 ft-lb.



NOTE

This kit is only including wedge anchor bolts and leveling shims. For the complete installation of car lift system, please follow manufacturer's installation guide.

Professional installation is strongly recommended.

INSTALLATION COMPLETED



WARNING

Cancer and Reproductive Harm
www.P65Warnings.ca.gov

YOUR GATEWAY TO PERFORMANCE DRIVING

WAB-KIT-16WED-LC

