



Electric Dethatcher

060-3864-2



Owner's Manual

TOLL-FREE HELPLINE: 1-866-523-5218

▲WARNING

Read and follow all safety rules and operating instructions before using this product.

Table of Contents

Technical data.....	2
General safety rules.....	3-4
Specific safety rules for dethatcher	5
Symbols.....	6
Electrical information.....	7-8
Know your dethatcher.....	9
Assembly.....	10-11
Operation and adjustments.....	12-14
Replacing Spring Tines.....	15-16
Troubleshooting.....	17
Maintenance.....	18
Warranty	19
Parts breakdown.....	20
Parts list.....	21

Technical Data

MODEL NUMBER.....	060-3864-2
MOTOR.....	120V AC, 60 Hz, 10 A
SPEED.....	3,700 RPM
DETHATCHING PATH.....	14" (35.6 cm)
WEIGHT.....	27 lb 10 oz (12.5 kg)
CSA.....	218549

FOR USE WITH YARDWORKS REPLACEMENT TINES 060-6115-8 SOLD SEPERATELY

General Safety Rules

Safety is a combination of common sense, staying alert, and knowing how to use your dethatcher.

⚠ WARNING: TO AVOID MISTAKES THAT COULD CAUSE SERIOUS INJURY, DO NOT PLUG IN THE DETHATCHER UNTIL THE FOLLOWING STEPS HAVE BEEN READ THOROUGHLY.

1. READ and become familiar with this entire instruction manual. LEARN the tool's applications, limitations, and possible hazards.
2. AVOID DANGEROUS CONDITIONS. DO NOT use in wet or damp areas or expose to rain.
3. DO NOT use in the presence of flammable liquids or gases.
4. KEEP BYSTANDERS AT A SAFE DISTANCE. NEVER allow children near the tool.
5. DRESS FOR SAFETY. DO NOT wear loose clothing, gloves, neckties, or jewellery (rings, watches, etc.) when operating tool. Loose clothing can get caught and pull you into moving parts.
6. ALWAYS WEAR EYE PROTECTION.
7. ALWAYS remove the power cord plug from the electric outlet when making adjustments, changing parts, or cleaning.
8. AVOID ACCIDENTAL START-UPS. Make sure the power switch is in the OFF position before plugging in the power cord.
9. DO NOT abuse the power cord. Do not use it to carry the tool. Keep cord away from heat, oil, sharp edges, or moving parts. Replace damaged cords immediately; they may create a shock or fire hazard.
10. NEVER LEAVE A RUNNING TOOL UNATTENDED. Turn the power switch to OFF. Do not leave the tool until it has come to a complete stop.
11. DO NOT OVERREACH. Keep proper footing and balance at all times.
12. DISCONNECT TOOLS. Disconnect tools from their power supplies when not in use, prior to servicing and when changing accessories such as blades, etc.

SAVE THESE SAFETY INSTRUCTIONS

General Safety Rules

13. MAINTAIN TOOLS PROPERLY. ALWAYS keep tools clean and in good working order.
14. CHECK FOR DAMAGED PARTS. Check for proper alignment of moving parts, binding, breakage, or any other conditions that may affect the tool's operation. Any part that is damaged should be properly repaired or replaced before use.
15. CLEAN AND FREE OF OIL OR GREASE. To clean the tool, always use a clean cloth when cleaning. Do not use solvents, brake fluids, gasoline, or other petroleum products to clean the tool, as they may damage plastic parts.

▲ WARNING: ONLY USE IDENTICAL REPLACEMENT PARTS WHEN SERVICING. TOLL-FREE HELPLINE: 1-866-523-5218.



ALWAYS WEAR EYE PROTECTION.

This tool can eject foreign objects into your eyes, posing the risk of permanent eye damage. ALWAYS wear safety goggles (not glasses). Ordinary eyeglasses have only impact-resistant lenses—they are NOT safety goggles.

SAVE THESE SAFETY INSTRUCTIONS









Specific Safety Rules for Dethatcher

1. Do not use the dethatcher in the rain or in moist, wet conditions.
2. Do not work close to the edge of swimming pools or garden ponds.
3. Please observe any local noise restrictions.
4. Always wear eye protection.
5. Wear a dust mask. Soil mixed with fertilizers may cause harmful chemicals to be inhaled.
6. Wear hearing protection.
7. Ensure that people and pets are at least 100' (30.4 m) away from dethatcher while in use.
8. Do not use the maximum dethatching depth setting, allow tines to wear down, start in the highest setting and adjust as tines wear down.
9. Replace worn or damaged parts only with identical replacement parts.
10. Ensure that work area is free of slippery spots or excessive quantities of stone.
11. Do not dethatch on slopes greater than 15 degrees.

SAVE THESE SAFETY INSTRUCTIONS

Symbols

Some of the following symbols may be used on this product. Please study them and learn their meaning. Proper interpretation of these symbols will allow you to operate the product better and safer.

SYMBOL	NAME	DESIGNATION/EXPLANATION
V	Volts	Voltage
A	Amperes	Current
Hz	Hertz	Frequency (cycles per second)
W	Watts	Power
min	Minutes	Time
~	Alternating Current	Type of current
≡	Direct Current	Type or a characteristic of current
n_0	No Load Speed	Rational speed, at no load
	Class II Construction	Double-insulated construction
/min	Per Minute	Revolutions, strokes, surface speed, orbits etc., per minute
	Wet Conditions Alert	Do not expose to rain or use in damp locations
	Read The Operator's Manual	To reduce the risk of injury user must read and understand operator's manual before using this product.
	Eye Protection	Wear eye protection when operating this equipment.
	Ricochet	Thrown objects can ricochet and result in personal injury or property damage.
	Sharp Blade	Danger – Keep hands and feet away from blade.
	Operating on a slope	Do not mow a slope that has an angle of greater than 15°.
	Keep Bystanders Away	Keep all bystanders at least 50 ft. away.

Electrical Information

⚠ WARNING: USE PROPER CIRCUIT PROTECTION TO AVOID THE RISK OF ELECTRICAL SHOCK, FIRE OR DAMAGE TO THE TOOL. THE DETHATCHER IS WIRED AT THE FACTORY FOR 120 V OPERATION. CONNECT TO A 120 V, 15 A CIRCUIT AND USE A 15 A TIME-DELAYED FUSE OR CIRCUIT BREAKER. REPLACE A CUT, WORN OR DAMAGED POWER CORD IMMEDIATELY TO AVOID SHOCK OF FIRE.

DOUBLE INSULATED

This dethatcher has a plug that looks like the one shown in Fig. 1. The dethatcher is double insulated to provide a dual thickness of insulation between you and the tool's electrical system. All exposed metal parts are insulated from internal motor components using protective insulation.

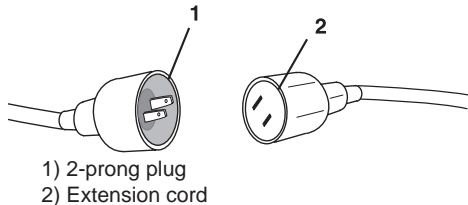


Fig. 1

⚠ WARNING: TO AVOID INJURY, USE ONLY IDENTICAL REPLACEMENT PARTS WHEN SERVICING THE DETHATCHER.
TOLL-FREE HELPLINE: 1-866-523-5218.

⚠ WARNING: DOUBLE INSULATION DOES NOT TAKE THE PLACE OF NORMAL SAFETY PRECAUTIONS WHEN OPERATING THIS TOOL.

⚠ WARNING: TO AVOID ELECTRIC SHOCK:

1. Use only identical replacement parts when servicing a tool with double insulation. Servicing should be performed by a qualified technician.
2. Do not use in wet or damp areas or expose to rain.

DO NOT MODIFY THE PLUG PROVIDED. If it will not fit the outlet, have the proper outlet installed by a qualified electrician.

Electrical Information

⚠ WARNING: THIS DETHATCHER IS FOR OUTDOOR USE ONLY. DO NOT EXPOSE TO RAIN OR USE IN DAMP LOCATIONS.

GUIDELINES FOR USING EXTENSION CORDS

USE THE PROPER EXTENSION CORD. Make sure your extension cord is in good condition. When using an extension cord, be sure to use one of heavy enough gauge to carry the current your product will draw. An undersized cord will cause overheating. The table below shows the correct size to use depending on cord length and nameplate ampere rating. If in doubt, use the next heavier gauge. The smaller the gauge number, the heavier the cord.

Minimum Gauge for Extension Cords (AWG)

(when using 120 V only)

Ampere Rating		Total Length of Cord in Feet (meters)			
More Than	Not More Than	25' (7.6 m)	50' (15 m)	100' (30.4 m)	150' (45.7 m)
0	6	18	16	16	14
6	10	18	16	14	12
10	12	16	16	14	12
12	16	14	12	Not Recommended	

Make sure your extension cord is properly wired and in good electrical condition. Always replace a damaged extension cord or have it repaired by a qualified technician before use. Keep extension cords away from sharp objects, excessive heat and damp or wet areas.

Use a separate electrical circuit for tools. This circuit should not be less than #12 wire and should be protected with a 15 A time delayed fuse. Before connecting the motor to the power line, make sure the switch is in the OFF position and the electric current is rated the same as the current stamped on the motor nameplate. Running at a lower voltage will damage the motor.

⚠ WARNING: ALTHOUGH THIS TOOL IS DOUBLE INSULATED, THE EXTENSION CORD AND OUTLET MUST STILL BE GROUNDED WHILE IN USE TO PROTECT THE OPERATOR FROM ELECTRICAL SHOCK.

SAVE THESE SAFETY INSTRUCTIONS

Know Your Dethatcher

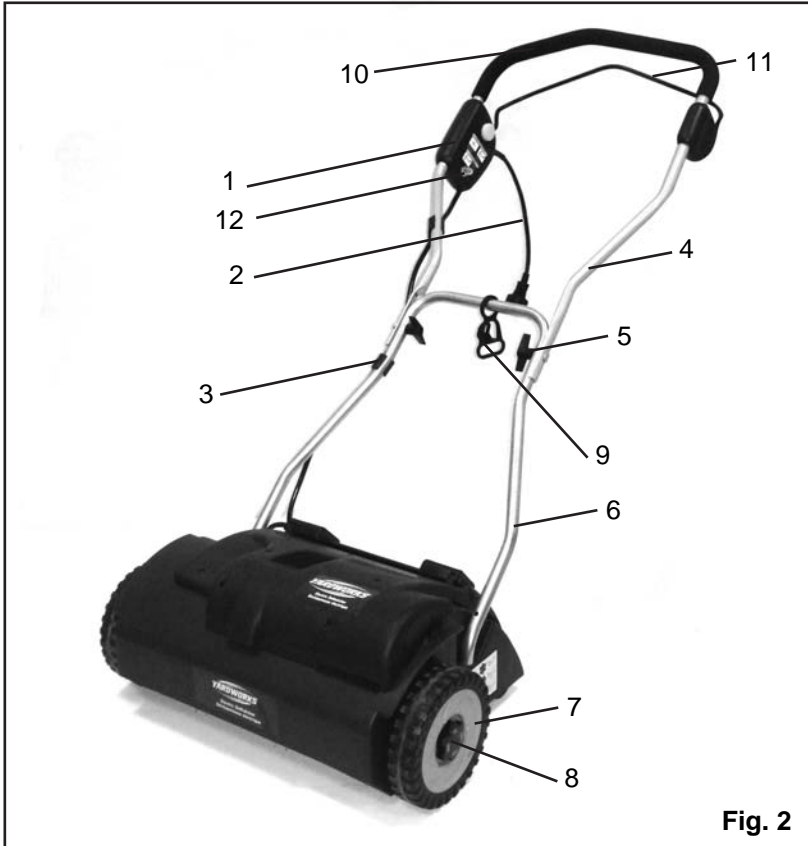


Fig. 2

1. Power switch
2. Electrical cord
3. Cable clip
4. Upper handle
5. Knob
6. Lower handle
7. Wheel
8. 4-position depth adjustment knobs
9. Cord retainer
10. Handle bar
11. Trigger switch
12. Circuit breaker

(Accessories: **REPLACEMENT TINES 060-6115-8**)

Assembly

UNPACKING

This product requires assembly.

- Carefully remove the product and any accessories from the box. Make sure that all items listed in the packing list are included.
- Inspect the product carefully to make sure no breakage or damage occurred during shipping.
- Do not discard the packing material until you have carefully inspected and satisfactorily operated the product.
- If any parts are damaged or missing, please call 1-866-523-5218 for assistance.

PACKING LIST

Dethatcher

Replacement tines (060-6115-8)

Owner's Manual

⚠ WARNING: If any parts are damaged or missing, do not operate this product until the parts are replaced. Failure to heed this warning could result in serious personal injury.

⚠ WARNING: Do not attempt to modify this product or create accessories not recommended for use with this product. Any such alteration or modification is misuse, and could result in a hazardous condition leading to possible serious personal injury.

⚠ WARNING: Disconnect the dethatcher from the power supply until assembly is complete. Failure to comply could result in accidental starting and possible serious personal injury.

Assembling handles

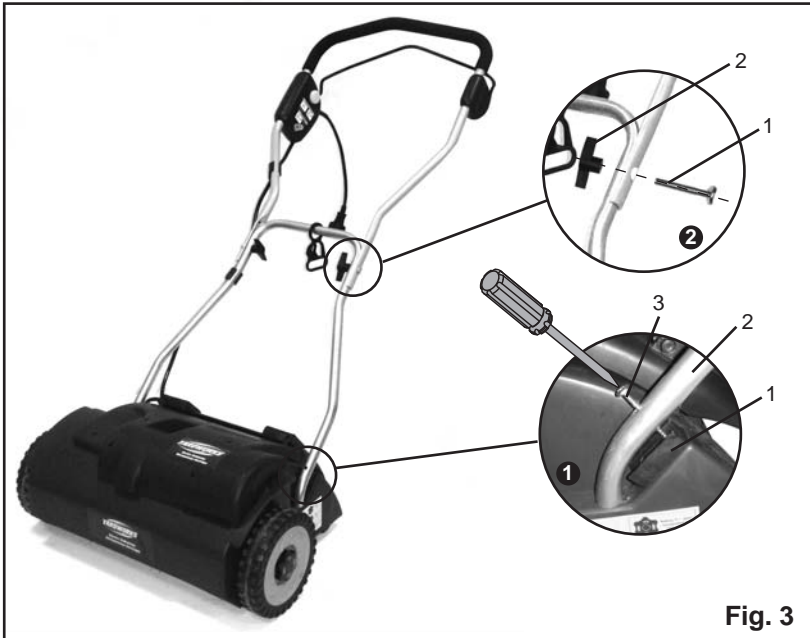


Fig. 3

Installing the lower handle ①

1. Insert the lower handle (2) into the housing hole. Place rubber pad (1) between the housing and lower handle.
2. Using the supplied screws (3), fasten the lower handle to the housing using a star-shaped screwdriver, not supplied.

Installing the upper handle ②

1. Position the upper handle so the holes line up with the lower handle holes.
2. Insert the supplied hex bolt (1) through the hole from the outside of the handle bar.
3. Thread the knob (2) onto the hex bolt to tighten securely into place.

Operation and Adjustments

STARTING AND STOPPING THE DETHATCHER (Fig. 4)

⚠ IMPORTANT: Prior to dethatching the lawn, the lawn should be mowed to a height of approx. 2" (0.05 m). Doing this will lengthen the life span of the tines and prevent unnecessary motor overload on the dethatcher.

Starting the Dethatcher:

- Plug the dethatcher into an approved outdoor extension cord.
- Press and hold the Power button (1). This makes the bale switch operational.
- Pull the bale switch (2) upward to the handlebar to operate.

Stopping the Dethatcher:

- Release the bale.

CIRCUIT BREAKER (Fig. 4)

This dethatcher is equipped with a circuit breaker in order to protect the supply circuit from short-circuit overloads.

Follow these steps if the switch pops out:

1. Release the trigger switch, and allow the dethatcher to stop and cool down for a minute.
2. Press the circuit breaker in order to reset it. Resume operation (See Figure 4).

Follow these steps if the switch pops out again shortly after the first time:

1. Allow the dethatcher to stop and cool down for 15 to 30 minutes.
2. After the dethatcher has cooled down, press the circuit breaker in order to reset it. Resume operation.

If the circuit breaker does not stay in, or if it continues to pop out during operation, contact the Toll-Free Helpline, at 1-866-523-5218.

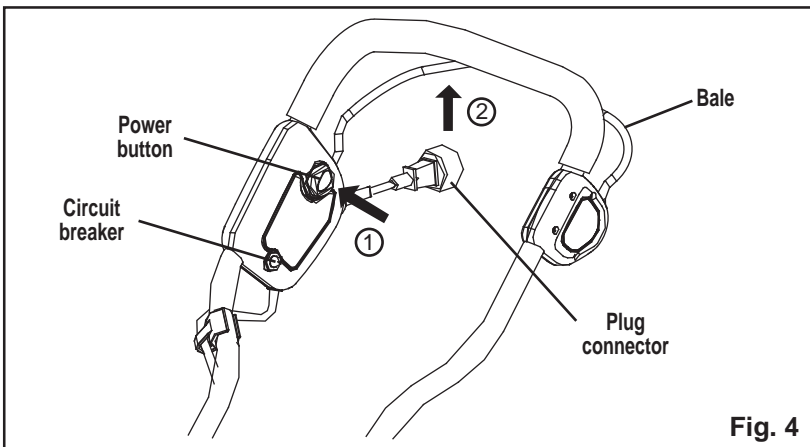


Fig. 4

Operation and Adjustments

USING THE CORD RETAINER (Fig. 5)

This dethatcher is equipped with a cord retainer in order to prevent the extension cord from disconnecting from the power cord while the mower is in use. The cord retainer hangs from the cord guide bar.

NOTE: Do not plug the extension cord into the outlet until it has been connected to the cord retainer and plugged into the mower.

To use the cord retainer:

- Fold the extension cord in order to forming a tight loop near the retainer.
- Push the loop through the bottom hole in the retainer.
- Slide the loop over the retaining clip, and pull down until the cord is secured.

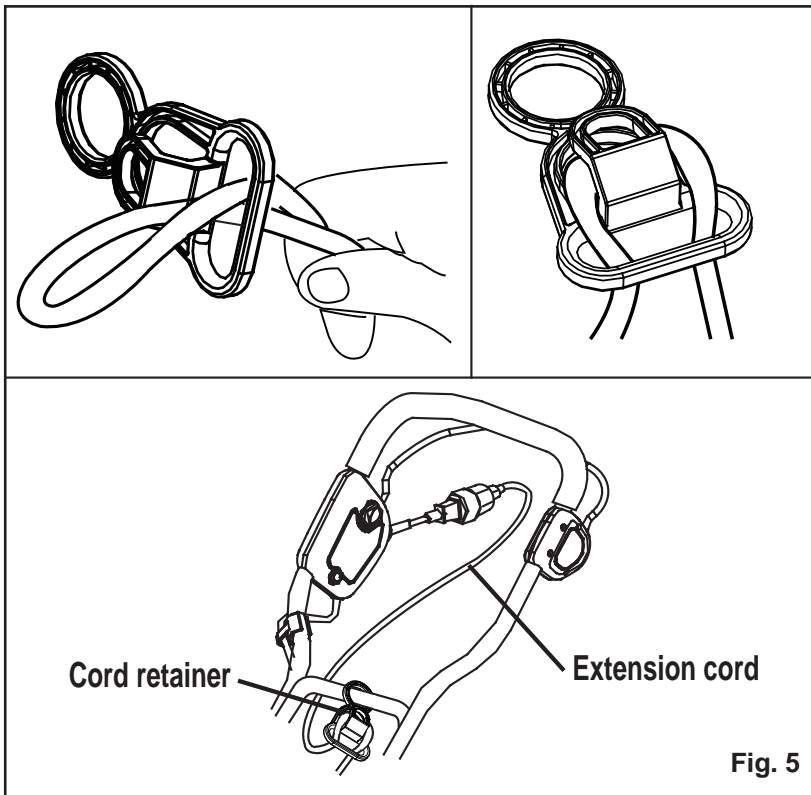


Fig. 5

Operation and Adjustments

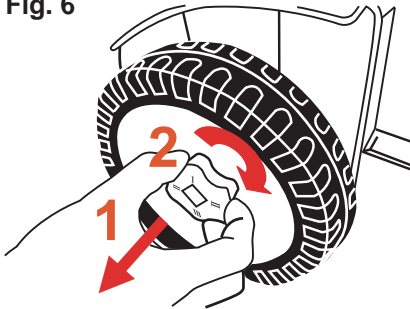
ADJUSTING THE DETHATCHER DEPTH (Fig. 6)

CAUTION: BEFORE YOU ADJUST THE DETHATCHER DEPTH, TURN OFF THE POWER, UNPLUG THE TOOL AND ENSURE THE MOTOR HAS STOPPED.

1. The dethatcher depth is adjusted by turning the hubcaps. You can choose from three different depth settings by pulling out and turning hubcaps.
2. When setting "I" is at the bottom, the high setting is locked in. The dethatcher depth is approx 1 mm above the ground. Select depth setting "I" when transporting the dethatcher.
3. When setting "II" is at the bottom, the middle setting is locked in. The dethatcher depth is approx 1/8" (3 mm).
4. When setting "III" is at the bottom, the low setting is locked in. The dethatcher depth is approx 3/8" (10 mm).

CAUTION: THE HUBCAPS MUST BE FIRMLY LOCKED INTO PLACE! AT THE BEGINNING IT IS BEST TO SELECT DEPTH SETTING "I" AT THE START. YOU CAN THEN SWITCH TO SETTING "II" WHEN THE DETHATCHER SPIKES HAVE BECOME WORN.

Fig. 6



SETTING YOUR HEIGHT LEVELS

For optimal performance, it is recommended to set the height of both wheels to the highest setting. Adjust height lower only if required.

**DO NOT PULL DETHATCHER BACKWARDS.
ONLY PUSH FORWARD WHEN IN USE.**



Use setting "I" when transporting dethatcher.



Use setting "II" when dethatching depth of 1/8" (3 mm) is required.



Use setting "III" when dethatching depth of 3/8" (10 mm) is required.

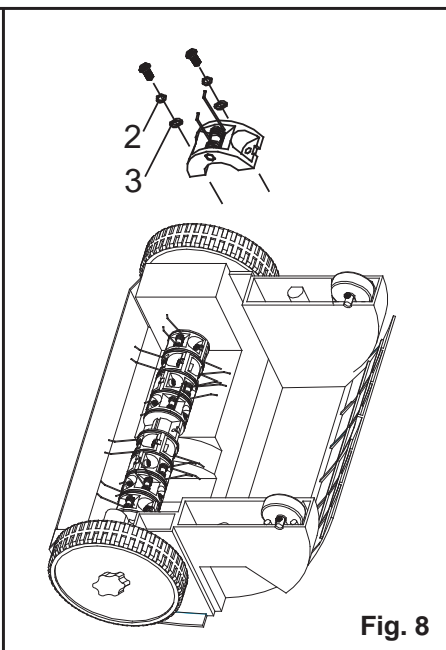
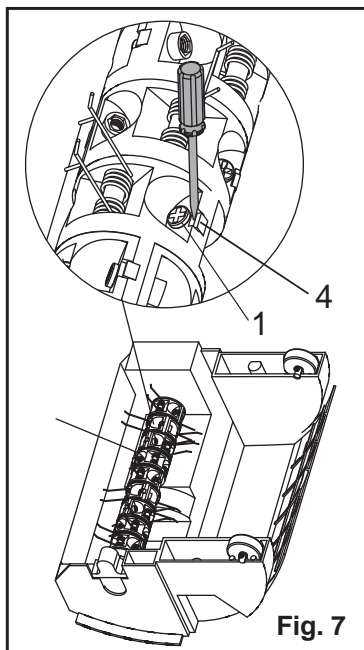
Replacing spring tines

The dethatcher cylinder can cause injuries! Prior to making adjustments, unplug unit and wait until the dethatcher cylinder has stopped. Wear heavy-duty work gloves when making adjustments. If the dethatcher cylinder is not yet worn but individual springs have broken, these must be replaced. Only identical replacement springs may be used. Toll-free helpline: 1-866-523-5218.

REPLACING THE INDIVIDUAL TINES (Fig. 7-8)

1. Disconnect dethatcher from power source.
 2. Turn the dethatcher over.
 3. Remove the two star-shaped screws (1), flat washer (2) and lock washer (3) which secure the tine casing and remove the two nuts on the opposite side with a star-shaped screwdriver.
 4. Press the locker (4) on the edge of the shaft with a slotted screwdriver to separate the tine casing from the shaft.
 5. Replace the worn or broken tines with a new one.
- YARDWORKS REPLACEMENT TINES 060-6115-8**
6. Fasten the the tine casing back together using the flat washer and lock washer in the order and placement which they were previously removed.

⚠ WARNING: All the screws to mount the halves of the tine holder must have flat washer (2) and lock washer (3) on their threads, to prevent screws from loosening during usage.

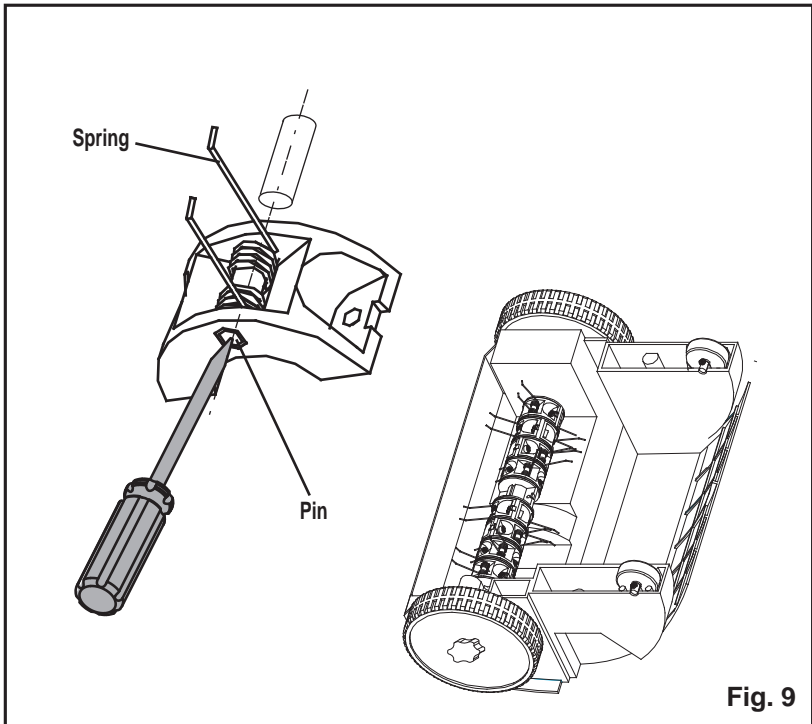


Replacing individual tines

REPLACING THE TINES (Fig. 9)

1. Remove the tine cartridge as demonstrated on page 15.
2. Secure tine cartridge on a workbench.
3. Push out the pin using a screwdriver (Not Supplied). This may require the use of a rubber mallet if more strength is required.
4. Remove and discard the worn/broken tines.
5. Replace the tine into position and slide the pin back into place pressing the pin against a solid surface to pressure it back into place.

YARDWORKS REPLACEMENT TINES 060-6115-8.



Troubleshooting

Problem	Possible Cause	Common Solutions
Abnormal noise. Clattering in the unit. Whistling sound.	Foreign objects on the dethatcher cylinder are hitting the dethatcher. Foreign objects blocking the dethatching cylinder.	1. Switch off the dethatcher, remove the power cord from the outlet and wait until the cylinder has stopped rotating. 2. Remove foreign objects. 3. Check the dethatcher immediately.
Whistling sound.	Cog belt slipping.	Contact an authorized service centre.
Motor will not start.	Faulty cable. The conductor cross-section of the extension cable may be too low.	Contact your electrician.
Motor cuts out because blocking protection has been activated.	Blocked by foreign objects. Dethatcher depth is too low. Cylinder has been adjusted for wear without actual wear to the tines. The grass is too tall.	1. Switch off the motor, remove the plug from the socket and wait until the dethatcher has stopped rotating. 2. Remove the foreign objects. 3. After approx. 1 minute, switch on the dethatcher. 1. Let the motor cool down. 2. Set depth adjustment correctly. Mow the lawn before dethatching.
Dethatching results are not satisfactory.	Spring tine wear. Cog belt faulty. Lawn has grown too tall.	Adjust the dethatcher cylinder. Contact an authorized service centre. Mow the lawn before using the dethatcher.

If you have any problem with this Yardworks tool, please contact our TOLL-FREE helpline at 1-866-523-5218

Maintenance

DANGER! The dethatcher cylinder can cause injuries.

Prior to maintenance, unplug from the power source and wait until the dethatcher cylinder has stopped. Wear heavy-duty gloves for performing maintenance. The lawn dethatcher should be cleaned after each use.

Risk of injury and physical damage!

Do not clean the lawn dethatcher under running water (particularly under high pressure).

Do not use hard or pointed objects for cleaning the lawn dethatcher.

To save space, the lawn dethatcher can be folded up for storage by releasing the wing nuts. Take care during this process that the power cable does not become trapped.

Store the lawn dethatcher in a dry, closed room to which children cannot gain access.

1. Switch off the motor, unplug from the power source and wait until the aerator cylinder stops.
2. Move the depth adjustment knob to the highest position and lift the lawn dethatcher when transporting it over sensitive surfaces, e.g., tiles.
3. Always clean the bottom of the dethatcher after each use and before storage.
4. Carefully inspect all tines and cartridges for damage and replace when required.

This device must not be disposed of with normal household waste; it must be disposed of in accordance with local regulations.

Warranty



For TWO YEARS from the date of purchase within Canada, **YARDWORKS® CANADA** will, at its option, repair or replace for the original purchaser, free or charge, any part or parts that are found to be defective in material or workmanship.

- 7-day over-the-counter replacement for initial defects for unused product (RA # required for used product)
- 2-year repair warranty

This warranty does not cover:

1. Any part that has become inoperative due to misuse, commercial use, abuse, neglect, accident, improper maintenance, or alteration; or
2. The unit, if it has not been operated and/or maintained in accordance with the Owner's Manual; or
3. Normal wear;
4. Routine maintenance items such as lubricants, tines;
5. Normal deterioration of the exterior finish due to use or exposure.

How to Obtain Service: Warranty service is available by calling the Toll-Free Helpline, at 1-866-523-5218. **YARDWORKS® CANADA** will not accept the return of a complete unit unless prior written permission has been extended by **YARDWORKS® CANADA**.

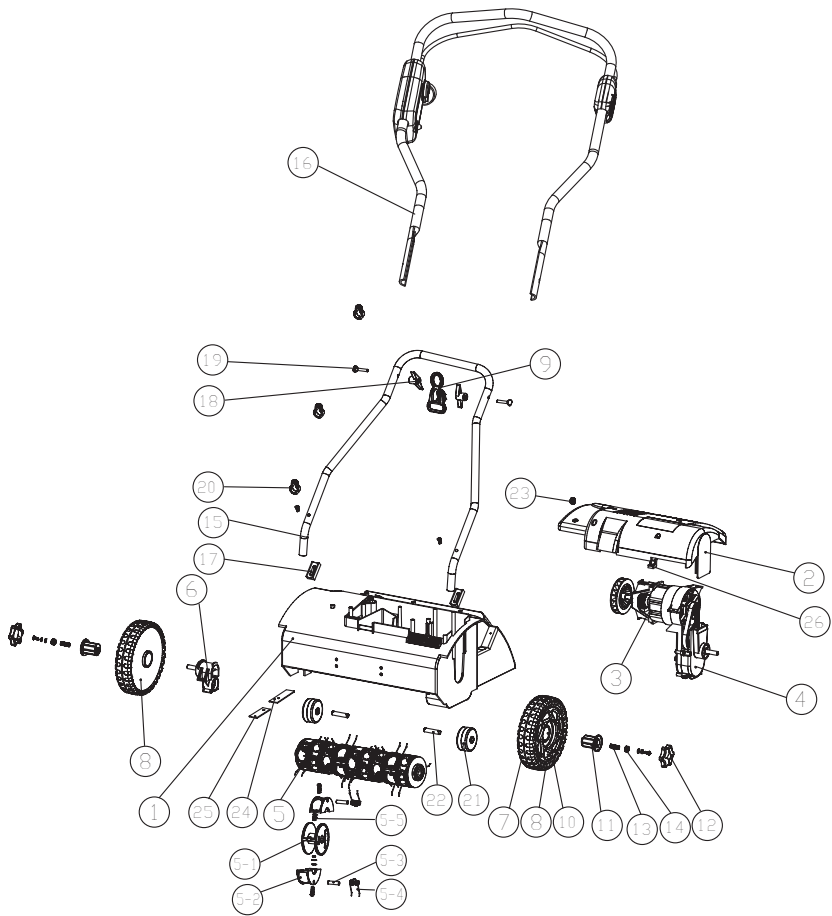
Transportation Charges: Transportation charges for the movement of any power equipment unit or attachment are the responsibility of the purchaser. The purchaser must pay transportation charges for any part submitted for replacement under this warranty, unless such return is requested, in writing, by **YARDWORKS® CANADA**.

Other Warranties: All other warranties, whether express or implied, including any implied warranty of merchantability, are limited in their duration to that set forth in this express limited warranty. The provisions as set forth in this warranty provide the sole and exclusive remedy of **YARDWORKS® CANADA's** obligations arising from the sale of its products.

YARDWORKS® CANADA will not be liable for incidental or consequential loss or damage.

Imported by YardWorks Canada, Toronto, Canada M4S 2B8

Parts breakdown



Parts list

No.	Model Num.	Qty	Description
1	60-3864-1	1	Housing
2	60-3864-2	1	Cover for motor
3	60-3864-3	1	Motor assy.
4	60-3864-4	1	Gear case assy.
5	60-3864-5	1	Tines assy.
5-1	60-3864-5-1	18	Base for tine
5-2	60-3864-5-2	18	Tine cartridge
5-3	60-3864-5-3	18	Pin
5-4	60-3864-5-4	18	Tine
5-5	60-3864-5-5	18	Bolt, nut and washer
6	60-3864-6	1	Bracket for tines assy.
7	60-3864-7	2	Tire for front wheel
8	60-3864-8	2	Front wheel
9	60-3864-9	1	Cord retainer
10	60-3864-10	2	Bush for front wheel
11	60-3864-11	2	Shaft for high adjustment
12	60-3864-12	2	High adjustment knob
13	60-3864-13	2	Spring for high adjustment
14	60-3864-14	2	Baffle for high adjustment spring
15	60-3864-15	1	Lower handle
16	60-3864-16	1	Upper handle assy.
17	60-3864-17	2	Rubber cushion
18	60-3864-18	2	Knob
19	60-3864-19	2	Bolt
20	60-3864-20	3	Hang for power cord
21	60-3864-21	2	Rear wheel assy.
22	60-3864-22	2	Shaft for rear wheel
23	60-3864-23	1	Ringer for power cord
24	60-3864-24	1	Big cover
25	60-3864-25	1	Little cover
26	60-3864-26	1	Support for motor