

**WARRANTY  
REGISTRATION:**  
register online today for a  
chance to win a FREE Tripp Lite  
product—[www.tripplite.com/warranty](http://www.tripplite.com/warranty)



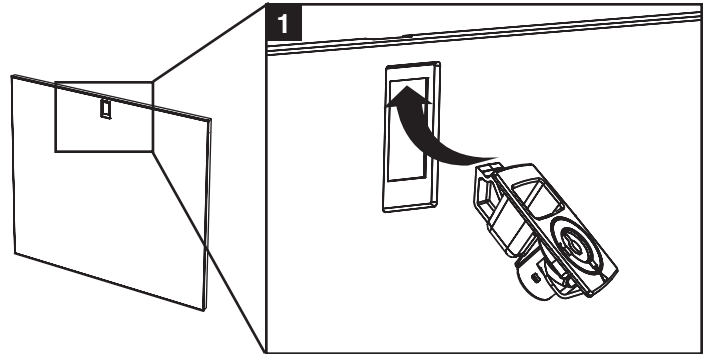
# Owner's Manual Addendum

## SmartRack™ Side Panel Latch Installation

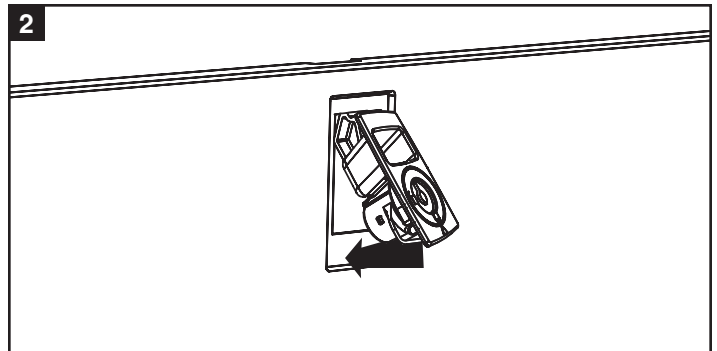


**Important:** Before installing the side panels, you must install a latch (included) in each side panel.

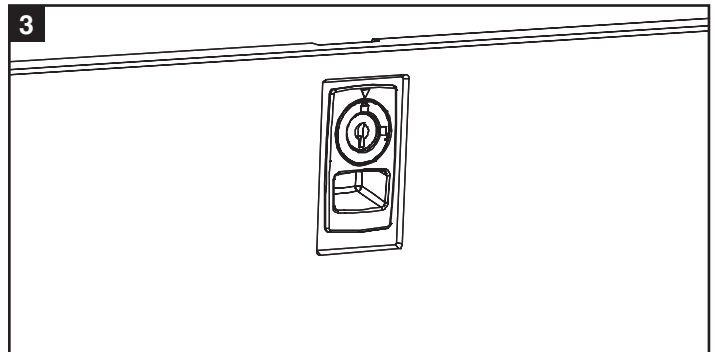
**1** Working from the outer surface of the side panel, insert the upper portion of the latch into the side panel cutout as shown.



**2** Push the lower portion of the latch into the side panel cutout as shown.



**3** Snap the latch into place. The latch should be flush with the outer surface of the side panel. Repeat the process for each side panel.



*Note: To install the side panels, follow the instructions in the rack enclosure owner's manual.*



1111 W. 35th Street, Chicago, IL 60609 USA  
773.869.1234 (USA) • 773.869.1212 (International)  
[www.tripplite.com](http://www.tripplite.com)

Tripp Lite has a policy of continuous improvement. Specifications are subject to change without notice. Made in China.

Copyright © 2009 Tripp Lite. All rights reserved.

200905072 • 932902-EN