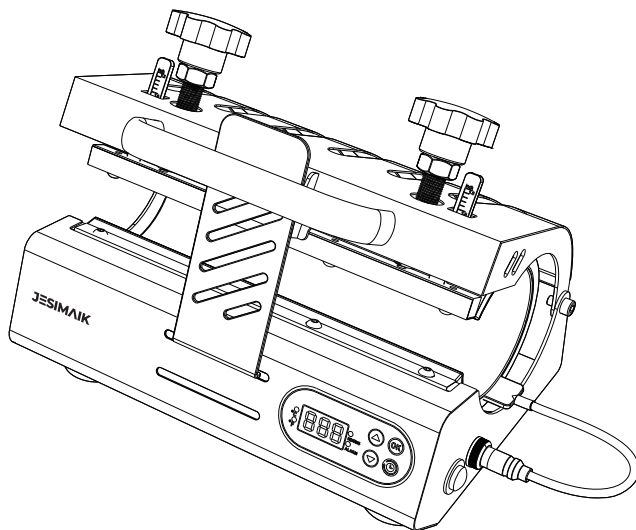


**JESIMAIK**

# JM-T02 Tumbler Mug Press

## Starry Series



User's Guide/Safety Precautions

---



## Before Using the Tumbler Mug Press

### **Check the following supplied accessories.**

1×Tumbler Press Machine

1×Power Cord

A Pair of Heat Gloves

1×User Manual

2×Spare Fuses

Check whether the appearance and status of the product is good and whether the machine can work properly.

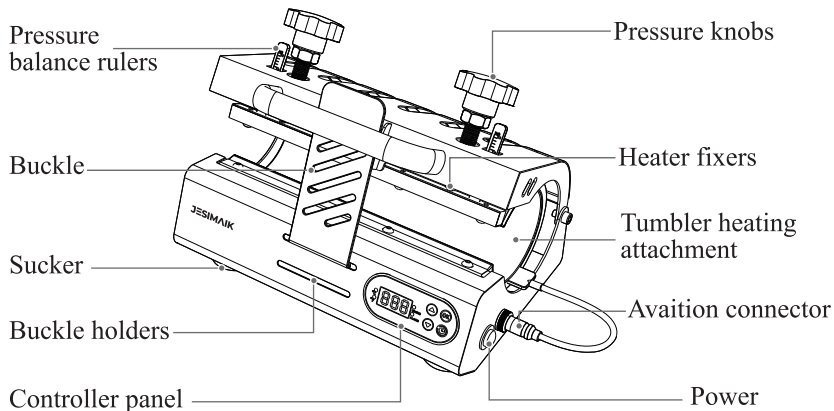
**Note:** The smell is normal and is produced by the special material of the tumbler attachment.

If there is any problem after the checking, please message our support email box: [support@jesimaik.com](mailto:support@jesimaik.com). JESIMAIK Service Team will offer you a satisfying solution.

# About JM-T02 Tumbler Mug Press

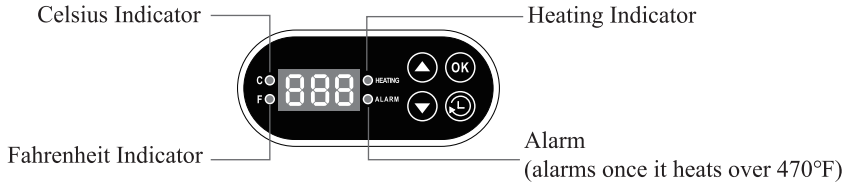
## Specifications

Name	Tumbler Mug Press	Voltage	110V
Temperature	46-400°F	Power	500W
Time	0-999s	Item Size	12.3×9.2×6.4inch
Fitting Cups	Diameter: 2.65-3.4inches Height: 10.6inches max	Item Weight	9.86Lbs/ 4.46kg



**Note:** ±0.1inch error is allowed on pressure balance rulers.

# LCD Screen



## Switch the temperature unit



1. Long press "OK" button for 3s until "P-3" shown on the panel.



2. Press "△" for Celsius, "▽" for Fahrenheit, and the corresponding indicator will light.

**Note:** This will not work without rebooting. Please restart the machine and reset the temperature after switching the unit.

## Set the heat temperature and countdown



1. Press "OK" button once, "P-1" displayed, and then press " $\Delta$ " or " $\nabla$ " to set temperature.



2. Press "OK" button again, "P-2" displayed, and the press " $\Delta$ " or " $\nabla$ " to set countdown time.



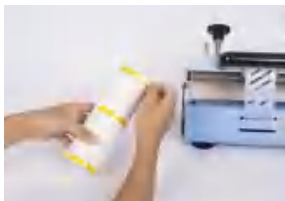
3. Press "OK" button third times to save the setting and exit the setting mode.

# Operation Steps Guide

## Preparation works before heat press



1. Print a design on a sublimation paper.



2. Wrap and tape the paper on a tumbler tightly and flatly.



3. Measure the diameter of tumbler, and confirm a suitable pressure.



4. Open the heater, put the tumbler into it and buckle well.



5. Twist 2 pressure knobs at the same time to adjust to the pressure value.



6. Double check the pressure: the tumbler won't move by pushing its bottom.

**Note:** The 2 buckle holders are designed for a easier operation and pressing more cups.

## Steps to heat press a tumbler/glass



1. Connect the aviation connector and power cord well, and then turn on the machine.



2. Set temperature and countdown time for your cups.



3. Waiting for the machine heats to the set temperature. (3 beeps when the heat is reached)



4. Put the wrapped tumbler into the heater and buckle the machine well.



5. Press "⏻" to start the timer, and there will be 3 beeps when it finishes.



6. Hearing the beeps, unlock the buckle and pull up the handle.



7. Flip the tumbler 180°, set a temperature, time for the other side.



8. Pull down the handle and buckle well, and press "⏻" to start the timer.



9. Hearing the beeps again, take out the tumbler, turn off the power and check the results.

### Note:

- Steps 7-9 are for a full sublimation tumbler. The second heat press is to sublimate the open part of the cup.
- After the timer finishes, the panel shows "0", and you need to press the "⏻" to let temperature displayed.

## Steps to heat press a mug or 2 mugs



1. Connect the aviation connector and power cord well, and then turn on the machine.



2. Set temperature and countdown time for your mugs.



3. Waiting for the machine heats to the set temperature. (3 beeps when the heat is reached)



4. Put 1 or 2 mugs in. Make sure the handle is placed well in case of breaking.



5. Press “⌚” to start the timer, and there will be 3 beeps when it finishes.



6. Hearing the beeps, take out the mugs, turn off the power and check the results.

**Note:** If the design cannot be fully sublimated in a press, adjust the position of the mug and then heat press the untransferred part.

## How to Change the Heater?



1. Turn off the machine, and unplug the connecting cable of the heater.



2. Unscrew the heater.



3. Take out the heater from the left or right side.



4. Put the new heater in, make sure all the screw holes coincide.



5. Fix the new heater with the screws in the amount it needs.



6. Plug in the connecting cable.

**Note:** Spared tumbler heater is not included.

**Q:** When do I need to change the heater?

**A:** The heating attachment is consumable, normally requiring a replacement every 3-6 months.

It's a must to change the heater when the heater bubbles or heats improperly.

If it's under the warranty, please message to JESIMAIK support email for a free replacement attachment.

# How to Change the Fuse?



1. Turn off and unplug the power.



2. Pry off the fuse holder cover and take away.



3. Take out the old fuse and put in the new one (15A, 5×20mm).



4. Close the fuse cover.



5. Make sure the fuse is installed tightly.



6. Plug in and turn on the power.

# Printing Parameters

## Printing Parameters Reference

Material	Machine Status	Temperature	Time
Straight stainless steel tumbler	Hot( > 140°F)	356°F-365°F	50s+50s/90s+40s
Porcelain mug	Hot( > 140°F)	374°F-392°F	200s
Glass tumbler	Hot( > 140°F)	356°F-378°F	300s+200s/ 60s+60s

**Note:** The parameters above are for reference only. Please test first to find the best parameters for your cups before massive production.

# Trouble Shooting

Faults	Possible Causes	Solutions
No display after powering up.	Poor outlet contact or the fuse is burnt.	<ol style="list-style-type: none"> <li>1. Check the power and the outlet.</li> <li>2. Make sure the heater attachment is well connected.</li> <li>3. Replace with the spare fuse.</li> </ol>
Cannot heat up to the set temperature.	The heating attachment is burnt out.	<p>Replace the heating attachment, which is available on JESIMAIK store.</p> <p>If it's under the warranty, please email JESIMAIK for a free one.</p>
There is a strong odor.	The material of the attachment is with a smell.	<p>The smell is normal.</p> <ol style="list-style-type: none"> <li>1. It will decrease with the using times, but won't disappear.</li> <li>2. Use it in a ventile place, open doors and windows.</li> </ol>
Unclear, faded results.	Insufficient pressure, temperature, or press time.	<ol style="list-style-type: none"> <li>1. Check the pressure if it's suitable.</li> <li>2. Increase the temperature or time.</li> <li>3. Make sure the paper is wrapped to tumblers flatly and tightly.</li> </ol>
Darkened, deep color, tumblers burnt.	Too high temperature and long press time.	Decrease the temperature and time.

<p>There are lines on the tumbler</p>	<p>The printer print the sublimation design badly.</p>	<p>Clean the printer and check the image on the paper before sublimation.</p>
<p>The ink from the sublimation paper bleed into the attachment.</p>	<ol style="list-style-type: none"> <li>1.The transfer paper is too thin.</li> <li>2.The ink is not dry enough.</li> </ol>	<ol style="list-style-type: none"> <li>1.Wrap a butcher paper to protect it.</li> <li>2.Wait the paper dry enough after printing well.</li> <li>3.Replace the dirt attachment.</li> </ol>
<p>Hard to twist the knobs.</p>	<p>One knobs get stuck.</p>	<ol style="list-style-type: none"> <li>1.Twist the one without stuck to the same level as another first.</li> <li>2.Twist both knobs at the same time.</li> </ol>
<p>"0" displayed on the panel after heat press.</p>	<p>Timer finishes and panel haven't backed to the temperature showing status.</p>	<p>Press the "Ⓢ" and temperature will be shown.</p>

# Warranty

The product is with a 6-month warranty from the date of purchase (damages from normal wear and tear, alteration, misuse, neglect, accident, service by anyone other than the authorized service center, or act of God are not included).

During the warranty period and upon verification of defects, this product will be replaced or returned with proof of purchase.

## Customer Support

If you need help regarding product issues, after-sales service, or other relevant problems, please contact us via email: [support@jesimaik.com](mailto:support@jesimaik.com), and provide the following information:

- Order ID
- Problem description

**E-mail:** [support@jesimaik.com](mailto:support@jesimaik.com)

**Website:** [www.jesimaik.com](http://www.jesimaik.com)

**FC** MADE IN CHINA

