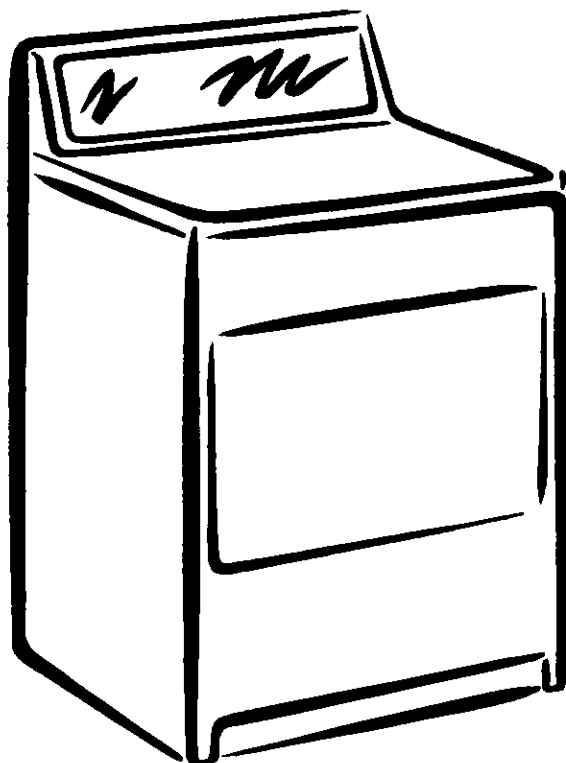


Owner's Manual and Installation Instructions



27-Inch Wide ELECTRIC DRYERS



ENGLISH ESPAÑOL



IMPORTANT:

Read and follow all safety
and operating instructions
before first use of this product.

Sears, Roebuck and Co., Hoffman Estates, IL 60179 U.S.A.
www.sears.com

3979091A

PRINTED IN U.S.A.

1/01

TABLE OF CONTENTS

BEFORE USING YOUR NEW DRYER	2
KENMORE ELECTRIC DRYER WARRANTY	3
DRYER SAFETY	4
INSTALLATION INSTRUCTIONS	6
OPERATING YOUR DRYER	20
LAUNDRY TIPS	27
CARING FOR YOUR DRYER	29
TROUBLESHOOTING	33
WE SERVICE WHAT WE SELL	35

BEFORE USING YOUR NEW DRYER

Please read this manual. It will help you install and operate your new Kenmore dryer in the most economical way.

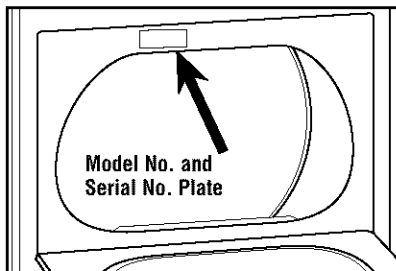
If you need more information about the care and operation of Kenmore appliances call your nearest Sears store. You will need the complete model and serial numbers when requesting information. Your dryer's model and serial numbers are located on the Model and Serial Number Plate.

Use the space below to record the model number and serial number of your new Kenmore dryer.

Model No.

Serial No.

Date of Purchase



Keep this book and your Sears Salescheck (receipt) in a safe place for future reference.

KENMORE ELECTRIC DRYER WARRANTY

Full One Year Warranty on Mechanical and Electrical Parts

For one year from the date of purchase, if this dryer is installed and operated according to the instructions in this manual, Sears will repair or replace any of its mechanical or electrical parts if they are defective in material or workmanship.

NOTE: Exhausting your dryer with a plastic vent may void this warranty. See "Installation Instructions" for the complete exhaust requirements for this dryer.

Warranty Restriction

If the dryer is subjected to other than private family use, all warranty coverage is effective for only 90 days.

Warranty Service

Warranty service is available by contacting your nearest Sears Service Center in the United States.

This warranty applies only while this dryer is in use in the United States.

This warranty gives you specific legal rights, and you may also have other rights which vary from state to state.

**Sears, Roebuck and Co., Dept. 817WA,
Hoffman Estates, IL 60179.**

For Sears Warranty information or to contact a Sears Service Center, please reference the service numbers located on the back page of this manual.

ENGLISH

DRYER SAFETY

Your safety and the safety of others are very important.

We have provided many important safety messages in this manual and on your appliance. Always read and obey all safety messages.



This is the safety alert symbol. This symbol alerts you to potential hazards that can kill or hurt you and others. All safety messages will follow the safety alert symbol and either the word "DANGER" or "WARNING." These words mean:

⚠ DANGER

You can be killed or seriously injured if you don't immediately follow instructions.

⚠ WARNING

You can be killed or seriously injured if you don't follow instructions.

All safety messages will tell you what the potential hazard is, tell you how to reduce the chance of injury, and tell you what can happen if the instructions are not followed.

IMPORTANT SAFETY INSTRUCTIONS

WARNING: To reduce the risk of fire, electric shock, or injury to persons when using the dryer, follow basic precautions, including the following:

- Read all instructions before using the dryer.
- Do not place items exposed to cooking oils in your dryer. Items contaminated with cooking oils may contribute to a chemical reaction that could cause a load to catch fire.
- Do not dry articles that have been previously cleaned in, washed in, soaked in, or spotted with gasoline, dry-cleaning solvents, other flammable, or explosive substances as they give off vapors that could ignite or explode.
- Do not allow children to play on or in the dryer. Close supervision of children is necessary when the dryer is used near children.
- Before the dryer is removed from service or discarded, remove the door to the drying compartment.
- Do not reach into the dryer if the drum is moving.
- Do not install or store the dryer where it will be exposed to the weather.
- Do not tamper with controls.
- Do not repair or replace any part of the dryer or attempt any servicing unless specifically recommended in this Owner's Manual or in published user-repair instructions that you understand and have the skills to carry out.
- Do not use fabric softeners or products to eliminate static unless recommended by the manufacturer of the fabric softener or product.
- Do not use heat to dry articles containing foam rubber or similarly textured rubber-like materials.
- Clean lint screen before or after each load.
- Keep area around the exhaust opening and adjacent surrounding areas free from the accumulation of lint, dust, and dirt.
- The interior of the dryer and exhaust vent should be cleaned periodically by qualified service personnel.
- See the "INSTALLATION INSTRUCTIONS" section for grounding requirements.

SAVE THESE INSTRUCTIONS

ENGLISH

INSTALLATION INSTRUCTIONS

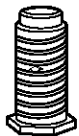
Tools and Parts

Check that you have everything necessary for correct installation. Proper installation is your responsibility.

- flat-blade screwdriver
- adjustable wrench that opens to 1 in. or hex-head socket wrench (for adjusting dryer feet)
- level
- wire stripper (direct wire installations)
- #2 Phillips screwdriver
- safety glasses
- duct tape
- caulking gun and compound (for installing new exhaust vent)
- gloves
- tin snips (new vent installations)

Parts supplied:

Remove parts package from dryer drum. Check that all parts were included.



4 leveling legs

Parts needed:

Check local codes, check existing electrical supply and venting and see "Electrical Requirements" and "Venting Requirements" before purchasing parts.

Mobile home installations require:

- Metal exhaust system hardware available for purchase from your local Sears store or Sears Service Center.

Location Requirements

⚠ WARNING



Explosion Hazard

Keep flammable materials and vapors, such as gasoline, away from dryer.

Place dryer at least 18 inches (46 cm) above the floor for a garage installation.

Failure to do so can result in death, explosion, or fire.

You will need

- A location that allows for proper exhaust installation. See "Venting Requirements."
- A separate 30 amp circuit.
- A grounded electrical outlet located within 2 ft (61 cm) of either side of the dryer. See "Electrical Requirements."
- A sturdy floor to support the total dryer weight of 200 lbs (90.7 kg).
- A level floor with a maximum slope of 1 in. (2.5 cm) under entire dryer. (If slope is greater than 1 in. [2.5 cm], install Extended Dryer Feet kit, Part No. 279810.) Clothes may not tumble properly and models with automatic sensor cycles may not operate correctly if dryer is not level.

Do not operate your dryer at temperatures below 45°F (7°C). At lower temperatures, the dryer might not shut off at the end of an automatic cycle. Drying times can be extended.

Install the dryer where it is protected from water and/or weather.

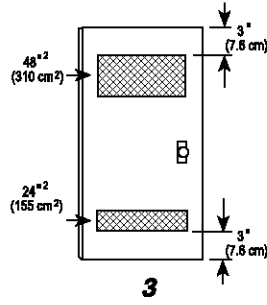
Check code requirements. Some codes limit, or do not permit, installation of the dryer in garages, closets, mobile homes, or sleeping quarters. Contact your local building inspector.

Installation Clearances

Most installations require a minimum 5 1/2 in. (14 cm) clearance behind the dryer for the exhaust vent with elbow. See "Venting Requirements." The location must be large enough to fully open the dryer door.

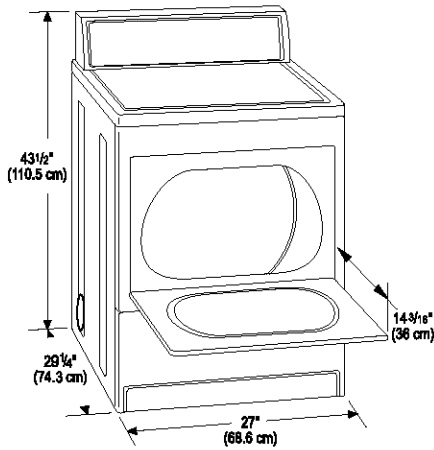
Recommended/Minimum Clearances

Recessed Back and Closet	Sides	Top	Front (Closet only)
5 1/2" / 0" (14 cm)	1" / 0" (2.5 cm)	18" / 18" (45.7 cm)	1" / 1" (2.5 cm)



1. Recessed Area
2. Side view - closet or confined area
3. Closet door with vents

Dryer Dimensions

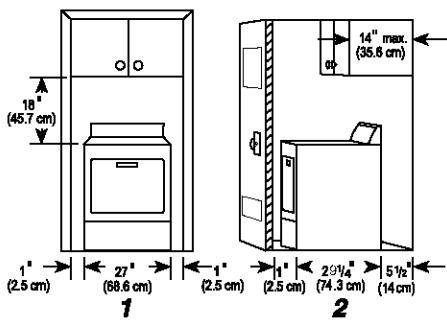


- Additional spacing should be considered for ease of installation and servicing.
- Additional clearances might be required for wall, door and floor moldings.
- Additional spacing of 1 in. (2.5 cm) on all sides of the dryer is recommended to reduce noise transfer.
- For closet installation, with a door, minimum ventilation openings in the top and bottom of the door are required. Louvered doors with equivalent ventilation openings are acceptable.
- Companion appliance spacing should also be considered.

ENGLISH

Recommended installation spacing for recessed area or closet installation

The dimensions shown following are for the recommended spacing allowed, except the closet door ventilation openings. The dimensions shown for the closet door ventilation openings are the minimum spacings required.



Mobile Home-Additional Installation Requirements

This dryer is suitable for mobile home installations. The installation must conform to the Manufactured Home Construction and Safety Standard, Title 24 CFR, Part 3280 (formerly the Federal Standard for Mobile Home Construction and Safety, Title 24, HUD Part 280).

Mobile home installations require:

- Metal exhaust system hardware which is available for purchase from your local Sears store or Sears Service Center.
- Special provisions must be made in mobile homes to introduce outside air into the dryer. The opening (such as a nearby window) should be at least twice as large as the dryer exhaust opening.



Electrical Requirements

It is your responsibility:

- To contact a qualified electrical installer.
- To be sure that the electrical connection is adequate and in conformance with the National Electrical Code, ANSI/NFPA 70-latest edition and all local codes and ordinances.

A copy of the above code standards can be obtained from: National Fire Protection Association, Batterymarch Park, Quincy, MA 02269.

- To supply the required 3 or 4 wire, single phase, 120/240-volt, 60-Hz., AC-only electrical supply (or 3 or 4 wire, 120/208-volt electrical supply, if specified on the serial/rating plate) on a separate 30-amp circuit, fused on both sides of the line. A time-delay fuse or circuit breaker is recommended. Connect to an individual branch circuit. Do not have a fuse in the neutral or grounding circuit.
- Do not use an extension cord.
- If codes permit and a separate ground wire is used, it is recommended that a qualified electrician determine that the ground path is adequate.

Electrical Connection

To properly install your dryer, you must determine the type of electrical connection you will be using and follow the instructions provided for it here.

- If local codes do not permit the connection of a cabinet ground connector to the neutral wire, see "Direct Wire or Power Supply Cord."
- This dryer is manufactured with a 3-wire, cabinet-ground conductor connected to the NEUTRAL (white or center wire) of the wiring harness at the terminal block.
- Use a 4-wire conductor cord when the dryer is installed in a mobile home or an area where local codes do not permit grounding through the neutral.

If using a power supply cord:

Dryer power supply cord must be:

- UL-listed
- 120/240 volt minimum
- 30 amp
- Type SRD or SRDT
- At least 4 ft (122 cm) long

The wires that connect to the dryer must end in ring terminals or spade terminals with upturned ends.

If your outlet looks like this:



4-wire receptacle (14-30R)

Then choose a 4-wire power supply cord with ring or spade terminals and UL approved strain relief. The 4-wire power supply cord, at least 4 ft (122 cm) long, must have 4, 10 gauge solid copper wires and match a 4-wire receptacle of NEMA Type 14-30R. The ground wire (ground conductor) may be either green or bare. The neutral conductor must be identified by a white cover.

If your outlet looks like this:



3-wire receptacle (10-30R)

Then choose a 3-wire power supply cord with ring or spade terminals and UL approved strain relief. The 3-wire power supply cord, at least 4 ft (122 cm) long, must have 3, No.-10 copper wires and match a 3-wire receptacle of NEMA Type 10-30R.

If connecting by direct wire:

Power supply cable must match power supply (4-wire or 3-wire) and be:

- Flexible armored or non-metallic sheathed copper cable (with ground wire). All current-carrying wires must be insulated.
- 10 gauge solid copper wire (do not use aluminum).
- At least 4 ft (122 cm) long.

GROUNDING INSTRUCTIONS

- For a grounded, cord-connected dryer:

This dryer must be grounded. In the event of malfunction or breakdown, grounding will reduce the risk of electric shock by providing a path of least resistance for electric current. This dryer uses a cord having an equipment-grounding conductor and a grounding plug. The plug must be plugged into an appropriate outlet that is properly installed and grounded in accordance with all local codes and ordinances.

- For a permanently connected dryer:

This dryer must be connected to a grounded metal, permanent wiring system, or an equipment-grounding conductor must be run with the circuit conductors and connected to the equipment-grounding terminal or lead on the dryer.

WARNING: Improper connection of the equipment-grounding conductor can result in a risk of electric shock. Check with a qualified electrician or service representative or personnel if you are in doubt as to whether the appliance is properly grounded. Do not modify the plug on the power supply cord. If it will not fit the outlet, have a proper outlet installed by a qualified electrician.

SAVE THESE INSTRUCTIONS

ENGLISH

Electrical Connection

Power Supply Cord

⚠ WARNING



Fire Hazard

Use a new UL approved 30 amp power supply cord.

Use a UL approved strain relief.

Disconnect power before making electrical connections.

Connect neutral wire (white or center wire) to center terminal (silver).

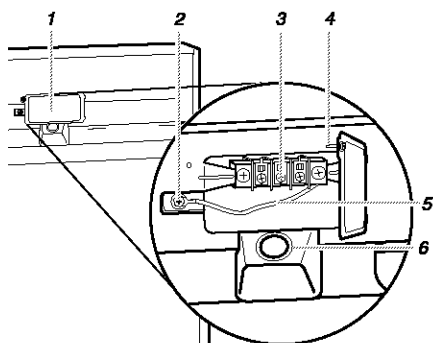
Ground wire (green or bare wire) must be connected to green ground connector.

Connect remaining 2 supply wires to remaining 2 terminals (gold).

Securely tighten all electrical connections.

Failure to do so can result in death, fire, or electrical shock.

1. Disconnect power.
2. Remove the hold-down screw and terminal block cover.



1. Terminal block cover
2. External ground connector
3. Center, silver-colored terminal-block screw
4. Hold-down screw location
5. Neutral grounding wire (green/yellow)
6. Hole below terminal block opening

Direct Wire

⚠ WARNING



Fire Hazard

Use 10 gauge solid copper wire.

Use a UL approved strain relief.

Disconnect power before making electrical connections.

Connect neutral wire (white or center wire) to center terminal (silver).

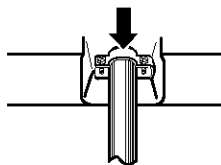
Ground wire (green or bare wire) must be connected to green ground connector.

Connect remaining 2 supply wires to remaining 2 terminals (gold).

Securely tighten all electrical connections.

Failure to do so can result in death, fire, or electrical shock.

3. Assemble a $\frac{3}{4}$ in. (1.9 cm) UL approved strain relief (UL marking on strain relief) into the hole below the terminal block opening. Tighten strain relief screws just enough to hold the two clamp sections together. Put power supply cord through the strain relief. The strain relief should have a tight fit with the dryer cabinet and be in a horizontal position.







4. Now complete installation following instructions for your type of electrical connection:

4-wire (recommended)

3-wire (if 4-wire is not available)

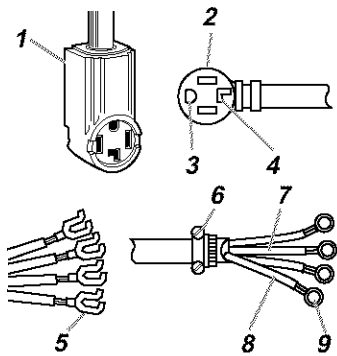
Electrical Connection Options

If your home has:	And you will be connecting to:	Go to Section:
4-wire receptacle (NEMA Type 14-30R) 	A UL listed, 120/240 volt minimum, 30 amp., dryer power supply cord*	4-wire connection: Power supply cord
4-wire direct 	A fused disconnect or circuit breaker Direct Wire box*	4-wire connection: Direct Wire box
3-wire receptacle (NEMA type 10-30R) 	A UL listed, 120/240 volt minimum, 30 amp., dryer power supply cord*	3-wire connection: Power supply cord
3-wire direct 	A fused disconnect or circuit breaker Direct Wire box*	3-wire connection: Direct Wire box

*If local codes do not permit the connection of a frame-grounding conductor to the neutral wire, go to "Direct Wire or Power Supply Cord" section.

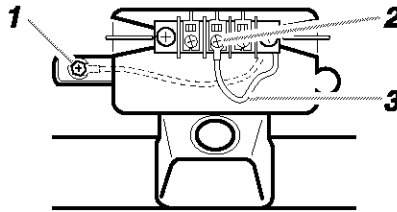
4-wire connection: Power supply cord

IMPORTANT: A 4-wire connection is required for mobile homes and where local codes do not permit the use of 3-wire connections



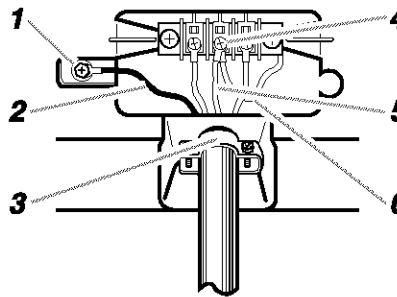
1. 4-wire receptacle (NEMA type 14-30R)
2. 4-prong plug
3. Ground prong
4. Neutral prong
5. Spade terminals with upturned ends
6. $\frac{3}{4}$ in. (1.9 cm) UL approved strain relief
7. NEUTRAL wire (white)
8. Ground wire (green or bare)
9. Ring terminals

1. Remove center terminal block screw.
2. Remove appliance ground wire (green with yellow stripes) from external ground connector screw. Fasten it under center, silver colored terminal block screw.



1. External ground connector - Dotted line shows position of NEUTRAL ground wire before being moved to center terminal block screw
2. Center silver-colored terminal block screw
3. Green/yellow wire of harness

3. Connect ground wire (green or bare) of power supply cord to external ground conductor screw. Tighten screw.
4. Connect neutral wire (white or center wire) of power supply cord under center screw of the terminal block.



1. External ground connector
2. Green wire of power supply cord or bare copper wire
3. $\frac{3}{4}$ in. (1.9 cm) UL-listed strain relief
4. Center silver-colored terminal block screw
5. Neutral wire (white)
6. Neutral grounding wire (green/yellow)

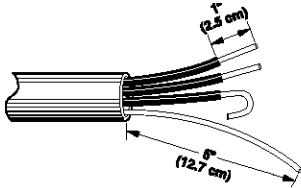
5. Connect the other wires to outer terminal block screws. Tighten screws.
6. Tighten strain relief screws.
7. Insert tab of terminal block cover into slot of dryer rear panel. Secure cover with hold-down screw.

4-wire connection: Direct Wire

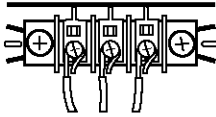
IMPORTANT: A 4-wire connection is required for mobile homes and where local codes do not permit the use of 3-wire connections.

Direct wire cable must have 4 ft (122 cm) of extra length so dryer can be moved if needed.

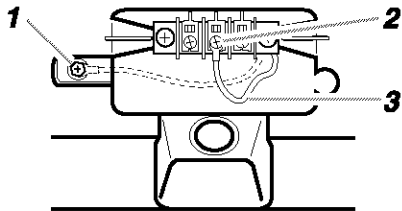
Strip 5 in. (12.7 cm) of outer covering from end of cable, leaving bare ground wire at 5 in. (12.7 cm). Cut 1½ in. (3.8 cm) from 3 remaining wires. Strip insulation back 1 in. (2.5 cm). Shape ends of wires into a hook shape.



When connecting to the terminal block, place the hooked end of the wire under the screw of the terminal block (hook facing right), squeeze hooked end together and tighten screw.

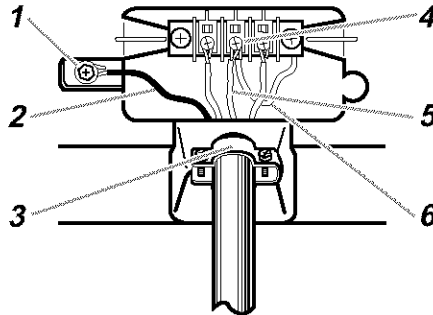


1. Remove center terminal block screw.
2. Remove appliance ground wire (green with yellow stripes) from external ground connector screw. Fasten it under center, silver colored terminal block screw.



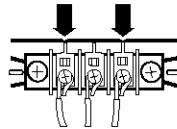
1. External ground connector - Dotted line shows position of NEUTRAL ground wire before being moved to center terminal block screw
2. Center silver-colored terminal block screw
3. Green/yellow wire of harness

3. Connect ground wire (green or bare) of power supply cable to external ground conductor screw. Tighten screw.
4. Place the hooked end of the neutral wire (white or center wire) of power supply cable under the center screw of terminal block (hook facing right). Squeeze hooked end together. You now have the appliance ground wire and the neutral wire on the same terminal. Tighten screw.



1. External ground connector
2. Green wire of power supply cord or bare copper wire
3. ¾" (1.9 cm) UL-listed strain relief
4. Center silver-colored terminal block screw
5. Neutral wire (white)
6. Neutral grounding wire (green/yellow)

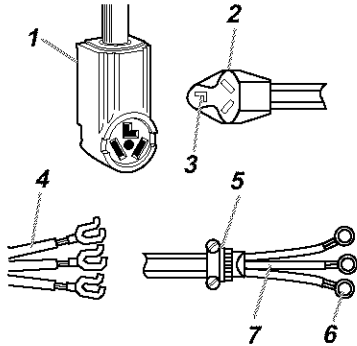
5. Place the hooked ends of the other power supply cable wires under the outer terminal block screws (hooks facing right). Squeeze hooked ends together. Tighten screws.



6. Tighten strain relief screws.
7. Insert tab of terminal block cover into slot of dryer rear panel. Secure cover with hold-down screw.

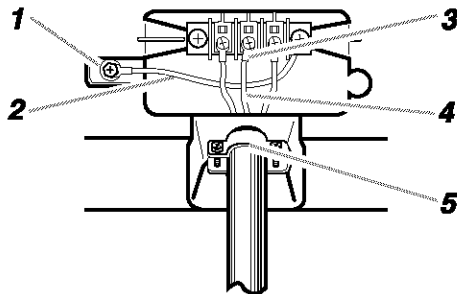
3-wire connection: Power supply cord

Use where local codes permit connecting cabinet-ground conductor to neutral wire:



1. 3-wire receptacle (NEMA type 10-30R)
2. 3-wire plug
3. Neutral prong
4. Spade terminals with up turned ends
5. $\frac{3}{4}$ " (1.9 cm) UL approved strain relief
6. Ring terminals
7. Neutral (white or center wire)

1. Loosen or remove center terminal block screw.
2. Connect neutral wire (white or center wire) of power supply cord to the center, silver colored terminal screw of the terminal block. Tighten screw.



1. External ground connector
2. Neutral grounding wire (green/yellow)
3. Center silver-colored terminal block screw
4. Neutral wire (white)
5. $\frac{3}{4}$ " (1.9 cm) UL-listed strain relief

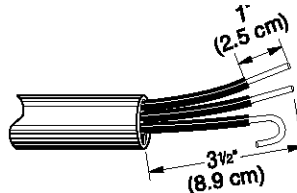
3. Connect the other wires to outer terminal block screws. Tighten screws.
4. Tighten strain relief screws.
5. Insert tab of terminal block cover into slot of dryer rear panel. Secure cover with hold-down screw.

3-wire connection: Direct Wire

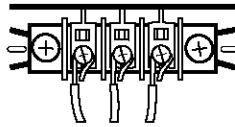
Use where local codes permit connecting cabinet-ground conductor to neutral wire.

Direct wire cable must have 4 ft (122 cm) of extra length so dryer can be moved if needed.

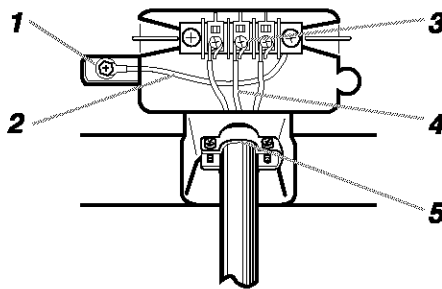
Strip $3\frac{1}{2}$ in. (8.9 cm) of outer covering from end of cable. Strip insulation back 1 in. (2.5 cm). If using 3-wire cable with ground wire, cut bare wire even with outer covering. Shape ends of wires into a hook shape.



When connecting to the terminal block, place the hooked end of the wire under the screw of the terminal block (hook facing right), squeeze hooked end together and tighten screw.



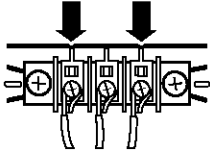
1. Loosen or remove center terminal block screw.
2. Place the hooked end of the neutral wire (white or center wire) of power supply cable under the center screw of terminal block (hook facing right). Squeeze hooked end together. Tighten screw.



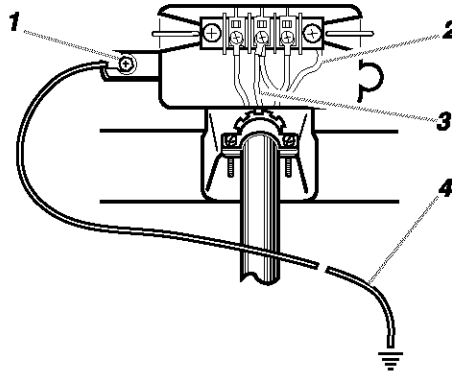
1. External ground connector
2. Neutral grounding wire (green/yellow)
3. Center silver-colored terminal block screw
4. Neutral wire (white)
5. $\frac{3}{4}$ " (1.9 cm) UL-listed strain relief

ENGLISH

- Place the hooked ends of the other power supply cable wires under the outer terminal block screws (hooks facing right). Squeeze hooked ends together. Tighten screws.



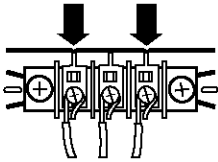
- Tighten strain relief screws.
- Insert tab of terminal block cover into slot of dryer rear panel. Secure cover with hold-down screw.



- External ground connector
- Neutral grounding wire (green/yellow)
- Neutral wire (white)
- Grounding path determined by a qualified electrician

Direct Wire or Power Supply Cord
Use where local codes do not permit connecting cabinet-ground conductor to neutral wire.

- Remove center terminal block screw.
- Remove appliance ground wire (green with yellow stripes) from external ground connector screw. Connect appliance ground wire and the neutral wire (white or center wire) of power supply cord/cable under center, silver colored terminal block screw. Tighten screw.
- Connect the other wires to outer terminal block screws. Tighten screws.



- Tighten strain relief screws.
- Insert tab of terminal block cover into slot of dryer rear panel. Secure cover with hold-down screw.
- Connect a separate copper ground wire from the external ground connector screw to an adequate ground.

Venting Requirements

!WARNING



Fire Hazard

Use a heavy metal vent.
Do not use a plastic vent.
Do not use a metal foil vent.
Failure to follow these instructions can result in death or fire.

WARNING: To reduce the risk of fire, this dryer **MUST BE EXHAUSTED OUTDOORS.**

4 in. (10.2 cm) heavy metal exhaust vent and clamps must be used. DURASAFE™ venting products are recommended and are available from your local Sears store or Sears Service Center.

DURASAFE vent products can be purchased from your dealer. For further information, please reference the service numbers located on the back page of this manual.

Visit our Internet site at: www.sears.com

- Do not exhaust the dryer into any gas vent, chimney, wall, ceiling, or a concealed space of a building.
- Do not use an exhaust hood with a magnetic latch.
- Do not install flexible metal vent in enclosed walls, ceilings or floors.
- Do not use screws or other fastening devices that extend into the interior of the vent to secure vent.

IMPORTANT: Observe all governing codes and ordinances.

Improper venting can cause moisture and lint to collect indoors, which may result in:

- Moisture damage to woodwork, furniture, paint, wallpaper, carpets, etc.
- Housecleaning problems and health problems.

Use a heavy metal vent. Do not use plastic or metal foil vent.

Rigid metal vent is recommended to prevent crushing and kinking.

Flexible metal vent must be fully extended and supported when the dryer is in its final position. Remove excess flexible metal vent to avoid sagging and kinking that may result in reduced airflow.

An exhaust hood should cap the vent to prevent rodents and insects from entering the home.

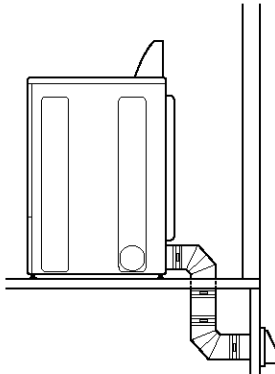
Exhaust hood must be at least 12 in. (30.5 cm) from the ground or any object that may be in the path of the exhaust (such as flowers, rocks or bushes, etc.).

If using an existing vent system, clean lint from the entire length of the system and make sure exhaust hood is not plugged with lint. Lint should be removed again every 2 years, or more often, depending on dryer usage. Replace any plastic or metal foil vent with rigid metal or flexible metal vent.

Use duct tape to seal all joints.

Special provisions for mobile home installations

The exhaust vent must be securely fastened to a noncombustible portion of the mobile home structure. Do not use screws or other fastening devices that extend into the interior of the vent to secure vent.

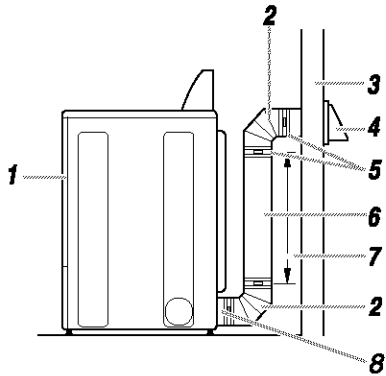


Terminate the exhaust vent outside. The exhaust vent must not terminate beneath the mobile home and must not be connected to any other duct, vent or chimney.

ENGLISH

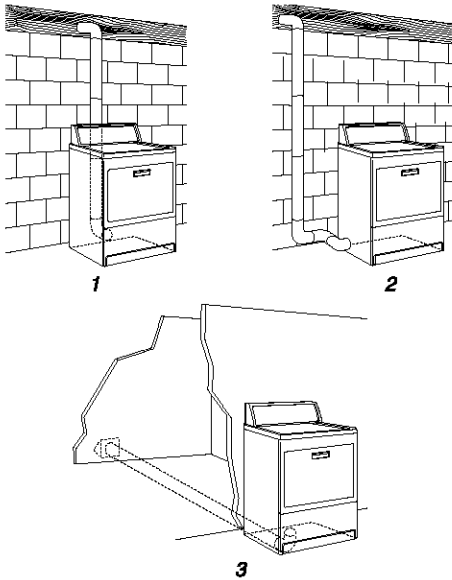
Determine Vent Length

Typical installations vent the dryer from the rear of the dryer. Other installations are possible.



1. Dryer
2. Elbow
3. Wall
4. Exhaust hood
5. Duct tape and clamps
6. Rigid metal or flexible metal vent
7. Vent length necessary to connect elbows
8. Exhaust outlet

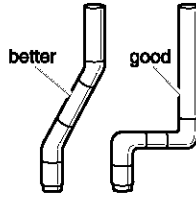
Standard exhaust installations with rigid metal or flexible metal vent



1. Standard rear offset exhaust installation
2. Left or right side exhaust installation
3. Bottom exhaust installation

1. Select the route that will provide the straightest and most direct path outdoors. Plan the installation to use the fewest number of elbows and turns.

When using elbows or making turns, allow as much room as possible. Bend vent gradually to avoid kinking. Avoid 90° turns.

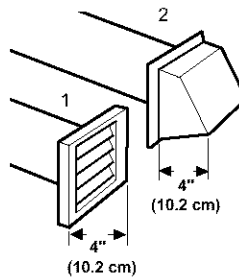


Determine vent length

The maximum length of the exhaust system depends upon:

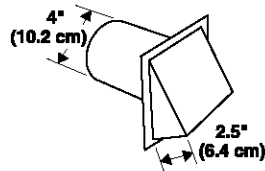
- The type of vent (rigid metal or flexible metal).
- The number of elbows used.

Recommended hood styles are shown here.



1. Louvered hood style
2. Box hood style

The angled hood style (shown following) is acceptable.



2. See the exhaust vent length chart that matches your hood type for the maximum vent lengths you can use.

Do not use vent runs longer than those specified in Vent Length Chart.

Exhaust systems longer than those specified will:

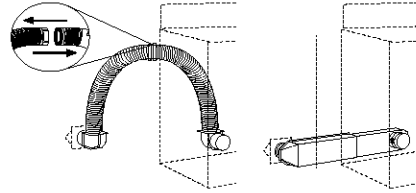
- Shorten the life of the dryer.
- Reduce performance, resulting in longer drying times and increased energy usage.

3. Determine the number of elbows you will need.

In the column listing the type of metal vent you are using (rigid metal or flexible metal), find the maximum length of metal vent on the same line as the number of elbows.

Alternate installations for close clearances

Venting systems come in many varieties. Select the type best for your installation. Two close-clearance installations are shown. Refer to the manufacturer's instructions.



1. Over-The-Top installation (also available with one offset elbow)
2. Periscope installation

Vent Length Chart

Number of 90° turns or elbows	Type of vent	Box or Louvered hoods	Angled hoods
0	Rigid metal	64 ft (20 m)	58 ft (17.7 m)
	Flexible metal	36 ft (11 m)	28 ft (8.5 m)
1	Rigid metal	54 ft (16.5 m)	48 ft (14.6 m)
	Flexible metal	31 ft (9.4 m)	23 ft (7 m)
2	Rigid metal	44 ft (13.4 m)	38 ft (11.6 m)
	Flexible metal	27 ft (8.2 m)	19 ft (5.8 m)
3	Rigid metal	35 ft (10.7 m)	29 ft (8.8 m)
	Flexible metal	25 ft (7.6 m)	17 ft (5.2 m)
4	Rigid metal	27 ft (8.2 m)	21 ft (6.4 m)
	Flexible metal	23 ft (7 m)	15 ft (4.6 m)

NOTE: Side and bottom exhaust installations have a 90° turn inside the dryer. To determine maximum exhaust length, add one 90° turn to the chart.

Side and bottom installations

This dryer can be converted to exhaust out the right side, left side, or through the bottom.

⚠ WARNING



Fire Hazard

Cover unused exhaust holes with one of the following kits:

- 279818 (white)**
- 279819 (almond)**
- 279915 (graphite)**
- 279925 (biscuit)**

Contact your local dealer.

Failure to follow these instructions can result in death, fire, electrical shock, or serious injury.

ENGLISH



Install Vent System

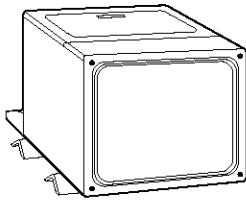
1. (Optional) Put on safety glasses and gloves.
2. Install exhaust hood. Use caulking compound to seal exterior wall opening around exhaust hood.
3. Connect vent to exhaust hood. Vent must fit inside exhaust hood. Secure vent to exhaust hood with 4 in. (10.2 cm) clamp.
4. Run vent to dryer location. Use the straightest path possible. See "Determine Vent Length." Avoid 90° turns. Use duct tape to seal all joints.

Install Leveling Legs

⚠ WARNING

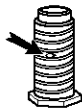
Excessive Weight Hazard
Use two or more people to move and install dryer.
Failure to do so can result in back or other injury.

1. Place two of the carton corner posts on the floor behind the back of the dryer. See illustration.
2. Firmly grasp the body of the dryer (not the top or console panel).



Gently lay the dryer on the cardboard corners.

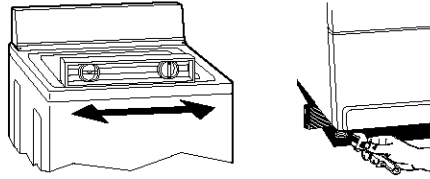
3. Examine the leveling legs. Find the diamond marking.



4. Screw the legs into the leg holes by hand. Use a wrench to finish turning the legs until the diamond marking is no longer visible.
5. Stand the dryer up. Move it close to its final location. Leave enough room to connect the exhaust vent.

Level Dryer

Check the levelness of the dryer. Check levelness first side-to-side, then front-to-back.



If the dryer is not level, prop up the dryer using a wood block. Use a wrench to adjust the legs up or down and check again for levelness.

NOTE: It might be necessary to level the dryer again after it is moved into its final position.

Connect Vent

1. Using a 4 in. (10.2 cm) clamp, connect vent to exhaust outlet in dryer. If connecting to existing vent, make sure the vent is clean. The dryer vent must fit over the dryer exhaust outlet and inside the exhaust hood. Make sure the vent is secured to exhaust hood with a 4 in. (10.2 cm) clamp.
2. Move dryer into final position. Do not crush or kink vent. Make sure dryer is level.

Complete Installation

1. Check to be sure all parts are now installed. If there is an extra part, go back through the steps to see which step was skipped.
2. Check to be sure you have all of your tools.
3. Dispose of all packaging materials.
4. Check the dryer's final location. Be sure the vent is not crushed or kinked.
5. Check to be sure the dryer is level. (See "Level Dryer.")
6. Plug into a grounded outlet. Turn power on.
7. Remove the blue protective film on the console and any tape remaining on the dryer.
8. Read "Operating Your Dryer."
9. Wipe the dryer drum interior thoroughly with a damp cloth to remove any dust.
10. Set the dryer on a full heat cycle (not the Air cycle) for 20 minutes. Open the dryer door after five minutes and feel for heat. If you do not feel heat, turn the dryer off and wait five minutes.

Then check the following:

- Controls are set in a running or "On" position.
- Start button has been pushed firmly.

Repeat 5-minute test as outlined above. If dryer still does not operate properly, check the following:

- Dryer is plugged into a grounded outlet.
- Electrical supply is connected.
- House fuse is intact and tight; or circuit breaker has not tripped.
- Dryer door is closed.
- If dryer makes an unusual noise, check that dryer is level.
- You may notice a burning odor. This odor is common when the heating element is first used. The odor will go away.

INSTALLATION

OPERATING YOUR DRYER

⚠ WARNING



Explosion Hazard

Keep flammable materials and vapors, such as gasoline, away from dryer.

Do not dry anything that has ever had anything flammable on it (even after washing).

Failure to follow these instructions can result in death, explosion, or fire.

⚠ WARNING



Fire Hazard

No washer can completely remove oil.

Do not dry anything that has ever had any type of oil on it (including cooking oils).

Items containing foam, rubber, or plastic must be dried on a clothesline or by using an Air Cycle.

Failure to follow these instructions can result in death or fire.

To get the best drying results, you must operate your dryer properly. This section gives you this important information.

STARTING YOUR DRYER

NOTE: The drawings in this section show the basic features of all models covered by this manual. Refer to the supplied "Feature Sheet" for your dryer's particular features.

STEP 1. Clean lint screen.

STEP 2. Put laundry into dryer and shut door.

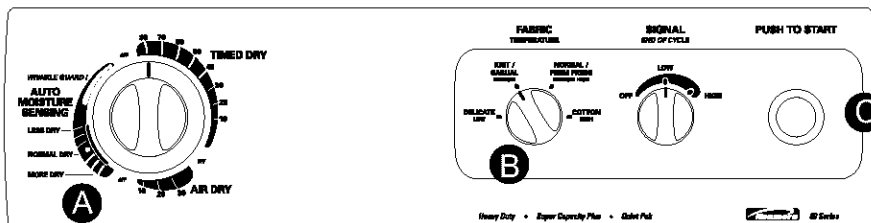
STEP 3. Set Cycle Selector Control (Timer) **A**, (see "Cycle Descriptions").

STEP 4. Set FABRIC/Temperature Control **B**, (see "FABRIC/Temperature Control"). Check clothes label for manufacturer's recommendations.

STEP 5. Press PUSH TO START Button **C**. Be sure door is closed.

STOPPING/RESTARTING YOUR DRYER

- To stop the dryer at any time, open dryer door.
- To restart, press PUSH TO START Button **C**. Be sure door is closed.
- If you wish to end your drying cycle, turn Cycle Selector Control (Timer) **A** to OFF.



CYCLE DESCRIPTIONS

for your Benefit

The automatic cycles save you time by providing the best drying results in the shortest time. This can help you save money on utility bills and reduce the risk of fabric damage.

AUTO MOISTURE SENSING/ EVENHEAT™ with AUTO MOISTURE SENSING PLUS cycles

Depending on your model, your dryer's automatic cycle is AUTO MOISTURE SENSING or EVENHEAT™ with AUTO MOISTURE SENSING PLUS. Use this cycle for most loads. Drying time varies according to type of fabric, size of load, and dryness setting.

- Set the Cycle Selector Control (Timer) to NORMAL DRY(*) which is good for most fabrics.
- At the end of the cycle, feel the dried clothes. If they are damp, select MORE DRY the next time you do a similar load. If they are overdried, select LESS DRY or DAMP DRY (depending on model) the next time you do a similar load.
- Dryness is determined by an electronic sensor that "feels" the amount of moisture in clothes as they pass over it. When the dryness selected is reached, the dryer goes into a Cool Down period of up to 10 minutes.
- The End of Cycle SIGNAL sounds (if selected) once the cycle is completed.

- If you do not unload the dryer, it goes into WRINKLE GUARD® (see "USING WRINKLE GUARD®").

NOTE: On some models, WRINKLE GUARD® is selected by an option switch.

TIMED DRY CYCLE

Use this cycle to get up to 80 or 90 minutes (depending on model) of heated drying time.

- The heating cycle is followed by a 10-minute (approx.) Cool Down period.
- The End of Cycle SIGNAL sounds (if selected) once the cycle is completed.

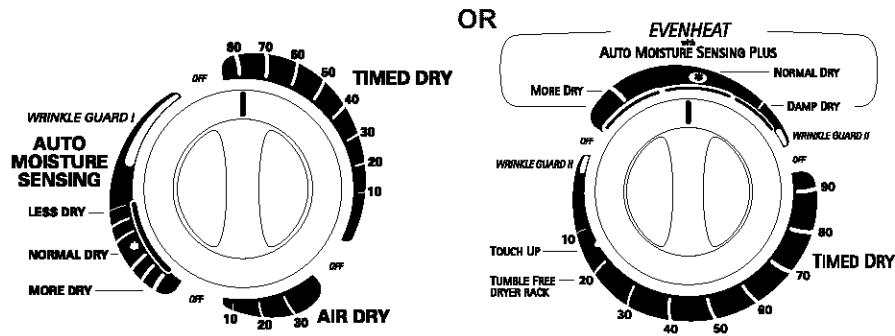
NOTE: Dryers with a WRINKLE GUARD® Option control will go into WRINKLE GUARD® immediately following this cycle if it is selected.

TOUCH UP CYCLE

Use this cycle to smooth synthetic and permanent press clothes that are clean but wrinkled from being crowded in a closet or suitcase.

- This setting provides about 15 minutes of heated tumbling followed by a 10-minute (approx.) Cool Down period.
- Remove clothes immediately when tumbling stops.

ENGLISH



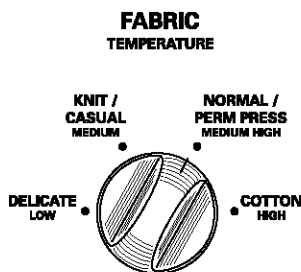
FABRIC/TEMPERATURE CONTROL

for your Benefit

Proper use of this control helps ensure that fabrics are dried at the right temperature for maximum life.

Use this control to select the drying temperature that matches the fabrics in your load.

- Select LOW for delicate fabrics. Select HIGH for durable fabrics such as sturdy work clothes or bath towels.
- The FABRIC/Temperature Control will not work when the Cycle Selector Control (Timer) is in the AIR DRY Cycle.



The following chart lists suggested dryer settings and drying times for various loads. This is only a guide. Settings may require adjustment depending on the requirements of your load.

Type of Load	Automatic Setting	Drying Temp	TIMED DRY Setting
COTTONS AND LINENS			
Extra Heavy – Bedspreads, mattress pads, quilts	MORE DRY	HIGH	70-80 min.
Heavyweight – Towels, jeans, corduroys, work clothes	MORE DRY	HIGH	50-60 min.
Medium weight – Sheets, cotton underwear, diapers	NORMAL DRY	MEDIUM/HIGH or MEDIUM*	40-50 min.
Lightweight – Batistes, organdies, lingerie	NORMAL DRY	LOW	30-40 min.
PERMANENT PRESS, SYNTHETICS AND BLENDS			
Heavyweight – Work clothes, jackets, raincoats	NORMAL DRY	HIGH	40-50 min.
Medium weight – Shirts, play clothes, sheets, slacks	NORMAL DRY	MEDIUM/HIGH or MEDIUM*	30-40 min.
Lightweight – Lingerie, blouses, dresses	LESS DRY or DAMP DRY	MEDIUM or LOW*	20-30 min.
KNITS			
Heavyweight – Cottons, rayons, blends, T-shirts, slacks, shirts	NORMAL DRY	HIGH	40-50 min.
Medium weight – Synthetics (polyester, acrylic, etc.), dress slacks, skirts, sweaters	NORMAL DRY	MEDIUM/HIGH or MEDIUM*	30-40 min.
Lightweight – Synthetics (polyester, acrylic, etc.) and blends, lingerie, blouses, dresses	LESS DRY or DAMP DRY	LOW	20-30 min.

*Use the lowest temperature setting available on your dryer.

USING AIR DRY/AIR FLUFF

for your Benefit

Using these cycles gives you all the benefits of hang drying with a shorter drying time.

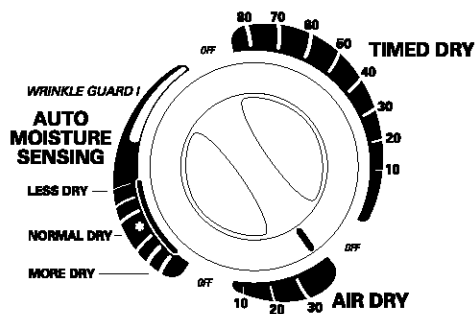
Use the AIR DRY Cycle to get up to 30 minutes of drying time in room temperature air. Use this setting for items that will not tolerate heat such as foam, rubber, plastic or heat sensitive fabrics. Also use for airing and fluffing items such as pillows.

The AIR FLUFF Setting operates exactly like the AIR DRY Cycle. This setting is available on models that do not have an AIR DRY Cycle in the Cycle Selector Control (Timer).

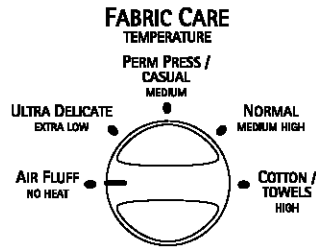
To use AIR FLUFF:

- Set Cycle Selector Control for the number of minutes you want in the TIMED DRY Cycle.
- Set FABRIC/Temperature Control to AIR FLUFF.
- Set other options, then press PUSH TO START Button.

Refer to the following chart for examples of items that require drying without heat. Use an air cycle, or place the items on a line or rack to air dry.



OR



ENGLISH

Type of Load	AIR DRY Cycle/ AIR FLUFF Setting
DELICATE FABRICS Sheer curtains (2 or 3 panels), gauze, lace, etc. (Use AIR DRY/AIR FLUFF if low heat is not available.)	20-30 min.
RUBBER, PLASTIC, HEAT-SENSITIVE FABRICS Foam rubber – Pillows, padded bras, stuffed toys • Make sure coverings are securely stitched. • Shake and fluff pillows by hand several times during the cycle. • Make sure pillows are completely dry. Foam rubber pillows take a long time to dry.* Plastic – Shower curtains, tablecloths Rubber-backed rugs Olefin, Polypropylene, Sheer nylon	20-30 min. 40-50 min. 10-20 min.

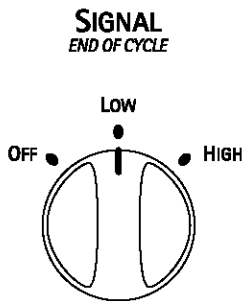
*Reset time, as needed, to allow these items to dry completely.

END OF CYCLE SIGNAL CONTROL

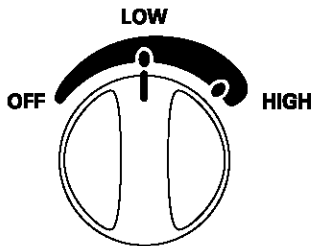
for your Benefit

Your dryer sounds a signal when a drying cycle is finished. The signal is helpful when you are drying permanent press, synthetics, and other items. These items should be removed from the dryer as soon as it stops in order to prevent wrinkles.

- The volume of the signal can be adjusted.



- The variable control lets you select a volume anywhere from OFF to HIGH.

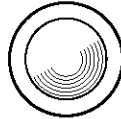


PUSH TO START BUTTON

Use this control to start the dryer. Be sure the dryer door is closed.

Opening the door stops the dryer. It will not start again until you close the door and press the PUSH TO START Button. Be sure the Cycle Selector Control (Timer) is still on a drying cycle or air setting.

PUSH TO START



EVENHEAT™ with AUTO MOISTURE SENSING PLUS

for your Benefit

EVENHEAT™ with AUTO MOISTURE SENSING PLUS is the only system that uses 2 different sensors to “understand” how fast a load is drying and adjusts time for optimal fabric care.

This cycle uses 2 moisture-sensing strips in the back of the dryer. When strips no longer “feel” any moisture in the clothes the dryer automatically turns off to prevent overdrying and shrinking.

COOL DOWN

Approximately ten minutes before the end of the AUTO MOISTURE SENSING and TIMED DRY Cycles, clothes are tumbled without heat to help reduce wrinkles and make clothes more comfortable to handle.

USING WRINKLE GUARD®

for your Benefit

WRINKLE GUARD® helps keep your permanent press items wrinkle free when you don’t unload the dryer promptly at the end of the automatic cycle.

If you do not open the door at the end of the automatic cycle, WRINKLE GUARD® will tumble the clothes without heat.

- On dryers with WRINKLE GUARD® I, the dryer will tumble the clothes continuously for about 30 minutes unless you open the dryer door.
- On dryers with WRINKLE GUARD® II, periodic tumbling every 15 seconds will continue for about 40 minutes unless you open the dryer door.
- On dryers with WRINKLE GUARD® III, periodic tumbling every 15 seconds will continue for about 2½ hours unless you open the dryer door.
- WRINKLE GUARD® III has a selectable ON/OFF Option. When WRINKLE GUARD® III is set at OFF, the dryer stops after Cool Down and may be unloaded.

The End of Cycle Signal will sound after each period of tumbling, unless it is off.

ENGLISH

HEATED TUMBLE FREE™ DRYER RACK

Your dryer may include a dryer rack. If your dryer does not have a dryer rack, you can purchase one by calling Sears (see back cover).

for your Benefit

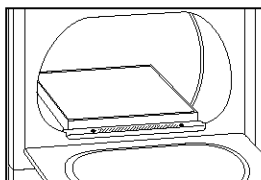
Use the heated TUMBLE FREE™ Dryer Rack for items that you do not want to tumble dry, such as sweaters. When you use the heated dryer rack, the heated air inside the dryer flows in a concentrated pattern to allow efficient and uniform drying.

To use the heated dryer rack:

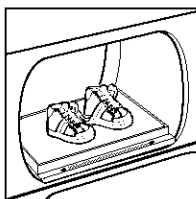
Do not remove lint screen.

STEP 1. Open dryer door.

STEP 2. Slide dryer rack over the bottom of the dryer door opening. Push down to secure it on the frame.



STEP 3. Place wet items on top of the rack. Allow space around items for air to circulate. The rack does not move, but the drum will rotate. Make sure items do not hang over the edges or between rack grill.



STEP 4. Close dryer door.

STEP 5. Select the desired cycle to match the fabrics in your load. Items containing foam, rubber, or plastic must be dried on a clothesline or by using an air cycle.

STEP 6. Set the FABRIC/Temperature Control if available. Refer to the chart below.

STEP 7. Start the dryer.

To remove the rack, lift it straight up and out of the dryer.

NOTE: Check the lint screen and remove any lint accumulated from items dried on the rack.

Suggested Items for Rack Drying	FABRIC/ Temperature Setting	Cycle Selector (Timer) Setting	Suggested Time (minutes)*
Washable wool items (block to shape and lay flat on rack)	DELICATE	TIMED DRY	20
Stuffed toys (cotton or polyester fiber filling)	COTTON	TIMED DRY	20
Stuffed toys (foam rubber filling)	AIR FLUFF	– or – AIR DRY	50
Galoshes (rubber)	AIR FLUFF	– or – AIR DRY	20
Foam rubber pillows	AIR FLUFF	– or – AIR DRY	50
Tennis shoes	AIR FLUFF	– or – AIR DRY	20

*Reset time, as needed, to complete drying.

LAUNDRY TIPS

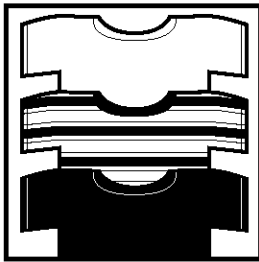
for your **Benefit**

Follow these recommendations to help save on utility bills and prolong the life of your garments.

PREPARING CLOTHES FOR DRYING

- Refer to your Washer Owner's Manual for proper washing techniques and additional laundry tips.

SORTING CLOTHES



- Separate dark colors from light colors; colorfast from non-colorfast. Items properly sorted by color for washing are usually properly sorted for drying.
- Separate heavy fabrics (denim, towels) from light fabrics (synthetics, permanent press).
- Separate lint givers (towels, chenille) from lint takers (corduroy, synthetics, permanent press). When possible, turn lint takers inside out.

CHOOSING LOAD SIZES

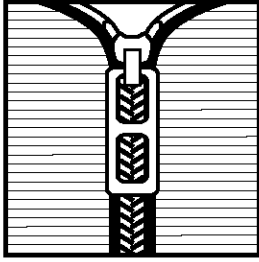
- Mix large items with smaller items. Load the dryer by the amount of space items take up, not by their weight. Do not overload the dryer. Overcrowding causes uneven drying and wrinkling, and can cause items to wear out faster (because of pilling).
- You may need to rearrange large items (sheets, blankets, tablecloths) during a cycle to reduce balling or rolling up.
- For better tumbling action, when drying only a few small items, add one or two lint-free towels. This also prevents small lightweight items from blocking airflow.

KING SIZE CAPACITY DRYERS

Heavy Work Clothes	Towels	Mixed Load
4 jeans	10 bath towels	3 sheets
4 workpants	10 hand towels	(1 king, 2 twin)
4 workshirts	14 wash cloths	4 pillowcases
2 sweatshirts		3 shirts
2 sweatpants		3 blouses
		9 T-shirts
		9 shorts
		10 handkerchiefs

ENGLISH

DRYING TIPS



- Close zippers, snaps, and hooks to avoid snagging other items. Remove heat-sensitive trim that can be damaged by drying. Tie strings and sashes so they will not tangle.
- Check garments for spots and stains left after washing. Do not tumble these items. Heat may permanently set stains.
- Check pockets before drying. Sharp or metal objects can damage your dryer. Do not lay these objects on your dryer, they can damage the finish. Turn pockets of heavy garments inside out for even drying.
- Place small items such as baby socks or hankies in laundry bag for easier removal.
- Articles to be ironed should be removed while still damp.

USING DRYER FABRIC SOFTENERS

Dryer fabric softeners are recommended for reducing static cling. Always follow package instructions carefully.

- Put one fabric softener sheet on top of the load before starting the dryer. Do not add a fabric softener sheet after the drying cycle has started. Instant heat can cause the fabric softener to spot fabrics.
- Remove fabric softener stains by wetting the stains and rubbing them with liquid detergent or bar soap and rewash.
- Some fabric softeners can clog the lint screen and slow drying. Use fabric softeners labeled as dryer safe.

SAVING ENERGY

- Sort loads by fabric weight and type.
- Use the automatic cycle to dry most loads.
- Dry full loads only. Do not overdry.
- Avoid overloading dryer, adding wet items to a partly dried load, or opening the door unnecessarily.
- Shorten drying times by exhausting dryer properly and cleaning exhaust vent and outside exhaust hood as needed.
- Keep the lint screen clean.
- Use dryer where room air temperature is above 45°F (7°C).

CARING FOR YOUR DRYER

CLEANING YOUR DRYER

for your **Benefit**

Proper care of your dryer can extend its life and help you avoid costly service calls.

⚠ WARNING

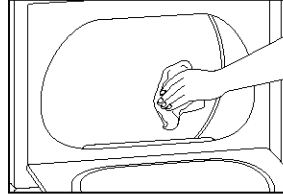


Explosion Hazard
Use nonflammable cleaner.
Failure to do so can result in death, explosion, or fire.

To clean dryer drum:

STEP 1. Make a paste with detergent and very warm water and apply to a soft cloth.

STEP 2. Scrub area until all excess dye is removed.



STEP 3. Wipe thoroughly with a damp cloth.

STEP 4. Tumble a load of clean towels for 20 minutes to dry.

NOTE: Garments that contain unstable dyes, such as denim blue jeans or brightly colored cotton items, may discolor the drum interior. These stains are not harmful to your dryer and will not stain future loads of clothes. It is helpful to dry unstable dye items inside out to prevent dye transfer.

ENGLISH

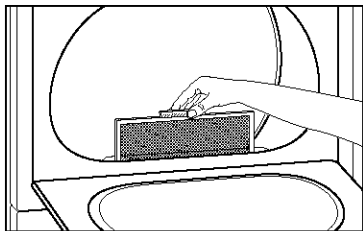
CLEANING THE LINT SCREEN

Remove Lint Before Every Load

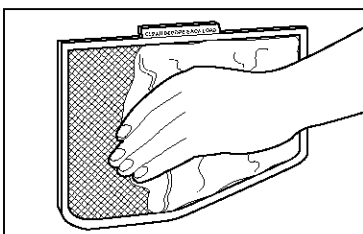
The lint screen is located in the door opening. Remove lint before starting every load. A screen blocked by lint can increase drying time.

To clean:

STEP 1. Pull the lint screen straight up.



STEP 2. Roll lint off the screen with your fingers. Do not rinse or wash screen to remove lint. Wet lint is hard to remove.



STEP 3. Push the lint screen firmly back into place.

IMPORTANT:

- Do not run the dryer with the lint screen loose, damaged, blocked, or missing. Doing so can cause overheating and damage to both the dryer and fabrics.
- Some towels made of synthetic fibers and natural fibers (polyester and cotton blends) may shed more lint than other towels, causing your dryer's lint screen to fill up faster. Be sure to remove lint from the lint screen before and after drying new towels.
- If lint falls off the screen during removal and into the dryer, periodically check the exhaust hood and remove the accumulated lint (see "Venting Requirements").

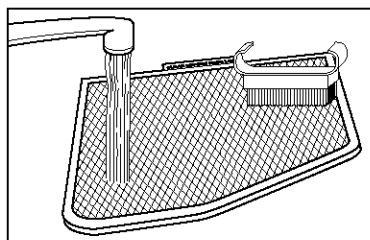
Wash Lint Screen As Needed

Laundry detergents and fabric softeners can cause a residue buildup on the lint screen. Wash the lint screen with a nylon brush if it becomes clogged due to a residue buildup.

To wash:

STEP 1. Wet both sides of lint screen with hot water.

STEP 2. Wet a nylon brush with hot water and liquid detergent; scrub lint screen with the brush to remove residue buildup.



STEP 3. Rinse screen with hot water.

STEP 4. Thoroughly dry lint screen with a clean towel; replace in dryer.

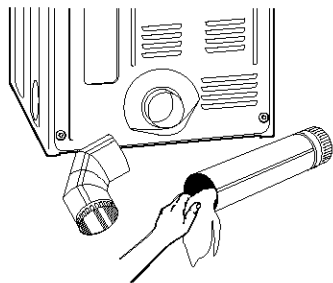
REMOVING ACCUMULATED LINT

To remove accumulated lint from exhaust vent:

STEP 1. Disconnect exhaust vent from the dryer.

STEP 2. Clean one section of vent at a time until you reach the exhaust hood. To clean out lint, you can use the hose attachment on your vacuum, or use a pole or wire with a feather duster or rag attached.

STEP 3. Reconnect vent as described in the "Installation Instructions" of this Owner's Manual.



To remove accumulated lint from inside the dryer:

Lint should be removed every 2 years, or more often, depending on dryer usage. Cleaning should be done by a qualified person.

MOVING CARE

- Disconnect power.
- Make sure leveling legs are secure in dryer base.
- Use masking tape to secure dryer door.

VACATION CARE

- Disconnect power.
- Wash lint screen.

ENGLISH

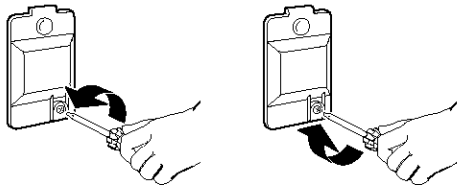
CHANGING THE DRUM LIGHT

The dryer light automatically turns on inside the dryer drum when you open the door.

To change the drum light

STEP 1. Unplug dryer or disconnect power.

STEP 2. Open the dryer door. Locate the light bulb cover on the back wall of the dryer. Remove the screw located in the lower right corner of the cover. Remove the cover.



STEP 3. Turn bulb counterclockwise. Replace the bulb with a 10-watt appliance bulb only. Replace the cover and secure with the screw.

STEP 4. Plug in dryer or reconnect power.

TROUBLESHOOTING

for your **Benefit**

Most laundering problems are easily solved if you understand the cause. Using the charts below will save you time and money by helping you avoid unnecessary service calls.

Problem	Possible Cause	Solution
Not Drying Satisfactorily	Lint screen is clogged with lint.	Clean lint screen.
	Restricted air movement. Exhaust vent or outside exhaust hood is clogged with lint.	Run dryer for 5-10 minutes. Hold hand under outside exhaust hood to check air movement. If you do not feel air moving, clean exhaust system of lint or replace exhaust vent with rigid metal or flexible metal vent (see "Installation Instructions").
	Exhaust vent is crushed or kinked.	Replace with rigid metal or flexible metal vent (see "Installation Instructions").
	One fuse is blown or circuit breaker is tripped. The dryer will appear to operate, but you will not get any heat.	Replace fuse or reset breaker.
	Timer or the temperature control is set on AIR DRY or AIR FLUFF.	Select the right cycle for the types of garments being dried (see "Operating Your Dryer").
	Load not contacting the sensor strips and automatic cycle ending early.	Level dryer (see "Installation Instructions").
	Fabric softener sheets blocking outlet grill.	Use only one softener sheet per load and only use it once.
	Dryer located in room with temperature below 45°F (7°C).	Move dryer where it can operate in ambient air temperatures above 45°F (7°C).
	Large amount of moisture in the load.	Expect longer dry times with items that hold more moisture (cottons).
	Cold rinse water used.	Expect longer dry times, but you are saving energy and reducing wrinkles.
Dryer Will Not Run	Load too large and bulky to dry quickly.	Separate load to tumble freely.
	Power cord not firmly plugged in.	Firmly plug in dryer. Use a new UL approved 30 amp power supply cord.
	Fuses blown or circuit breakers tripped.	Replace fuses or reset breakers.

ENGLISH

Problem	Possible Cause	Solution
Dryer Will Not Run (cont.)	Using a regular fuse.	Replace with a time-delay fuse.
	Dryer door not firmly closed.	Close dryer door tightly.
	PUSH TO START Button not firmly pressed.	Press PUSH TO START Button again.
	Controls not set in an ON position.	Reset controls in an ON position.
Lint in Load	Lint screen is clogged.	Clean lint screen. Check for air movement.
	Improper sorting.	Sort lint givers from lint takers and by color.
	Load is too big or heavy.	Dry smaller loads so lint can be carried to the lint screen.
	Load is overdried.	Use correct dryer settings for fabric. Overdrying can cause lint-attracting static (see "Operating Your Dryer").
	Paper or tissue in pockets.	Clean out pockets before drying.
	Pilling being mistaken for lint.	Pilling (surface fuzz) is caused by normal wear and laundering.
Stains on Load	Improper use of fabric softener in washer.	Use fabric softener sheets in dryer. Add at beginning of cycle when load is cold.
	Drying soiled items.	Items need to be clean before being dried.
Items Shrinking	Overdrying.	Match dryer settings to fabric type (see "Operating Your Dryer").
	Poor garment quality.	Check quality of garment before purchasing.
	Manufacturer's care label instructions not followed.	Follow fabric care label instructions carefully.
Loads are Wrinkled	Overloading.	Dry smaller loads that can tumble freely.
	Overdrying.	Match dryer settings to fabric type (see "Operating Your Dryer").
	Load left in dryer at the end of cycle.	Remove load as soon as tumbling stops.
Odors	Painting, staining or varnishing has recently taken place in the area where your dryer is located.	Ventilate the area. When the odors or fumes are gone from the area, re-wash the clothing and then dry it.
	First use of dryer element.	Odors will be gone after the first cycle.
Unusual Sounds	Thumping of rollers when dryer has had a period of non-use.	Thump will go away after 5 minutes of drying.

WE SERVICE WHAT WE SELL

Your purchase has added value because you can depend on Sears HomeCentral® for service. With over 12,000 trained repair specialists and access to over 4.2 million parts and accessories, we have the tools, parts, knowledge and skills to ensure our pledge: We Service What We Sell.

Sears Maintenance Agreements

Your Kenmore appliance is designed, manufactured and tested to provide years of dependable operation. Yet any major appliance may require service from time to time. The Sears Maintenance Agreement offers you an outstanding service program, affordably priced.

The Sears Maintenance Agreement

- Is your way to buy tomorrow's service at today's prices.
- Eliminates repair bills resulting from normal wear and tear.
- Provides for non-technical and instructional assistance.
- Even if you don't need repairs, provides an annual Preventive Maintenance Check, at your request, to ensure that your appliance is in proper running condition.

Some limitations apply. For more information, call 1-800-827-6655.

For information concerning Sears Canada Maintenance Agreements, call 1-800-361-6665.

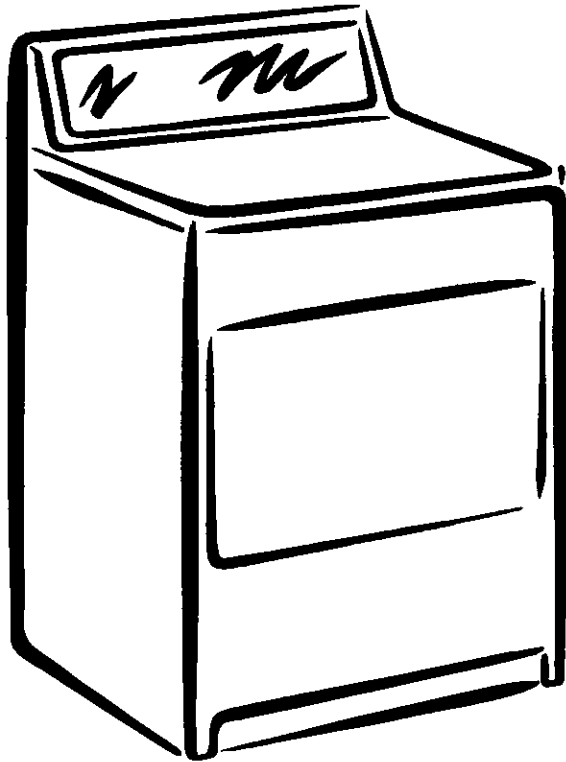
ENGLISH

NOTES

Manual del propietario e instrucciones de instalación



SECADORAS ELÉCTRICAS 27 pulgadas de ancho



ESPAÑOL



IMPORTANTE:

Lea y siga todas las instrucciones de seguridad y de modo de empleo antes de usar este producto por primera vez.

Sears, Roebuck and Co., Hoffman Estates, IL 60179 U.S.A.
www.sears.com

3979091A

IMPRESO EN EE.UU.

1/01

CONTENIDO

ANTES DE USAR SU NUEVA SECADORA	2
GARANTÍA DE LA SECADORA ELÉCTRICA KENMORE	3
SEGURIDAD DE LA SECADORA	4
INSTRUCCIONES DE INSTALACIÓN	6
FUNCIONAMIENTO DE LA SECADORA	20
SUGERENCIAS DE LAVANDERÍA	27
CUIDADO DE LA SECADORA	29
LOCALIZACIÓN Y REPARACIÓN DE AVERÍAS	33
REPARAMOS LO QUE VENDEMOS	35

ANTES DE USAR SU NUEVA SECADORA

Por favor, lea este manual, pues le ayudará a instalar y a usar su nueva secadora Kenmore de la manera más económica.

Para obtener información adicional acerca del cuidado y el funcionamiento de aparatos electrodomésticos Kenmore, llame al establecimiento Sears más cercano. Necesitará tener a mano los números completos del modelo y de serie de su secadora, los cuales se encuentran en la placa de Números de modelo y de serie en la secadora.

Utilice el espacio a continuación para escribir el número de modelo y el número de serie de su nueva secadora Kenmore.

No. del modelo

No. de serie

Fecha de compra



Guarde este manual y el comprobante de venta (el recibo) en un lugar seguro para consultar en el futuro.

GARANTÍA DE LA SECADORA ELÉCTRICA KENMORE

Garantía integral de 1 año en las piezas mecánicas y componentes eléctricos

Durante un año desde la fecha de compra, siempre y cuando se haya instalado y empleado la secadora de acuerdo con las instrucciones en este manual, Sears reparará o reemplazará cualquier pieza mecánica o eléctrica de esta secadora que exhiba algún defecto de material o mano de obra.

NOTA: Es posible que el uso de un conducto de ventilación de plástico cancele esta garantía. Consulte la sección de "Instrucciones de instalación" para obtener información completa sobre los requisitos de ventilación para esta secadora.

Garantía limitada

Si se utiliza la secadora con fines comerciales, es decir, si su uso no es solamente familiar, la garantía arriba mencionada sólo estará vigente por 90 días.

Servicio en virtud de la garantía

Si desea servicio de reparación o servicio técnico en virtud de la garantía, comuníquese con el Centro de Servicio Sears más cercano en los EE.UU.

Esta garantía estará vigente sólo mientras este producto se utilice dentro de los EE.UU.

Esta garantía otorga al usuario ciertos derechos legales específicos, y es posible que el usuario goce de otros derechos, los cuales varían de un estado al otro.

**Sears, Roebuck and Co., Dept. 817WA,
Hoffman Estates, IL 60179**

Para obtener información respecto a la garantía de Sears o para ponerse en contacto con el Centro de Servicio Sears, sírvase tomar como referencia los números de servicio técnico ubicados en la contraportada del manual.

ESPAÑOL

SEGURIDAD DE LA SECADORA

Su seguridad y la seguridad de los demás es muy importante.

Hemos incluido muchos mensajes importantes de seguridad en este manual y en su electrodoméstico. Lea y obedezca siempre todos los mensajes de seguridad.



Este es el símbolo de advertencia de seguridad. Este símbolo le llama la atención sobre peligros potenciales que pueden ocasionar la muerte o una lesión a usted y a los demás. Todos los mensajes de seguridad irán a continuación del símbolo de advertencia de seguridad y de la palabra "PELIGRO" o "ADVERTENCIA". Estas palabras significan:

⚠ PELIGRO

Si no sigue las instrucciones de inmediato, usted puede morir o sufrir una lesión grave.

⚠ ADVERTENCIA

Si no sigue las instrucciones, usted puede morir o sufrir una lesión grave.

Todos los mensajes de seguridad le dirán el peligro potencial, le dirán cómo reducir las posibilidades de sufrir una lesión y lo que puede suceder si no se siguen las instrucciones.

INSTRUCCIONES IMPORTANTES DE SEGURIDAD

ADVERTENCIA: A fin de reducir el riesgo de incendio, descarga eléctrica o de daño a las personas que usen la secadora, deben seguirse las precauciones básicas, incluyendo las siguientes:

- Lea todas instrucciones antes de usar la secadora.
- No coloque los objetos expuestos a aceites para cocinar en su secadora. Los objetos expuestos a aceites para cocinar pueden contribuir a una reacción química que podría causar que una carga se inflame.
- No seque artículos que ya se hayan limpiado, lavado, remojado o manchado con gasolina, disolventes de limpieza en seco, u otras sustancias inflamables o explosivas, ya que despiden vapores que pueden encenderse o causar una explosión.
- No permita que jueguen los niños sobre o dentro de la secadora. Es necesaria la cuidadosa vigilancia de los niños toda vez que se use la secadora cerca de ellos.
- Quite la puerta de la secadora antes de ponerla fuera de funcionamiento o de descartarla.
- No introduzca las manos en la secadora cuando el tambor está en movimiento.
- No instale o almacene esta secadora donde estará expuesta al agua o a la intemperie.
- No trate de forzar los controles.
- No repare o reemplace ninguna pieza de la secadora ni trate de repararla a menos que éste se recomiende específicamente en el Manual del propietario o en instrucciones de reparación publicadas para el usuario que usted comprenda y sólo si cuenta con la experiencia necesaria para llevar a cabo dicha reparación.
- No utilice suavizantes de tejidos o productos para eliminar el estático de prendas a menos que lo recomiende el fabricante del suavizante de tejidos o las instrucciones del producto en uso.
- No utilice calor para secar prendas que contengan espuma de caucho o materiales de caucho con textura similar.
- Limpie el filtro de pelusa antes o después de cada carga de ropa.
- Mantenga el área alrededor de la abertura de ventilación y las áreas adyacentes a esta abertura sin pelusa, polvo o suciedad.
- La parte interior de la máquina y el ducto de escape se deben limpiar periódicamente. Esta limpieza la debe llevar a cabo un reparador calificado.
- Vea las "INSTRUCCIONES DE INSTALACIÓN" para los requisitos de conexión a tierra.

GUARDE ESTAS INSTRUCCIONES

ESPAÑOL

INSTRUCCIONES DE INSTALACIÓN

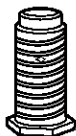
Herramientas y piezas

Verifique si tiene todo lo necesario para una instalación correcta. La instalación adecuada es responsabilidad suya

- Destornillador de cuchilla plana
- Llave de tuercas ajustable que se abra a 1 pulgada o una llave de cubo de cabeza hexagonal (para regular las patas de la secadora)
- Nivel
- Desforrador de alambre (instalaciones de cableado directo)
- Destornillador Phillips # 2
- Lentes de seguridad
- Cinta para tubos
- Pistola y masilla para calafateo (para instalar la nueva ventilación de escape)
- Guantes
- Tijeras de lata (instalaciones del nuevo ducto de escape)

Piezas suministradas:

Retire el paquete de piezas del tambor de la secadora. Verifique que estén todas las piezas.



4 patas niveladoras

Piezas para adquirir:

Verifique los códigos locales; verifique el suministro eléctrico existente y la ventilación y vea "Requisitos eléctricos" "Requisitos de ventilación" antes de comprar las piezas.

Las instalaciones en casas rodantes necesitan:

- Artículos de ferretería para sistemas de ventilación de metal que se pueden comprar en su tienda Sears o en el centro de servicio técnico Sears de su localidad.

Requisitos de localización

⚠️ ADVERTENCIA



Peligro de Explosión

Mantenga los materiales y vapores inflamables, como gasolina, lejos de la secadora.

Coloque la secadora a un mínimo de 46 cm sobre el piso para la instalación en un garaje.

No seguir estas instrucciones puede ocasionar la muerte, explosión o incendio.

Usted necesitará

- Una localización que permita una instalación adecuada del ducto de escape. Consulte "Requisitos de ventilación."
- Un circuito separado de 30 amperios.
- Un contacto con conexión a tierra ubicado a unos 2 pies (61 cm) de cualquiera de los lados de la secadora. Vea "Requisitos eléctricos."
- Un piso resistente para soportar la secadora con un peso total de 200 lbs (90.7 kgs).
- Un piso nivelado con un declive máximo de 1 pulg. (2.5 cm) debajo de la secadora completa. (Si el declive es mayor que una pulgada, instale el juego de extensión de patas de la secadora, Pieza No. 279810.) La ropa quizás no rote adecuadamente y los ciclos del sensor automático posiblemente no funcionen debidamente si la secadora no está nivelada.

No ponga a funcionar la secadora a temperaturas menores de 45°F (7°C). A temperaturas inferiores, es posible que la secadora no se apague al final de un ciclo automático. Los tiempos de secado pueden prolongarse.

Instale la secadora donde esté protegida del agua y/o el clima.

Verifique los requisitos de los códigos. Algunos códigos limitan, o no permiten, la instalación de la secadora en garajes, clósets, casas rodantes o en dormitorios. Póngase en contacto con el inspector de construcciones de su localidad.

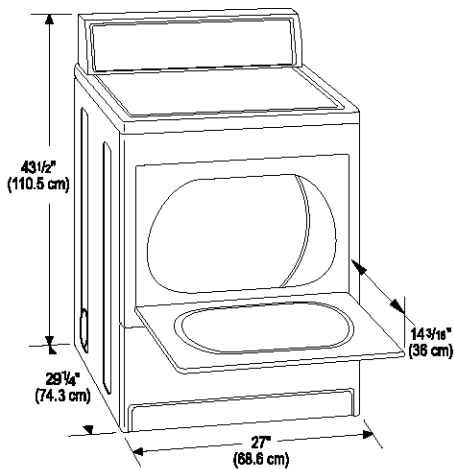
Espacios para la Instalación

La mayoría de las instalaciones requieren un espacio libre mínimo de 5½ pulgadas (14 cm) detrás de la secadora para acomodar el ducto de escape con codo. Vea "Requisitos de ventilación." La ubicación debe ser lo suficientemente grande para poder abrir completamente la puerta de la secadora.

Espacios recomendados/mínimos

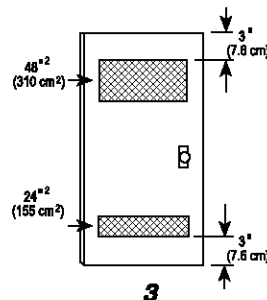
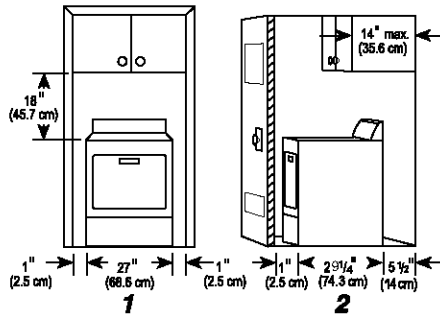
	Parte posterior	Partes laterales	Parte superior	Parte frontal (sólo-clóset)
Empotrado y en clóset	5½ pulg./ 0 pulg. (14 cm)	1 pulg./ 0 pulg. (2.5 cm)	18 pulg./ 18 pulg. (45.7 cm)	1 pulg./ 1 pulg. (2.5 cm)

Dimensiones de la secadora



Espacio recomendado para la instalación en un lugar empotrado o en un clóset

Las dimensiones que se ilustran a continuación son para los espacios recomendados permitidos, excepto las aberturas de ventilación de la puerta del clóset. Las dimensiones que se muestran para las aberturas de ventilación de la puerta del clóset son los espacios mínimos requeridos.



1. Lugar empotrado
2. Vista lateral - clóset o lugar confinado
3. Puerta del clóset con conductos de ventilación

ESPAÑOL



- Debe considerarse el espacio adicional para facilitar la instalación y el servicio técnico.
- Se podrían necesitar espacios libres adicionales para la pared y las molduras de la puerta y del piso.
- Se recomienda un espacio adicional de 1 pulg. (2.5 cm) en todos los lados de la secadora para reducir la transferencia de ruido.
- Para la instalación en clóset con una puerta, se requieren aberturas de ventilación mínimas en la parte superior e inferior de la puerta. Se aceptan puertas tipo persianas con aberturas de ventilación equivalentes.
- También se debe considerar espacio adicional para otro electrodoméstico que le acompañe.

Requisitos de instalación adicionales para las casas rodantes

Esta secadora es apropiada para instalaciones en casas rodantes. La instalación debe ajustarse al Estándar de seguridad y construcción de casas fabricadas, Título 24 CFR, Parte 3280 (anteriormente conocido como Estándar federal para la seguridad y construcción de casas rodantes, Título 24, HUD Parte 280).

Las instalaciones en casas rodantes necesitan:

- Artículos de ferretería para sistemas de ventilación de metal que se pueden comprar en su tienda Sears o en el centro de servicio técnico Sears de su localidad.
- Se deben tomar medidas especiales en el caso de casas rodantes para introducir el aire del exterior en la secadora. La abertura (como la de una ventana adyacente) deberá ser por lo menos el doble de tamaño que la abertura de ventilación de la secadora.

Requisitos eléctricos

Usted es responsable de:

- Ponerse en contacto con un instalador eléctrico calificado.
- Asegurarse de que la conexión eléctrica sea adecuada y de conformidad con el Código Nacional Eléctrico, ANSI/NFPA 70 - última edición y con todos los códigos y ordenanzas locales.

Usted puede obtener una copia de todas las normas arriba indicadas en: National Fire Protection Association, Batterymarch Park, Quincy, MA 02269.

- Proveer el suministro eléctrico requerido de 3 ó 4 alambres, monofásico, de 120/240 voltios, 60 Hz, CA solamente (o un suministro eléctrico de 3 ó 4 alambres, de 120/208 voltios, si se especifica en la placa indicadora de corriente/de la serie) en un circuito separado de 30 amps, protegido con fusibles en ambos lados de la línea. Se recomienda un fusible retardador o un cortacircuitos. Conéctela a un circuito derivado individual. No tenga un fusible en el circuito neutro o de conexión a tierra.
- No use un cable eléctrico de extensión.
- Si los códigos lo permiten y se emplea un alambre de conexión a tierra separado, es recomendable que un electricista calificado determine si la trayectoria de conexión a tierra es adecuada.

Conexión eléctrica

Para instalar su secadora adecuadamente, usted debe determinar el tipo de conexión eléctrica que va a usar y seguir las instrucciones que aquí se proveen para el caso.

- Si los códigos locales no permiten la conexión de un conector para conexión a tierra del equipo al alambre neutro, vea "Cableado directo o cable de suministro eléctrico."
- Esta secadora está equipada con un conector de conexión a tierra del equipo, con alambre de 3 hilos, conectado al alambre NEUTRO (alambre blanco o central) del cableado que está en el bloque de terminal.
- Use un cable conductor de 4 alambres cuando se instale la secadora en una casa rodante o un área donde los códigos locales no permiten la conexión a tierra mediante el alambre neutro.

Si emplea un cable de suministro eléctrico:

El cable de suministro eléctrico de la secadora debe:

- Estar en la lista de UL
- Ser de 120/240 voltios mínimo
- Ser de 30 amps
- Ser del tipo SRD o SRDT
- Tener una longitud de 4 pies (122 cm), por lo menos

Los alambres que conectan a la secadora deben acabar en terminales de anillo o de horquilla con los extremos hacia arriba.

Si el contacto de pared luce como éste:



Contacto de 4 alambres (14-30R)

Entonces elija un cable de suministro eléctrico de 4 alambres con terminales de anillo o de horquilla y con protector de cables aprobado de UL. El cordón de suministro eléctrico de 4 hilos, de por lo menos 4 pies (122 cm) de largo, debe tener 4 hilos de cobre sólido de calibre 10 y encajar en un tomacorriente para 4 hilos de NEMA Tipo 14-30R. El hilo de conexión a tierra (conductor a tierra) puede ser verde o desnudo. El conductor neutro debe ser identificado con una cubierta blanca.

Si el contacto de pared luce como éste:



Contacto de 3 alambres (10-30R)

Entonces elija un cable de suministro eléctrico de 3 alambres con terminales de anillo o de horquilla y con protector de cables aprobado de UL. El cordón de suministro eléctrico de 3 hilos, de por lo menos 4 pies (122 cm) de largo, debe tener 3 hilos de cobre No. 10 y encajar en un tomacorriente para 3 hilos de NEMA Tipo 10-30R.

Si hace la conexión con cableado directo:

El cable de suministro eléctrico debe ser igual al del suministro eléctrico (de 4 alambres o de 3 alambres) y debe ser:

- Cable flexible de cobre blindado o con revestimiento no metálico (con alambre de conexión a tierra). Todos los alambres conductores de corriente deben estar aislados.
- Alambre de cobre sólido de ancho 10 (no utilice aluminio).
- De por lo menos 4 pies (122 cm) de longitud.

INSTRUCCIONES PARA LA CONEXIÓN A TIERRA

- Para la conexión de una secadora mediante cable eléctrico a tierra:

Esta secadora debe estar conectada a tierra. En el caso de funcionamiento defectuoso o avería, la conexión a tierra reducirá el riesgo de choque eléctrico al proporcionar una vía de menor resistencia para la corriente eléctrica. Esta secadora está equipada con un cable que cuenta con un conductor para la conexión a tierra del equipo y un enchufe de conexión a tierra. El enchufe debe conectarse en un contacto apropiado, que esté debidamente instalado y conectado a tierra de acuerdo con todos los códigos y ordenanzas locales.

- Para la conexión permanente de una secadora:

Esta secadora debe estar conectada a un sistema de cableado de metal permanente, conectado a tierra, o se debe tender un conducto para la conexión a tierra del equipo con los conductores de circuito y conectado al terminal de tierra del equipo o al conductor de suministro de la secadora.

ADVERTENCIA: La conexión indebida del conductor para la conexión a tierra del equipo puede ocasionar un riesgo de choque eléctrico. Verifique con un electricista, representante o personal de servicio técnico calificado para asegurarse de que la conexión a tierra de la secadora sea apropiada. No modifique el enchufe del cable de suministro eléctrico. Si no encaja en el contacto, contrate un electricista calificado para que instale un contacto adecuado.

GUARDE ESTAS INSTRUCCIONES

ESPAÑOL

Conexión eléctrica

Cable de suministro eléctrico

⚠ ADVERTENCIA



Peligro de Incendio

Use un cable de suministro eléctrico nuevo de 30 amperes con aprobación UL.

Use un protector de cables con aprobación UL.

Desconecte el suministro eléctrico antes de hacer las conexiones eléctricas.

Conecte el alambre neutro (el blanco o el del centro) al terminal central (plateado).

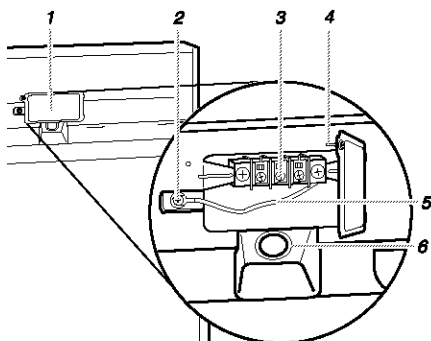
El alambre de tierra (el verde o el no aislado) se debe conectar con el conector verde de tierra.

Conecte los 2 alambres de suministro restantes con las 2 terminales restantes (las doradas).

Apriete firmemente todas las conexiones eléctricas.

No seguir estas instrucciones puede causar la muerte, incendio o choque eléctrico.

1. Desconecte la energía.
2. Quite el tornillo de sujeción y la tapa del bloque de terminal.



1. Tapa del bloque de terminal
2. Conector a tierra externo
3. Tornillo de bloque de terminal de color plateado, del centro
4. Localización del tornillo de sujeción
5. Alambre de conexión a tierra neutro (verde/amarillo)
6. Orificio debajo de la abertura del bloque de terminal

Cableado directo

⚠ ADVERTENCIA



Peligro de Incendio

Utilice alambres de cobre sólido de ancho 10.

Use un protector de cables con aprobación UL.

Desconecte el suministro eléctrico antes de hacer las conexiones eléctricas.

Conecte el alambre neutro (el blanco o el del centro) al terminal central (plateado).

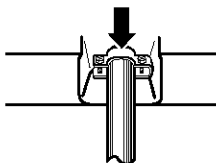
El alambre de tierra (el verde o el no aislado) se debe conectar con el conector verde de tierra.

Conecte los 2 alambres de suministro restantes con las 2 terminales restantes (las doradas).

Apriete firmemente todas las conexiones eléctricas.


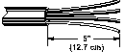


No seguir estas instrucciones puede causar la muerte, incendio o choque eléctrico.

3. Monte un protector de cables aprobado de UL de $\frac{3}{4}$ de pulg. (1.9 cm) (el protector de cables tiene la marca de UL) en el orificio que está debajo de la abertura del bloque de terminal. Ajuste los tornillos del protector de cables lo suficiente para mantener las dos secciones de la abrazadera juntas. Haga pasar el cable de suministro eléctrico a través del protector de cables. El protector de cables deberá encajar bien con el gabinete de la secadora y estar en posición horizontal.



4. Ahora termine la instalación siguiendo las instrucciones para el tipo de su conexión eléctrica:
Alambre de 4 hilos (se recomienda)
Alambre de 3 hilos (si no dispone de alambre de cuatro)

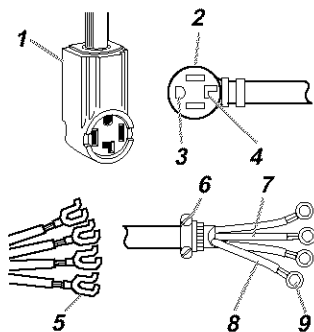
Opciones para la conexión eléctrica

Si su casa tiene:	Y usted va a conectar con:	Vaya a la sección
Un contacto de 4 hilos (Tipo NEMA 14-30R) 	Un cordón de suministro eléctrico para secadora, aprobado de UL, de 120/240 voltios mínimo y 30 amperios*	Conexión de 4 hilos: Cordón de suministro eléctrico
Cable directo de 4 hilos 	Un desconectador con fusible o una caja de disyuntor*	Conexión de 4 hilos: Cable directo
Contacto de 3 hilos (Tipo NEMA 10-30R) 	Un cordón de suministro eléctrico para secadora, aprobado de UL, de 120/240 voltios mínimo y 30 amperios*	Conexión de 3 hilos: Cordón de suministro eléctrico
Cable directo de 3 hilos 	Un desconectador con fusible o una caja de disyuntor*	Conexión de 3 hilos: Cable directo

*Si los códigos locales no permiten la conexión de un conductor de conexión a masa al cable neutro, prosiga a la sección "Cableado directo o Cable de suministro eléctrico".

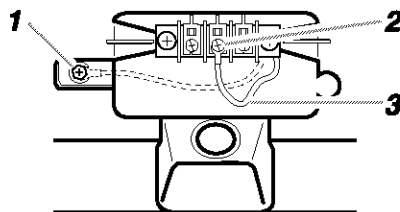
Conexión de 4 hilos: Cordón de suministro de eléctrico

IMPORTANTE: Se necesita una conexión de alambre de cuatro hilos para las casas rodantes y para los casos en que los códigos locales no permitan el uso de conexiones de 3 hilos.



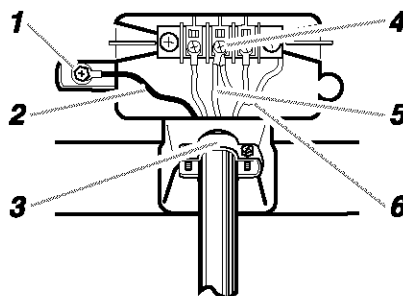
1. Contacto de cuatro alambres (tipo NEMA 14-30R)
2. Enchufe de 4 terminales
3. Terminal de conexión a tierra
4. Terminal de conexión a neutro
5. Terminales de horquilla con los extremos hacia arriba
6. Protector de cables aprobado de UL, de 3/4 pulgada (1.9 cm)
7. Alambre NEUTRO (blanco)
8. Hilo de tierra (verde o desnudo)
9. Bornes anulares

1. Saque el tornillo central del bloque de terminal.
2. Saque el hilo de tierra del aparato (verde con rayas amarillas) del tornillo conector de tierra externo. Fijelo debajo del tornillo central de color plateado del bloque de terminal.



1. Conector de tierra externo – La línea punteada ilustra la posición del hilo de tierra NEUTRO antes de moverlo al tornillo central del bloque de terminal.
2. Tornillo central de color plateado del bloque de terminal.
3. Hilo verde/amarillo del mazo de conductores.

3. Conecte el hilo de tierra (verde o desnudo) del cordón de suministro eléctrico al tornillo conductor de tierra externo. Apriete el tornillo.
4. Conecte el hilo neutro (hilo blanco o central) del cordón de suministro eléctrico debajo del tornillo central del bloque de terminal.



1. Conector de tierra externo
2. Hilo verde del cordón de suministro eléctrico o hilo de cobre desnudo
3. Protector de cables aprobado por UL de 3/4 pulgada (1.9 cm)
4. Tornillo central de color plateado del bloque de terminal
5. Hilo neutro (blanco)
6. Hilo neutro de puesta a tierra (verde/amarillo)

5. Conecte los otros hilos a los tornillos exteriores del bloque de terminal. Apriete los tornillos.
6. Apriete los tornillos del protector de cables.
7. Introduzca la lengüeta de la cubierta del bloque de terminal en la ranura del panel posterior de la secadora. Asegure la cubierta con el tornillo de sujeción.

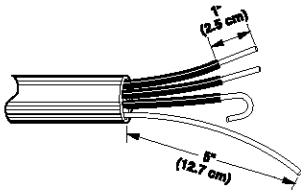
ESPAÑOL

Conexión de 4 hilos: Cable directo

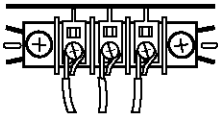
IMPORTANTE: Se necesita una conexión de alambre de cuatro hilos para las casas rodantes y para los casos en que los códigos locales no permitan el uso de conexiones de 3 hilos.

El cable de conexión directa debe tener 4 pies (122 cm) extra de largo para poder mover la secadora si fuese necesario.

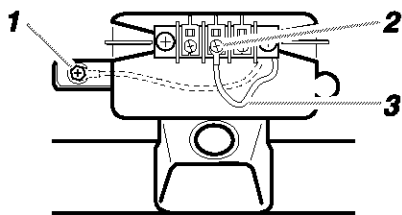
Pele 5 pulgadas (12.7 cm) de la cubierta exterior desde el extremo del cable, dejando el hilo de tierra desnudo a 5 pulgadas (12.7 cm). Corte 1 1/2 pulgada (3.8 cm) de los 3 hilos restantes. Pele el aislamiento 1 pulgada (2.5 cm) hacia atrás. Doble los extremos de los hilos para formar un gancho.



Al conectar el hilo al bloque de terminal, coloque el extremo del hilo en forma de gancho debajo del tornillo del bloque de terminal (viendo hacia la derecha). Apriete y junte el extremo en forma de gancho y apriete el tornillo.

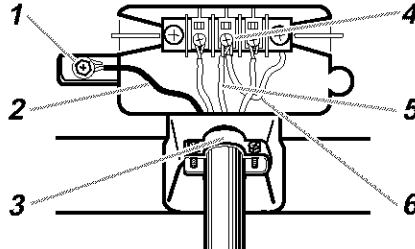


1. Saque el tornillo central del bloque de terminal.
2. Saque el hilo de tierra del aparato (verde con rayas amarillas) del tornillo conector de tierra externo. Fijelo debajo del tornillo central de color plateado del bloque de terminal.



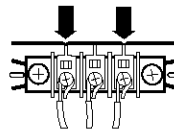
1. Conector de tierra externo - La línea punteada ilustra la posición del hilo de tierra NEUTRO antes de moverlo al tornillo central del bloque terminal.
2. Tornillo central de color plateado del bloque terminal.
3. Hilo verde/amarillo del mazo de conductores.

3. Conecte el hilo de tierra (verde o desnudo) del cable de suministro eléctrico al tornillo del conductor de tierra externo. Apriete el tornillo.
4. Coloque el extremo del hilo neutro en forma de gancho (hilo blanco o central) del cable de suministro eléctrico debajo del tornillo central del bloque de terminal (con el gancho mirando hacia la derecha). Apriete y junte el extremo enganchado. Ahora tiene usted el hilo de tierra del electrodoméstico y el neutral en la misma terminal. Apriete el tornillo.



1. Conector de tierra externo
2. Hilo verde del cordón de suministro eléctrico o hilo de cobre desnudo
3. Protector de cables aprobado por UL de 3/4 pulgada (1.9 cm)
4. Tornillo central de color plateado del bloque de terminal
5. Hilo neutro (blanco)
6. Hilo neutro de puesta a tierra (verde/amarillo).

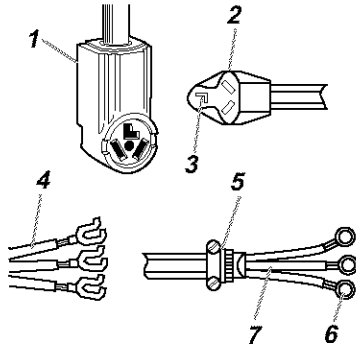
5. Coloque los extremos enganchados de los otros hilos del cable de suministro eléctrico debajo de los tornillos exteriores del bloque de terminal (con los ganchos mirando hacia la derecha). Apriete y junte los extremos enganchados. Apriete los tornillos.



6. Apriete los tornillos del protector de cables.
7. Introduzca la lengüeta de la cubierta del bloque de terminal en la ranura del panel posterior de la secadora. Asegure la cubierta con el tornillo de sujeción.

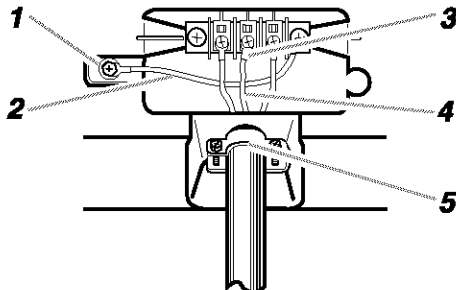
Conexión de 3 hilos: Cordón de suministro eléctrico

Use cuando los códigos locales permitan la conexión del conductor de tierra del gabinete al hilo neutro.



1. Contacto de 3 hilos (NEMA tipo 10-30R)
2. Enchufe para tres hilos
3. Neutro
4. Bornes de pala con extremos hacia arriba
5. Protector de cables aprobado por UL de 3/4 pulgada (1.9 cm)
6. Bornes anulares
7. Neutro (hilo blanco o central)

1. Afloje o saque el tornillo central del bloque de terminal.
2. Conecte el hilo neutro (hilo blanco o central) del cordón de suministro eléctrico al tornillo central de color plateado del bloque de terminal. Apriete el tornillo.



1. Conector de tierra externo.
2. Hilo neutro de puesta a tierra (verde/amarillo)
3. Tornillo central de color plateado del bloque de terminal.
4. Hilo neutro (blanco)
5. Protector de cables aprobado por UL de 3/4 pulgada (1.9 cm)

3. Conecte los otros hilos a los tornillos exteriores del bloque de terminal. Apriete los tornillos.
4. Apriete los tornillos del protector de cables.

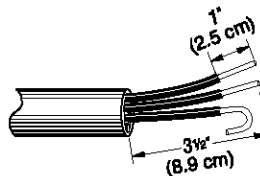
5. Introduzca la lengüeta de la cubierta del bloque de terminal en la ranura del panel posterior de la secadora. Asegure la cubierta con el tornillo de sujeción.

Conexión de 3 hilos: Cable directo

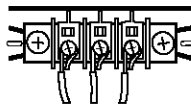
Use cuando los códigos locales permitan la conexión del conductor de tierra del gabinete al hilo neutro.

El cable de conexión directa debe tener 4 pies (122 cm) extra de largo para poder mover la secadora si fuese necesario.

Pele 3 1/2 pulgadas (8.9 cm) de la cubierta exterior desde el extremo del cable. Pele el aislamiento 1 pulgada (2.5 cm) hacia atrás. Si usa un cable trifilar con hilo de tierra, corte el hilo desnudo para que quede nivelado con la cubierta exterior. Doble los extremos de los hilos para formar un gancho.



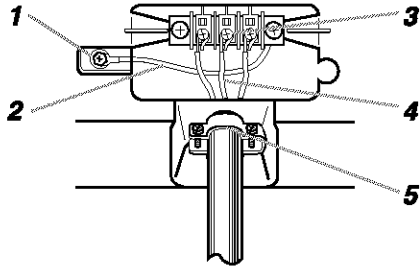
Al conectar el hilo al bloque de terminal, coloque el extremo del hilo en forma de gancho debajo del tornillo del bloque de terminal (viendo hacia la derecha). Apriete y junte el extremo en forma de gancho y apriete el tornillo.



1. Afloje o saque el tornillo central del bloque de terminal.

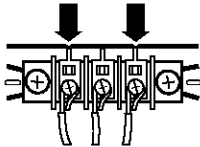
ESPAÑOL

- Coloque el extremo en forma de gancho del hilo neutro (hilo blanco o central) del cable de suministro eléctrico debajo del tornillo central del bloque de terminal (con el gancho mirando hacia la derecha). Apriete y junte el extremo enganchado. Apriete el tornillo.



- Conector de tierra externo
- Hilo neutro de puesta a tierra (verde/amarillo)
- Tornillo central de color plateado del bloque de terminal
- Hilo neutro (blanco)
- Protector de cables aprobado por UL de $\frac{3}{4}$ pulgada (1.9 cm)

- Coloque los extremos enganchados de los otros hilos del cable de suministro eléctrico debajo de los tornillos exteriores del bloque de terminal (con los ganchos mirando hacia la derecha). Apriete y junte los extremos enganchados. Apriete los tornillos.

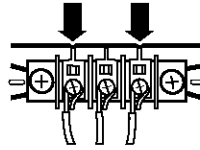


- Apriete los tornillos del protector de cables.
- Introduzca la lengüeta de la cubierta del bloque de terminal en la ranura del panel posterior de la secadora. Asegure la cubierta con el tornillo de sujeción.

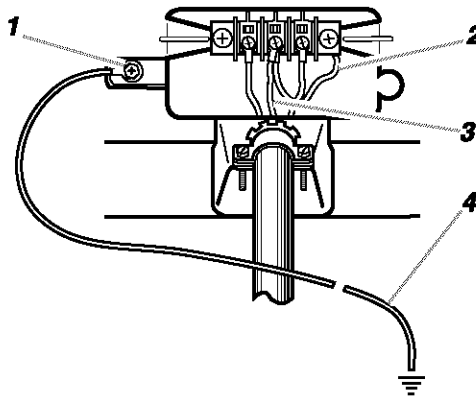
Cableado directo o cable de suministro eléctrico.

Use cuando los códigos locales no permitan la conexión del conductor de tierra del gabinete al hilo neutro.

- Saque el tornillo central del bloque de terminal.
- Saque el hilo de tierra del aparato (verde con rayas amarillas) del tornillo conector de tierra externo. Conecte el hilo de tierra del aparato y el hilo neutro (hilo blanco o central) del cordón/cable de suministro eléctrico debajo del tornillo central de color plateado del bloque de terminal. Apriete el tornillo.
- Conecte los otros hilos a los tornillos exteriores del bloque de terminal. Apriete los tornillos.



- Apriete los tornillos del protector de cables.
- Introduzca la lengüeta de la cubierta del bloque de terminal en la ranura del panel posterior de la secadora. Asegure la cubierta con el tornillo de sujeción.
- Conecte un hilo de tierra de cobre separado desde el tornillo conector de tierra externo a tierra adecuada.



- Conector de tierra externo
- Hilo neutro de puesta a tierra (verde/amarillo)
- Hilo neutro (blanco)
- Camino de puesta a tierra determinado por un electricista capacitado

Requisitos de ventilación

ADVERTENCIA



Peligro de incendio

Use un ducto de escape de metal pesado.

No use un ducto de escape de plástico.

No use un ducto de escape de aluminio.

No seguir estas instrucciones puede ocasionar la muerte o incendio.

ADVERTENCIA: Para reducir el riesgo de incendio, esta secadora DEBE VENTILARSE HACIA EL EXTERIOR.

Se debe usar un ducto de escape de metal pesado de 4 pulgadas (10.2 cm) y abrazaderas. Los productos de ventilación DURASAFE™ son recomendables y se encuentran disponibles en la tienda Sears o el centro de servicio técnico Sears de su localidad.

Los productos de ventilación DURASAFE pueden adquirirse de su distribuidor. Para más información, sírvase tomar como referencia los números de servicio técnico ubicados en la contraportada del manual.

Visite nuestro sitio en la internet en: www.sears.com

- No ventile la secadora hacia un conducto de ventilación de gas, chimenea, pared, techo o un espacio oculto de un edificio.
- No use capotas de ventilación con pestillos magnéticos.
- No instale el ducto de escape de metal flexible en paredes, techos o pisos encerrados.
- Para asegurar el ducto de escape no use tornillos u otros dispositivos que se extiendan hacia el interior de dicho conducto.

IMPORTANTE: Observe todas las normas y ordenanzas vigentes.

La ventilación inadecuada puede ocasionar la acumulación de humedad y pelusa en la casa, lo cual puede dar como resultado:

- Daños de humedad en la carpintería, muebles, pintura, empapelado, alfombras, etc.
- Problemas en la limpieza de la casa y de salud.

Use un ducto de escape de metal pesado. No use un ducto de escape de plástico o de aluminio.

Se recomienda el ducto de escape de metal pesado para evitar que se aplaste o se tuerza.

El ducto de escape de metal flexible debe extenderse y sostenerse por completo cuando la secadora está en su ubicación final. Quite el exceso del conducto de metal flexible para evitar que se doble y se tuerza, lo cual podría dar lugar a una reducción del flujo de aire.

Una capota de ventilación debe tapan el ducto de escape para evitar el ingreso de roedores e insectos a la casa.

La capota de ventilación debe estar por lo menos a 12 pulgadas (30.5 cm) de distancia del piso o de cualquier objeto que pudiese estar en el trayecto del ducto de escape (como flores, rocas o arbustos, etc).

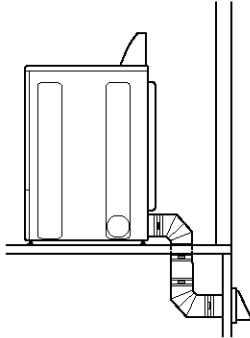
Si se usa un sistema de ventilación existente, limpie la pelusa que está en toda la longitud del sistema y asegúrese de que la capota de ventilación no esté obstruida con pelusa. La pelusa debe ser quitada nuevamente cada dos años, o con más frecuencia, de acuerdo con el uso de la secadora. Reemplace cualquier ducto de escape de plástico o de hoja de metal por uno de metal rígido o de metal flexible.

Use la cinta para tuberías para sellar todas las uniones.

ESPAÑOL

Previsiones especiales para las instalaciones en casas rodantes

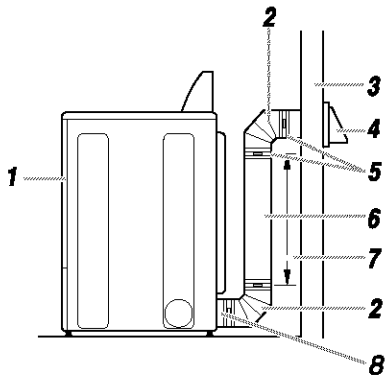
El ducto de escape deberá sujetarse firmemente en un lugar no inflamable de la estructura de la casa rodante. No use tornillos u otros dispositivos que se extiendan hacia el interior del ducto de escape para asegurarlo.



El ducto de escape debe terminar en el exterior. El ducto de escape no debe terminar debajo de la casa rodante y no debe conectarse a ningún otro conducto, respiradero o chimenea.

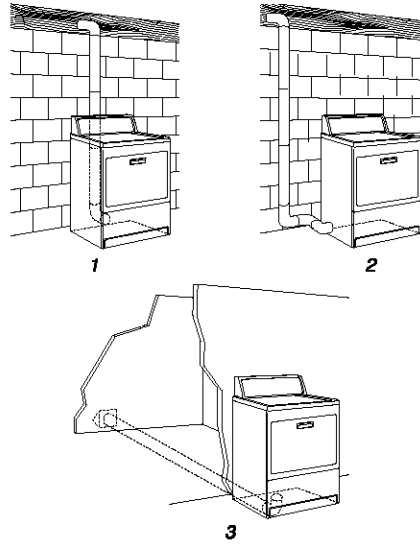
Cálculo de la longitud del ducto de escape

Las instalaciones típicas tienen la ventilación en la parte posterior de la secadora. Otras instalaciones son posibles.



- 1. Secadora
- 2. Codo
- 3. Pared
- 4. Capota de ventilación
- 5. Cinta para tubos y abrazaderas
- 6. Tubo de metal rígido o tubo de metal flexible
- 7. Longitud necesaria del ducto de escape para conectar los codos
- 8. Salida de ventilación

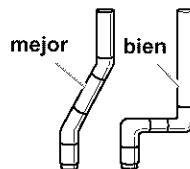
Instalaciones estándares de ventilación con tubos de metal rígidos o tubos de metal flexibles



- 1. Instalación estándar con ventilación en la parte posterior y conexiones indirectas
- 2. Instalación de ventilación lateral a la izquierda o a la derecha
- 3. Instalación de ventilación inferior

1. Seleccione la vía que proporcione el trayecto más recto y directo al exterior. Planifique la instalación a fin de usar el menor número posible de codos y vueltas.

Cuando use los codos o haga vueltas, deje todo el espacio que sea posible. Doble el ducto de escape gradualmente para evitar que se retuerza. Evite vueltas de 90°.

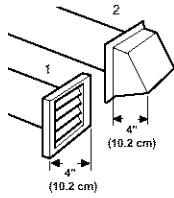


Determinación de la longitud del ducto de escape

La longitud máxima del sistema de ventilación depende de:

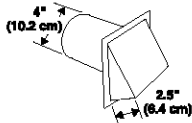
- El tipo de ducto de escape (metal rígido o metal flexible).
- El número de codos utilizados.

Los estilos recomendados de capotas de ventilación se ilustran aquí.



1. Estilo de capota con ventilación tipo persiana
2. Estilo de capota con ventilación tipo caja

El estilo de capota de ventilación angular (que se ilustra a continuación) es aceptable.



2. Vea el cuadro de longitud del ducto de escape que vaya de acuerdo con su tipo de capota de ventilación para fijarse en las longitudes máximas del ducto de escape que usted puede usar.

No use tendidos de ducto de escape más largos que los especificados en los cuadros de longitud de ducto de escape.

Los sistemas de ventilación más largos que los especificados:

- Acortarán la vida de la secadora.
 - Reducirán el rendimiento, dando lugar a tiempos de secado más largos y un aumento en el consumo de energía.
3. Determine el número de codos que va a necesitar.

En la columna que indica el tipo de ducto de escape de metal que usted está usando (metal rígido o metal flexible), encuentre la longitud máxima de ducto de escape metálico en la misma línea que el número de codos.

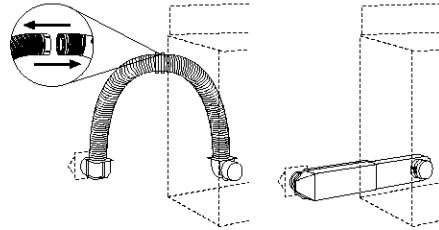
Cuadro de Longitud de los ductos de escape

Número de vueltas de 90° o codos	Tipo de tubo	Capotas de ventilación de caja o tipo persianas	Capotas angulares
0	Metal rígido	64 pies (20 m)	58 pies (17.7 m)
	Metal flexible	36 pies (11 m)	28 pies (8.5 m)
1	Metal rígido	54 pies (16.5 m)	48 pies (14.6 m)
	Metal flexible	31 pies (9.4 m)	23 pies (7 m)
2	Metal rígido	44 pies (13.4 m)	38 pies (11.6 m)
	Metal flexible	27 pies (8.2 m)	19 pies (5.8 m)
3	Metal rígido	35 pies (10.7 m)	29 pies (8.8 m)
	Metal flexible	25 pies (7.6 m)	17 pies (5.2 m)
4	Metal rígido	27 pies (8.2 m)	21 pies (6.4 m)
	Metal flexible	23 pies (7 m)	15 pies (4.6 m)

NOTA: Las instalaciones que se ventilan por el costado o por la parte inferior de la secadora tienen una vuelta de 90° dentro de la misma. Para determinar la longitud máxima del tubo, agregue una vuelta de 90° al cuadro.

Instalaciones alternas para espacios limitados

Los sistemas de ventilación vienen en una amplia gama. Seleccione el tipo más apropiado para su instalación. A continuación se ilustran dos tipos de instalación para espacios limitados. Consulte las instrucciones del fabricante.



1. Instalación en la parte superior (también está disponible con un codo de desviación)
2. Instalación de periscopio

Instalaciones laterales e inferiores

El sistema de ventilación de esta secadora puede modificarse hacia el lado derecho, el lado izquierdo o por la parte inferior.



Peligro de Incendio

Cubra los orificios de escape con uno de los juegos siguientes:

279818 (blanco)

279819 (marfil/almendra)

279915 (grafito)

279925 (bisque)

Comuníquese con su distribuidor local.

No seguir estas instrucciones puede ocasionar la muerte, incendio, choque eléctrico, o lesiones graves.

ESPAÑOL

Instalación del sistema de ventilación

1. (Opcional) Póngase lentes de seguridad y guantes.
2. Instale la capota de ventilación. Emplee una masilla de calafateo para sellar la abertura de la pared externa alrededor de la capota de ventilación.
3. Conecte el ducto de escape a la capota de ventilación. El ducto de escape debe encajar dentro de la capota de ventilación. Asegure el ducto de escape a la capota de ventilación con una abrazadera de 4 pulgadas (10.2 cm).
4. Extienda el ducto de escape a la ubicación de la secadora. Use la trayectoria más recta posible. Vea "Determinación de la longitud del ducto de escape." Evite giros de 90°. Use cinta para tubos para sellar todas las juntas.

Instalación de las patas niveladoras

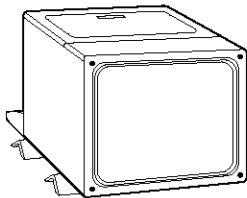
⚠ ADVERTENCIA

Peligro de Peso Excesivo

Use dos o más personas para mover e instalar la secadora.

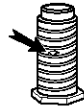
No seguir esta instrucción puede ocasionar una lesión en la espalda u otro tipo de lesiones.

1. Coloque dos de los esquinales de cartón en el piso detrás de la parte posterior de la secadora. Vea la ilustración.
2. Sujete con firmeza el cuerpo de la secadora (no la parte superior o el panel de la consola).



Recueste la secadora, con cuidado, en los esquinales de cartón.

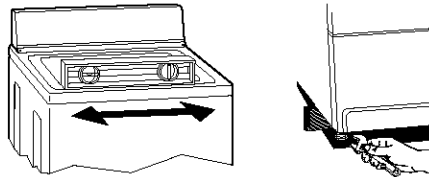
3. Examine las patas niveladoras. Localice la marca en forma de diamante.



4. Atornille con la mano las patas en los orificios de las patas. Use una llave de tuercas para terminar de atornillar las patas hasta que la marca en forma de diamante no quede visible.
5. Ponga la secadora de pie. Trasládela cerca de su ubicación final. Deje suficiente espacio para conectar el ducto de escape.

Nivelación de la secadora

Revise la nivelación de la secadora. Verifique primero de lado a lado y luego del frente hacia atrás.



Si la secadora no está nivelada, apuntale la secadora, usando un bloque de madera. Use una llave de tuercas para regular las patas hacia arriba o hacia abajo y verifique nuevamente si la secadora está nivelada.

NOTA: Quizás sea necesario nivelar la secadora nuevamente después de trasladarla a su ubicación final.

Conexión del ducto de escape

1. Usando una abrazadera de 4 pulgadas (10.2 cm), conecte el ducto de escape a la salida de aire de la secadora. Si se conecta a un ducto de escape existente, asegúrese de que el mismo esté limpio. El ducto de escape de la secadora debe encajar sobre la salida de aire de la secadora y dentro de la capota de ventilación. Cerciórese de que el ducto de escape esté asegurado a la capota de ventilación con una abrazadera de 4 pulgadas (10.2 cm).
2. Mueva la secadora a su posición final. No aplaste ni retuerza el tubo de ventilación. Asegúrese de que la secadora esté nivelada.

Instalación completa

1. Revise para cerciorarse de que todas las piezas estén instaladas. Si hay alguna pieza extra, vuelva a revisar todos los pasos para ver cuál se omitió.
2. Verifique si tiene todas las herramientas.
3. Deshágase de todos los materiales de embalaje.
4. Revise la localización final de la secadora. Asegúrese de que el ducto de escape no esté aplastado o retorcido.
5. Verifique si la secadora está nivelada. (Vea "Nivelación de la secadora.")
6. Enchufe en un contacto con conexión a tierra. Conecte la energía.
7. Quite la película protectora azul que está en la consola y cualquier cinta adhesiva que haya quedado en la secadora.
8. Lea "Funcionamiento de la secadora."
9. Limpie el interior del tambor de la secadora meticulosamente con un paño húmedo para quitar residuos de polvo.
10. Fije la secadora en un ciclo de calor máximo (no el ciclo de secado al aire) por 20 minutos. Abra la puerta de la secadora después de cinco minutos y verifique si hay calor. Si no siente el calor, apague la secadora y espere cinco minutos.

Luego revise lo siguiente:

- Que los controles estén fijados en una posición de funcionamiento u "On" (encendido).
- Que se ha presionado con firmeza el botón de puesta en marcha.

Repita una prueba de 5 minutos como se indicó más arriba. Si aún así la secadora no funciona adecuadamente, revise lo siguiente:

- Que la secadora esté conectada en un contacto con conexión a tierra.
- Que el suministro eléctrico esté conectado.
- Que el fusible de la casa esté intacto y ajustado; o que no se haya disparado el cortacircuitos.
- Que la puerta de la secadora esté cerrada.
- Si la secadora hace un ruido raro, revise si está nivelada.
- Es probable que sienta un olor a quemado. Este olor es común cuando el elemento de calor se utiliza por primera vez. El olor desaparecerá.

ESPAÑOL

FUNCIONAMIENTO DE LA SECADORA

⚠️ ADVERTENCIA



Peligro de Explosión

Mantenga los materiales y vapores inflamables, tales como la gasolina, alejados de la secadora.

No seque ningún artículo que haya tenido alguna vez cualquier sustancia inflamable (aún después de lavarlo).

No seguir estas instrucciones puede ocasionar la muerte, explosión o incendio.

⚠️ ADVERTENCIA



Peligro de Incendio

Ninguna lavadora puede eliminar completamente el aceite.

No seque ningún artículo que haya tenido alguna vez cualquier tipo de aceite (incluyendo los aceites de cocina).

Los artículos que contengan espuma, hule o plástico deben secarse en un tendedero o usando un Ciclo de Aire.

No seguir estas instrucciones puede ocasionar la muerte o incendio.

Debe de operar su secadora de la manera apropiada para lograr los mejores resultados posibles. Esta sección le proporciona esta información importante.

PUESTA EN MARCHA DE LA SECADORA

NOTA: Se han incluido dibujos en esta sección para mostrar las funciones básicas de todos los modelos que cubre este manual. Consulte la "Hoja de funciones" que se incluyó con la secadora para aprender acerca de las funciones específicas de su secadora.

PASO 1. Limpie el filtro de pelusa.

PASO 2. Introduzca la ropa en la secadora y cierre la puerta.

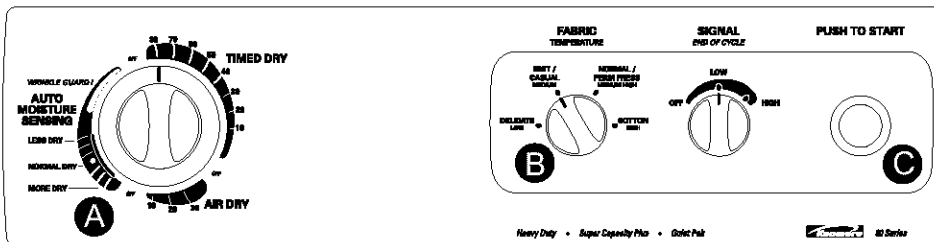
PASO 3. Fije la opción Control de selección de ciclos (Temporizador) **A**, (vea "Descripción de ciclos").

PASO 4. Fije la opción FABRIC/Temperature Control (Control de tela y de temperatura) **B**, (vea "Control de tela y de temperatura"). Consulte la etiqueta de la ropa para obtener sugerencias del fabricante.

PASO 5. Oprima el botón PUSH TO START (Empuje para iniciar) **C**. Asegúrese de que la puerta esté cerrada.

CÓMO DETENER/REINICIAR SU SECADORA

- Abra la puerta de la secadora para apagar la secadora en cualquier momento.
- Para volver a poner la secadora en marcha, oprima el botón de PUSH TO START (Empuje para iniciar) **C**. Asegúrese de que la puerta esté cerrada.
- Si desea finalizar el ciclo de secado, fije el Control de selección de ciclos (Temporizador) **A** en OFF (Apagado).



DESCRIPCIÓN DE CICLOS

para su Provecho

El ciclo de secado automático le ahorra tiempo, ya que rinde los mejores resultados en menos tiempo. Esto le puede ayudar a ahorrar dinero en sus cuentas de servicios públicos y reducir el riesgo de dañar los tejidos.

CICLOS: AUTO MOISTURE SENSING (Detección Automática de humedad) o EVENHEAT™ con AUTO MOISTURE SENSING PLUS (Detección Automática de humedad plus)

Dependiendo de su modelo, el ciclo automático de su secadora es detección automática de humedad o EVENHEAT™ con detección automática de humedad plus. Use este ciclo para la mayoría de las cargas. El tiempo de secado varía dependiendo del tipo de telas, tamaño de la carga y la selección del grado de secado.

- Fije el control de Selección de ciclos (Temporizador) en NORMAL DRY (Secado normal) (*) el cual es apropiado para la mayoría de los tejidos.
- Al final del ciclo, toque la ropa que secó. Si sigue húmeda, seleccione MORE DRY (Más seco) la siguiente vez que seque una carga similar. Si la ropa se ha sobresecado, seleccione LESS DRY (Menos seco) o DAMP DRY (Secado húmedo) (dependiendo del modelo) la siguiente vez que seque una carga similar.
- La sequedad se determina por un sensor electrónico que "siente" la cantidad de humedad dentro de la ropa cuando la ropa pasa por este sensor. Cuando la sequedad seleccionada se alcanza, la secadora empieza un periodo de Cool Down (Enfriamiento) de hasta 10 minutos.

- Si elige la End of Cycle Signal (Señal de Fin de Ciclo), ésta sonará una vez que termine el ciclo.
- Si Ud. no saca la ropa de la secadora, ésta empieza un ciclo de WRINKLE GUARD® (Protección antiarrugas) (Vea "Uso de WRINKLE GUARD®").
NOTA: En algunos modelos, el ciclo WRINKLE GUARD® (Protección antiarrugas) se selecciona por medio de un interruptor opcional.

TIMED DRY (Ciclo de secado programado)

Utilice este ciclo para secar con calor por 80 ó 90 minutos (según el modelo) de tiempo de secado con calor.

- Un período de Cool Down (Enfriamiento) de 10 minutos (aproximadamente) le sigue al ciclo de calor.
- La End of Cycle Signal (Señal de fin de ciclo) suena (si está seleccionada) una vez que el ciclo se termina.

NOTA: Se activará la opción de WRINKLE GUARD® (Protección antiarrugas) en aquellas secadoras con este control cuando termine este ciclo (si está seleccionado).

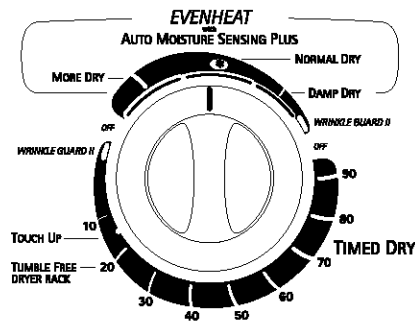
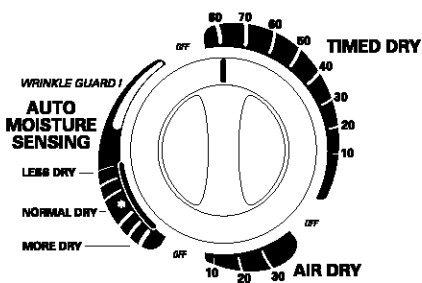
TOUCH UP (Ciclo de retoque)

Use este ciclo para quitar arrugas de la ropa sintética e inarrugable que esté limpia pero arrugada a causa de estar en un ropero o en una maleta.

- Esta posición provee un ciclo de calor de 15 minutos y después sigue un período de Cool Down (Enfriamiento) de 10 minutos (aproximadamente).
- Saque la ropa inmediatamente cuando este ciclo termine.

ESPAÑOL

Q



FABRIC/TEMPERATURE CONTROL (Control de tela y de temperatura)

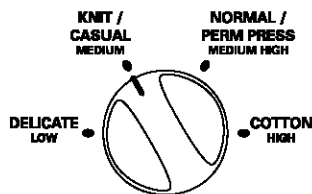
para su Provecho

El uso adecuado de este control ayudará a que las prendas se sequen con la temperatura adecuada para prolongar su vida útil.

Utilice este control para seleccionar la temperatura adecuada para el tipo de ropa que se desea secar.

- Seleccione LOW (Bajo) para telas delicadas. Seleccione HIGH (Alto) para telas duraderas tales como la ropa fuerte de trabajo o toallas de baño.
- El control de FABRIC/Temperature (de tela y de temperatura) no funciona si el Control de selección de ciclos (Temporizador) se encuentra en el ciclo AIR DRY (Secado con aire).

FABRIC TEMPERATURE



La siguiente tabla muestra las especificaciones recomendadas para la secadora y la cantidad de tiempo necesario para varias cargas de ropa. Esta tabla es solamente una guía. Las especificaciones pueden requerir modificaciones de acuerdo con la carga de ropa que se desea secar.

Tipo de carga	Especificación automática	Temperatura de secado	Especificación de TIMED DRY (Secado programado)
PRENDAS DE ALGODÓN Y ROPA BLANCA			
Peso Extra – Cubrecamas, cubiertas de colchón, edredones	MORE DRY (MÁS SECO)	HIGH (ALTA)	70-80 min.
Peso pesado – Toallas, vaqueros, pantalones de pana, ropa de trabajo	MORE DRY (MÁS SECO)	HIGH (ALTA)	50-60 min.
Peso mediano – Sábanas, ropa interior de algodón, pañales	NORMAL DRY (SECADO NORMAL)	MEDIUM/HIGH (MEDIA/ALTA) O MEDIUM (MEDIA)*	40-50 min.
Peso liviano – Batistas, organdís, ropa interior de mujer	NORMAL DRY (SECADO NORMAL)	LOW (BAJA)	30-40 min.
INARRUGABLES, SINTÉTICOS Y MEZCLAS			
Peso pesado – Ropa de trabajo, chaquetas, impermeables	NORMAL DRY (SECADO NORMAL)	HIGH (ALTA)	40-50 min.
Peso mediano – Camisas, ropa de niño, sábanas, pantalones	NORMAL DRY (SECADO NORMAL)	MEDIUM/HIGH (MEDIA/ALTA) O MEDIUM (MEDIA)*	30-40 min.
Peso liviano – Ropa interior de mujer, blusas, vestidos	LESS DRY (MENOS SECO) O DAMP DRY (SECADO HÚMEDO)	MEDIUM (MEDIA) O LOW (BAJA)*	20-30 min.
TEJIDOS			
Peso pesado – Prendas de algodón, rayones, mezclas, camisetas, pantalones, camisas	NORMAL DRY (SECADO NORMAL)	HIGH (ALTA)	40-50 min.
Peso mediano – Sintéticos (poliéster, acrílico, etc.), pantalones de vestir, faldas, suéteres	NORMAL DRY (SECADO NORMAL)	MEDIUM/HIGH (MEDIA/ALTA) O MEDIUM (MEDIA)*	30-40 min.
Peso liviano – Sintéticos (poliéster, acrílico, etc.) y mezclas, ropa interior de mujer, blusas, vestidos	LESS DRY (MENOS SECO) O DAMP DRY (SECADO HÚMEDO)	LOW (BAJA)	20-30 min.

22 *Use la especificación más baja disponible en su secadora.

USO DE AIR DRY/AIR FLUFF (Secado con aire/secado con aire suave)

para su Provecho

El uso de estos ciclos le proporcionará todos los beneficios obtenidos al colgar la ropa para secarla, sólo que lo logra en menos tiempo.

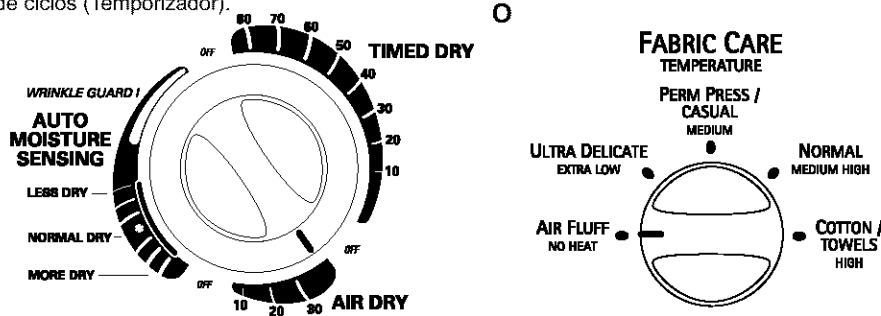
Utilice el ciclo de AIR DRY (secado con aire) para obtener hasta 30 minutos de secado con aire a temperatura ambiente. Use esta posición para artículos que no toleran el calor, tales como los artículos de espuma, goma, plásticos o tejidos sensibles al calor. También esta posición se usa para secar con aire y con aire suave artículos tales como almohadas.

La posición de ciclo de AIR FLUFF (Secado con aire suave) funciona igual al ciclo de secado con aire. Esta posición está disponible en modelos de secadora que no tienen ciclo de secado con aire en el control de selección de ciclos (Temporizador).

Para usar el ciclo SECADO CON AIRE SUAVE:

- Fije el control de selección de ciclos al número de minutos que Ud. desea en el ciclo de TIMED DRY (Secado programado).
- Fije el control de FABRIC/Temperature (Tela y de temperatura) en el ciclo de secado con aire suave.
- Fije las otras opciones. Oprima el botón de PUSH TO START (Empuje para iniciar).

Refiérase a la tabla siguiente para ejemplos de artículos que requieren secarse sin calor. Use el ciclo de secado con aire, o cuelgue estos artículos en una cuerda o póngalos en un estante para que se sequen al aire libre.



Clase de Carga de Ropa	CICLO DE SECADO CON AIRE Posición de SECADO CON AIRE SUAVE
PRENDAS FINAS Cortinas diáfanas/sutiles (2 ó 3 paneles), gasa, encaje, etc. (Use el ciclo de secado con aire/secado con aire suave si la temperatura de calor mínimo no está disponible).	20 a 30 minutos
GOMA, PLÁSTICO, TEJIDOS SENSIBLES AL CALOR Gomaespuma – Almohadas, sostenes rellenos, juguetes rellenos • Asegúrese de que los tapices estén bien tejidos. • Sacuda las almohadas a mano varias veces durante el ciclo. • Asegúrese de que las almohadas estén completamente secas. Las almohadas hechas de gomaespuma demoran más tiempo en secarse.* Plástico – Cortinas de ducha, manteles Alfombras con goma Olefina, Polipropileno, nilón diáfano	20 a 30 minutos 20 a 30 minutos 40 a 50 minutos 10 a 20 minutos

* Cambie el tiempo, conforme sea necesario, para permitir que esta ropa se seque completamente.

ESPAÑOL

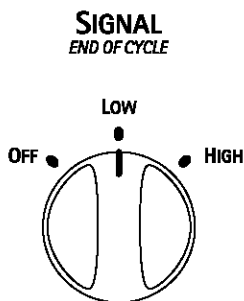


END OF CYCLE SIGNAL
(Control de señal de fin de ciclo)

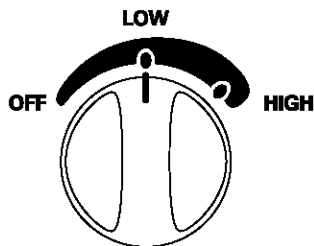
para su Provecho

Al finalizar un ciclo, su secadora emite una señal. La señal es muy útil al secar prendas inarrugables, sintéticas, y otras prendas que se deben sacar de la secadora una vez que se apaga para evitar que se arruguen.

- Se puede ajustar el volumen de la señal.



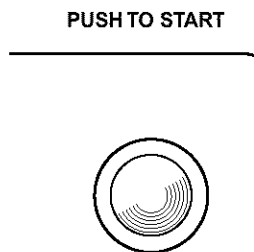
- El control variable le permite seleccionar un volumen que va de OFF (apagado) a HIGH (alta).



PUSH TO START
(Botón de empuje para iniciar)

Use este control para iniciar la secadora. Asegúrese de que la puerta de la secadora esté cerrada.

El abrir la puerta apaga la secadora. La secadora no se iniciará de nuevo hasta que Ud. cierre la puerta y oprima el botón de PUSH TO START (Empuje para iniciar). Asegúrese de que el control de selección de ciclos (Temporizador) todavía indique un ciclo de secado o una posición de aire.



EVENHEAT™ (Calor uniforme) con AUTO MOISTURE SENSING PLUS (Detección automática de humedad plus)

para su **Provecho**

EVENHEAT™ con AUTO MOISTURE SENSING PLUS es el único sistema que usa 2 sensores diferentes para "comprender" cuán rápido se está secando la carga, ajustando el tiempo para un cuidado óptimo de las telas.

Este ciclo utiliza 2 bandas de detección de la humedad en la parte posterior de la secadora. Cuando las bandas ya no "sienten" ninguna humedad en las prendas, la secadora se apagará automáticamente para evitar que la ropa se seque en exceso o se achique.

COOL DOWN (Enfriamiento)

Aproximadamente diez minutos antes del final de los ciclos AUTO MOISTURE SENSING (detección automática de humedad) y TIMED DRY (secado programado), la ropa dará vueltas sin calor para reducir las arrugas y hacer el manejo de la ropa más cómodo.

USO DE WRINKLE GUARD® (Protección antiarrugas)

para su **Provecho**

WRINKLE GUARD® (Protección antiarrugas) ayuda a que sus prendas inarrugables se mantengan sin arrugas cuando no se puede sacar la ropa de la secadora a tiempo cuando se termina el ciclo de secado automático.

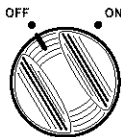
Si Ud. no abre la puerta cuando se termine el ciclo de secado automático, el ciclo de protección antiarrugas hará dar vueltas a la ropa sin calor.

- En las secadoras con WRINKLE GUARD® I (Protección antiarrugas I), la secadora hará dar vueltas continuamente a la ropa aproximadamente 30 minutos, a menos que usted abra la puerta de la secadora.
- En las secadoras con WRINKLE GUARD® II (Protección antiarrugas II), este proceso periódico continuará cada 15 segundos por aproximadamente 40 minutos a menos que Ud. abra la puerta de la secadora antes.
- En las secadoras con WRINKLE GUARD® III (Protección antiarrugas III), este proceso periódico continuará cada 15 segundos por aproximadamente 2 horas y media a menos que usted abra la puerta de la secadora antes.
- WRINKLE GUARD® III (Protección antiarrugas III) tiene una opción seleccionable de ON/OFF (encendido y apagado). Cuando la protección antiarrugas III se fija en OFF (Apagado), la secadora se detiene después del enfriamiento y se puede descargar.

End of Cycle Signal (Señal de fin de ciclo) sonará después de cada ciclo de tambor a menos que esté desactivada.

ESPAÑOL

WRINKLE GUARD III



ESTANTE DE TUMBLE FREE™ (Secado caliente no rotativo)

Su secadora puede incluir un estante de secado. Si su secadora no tiene un estante de secado, usted puede comprar uno llamando a Sears (vea la contraportada).

para su Provecho

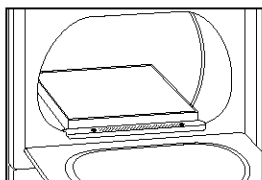
Use el Estante de Secado Caliente no rotativo™ para artículos que usted no quiere secar con rotación, tales como suéteres. Cuando usted usa el estante de secado caliente, el aire caliente dentro de la secadora fluye de manera concentrada para permitir un secado eficiente y uniforme.

Para usar el estante de secado caliente:

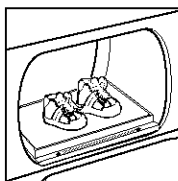
No saque el filtro de pelusa.

PASO 1. Abra la puerta de la secadora.

PASO 2. Deslice el estante de secado sobre la parte inferior de la abertura de la puerta de la secadora. Empuje el estante hacia abajo para asegurarlo en el armazón.



PASO 3. Coloque los artículos a secar sobre el estante de secado. Deje que haya espacio alrededor de los artículos para que circule el aire. El estante no se mueve, pero el tambor girará. Asegúrese de que los artículos no se caigan por los extremos o entre las barras del estante.



PASO 4. Cierre la puerta de la secadora.

PASO 5. Seleccione el ciclo deseado según el tipo de tejidos que tenga en la carga de ropa. Los artículos que contengan espuma, hule o plástico deben secarse en un tendedero o usando un ciclo de aire.

PASO 6. Fije el control FABRIC/Temperature (de tela y de temperatura) si está disponible. Refiérase a la tabla a continuación.

PASO 7. Inicie la secadora.

Para sacar el estante de secado, levántelo recto y hacia afuera de la secadora.

NOTA: Revise el filtro de pelusa y quite toda la pelusa que se haya acumulado proveniente de los artículos secados sobre el estante.

Artículos recomendados para secar en el Estante de secado	Posición de FABRIC/Temperature (de tela y de temperatura)	Posición de selección (Temporizador) de ciclos	Tiempo Sugerido (minutos)*
Artículos lavables de lana (déles forma y colóquelos en forma plana sobre el estante)	DELICATE (PRENDAS FINAS)	TIMED DRY (SECADO PROGRAMADO)	20
Juguetes rellenos (relleno de fibra de algodón o poliéster)	COTTON (ALGODÓN)	TIMED DRY (SECADO PROGRAMADO)	20
Juguetes rellenos (relleno con gomaespuma)	AIR FLUFF (SECADO CON AIRE SUAVE) o AIR DRY (SECADO CON AIRE)		50
Galochas (de goma)	AIR FLUFF (SECADO CON AIRE SUAVE) o AIR DRY (SECADO CON AIRE)		20
Almohadas de gomaespuma	AIR FLUFF (SECADO CON AIRE SUAVE) o AIR DRY (SECADO CON AIRE)		50
Zapatos de tenis	AIR FLUFF (SECADO CON AIRE SUAVE) o AIR DRY (SECADO CON AIRE)		20

*Vuelva a fijar el tiempo de secado tal como sea necesario para lograr un secado completo.



SUGERENCIAS DE LAVANDERÍA

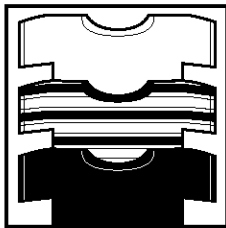
para su **Provecho**

El seguir estas sugerencias le ayudará a ahorrar dinero en su cuentas eléctricas y prolongar la vida de su ropa.

PREPARACIÓN DE LA ROPA PARA EL SECADO

- Consulte su Manual del Propietario de la Lavadora para técnicas apropiadas de lavado y sugerencias adicionales de lavandería.

CLASIFICACIÓN DE ROPA



- Separe la ropa de color oscuro de la de color brillante, los artículos que destiñen de los artículos que no destiñen. Generalmente los artículos que se separan apropiadamente para el lavado están apropiadamente separados para el secado.
- Separe los tejidos pesados (mezclilla, toallas) de tejidos livianos (sintéticos, inarrugables).
- Separe los artículos que despiden pelusa (toallas, felpilla) de los artículos que atraen pelusa (pana, sintéticos, inarrugables). Cuando sea posible, voltee los artículos que atraen pelusa de adentro hacia afuera.

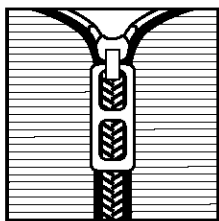
CÓMO ESCOGER EL TAMAÑO DE CARGA DE ROPA

- Mezcle los artículos grandes con artículos pequeños. Cargue la secadora por la capacidad de espacio que los artículos requieren y no por su peso. No sobrecargue la secadora. El sobrecargado de ropa hace que los artículos no se sequen correctamente y que se arruguen y puede causar que se gasten más (debido a la formación de pelotitas de pelusa en la tela).
- Es posible que tenga que reorganizar artículos grandes (sábanas, cubrecamas, manteles) durante un ciclo para evitar que los artículos se amontonen.
- Para lograr mejor movimiento del tambor al secar pocos artículos pequeños, agregue una o dos toallas sin pelusa. Esto también ayuda a que los artículos pequeños no bloqueen la corriente de aire.

SECADORAS DE CAPACIDAD EXTRA GRANDE "KING"		
Ropa de trabajo pesado	Toallas	Carga de ropa mixta
4 vaqueros	10 toallas de baño	3 sábanas (1 de cama doble, 2 de camas gemelas)
4 pantalones de trabajo	10 toallas de mano	4 fundas de almohada
4 camisas de trabajo	14 toallas faciales	3 camisas
2 camisetitas de deporte		3 blusas
2 pantalones de gimnasia		9 camisetitas
		9 pantalones cortos
		10 pañuelos

ESPAÑOL

SUGERENCIAS DE SECADO



- Cierre los cierres, botones y enganches para evitar el daño de otros artículos. Quite bordes sensibles al calor que puedan dañarse al secarse. Ate lazos y cordones para que no se enreden.
- Fijese si las prendas salen con manchas después de lavarse. No seque estas prendas. El calor puede causar que estas manchas se conviertan en manchas permanentes.
- Revise los bolsillos antes de secar. Los objetos afilados o metales pueden dañar su secadora. No ponga estos objetos sobre su secadora ya que pueden dañar el acabado. Saque los bolsillos de los artículos pesados para que se sequen en forma uniforme.
- Coloque los artículos pequeños tales como calcetines de bebé o pañuelos en una bolsa de lavandería para que sea más fácil sacarlos.
- Los artículos que deben ser planchados deben sacarse cuando aún estén húmedos.

USO DE SUAVIZANTES DE TEJIDOS PARA SECADORA

Se recomienda el uso de suavizantes de tejidos para secadora para reducir el estático. Siempre siga las instrucciones del paquete cuidadosamente.

- Ponga una hoja de suavizante de tejidos encima de la carga de ropa antes de prender la secadora. No introduzca la hoja de suavizante de tejidos después de que el ciclo de secado haya empezado. El calor instantáneo puede causar que el suavizante de tejidos manche los tejidos.
- Quite las manchas de suavizantes de tejidos mojando las manchas y pasándoles detergente líquido o jabón en barra. Luego lávelos de nuevo.
- Algunos suavizantes de tejidos pueden tapan los filtros de pelusa y prolongar el secado. Use suavizantes de tejidos que tengan etiquetas de seguridad para la secadora.

CÓMO AHORRAR ENERGÍA

- Separe las cargas de ropa por peso y clase de tejido.
- Use el ciclo de secado automático para secar la mayoría de las cargas.
- Seque cargas completas de ropa únicamente. No deje que su ropa se seque demasiado.
- Evite sobrecargar la secadora, agregar artículos mojados a una carga de ropa ya media seca, o abrir la puerta sin necesidad.
- El tiempo de secado se puede reducir ventilando la secadora apropiadamente y limpiando el conducto de salida de aire y la capota afuera del conducto cuando sea necesario.
- Mantenga el filtro de pelusa limpio.
- Use la secadora donde la temperatura ambiental es más de 45°F (7°C).

CUIDADO DE LA SECADORA

CÓMO LIMPIAR SU SECADORA

para su **Provecho**

El cuidar apropiadamente su secadora puede extender la vida de la misma y le ayudará a evitar reparaciones costosas.

ADVERTENCIA

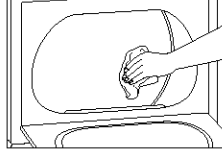


Peligro de Explosión
Use un limpiador no inflamable.
No seguir esta instrucción puede ocasionar la muerte, explosión o incendio.

Cómo limpiar el tambor de la secadora:

PASO 1. Haga una pasta con detergente y agua tibia y aplíquela a un trapo suave.

PASO 2. Refriegue el área hasta que la mancha desaparezca.



NOTA: Las prendas que contienen teñidos inestables, tales como los pantalones vaqueros azules de mezclilla o artículos de colores vivos de algodón pueden teñir el interior del tambor. Estas manchas no dañarán su secadora y no mancharán las cargas futuras de ropa. Es útil secar artículos desteñibles al revés para evitar la transferencia de tintes.

PASO 3. Limpie completamente con un trapo húmedo.

PASO 4. Ponga una carga de toallas limpias a secar en un ciclo de tambor por 20 minutos.

ESPAÑOL

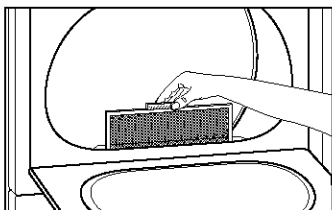
CÓMO LIMPIAR EL FILTRO DE PELUSA DE PELUSA

Saque la pelusa antes de cada carga de ropa

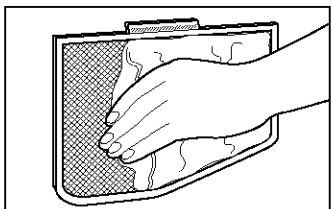
El filtro de pelusa se encuentra en la abertura de la puerta. Limpie el filtro de pelusa antes de secar cada carga de ropa. Un filtro lleno de pelusa puede aumentar el tiempo de secado.

Para limpiar:

PASO 1. Levante el filtro de pelusa directamente hacia arriba.



PASO 2. Haga rodar la pelusa fuera del filtro con sus dedos. No enjuague ni limpie el filtro con agua para sacar la pelusa. Es difícil sacar la pelusa cuando está mojada.



PASO 3. Empuje el filtro de pelusa firmemente para colocarlo nuevamente en su lugar.

IMPORTANTE:

- No ponga la secadora en marcha si el filtro de pelusa está flojo, dañado, tapado, o si no lo tiene. El hacerlo puede causar que la secadora se caliente demasiado y puede causar daño a los tejidos así como a la secadora.
- Algunas toallas hechas de fibras sintéticas y naturales (mezclas de poliéster y algodón) pueden soltar más pelusa que otras toallas. Esto hace que el filtro de pelusa se llene más rápido. Asegúrese de quitar la pelusa del filtro de pelusa antes y después de secar toallas nuevas.
- Si cae la pelusa del filtro dentro de la secadora en el momento de su remoción, revise periódicamente la capota de ventilación y quite la pelusa acumulada (vea "Requisitos de ventilación").

Lave el filtro de pelusa cuando sea necesario

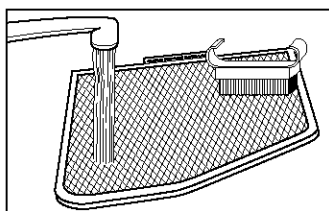
Los detergentes de lavandería y suavizantes de tejidos pueden dejar un residuo en el filtro de pelusa.

Lava el filtro de pelusa con un cepillo de nilón si se obstruye debido a la acumulación de residuos.

Cómo limpiarlo:

PASO 1. Moje los dos lados del filtro de pelusa con agua caliente.

PASO 2. Moje un cepillo de nilón con agua caliente y detergente líquido, restriegue el filtro de pelusa con el cepillo para quitar la acumulación de residuo.



PASO 3. Enjuague el filtro de pelusa con agua caliente.

PASO 4. Seque a fondo el filtro de pelusa con una toalla limpia y colóquelo nuevamente en la secadora.

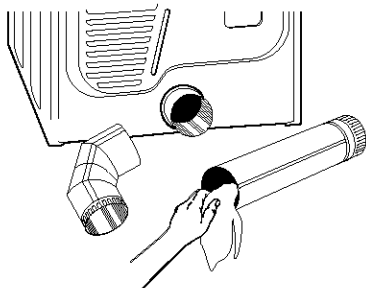
CÓMO QUITAR PELUSA ACUMULADA

Para quitar la pelusa acumulada del ducto de escape:

PASO 1. Desconecte el ducto de escape de la secadora.

PASO 2. Limpie una sección del ducto de escape a la vez hasta que llegue a la capota de ventilación. Para limpiar la pelusa, puede usar el adaptador de manguera de una aspiradora o una vara o alambre con un plumero o trapo en el extremo.

PASO 3. Vuelva a conectar el ducto de escape tal como se describe en las "Instrucciones de Instalación" de este Manual del propietario.



Cómo quitar la pelusa acumulada en la parte interior de la secadora:

Se debe quitar la pelusa cada 2 años, o más a menudo, dependiendo del uso de la secadora. La limpieza debe ser efectuada por una persona calificada.

CUIDADO PARA LA MUDANZA

- Desconecte el suministro eléctrico.
- Asegúrese de que las patas niveladoras estén seguras en la base de la secadora.
- Use cinta adhesiva para asegurar la puerta de la secadora.

CUIDADO PARA LAS VACACIONES

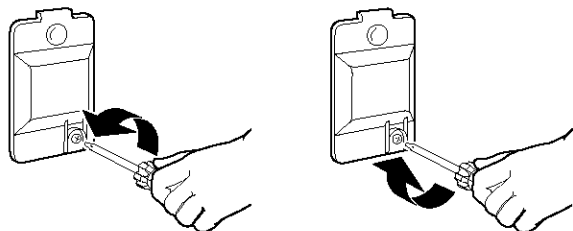
- Desconecte el suministro eléctrico.
- Lave el filtro de pelusa.

CAMBIO DE LA LUZ DEL TAMBOR

La luz de la secadora se enciende automáticamente en el interior del tambor de la secadora cuando usted abre la puerta.

Para cambiar la luz del tambor

PASO 1. Desenchufe la secadora o desconecte el suministro eléctrico.



PASO 2. Abra la puerta de la secadora. Localice la cubierta del foco de luz en la pared posterior de la secadora. Quite el tornillo ubicado en la esquina inferior derecha de la cubierta. Quite la cubierta.

PASO 3. Gire el foco en sentido contrario a las manecillas del reloj. Reemplácelo únicamente con un foco para electrodomésticos de 10 W. Vuelva a colocar la cubierta en su lugar y aprétela con el tornillo.

PASO 4. Enchufe la secadora o vuelva a conectar el suministro eléctrico.

LOCALIZACIÓN Y REPARACIÓN DE AVERÍAS

para su Provecho

La mayoría de los problemas de lavandería se pueden resolver fácilmente si Ud. entiende la causa. El uso de las tablas a continuación le ahorrará tiempo y dinero, ya que le ayudará a evitar llamadas innecesarias de servicio y reparación.

Problema	Causa probable	Solución
No seca correctamente	El filtro de pelusa está tapado con pelusa.	Limpie el filtro de pelusa.
	El movimiento de aire está restringido. El ducto de escape o la capota del escape está tapada con pelusa.	Prenda la secadora de 5 a 10 minutos. Ponga su mano debajo de la capota del escape de afuera y observe si hay movimiento de aire. Si no siente movimiento de aire, limpie la pelusa del sistema de escape o cambie el ducto de escape por un ducto rígido o flexible de metal pesado (véase "Instrucciones de Instalación").
	El ducto de escape está trabado o retorcido.	Cámbielo por un ducto rígido o flexible de metal pesado (véase "Instrucciones de Instalación").
	Un fusible está quemado o el disyuntor está apagado. La secadora aparentará funcionar pero no producirá calor.	Cambie el fusible o prenda el disyuntor de nuevo.
	El temporizador o control de temperatura está en AIR DRY (Secado con aire) o AIR FLUFF (Secado con aire suave).	Seleccione el ciclo correcto para el tipo de ropa que se está secando (véase "Funcionamiento de la Secadora").
	La carga de ropa no hace contacto con las bandas del sensor y el ciclo automático se termina antes de tiempo.	Nivele la secadora (véase "Instrucciones de Instalación").
	Las hojas de suavizante de tejidos están tapando el filtro de afuera.	Use únicamente una hoja de suavizante de tejidos por cada carga de ropa y úsela solamente una vez.
	La secadora se encuentra en un cuarto en donde la temperatura es más baja de 45°F (7°C).	Traslade la secadora a un lugar donde pueda funcionar a temperaturas ambientales superiores a 45°F (7°C).
	Hay mucha humedad en la carga de ropa.	Los artículos que mantienen más humedad (tales como las prendas de algodón) demorarán más tiempo en secarse.
	Se usa agua fría para enjuagar.	El secado demora más tiempo, pero está ahorrando energía y las prendas saldrán menos arrugadas.
La secadora no funciona	La carga de ropa es demasiado grande y voluminosa para secarse rápido.	Separe la carga de ropa para que el tambor se pueda mover libremente.
	El cable de suministro eléctrico no está enchufado con firmeza.	Enchufe la secadora con firmeza. Utilice un cable de suministro eléctrico nuevo de 30 amp con aprobación de UL.
	Los fusibles están quemados o el disyuntor está apagado.	Cambie los fusibles o prenda el disyuntor de nuevo.

ESPAÑOL

Problema	Causa probable	Solución
La secadora no funciona (cont.)	Se está utilizando un fusible regular.	Cambie el fusible por un fusible retardador.
	La puerta de la secadora no está bien cerrada.	Cierre la puerta de la secadora correctamente.
	El botón PUSH TO START (Empuje para iniciar) no se ha oprimido	Oprima el botón de PUSH TO START (Empuje para iniciar) de nuevo.
	No se han fijado los controles en ON (encendido).	Vuelva a fijar los controles en ON (encendido).
Pelusa en la carga de ropa	El filtro de pelusa está tapado.	Limpie el filtro de pelusa. Compruebe si hay movimiento de aire.
	Separación incorrecta.	Separe las prendas que despiden pelusa de las que la atraen. También sepárelas por colores.
	La carga de ropa es demasiado grande o pesada.	Seque cargas de ropa más pequeñas para que la pelusa pueda atraerse al filtro de pelusa.
	La carga de ropa está demasiado seca.	Use la programación de secado correcta para sus tejidos. El secar demasiado puede causar que la pelusa atraiga estático (véase "Funcionamiento de la Secadora").
	Hay papel o pañuelos de papel en los bolsillos.	Limpie los bolsillos antes del secado.
	Se confunde la pelusa de superficie con pelusa regular.	La pelusa de superficie es normal y la causa el lavado y uso normal de la prenda.
Manchas en la carga de ropa	El uso inapropiado del suavizante de tejidos en la lavadora.	Use hojas de suavizante de tejidos dentro de la secadora. Agréguelas al principio del ciclo cuando la carga de ropa todavía está fría.
	Ha secado artículos manchados.	Es necesario limpiar los artículos antes de secarlos.
Encogimiento de artículos	Periodos de secado demasiado prolongados.	Asegúrese de que la programación de la secadora coincida con la clase de tejido. (véase "Funcionamiento de la Secadora").
	Calidad mala del tejido.	Fijese en la calidad del tejido antes de comprarlo.
	No se han seguido las instrucciones de la etiqueta de cuidado de las prendas.	Siga las instrucciones de la etiqueta de cuidado cuidadosamente.
Las cargas de ropa salen arrugadas	La carga de ropa es demasiado grande.	Seque cargas de ropa más pequeñas que permitan que el tambor se mueva con facilidad.
	Periodos de secado demasiado prolongados.	Asegúrese de que la programación de la secadora coincida con la clase de tejido. (véase "Funcionamiento de la Secadora").
	Se deja la carga de ropa en la secadora después de que termina el ciclo.	Saque la carga de ropa una vez que el ciclo de tambor termina.
Olores	¿Se ha pintado, teñido o barnizado en el área en donde se encuentra la secadora?	Si es así, ventile el área. En cuanto los olores o vapores se hayan ido del área, su vuelta a lavar la ropa y luego séquela.
	Es el primer uso del elemento de secado.	El olor desaparecerá después del primer ciclo.
Sonidos inusuales	Golpes de rodillos cuando la secadora no se ha usado por un período.	Los golpes desaparecerán después de 5 minutos de uso de la secadora.

REPARAMOS LO QUE VENDEMOS

Su compra adquiere un nuevo valor ya que usted puede confiar en Sears HomeCentral® para obtener servicio de reparación. Con más de 12,000 especialistas capacitados en reparaciones y acceso a más de 4.2 millones de piezas de repuesto y accesorios, contamos con las herramientas, piezas, conocimiento y la destreza para asegurarnos de cumplir nuestra promesa de que: Reparamos lo que vendemos.

Los Contratos de mantenimiento Sears

Su electrodoméstico Kenmore está diseñado, fabricado y sometido a prueba para proporcionarle años de funcionamiento confiable. No obstante, cualquier electrodoméstico moderno puede necesitar servicio técnico de vez en cuando. El contrato de mantenimiento Sears le ofrece un programa de servicio excepcional, a un precio accesible.

El Contrato de mantenimiento Sears

- Es la manera de adquirir el servicio técnico del mañana a precios de hoy.
- Elimina las facturas de reparación producidas por el uso normal y el desgaste.
- Proporciona asistencia no técnica y educativa.
- Aún cuando no necesite reparaciones, le proporciona una revisión anual de mantenimiento preventivo a solicitud suya, para asegurarse de que su electrodoméstico está en condiciones apropiadas de funcionamiento.

Se aplican ciertas restricciones. Para obtener más información, llame al 1-888-784-6427.

Para obtener información referente a los Contratos de mantenimiento de Sears Canadá, llame al 1-800-361-6665.

ESPAÑOL

Get it fixed, at your home or ours!

For repair of major brand appliances in your own home . . .
no matter who made it, no matter who sold it!

1-800-4-MY-HOME® Anytime, day or night
(1-800-469-4663) (U.S.A. and Canada)
www.sears.com www.sears.ca

For repair of carry-in products like vacuums, lawn equipment, and
electronics, call for the nearest **Sears Parts and Repair Center.**

1-800-488-1222 Anytime, day or night (U.S.A. only)
www.sears.com

For the replacement parts, accessories and owner's manuals
that you need to do-it-yourself, call **Sears PartsDirectSM**!

1-800-366-PART 6 a.m. – 11 p.m., 7 days a week
(1-800-366-7278) (U.S.A. only)
www.sears.com/partsdirect

To purchase or inquire about a Sears Service Agreement
or Sears Maintenance Agreement:

1-800-827-6655 (U.S.A.) **1-800-361-6665** (Canada)
7 a.m. – 5 p.m., CST, Mon. – Sat. 9 a.m. – 8 p.m. EST, M – F, 4 p.m. Sat.

Para pedir servicio de reparación a
domicilio, y para ordenar piezas:
1-888-SU-HOGARSM
(1-888-784-6427)

Au Canada pour service en français:
1-800-LE-FOYER^{MC}
(1-800-533-6937)
www.sears.ca

SEARS
HomeCentral®