

Washer Installation Instructions

Instructions pour l'installation de la laveuse

Table of Contents

WASHER SAFETY 1

INSTALLATION REQUIREMENTS.....2

 Tools and Parts.....2

 Location Requirements2

 Drain System3

 Electrical Requirements4

INSTALLATION INSTRUCTIONS.....4

 Before you start: Remove shipping materials4

 Connect Drain Hose.....5

 Connect Inlet Hoses.....6

 Level Washer7

COMPLETE INSTALLATION CHECKLIST 8

Table des matières

SÉCURITÉ DE LA LAVEUSE9

EXIGENCES D'INSTALLATION9

 Outillage et pièces9

 Exigences d'emplacement10

 Système d'évacuation.....10

 Spécifications électriques.....11

INSTRUCTIONS D'INSTALLATION12

 Avant de commencer : retrait du matériel d'expédition .13

 Raccordement du tuyau de vidange.....14

 Raccordement des tuyaux d'arrivée d'eau15

 Établissement de l'aplomb de la laveuse.....15

ACHEVER L'INSTALLATION - LISTE DE VÉRIFICATION 16

INSTALLATION NOTES

Date of purchase: _____

Date of installation: _____

Installer: _____

Model number: _____

Serial number: _____

NOTES CONCERNANT L'INSTALLATION

Date d'achat : _____

Date d'installation : _____

Installateur : _____

Numéro de modèle : _____

Numéro de série : _____

Para obtener acceso al "Instrucciones de installation" en español, o para obtener información adicional acerca de su producto, visite:

www.whirlpool.com

Tenga listo su número de modelo completo. Puede encontrar el número de modelo y de serie dentro de la cavidad superior de la puerta.

WASHER SAFETY

Your safety and the safety of others are very important.

We have provided many important safety messages in this manual and on your appliance. Always read and obey all safety messages.



This is the safety alert symbol.

This symbol alerts you to potential hazards that can kill or hurt you and others.

All safety messages will follow the safety alert symbol and either the word "DANGER" or "WARNING."

These words mean:

⚠ DANGER

You can be killed or seriously injured if you don't immediately follow instructions.

⚠ WARNING

You can be killed or seriously injured if you don't follow instructions.

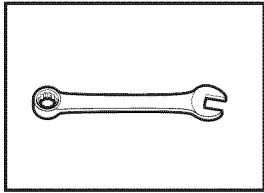
All safety messages will tell you what the potential hazard is, tell you how to reduce the chance of injury, and tell you what can happen if the instructions are not followed.

INSTALLATION REQUIREMENTS

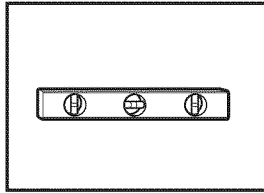
TOOLS AND PARTS

Gather required tools and parts before starting installation.

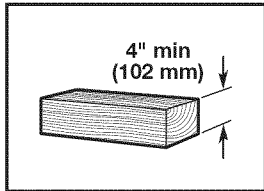
Tools needed:



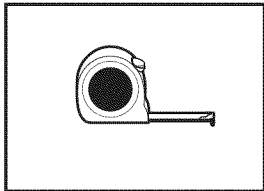
Adjustable or open end wrench $\frac{9}{16}$ " (14 mm)



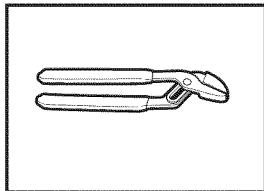
Level



Wood block

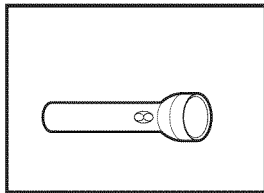


Ruler or measuring tape

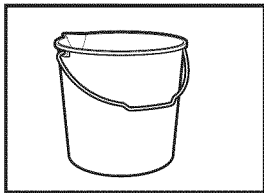


Pliers that open to $1\frac{1}{16}$ " (39.5 mm)

Optional tools:



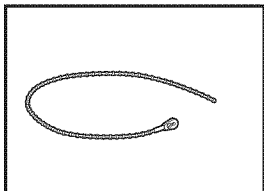
Flashlight



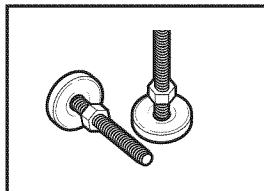
Bucket

Parts supplied:

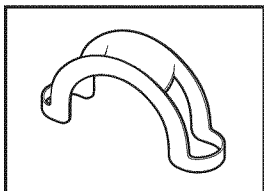
NOTE: All parts supplied for installation are in washer basket.



Removable tie strap

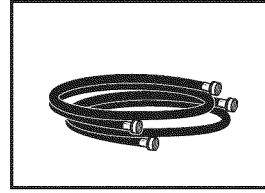


Front leveling feet with jam nuts (2)



Drain hose form

Parts needed: (Not supplied with washer)



Inlet hoses with flat washers

To order, please refer to the phone number or website on back page of your "Use and Care Guide".

- 8212656RP 10 ft. (3.0 m) Inlet hose, Black EPDM (2 pack)
- 8212641RP 5 ft. (1.5 m) Inlet hose, Black EPDM (2 pack)
- 8212646RP 4 ft. (1.2 m) Inlet hose, Black EPDM (2 pack)
- 8212545RP 5 ft. (1.5 m) Inlet hose, Red and Blue EPDM (2 pack)
- 8212487RP 5 ft. (1.5 m) Nylon braided inlet hose (2 pack)
- 8212638RP 6 ft. (1.8 m) Nylon braided inlet hose, space saving 90° elbow, hydro-blue steel couplings (2 pack)
- 8212637RP 6 ft. (1.8 m) Inlet hose, Black EPDM, space saving 90° elbow, hydro-blue steel couplings (2 pack)

Alternate parts: (Not supplied with washer)

Your installation may require additional parts. To order, please refer to the phone number or website on the back page of your "Use and Care Guide".

If you have:

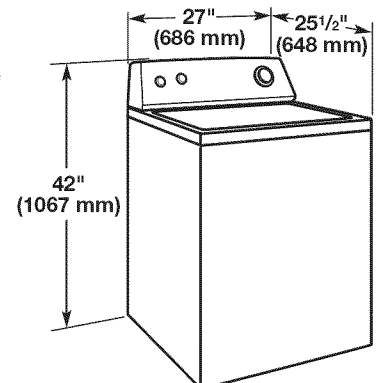
- Overhead sewer
- Short drain hose
- 1" (25 mm) diameter standpipe
- Lint clogged drain
- Floor drain

You will need:

- Standard 20 gal. (76 L) 39" (991 mm) tall drain tub or utility sink, sump pump, and connectors (available from local suppliers)
- Drain Extension Kit Part Number 49022
- 2" (51 mm) diameter to 1" (25 mm) diameter Standpipe Adapter Kit, Part Number 40923
- Connector Kit, Part Number 285835
- Drain protector, Part Number 376031
- Siphon Break Kit, Part Number 280129A
- Drain Hose, Part Number 285702
- Connector Kit, Part Number 285835

LOCATION REQUIREMENTS

Select proper location for your washer to improve performance and minimize noise and possible "washer walk". Install your washer in a basement, laundry room, closet, or recessed area.

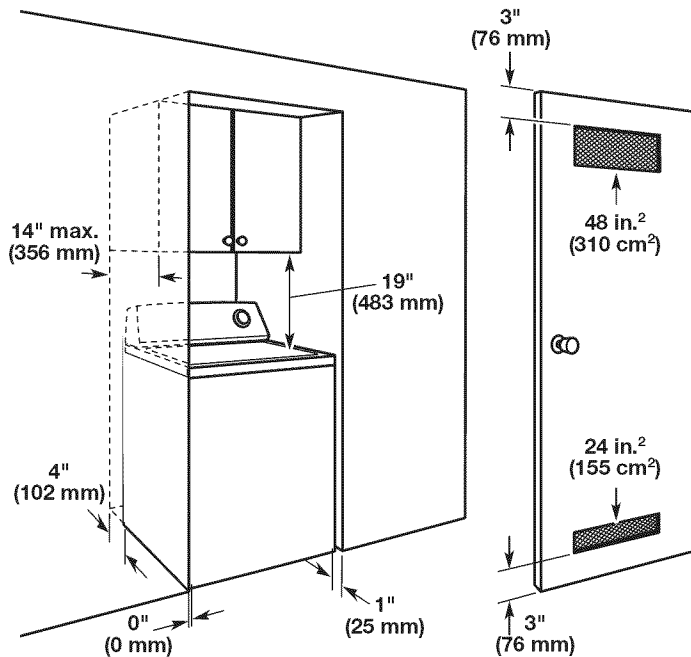


You will need:

- A water heater set to 120° F (49° C).
- A grounded electrical outlet located within 4 ft. (0.9 m) of power cord on back of washer.
- Hot and cold water faucets located within 3 ft. (0.9 m) of hot and cold water fill valves on washer, and water pressure of 5-100 psi (34.5-690 kPa).
- A level floor with maximum slope of 1" (25 mm) under entire washer. Installing on carpet is not recommended.
- Floor must support washer's total weight (with water and load) of 315 lbs (143 kgs).

IMPORTANT: Do not install, store, or operate washer where it will be exposed to weather or in temperatures below 32° F (0° C). Water remaining in washer after use may cause damage in low temperatures. See "Washer Care" in your "Use and Care Guide". Proper installation is your responsibility.

Recessed area or closet installation



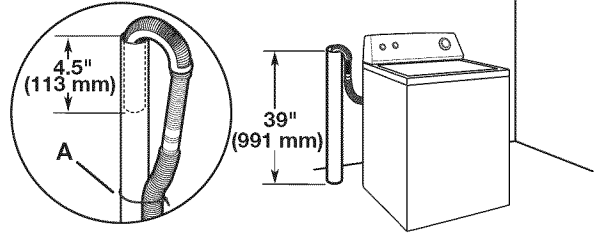
Dimensions show recommended spacing allowed, except for closet door ventilation openings which are minimum required. Consider allowing more space for ease of installation and servicing, spacing for companion appliances and clearances for walls, doors, and floor moldings. Add spacing of 1" (25 mm) on all sides of washer to reduce noise transfer. If a closet door or louvered door is installed, top and bottom air openings in door are required.

DRAIN SYSTEM

Drain system can be installed using a floor drain, wall standpipe, floor standpipe, or laundry tub. Select method you need.

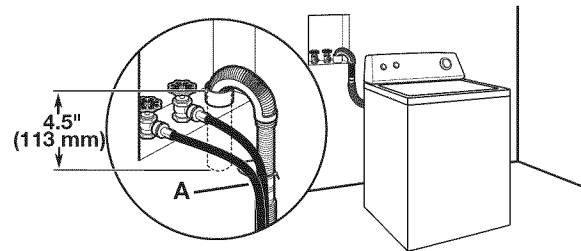
IMPORTANT: To avoid siphoning, no more than 4.5" (113 mm) of drain hose should be inside standpipe or below the top of wash tub. Secure drain hose with removable tie strap (A).

Floor standpipe drain system



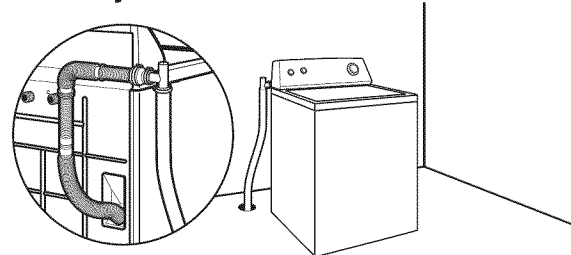
Minimum diameter for a standpipe drain: 2" (51 mm). Minimum carry-away capacity: 17 gal. (64 L) per minute. Some standpipes may require a Standpipe Adapter Kit and additional drain hose that may be purchased separately. See "Tools and Parts". Top of standpipe must be at least 39" (991 mm) high; install no higher than 96" (2.4 m) from bottom of washer. Installations higher than 96" (2.4 m) require a sump pump system.

Wall standpipe drain system



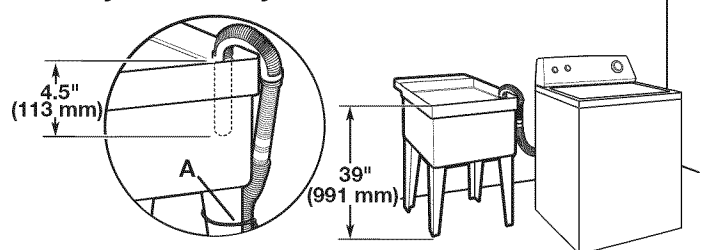
See requirements for floor standpipe drain system.

Floor drain system



Floor drain system requires a Siphon Break Kit and additional drain hose that may be purchased separately. See "Tools and Parts". Minimum siphon break: 28" (711 mm) from bottom of washer. (Additional hoses might be needed.)

Laundry tub drain system



Minimum capacity: 20 gal. (76 L). Top of laundry tub must be at least 39" (991 mm) above floor; install no higher than 96" (2.4 m) from bottom of washer.



ELECTRICAL REQUIREMENTS

⚠ WARNING



Electrical Shock Hazard

Plug into a grounded 3 prong outlet.

Do not remove ground prong.

Do not use an adapter.

Do not use an extension cord.

Failure to follow these instructions can result in death, fire, or electrical shock.

- A 120 volt, 60 Hz., AC only, 15- or 20-amp, fused electrical supply is required. A time-delay fuse or circuit breaker on a separate circuit serving only this washer is recommended.
- This washer is equipped with a power supply cord having a 3 prong grounding plug.
- To minimize possible shock hazard, the cord must be plugged into a mating, 3 prong, grounding-type outlet, grounded in accordance with local codes and ordinances. If a mating outlet is not available, it is the personal responsibility and obligation of the customer to have the properly grounded outlet installed by a qualified electrician.
- If codes permit and a separate ground wire is used, it is recommended that a qualified electrician determine that the ground path is adequate.
- Check with a qualified electrician if you are not sure the washer is properly grounded.

GROUNDING INSTRUCTIONS

For a grounded, cord-connected washer:

This washer must be grounded. In the event of a malfunction or breakdown, grounding will reduce the risk of electrical shock by providing a path of least resistance for electric current. This washer is equipped with a cord having an equipment-grounding conductor and a grounding plug. The plug must be plugged into an appropriate outlet that is properly installed and grounded in accordance with all local codes and ordinances.

WARNING: Improper connection of the equipment-grounding conductor can result in a risk of electric shock. Check with a qualified electrician or serviceman if you are in doubt as to whether the appliance is properly grounded.

Do not modify the plug provided with the appliance – if it will not fit the outlet, have a proper outlet installed by a qualified electrician.

For a permanently connected washer:

This washer must be connected to a grounded metal, permanent wiring system, or an equipment grounding conductor must be run with the circuit conductors and connected to the equipment-grounding terminal or lead on the appliance.

INSTALLATION INSTRUCTIONS

⚠ WARNING

Excessive Weight Hazard

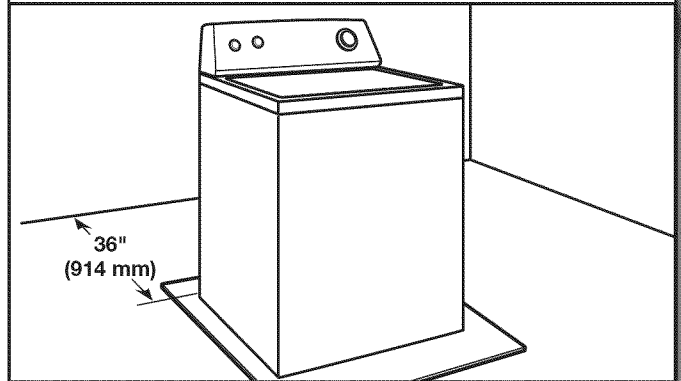
Use two or more people to move and install washer.

Failure to do so can result in back or other injury.

Before you start: remove shipping materials

It is necessary to remove all shipping materials for proper operation and to avoid excessive noise from washer.

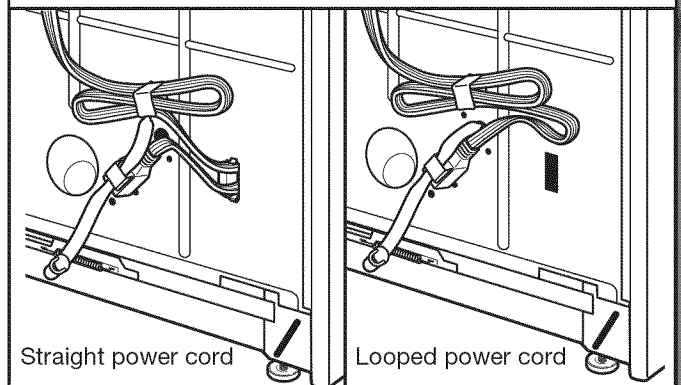
1. Move washer



Move washer to within 3 ft (914 mm) of its final location; it must be in a fully upright position.

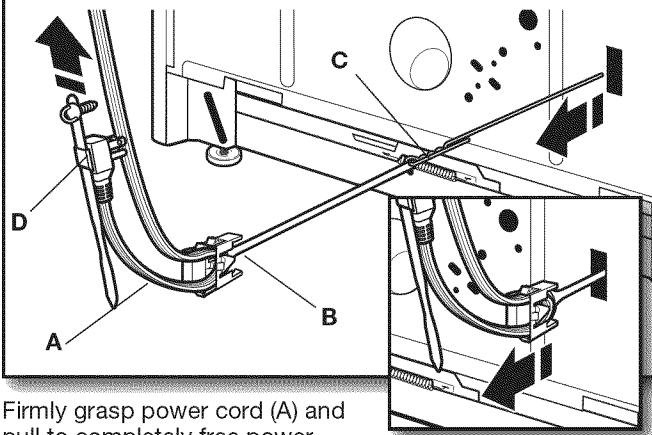
NOTE: To avoid floor damage, set washer onto cardboard before moving it.

2. Locate shipping materials



Locate yellow shipping materials on back of washer, near bottom. If it is a straight power cord and cord restraint, follow steps 3 & 4 then continue to step 6; if power cord is looped, skip to step 5.

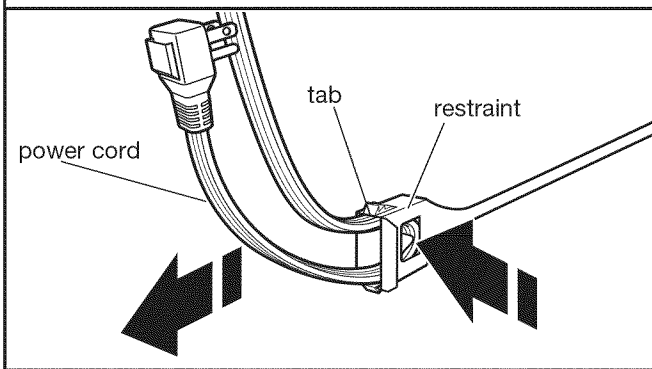
3. Remove straight power cord and cord restraint



Firmly grasp power cord (A) and pull to completely free power cord, cord restraint (B), and pin (C) from rear panel. Pull cord restraint strap (D) out of plug.

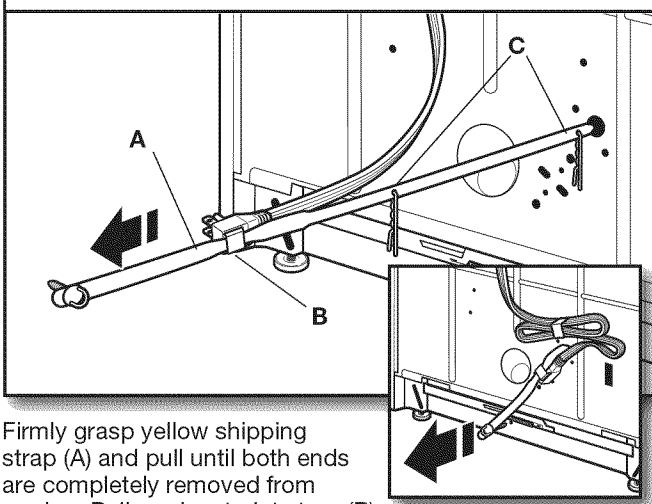
NOTE: Remove cotter pin if it did not come free with strap.

4. Remove restraint from power cord



To remove restraint from power cord: push power cord in, press tab, and then pull power cord out.

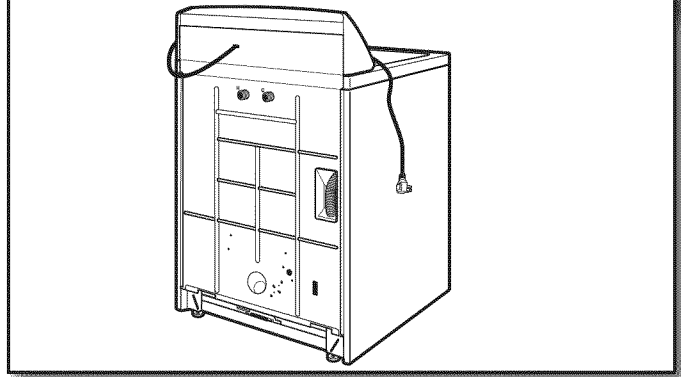
5. Remove looped power cord



Firmly grasp yellow shipping strap (A) and pull until both ends are completely removed from washer. Pull cord restraint strap (B) out of plug.

NOTE: Check that two (2) cotter pins (C) came off with strap.

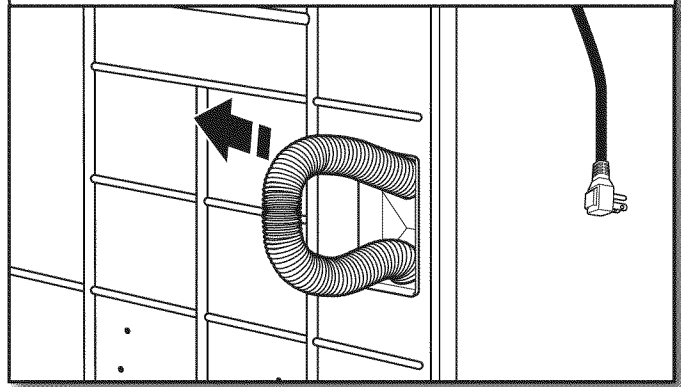
6. Place power cord over console



Gently place power cord over console to allow free access to back of washer.

CONNECT DRAIN HOSE

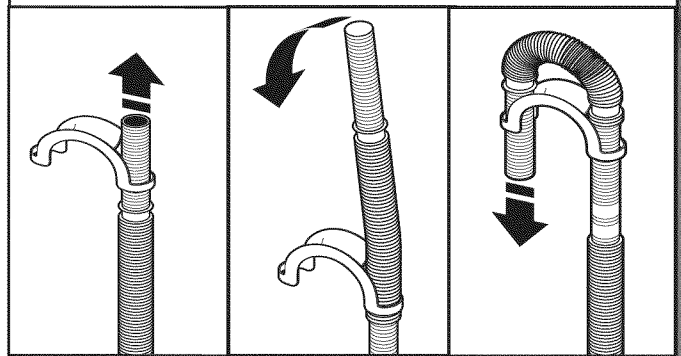
7. Remove drain hose from washer cabinet



Gently pull hose out of back of washer cabinet from top until end emerges.

IMPORTANT: Do not force excess drain hose back into rear of washer.

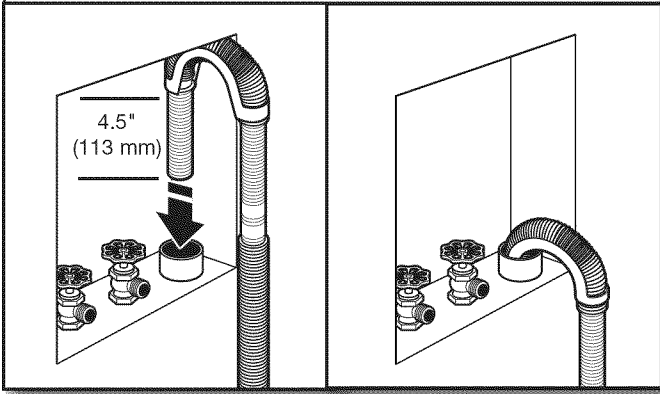
8. Connect drain hose form



For a laundry tub or standpipe drain, follow steps 8 and 9. For a floor drain, do not install drain hose form. You may need alternate parts with separate directions. See "Tools and Parts" to determine what you may need.

Feed hose into one end of form. Bend hose and feed through other side, anchoring form on smooth sections of hose.

9. Place drain hose in standpipe



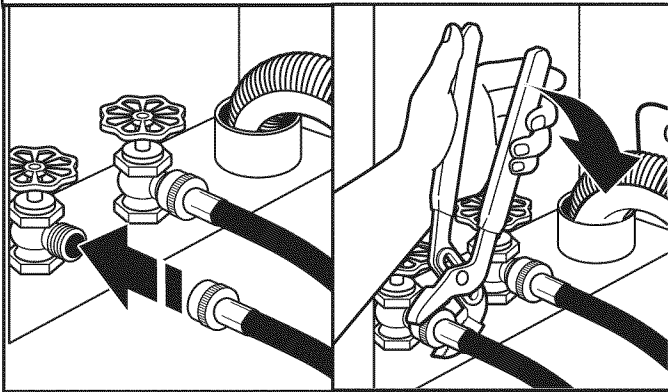
Place hose into standpipe (shown in picture) or over side of laundry tub.

IMPORTANT: No more than 4.5" (113 mm) of drain hose should be inside standpipe; do not force excess hose into standpipe or lay on bottom of laundry tub. Drain hose form must be used.

CONNECT INLET HOSES

IMPORTANT: Check that your water inlet hoses have flat washers at both ends. Washer must be connected to water faucets with new inlet hoses with flat washers (not provided). Do not use old hoses. Do not use hoses without washers.

10. Connect inlet hoses to water faucets

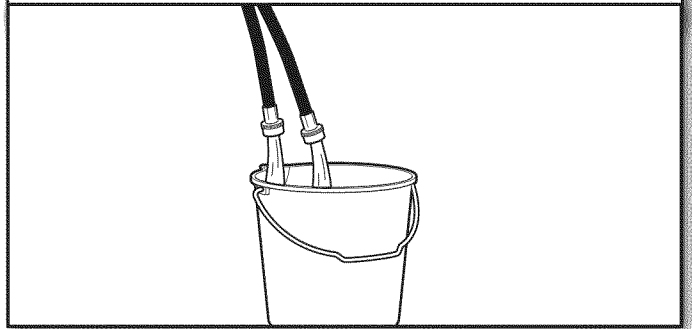


Attach hose to hot water faucet. Screw on coupling by hand until it is seated on washer. Use pliers to tighten couplings an additional two-thirds turn. Repeat this step with second hose for cold water faucet.

IMPORTANT: Do not overtighten or use tape or sealants on valve when attaching to faucets or washer. Damage can result.

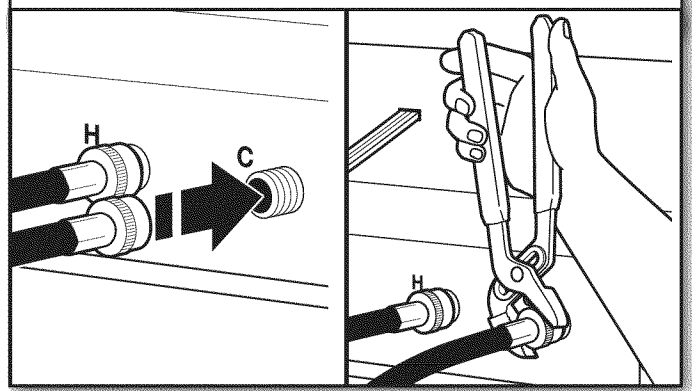
HELPFUL TIP: Make note of which hose is connected to hot water to help in attaching hoses to washer correctly.

11. Clear water lines



Run water for a few seconds through hoses into a laundry tub, drainpipe, or bucket to prevent clogs. Water should run until clear.

12. Connect inlet hoses to washer



Attach hot water hose to hot water inlet valve. Screw coupling by hand until it is snug. Use pliers to tighten couplings an additional two-thirds turn. Repeat with cold water inlet valve.

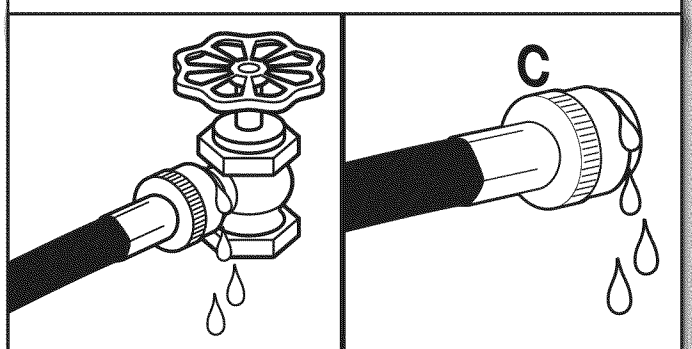
IMPORTANT: Do not overtighten or use tape or sealants on valve when attaching to faucets or washer. Damage can result.

IMPORTANT: To reduce risk of hose failure, replace the hoses every 5 years. Record hose installation or replacement dates for future reference.

■ Periodically inspect and replace hoses if bulges, kinks, cuts, wear, or leaks are found.

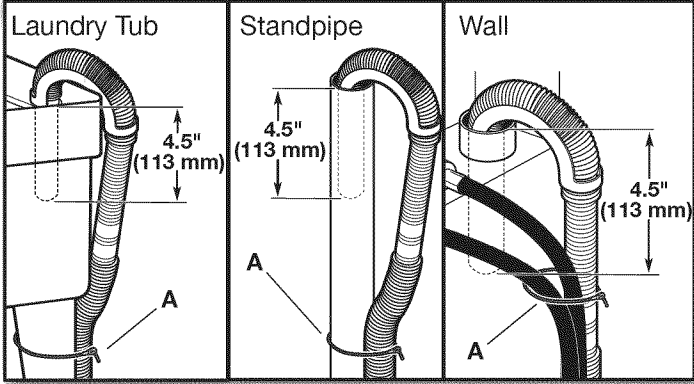
NOTE: Inlet valves may be arranged vertically or horizontally depending on your model.

13. Check for leaks



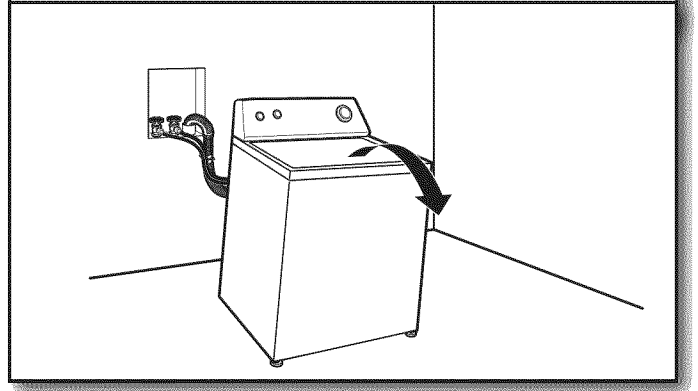
Turn on water faucets to check for leaks from faucet and at washer connection. A small amount of water may enter washer. This is normal; it will drain later.

14. Secure drain hose



Secure drain hose to laundry tub leg, drain standpipe, or inlet hoses for wall standpipe with removable tie strap (A). This will help reduce the chance of drain water splashing on the floor.

17. Engage rear leveling feet

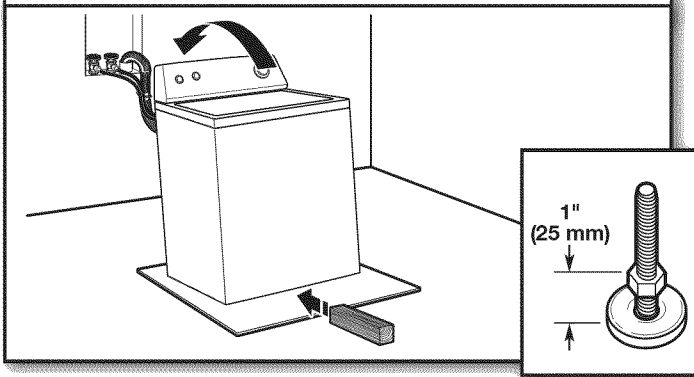


Tilt washer forward; self-adjusting rear feet will click into place. Gently lower washer to floor.

LEVEL WASHER

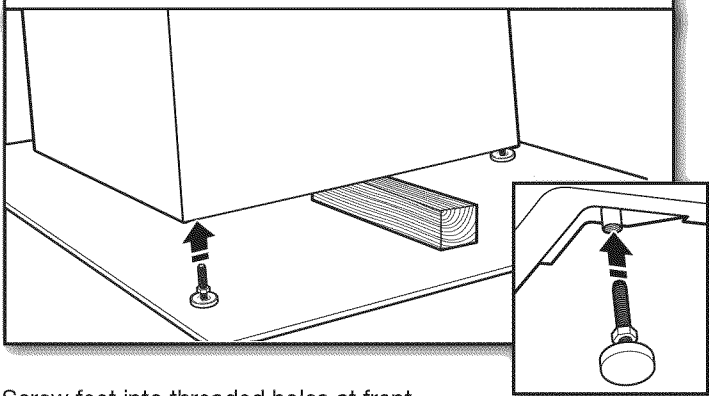
IMPORTANT: Leveling your washer properly reduces excess noise and vibration.

15. Prepare to install leveling feet



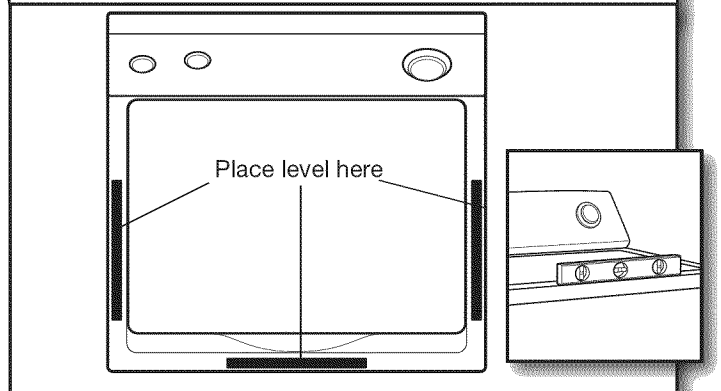
Prop up front of washer about 4" (102 mm) with a wood block or similar object that will support weight of washer. Then screw jam nut onto each foot to within 1" (25 mm) of foot base.

16. Install front leveling feet

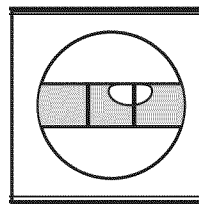


Screw feet into threaded holes at front corners of washer until jam nuts touch washer, but are not tight. Tilt washer back, remove wood block. Gently lower washer to floor and slide washer to its final location. Remove cardboard used to protect floor.

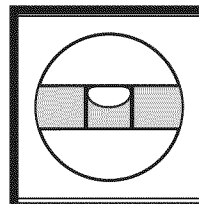
18. Check levelness of washer



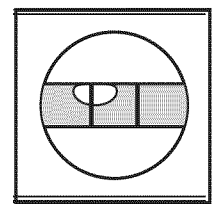
Place a level on top edges of washer, checking each side and front. Rock washer back and forth to make sure all four feet make solid contact with floor. If not level, tip washer and adjust feet up or down, repeating as necessary.



Not Level

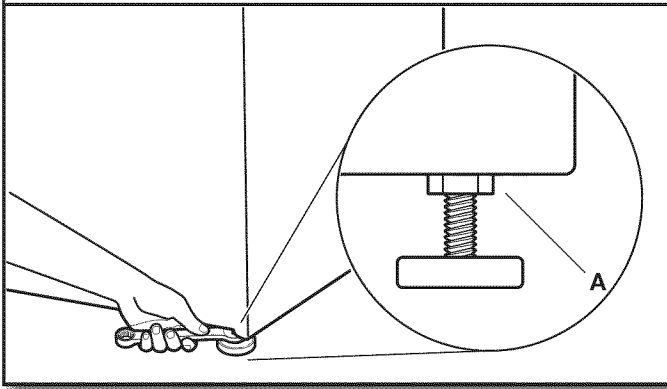


LEVEL



Not Level

19. Tighten leveling feet



When washer is level, hold the leveling foot to keep it from turning and use a 9/16" or 14 mm open-end or adjustable wrench to tighten jam nut (A) counterclockwise on foot securely against washer cabinet.

HELPFUL TIP: You may want to prop washer again with wooden block, then make sure to recheck for levelness.

⚠ WARNING



Electrical Shock Hazard

Plug into a grounded 3 prong outlet.

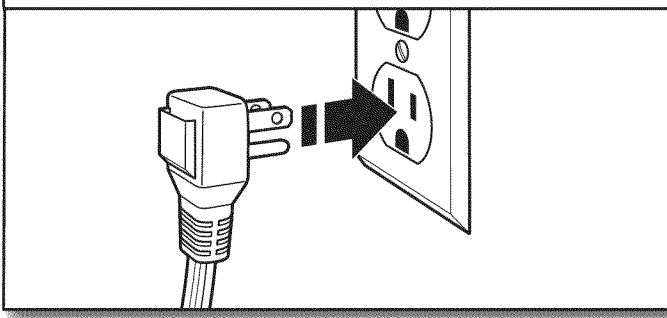
Do not remove ground prong.

Do not use an adapter.

Do not use an extension cord.

Failure to follow these instructions can result in death, fire, or electrical shock.

20. Plug into a grounded 3 prong outlet



COMPLETE INSTALLATION CHECKLIST

- Check electrical requirements. Be sure you have correct electrical supply and recommended grounding method.
- Check that all parts are now installed. If there is an extra part, go back through steps to see what was skipped.
- Check that you have all of your tools.
- Check that yellow shipping materials were completely removed from back of washer.
- Check that both water faucets are on.
- Check for leaks around faucets and inlet hoses.
- Remove film from console and any tape remaining on washer.
- Check that washer is plugged into a grounded 3 prong outlet.
- Dispose of/recycle all packaging materials.
- Read "Washer Use" in your "Use and Care Guide".
- To test and clean your washer, measure 1/2 of normal recommended amount of powdered or liquid detergent and pour it into washer basket or detergent dispenser (on some models). Close lid. Select any cycle. Start washer and allow to complete full cycle.

SÉCURITÉ DE LA LAVEUSE

Votre sécurité et celle des autres est très importante.

Nous donnons de nombreux messages de sécurité importants dans ce manuel et sur votre appareil ménager. Assurez-vous de toujours lire tous les messages de sécurité et de vous y conformer.



Voici le symbole d'alerte de sécurité.

Ce symbole d'alerte de sécurité vous signale les dangers potentiels de décès et de blessures graves à vous et à d'autres.

Tous les messages de sécurité suivront le symbole d'alerte de sécurité et le mot "DANGER" ou "AVERTISSEMENT". Ces mots signifient :

⚠ DANGER

Risque possible de décès ou de blessure grave si vous ne suivez pas immédiatement les instructions.

⚠ AVERTISSEMENT

Risque possible de décès ou de blessure grave si vous ne suivez pas les instructions.

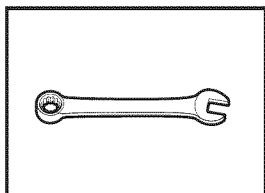
Tous les messages de sécurité vous diront quel est le danger potentiel et vous disent comment réduire le risque de blessure et ce qui peut se produire en cas de non-respect des instructions.

EXIGENCES D'INSTALLATION

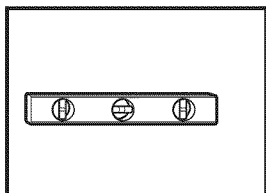
OUTILLAGE ET PIÈCES

Rassembler les outils et pièces nécessaires avant de commencer l'installation.

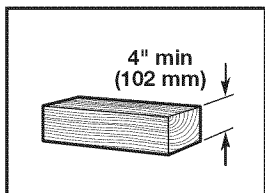
Outillage nécessaire :



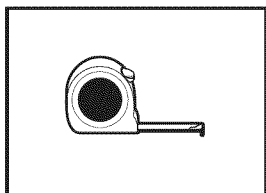
Clé plate ou réglable de $\frac{9}{16}$ " (14 mm)



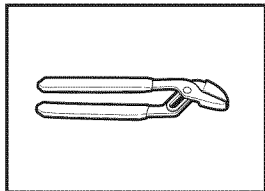
Niveau



Cale en bois

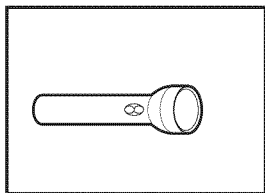


Règle ou mètre ruban

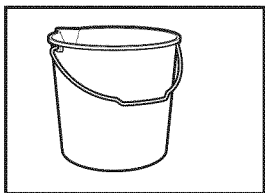


Pince avec ouverture jusqu'à $1\frac{9}{16}$ " (39,5 mm)

Outillage facultatif :



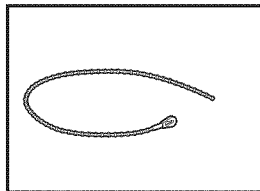
Lampe de poche



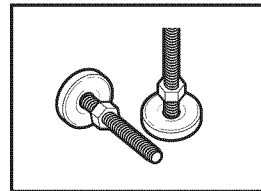
Seau

Pièces fournies :

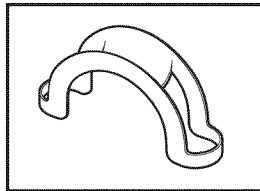
REMARQUE : Toutes les pièces fournies pour l'installation se trouvent dans le panier de la laveuse.



Attache de fixation amovible

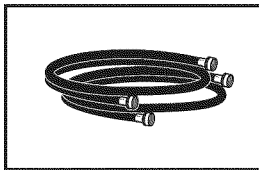


Pieds de nivellement avant avec contre-écrous (2)



Bride de retenue pour tuyau de vidange

Pièces nécessaires : (Non fournies avec la laveuse)



Tuyaux d'arrivée d'eau avec rondelles plates

Pour commander, consulter les numéros d'appel sans frais figurant sur la couverture arrière des Instructions d'utilisation de la laveuse.

- 8212656RP Tuyau d'arrivée d'eau de 10 pi (3 m), EPDM noirs (lot de 2)
- 8212641RP Tuyau d'arrivée d'eau de 5 pi (1,5 m), EPDM noirs (lot de 2)
- 8212646RP Tuyau d'arrivée d'eau de 4 pi (1,2 m), EPDM noirs (lot de 2)
- 8212545RP Tuyau d'arrivée d'eau de 5 pi (1,5 m), EPDM rouge et bleu (lot de 2)
- 8212487RP Tuyau d'arrivée en nylon tressé de 5 pi (1,5 m) (lot de 2)
- 8212638RP Tuyau d'arrivée en nylon tressé de 6 pi (1,8 m), coude compact de 90°, raccords hypro-bleu en acier (lot de 2)
- 8212637RP Tuyau d'arrivée de 6 pi (1,8 m), EPDM noir, coude compact de 90°, raccords hypro-bleu en acier (lot de 2)

Autres pièces : (Non fournies avec la laveuse)

Il se peut que l'installation nécessite des pièces supplémentaires. Pour commander, consulter les numéros d'appel sans frais figurant sur la couverture arrière des Instructions d'utilisation de la laveuse.

Si vous avez :

Un égout surélevé

Un tuyau de vidange trop court

Un tuyau rigide de rejet à l'égout de 1" (25 mm) de diamètre

Le système d'évacuation obstrué par de la charpie

Un tuyau d'évacuation au plancher

Il vous faudra :

Tuyau de vidange standard de 20 gal. (76 L) de 39" (991 mm) de haut ou évier de décharge, pompe de puisard et connecteurs (disponibles chez les vendeurs de matériel de plomberie locaux)

Ensemble de raccord de tuyau d'évacuation – N° de pièce 49022

Un ensemble d'adaptateur de 2" (51 mm) à 1" (25 mm) de diamètre pour le tuyau rigide de rejet à l'égout, N° de pièce 40923
Ensemble de raccord, N° de pièce 285835

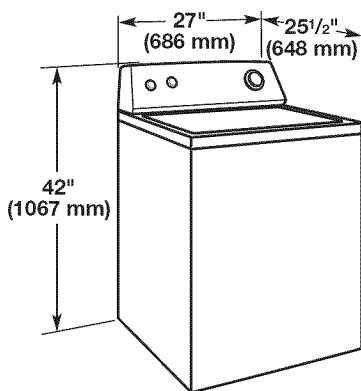
Protecteur de canalisation, N° de pièce 376031

Ensemble de brise-siphon, N° de pièce 280129A

Tuyau d'évacuation, N° de pièce 285702
Ensemble de raccord, N° de pièce 285835

EXIGENCES D'EMPLACEMENT

Le choix d'un emplacement approprié pour la laveuse en améliore le rendement et réduit au minimum le bruit et le "déplacement" possible de la laveuse. La laveuse peut être installée dans un sous-sol, une salle de buanderie, un placard ou un encastrement.



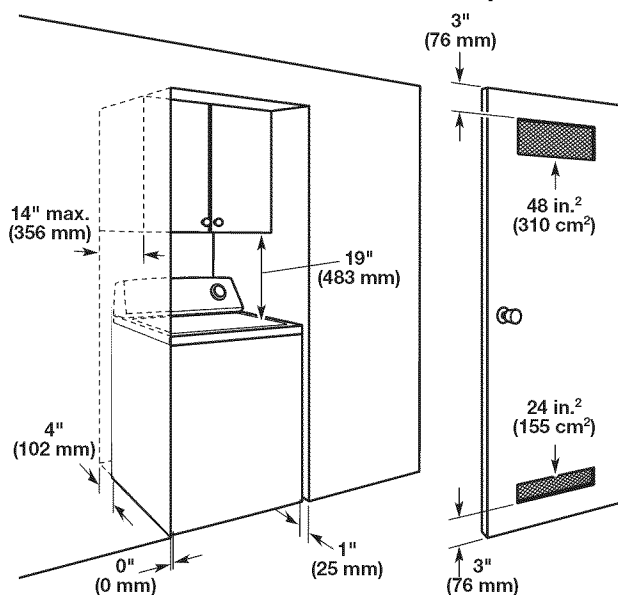
Il vous faudra :

- Un chauffe-eau réglé à 120° F (49° C).
- Une prise électrique reliée à la terre et située à moins de 4 pi (0,9 m) du cordon d'alimentation situé à l'arrière de la laveuse.
- Des robinets d'eau chaude et d'eau froide situés à moins de 3 pi (0,9 m) des électrovannes de remplissage d'eau chaude et d'eau froide situées sur la laveuse et une pression d'eau de 5-100 lb/po² (34,5 à 690 kPa).
- Un plancher de niveau avec une pente maximale de 1" (25 mm) sous l'ensemble de la laveuse. L'installation sur de la moquette n'est pas recommandée.
- Un plancher capable de supporter le poids total de 315 lb (143 kg) de la laveuse (eau et charge compris).

IMPORTANT : Ne pas installer, remiser ou faire fonctionner la laveuse à un emplacement où elle sera exposée aux intempéries ou à des températures inférieures à 32° F (0° C). De l'eau restée dans la laveuse après utilisation peut causer des dommages à basse température. Voir "Entretien de la laveuse" dans les Instructions d'utilisation de la laveuse pour des renseignements sur l'hivernisation.

C'est à l'utilisateur qu'incombe la responsabilité de réaliser une installation correcte.

Installation dans un encastrement ou un placard



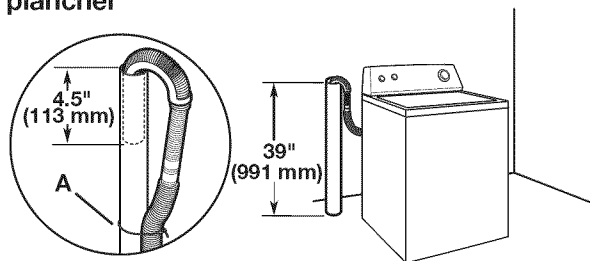
Les dimensions représentent les dégagements recommandés permis, hormis pour les ouvertures de ventilation de la porte du placard qui correspondent aux dimensions minimales nécessaires. On peut éventuellement laisser davantage de dégagement pour faciliter l'installation et l'entretien, des distances de séparation pour les appareils ménagers voisins et des dégagements pour les murs, portes et plinthes. Ajouter un espace supplémentaire de 1" (25 mm) de tous les côtés de la laveuse pour réduire le transfert de bruit. Si l'on installe une porte de placard ou une porte à persiennes, des ouvertures d'aération au sommet et au bas de la porte sont nécessaires.

SYSTÈME DE VIDANGE

Le système de vidange de la laveuse peut être installé à l'aide d'un conduit d'évacuation au plancher, un tuyau de rejet à l'égout au plancher ou mural ou un évier de buanderie. Sélectionner la méthode à utiliser.

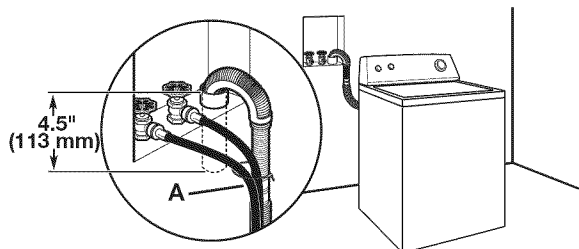
IMPORTANT: Pour éviter un effet de siphon, ne pas introduire plus de 4.5" (113 mm) de tuyau de vidange à l'intérieur du tuyau de rejet à l'égout ou sous la partie supérieure de la cuve de lavage. Immobiliser le tuyau de vidange avec l'attache de fixation amovible (A).

Système de vidange avec tuyau de rejet à l'égout au plancher



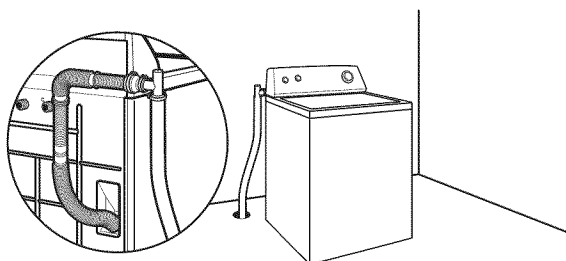
Diamètre minimal pour un tuyau de rejet à l'égout : 2" (51 mm). Capacité minimale d'acheminement : 17 gal. (64 L) par minute. Certains tuyaux rigides de rejet à l'égout peuvent nécessiter un ensemble d'adaptateur pour tuyau rigide de rejet à l'égout et un tuyau d'évacuation supplémentaire qui peuvent être achetés séparément. Voir "Outillage et pièces". Le sommet du tuyau de rejet à l'égout doit avoir une hauteur d'au moins 39" (991 mm); ne pas l'installer à plus de 96" (2,4 m) du fond de la laveuse. Si on doit l'installer à plus de 96" (2,4 m) de hauteur, un système de pompe de puisard est nécessaire.

Système de vidange avec tuyau de rejet à l'égout mural



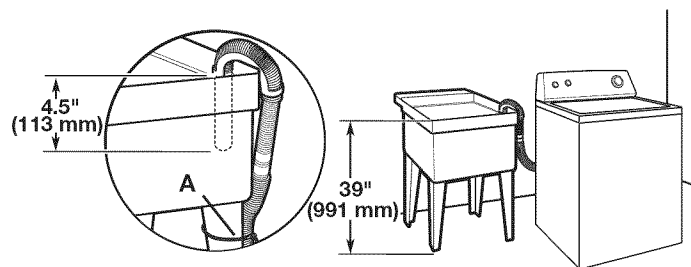
Voir les exigences pour le système de vidange avec tuyau de rejet à l'égout au plancher.

Système de vidange au plancher



Le système de vidange au plancher nécessite un ensemble de brise-siphon et un tuyau de vidange supplémentaire qui peuvent être achetés séparément. Voir "Outillage et pièces". Dimension minimale pour le brise-siphon : 28" (711 mm) à partir du fond de la laveuse. (Des tuyaux supplémentaires peuvent être requis).

Système de vidange dans un évier de buanderie



Capacité minimale : 20 gal. (76 L). Le sommet de l'évier de buanderie doit se trouver à au moins 39" (991 mm) du plancher; ne pas l'installer à plus de 96" (2,4 m) du fond de la laveuse.

SPÉCIFICATIONS ÉLECTRIQUES

⚠ AVERTISSEMENT



Risque de choc électrique

Brancher sur une prise à 3 alvéoles reliée à la terre.

Ne pas enlever la broche de liaison à la terre.

Ne pas utiliser un adaptateur.

Ne pas utiliser un câble de rallonge.

Le non-respect de ces instructions peut causer un décès, un incendie ou un choc électrique.

- Une alimentation de 120 volts, 60 Hz, CA seulement, de 15 ou 20 ampères, protégée par un fusible est requise. Une alimentation de 120 volts, 60 Hz, CA seulement, de 15 ou 20 ampères, protégée par un fusible est requise. On recommande l'emploi d'un fusible ou d'un disjoncteur temporisé. Il est recommandé de raccorder la laveuse sur un circuit distinct exclusif à cette laveuse.
- Cette laveuse comporte un cordon d'alimentation électrique à trois broches pour liaison à la terre.
- Pour minimiser les risques de choc électrique, on doit brancher le cordon sur une prise de courant de configuration correspondante, à 3 alvéoles, reliée à la terre et installée conformément aux codes et règlements locaux. Si une prise de courant de configuration correspondante n'est pas disponible, le client a la responsabilité et l'obligation de faire installer par un électricien qualifié une prise de courant correctement reliée à la terre.
- Si les codes le permettent et si l'on utilise un conducteur distinct de liaison à la terre, il est recommandé qu'un électricien qualifié vérifie la qualité de la liaison à la terre.
- En cas de doute quant à la qualité de la liaison à la terre de la laveuse, consulter un électricien qualifié.

INSTRUCTIONS DE LIAISON À LA TERRE

Pour une laveuse reliée à la terre et connectée par un cordon :

Cette laveuse doit être reliée à la terre. En cas d'anomalie de fonctionnement ou de panne, la liaison à la terre réduira le risque de choc électrique en offrant au courant électrique un itinéraire d'évacuation de moindre résistance. Cette laveuse est alimentée par un cordon électrique comportant un conducteur relié à la terre et une fiche de branchement munie d'une broche de liaison à la terre. La fiche doit être branchée sur une prise de courant appropriée qui est bien installée et reliée à la terre conformément à tous les codes et règlements locaux.

AVERTISSEMENT : Le raccordement incorrect de cet appareil au conducteur de liaison à la terre peut susciter un risque de choc électrique. En cas de doute quant à la qualité de la liaison à la terre de l'appareil, consulter un électricien ou technicien d'entretien qualifié.

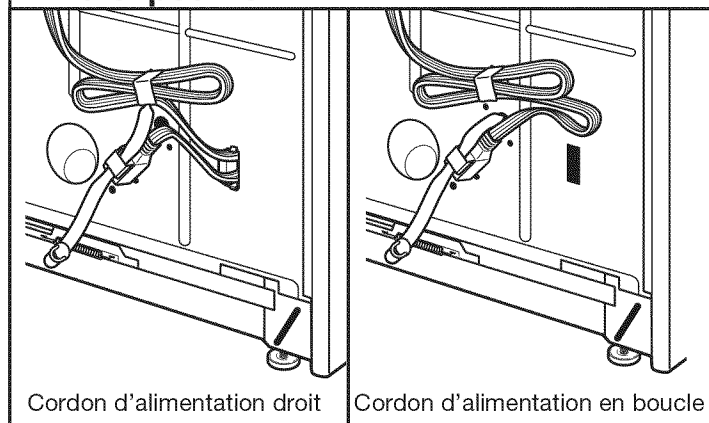
Ne pas modifier la fiche de branchement fournie avec l'appareil – si la fiche ne correspond pas à la configuration de la prise de courant, demander à un électricien qualifié d'installer une prise de courant convenable.

Pour une laveuse raccordée en permanence :

Cette laveuse doit être raccordée à un système de câblage permanent en métal relié à la terre ou un conducteur relié à la terre doit être en fonction avec les conducteurs de circuit et raccordés à la borne de liaison à la terre ou la borne sur l'appareil ménager.

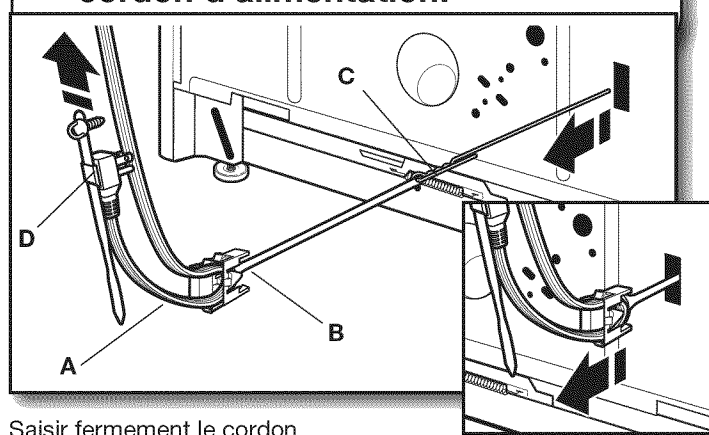
REMARQUE : Pour éviter d'endommager le plancher, installer la laveuse sur un carton avant de la déplacer.

2. Repérer l'emplacement du matériel d'expédition



Repérer l'emplacement du matériel d'expédition jaune situé à l'arrière de la laveuse, près du fond. S'il s'agit d'un cordon d'alimentation droit et d'un dispositif d'immobilisation du cordon d'alimentation, suivre les étapes 3 et 4, puis passer à l'étape 6; s'il s'agit d'un cordon d'alimentation en boucle, passer à l'étape 5.

3. Ôter le cordon d'alimentation droit et le dispositif d'immobilisation du cordon d'alimentation.



Saisir fermement le cordon d'alimentation (A) et tirer pour le dégager complètement ainsi que le dispositif d'immobilisation (B) et la broche (C) du panneau arrière. Ôter l'attache de retenue du cordon d'alimentation (D) hors de la prise.

REMARQUE : Ôter la goupille si elle n'a pas été dégagée en même temps que l'attache.

INSTRUCTIONS D'INSTALLATION

⚠ AVERTISSEMENT

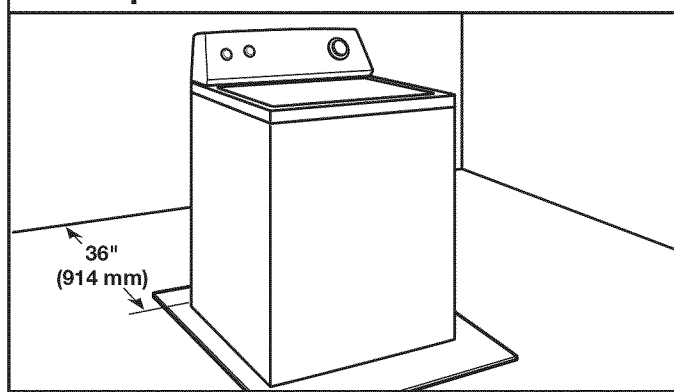
Risque du poids excessif

Utiliser deux ou plus de personnes pour déplacer et installer la laveuse.

Le non-respect de cette instruction peut causer une blessure au dos ou d'autre blessure.

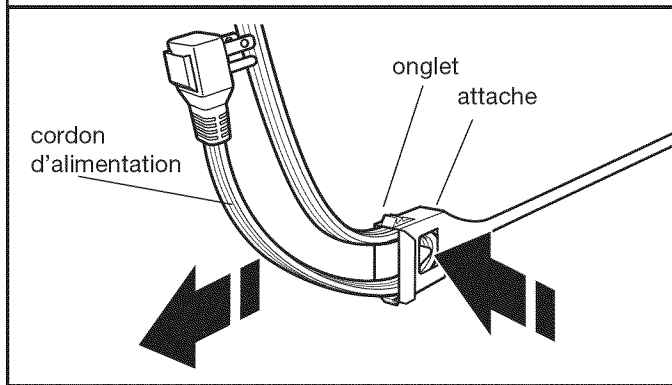
Avant de commencer : retirer le matériel d'expédition
Il est nécessaire de retirer tout le matériel d'expédition pour un fonctionnement correct et pour éviter que la laveuse ne fasse trop de bruit.

1. Déplacer la laveuse



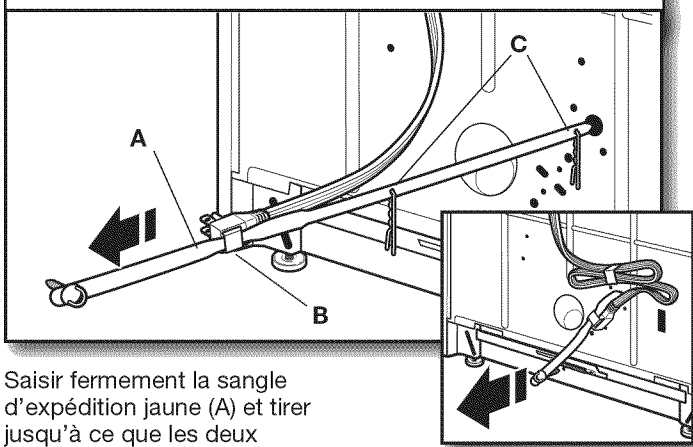
Déplacer la laveuse à moins de 3 pi (914 mm) de son emplacement final, elle doit être en position complètement verticale.

4. Retirer l'attache du cordon d'alimentation



Pour retirer l'attache du cordon d'alimentation : enfoncer le cordon d'alimentation, appuyer sur l'onglet, puis extraire le cordon d'alimentation.

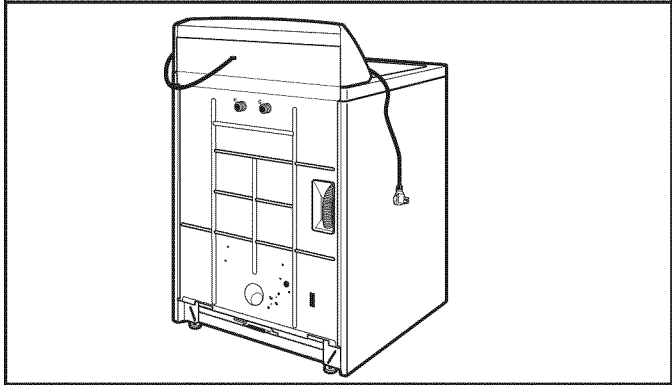
5. Retirer le cordon d'alimentation en boucle



Saisir fermement la sangle d'expédition jaune (A) et tirer jusqu'à ce que les deux extrémités soient complètement dégagées de la laveuse. Ôter l'attache de retenue du cordon d'alimentation (B) hors de la prise.

REMARQUE : Vérifier que deux (2) goupilles ont été retirées (C) avec la sangle.

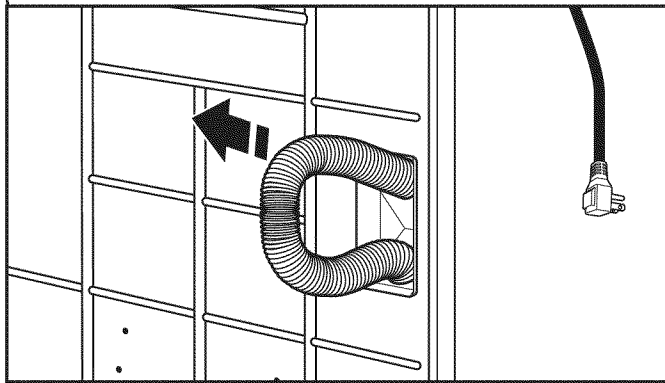
6. Placer le cordon d'alimentation par dessus la console



Placer délicatement le cordon d'alimentation par dessus la console pour permettre le libre accès à l'arrière de la laveuse.

RACCORDEMENT DU TUYAU DE VIDANGE

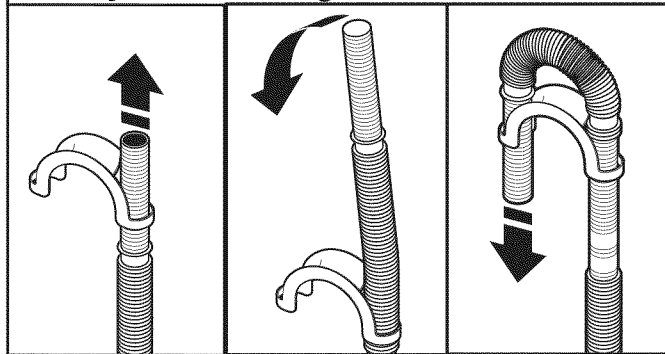
7. Libérer le tuyau de vidange de la caisse de la laveuse



Extraire délicatement le tuyau de l'arrière de la caisse de la laveuse à partir du sommet jusqu'à ce que le bout apparaisse.

IMPORTANT : Ne pas forcer l'excédent du tuyau de vidange dans l'arrière de la laveuse.

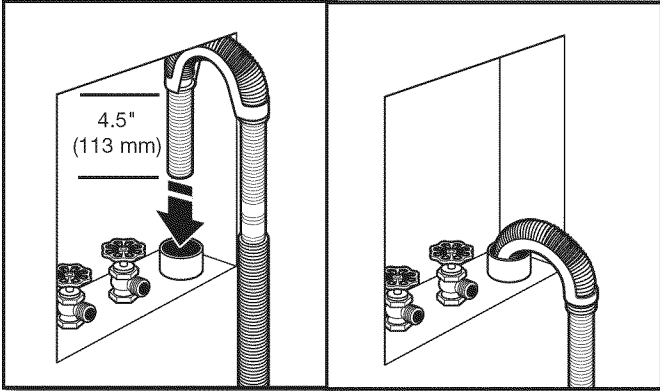
8. Raccorder la bride de retenue pour tuyau de vidange



Pour un évier de buanderie ou un tuyau de rejet à l'égout, suivre les étapes 8 et 9. Pour un conduit d'évacuation au plancher, ne pas installer de bride de retenue pour tuyau de vidange. Des pièces supplémentaires avec des directives distinctes seront peut-être nécessaires. Voir "Outillage et pièces".

Insérer le tuyau dans l'une des extrémités de la bride de retenue, plier le tuyau et continuer d'insérer le tuyau jusqu'à l'autre côté tout en fixant la bride de retenue aux sections lisses du tuyau.

9. Placer le tuyau de vidange dans le tuyau de rejet à l'égout



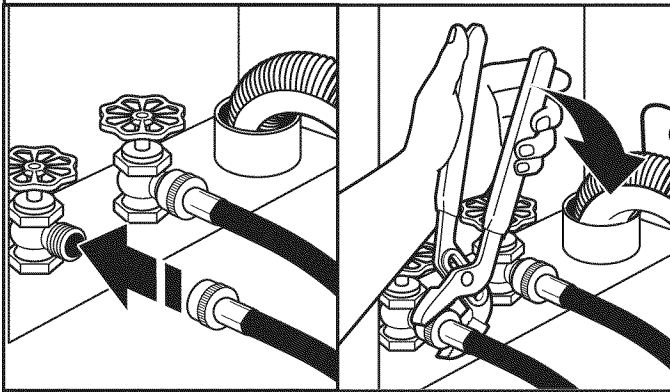
Placer le tuyau dans le tuyau de rejet à l'égout (illustré sur l'image) ou par-dessus le côté de l'évier de buanderie.

IMPORTANT : Il ne doit pas y avoir plus de 4,5" (113 mm) de tuyau de vidange à l'intérieur du tuyau de rejet à l'égout; ne pas forcer l'excédent de tuyau dans le tuyau de rejet à l'égout ni le placer dans l'évier de buanderie. On doit utiliser la bride de retenue pour tuyau de vidange.

RACCORDEMENT DES TUYAUX D'ARRIVÉE D'EAU

IMPORTANT : Vérifier que les tuyaux d'arrivée d'eau ont les rondelles plates aux deux extrémités. La laveuse doit être raccordée aux robinets d'eau à l'aide des nouveaux tuyaux d'arrivée d'eau avec les rondelles plates (non fournis). Ne pas utiliser de tuyaux usagés. Ne pas utiliser de tuyaux sans rondelles.

10. Raccorder les tuyaux d'arrivée d'eau aux robinets

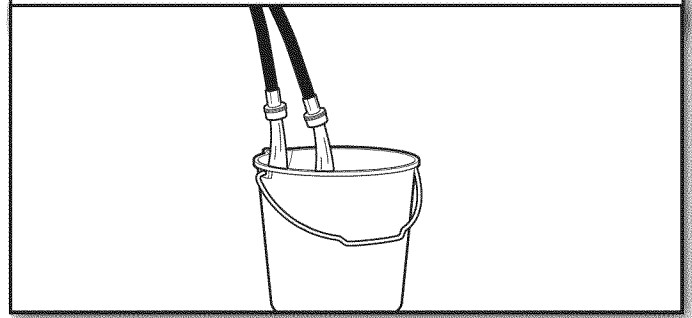


Fixer le tuyau au robinet d'eau chaude. Visser le raccord à la main pour qu'il repose sur la rondelle. Serrer les raccords de deux tiers de tour supplémentaires à l'aide d'une pince. Répéter cette étape avec le deuxième tuyau pour le robinet d'eau froide.

IMPORTANT : Ne pas serrer excessivement ni utiliser de ruban adhésif ou de dispositif d'étanchéité sur la valve lors de la fixation aux robinets ou à la laveuse. Cela pourrait entraîner des dommages.

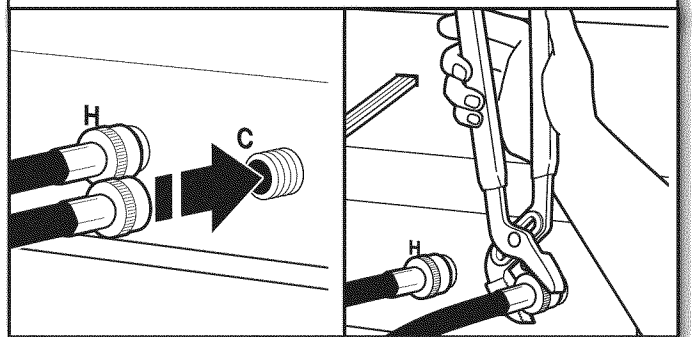
CONSEIL UTILE : Repérer quel tuyau est raccordé à l'eau chaude pour permettre une fixation correcte des tuyaux à la laveuse.

11. Purger les canalisations d'eau



Faire couler l'eau par les tuyaux dans l'évier de buanderie, le tuyau de rejet à l'égout ou le seau pendant quelques secondes pour éviter toute obstruction. On doit laisser couler l'eau jusqu'à ce qu'elle soit limpide.

12. Raccorder les tuyaux d'arrivée d'eau à la laveuse.



Fixer le tuyau d'eau chaude au robinet d'arrivée d'eau chaude. Visser le raccord à la main jusqu'à ce qu'il soit bien serré. Serrer les raccords de deux tiers de tour supplémentaires à l'aide d'une pince. Répéter pour le robinet d'eau froide.

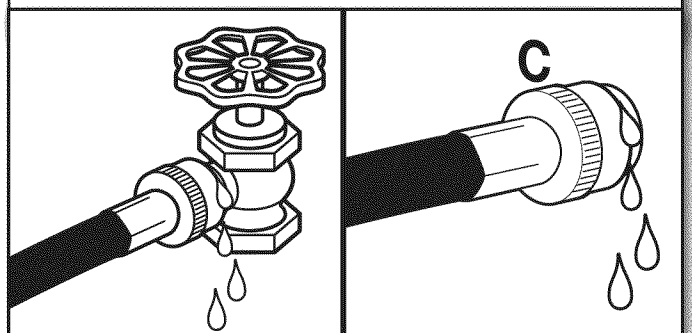
IMPORTANT : Ne pas serrer excessivement ni utiliser de ruban adhésif ou de dispositif d'étanchéité sur la valve lors de la fixation aux robinets ou à la laveuse. Cela pourrait entraîner des dommages.

IMPORTANT : Pour réduire le risque de défaillance des tuyaux, remplacer les tuyaux tous les 5 ans. Inscrire la date d'installation ou de remplacement des tuyaux pour référence ultérieure.

- Inspecter périodiquement les tuyaux et les remplacer en cas de renflement, de déformation, de coupure, d'usure ou si une fuite se manifeste.

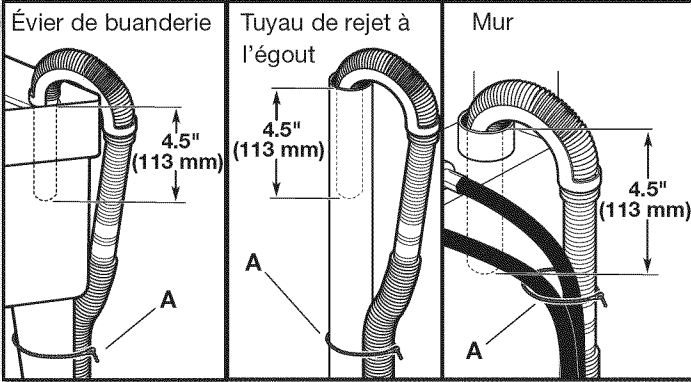
REMARQUE : Les robinets d'arrivée d'eau peuvent être installés verticalement ou horizontalement selon le modèle.

13. Rechercher les fuites éventuelles



Ouvrir les robinets d'eau pour vérifier qu'il n'y a pas de fuite. Une petite quantité d'eau peut entrer dans la laveuse. C'est normal. Elle s'évacuera plus tard.

14. Immobiliser le tuyau de vidange

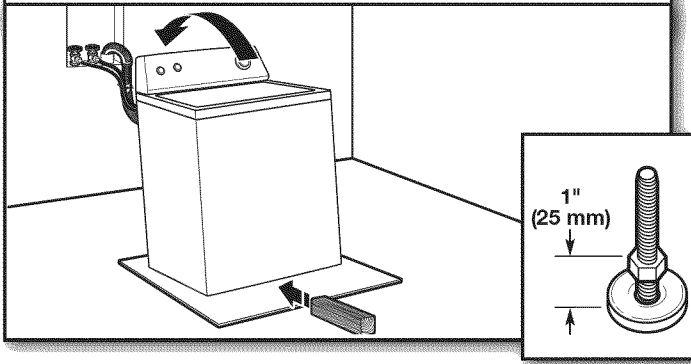


Fixer le tuyau de vidange au pied de l'évier de buanderie, au tuyau de rejet à l'égout ou aux tuyaux d'arrivée d'eau pour le tuyau de rejet à l'égout mural avec l'attache de fixation amovible (A). Ceci aidera à réduire la possibilité de l'eau de vidange éclaboussant sur le plancher.

ÉTABLISSEMENT DE L'APLOMB DE LA LAVEUSE

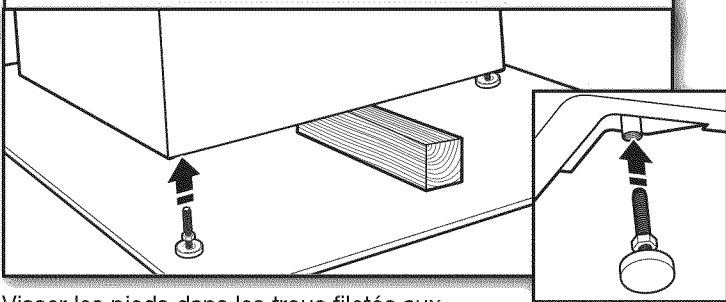
IMPORTANT : L'établissement correct de l'aplomb de la laveuse permet de réduire les nuisances sonores et de limiter les vibrations.

15. Préparer l'installation des pieds de nivellement



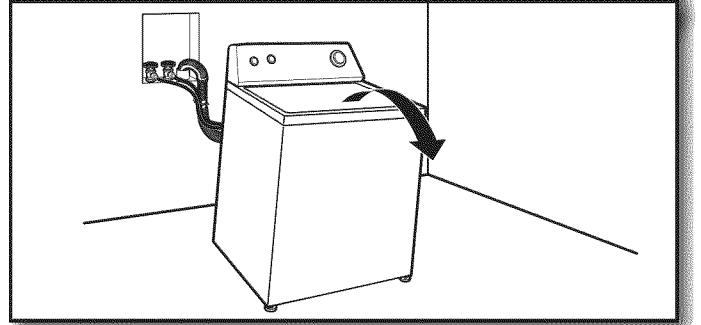
Soulever l'avant de la laveuse d'environ 4" (102 mm) à l'aide d'une cale en bois ou d'un objet similaire qui soutiendra le poids de la laveuse. Visser ensuite le contre-écrou sur chaque pied jusqu'à moins de 1" (25 mm) de la base du pied.

16. Installer les pieds de nivellement avant



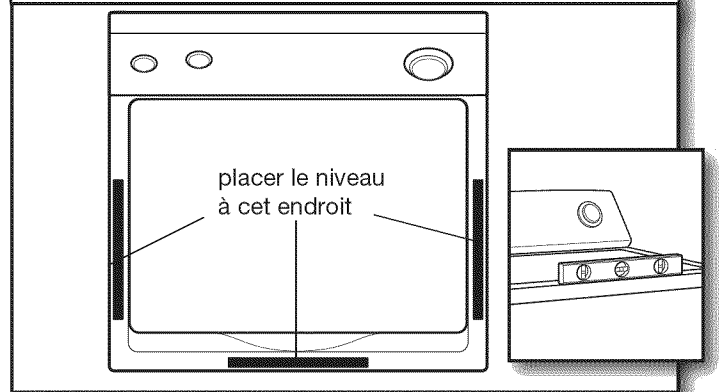
Visser les pieds dans les trous filetés aux angles avant de la laveuse, jusqu'à ce que les contre-écrous soient en contact avec la laveuse mais sans être serrés. Faire basculer la laveuse vers l'arrière, retirer la cale en bois. Abaisser délicatement la laveuse pour la faire reposer sur le sol puis la faire glisser jusqu'à son emplacement final. Ôter le morceau de carton utilisé pour protéger le plancher.

17. Engager les pieds de nivellement arrière

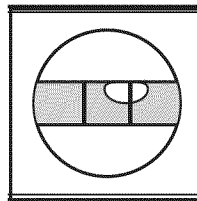


Faire basculer la laveuse vers l'avant; les pieds auto-réglables arrière s'emboîteront. Abaisser délicatement la laveuse pour la faire reposer sur le sol.

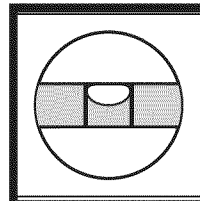
18. Contrôler l'aplomb de la laveuse



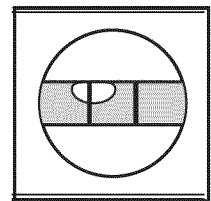
Placer un niveau sur les bords supérieurs de la laveuse en contrôlant chaque côté et l'avant. Faire bouger la laveuse d'avant en arrière pour s'assurer que les quatre pieds sont bien en contact avec le plancher. Si elle n'est pas d'aplomb, faire basculer la laveuse et régler les pieds vers le haut ou vers le bas puis recommencer si nécessaire.



Pas d'aplomb

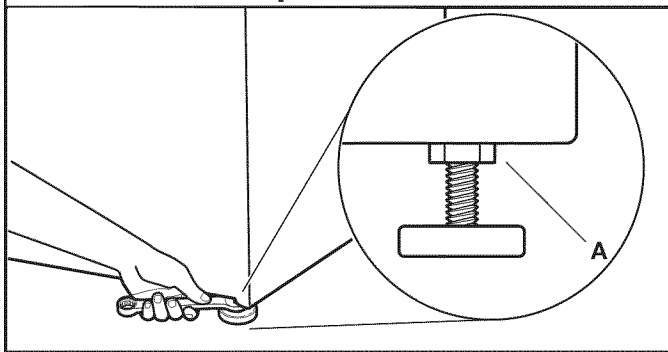


APLOMB



Pas d'aplomb

19. Serrer les pieds de nivellement



Lorsque la laveuse est d'aplomb, tenir le pied de nivellement pour empêcher le pied de tourner, et utiliser une clé réglable ou plate de 9/16" ou de 14 mm pour serrer dans le sens antihoraire le contre-écrou (A) du pied solidement contre la caisse de la laveuse.

CONSEIL UTILE : On devra peut-être de nouveau relever la laveuse à l'aide d'une cale de bois, puis vérifier de nouveau le bon aplomb de la laveuse.

⚠ AVERTISSEMENT



Risque de choc électrique

Brancher sur une prise à 3 alvéoles reliée à la terre.

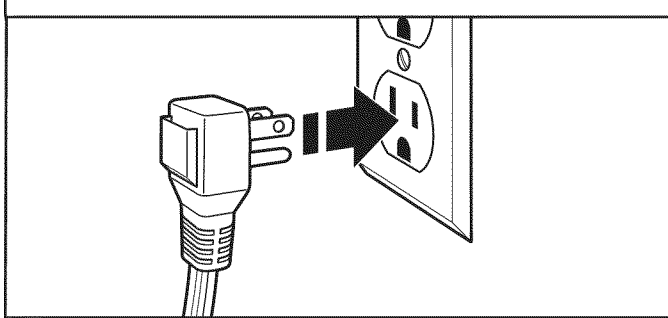
Ne pas enlever la broche de liaison à la terre.

Ne pas utiliser un adaptateur.

Ne pas utiliser un câble de rallonge.

Le non-respect de ces instructions peut causer un décès, un incendie ou un choc électrique.

20. Brancher sur une prise à 3 alvéoles reliée à la terre.



LISTE DE VÉRIFICATION POUR L'ACHÈVEMENT DE L'INSTALLATION

- Consulter les spécifications électriques. S'assurer de disposer d'une source d'électricité appropriée et d'une liaison à la terre conforme à la méthode recommandée.
- Vérifier que toutes les pièces sont maintenant installées. S'il reste une pièce, passer en revue les différentes étapes pour découvrir laquelle aurait été oubliée.
- Vérifier la présence de tous les outils.
- Vérifier que tout le matériel d'expédition jaune a été retiré de l'arrière de la laveuse.
- Vérifier que tous les deux robinets d'eau sont ouverts.
- Vérifier qu'il n'y a pas de fuite autour des robinets et des tuyaux d'arrivée d'eau.
- Ôter la pellicule de la console et tout ruban adhésif resté sur la laveuse.
- Vérifier que la laveuse est branchée sur une prise de courant à 3 alvéoles reliée à la terre.
- Éliminer/recycler tous les matériaux d'emballage.
- Lire "Utilisation de la laveuse" dans les Instructions d'installation de la laveuse.
- Pour tester et nettoyer la laveuse, mesurer la moitié de la quantité normale recommandée de détergent en poudre ou liquide et la verser dans le panier de la laveuse ou le distributeur de détergent (sur certains modèles). Fermer le couvercle. Sélectionner n'importe quel programme. Mettre la laveuse en marche et la laisser exécuter un programme complet.

W10200890C
W10200891C - SP

© 2010
All rights reserved
Tous droits réservés.