



HARBOR BREEZE and logo design are trademarks or registered trademarks of LF, LLC. All rights reserved.

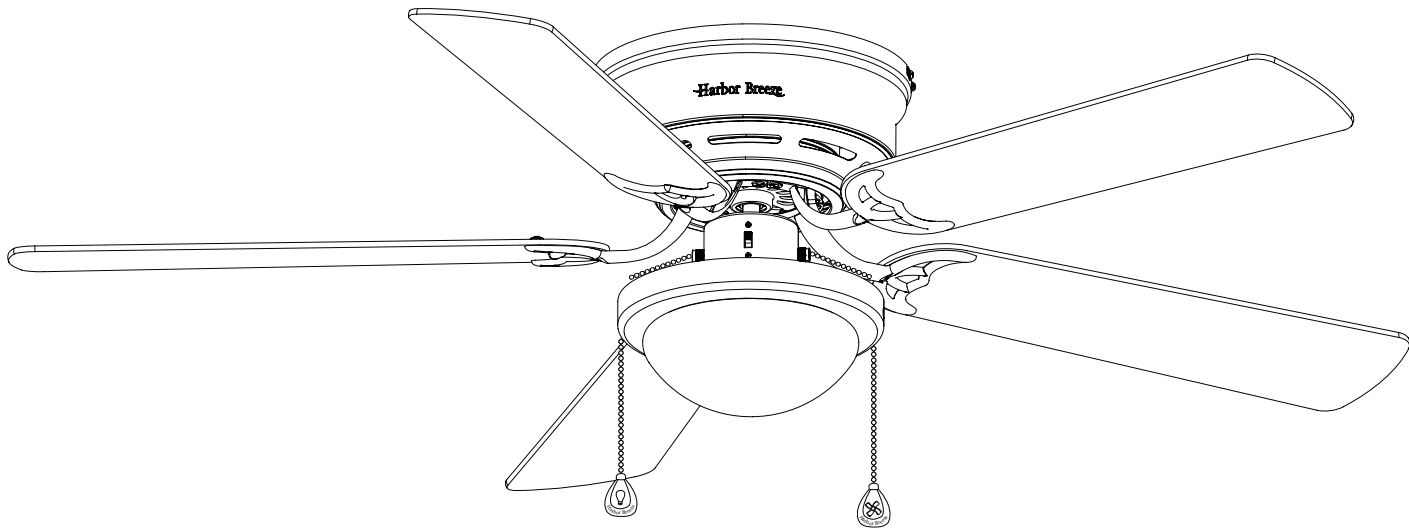
ITEM #915543/1133113/2758983/807426

MODEL #41391/41690/42480/42600

BUILDER'S SERIES CEILING FAN

Español p. 19

ATTACH YOUR RECEIPT HERE



Purchase Date _____

Thank you for purchasing this HARBOR BREEZE product.
Questions, problems, or missing parts?
Before returning, contact us at:
888-251-1003, 8 a.m. - 8 p.m., EST, Monday - Sunday or at ascs@lowes.com.

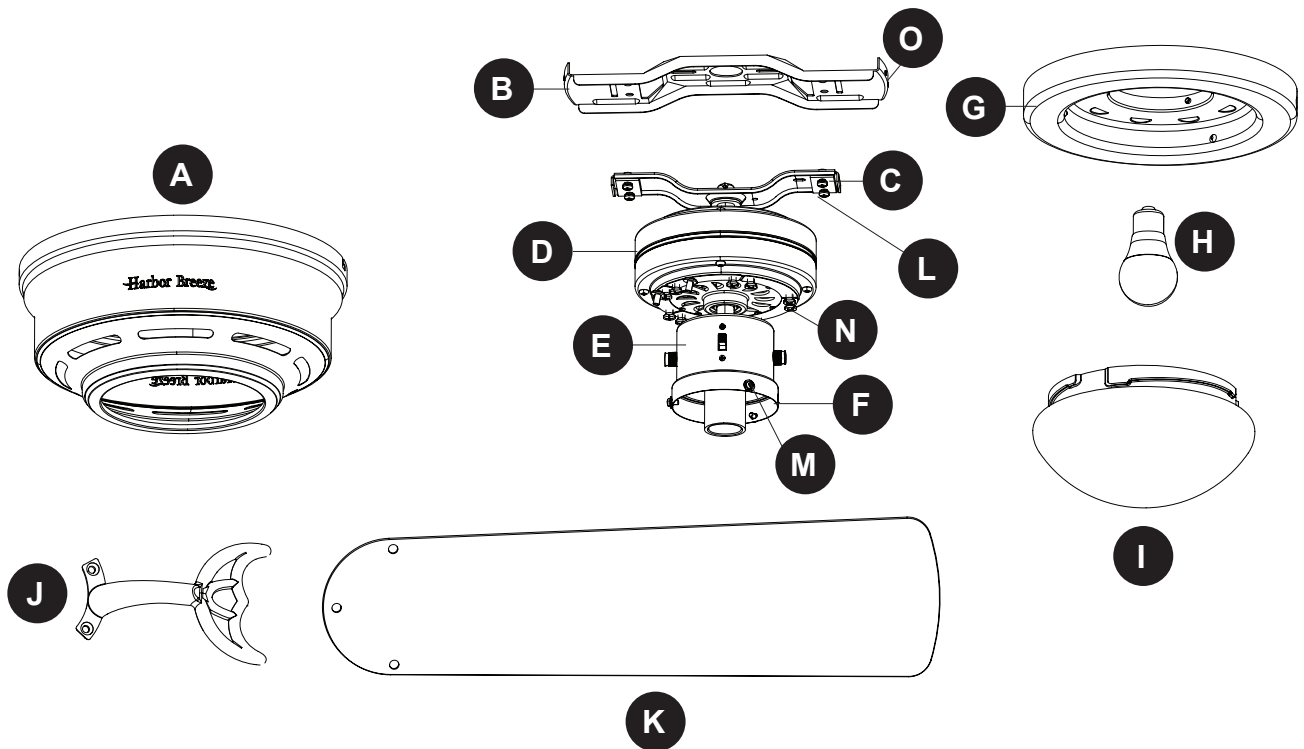


TABLE OF CONTENTS

Package Contents	3
Hardware Contents	4
Safety Information	5
Preparation	6
Initial Installation	7
Wiring	10
Final Installation.	11
Operating Instructions	14
Care and Maintenance	15
Troubleshooting.	15
Limited Lifetime Warranty	17
Replacement Parts List	18



PACKAGE CONTENTS



PART	DESCRIPTION	QUANTITY
A	Motor Housing	1
B	Upper Mounting Bracket	1
C	Lower Mounting Bracket (preassembled to Motor [D])	1
D	Motor	1
E	Switch Housing (preassembled to Motor [D])	1
F	Light Kit (preassembled to the Switch Housing [E])	1
G	Light Pan	1
H	Bulb	1
I	Glass Bowl	1
J	Blade Arm	5
K	Blade	5
L	Lower Bracket Screw (preassembled to Lower Mounting Bracket [C])	4
M	Switch Housing Screws (preassembled to Light Pan [G])	3
N	Motor Screw (preassembled to Motor [D])	10
O	Motor Housing Screw (preassembled to Upper Mounting Bracket [B])	4

HARDWARE CONTENTS (shown actual size)

AA



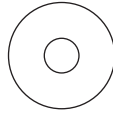
Wire Connector
Qty. 3 + 1 extra

BB



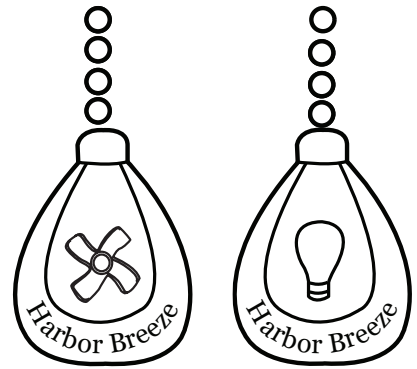
Blade Screw
Qty. 15 + 1 extra

CC



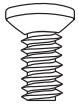
Blade Washer
Qty. 15 + 1 extra

DD



Pull Chain Extension
Qty. 2

XX



Motor Screw
1 extra



SAFETY INFORMATION

Please read and understand this entire manual before attempting to assemble, operate or install the product.

- Before you begin installing the fan, disconnect the power by removing fuses or turning off the circuit breakers.
- Make sure all electrical connections comply with local codes, ordinances, the National Electrical Code and ANSI/NFPA 70-199. Hire a qualified electrician or consult a do-it-yourself wiring handbook if you are unfamiliar with installing electrical wiring.
- Make sure the installation site you choose allows a minimum clearance of 7 ft. from the blades to the floor and at least 30 in. from the end of the blades to any obstruction.
- The net weight of this fan is: 14.11 lbs.



DANGER: When using an existing outlet box, make sure the outlet box is securely attached to the building structure and can support the full weight of the fan. Failure to do this can result in serious injury or death. The stability of the outlet box is essential in minimizing wobble and noise in the fan after installation is complete.



WARNING: To avoid personal injury, the use of gloves may be necessary while handling fan parts with sharp edges.



WARNING: To reduce the risk of fire, electric shock or personal injury, mount the fan to an outlet box marked “ACCEPTABLE FOR FAN SUPPORT” and use the mounting screws provided with the outlet box. Most outlet boxes commonly used for the support of lighting fixtures are not acceptable for fan support and may need to be replaced. Consult a qualified electrician if in doubt. Secure the outlet box directly to the building structure. The outlet box and its support must be able to support the moving weight of the fan (at least 35 lbs.).



WARNING: To reduce the risk of fire, electric shock or personal injury, wire connectors provided with this fan are designed to accept only one 12-gauge house wire and two lead wires from the fan. If your house wire is larger than 12 gauges and/or there is more than one house wire to connect to the two fan lead wires, consult an electrician for the proper size wire connectors to use.



WARNING: To reduce the risk of fire or electric shock, do not use the fan with any solid-state speed-control device or control the fan speed with a full-range dimmer switch.



WARNING: To reduce the risk of fire, electric shock or personal injury, do not bend the blade arms when installing them, balancing the blades or cleaning the fan. Do not insert objects between the rotating fan blades.



WARNING: To reduce the risk of personal injury, use only parts provided with this fan. The use of parts OTHER than those provided with this fan will void the warranty.



SAFETY INFORMATION

CAUTION: Read all instructions and safety information before installing your new fan. Review the accompanying assembly diagrams.

CAUTION: Be sure the outlet box is properly grounded or that a ground (green or bare) wire is present.

CAUTION: Carefully check all screws, bolts and nuts on the fan motor assembly to ensure they are secured.

CAUTION: This device complies with part 15 of FCC Rules. Operation is subject to the following two conditions: 1) This device may cause harmful interference, and 2) this device must accept any interference received, including interference that may cause undesired operation.

CAUTION: This equipment has been tested and found to comply with the limits for a Class B digital device, pursuant to Part 15 of the FCC Rules. These limits are designed to provide reasonable protection against harmful interference in a residential installation. This equipment generates, uses and can radiate radio frequency energy and, if not installed and used in accordance with the instructions, may cause harmful interference to radio communications. However, there is no guarantee that interference will not occur in a particular installation. If this equipment does cause harmful interference to radio or television reception, which can be determined by turning the equipment off and on, the user is encouraged to try to correct the interference by one or more of the following measures:

--Reorient or relocate the receiving antenna.

--Increase the separation between the equipment and receiver

--Connect the equipment into an outlet on a circuit different from that to which the receiver is connected.

--Consult the dealer or an experienced radio/TV technician for help.

Please note changes or modifications not expressly approved by the party responsible for compliance could void the user's authority to operate the equipment.

HKC-US
3350 Players Club Pkwy. #225
Memphis, TN 38125
1-888-251-1003

PREPARATION

Before beginning the assembly of this product, ensure that all parts are present. Compare all parts with the package contents list and hardware contents list. If any part is missing or damaged, do not attempt to assemble the product.

Estimated Assembly Time: 120 minutes

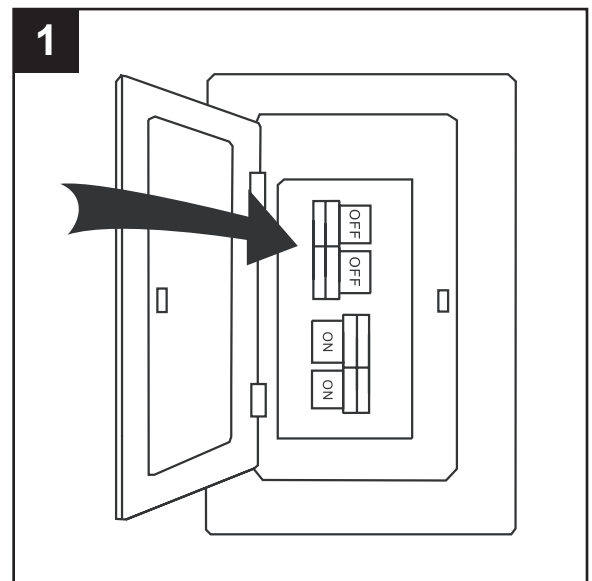
Tools Required for Assembly (not included): Electrical Tape, Phillips Screwdriver, Pliers, Safety Glasses, Step Ladder, Wire Cutters and Wire Strippers

Helpful Tools (not included): AC Tester Light, Tape Measure and Wiring Handbook

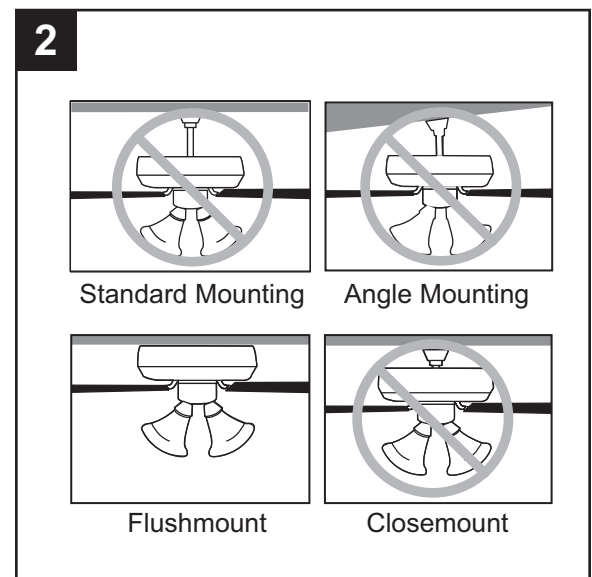
INITIAL INSTALLATION

1. Turn off the circuit breakers and the wall switch to the fan supply line leads.

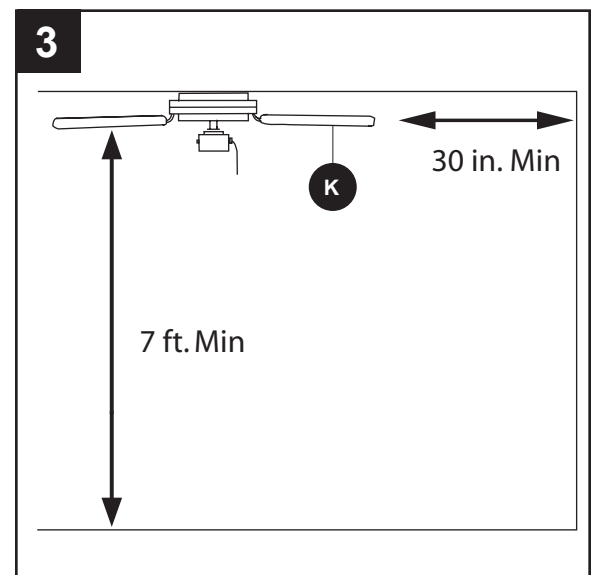
⚠ DANGER: Failure to disconnect the power supply prior to installation may result in serious injury or death.



2. This fan is intended for Flushmount installation. Standard Mounting, Angle Mounting and Closemount installations are not available.



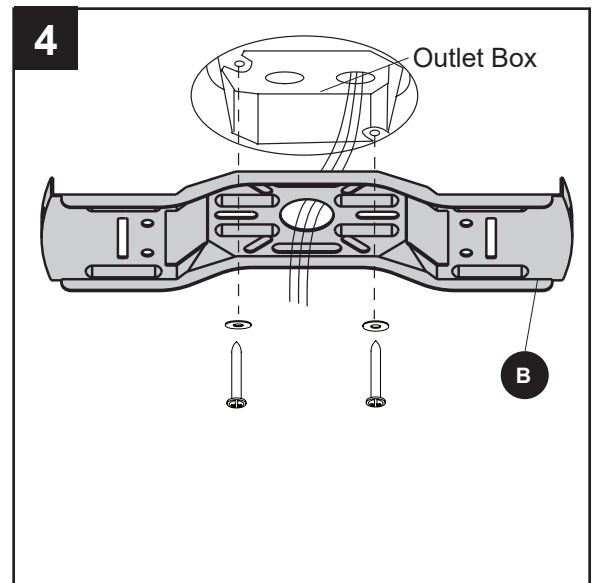
3. Ensure the blades (K) will be at least 30 in. from any obstructions and will be at least 7 ft. above the floor.



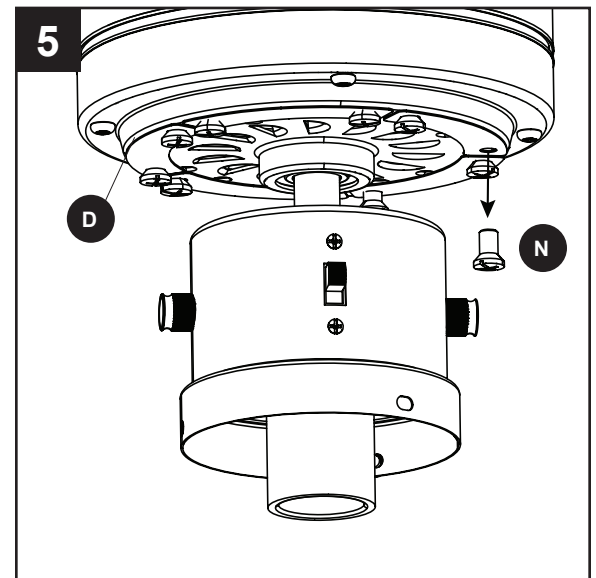
INITIAL INSTALLATION

- Secure the upper mounting bracket (B) to the outlet box (not included) using screws and washers provided with the outlet box.

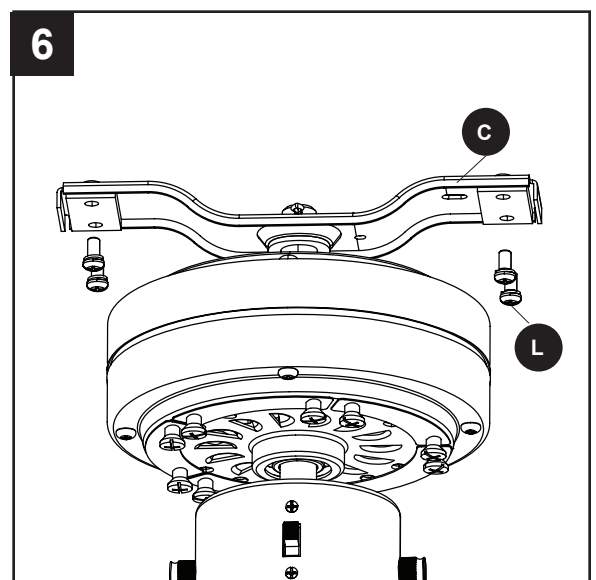
CAUTION: It is very important that you use the proper hardware when installing the upper mounting bracket (B) as it will support the fan.



- Remove the 10 motor screws (N) from the motor (D) and save for later use.

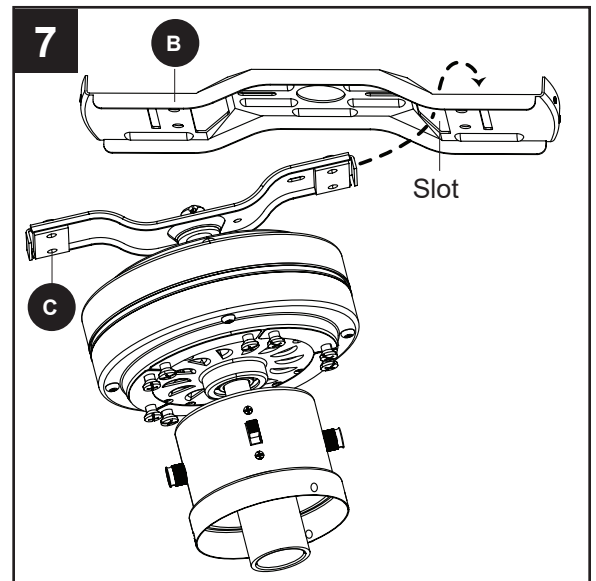


- Remove the lower bracket screws (L) from underneath the lower mounting bracket (C).

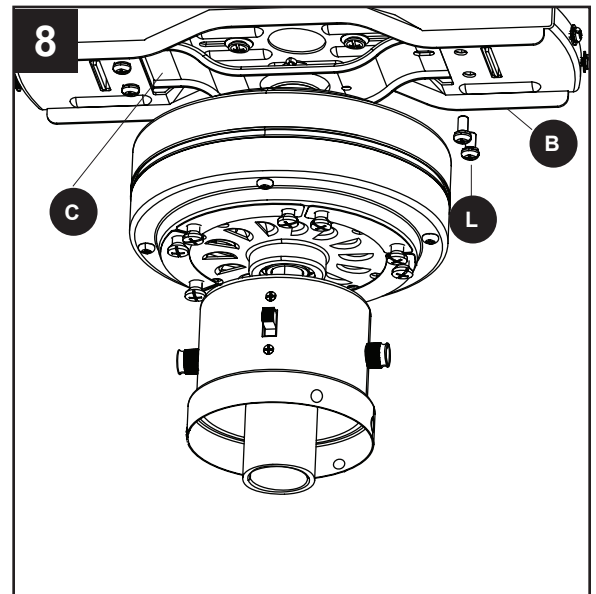


INITIAL INSTALLATION

7. Place one tab of the lower mounting bracket (C) into a slot in the upper mounting bracket (B), then slide the second tab of the lower mounting bracket (C) into the second slot on the upper mounting bracket (B) until all four holes are in alignment.



8. Re-install the previously removed lower bracket screws (L) to secure the lower mounting bracket (C) to the upper mounting bracket (B).



WIRING

⚠ WARNING: To reduce the risk of fire, electrical shock or personal injury, wire connectors provided with this fan are designed to accept only one 12-gauge house wire and two lead wires from the fan. If your house wire is larger than 12 gauges and/or there is more than one house wire to connect to the two fan lead wires, consult an electrician for the proper size wire connectors to use.

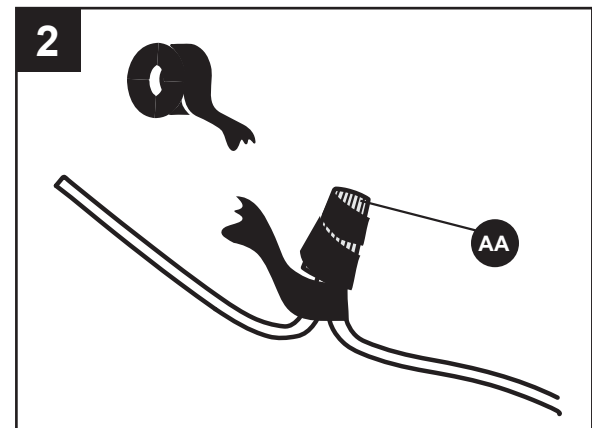
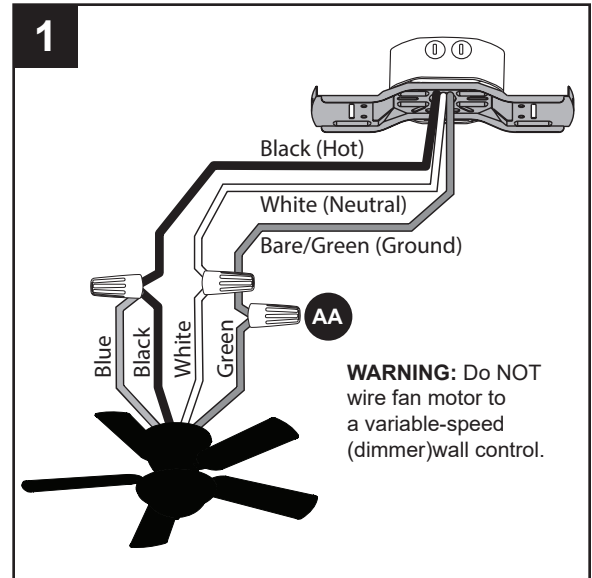
CAUTION: Be sure the outlet box is properly grounded or that a Ground (Green or Bare) wire is present.

1. Connect household supply and fan wires according to the diagram and these steps:

- Connect the Green wire from the fan to the Bare/ Green (ground) supply wire.
- Connect the White wire from the fan to the White (neutral) supply wire.
- Connect the Black and Blue wires from the fan to the Black (hot) supply wire.
- Secure all wiring connections together with wire connectors (AA).

Note: If there is a second hot/power wire coming from the outlet box, connect it to the blue (light power) fan wire for separate light and fan control.

Note: The Black wire is hot power for the fan. The White wire is common for the fan and light kit. The Blue wire is hot power for light. The Green wire is the ground wire. If household supply wires are different colors than referred to above, it is recommended a professional electrician determines the proper wiring.



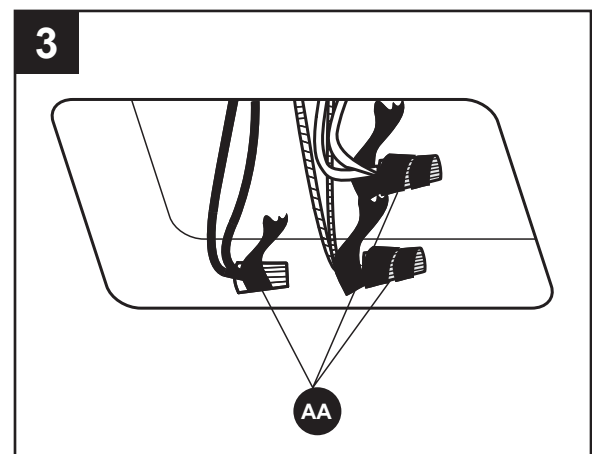
Hardware Used

AA Wire Connector  x 3

2. Wrap electrical tape (not included) around each individual wire connector (AA) down to the wire.

3. Turn the spliced/taped wires upward and gently push the wires and wire connectors (AA) into the outlet box.

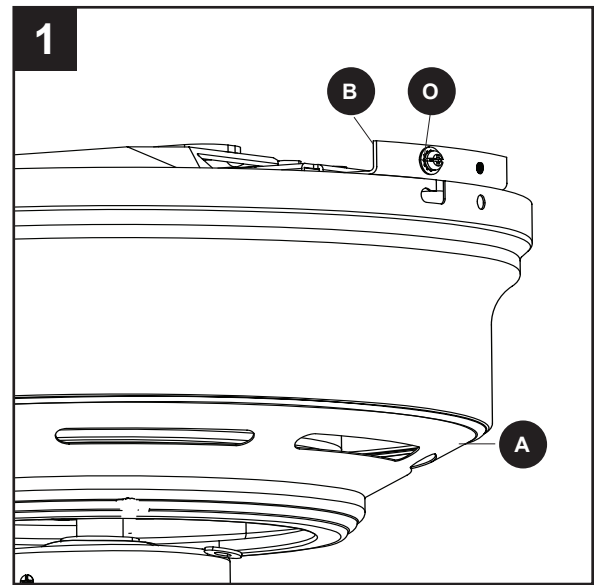
⚠ WARNING: Ensure no bare wire or wire strands are visible after making connections. Place the Green and White wire connections on the opposite side of the outlet box from the Black and Blue wire connections.



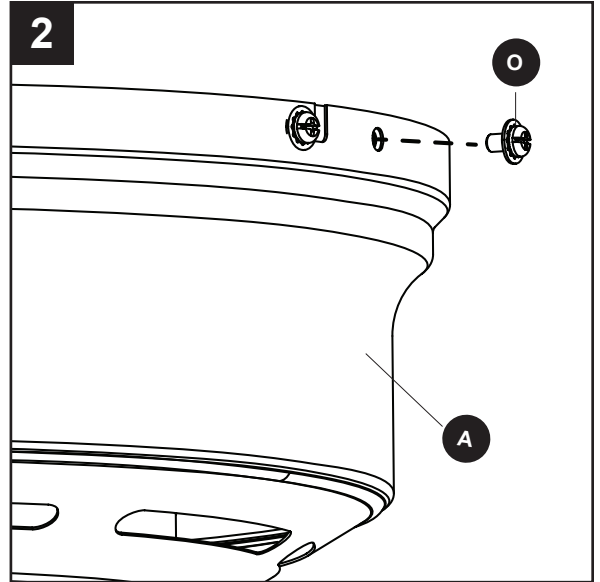
FINAL INSTALLATION

1. Temporarily lift the motor housing (A) to the upper mounting bracket (B) to determine which two motor housing screws (O) preassembled in the sides of the upper mounting bracket (B) align with the slotted holes in the top edge of the motor housing (A). Partially loosen the two motor housing screws (O) that align with the slotted holes.

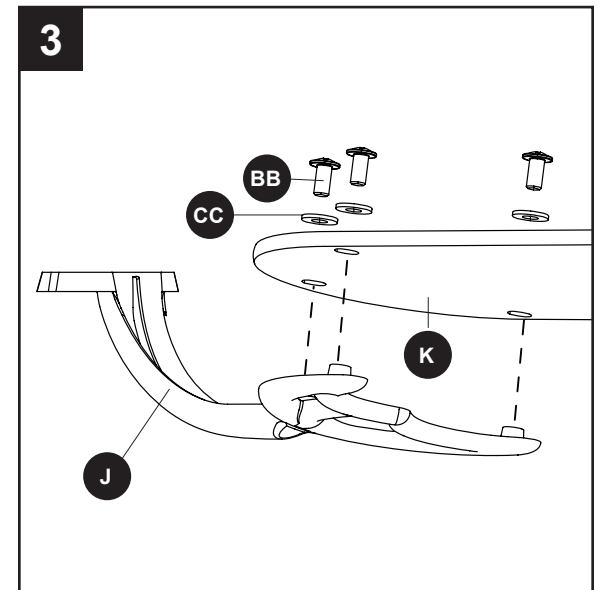
Remove the other two motor housing screws (O) from the upper mounting bracket (B).



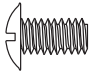
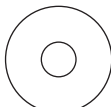
2. Slide the motor housing (A) over the motor (D), aligning the slotted holes in the motor housing (A) with the loosened motor housing screws (O) in the upper mounting bracket (B). Twist the motor housing (A) to lock, then re-insert the two previously removed motor housing screws (O) and securely tighten all screws.



3. Partially insert the blade screws (BB) along with the blade washers (CC) through the blade (K) and into the blade arm (J). Tighten each blade screw (BB) with a Phillips screwdriver, starting with the one in the middle. Repeat this step for the remaining blades (K) and blade arms (J).



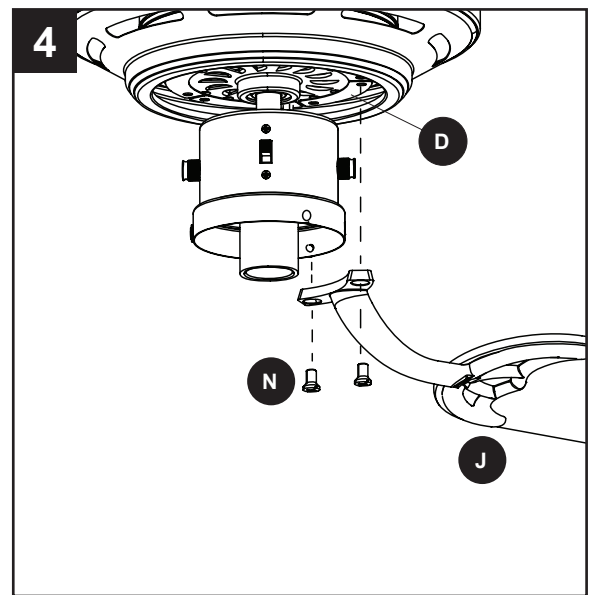
Hardware Used

BB	Blade Screw		x 15
CC	Blade Washer		x 15

FINAL INSTALLATION

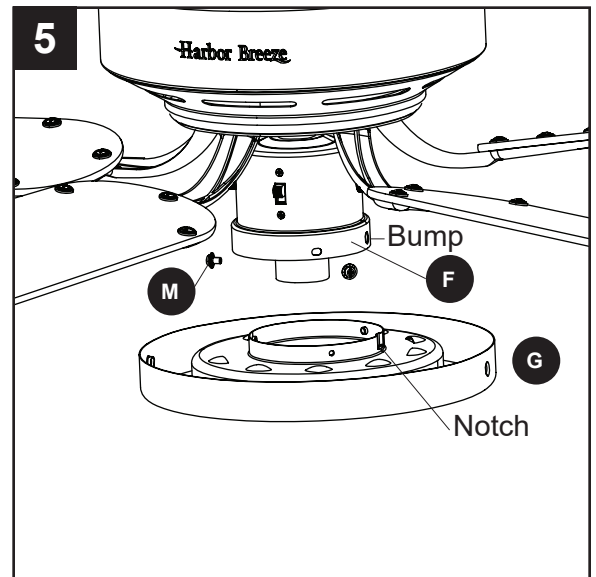
4. Install the blade arm (J) to the underside of the motor (D) with motor screws (N) previously removed (Step 5, page 8). Tighten with Phillips screwdriver.

Repeat for each blade arm (J).

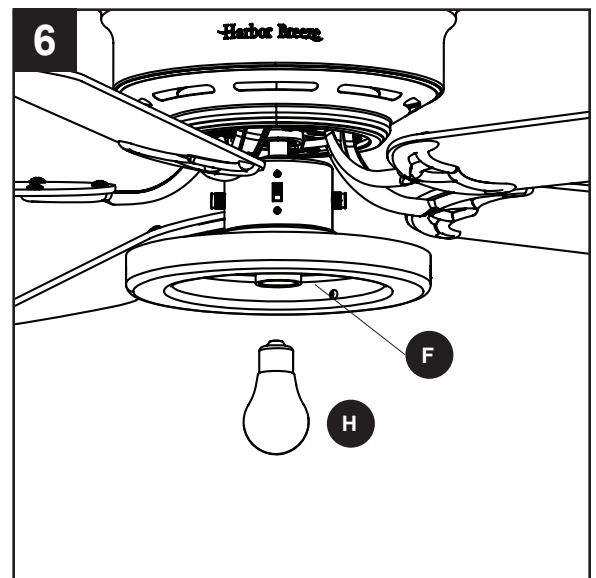


5. Remove the three preassembled switch housing screws (M) from the light pan (G). Lift the light pan (G) onto the light kit (F) and secure the light pan (G) with the previously removed switch housing screws (M).

Note: Align the notch in the light pan with the bump on the lower edge of the light kit.

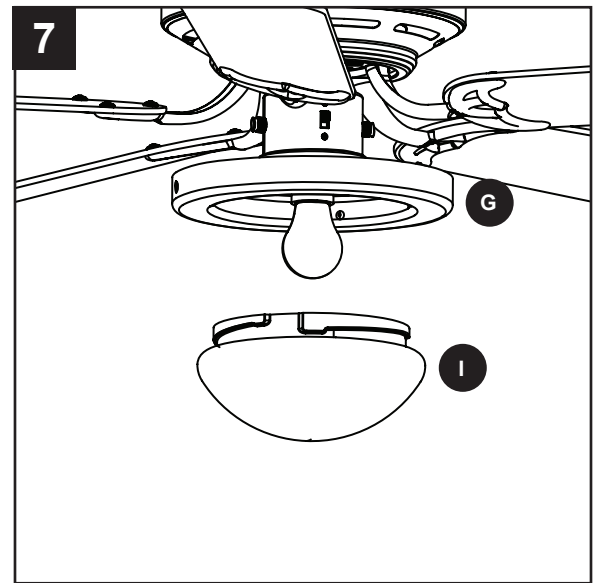


6. Install the bulb (H) into the socket of the light kit (F).



FINAL INSTALLATION

- Lift the glass bowl (I) into the light pan (G) and twist in a clockwise direction until the glass bowl (I) is secure.



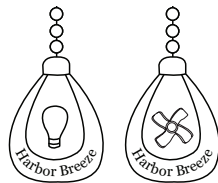
- Attach the pull chain extensions (DD) or custom pull chain extensions (not included) to the fan and light pull chains.

Note: When facing the reverse switch, the pull chain for the fan is on the right and the pull chain for the light is on the left.

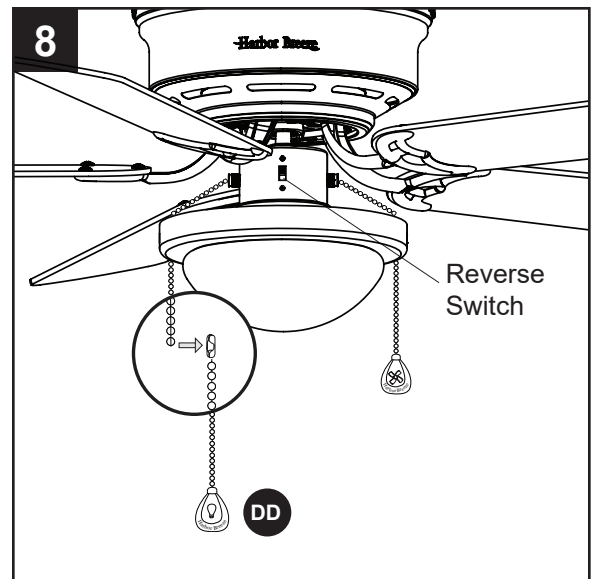
Hardware Used

DD

Pull Chain
Extension

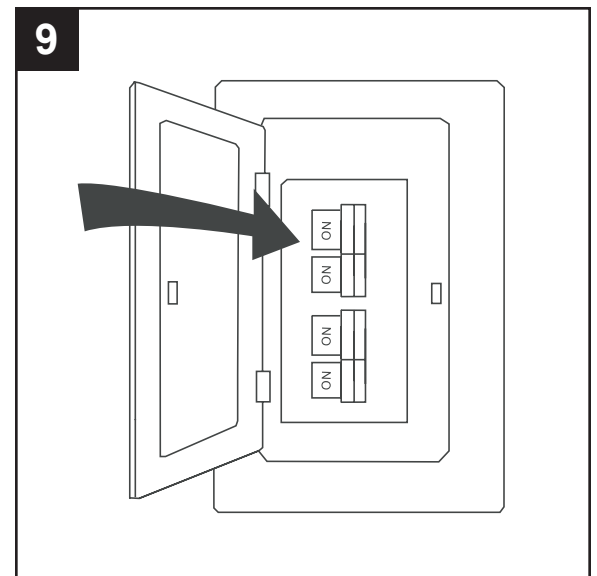


x 2



- Turn on power supply to fan.

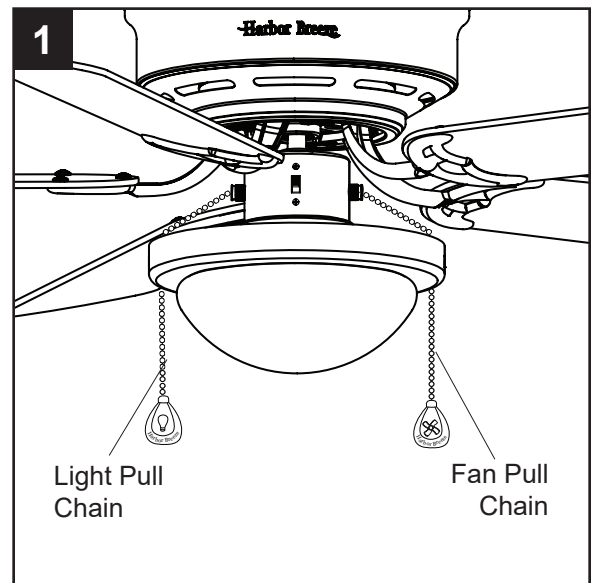
Assembly is complete.



OPERATING INSTRUCTIONS

1. The fan pull chain has four positions to control fan speed. One pull is HIGH, two is MEDIUM, three is LOW and four turns the fan OFF.

The light pull chain has two positions to control the light, ON and OFF.



2. Use the fan reverse switch, located on the switch housing (E), to optimize your fan for seasonal performance.

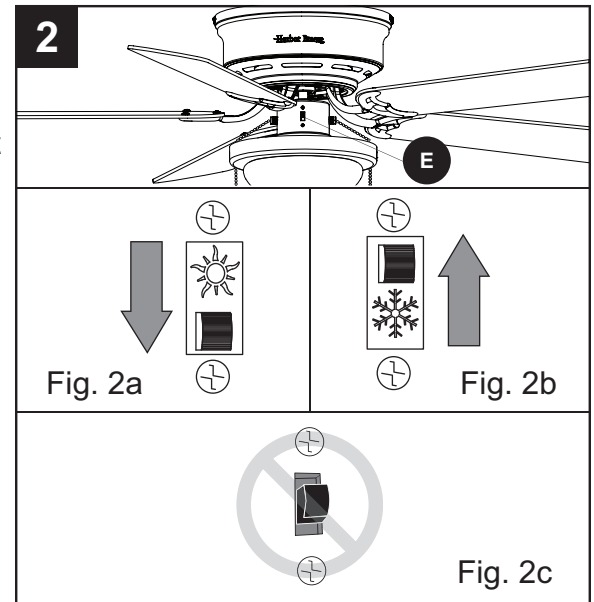
Using a ceiling fan will allow you to raise your thermostat setting in summer and lower your thermostat setting in winter without feeling a difference in your comfort.

Note: Wait for the fan to stop before moving the reverse switch.

2a. **In warmer weather**, push the reverse switch down to display a sun icon, which will result in downward airflow creating a wind chill effect.

2b. **In cooler weather**, push the reverse switch up to display a snowflake icon, which will result in upward airflow that can help move stagnant, hot air off the ceiling area.

Important: The reverse switch must be set either completely up or down for the fan to function correctly. If the reverse switch is set in the middle position, the fan will not operate (Fig. 2c).



CARE AND MAINTENANCE

At least twice each year, lower the motorhousing and tighten all screws on the fan. Clean the motor housing with only a soft brush or lint-free cloth to avoid scratching the finish. Clean the blades with a lint-free cloth. You may occasionally apply a light coat of furniture polish to wood blades for added protection.

Bulb Replacement: Use 60-watt max. E26-base LED, CFL or incandescent bulbs. Halogen bulbs are not recommended for this item.

Important: Shut off the main power supply before you begin any maintenance task. Do not use water or a damp cloth to clean the fan.

TROUBLESHOOTING

PROBLEM	POSSIBLE CAUSE	CORRECTIVE ACTION
The fan does not move.	<ol style="list-style-type: none">1. The reverse switch is not engaged.2. The wall switch is turned off.3. The power is off or the fuse (breaker) is blown.4. There is a faulty wire connection.	<ol style="list-style-type: none">1. Firmly push the reverse switch completely up or down.2. Make sure the wall switch is turned on.3. Turn the power on or check the fuse (breaker).4. Turn the power off and check all connections at the ceiling outlet box.
The fan is noisy.	<ol style="list-style-type: none">1. The blades are loose.2. There is a cracked blade.3. The wall control is not compatible with the fan.4. The outlet box is not secure.5. The mounting bracket is not secure.	<ol style="list-style-type: none">1. Check and tighten all screws that hold the fan blades to the blade arms and the motor.2. Replace the cracked blade.3. Do not use a full range dimmer switch to control the fan speed.4. Ensure the outlet box is secured to the building structure.5. Ensure the mounting bracket is secured to the outlet box and that the screws are tight.

TROUBLESHOOTING

PROBLEM	POSSIBLE CAUSE	CORRECTIVE ACTION
There is excessive wobbling.	<ol style="list-style-type: none"> 1. The blades and/or blade arms are loose. 2. The blades are unbalanced. 3. The fan mounting is not secure. 	<ol style="list-style-type: none"> 1. Check and tighten all screws that hold the fan blades to the blade arms and the blade arms to the motor. 2. Switch one blade with a blade from the opposite side. Or balance the fan using a blade balancing kit (sold separately). 3. Turn off the power. Loosen the motor housing and verify that the mounting bracket is secure to the electrical outlet box. The bracket must be flush without movement against the outlet box. Verify the outlet box is secure.
The fan operates correctly, but the lights are not working.	<ol style="list-style-type: none"> 1. The bulbs are not installed correctly. 2. The light kit wire plugs are not connected properly. 3. There is a faulty wire connection. 	<ol style="list-style-type: none"> 1. Re-install the bulb(s). 2. Ensure the single-pin connectors in the light kit are connected properly. 3. Turn the power off and check all connections at the ceiling outlet box.

LIMITED LIFETIME WARRANTY

Set forth below, the manufacturer warrants the fan motor for this ceiling fan to be free from defects in workmanship and material for the life of the product. Also, subject to the limitations below, the manufacturer warrants all ceiling fan parts (“ceiling fan parts” excludes the motor and parts made in whole or in part with glass) to be free from defects in workmanship and material for a period of one year after the date of purchase by the original purchaser at retail.

All claims must be made by the original purchaser from an authorized dealer, whether such purchaser purchased the product through a store or contractor. Ceiling fan part defects must be reported within the first year from the date of purchase. Parts made in whole or in part with glass and the finishes of metal and other surfaces are not warranted.

Purchasers are responsible for all costs of removing and reinstalling the product. Any damage to any part caused by ordinary wear and tear, accident, misuse, or improper installation, is not covered by this warranty. The manufacturer assumes no responsibility whatsoever for fan installation. Any service performed by a non-licensed electrician will render the warranty invalid.

The manufacturer’s sole responsibility shall be to repair or replace the motor, parts, or product within the terms stated above. The manufacturer shall not be liable for any loss or damage of any kind, including any incidental or consequential damages resulting directly or indirectly, from any breach of warranty, express or implied, or any other failure of this product. Some states do not allow the exclusion or limitation of incidental or consequential damages so this limitation may not apply to you.

If the original purchaser ceases to own the fan, this warranty is voided.

Should the purchaser encounter a problem with your fan related to defects in workmanship or materials within the warranty period associated with the defective part, the manufacturer agrees to replace the defective part without charge, or at its option, to replace the ceiling fan with a comparable or superior model.

The manufacturer’s warranties are limited to the written warranties set out in this ceiling fan limited lifetime warranty. All other express and implied warranties, including, without limitation, the implied warranty of fitness for a particular purpose and the implied warranty of merchantability is disclaimed. Some states do not allow the disclaimer of implied warranties, so this disclaimer may not apply to you.

REPLACEMENT PARTS LIST

For replacement parts, call the customer service department at 1-888-251-1003, 8 a.m. - 8 p.m., EST, Monday - Sunday. You could also contact us at partsplus@lowes.com or visit www.lowespartsplus.com.

PART	DESCRIPTION	0915543 PART #	1133113 PART #	2758983 PART #	0807426 PART #	COVERED UNDER WARRANTY
A	Motor Housing	4L000008830	4L000009970	4L000014270	4L000015610	YES - 1 year
B	Upper Mounting Bracket	4L000005480	4L000005400	4L000005400	4L000008200	YES - 1 year
I	Glass Bowl	4L166810001	4L166810001	4L166810001	4L166810001	NO
J	Blade Arm	4L073700000	4L073700001	4A073700004	4L073700002	YES - 1 year
K	Blade	4L084870001	4L084870001	4L084870006	4A084870012	YES - 1 year
HW	Hardware Kit	4L000010710	4L000010700	4L000014280	4L000015600	NO

