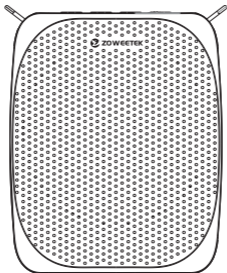


Natural Voice

Voice Amplifier User Manual



ZW-S615

S615 UHF Wireless Portable PA System with Headset. S615 UHF is a highly integrated system with many features. It is a public address system that amplifies your voice with HD sound quality. You can use a wired microphone or one wireless headset MIC to talk into it. It is easy to pair the transmitter and receiver and you can select different frequencies to use when you are using more than one system. It is a Music Player. You can play music from a TF card or USB flash disk.

Please read the instructions carefully before using it.

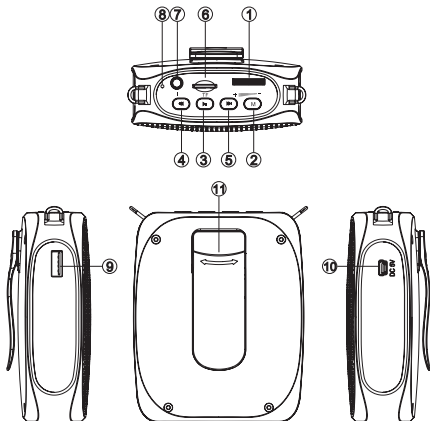
Features:

1. ZOWEETEK patented appearance;
2. Stylish, ergonomic and comfortable design;
3. Power double magnetic trumpet — more clear and penetrating;
4. 10W power output, sound coverage up to 800m²;
5. Adopt ZOWEETEK Acoustic amplification electroacoustic system;
6. Equipped with ZOWEETEK special acoustic microphone — Loud and clear original sound amplification;
7. Super MP3 audio encoding technology -- support TF card & U flash disk.

Specification:

Output power:	10W	Frequency response:	90Hz-18KHz
Output Impedance:	4Ω	Work temperature:	-10°C - 45°C
Charging voltage:	DC 5V 500mA+	Amplify time:	8-12 hours
Music-play time:	6-10 hours	Charging time:	3-5 hours

Function Illustration:



1.Power switch & volume control: Rotate the knob to “ON” to turn on the amplifier when the power indicator is blue. Rotate to “+” continuously to increase the volume, rotate to “-” continuously to decrease the volume till turn off.

2.Mode:

- A) Short Press: You can short press this mode button to select a working mode (USB, TF or UHF mode). When TF card and USB flash drive are both inserted, use the

"M" Key to select which storage you want to play.

B) Long Press: In UHF mode, long press to repair the UHF frequency manually.

3.Play/Pause: Short press it to pause, and press again to play the music under default mode. Long press "▶" till the blue light blinks quickly to enter single music repeat mode. Long press the "▶" till the blue light blinks normally to repeat all the music in storage.

4.Previous: Short press it to go to previous music; long press it to backward.

5.Next: Short press it to go to next music; long press it to fast forward.

6.TF card: Insert the TF card to play mp3. It is compatible with most brands, the maximum capacity is 32GB.

Notes: It may be unreadable when the file is large or complex.

7.Ø3.5mm Microphone Jack: Insert the wired microphone in any mode to amplify with current mode simultaneously. To avoid howling please do not point the microphone toward the speaker.

8.Indicator:

Blue light: Will on all the time in the state of power-on;

Red light: Will blinks when charging; and it will on all the time after fully charged.

Notes: We suggest that you fully charge the amplifier before using it the first time.

9.USB: Insert the USB to play mp3. It is compatible with most brands, the max capacity is 32GB.

10.Mini-USB Port (DC 5V): Use the charger with DC 5V output connect with Mini-USB cable to charge the PA system.

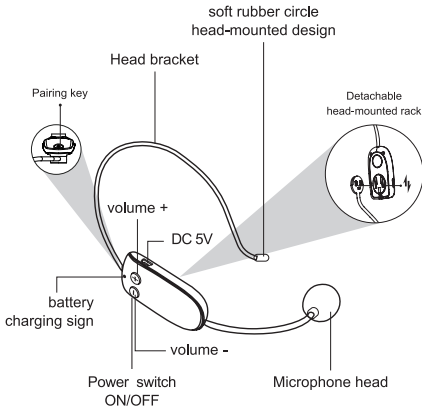
Unplug the charger as soon as it is fully charged.

11.Detachable clip

Caution And Trouble Shooting:

- 1). Aim at the MIC capsule when speaking and keep the distance between voice amplifier and MIC longer than 60cm avoid howling.
- 2). No sound out from the speaker after the UHF Mic is paired. The connection between Mic and speaker may be lost. You should re-pair it as mentioned in the previous paragraph.
- 3). Don't insert or plug the connector frequently to avoid the looseness of socket or the bad connect.
- 4). Recharge timely when battery power is low.
- 5). Original accessories are suggested if they need to be replaced.
- 6). Non-professional technician is not allowed to dismantle or repair the product; please contact the local agent if there is any question or service requirement.
- 7). The amplifier should be kept in dry and ventilated area, rain, water, thump should be avoided.
- 8). Please keep the product and accessories far away from children.

UHF Wireless Microphone:

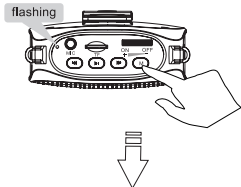


Reminds:

When the blue light blinks, it means the battery in the headset is low, please turn it off and charge it with Micro connector USB cable and connect to DC 5V charger. When charging, the red light will on all the time; it will go out when the battery is fully charged. Unplug the charger as soon as it is charged.

Step1

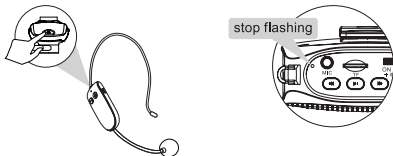
long press "M" key
for 5 seconds



Step2

Turn on the wireless
microphone and long
press "UHF" key for 5
seconds.

"UHF" icon stop flash
means pair success-
fully.



Step1. Turn on the voice amplifier, long press "M" key for 5 seconds, the blue icon will flash.

Step2. Turn on the wireless microphone and long press "UHF" key for 5 seconds. The blue icon on the voice amplifier stop flash means paired successfully.

Quick Guide To Use The System

- Put the headset microphone on in a way that you feel comfortable and adjust the microphone receiver close to your mouth with right angle. Turn on the power, then adjust the sound volume.
- UHF pairing randomly: Turn on the amplifier and the UHF wireless microphone. The amplifier will automatically pair the wireless UHF microphone, then they are working with each other.
- Loop: When play music on TF card/USB flash drive, long press “▶|” key for 3 seconds to switch to single song repeat, the Blue light will quickly flash. Press it again to switch back to all repeat, then the Blue light will normally flash; (Notes: speaker will be “all repeat” by default after powered on next time.)

Zoweetek Guarantee:

100% Zoweetek Guaranteed Product Satisfaction.

We promise 1 year warranty.

If you have any questions, please feel free to contact us, we will try our best to provide you the best service.

www.zoweetek.cn Email:support@zoweetek.cn