



Harbor Breeze® is a registered trademark of LF, LLC. All Rights Reserved.

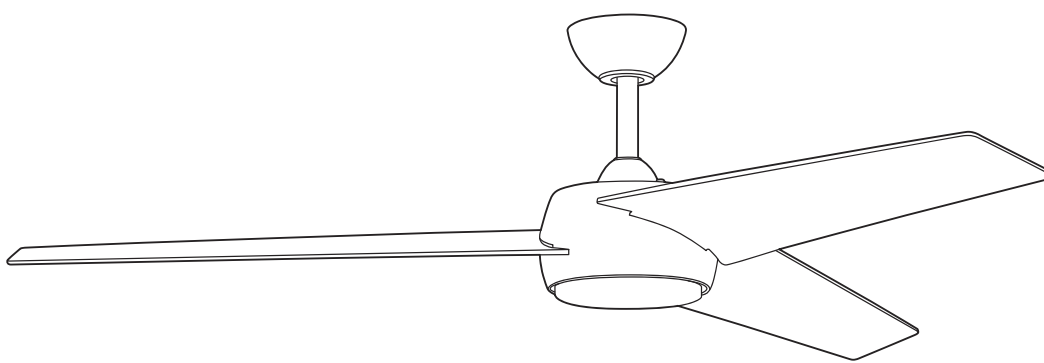
ITEM #2599786

# DOVENSHIRE LED CEILING FAN

MODEL # CGR60WW3LR

**Español p. 18**

**ATTACH YOUR RECEIPT HERE**



Purchase Date \_\_\_\_\_



**Questions, problems, missing parts?** Before returning to your retailer, call our customer service department at **1-800-643-0067**, 8 a.m. - 8 p.m., EST, Monday - Sunday.

## TABLE OF CONTENTS

---

Safety Information .....	2
Package Contents .....	4
Hardware Contents .....	5
Preparation .....	5
Initial Installation .....	5
Wiring .....	9
Final Installation .....	11
Operating Instructions .....	15
Care and Maintenance .....	16
Troubleshooting.....	16
Limited Lifetime Warranty .....	17
Replacement Parts List .....	17



## SAFETY INFORMATION

---

### FCC Compliance Notice

Modifications not approved by the party responsible for compliance could void the user's authority to operate the equipment.

This device complies with Part 15 of the FCC Rules. Operation is subject to the following two conditions: (1) this device may not cause harmful interference, (2) this device must accept any interference received, including interference that may cause undesired operation.

**NOTE:** This equipment has been tested and found to comply with the limits for a Class B digital device, pursuant to Part 15 of the FCC Rules. These limits are designed to provide reasonable protection against harmful interference in a residential installation. This equipment generates, uses and can radiate radio frequency energy and, if not installed and used in accordance with the instructions, may cause harmful interference to radio communications. However, there is no guarantee that interference will not occur in a particular installation. If this equipment does cause harmful interference to radio or television reception, which can be determined by turning the equipment off and on, the user is encouraged to try to correct the interference by one or more of the following measures:

- \* Reorient or relocate the receiving antenna.
- \* Increase the separation between the equipment and receiver.
- \* Connect the equipment into an outlet on a circuit different from that to which the receiver is connected.
- \* Consult the dealer or an experienced radio/TV technician for help.

Distributed by: Litex Industries Inc., P.O. Box 535639, Grand Prairie, TX, 75053; 1-800-527-1292

---

### READ AND SAVE THESE INSTRUCTIONS

- Do not discard fan carton or foam inserts. Should this fan need to be returned to the factory for repairs, it must be shipped in its original packaging to ensure proper protection against damage that might exceed the initial cause for return.
- Make sure all electrical connections comply with local codes, ordinances, the National Electrical Code and ANSI/NFPA 70-1999. Hire a qualified electrician or consult a do-it-yourself wiring handbook if you are unfamiliar with installing electrical wiring.
- Make sure the installation site you choose allows a minimum clearance of 7 ft. from the blades to the floor and at least 30 in. from the end of the blades to any obstruction.
- After you install the fan, make sure all connections are secure to prevent the fan from falling.
- The net weight of this fan is: 13.45 lbs.

## WARNING



To reduce the risk of fire, electrical shock or personal injury, mount fan to outlet box marked "ACCEPTABLE FOR FAN SUPPORT OF 35 LBS. OR LESS" and use mounting screws provided with the outlet box. Most outlet boxes commonly used for the support of lighting fixtures are not acceptable for fan support and may need to be replaced. Consult a qualified electrician if in doubt.

When mounting fan to a ceiling outlet box, use a METAL octagonal outlet box; do NOT use a plastic outlet box. Secure the outlet box directly to the building structure. The outlet box and its support must be able to support the moving weight of the fan (at least 35 lbs.).

To avoid personal injury, the use of gloves may be necessary while handling fan parts with sharp edges.

To avoid personal injury, the use of gloves may be necessary while handling fan parts with sharp edges.

To reduce the risk of fire, electrical shock or personal injury, wire connectors provided with this fan are designed to accept only one 12-gauge house wire and two lead wires from the fan. If your house wire is larger than 12-gauge or there is more than one house wire to connect to the corresponding fan lead wires, consult an electrician for the proper size wire connectors to use.

To reduce the risk of fire or electrical shock, do not use the fan with any solid state speed control device or control fan speed with a full range dimmer switch.

To reduce the risk of fire, electrical shock or personal injury, do not bend the blades when installing them, balancing the blades or cleaning the fan. Do not insert objects between the rotating fan blades.

To reduce the risk of personal injury, use ONLY parts provided with this fan. The use of parts OTHER than those provided with this fan will void the warranty.

Before installation, be sure to shut off electricity at main switch or circuit breaker in order to avoid electrical shock.

When using an existing outlet box, make sure the outlet box is securely attached to the building structure and can support the full weight of the fan. Failure to do this can result in serious injury or death. The stability of the outlet box is essential in minimizing wobble and noise in the fan after installation is complete.

To reduce the risk of serious bodily injury, DO NOT use power tools to assemble any part of the fan, including the blades.

## CAUTION

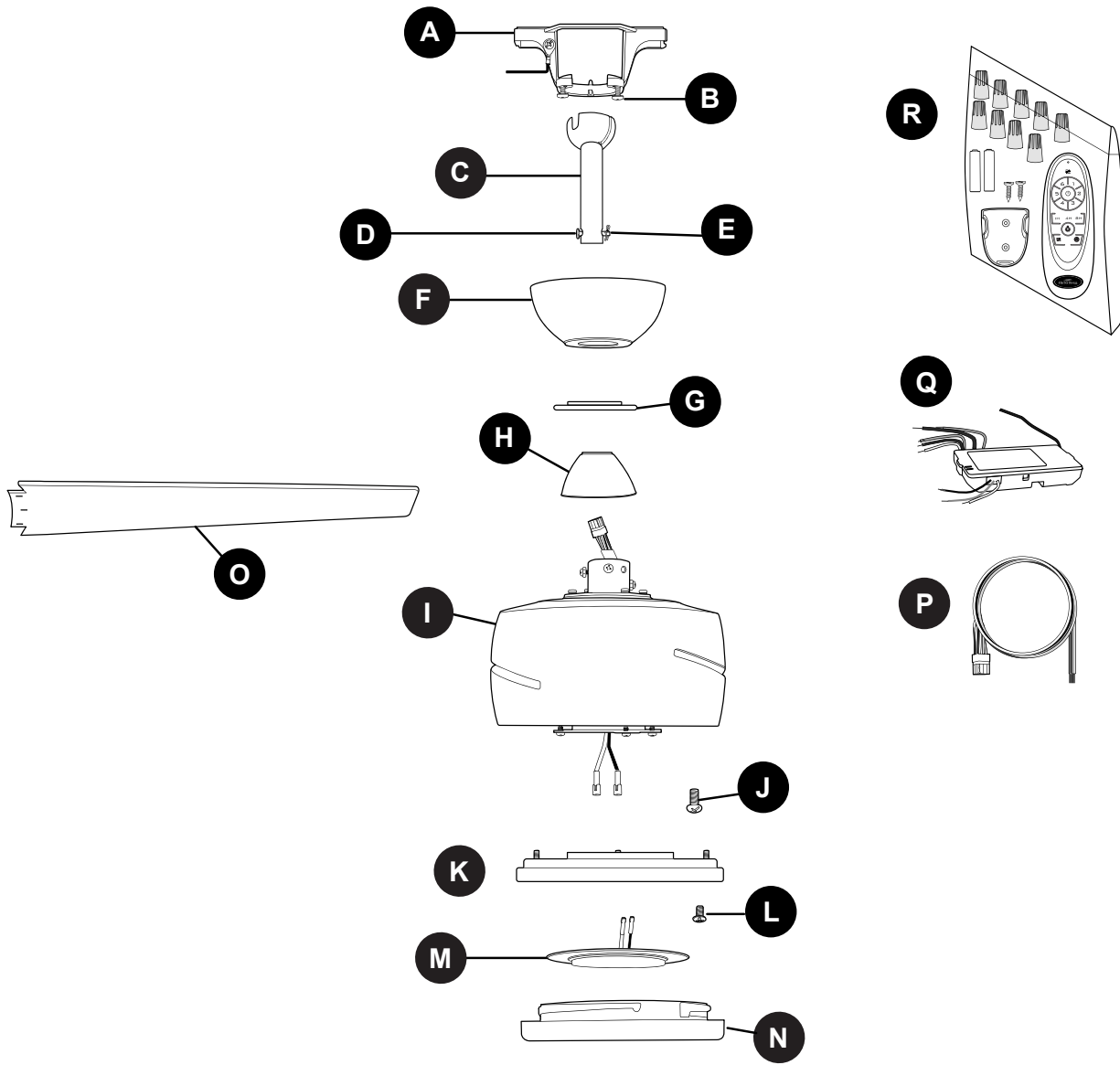
Be sure outlet box is properly grounded and that a ground wire (green or bare) is present.

Before beginning installation, carefully check all screws, bolts and nuts on fan motor assembly to ensure that they are secured.

Do NOT tamper with or attempt to repair LED component. The light source is designed for this specific application and should not be serviced by untrained personnel. If any servicing is required, call our customer service department.

**The DC Motor will not operate until blades are installed.**

## PACKAGE CONTENTS



PART	DESCRIPTION	QUANTITY
A	Mounting Bracket	1
B	Canopy Mounting Screw (preassembled)	2
C	Downrod	1
D	Pin (preassembled)	1
E	Clip (preassembled)	
F	Canopy	1
G	Canopy Cover	1
H	Yoke Cover	1
I	Motor Assembly	1

PART	DESCRIPTION	QUANTITY
J	Motor Plate Screw (preassembled)	3
K	Fitter Plate	1
L	Fitter Plate Screw (preassembled)	3
M	LED Light Kit	1
N	Shade	1
O	Blade	3
P	Wiring	1
Q	Remote Control Receiver	1
R	Remote Pack	1

**⚠ IMPORTANT REMINDER:** You must use the parts provided with this fan for proper installation and safety.

## HARDWARE CONTENTS (shown actual size)

---

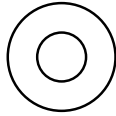
AA



Blade  
Screw

Qty. 9  
+ 1 extra

BB



Fiber  
Blade  
Washer

Qty. 9  
+ 1 extra

## PREPARATION

---

Before beginning assembly of product, make sure all parts are present. Place motor on carpet or on foam to avoid damage to finish. Compare parts with package contents list and hardware contents list. If any part is missing or damaged, do not attempt to assemble the product.

**Estimated Assembly Time: 120 minutes**

Tools Required for Assembly (not included): Electrical Tape, Phillips Screwdriver, Pliers, Safety Glasses, Stepladder, Wire Strippers and Precision Screwdriver (0 x 2 in.).

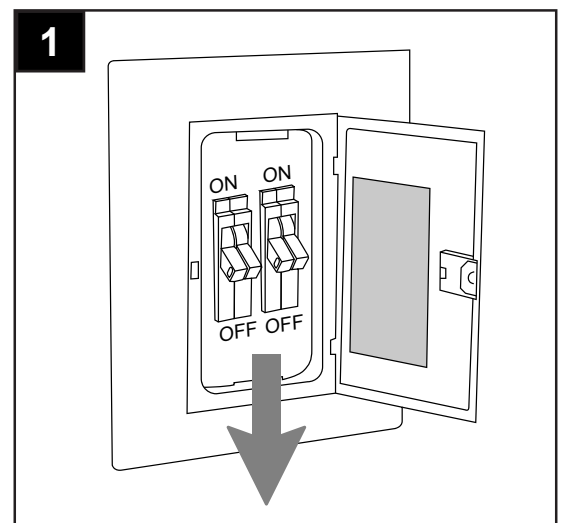
Helpful Tools (not included): AC Tester Light, Tape Measure, Do-It-Yourself Wiring Handbook and Wire Cutters.

## INITIAL INSTALLATION

---

1. Turn off circuit breakers and wall switch to the fan supply line leads.

**⚠ DANGER:** Failure to disconnect power supply prior to installation may result in serious injury or death.



## INITIAL INSTALLATION

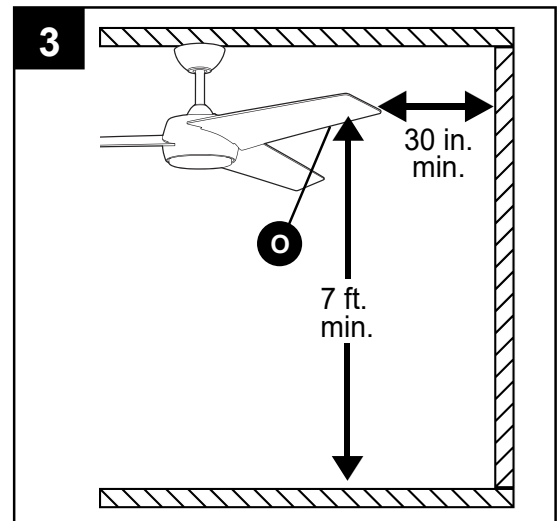
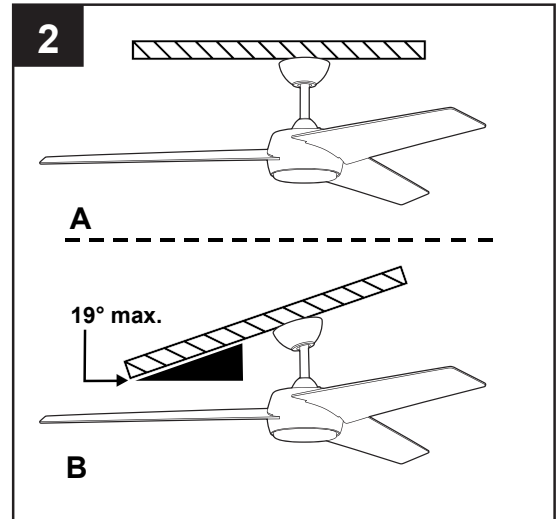
- Determine mounting method to use.
  - Standard mount
  - Angle mount

**IMPORTANT:** If using the angle mount, ensure the ceiling angle is not steeper than  $19^\circ$ .

**NOTE:** Closemount option is not available for this fan.

**\*Helpful Hint:** Downrod-style mounting is best suited for ceilings 8 ft. high or higher. For taller ceilings you may want to use a longer downrod (not included). Angle-style mounting is best suited for angled or vaulted ceilings. A longer downrod is sometimes necessary to ensure proper blade clearance.

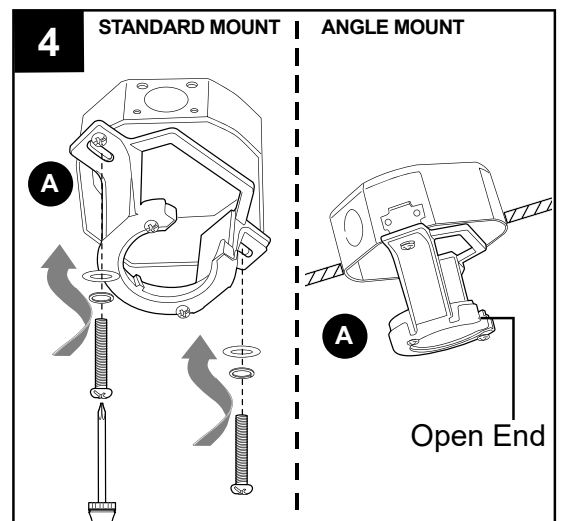
- Check to make sure blades (O) will be at least 30 inches from any obstruction at least 7 ft. above the floor.



- Secure mounting bracket (A) to outlet box (not included) using screws, spring washers and flat washers provided with the outlet box.

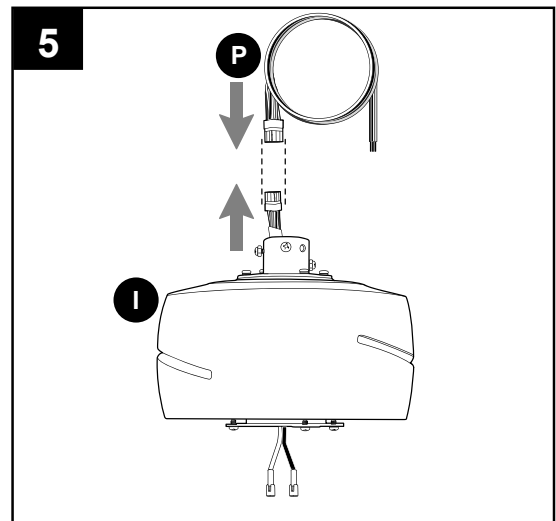
**\*NOTE:** It is very important you use the proper hardware when installing the mounting bracket (A) as this will support the fan.

**IMPORTANT:** If using the angle mount, make sure open end of mounting bracket (A) is installed facing the higher point of the ceiling, and ensure the ceiling angle is not steeper than  $19^\circ$ .

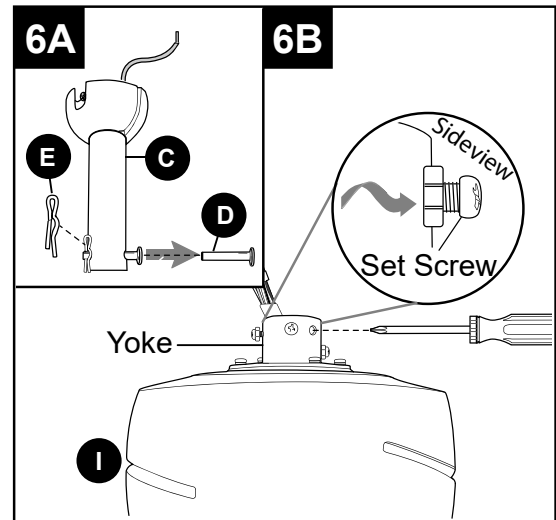


## INITIAL INSTALLATION

5. Connect male plug from motor assembly (I) to female plug from wiring (P), matching up the colors on the plugs for correct fit. Make sure plugs connect tightly.

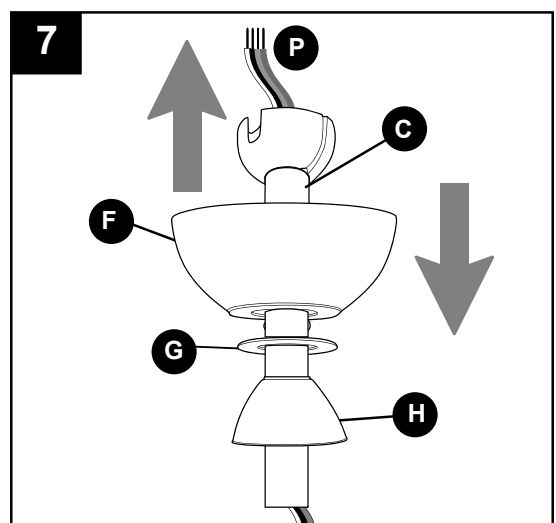


- 6a. Remove pin (D) and clip (E) from downrod (C).
- 6b. Partially loosen preassembled set screws and nuts in yoke at top of motor assembly (I).



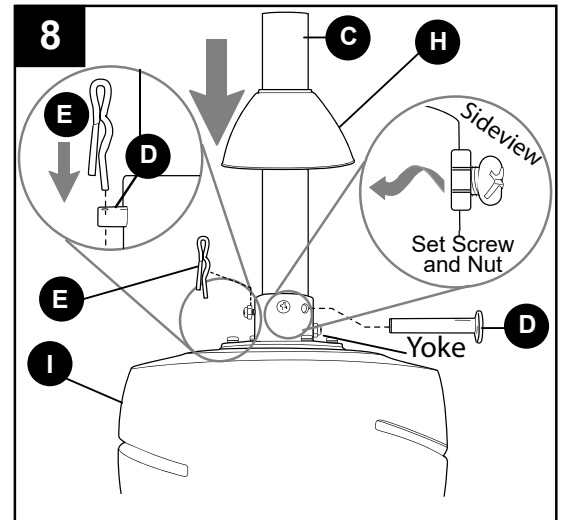
7. Insert downrod (C) through canopy (F), canopy cover (G) and yoke cover (H). **NOTE:** Canopy cover (G) must be turned with the shiny side *toward* the motor assembly (I).

Then, thread wiring (P) from motor assembly (I) through downrod (C).



## INITIAL INSTALLATION

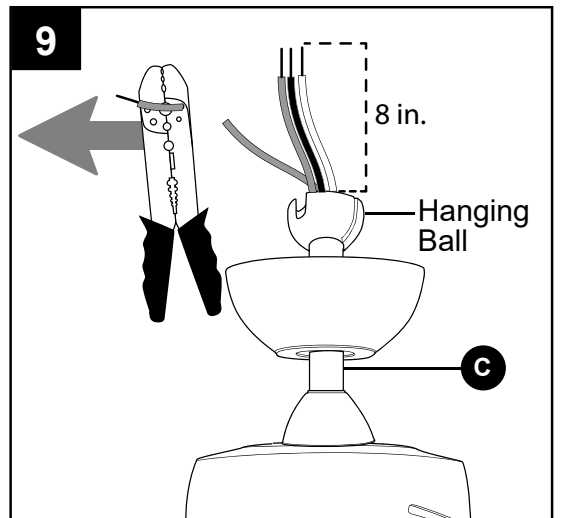
- Slip downrod (C) into motor assembly yoke, align holes and re-install pin (D) and clip (E). Tighten set screws in motor assembly yoke and then tighten preassembled nuts on the set screws. Then, slide yoke cover (H) down until it rests on top of motor assembly (I).



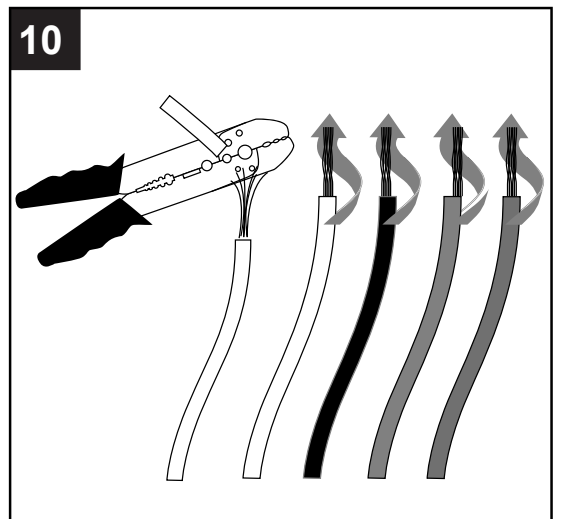
- Depending on the length of downrod you use, you may need to cut the lead wires back to simplify the wiring. If you decide to cut back the lead wires, it is suggested you do so in the following manner:

Take the lead wires and make sure you have pulled them all the way through the top of the downrod. Start at the TOP of the hanging ball on the downrod and measure 8 in. of lead wire, then cut the excess wire off with wire cutters (not included).

**NOTE:** If you do *not* cut back the lead wires, **Step 10 is not necessary and you may proceed to Step 11 instead.**



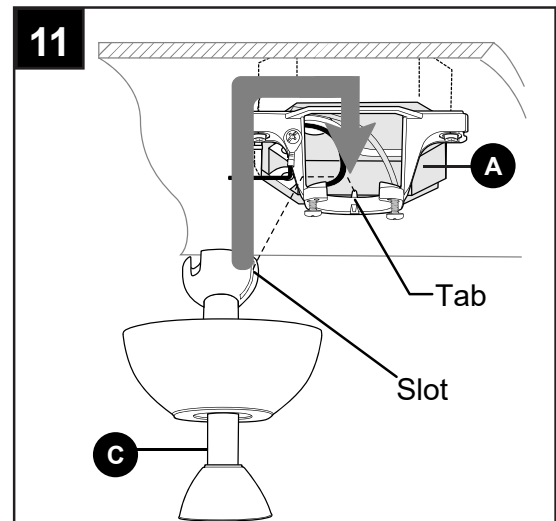
- If you decided to cut back the lead wires in Step 8, strip 1/2 in. of insulation from end of each wire -- WHITE, BLUE, PINK, GREY AND RED (if applicable). Twist stripped ends of each strand of wire within the insulation with pliers (not included).



## INITIAL INSTALLATION

11. Install hanging ball of downrod (C) into opening of mounting bracket (A). Align one of the slots in hanging ball with tab in mounting bracket (A).

**⚠ DANGER:** Failure to align one of the slots in the ball with the tab may result in serious injury or death.



## WIRING

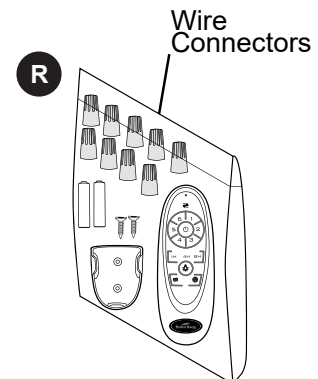
**⚠ WARNING:** To reduce the risk of fire, electrical shock or personal injury, wire connectors provided with this fan are designed to accept only one 12-gauge house wire and two lead wires from the fan. If your house wire is larger than 12-gauge or there is more than one house wire to connect to the corresponding fan lead wires, consult an electrician for the proper size wire connectors to use.

**⚠ CAUTION:** Be sure outlet box is properly grounded and that a ground (green or bare) wire is present.

**⚠ WARNING:** If house wires are different colors than referred to in the following steps, stop immediately. A professional electrician is recommended to determine wiring.

**⚠ WARNING:** Using a full range dimmer switch (not included) to control fan speed will cause a loud humming noise from fan. To reduce the risk of fire or electrical shock, do NOT use a full range dimmer switch to control fan speed.

**IMPORTANT:** Make the necessary wiring connections for remote control operation as detailed on next page. For each wire connection, use one of the wire connectors from the remote pack (R), making sure to screw wire connector on in a clockwise direction.



## WIRING

1. Connect all GROUND (GREEN) wires from fan (on downrod (C), if applicable, mounting bracket (A)) and remote control receiver (Q) to BARE/GREEN supply wire from ceiling.

Connect BLACK wire (labeled AC IN L) from remote control receiver (Q) to BLACK supply wire from ceiling.

Connect WHITE wire (labeled AC IN N) from remote control receiver (Q) to WHITE supply wire from ceiling.

Connect RED wire (labeled TO MOTOR) from remote control receiver (Q) to RED wire from motor assembly (I).

Connect GRAY wire (labeled TO MOTOR) from remote control receiver (Q) to GRAY wire from motor assembly (I).

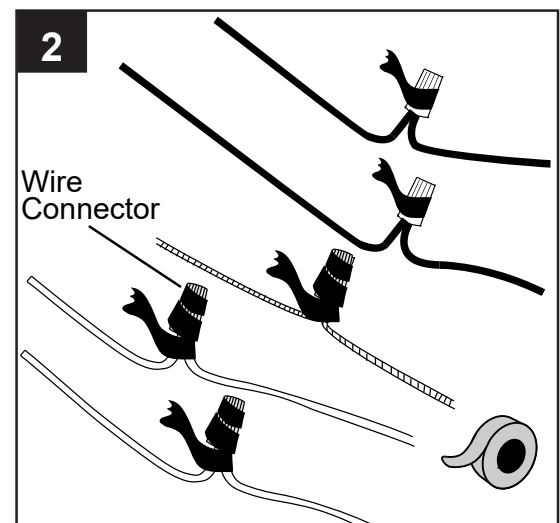
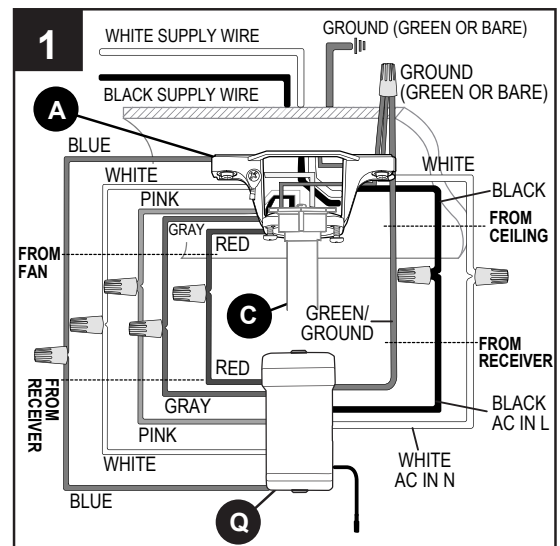
Connect PINK wire (labeled FOR MOTOR) from remote control receiver (Q) to PINK wire from motor assembly (I).

Connect BLUE wire (labeled FOR LIGHT L) from remote control receiver (Q) to BLUE wire from motor assembly (I).

Connect WHITE wire (labeled FOR LIGHT N) from remote control receiver (Q) to WHITE wire from motor assembly (I).

2. Wrap electrical tape (not included) around each individual wire connector down to the wire.

**⚠ WARNING:** Make sure no bare wire or wire strands are visible after making connections. Place GREEN and WHITE connections on opposite side of the outlet box from the BLACK and BLUE (if applicable) connections.

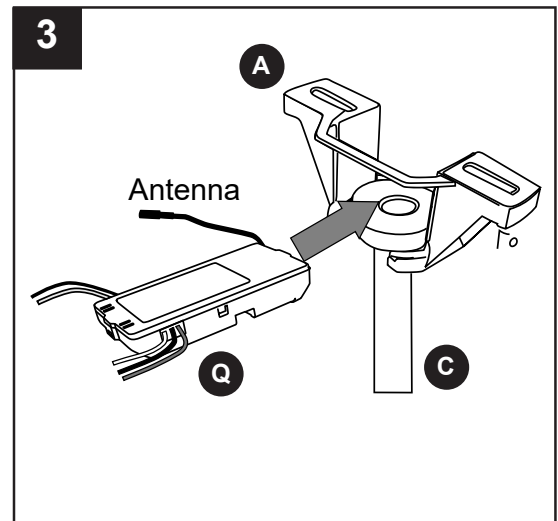


## WIRING

3. Gently slide remote control receiver (Q) flat-side up into mounting bracket (A). Turn spliced/taped wires upward and gently push wires and wire connectors (CC) into outlet box. Let antenna from remote control receiver (Q) hang to the side.

**NOTE:** The remote control included with this fan meets the following requirements:

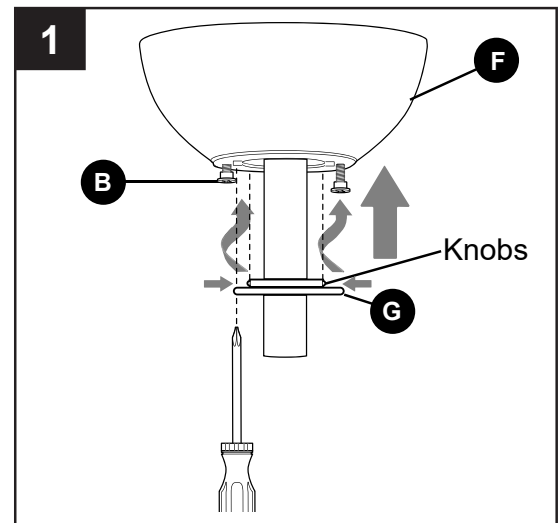
- a. Not for use with solid state fans.
- b. Electrical rating: 120V / 60 Hz;  
motor amps: 1.25 MAX.



## FINAL INSTALLATION

1. Locate two canopy mounting screws (B) on underside of mounting bracket (A) and remove canopy mounting screw (B) closest to the open end of the mounting bracket (A). Partially loosen the other canopy mounting screw (B). Lift canopy (F) to mounting bracket (A). Place rounded part of slotted hole in canopy (F) over loosened canopy mounting screw (B) and push up. Twist canopy (F) to lock. Re-insert canopy mounting screw (B) that was removed, then tighten both canopy mounting screws (B).

Use arrows on inside of canopy cover (G) to locate knobs on center ring of canopy cover (G). Slide canopy cover (G) up to canopy (F), aligning knobs on canopy cover (G) with openings in bottom of canopy (F). Press up firmly on the canopy cover (G) until it fits into the bottom of the canopy (F). Twist canopy cover (G) to lock.

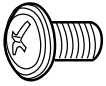
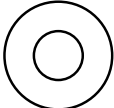


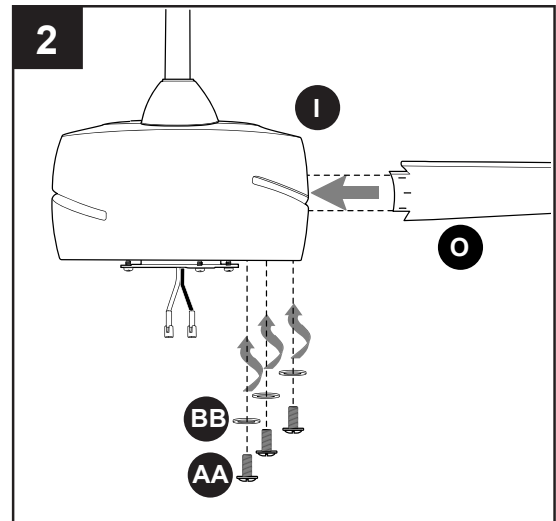
## FINAL INSTALLATION

2. **⚠ DANGER:** To reduce the risk of serious bodily injury, DO NOT use power tools to assemble the blades (O). If screws are overtightened, blades (O) may crack and break.

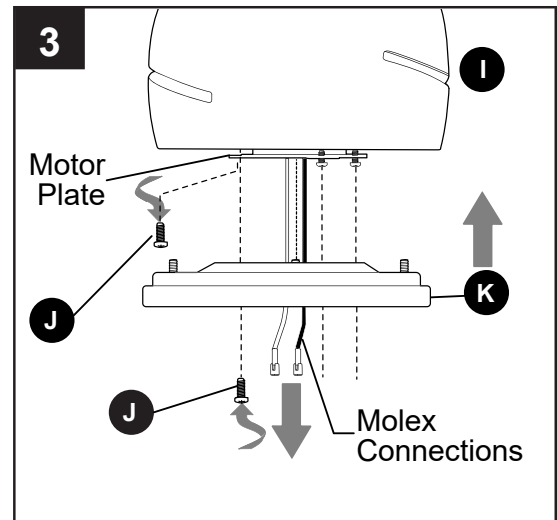
Insert the blade (O) through the slot on the band of the motor assembly (I). Align holes in blade (O) with holes in plate on underside of motor. Attach the blade (O) with blade screws (AA) and fiber blade washers (BB). Then, tighten each blade screw (AA), starting with the one in the middle. Repeat for remaining blades (O).

### Hardware Used

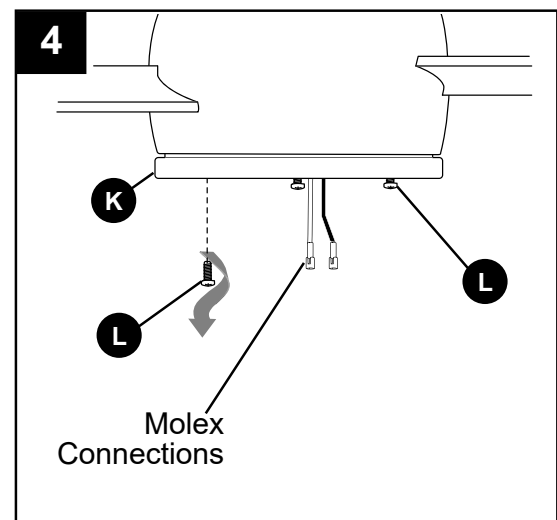
<b>AA</b> Blade Screw		x 9
<b>BB</b> Fiber Blade Washer		x 9



3. Remove one motor plate screw (J) from motor plate on underside of motor assembly (I) and partially loosen the other two motor plate screws (J). Align slotted holes in fitter plate (K) with loosened motor plate screws, allowing molex connections from motor housing (I) to come through hole in fitter plate (K). Twist fitter plate (K) to lock. Re-insert the motor plate screw (J) that was removed and securely tighten all three motor plate screws (J).

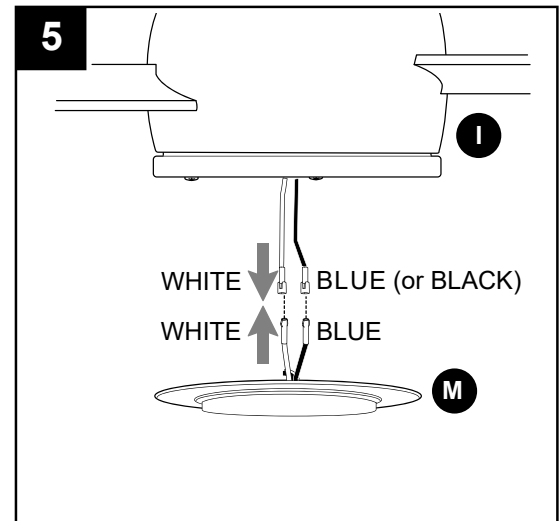


4. Remove one fitter plate screw (L) from underside of fitter plate (K) and partially loosen the other two fitter plate screws (L).



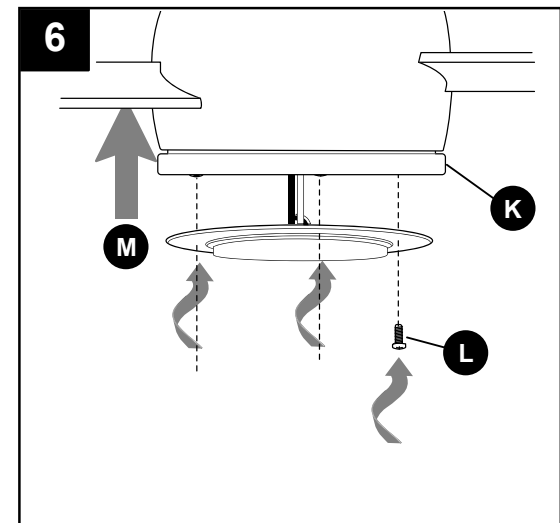
## FINAL INSTALLATION

5. Connect WHITE wire from LED light kit (M) to WHITE wire from motor assembly (I). Connect BLUE wire from LED light kit (M) to BLUE (or BLACK) wire from motor assembly (I). Make sure molex connections snap together securely.



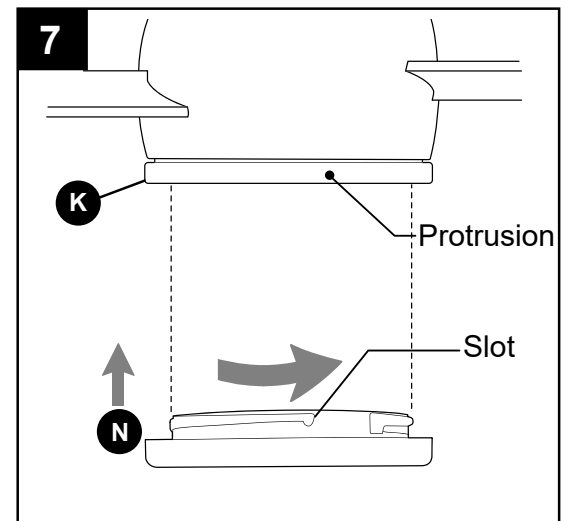
6. Carefully arrange wiring within the fitter plate (K) to ensure wires do not get pinched when attaching the LED light kit (M).

Align slotted holes in LED light kit (M) with loosened fitter plate screws (L) on fitter plate (N). Twist LED light kit (M) to lock in place. Re-insert the previously removed fitter plate screw (L) and securely tighten all fitter plate screws (L).



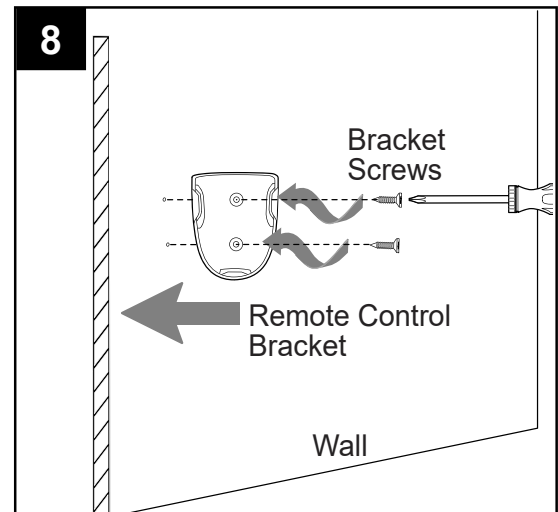
7. Align slots on shade (N) with protrusions on underside of fitter plate (K). Turn shade (N) *clockwise* until it no longer turns.

**NOTE:** Pull down gently on the shade (N) to make sure it is secured completely.



## FINAL INSTALLATION

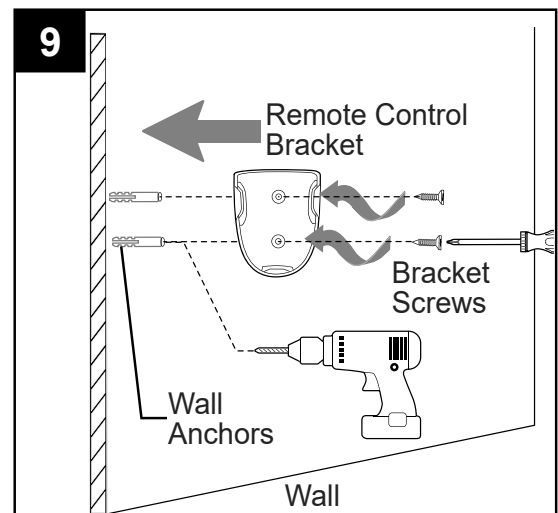
8. If you wish to use the remote control bracket from remote pack (R) on a wood surface, install bracket screws from remote pack (R) through bracket and into the desired installation site.



9. **If mounting surface is drywall**, mark the location of the holes using a pencil or a marker (not included). Use a 7/32 in. drill bit (not included) to drill two pilot holes in drywall at marked locations.

Position plastic anchor in each pilot hole. Gently tap plastic anchors with a hammer (not included) until flush with wall surface. Screw bracket screws into plastic anchor.

The remote control transmitter from remote pack (R) rests inside the bracket.



## OPERATING INSTRUCTIONS

**⚠ CAUTION:** “DO NOT DISPOSE OF BATTERIES IN FIRE, BATTERIES MAY EXPLODE OR LEAK.” - When disposing of household alkaline batteries, it is best to check with your local and state recycling or household hazardous waste coordinators concerning the specifics of the program in your area. You may also locate a recycling center by calling 1-800-8-BATTERY or 1-877-2-RECYCLE or visit [www.epa.gov/epawaste/index.htm](http://www.epa.gov/epawaste/index.htm) or [www.earth911.org](http://www.earth911.org) for more information.

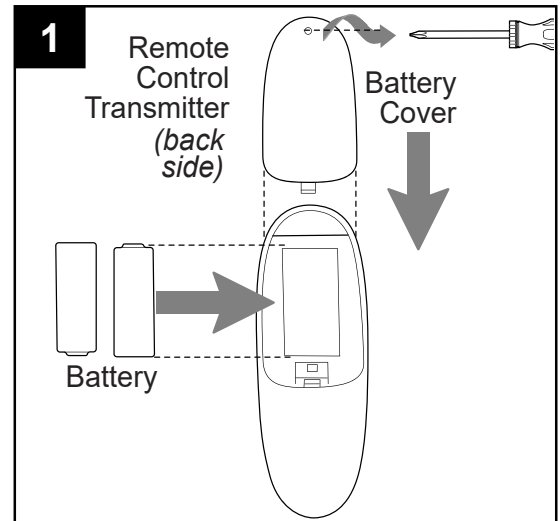
**IMPORTANT:** To prevent damage to remote control transmitter, remove the battery if not used for long periods. Store the remote control transmitter away from excess heat or humidity.

1. Remove screw on the back of remote control transmitter in remote pack (R) to remove battery cover. Install two AAA batteries (included).

Replace battery cover on remote control transmitter with screw just removed.




**⚠ WARNING: Choking Hazard** - Small parts. Keep battery away from children.

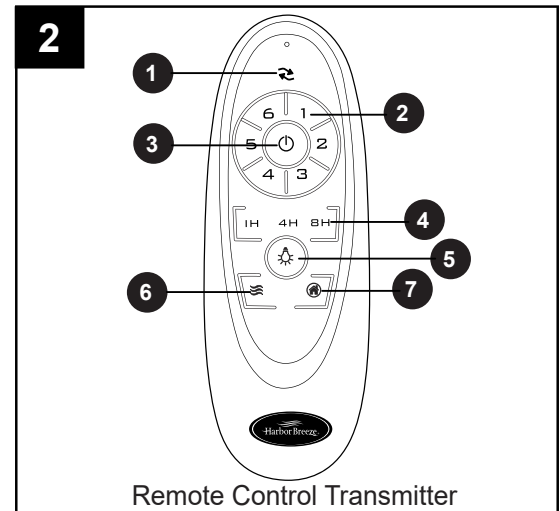
**NOTE:** Battery is NOT rechargeable. Remove battery with low or no charge and dispose of properly.



2. Operation buttons on the panel of the remote control transmitter:

- 1 - Reverse function for winter & summer
- 2 - Fan speeds: 1 (lowest) to 6 (highest)
- 3 - To turn fan ON or OFF
- 4 - Timer: Fan stops after 1h/4h/8h
- 5 - To turn light ON or OFF
- 6 - Breeze: fan speeds automatic cycle between 1 to 6 speeds.
- 7 - Vacation mode: switch on the light kit 5 minutes each 2 hours.

Tap  button quickly to turn lights off or on. Hold  button down to increase or decrease lights. If you press  button in excess of 0.7 seconds, it becomes a dimmer. The lights vary cyclically in 8 seconds. The light button has an auto resume function, which keeps the light at the same brightness as the last time it was turned off.



## CARE AND MAINTENANCE

At least twice each year, lower canopy (F) to check downrod (C) assembly, and then tighten all screws on fan. Clean motor assembly (I) with only a soft brush or lint-free cloth to avoid scratching the finish. Clean blades (O) with a lint-free cloth. You may occasionally apply a light coat of furniture polish to wood blades for added protection.

**IMPORTANT:** Shut off main power supply before beginning any maintenance. Do not use water or a damp cloth to clean the ceiling fan.

Total wattage for this fan is 18 watts; do not attempt to replace the LEDs.

## TROUBLESHOOTING

**⚠ WARNING:** Before beginning work, shut off the power supply to avoid electrical shock.

PROBLEM	POSSIBLE CAUSE	CORRECTIVE ACTION
Fan does not move.	<ol style="list-style-type: none"> <li>1. Power is off or fuse is blown.</li> <li>2. Faulty wire connection.</li> <li>3. Blades are not installed.</li> </ol>	<ol style="list-style-type: none"> <li>1. Turn power on or check fuse.</li> <li>2. Turn power off. Loosen canopy and check all connections.</li> <li>3. Attach blades to fan.</li> </ol>
Noisy operation.	<ol style="list-style-type: none"> <li>1. Blades are loose.</li> <li>2. Cracked blade.</li> <li>3. Fan is new.</li> </ol>	<ol style="list-style-type: none"> <li>1. Tighten all blade screws.</li> <li>2. Replace blade.</li> <li>3. Allow fan a "break in" period of a few days, especially when running the fan at Medium and High speeds.</li> </ol>
Excessive wobbling.	<ol style="list-style-type: none"> <li>1. Blades are loose.</li> <li>2. Unbalanced blades.</li> <li>3. Fan not securely mounted.</li> <li>4. Fan too close to vaulted ceiling.</li> <li>5. Set screw(s) on motor assembly yoke is (are) not tightened properly.</li> </ol>	<ol style="list-style-type: none"> <li>1. Tighten all blade screws/washers.</li> <li>2. Switch one blade with a blade from the opposite side.</li> <li>3. Turn power off. Carefully loosen canopy and verify that mounting bracket is secure.</li> <li>4. Use a longer downrod or move fan to another location.</li> <li>5. Tighten yoke set screw(s) securely.</li> </ol>
Fan operates but light fails.	<ol style="list-style-type: none"> <li>1. Wires in canopy not wired properly.</li> <li>2. Wall switch to fan is off.</li> </ol>	<ol style="list-style-type: none"> <li>1. Check wires in canopy and, if necessary, re-wire according to instructions on pages 9 and 10.</li> <li>2. Make sure that wall switch to fan is on.</li> </ol>

**NOTE:** A small amount of "wobble" is normal and should not be considered a defect.

## LIMITED LIFETIME WARRANTY

The distributor warrants this fan to be free from defects in workmanship and materials present at time of shipment from the factory for Lifetime limited from the date of purchase. This warranty applies only to the original purchaser. The distributor agrees to correct any defect at no charge or, at our option, replace the ceiling fan with a comparable or superior model.

To obtain warranty service, present a copy of your sales receipt as proof of purchase. All cost of removal and reinstallation are the express responsibility of the purchaser. Any damage to the ceiling fan by accident, misuse or improper installation, or by using parts not produced by the manufacturer of this fan or affixing accessories not produced by the manufacturer of this fan, are the purchaser's own responsibility. The distributor assumes no responsibility whatsoever for fan installation during the limited lifetime warranty. Any service performed by an unauthorized person will render the warranty invalid.

Due to varying climatic conditions, this warranty does not cover changes in brass finish, rusting, pitting, tarnishing, corroding or peeling. Brass finish fans maintain their beauty when protected from varying weather conditions. Any glass provided with this fan is not covered by the warranty.

Any replacement of defective parts for the ceiling fan must be reported within the first year from the date of purchase. For the balance of the warranty, call our customer service department (at **1-800-643-0067**) for return authorization and shipping instructions so that we may repair or replace the ceiling fan. Any fan or parts returned improperly packaged is/are the sole responsibility of the purchaser. There is no further express warranty. The distributor disclaims any and all implied warranties. The duration of any implied warranty which cannot be disclaimed is limited to the limited lifetime period as specified in our warranty. The distributor shall not be liable for incidental, consequential or special damages arising at or in connection with product use or performance except as may otherwise be accorded by law. This warranty gives you specific legal rights and you may also have other rights which vary from state to state. This warranty supersedes all prior warranties.

## REPLACEMENT PARTS LIST

For replacement parts, call our customer service department at **1-800-643-0067**, 8 a.m. - 8 p.m., EST, Monday - Sunday.

PART	DESCRIPTION	PART #
A	Mounting Bracket	2599786-A
C	Downrod	2599786-C
F	Canopy	2599786-F
O	Blade	2599786-J

