



website: <http://www.lgservice.com>
e-mail: <http://www.lgservice.com/techsup.html>

LRBP1031T **LRBP1031W** **LRBP1031NI**

REFRIGERATOR- FREEZER

User's Guide (2~16)

Please read this User's Guide carefully before operating and keep it handy for reference at all times.

REFRIGERATEUR- CONGELATEUR

Manuel de l'utilisateur (18~32)

Lisez avec attention ce Manuel de l'utilisateur avant d'utiliser le réfrigérateur et gardez-le toujours pour toute référence.

FRIGORIFICO- CONGELADOR

Instrucciones de uso (34~48)

Lea estas instrucciones de uso con atención antes de poner el refrigerador en funcionamiento y manténgalo siempre a mano para consultar en cualquier momento.

TABLE OF CONTENTS

REFRIGERATOR SAFETY	3
INSTALLING YOUR REFRIGERATOR	4
Unpacking Your Refrigerator	4
Installation	4
Electrical Requirements	5
Registration	5
FEATURES CHART	6
OPERATION	7
Starting	7
Temperature Control	7
Quick Freeze	7
Vacation	8
Self Test	8
Door Alarm	8
Ice Making	8
Defrosting	8
SUGGESTIONS ON FOOD STORAGE	9
LAMP REPLACEMENT	10
GENERAL INFORMATION	10
CLEANING YOUR REFRIGERATOR	11
REPLACEMENT OF DOOR OPENING TYPE	12
BEFORE CALLING FOR SERVICE	14
TROUBLESHOOTING	15

REFRIGERATOR SAFETY

Your safety and the safety of others is very important.

We have provided many important safety messages in this manual and on your appliance. Always read and obey all safety messages.



This is the safety alert symbol.

This symbol alerts you to hazards that can kill or hurt you and others.

All safety messages will be preceded by the safety alert symbol and the word **DANGER** or **WARNING**. These words mean:

⚠ DANGER

You will be killed or seriously injured if you don't follow instructions.

⚠ WARNING

You can be killed or seriously injured if you don't follow instructions.

All safety messages will identify the hazard, tell you how to reduce the chance of injury, and tell you what can happen if the instructions are not followed.

IMPORTANT SAFETY INSTRUCTIONS

WARNING: To reduce the risk of fire, electric shock, or injury when using your refrigerator, follow these basic precautions:

- Plug into a grounded 3-prong outlet.
- Do not remove ground prong.
- Do not use an adapter.
- Do not use an extension cord.
- Disconnect power before servicing.
- Replace all panels before operating.
- Remove doors from your old refrigerator.
- Use nonflammable cleaner.
- Keep flammable materials and vapors, such as gasoline, away from refrigerator.
- Use two or more people to move refrigerator using handles and install refrigerator.
- Disconnect power before installing ice maker.
(on some models)

SAVE THESE INSTRUCTIONS

Proper Disposal of Your Old Refrigerator

⚠ DANGER

Suffocation Hazard

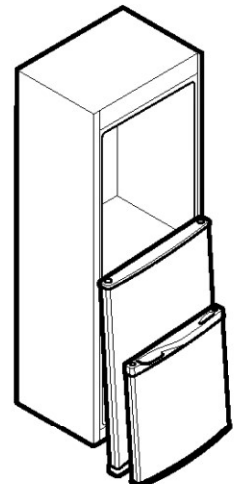
Remove doors from your old refrigerator.

Failure to do so can result in death or brain damage.

IMPORTANT - Child entrapment and suffocation are not problems of the past. Junked or abandoned refrigerators are still dangerous - even if they will sit for just a few days. If you are getting rid of your old refrigerator, please follow these instructions to help prevent accidents.

Before you throw away your old refrigerator or freezer:

- Take off the doors.
- Leave the shelves in place so that children may not easily climb inside.



INSTALLING YOUR REFRIGERATOR

⚠️ WARNING

Excessive Weight Hazard

Use two or more people to move and install refrigerator.

Failure to do so can result in back or other injury.

Unpacking Your Refrigerator

Remove tape and any temporary labels from your refrigerator before using. Do not remove any warning type labels, the model and serial number label, or the Tech Sheet that is attached to back wall of the refrigerator.

To remove any remaining tape or glue, rub the area briskly with your thumb. Tape or glue residue can also be easily removed by rubbing a small amount of liquid dish soap over the adhesive with your fingers. Wipe with warm water and dry.

Do not use sharp instruments, rubbing alcohol, flammable fluids, or abrasive cleaners to remove tape or glue. These products can damage the surface of your refrigerator. For more information, see **Important Safety Instructions** in the **Refrigerator Safety** section.

Refrigerator shelves are installed in the shipping position.

Please reinstall shelves according to your individual storage needs.

When Moving Your Refrigerator:

Your refrigerator is heavy. When moving the refrigerator for cleaning or service, be sure to protect the floor.

Always pull the refrigerator straight out when moving it.

Do not wiggle or walk the refrigerator when trying to move it, as floor damage could occur.



⚠️ WARNING



Explosion Hazard

Keep flammable materials and vapors, such as gasoline, away from refrigerator. Failure to do so can result in death, explosion, or fire.

Installation

1. Avoid placing the unit near heat sources, direct sunlight, or moisture.
2. To avoid vibration, the unit must be leveled. If required, adjust the leveling screws to compensate for uneven floor. The front should be slightly higher than the rear to aid in door closing. Leveling screws can be turned easily by tipping the cabinet slightly. Turn the leveling screws clockwise () to raise the unit, counterclockwise () to lower it.
3. Install this appliance between 55 °F (13 °C) and 110 °F (43 °C.) If the temperature around the appliance is too low or high, cooling ability may lessen.

NEXT

1. Clean your refrigerator thoroughly and wipe off all dust accumulated during shipping.
2. Install accessories such as ice cube bin, drawers, shelves, etc., in their proper places. They are packed together to prevent possible damage during shipment.
3. Let your refrigerator run for 2 or 3 hours before putting food in it. Check the flow of cold air in the freezer compartment to ensure proper cooling. Your refrigerator is now ready for use.

Electrical Requirements

⚠ WARNING



Electrical Shock Hazard

Plug into a grounded 3-prong outlet.

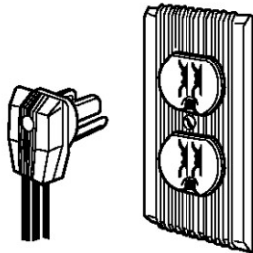
Do not remove ground prong.

Do not use an adapter.

Do not use an extension cord.

Failure to follow these instructions can result in death, fire, or electrical shock.

Before you move your refrigerator into its final location, it is important to make sure you have the proper electrical connection:



Recommended Grounding Method

A 115 Volt, 60 Hz., AC only 15 or 20 ampere fused, grounded electrical supply is required. It is recommended that a separate circuit serving only your refrigerator be provided. Use an outlet that cannot be turned off by a switch. Do not use an extension cord.

NOTE: Before performing any type of installation, cleaning, or removing a light bulb, turn the control, (Thermostat, Refrigerator, or Freezer Control depending on the model) to OFF and then disconnect the refrigerator from the electrical source. When you are finished, reconnect the refrigerator to the electrical source and reset the control (Thermostat, Refrigerator, or Freezer Control, depending on the model) to the desired setting.

Registration

The model and serial number are found on the rear of this unit. This number is unique to this unit and not available to others. You should record requested information here and retain this guide as a permanent record of your purchase. **Staple your receipt here.**

Date of Purchase : _____

Dealer Purchased From : _____

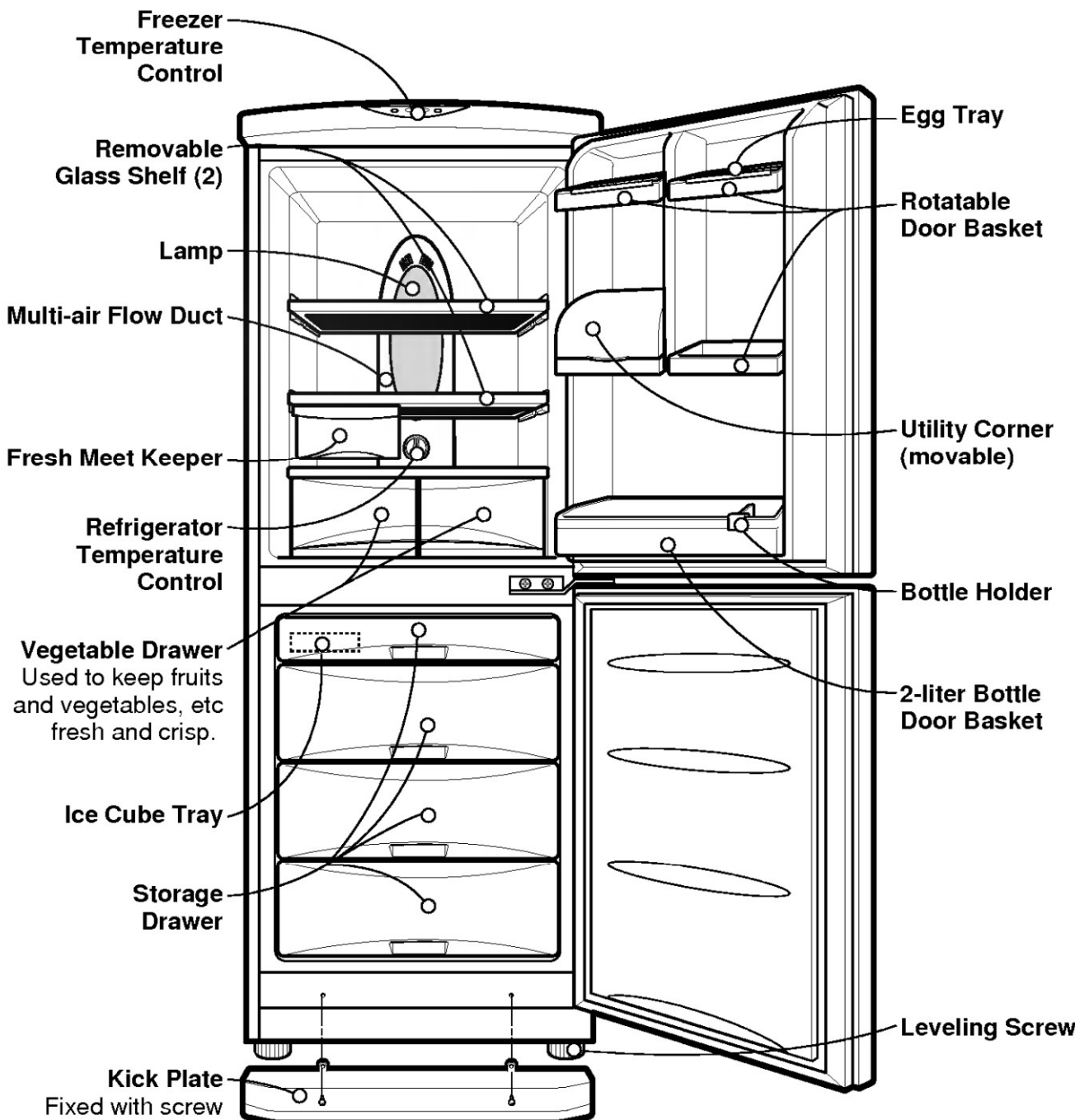
Dealer Address : _____

Dealer Phone No. : _____

Model No. : _____

Serial No. : _____

FEATURES CHART



OPERATION

Starting

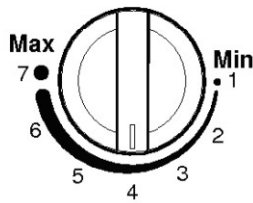
When your refrigerator is first installed, allow to run 2-3 hours to stabilize at normal operating temperature prior to filling it with fresh or frozen foods.

If operation is interrupted, wait 5 minutes before restarting.

Temperature Control

Your refrigerator has two controls that let you regulate the temperature in the refrigerator and freezer compartments.

REFRIGERATOR

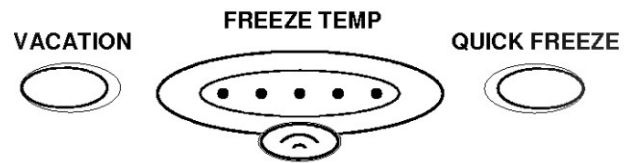


Temp. Control

- Initially set the TEMP. CONTROL at 4. Then adjust the compartment temperature according to your desire.
- If you want an inside temperature slightly less cold or colder, turn the knob towards MIN or MAX, respectively.
When the surrounding temperature is low, adjust the TEMP. CONTROL MIN.

FREEZER

- Freezer temperature control is on the top of the Refrigerator-Freezer. Initially set the Freeze Temp at mid-point. By pressing the Freeze Temp button, you can adjust the temperature of the Freezer as indicated by the numbers of lamps lit. (The setting is composed of five steps; 5 lamps lit indicates coldest.)
- When you starting the Refrigerator-Freezer or connecting the power plug to the outlet, temperature setting is automatically set to the mid-point.



- When the button is pushed, the buzzer sounds.

Quick Freeze

- This function is used when you want to freeze the foods quickly. Press the QUICK FREEZE button once, and then the quick freeze operation starts with the lamp lit. The quick freeze operation takes about 3 hours. When its operation ends, it automatically returns to the normal state. If you want to stop the quick freeze operation, press the QUICK FREEZE button once more, the lamp goes out, and the quick freeze operation stops and the refrigerator returns to the normal state.



Vacation

This function makes the Refrigerator-Freezer work in a power saving mode which is useful for when you are away on holiday, by reducing energy consumption as much as possible. Pressing VACATION starts operation with lamp ON and pressing it again stops the operation. For better functioning, you should set the TEMP. CONTROL to MIN.



Self Test

This function allows you to check for operational problems. If you think you have a problem with your Refrigerator-Freezer, then press the temperature control button:

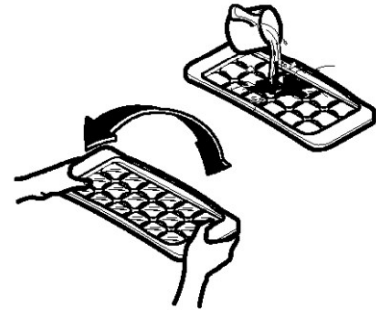
- Indicator lights move up or down, then there is no problem with your Refrigerator-Freezer.
- Indicator lights do not move up or down, then please leave the power connected and call your nearest service agent.

Door Alarm

When the door of the Refrigerator is left opened for a while, the alarm sounds.

Ice Making

- To make ice cubes, fill the ice tray to the water level and place it in the freezer.
- If ice cubes are required quickly, press the QUICK FREEZE button.
- To remove ice cubes, hold the tray at its ends and twist gently.



TIP

To remove ice cubes easily, run water on the tray before twisting.

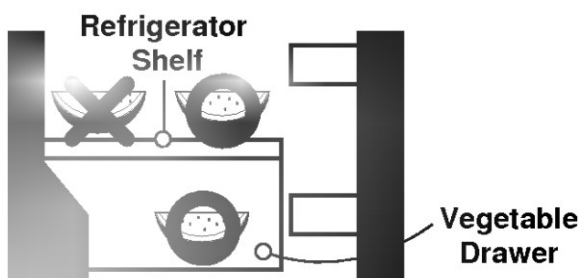
Defrosting

Defrosting takes place automatically. Defrosted water flows down to the evaporating tray which is located in the lower back side of the refrigerator and is evaporated automatically.

SUGGESTIONS ON FOOD STORAGE

Storing Food

- Do not store food which goes bad easily at low temperature, such as bananas, pineapples, and melons.
- Allow hot food to cool prior to storing. Placing hot food in the refrigerator could spoil other food, and lead to higher electric bills!
- When storing, wrap food in vinyl, or place in a covered container. This prevents moisture from evaporating, and helps food to keep its taste and nutritional value.
- **It is desirable to store moist food (especially vegetable and fruit) in the vegetable compartment.**
If it is necessary to store on a shelf of the refrigerator, put it close to the door away from the back wall of the refrigerator to avoid being frozen by the cool circulating in the refrigerator.



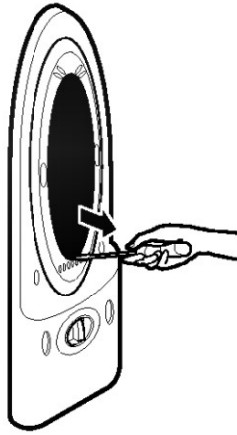
- Do not block air vents with food. Smooth circulation of cold air keeps the refrigerator temperature even.
- Do not open the door frequently. Opening the door lets warm air enter the refrigerator, and cause temperature to rise.
- To adjust the temperature control easily, do not store food near the temperature control dial.
- Never keep too many foods in door rack, as this may stop the door from closing fully.
- Do not store bottles in the freezer compartment - they may break when frozen.
- Do not refreeze food that has been thawed. This causes loss of taste and nutritional value.

NOTE

- If you keep the refrigerator in a hot and humid place, frequently opening the door or putting a lot of vegetables in it may cause condensation to form. This has no effect on its performance. Remove the condensation with a dry, dust-free cloth.
- If droplets form beneath the cover of the vegetable drawer, keep vegetables or fruits wrapped with plastic wrap.

LAMP REPLACEMENT

1. Unplug the power cord from the outlet.
2. Remove refrigerator shelves.
3. To remove the lamp cover, insert ⊖ type driver in the underside of the lamp cover and pull it out forwards.
4. Turn the lamp counterclockwise.
5. Assemble in reverse order of disassembly. Replacement lamp must be the same specification as original. (Max 40W)



GENERAL INFORMATION

Vacation Time

During average length vacations, you will probably find it best to leave the refrigerator in operation. Place freezable items in freezer for longer storage. When you plan to be away for an extended period,

- Disconnect the power cord or set refrigerator Dial knob to off position.
- Remove all food and other items from the unit.
- Clean the unit thoroughly.
- Leave the shelves in the unit to discourage children from playing in the unit.
- Leave the doors open and block them to ensure that they cannot be closed.

Power Failure

Most power failures are corrected in an hour or two and will not affect your refrigerator temperatures. However, you should minimize the number of door openings while the power is off. During power failures of longer duration, place a block of dry ice on top of your frozen packages.

If You Move

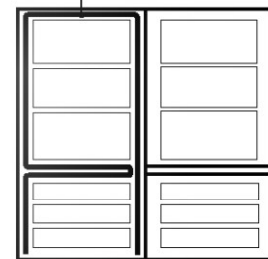
Remove or securely fasten down all loose items inside the refrigerator.

To avoid damaging the leveling screws, turn them all the way into the base.

Anti-Condensation Pipe

The outside wall of the refrigerator cabinet may sometimes get warm, especially just after installation. Don't be alarmed. This is due to the anti-condensation pipe, which pumps hot refrigerant to prevent sweating on the outer cabinet wall.

Anti-Condensation Pipe



⚠ CAUTION

- Dry ice is very cold! Do not allow it to touch bare skin. It is well below 0 °F and will cause immediate frostbite and damage to the skin and other tissue.
- Dry ice is frozen carbon dioxide. Use only in a well ventilated area. As the ice releases carbon dioxide vapor, it could cause light-headedness, fainting, suffocation, or death.

CLEANING YOUR REFRIGERATOR

⚠ WARNING



Explosion Hazard

Use nonflammable cleaner.

Failure to do so can result in death, explosion, or fire.

Both the refrigerator and freezer sections defrost automatically. However, clean both sections about once a month to prevent odors from building up. Wipe up spills immediately.

To clean your refrigerator.

- Unplug refrigerator or disconnect power.
- Remove all removable parts from inside, such as shelves, crispers, etc.
- Use a clean sponge or soft cloth and a mild detergent in warm water. Do not use abrasive or harsh cleaners.
- Hand wash, rinse, and dry all surfaces thoroughly.
- Plug in refrigerator or reconnect power.

- Additional cleaning tips are listed below:

PART	COMMENTS
Outside	<ul style="list-style-type: none"> ■ Waxing external painted metal surfaces helps provide rust protection. Do not wax plastic parts. Wax painted metal surfaces at least twice a year using appliance wax (or auto paste wax). Apply wax with a clean, soft cloth. ■ For products with a stainless steel exterior, use a clean sponge or soft cloth and a mild detergent in warm water. Do not use abrasive or harsh cleaners. Dry thoroughly with a soft cloth.
Inside walls (allow freezer to warm up so cloth won't stick)	<ul style="list-style-type: none"> ■ To help remove odors, you can wash the inside of the refrigerator with a mixture of baking soda and warm water. Mix 2 tablespoons soda to 1 quart of water (26 g soda to 1 liter water.) Be sure the soda is completely dissolved so it is not abrasive and doesn't scratch the surfaces of the refrigerator.
Door liners and gaskets	<ul style="list-style-type: none"> ■ Do not use cleaning waxes, concentrated detergents, bleaches, or cleaners containing petroleum on plastic parts.
Plastic parts (covers and panels)	<ul style="list-style-type: none"> ■ Do not use paper towels, window sprays, abrasive cleansers, or flammable fluids. These can scratch or damage material.
Condenser coils	<ul style="list-style-type: none"> ■ Remove base grille. (See the Base grille section on page 6.) ■ Use a vacuum with an extended attachment to clean condenser coils. ■ Vacuum coils when dusty or dirty. Coils may need to be cleaned as often as every other month. ■ Replace base grille.

REPLACEMENT OF DOOR OPENING TYPE

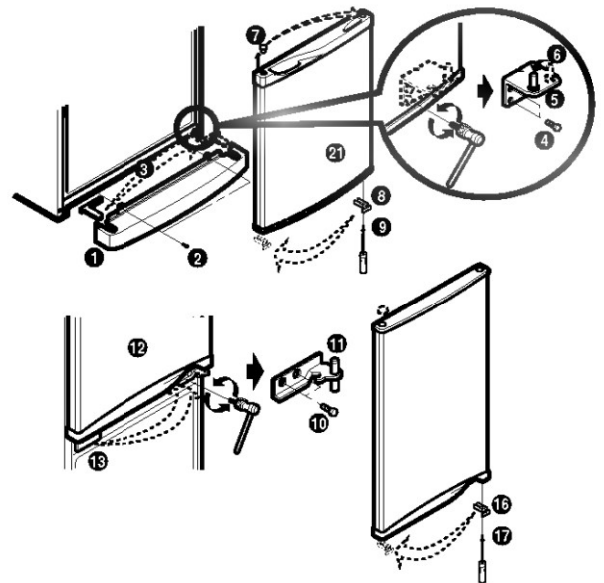
⚠ PRECAUTION

1. Before replacing the door opening type, first of all, you should take out of food and accessories like shelves or trays, which are not fixed in the refrigerator.
2. Use a '+' Driver, Bolt Driver, Torque Wrench or Spanner to fix or remove the bolt.
3. Be careful not to tip over the refrigerator in disassembling or assembling the Lower Hinge and the Adjustable Screw Asm. Don't lay the refrigerator down when working it will cause it to malfunction.
4. Be careful not to drop the door in disassembling or assembling the freezer or the refrigerator door.
5. This refrigerator, according to the installation position or user's preference can have the door opening from the right or left.

How to Replace the Door Opening Left to Right (when converting from the left-opening type to right opening type)

How to Reverse the Doors

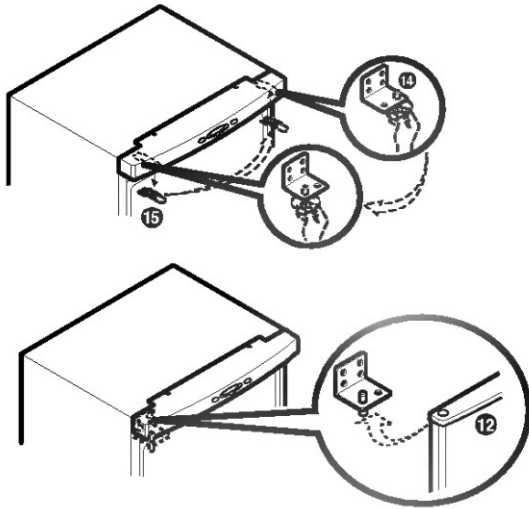
1. Remove screw ② and cover ①. Remove cap cover ③, hinge-L ⑤, and pin ⑥. Remove the freezer door. Move cap ⑦ to the side not used. Move hinge ⑧ and screw ⑨ to the side you wish and reinstall.



2. Remove bolt 10 and hinge-C 11 and take off refrigerator door 12.

Move cap 13 to the side not used.

Move door bracket 16 and screw 17 to the side you wish and reinstall.



After Completing the job

- Make sure that the four corners of the door gasket are not folded. It is recommended to apply a small amount of silicon grease on them.
- Adjust the leveling screw on the bottom to the highest level so that the front side of the refrigerator is higher than the rear side.
- If you need assistance after switching the direction of the door opening as shown above, call a service center.

NOTE

Reversing the doors is not covered by the warranty.

3. Move hinge-U pin 14 and top cover cap 15.

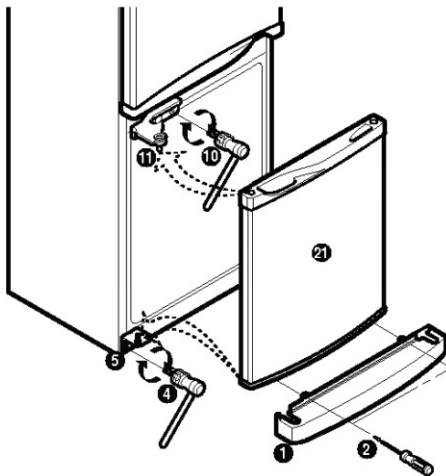
Assemble the refrigerator door 12.

Assemble hinge-C 11 and bolt 10.

Assemble freezer door 21.

Assemble the hinge-L 5 and bolt 4.

Assemble base cover 1 and screw 2.



BEFORE CALLING FOR SERVICE

SERVICE CALLS CAN OFTEN BE AVOIDED!
IF YOU FEEL YOUR REFRIGERATOR IS NOT OPERATING PROPERLY, CHECK THESE POSSIBLE CAUSES FIRST:

PROBLEM	POSSIBLE CAUSES
REFRIGERATOR DOES NOT OPERATE	<ul style="list-style-type: none">■ Has a house fuse blown or circuit breaker tripped?■ Has the power cord plug been removed or loosened from the electrical wall outlet?
REFRIGERATOR OR FREEZER COMPARTMENT TEMPERATURE TOO WARM	<ul style="list-style-type: none">■ Temperature control not set on proper position.■ Appliance is placed close to wall or heat source.■ Warm weather-frequent door openings.■ Door is not closed entirely.■ Door left open for a long time.■ Large amount of foods are kept in the refrigerator.
ABNORMAL NOISE(S)	<ul style="list-style-type: none">■ Refrigerator is installed in a weak or uneven place or leveling screw needs adjusting.■ Unnecessary objects placed in the back side of the refrigerator.
REFRIGERATOR HAS ODOR	<ul style="list-style-type: none">■ Foods with strong odors should be tightly covered or wrapped.■ Interior needs cleaning.
DEW FORMS ON THE CABINET SURFACE	<ul style="list-style-type: none">■ Not unusual during periods of high humidity.■ Door may have been left ajar.

Customer Assistance Numbers:

- To Prove Warranty Coverage
Retain your Sales Receipt to prove date of purchase.
A copy of your Sales Receipt must be submitted at the time warranty service is provided.
- To Obtain Product, Customer or Service Assistance
Call Toll-free for Customer Service
Tel : 1-877-714-7486
- To Obtain Nearest Authorized Service Center
Call 1-877-714-7486, push option #1, 24 hours a day, 7 days per week.
Please have your product type (Monitor, TV, VCR, MWO, Refrigerator) and ZIP code ready.

TROUBLESHOOTING

PROBLEM	POSSIBLE CAUSES
REFRIGERATOR-FREEZER DOES NOT OPERATE	<ul style="list-style-type: none">■ Power plug may be unplugged from the electric outlet. Plug it in securely.■ House fuse has blown or circuit breaker has tripped. Check and/or replace fuse and reset circuit breaker.■ Power cut. Check house lights.
REFRIGERATOR OR FREEZER COMPARTMENT TEMPERATURE TOO WARM	<ul style="list-style-type: none">■ Temperature control not set on proper position. Refer to Temperature Control section.■ Appliance is placed close to heat source.■ Warm weather-frequent door openings.■ Door left open for a long time.■ Package holding door open or blocking air duct in freezer compartment.
VIBRATION OR RATTLING OR ABNORMAL NOISE	<ul style="list-style-type: none">■ The floor on which the Refrigerator-Freezer is installed may be uneven or the Refrigerator-Freezer may be unstable. Make it even by rotating the leveling screw.■ Unnecessary objects placed in the back side of the Refrigerator-Freezer.
FROST OR ICE CRYSTALS ON FROZEN FOOD	<ul style="list-style-type: none">■ Door may have been left ajar or package holding door open.■ Too frequent or too long door openings.■ Frost within package is normal.
MOISTURE FORMS ON CABINET SURFACE	<ul style="list-style-type: none">■ This phenomenon is likely to occur in a wet space. Wipe it with a dry towel.
MOISTURE COLLECTS INSIDE	<ul style="list-style-type: none">■ Too frequent or too long door openings.■ In humid weather, air carries moisture into refrigerator when doors are opened.

PROBLEM	POSSIBLE CAUSES
REFRIGERATOR HAS ODOR	<ul style="list-style-type: none"> ■ Foods with strong odors should be tightly covered or wrapped. ■ Check for spoiled food. ■ Interior needs cleaning. Refer to CLEANING section
DOOR NOT CLOSING PROPERLY	<ul style="list-style-type: none"> ■ Food package is keeping door open. Move packages that keep door from closing. ■ Refrigerator-Freezer is not level. Adjust the leveling screws. ■ The floor on which the Refrigerator-Freezer is installed may be uneven or the Refrigerator-Freezer may be unstable. Slightly raise the front side with the leveling screw.
INTERIOR LIGHT DOES NOT WORK	<ul style="list-style-type: none"> ■ No power at outlet. ■ Light lamp needs replacing. Refer to the Lamp Replacement section

TABLE DES MATIÈRES

SÉCURITÉ DU RÉFRIGÉRATEUR	19
INSTALLATION DE VOTRE RÉFRIGÉRATEUR	20
Déballage de votre réfrigérateur	20
Installation	20
Exigences électriques	21
Enregistrement	21
TABLEAU DES FONCTIONS	22
OPÉRATION	23
Mise en marche	23
Contrôle de la température	23
Congélation Rapide	23
Vacances	24
Self Test	24
Signal d'alarme de porte	24
Dégivrageg	24
Faire les Glaçons	24
SUGGESTIONS SUR LA CONSERVATION DES ALIMENTS	25
REPLACEMENT DES LAMPES	26
INFORMATIONS GÉNÉRALES	26
NETTOYAGE DE VOTRE RÉFRIGÉRATEUR	27
REPLACEMENT DU TYPE D'OUVERTURE DES PORTES	28
AVANT D'APPELER LE SERVICE ASSISTANCE	30
TROUVER LES PANNES	31

SÉCURITÉ DU RÉFRIGÉRATEUR

Votre sécurité et celle des autres est très importante.

Nous avons placé plusieurs messages importants de sécurité dans ce manuel et sur votre appareil. Lisez-les toujours et suivez tous ces messages de sécurité.



C'est le symbole d'alerte de sécurité

Ce symbole vous alerte sur les risques qui peuvent causer la mort ou des blessures.

Tous les messages de sécurité sont précédés par le symbole d'alerte de sécurité et par le mot "DANGER" ou "AVERTISSEMENT". Ces mots indiquent:

⚠ DANGER

Vous serez tués ou sérieusement blessés si vous ne suivez pas ces instructions

⚠ AVERTISSEMENT

Vous pourriez être tués ou sérieusement blessés si vous ne suivez pas ces instructions.

Tous les messages de sécurité identifient le risque, vous disent comment réduire le risque de blessure et vous disent ce qui peut arriver si vous ne suivez pas ces instructions.

IMPORTANTES INSTRUCTIONS DE SÉCURITÉ

AVERTISSEMENT: Pour réduire le risque d'incendie, de choc électrique ou de blessures quand vous utilisez votre réfrigérateur, suivez ces précautions de base:

- Branchez l'appareil sur une prise à 3 broches mise à la terre
- N'enlevez pas la broche de mise à la terre
- N'utilisez pas d'adaptateur
- N'utilisez pas de rallonge
- Débranchez l'appareil avant l'entretien
- Remplacez tous les panneaux avant de le faire fonctionner
- Enlevez les portes de votre ancien réfrigérateur
- Utilisez des produits nettoyants non inflammables
- Conservez les matériaux inflammables et les vapeurs, comme l'essence, loin du réfrigérateur
- Utilisez deux personnes ou plus pour déplacer le réfrigérateur en utilisant les poignées et pour installer le réfrigérateur.
- Débranchez l'alimentation avant d'installer l'appareil à glaçons (sur certains modèles).

CONSERVEZ CES INSTRUCTIONS

Mise au rebut de votre ancien réfrigérateur

⚠ DANGER

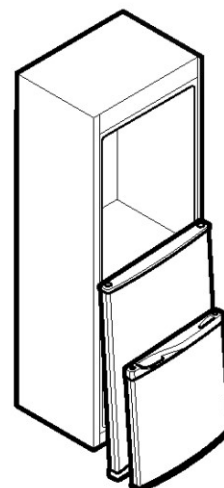
Risque de suffocation

Enlevez les portes de votre ancien réfrigérateur

IMPORTANT - Les risques de prise au piège et de suffocation des enfants ne sont pas des problèmes du passé. Les réfrigérateurs jetés ou abandonnés sont encore dangereux - même si c'est pendant "seulement quelques jours". Si vous vous débarrassez de votre ancien réfrigérateur, suivez SVP ces instructions pour aider à éviter les incidents.

Avant de jeter votre ancien réfrigérateur ou congélateur:

- Enlevez les portes
- Laissez les clayettes en place pour que les enfants ne puissent pas entrer facilement dans le réfrigérateur.



INSTALLATION DE VOTRE RÉFRIGÉRATEUR

⚠️ AVERTISSEMENT

Risque dû au poids

Deux personnes ou plus doivent déplacer et installer le réfrigérateur.

Sinon, il pourrait en résulter des problèmes au dos ou d'autres blessures.

Déballage de votre réfrigérateur

Enlevez les adhésifs et les étiquettes temporaires de votre réfrigérateur avant de l'utiliser. N'enlevez pas les étiquettes d'avertissement, l'étiquette portant le numéro du modèle et de série ou la fiche technique fixées sur la paroi arrière du réfrigérateur.

Pour enlever les adhésifs ou la colle, frottez vivement la zone avec votre pouce. Les adhésifs ou la colle peuvent facilement être enlevés en frottant un peu de liquide savonneux sur les adhésifs avec vos doigts. Rincez avec de l'eau chaude et séchez.

N'utilisez pas d'outils pointus, d'alcool à 90°, des liquides inflammables ou des produits nettoyants abrasifs pour éliminer les adhésifs ou la colle. Ces produits peuvent endommager la surface de votre réfrigérateur. Pour plus d'informations, voir "Importantes instructions de sécurité" dans la section "Sécurité du réfrigérateur".

Les clayettes du réfrigérateur sont installées dans la position de transport.

Réinstallez ces clayettes selon vos besoins.

Quand vous déplacez votre réfrigérateur:

Votre réfrigérateur est lourd. Quand vous le déplacez pour le nettoyage ou l'entretien, protégez votre plancher.

Tirez toujours le réfrigérateur en ligne droite quand vous le déplacez. Ne l'agitez pas ou ne le faites pas "marcher" en essayant de le déplacer car vous pourriez endommager le plancher.

⚠️ AVERTISSEMENT



Risque d'explosion

Conservez les matériaux inflammables et les vapeurs, comme l'essence, loin du réfrigérateur.

Sinon il pourrait se produire une explosion, un incendie ou la mort.

Installation

1. Évitez de placer l'appareil à côté de sources de chaleur, de la lumière solaire directe ou de sources d'humidité.
2. Pour éviter les vibrations, l'appareil doit être mis de niveau.
Si nécessaire, réglez les vis de mise à niveau pour compenser l'inégalité du plancher.
Le devant doit être légèrement plus haut que l'arrière pour aider la fermeture de la porte.
Les vis de mise à niveau peuvent facilement être tournées en faisant légèrement basculer l'appareil.
Tournez les vis de mise à niveau dans le sens des aiguilles d'une montre (🕒) pour soulever l'appareil et dans le sens inverse des aiguilles d'une montre pour l'abaisser (🕒).
3. Installez cet appareil entre 55°F (13°C) et 110°F (43°C). Si la température autour de l'appareil est trop basse ou trop élevée, la capacité de refroidissement peut être inférieure.

ENSUITE

1. Nettoyez minutieusement votre réfrigérateur et enlevez toute la poussière accumulée pendant le transport.
2. Installez les accessoires comme le bac à glaçons, les tiroirs, les clayettes, etc. dans leur emplacement. Ils sont emballés ensemble pour éviter tout dommage pendant le transport.
3. Laissez le réfrigérateur fonctionner pendant 2 ou 3 heures avant d'y placer les aliments. Contrôlez le débit d'air froid dans le compartiment congélateur pour assurer un refroidissement correct.
Votre réfrigérateur est maintenant prêt à être utilisé.

Exigences électriques

⚠ AVERTISSEMENT



Risque de choc électrique

Branchez l'appareil sur une prise de courant mise à terre à la 3 broches.

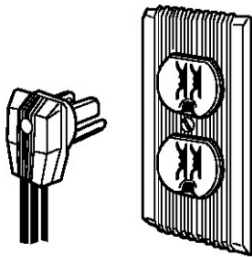
N'enlevez pas la broche de mise à la terre.

N'utilisez pas d'adaptateur.

N'utilisez pas de rallonge.

Si vous ne suivez pas ces instructions, vous risquez la mort, un incendie ou un choc électrique.

Avant de déplacer votre réfrigérateur dans sa position définitive, il est important de vérifier que vous ayez la connexion électrique appropriée.



Méthode recommandée de mise à la terre

Une alimentation électrique mise à la terre de 115 Volts, 60 Hz, uniquement CA avec fusibles de 15 ou 20 Ampères, est nécessaire. Nous recommandons qu'un circuit séparé soit utilisé uniquement pour votre réfrigérateur. Utilisez une prise de courant qui ne peut pas être éteinte par un interrupteur. N'utilisez pas de rallonge.

REMARQUE: Avant d'effectuer toute installation, nettoyage ou changement d'ampoule, mettez le cadran de contrôle à OFF (selon le modèle, contrôle de thermostat, réfrigérateur ou congélateur) et débranchez le réfrigérateur de la source d'alimentation. Lorsque vous avez terminé, rebranchez le réfrigérateur sur la source d'alimentation électrique et remettez le contrôle (selon le modèle, contrôle de thermostat, réfrigérateur ou congélateur) au réglage désiré.

Enregistrement

Le modèle et le numéro de série se trouvent à l'arrière de l'unité. Ce numéro est unique pour l'unité et ne se trouve pas sur d'autres. Vous pouvez enregistrer ici les informations nécessaires et conserver ce manuel comme un enregistrement permanent de votre achat. Mettez ici votre reçu.

Date d'achat : _____

Acheté auprès du vendeur : _____

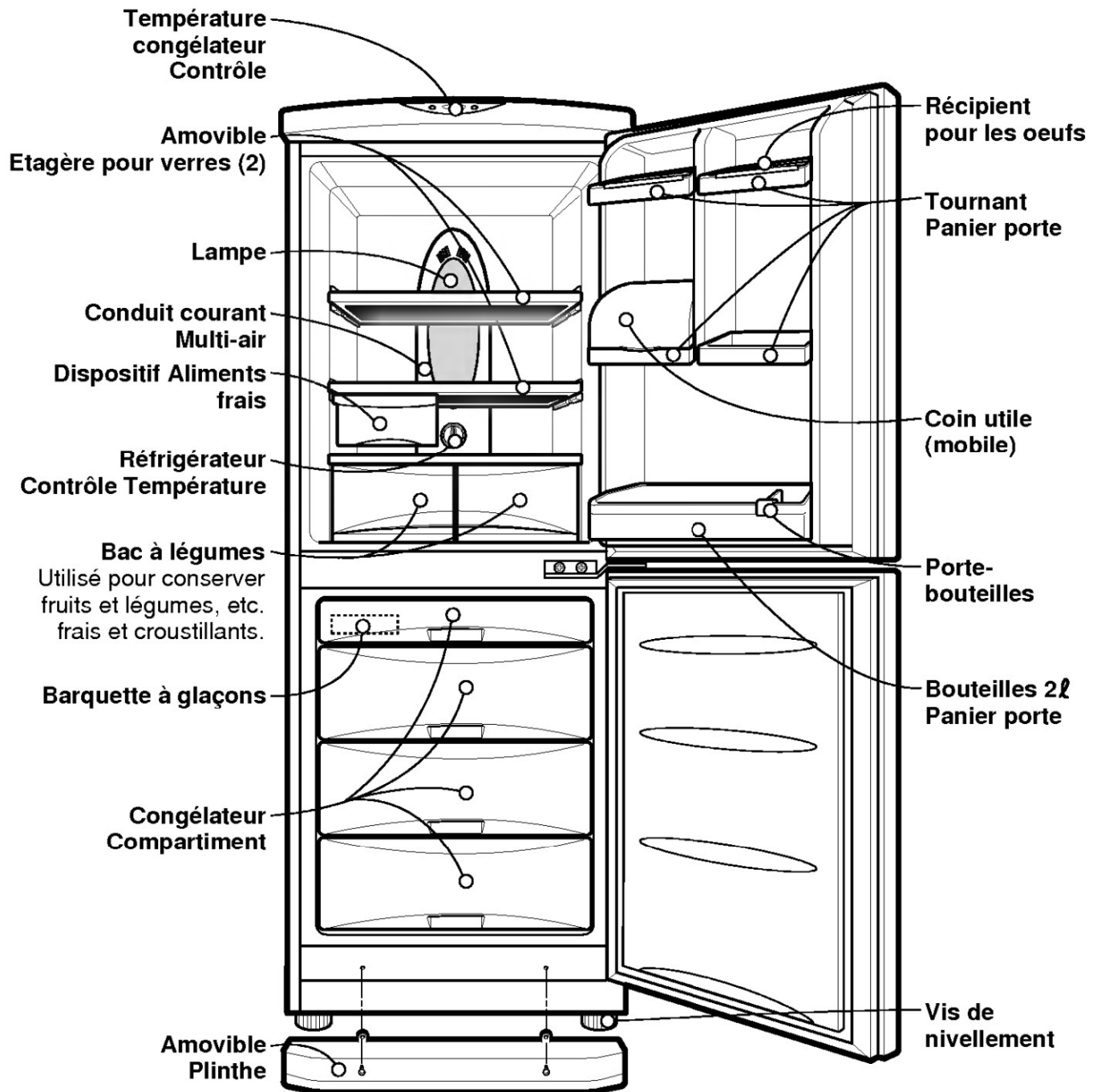
Adresse du vendeur : _____

Numéro de téléphone du vendeur : _____

Modèle No. : _____

Série No. : _____

TABLEAU DES FONCTIONS



OPÉRATION

Mise en marche

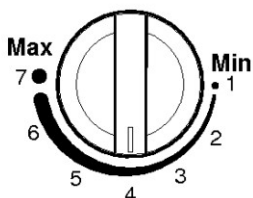
Quand votre réfrigérateur vient d'être installé, laissez-le fonctionner pendant 2 ou 3 heures pour stabiliser sa température de fonctionnement avec de le remplir avec les aliments frais ou surgelés.

Si le fonctionnement s'interrompt, attendez 5 minutes avant de le remettre en marche.

Contrôle de la température

Votre réfrigérateur-congérateur possède deux contrôles où vous pouvez régler la température dans le réfrigérateur et dans le congélateur.

❑ RÉFRIGÉRATEUR

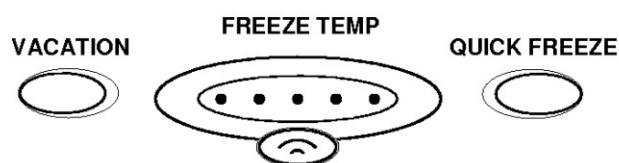


Temp. Control

- Réglez d'abord le TEMP. CONTROL à "4". Puis réglez la température du compartiment comme vous le désirez.
- Si vous désirez une température légèrement plus élevée ou plus basse, tournez la poignée respectivement sur MIN ou MAX. Quand la température ambiante est basse, réglez le contrôleur du réfrigérateur sur l'option 'Min'.

❑ CONGÉLATEUR

- Le contrôle de température du congélateur est situé au sommet du réfrigérateur-congérateur. Réglez d'abord la FREEZE TEMP à un niveau moyen. En appuyant sur le bouton de contrôle de la température du congélateur vous pouvez régler la température du congélateur comme indiqué par les chiffres illuminés de la lampe. (Le réglage est composé de cinq mesures, 5 chiffres illuminés indiquent la température la plus froide.)
- Quand vous allumez le Réfrigérateur-congérateur ou quand vous branchez la fiche à la prise, le réglage de la température se fait automatiquement sur une valeur moyenne.



- Si vous appuyez sur le bouton, il **sonne**.

Congélation Rapide

- Cette fonction est utilisée quand vous désirez congeler rapidement la nourriture. Appuyez sur le bouton 'QUICK FREEZE' une fois, et l'opération de congélation rapide commence. Cette opération a besoin de 3 heures. Quand elle est terminée, l'appareil retourne automatiquement à son état normal. Si vous voulez arrêter l'opération de congélation rapide, appuyez une autre fois sur le bouton 'QUICK FREEZE', la lampe s'éteint, l'opération de congélation rapide s'arrête et le réfrigérateur retourne à l'état normal.



Vacances

Cette fonction permet de faire passer le réfrigérateur-congélateur à un mode économie d'énergie qui est utile quand vous partez en vacances et qui réduit la consommation d'énergie le plus possible.

En appuyant sur 'VACATION' l'opération se met en marche avec la lampe ON et en appuyant de nouveau l'opération s'arrête. Pour un meilleur fonctionnement, vous pouvez régler le TEMP. CONTROL sur "MIN".



Self Test

Cette fonction vous permet de contrôler les problèmes pendant les opérations. Si vous pensez avoir un problème avec votre réfrigérateur-congélateur, appuyez sur la touche de contrôle de la température :

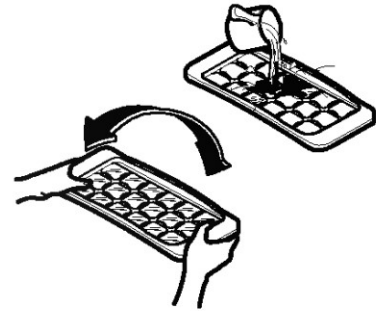
- Si l'indicateur se déplace vers le haut ou vers le bas, votre réfrigérateur-congélateur n'a pas de problème.
- Si l'indicateur ne se déplace pas vers le haut ou vers le bas, laissez le courant branché et appelez l'agent d'assistance le plus proche.

Signal d'alarme de porte

Quand la porte de la réfrigérateur est laissée ouverte pendant un temps, le signal d'alarme sonne.

Dégivrage

- Pour faire des glaçons, remplissez la barquette d'eau et placez-la dans le congélateur.
- Si vous désirez rapidement des glaçons, appuyez sur le bouton 'QUICK FREEZE'.
- Pour enlever les glaçons, tenez la barquette à ses extrémités et tordez-la délicatement.



VACANCES

Pour enlever facilement les glaçons, faites couler un peu d'eau sur la barquette avant de la tordre.

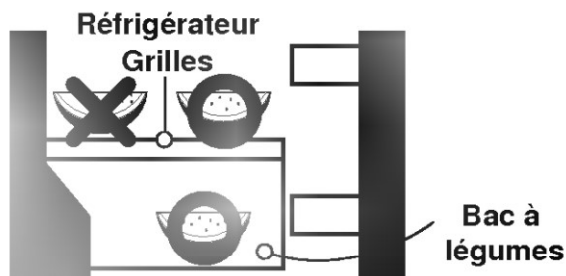
Faire les Glaçons

Le dégivrage commence automatiquement. L'eau de la décongélation s'écoule dans le récipient d'évaporation placé dans la partie inférieure arrière du réfrigérateur et elle évapore automatiquement.

SUGGESTIONS SUR LA CONSERVATION DES ALIMENTS

Conservation des Aliments

- Ne conservez pas de nourriture qui est périssable à de basses températures, comme les bananes ou le melon.
- Laissez refroidir la nourriture chaude avant de la mettre au réfrigérateur. Mettre les aliments chauds dans le réfrigérateur-congélateur pourrait gâcher les autres aliments, et augmenter la facture d'électricité.
- Quand vous conservez les aliments, utilisez un récipient avec un couvercle. Cela empêche l'humidité de s'évaporer et aide les aliments à conserver leur goût et leur pouvoir nutritif.
- **Il est désirable de réserver les aliments humides (en parti-culier le légume et le fruit) dans le compartiment du légume. S'il est nécessaire de les réserver sur le rayon du réfrigérateur, mettez-les près de la porte loin du fond du réfrigérateur pour éviter d'être gelés par le froid circulant dans le réfrigérateur.**



- Ne bloquez pas la ventilation d'air avec des aliments. Une bonne circulation d'air froid permet de bien conserver la température de votre réfrigérateur-congélateur.
- N'ouvrez pas fréquemment la porte. Ouvrir la porte fait entrer de l'air chaud dans le réfrigérateur-congélateur, et fait augmenter la température.
- Pour pouvoir régler facilement le contrôle de température, ne conservez pas d'aliments à côté du cadran de réglage de la température.

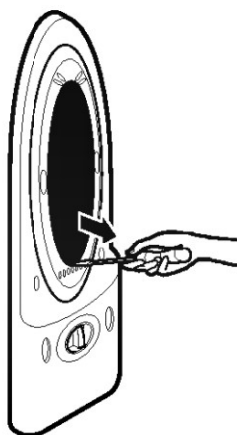
- Ne mettez jamais trop d'aliments dans le récipient sur la porte, s'il est trop plein il pourrait bloquer la porte.
- Ne conservez pas de bouteilles dans le compartiment congélateur, elles pourraient se casser quand elles se congèlent.
- Ne recongelez pas des aliments décongelés. Cela provoque une perte de goût et de pouvoir nutritif.

REMARQUE

- Si vous placez le réfrigérateur dans un endroit chaud et humide, si vous ouvrez trop souvent ses portes ou si vous conservez trop de légumes, il se formera de l'humidité à l'intérieur, ce qui n'a pas d'effet sur les performances, mais enlevez-la avec un chiffon sans problèmes.
- Si des gouttes se forment sous le couvercle du compartiment fruits et légumes, conservez les légumes et les fruits emballés dans une feuille en plastique.

REEMPLACEMENT DES LAMPES

1. Débranchez le câble d'alimentation de la prise.
2. Enlevez les étagères du réfrigérateur.
3. Pour enlever le couvercle de la lampe, insérez un tournevis dans la partie inférieure du couvercle et retirez le couvercle.
4. Tournez la lampe dans le sens contraire des aiguilles d'une montre.
5. Remontez le tout en sens inverse. La lampe remplacée doit avoir les mêmes spécifications que l'original.



INFORMATIONS GÉNÉRALES

Vacances

Pendant la période de vacances, vous laisserez probablement le réfrigérateur en marche. Placez les aliments congelables dans le congélateur pour les conserver. Quand vous décidez de partir pendant une longue période :

- Débranchez le câble d'alimentation ou mettez le cadran du réfrigérateur sur la position éteint.
- Enlevez tous les aliments de l'appareil.
- Nettoyez complètement l'appareil.
- Laissez les clayettes dans l'appareil pour décourager les enfants à jouer à l'intérieur de l'appareil.
- Laissez ouvertes les portes et bloquez-les pour éviter qu'elles puissent se refermer.

Interruption de courant

La plupart des interruptions de courant cessent en une heure ou deux et cela n'affecte pas la température de votre réfrigérateur.

Mais il vaut mieux éviter le plus possible d'ouvrir les portes tant que le courant n'est pas revenu. Dans le cas d'interruptions de courant de longue durée, mettez un bloc de neige carbonique au-dessus des emballages des aliments.

Si vous le déplacez

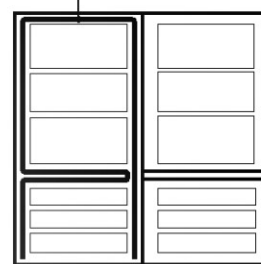
Enlevez ou bloquez tous les articles que vous laissez dans le réfrigérateur.

Pour éviter d'endommager les vis de réglage en hauteur, remplacez-les dans leurs bases.

Tuyau anti-condensation

La paroi externe du réfrigérateur peut devenir chaude, surtout juste après l'installation. Ne vous inquiétez pas. Cela est dû au tuyau anti-condensation qui pompe du réfrigérant chaud pour éviter la transsudation sur la paroi externe.

Tuyau anti-condensation



REMARQUE

- La neige carbonique est très froide! Ne la touchez pas avec la peau. Elle est en-dessous de 0 °F et peut provoquer une congélation immédiate et des dommages à la peau et à d'autres tissus.
- La neige carbonique est du dioxyde de carbone congelé. Utilisez-la uniquement dans un endroit bien ventilé. La neige carbonique libère des vapeurs de dioxyde de carbone qui peuvent provoquer des évanouissements, des suffocations ou la mort.

NETTOYAGE DE VOTRE RÉFRIGÉRATEUR

⚠ AVERTISSEMENT



Risque d'explosion

Utilisez des produits nettoyants non inflammables.

Sinon il pourrait se produire une explosion, un incendie ou la mort.

Les deux compartiments, réfrigérateur et congélateur, se dégivrent automatiquement. Mais, nettoyez ces deux compartiments environ une fois par mois pour éviter la formation de mauvaises odeurs. Essayez immédiatement les déversements.

Pour nettoyer votre réfrigérateur.

- Débranchez-le ou débranchez l'alimentation.
- Enlevez toutes les pièces intérieures amovibles, comme les clayettes, les hydrateurs, etc.
- Utilisez une éponge propre ou un chiffon doux et un détergent léger dans de l'eau chaude. N'utilisez pas de produits nettoyants abrasifs ou corrosifs.
- Lavez à la main, rincez et séchez toutes les surfaces.
- Branchez de nouveau le réfrigérateur.

- Des astuces supplémentaires de nettoyage sont indiquées ci-dessous:

PIÈCE	COMMENTAIRES
Extérieur	<ul style="list-style-type: none">■ Le cirage des surfaces métalliques peintes extérieures fournit une protection antirouille. Ne cirez pas les parties en plastique. Cirez les surfaces métalliques peintes au moins deux fois par an en utilisant une cire pour appareils ménagers (ou une cire en pâte). Appliquez la cire avec un chiffon doux et propre.■ Pour les appareils avec un extérieur en acier inoxydable, utilisez une éponge propre ou un chiffon doux et un détergent léger dans de l'eau chaude. N'utilisez pas de produits nettoyants abrasifs ou corrosifs. Essayez soigneusement avec un chiffon doux.
Parois internes (laissez le congélateur se réchauffer pour éviter que les tissus ne collent)	<ul style="list-style-type: none">■ Pour aider à éliminer les mauvaises odeurs, vous pouvez laver avec un mélange d'eau chaude et de bicarbonate de soude (26 g pour 0,95 l d'eau).
Paroi de la porte et joints d'étanchéité	<ul style="list-style-type: none">■ N'utilisez pas de cire de nettoyage, de détergents concentrés, d'eau de Javel ou de produits nettoyants contenant du pétrole sur les pièces en plastique.
Pièces en plastique (couvercles et panneaux)	<ul style="list-style-type: none">■ N'utilisez pas de serviettes en papier, de nettoyants pour vitres, de produits nettoyants de récurage ou de liquides inflammables. Ils pourraient rayer ou endommager les pièces.
Bobines du condensateur	<ul style="list-style-type: none">■ Enlevez la grille inférieure. (Voir la section "Grille inférieure").■ Utilisez un aspirateur avec un accessoire supplémentaire pour nettoyer les bobines du condensateur.■ Aspirez les bobines quand elles sont sales ou poussiéreuses. Les bobines doivent être nettoyées tous les mois.■ Remettez en place la grille inférieure.

REPLACEMENT DU TYPE D'OUVERTURE DES PORTES

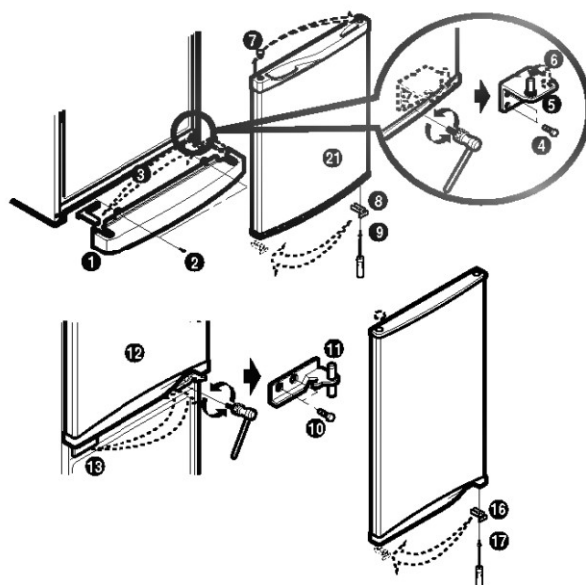
⚠ PRÉCAUTIONS

1. Avant de remplacer le type d'ouverture des portes, vous devez d'abord enlever les aliments et les accessoires comme les clayettes ou les récipients qui ne sont pas fixés dans le réfrigérateur.
2. Utilisez un tournevis +, une clé à boulon, une clé torsiométrique ou une clé pour serrer ou enlever les boulons.
3. Faites attention de ne pas trop incliner le réfrigérateur pendant le démontage ou le montage des charnières inférieures ou des vis de réglage. Ne laissez pas tomber le réfrigérateur pendant l'opération car cela pourrait provoquer de mauvais fonctionnements.
4. Faites attention de pas laisser tomber la porte pendant le démontage ou le montage de la porte du congélateur ou du réfrigérateur.
5. Ce réfrigérateur, selon l'emplacement d'installation ou les préférences de l'utilisateur, peut avoir les portes s'ouvrant vers la droite ou vers la gauche.

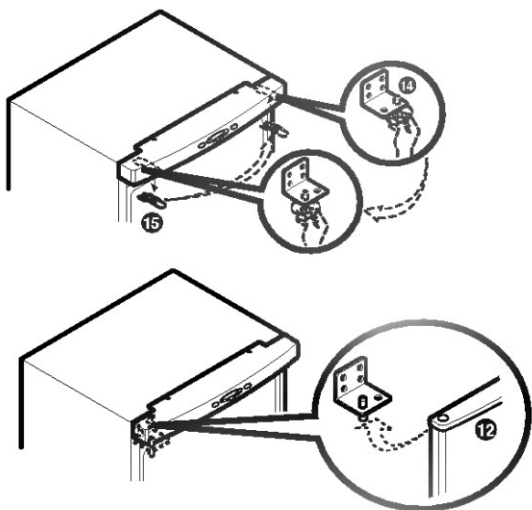
Comment remplacer l'ouverture de la porte de gauche à droite (quand vous passez du type à ouverture à gauche au type à ouverture à droite)

Comment Inverser le Sens des Portes

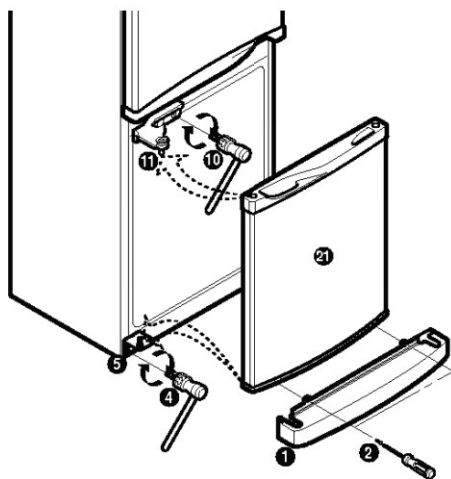
1. Dévissez ② et enlevez le couvercle ① et déplacez le haut du couvercle ③. dévissez la vis ④, le gond-L ⑤, et enlevez le pivot ⑥. Enlevez la porte du congélateur ⑭ et déplacez le couvercle ⑦. Dévissez la vis ⑧ et la bride ⑨.



2. Dévissez la vis 10 enlevez le gond-C 11 et la porte du réfrigérateur 12. Déplacez le couvercle 13. Dévissez la vis 16 et la bride 17.



3. Déplacez le gond-U 15, le couvercle, le couvercle supérieur 14. Assemblez la porte-R 12. Assemblez le gond-C 11 et le boulon 10.
Assemblez la porte-F 21 et assemblez le gond-L 5, et le boulon 4 et le couvercle inférieur 1 et la vis 2.



Après avoir complété le travail

- Faites attention que les quatre coins des bourrelets des portes ne soient pas pliés. Nous recommandons de leur appliquer une petite quantité de graisse de silicone.
- Réglez les vis de nivelage du bas au niveau le plus élevé pour que la partie avant du réfrigérateur soit plus haute que la partie arrière.
- Si vous avez besoin d'assistance après avoir changé l'ouverture des portes comme montré ci-dessus, appelez le service assistance.

NOTE

Inverser le sens des portes n'est pas couvert par la garantie.

AVANT D'APPELER LE SERVICE ASSISTANCE

VOUS POUVEZ ÉVITER D'APPELER LE SERVICE ASSISTANCE !
SI VOUS PENSEZ QUE VOTRE RÉFRIGÉRATEUR NE FONCTIONNE PAS BIEN, CONTRÔLEZ
CES CAUSES POSSIBLES D'ABORD.

PROBLÈME	CAUSE POSSIBLE
LE RÉFRIGÉRATEUR NE MARCHÉ PAS	<ul style="list-style-type: none">■ Un fusible a sauté ou le coupe-circuit s'est déclenché?■ Le câble d'alimentation a été enlevé ou desserré de la prise de courant?
LA TEMPÉRATURE DU COMPARTIMENT RÉFRIGÉRATEUR OU CONGÉLATEUR EST TROP CHAUDE.	<ul style="list-style-type: none">■ Le contrôle température n'est pas réglé sur la position correcte.■ L'appareil est placé près du mur ou d'une source de chaleur.■ Temps chaud - fréquente ouverture des portes.■ Les portes ne sont pas bien fermées.■ Les portes sont laissées ouvertes trop longtemps.■ Une grande quantité d'aliments est placée dans le réfrigérateur.
BRUITS ANORMAUX	<ul style="list-style-type: none">■ Le réfrigérateur est installé dans un endroit fragile ou non uniforme ou bien les vis de nivelage doivent être réglées.■ Des objets non nécessaires sont placés à l'arrière du réfrigérateur.
ODEURS DANS LE RÉFRIGÉRATEUR	<ul style="list-style-type: none">■ Les aliments à forte odeur doivent être couverts.■ L'intérieur doit être nettoyé.
DE LA ROSÉE SE FORME SUR LA SURFACE DE L'APPAREIL	<ul style="list-style-type: none">■ C'est normal pendant des périodes de forte humidité.■ Les portes ont été laissées entrouvertes.

Numéros pour l'assistance aux consommateurs:

- Pour démontrer la couverture de la garantie
Conservez votre reçu d'achat pour démontrer la date de l'achat.
Une copie de votre reçu d'achat doit être présentée au moment où le service d'assistance est fourni.
- Pour obtenir l'assistance produit, consommateur ou réparation
Appelez le numéro gratuit suivant pour le service consommateur
Tél : 1-877-714-7486
- Pour obtenir des informations sur le centre autorisé d'assistance le plus proche
Appelez le 1-877-714-7486, appuyez sur #1, 24 heures sur 24, 7 jours par semaine.
Vous devrez fournir, s'il vous plaît, le type de votre produit (Moniteur, Téléviseur, Magnétoscope, MWO, Réfrigérateur) et votre code postal.

TROUVER LES PANNES

PROBLÈME	CAUSE POSSIBLE
RÉFRIGÉRATEUR- CONGÉLATEUR NE MARCHE PAS	<ul style="list-style-type: none">■ La fiche d'alimentation pourrait être débranchée de la prise électrique. Branchez-la mieux.■ Le fusible de l'appartement a sauté ou le coupe-circuit s'est déclenché. Contrôlez et ou remplacez le fusible et remettez en fonction le coupe-circuit.■ Coupure courant. Contrôlez les lampes de la maison.
LA TEMPÉRATURE DU COMPARTIMENT RÉFRIGÉRATEUR OU CONGÉLATEUR EST TROP ÉLEVÉE	<ul style="list-style-type: none">■ Le contrôle de température n'est pas réglé sur la bonne position. Faites référence à la section Contrôle Température.■ L'appareil est placé trop près d'une source de chaleur.■ Temps chaud - ouvertures trop fréquentes de la porte.■ La porte est restée ouverte trop longtemps.■ Emballages bloquent la porte ouverte ou bloquent le conduit d'air dans le compartiment congélateur.
VIBRATIONS OU CRAQUEMENTS OU BRUITS ANORMAUX	<ul style="list-style-type: none">■ Le plancher sur lequel est installé le réfrigérateur-congélateur est inégal ou bien le réfrigérateur-congélateur est instable. Nivelez-le en tournant les vis de nivellement.■ Des objets non nécessaires sont placés derrière le réfrigérateur-congélateur.
CRISTAUX DE GEL OU DE GLACE SUR LES ALIMENTS	<ul style="list-style-type: none">■ La porte est restée légèrement ouverte ou les emballages la bloquent ouverte.■ La porte a été ouverte trop souvent ou pendant trop longtemps.■ le gel sans emballages est normal.
FORMATION D'HUMIDITÉ SUR LA SURFACE DE L'APPAREIL	<ul style="list-style-type: none">■ Ce phénomène se produit dans un espace humide. Essuyez avec une serviette sèche.

PROBLÈME	CAUSE POSSIBLE
HUMIDITÉ SE RECUEILLE À L'INTÉRIEUR	<ul style="list-style-type: none"> ■ Ouvertures de la porte trop fréquentes ou pendant trop longtemps. ■ Avec un temps humide, l'air transporte de l'humidité dans le réfrigérateur quand la porte est ouverte.
ODEURS DANS LE RÉFRIGÉRATEUR	<ul style="list-style-type: none"> ■ Les aliments avec une forte odeur peuvent être couverts ou emballés. ■ Contrôlez les aliments gâchés. ■ L'intérieur doit être nettoyé. Faites référence à la section NETTOYAGE.
LA PORTE NE FERME PAS BIEN	<ul style="list-style-type: none"> ■ Des emballages d'aliments laissent la porte ouverte. Déplacez-les pour permettre la fermeture de la porte. ■ Réfrigérateur-congélateur n'est pas nivelé. Réglez les vis de nivellement. ■ Le plancher sur lequel est installé le réfrigérateur-congélateur est inégal ou bien le réfrigérateur-congélateur est installé de manière instable. Soulevez légèrement l'avant grâce aux vis de nivellement.
LA LAMPE INTERNE NE S'ALLUME PAS	<ul style="list-style-type: none"> ■ Le courant n'arrive pas à la prise. ■ Les lampes doivent être remplacées. Faites référence à la section Remplacement des lampes.

ÍNDICE

SEGURIDAD DEL REFRIGERADOR	35
CÓMO INSTALAR SU REFRIGERADOR ...	36
Cómo desempacar su refrigerador	36
Instalación	36
Requisitos eléctricos	37
Registro	37
CUADRO DE CARACTERÍSTICAS	38
FUNCIONAMIENTO	39
Puesta en marcha	39
Control de temperatura	39
Congelación rápida	39
Inactividad	40
Autocomprobación	40
Alarma de la puerta	40
Producción de hielo	40
Descongelación	40
RECOMENDACIONES RELATIVAS AL ALMACENAMIENTO DE ALIMENTOS	41
SUSTITUCIÓN DE LA LÁMPARA	42
INFORMACIÓN GENERAL	42
LIMPIEZA DE SU REFRIGERADOR	43
CAMBIO DEL TIPO DE APERTURA DE LA PUERTA	44
ANTES DE LLAMAR AL SERVICIO TÉCNICO	46
LOCALIZACIÓN REPARACIÓN DE AVERÍAS	47

SEGURIDAD DEL REFRIGERADOR

Su seguridad y la seguridad de los demás es muy importante.

Hemos incluido muchos mensajes importantes de seguridad en este manual y en su electrodoméstico. Lea y obedezca siempre todos los mensajes de seguridad.



Este es el símbolo de advertencia de seguridad.

Este símbolo le llama la atención sobre peligros que pueden ocasionar la muerte o una lesión a usted y a los demás.

Todos los mensajes de seguridad irán precedidos por el símbolo de advertencia de seguridad y la palabra “PELIGRO” o “ADVERTENCIA”. Estas palabras significan:

PELIGRO

Si no sigue las instrucciones, usted morirá o sufrirá una lesión grave.

ADVERTENCIA

Si no sigue las instrucciones, usted puede morir o sufrir una lesión grave.

Todos los mensajes de seguridad identificarán el peligro, le informarán cómo reducir las posibilidades de sufrir una lesión y lo que puede suceder si no siguen las instrucciones.

INSTRUCCIONES IMPORTANTES DE SEGURIDAD

ADVERTENCIA: Para reducir el riesgo de incendio, choque eléctrico, o lesiones personales al usar su refrigerador siga estas precauciones básicas:

- No quite la terminal de conexión a tierra.
- No use un cable eléctrico de extensión.
- Desconecte el suministro de energía antes de darle servicio.
- Vuelva a colocar todos los paneles antes de ponerlo a funcionar.
- Remueva las puertas de su refrigerador viejo.
- Use un limpiador no inflamable.
- No use un adaptador.
- Mantenga los materiales y vapores inflamables, tales como gasolina, alejados del refrigerador.
- Use dos o más personas para mover e instalar el refrigerador.
- Desconecte el suministro de energía antes de instalar la fábrica de hielo. (en algunos modelos)
- Conecte a un contacto de pared de conexión a tierra de 3 terminales.

CONSERVAR ESTAS INSTRUCCIONES

Cómo deshacerse de su refrigerador viejo

PELIGRO

Peligro de Asfixia

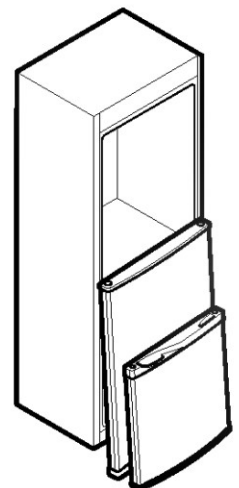
Remueva las puertas de su refrigerador viejo.

No seguir esta instrucción puede ocasionar la muerte o daño al cerebro.

IMPORTANTE - El atrapamiento y asfixia de niños no es un problema del pasado. Los refrigeradores tirados y abandonados son un peligro...aún si van a quedar ahí “por unos pocos días”. Si Ud. está por deshacerse de su refrigerador viejo, por favor siga las instrucciones que se dan a continuación para prevenir accidentes.

Antes de tirar su refrigerador viejo o congelador:

- Saque las puertas.
- Deje los estantes en su lugar así los niños no pueden meterse adentro con facilidad.



ESPAÑOL

CÓMO INSTALAR SU REFRIGERADOR

⚠️ ADVERTENCIA

Peligro de Peso Excesivo

Use dos o más personas para mover e instalar el refrigerador.

No seguir esta instrucción puede ocasionar una lesión en la espalda u otro tipo de lesiones.

Cómo desempacar su refrigerador

Mover la tapa y cualquier etiqueta temporal de su refrigerador antes de ser usado. No quite ninguna etiqueta de tipo de advertencia, la etiqueta del modelo y del número serial, o la hoja técnica que está adjunto en la parte trasera del refrigerador.

Para quitar cualquier cinta o pegante sobrante, frote la area rápidamente con su pulgar. Residuos de cinta y de pegante también puede ser removido fácilmente frotando una pequeña cantidad de líquido de lavar platos sobre la parte adhesiva con sus dedos. Limpie con agua tibia y seque.

No use instrumentos agudos, frotar alcohol, líquidos inflamables o limpiadores abrasivos para remover la cinta o pegante. Estos productos puede dañar la superficie de su refrigerador. Para mayor información, véa Instrucciones Importantes de Seguridad en la sección de Seguridad del Refrigerador.

Los estantes del refrigerador están instalados en la posición de embarque.

Por favor reinstale los estantes de acuerdo a sus necesidades individuales de almacenamiento.

Cómo mover su refrigerador:

Su refrigerador es muy pesado. Cuando mueva su refrigerador para limpiarlo o darle servicio, proteja el piso.

Al mover el refrigerador, siempre tire directamente hacia afuera. No menee el refrigerador de lado a lado ni lo haga "caminar" cuando lo trate de mover ya que podría dañar el piso.

⚠️ ADVERTENCIA



Peligro de Explosión

Mantenga los materiales y vapores inflamables, tales como gasolina, alejados del refrigerador.

No seguir esta instrucción puede ocasionar la muerte, explosión, o incendio.

Instalación

1. No coloque el refrigerador junto a fuente de calor, la luz solar directa o humedad.
2. Para evitar vibraciones el refrigerador debe estar nivelado. Si es necesario, ajuste los tornillos de nivelacion para compensar los desniveles del suelo. El frente debe quedar ligeramente mas elevado para que cierre mejor la puerta.
Los tornillos de nivelacion se pueden girar con facilidad inclinando el refrigerador ligeramente.
Gire los tornillos de nivelacion en sentido horario para levantar el aparato, y en sentido antihorario para bajarlo.
3. Instale el refrigerador entre 55 °F (13 °C) y 110 °F (43 °C).
Si la temperatura alrededor del refrigerador es demasiado alta o baja, puede reducirse su rendimiento.

A CONTINUACIÓN

1. Limpie el refrigerador y el polvo acumulado durante el transporte.
2. Instale los accesorios, tales como la cubitera, cajones, baldas, etc., en sus lugares adecuados. Se entregan empaquetados juntos para evitar posibles daños durante el transporte.
3. Deje el refrigerador en funcionamiento durante 2 o 3 horas antes de poner alimentos en su interior.
Compruebe la circulación de aire frío en el compartimento del congelador para garantizar una refrigeración adecuada. El refrigerador ya está preparado.

Requisitos eléctricos

⚠ ADVERTENCIA



Peligro de Choque Eléctrico

Conecte a un contacto de pared de conexión a tierra de 3 terminales.

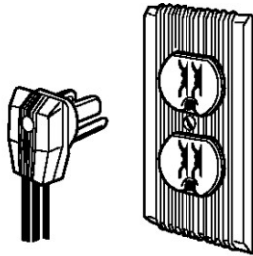
No quite el terminal de conexión a tierra.

No use un adaptador.

No use un cable eléctrico de extensión.

No seguir estas instrucciones puede ocasionar la muerte, incendio o choque eléctrico.

Antes de mover el refrigerador a su posición definitiva, es importante asegurarse que Ud. tiene la conexión eléctrica adecuada:



Método de conexión a tierra recomendado

Se requiere una fuente de energía eléctrica de 115 Voltios, 60Hz., CA solamente y con fusibles de 15 ó 20 amperios, debidamente conectado a tierra. Se recomienda que se use un circuito separado exclusivo para su refrigerador. Use un tomacorriente que no se puede apagar con un interruptor. No use cable de extensión.

NOTA: Antes de realizar cualquier tipo de instalación, limpieza o de quitar un bombilla de luz, ponga el Control del Termostato (o el control del Refrigerador dependiendo del modelo) en la posición OFF (Apagado) y luego desconecte el refrigerador de la fuente de energía. Cuando Ud. ha terminado, reconecte el refrigerador a la fuente de energía eléctrica y vuelva a poner el Control del Termostato (o Control del Refrigerador) en la posición deseada.

Registro

El modelo y el número de serie figuran en la parte de atrás de este aparato. Este número fue asignado especialmente para este aparato y no está disponible para otros. Se aconseja indicar los datos que se solicitan a continuación y guardar esta guía como registro permanente de su compra.

Fecha de Compra : _____

Distribuidor : _____

Dirección del Distribuidor : _____

N° de Teléfono del Distribuidor : _____

N° de Modelo : _____

N° de Serie : _____

FUNCIONAMIENTO

Puesta en marcha

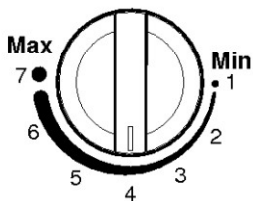
Cuando instale el refrigerador por primera vez, déjelo funcionar durante 2 o 3 horas para que se establezca en la temperatura normal de funcionamiento, antes de colocar alimentos frescos o congelados.

Si se interrumpe el funcionamiento, espere cinco minutos antes de ponerlo en funcionamiento de nuevo.

Control de temperatura

Su frigorífico-congelador tiene dos mandos que le permiten regular la temperatura de los compartimentos del frigorífico y del congelador.

❑ Frigorífico

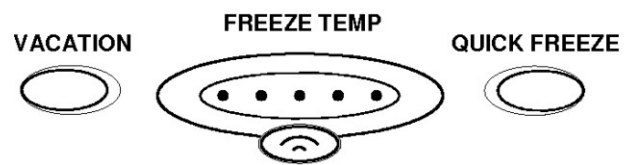


Temp. Control

- Primero, sitúe el mando de TEMP. CONTROL en "4". Después regule la temperatura del compartimento a su gusto.
- Si desea una temperatura interior ligeramente más fría o menos fría, gire el mando hacia MÁX. Cuando la temperatura de alrededor sea boga, ajuste el controlador de temperatura de la refrigeradora a 'Min'.

❑ Congelador

- El mando de temperatura del congelador se encuentra en la parte de arriba del frigorífico-congelador. Primero, sitúe el mando de control de Temperatura de Congelación en el punto medio. Presionando el mando de la Temperatura del Congelador podrá regular la Temperatura del Congelador según el número de lámparas encendidas (se dispone de 5 niveles para el proceso de regulación; 5 lámparas encendidas indican el nivel más frío).
- Cuando se pone en marcha el frigorífico-congelador o se conecta la clavija a la toma de corriente, la regulación de temperatura se lleva a cabo automáticamente y el mando se sitúa en el punto medio.



- Al presionar el botón se escuchará un pito.

Congelación rápida

- Haga uso de esta función cuando quiera congelar los alimentos rápidamente. Presione el botón "QUICK FREEZE" una vez y así la operación de congelación rápida comenzará al tiempo que se enciende la lámpara. La operación de congelación rápida dura 3 horas aproximadamente. Cuando finaliza esta operación, el aparato vuelve al estado normal. Si desea interrumpir el proceso de congelación rápida, vuelva a presionar el botón "QUICK FREEZE"; la lámpara se apagará y el proceso de congelación rápida se interrumpirá y el refrigerador volverá al estado normal.



Inactividad

Gracias a esta función el frigorífico-congelador podrá seguir funcionando en el modo de ahorro de energía, lo cual es muy ventajoso cuando se sale de vacaciones, ya que el consumo de energía se reduce al máximo.

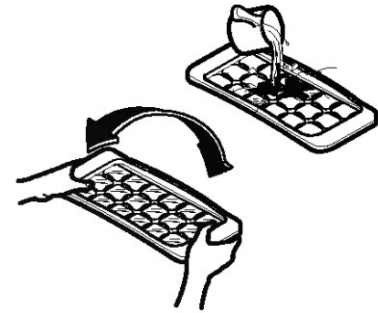
Al presionar "VACATION" comienza el proceso y se activa la lámpara ON y para interrumpir el proceso hay que volver a presionar.

Para un mejor funcionamiento se debe colocar el mando de temperatura "TEMP. CONTROL" en "MIN".



Producción de hielo

- Para hacer cubos de hielo, llene la bandeja de hielo hasta el nivel del agua indicado y colóquela en el congelador.
- Si es necesario que los cubos de hielo se hagan rápidamente, presione el botón "QUICK FREEZE".
- Para retirar los cubos de hielo, sujete la bandeja por los extremos y retuerza suavemente.



Autocomprobación

Esta función le permite detectar problemas en el funcionamiento. Si cree que tiene un problema con su frigorífico-congelador pulse el mando de control de temperatura:

- Si las luces indicadoras se mueven hacia arriba y hacia abajo, su frigorífico-congelador no presenta ningún problema.
- Si las luces indicadoras no se mueven hacia arriba y hacia abajo, deje el aparato enchufado y diríjase a su servicio de asistencia técnica más próximo.

CONSEJO

Para retirar fácilmente los cubos de hielo, pase la bandeja por agua corriente antes de retorcer.

Descongelación

La descongelación se lleva a cabo automáticamente.

El agua de desescarche fluye hasta la bandeja de evaporación situada en el lado inferior trasero del refrigerador y se evapora automáticamente.

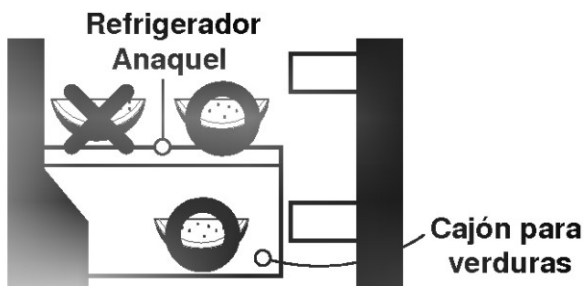
Alarma de la puerta

Cuando la puerta del refrigerador es dejado abierta por un momento, suena la alarma.

RECOMENDACIONES RELATIVAS AL ALMACENAMIENTO DE ALIMENTOS

Almacenamiento de alimentos

- No almacene alimentos que se estropeen fácilmente a bajas temperaturas, como el plátano y el melón.
- Deje enfriar la comida caliente antes de guardarla. Si se guarda comida caliente en el frigorífico-congelador, se pueden estropear otros alimentos y además el consumo de energía es mucho mayor.
- Para almacenar alimentos, utilice recipientes con tapas. Esto impide que se evapore la humedad y contribuye a mantener el sabor y el valor nutritivo de los alimentos.
- **Es conveniente almacenar los alimentos húmedos (especialmente los vegetales y frutas) dentro del compartimiento de almacenamiento de vegetales. Si se requiere ser almacenado fuera del compartimiento, colocarlo cerca de la puerta, lejos de la pared del refrigerador para evitar que sean congelados por la circulación de enfriamiento del refrigerador.**



- No bloquee con comida los tubos ventiladores. La circulación constante de aire frío mantiene uniforme la temperatura del frigorífico-congelador.
- No abra la puerta constantemente. Cuando se abre la puerta entra aire caliente en el frigorífico-congelador y esto conlleva un aumento de la temperatura.

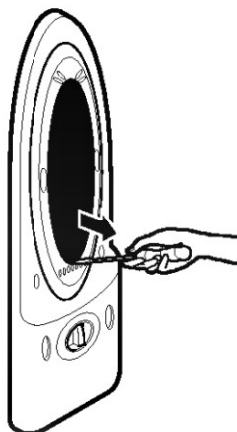
- Para poder regular fácilmente el mando de la temperatura, evite almacenar comida cerca de la esfera del mando de la temperatura.
- No guarde demasiados alimentos en las baldas de la puerta, ya que esto puede impedir que la puerta se cierre totalmente.
- No ponga botellas en el compartimento del congelador ya que cuando se congelan pueden estallar.
- No vuelva a congelar comida que ha sido descongelada. Esto hace que los alimentos pierdan sabor y valor nutritivo.

NOTA

- Si coloca el refrigerador en un lugar con humedad y altas temperaturas, la apertura frecuente de la puerta, o si guarda muchas verduras, puede hacer que se forme escarcha, que no tiene efecto sobre el funcionamiento del refrigerador. Elimine la escarcha con un paño.
- Si se forman gotas bajo el tapa del cajón de las verduras, mantengan las verduras y frutas envueltas en film plástico.

SUSTITUCIÓN DE LA LÁMPARA

1. Desenchufe el cable de potencia de la toma.
2. Retire las parrillas del frigorífico.
3. Para retirar el protector de la lámpara, introduzca el destornillador modelo q en la parte inferior de la cubierta de la lámpara y tire hacia adelante.
4. Gire la lámpara en sentido contrario a las agujas del reloj.
5. Vuelva a instalar operando a la inversa. La nueva lámpara debe tener las mismas características que la original.



INFORMACIÓN GENERAL

Vacaciones

Durante las vacaciones, probablemente preferirá dejar el refrigerador en funcionamiento. Coloque en el congelador aquellos alimentos que se puedan congelar. Cuando tenga previsto estar fuera un periodo de tiempo prolongado:

- Desconecte el enchufe de la red o ponga el control de temperatura en la posición OFF.
- Saque todos los alimentos.
- Limpie el interior.
- Deje en el interior las baldas para evitar que los niños jueguen con ellas.
- Deje todas las puertas para evitar la formación de olores y asegúrese de que no pueden cerrarse.

Fallo de corriente

La mayor parte de los fallos de corriente que se corrigen antes de una hora o dos no tienen efecto sobre las temperaturas del refrigerador. Sin embargo, evite abrir las puertas mientras el refrigerador no reciba corriente.

Si la falta de corriente eléctrica es más prolongada, coloque un bloque de hielo seco sobre los alimentos congelados.

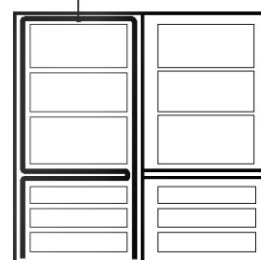
Si se traslada

Saque o sujete todas las partes que puedan moverse en el interior del refrigerador. Para evitar daños a los tornillos de ajuste de altura, gírelos hasta el fondo en la base.

Tubo anticondensación

La pared exterior del armario del refrigerador puede calentarse en ocasiones, especialmente tras la instalación. No se alarme. Se debe al tubo anticondensación que bombea refrigerante caliente para evitar la condensación en la pared exterior.

Tubo anticondensación



PRECAUCIÓN

- El hielo seco es muy frío. Evite el contacto con la piel. Está muy por debajo de 0 °F y puede causar congelaciones inmediatas y lesiones en la piel y otros tejidos.
- El hielo seco es dióxido de carbono congelado. Utilícelo sólo en áreas con buena ventilación. Debido a que libera vapor de dióxido, puede causar dolor de cabeza, mareos, sofocos o la muerte.

LIMPIEZA DE SU REFRIGERADOR

⚠️ ADVERTENCIA



Peligro de Explosión

Use un limpiador no inflamable.
No seguir esta instrucción puede ocasionar la muerte, explosión o incendio.

Tanto la sección del refrigerador como la del congelador se descongelan automáticamente. Sin embargo, limpie ambas secciones una vez al mes para prevenir la formación de olores. Limpie los derrames inmediatamente.

Para limpiar su refrigerador:

- Desenchufe el refrigerador o desconecte la corriente eléctrica.
- Quite todas las partes desmontables de adentro, como estantes, compartimientos de verduras, etc.
- Use una esponja o paño suave limpio y detergente diluido en agua tibia. No use limpiadores abrasivos o fuertes.
- Lave a mano, enjuague y seque bien todas las superficies.
- Enchufe el refrigerador o reconecte la electricidad.

■ Consejos adicionales de limpieza:

PARTE	COMENTARIOS
Exterior	<ul style="list-style-type: none"> ■ El encerado de superficies metálicas pintadas ayuda a proteger contra la oxidación. No encere partes plásticas. Encere las superficies de metal pintadas, por lo menos dos veces al año usando cera para electrodomésticos (o cera en pasta para autos). Aplique la cera con un paño limpio. ■ Para productos con acabado de acero inoxidable, use una esponja o un trapo suave y un detergente suave en agua tibia. No use limpiadores abrasivos o fuertes. Seque por completo con un paño suave.
Pared Interno (permite que el congelador se calorifique para que la tela no se pegue.)	<ul style="list-style-type: none"> ■ Para ayudar a quitar los olores, puede lavar el interior del refrigerador con una mezcla de levadura en polvo y agua tibia. Mezcle 2 cucharadas pequeñas a 1 cuarto de agua (26gr de levadura a 1 litro de agua). Asegúrese de que la levadura se disuelva completamente de forma que no sea abrasiva y no raye la superficie del refrigerador.
Revestimiento y empaque de las puertas	<ul style="list-style-type: none"> ■ No use ceras de limpieza, detergentes concentrados, blanqueadores o limpiadores conteniendo petróleo en las partes plásticas.
Partes plásticas (tapas y paneles)	<ul style="list-style-type: none"> ■ No use toallas de papel, aerosoles para ventanas, limpiadores o líquidos inflamables. Estos pueden dañar el material.
Serpentines del condensador	<ul style="list-style-type: none"> ■ Quitar la rejilla de la base. (Ver sección "Rejilla de la base.") ■ Use una aspiradora con extensión para limpiar los serpentines del condensador. ■ aspire los serpentines cuando están sucios o con polvo. Los serpentines pueden necesitar limpieza tan seguido como cada dos meses. ■ Vuelva a colocar la rejilla de la base.

CAMBIO DEL TIPO DE APERTURA DE LA PUERTA

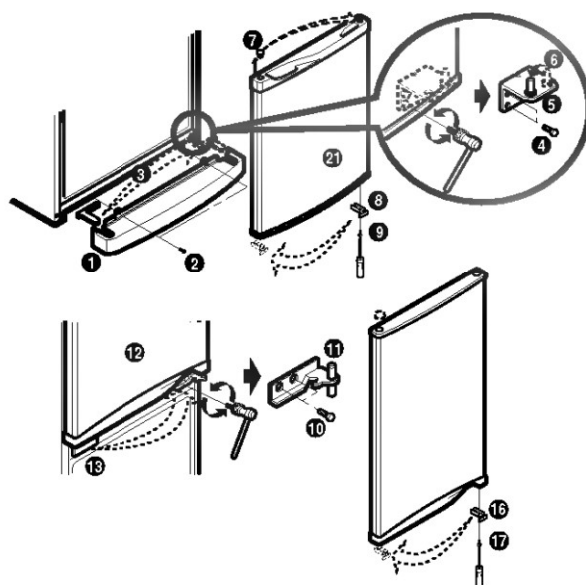
⚠ PRECAUCIÓN

1. Antes de cambiar el tipo de apertura de la puerta, saque todos los alimentos y accesorios, como baldas o bandejas, que no estén fijos en el refrigerador.
2. Utilice un destornillador de estrella o llave para fijar o soltar el tornillo.
3. Tenga cuidado de no volcar el refrigerador al desmontar o montar la bisagra inferior y el conjunto de tornillo regulable. No incline el refrigerador, ya que podría dañarse.
4. Tenga cuidado de no dejar caer la puerta al montar o desmontar la puerta del refrigerador o del congelador.
5. La puerta de este refrigerador, dependiendo de las preferencias del usuario, puede abrirse hacia la derecha o la izquierda.

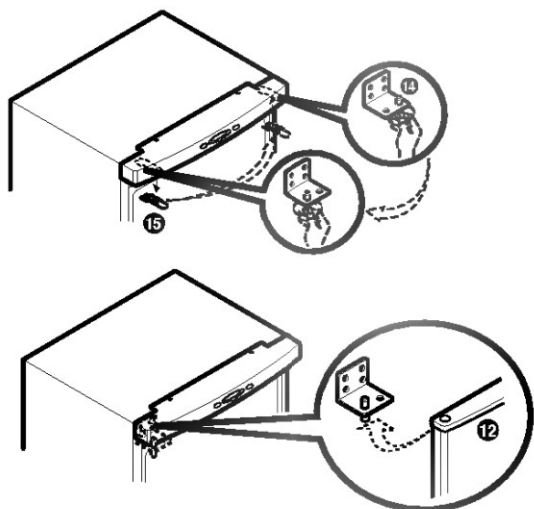
Cambio de la apertura de izquierda a derecha (cuando se convierte de tipo de apertura a la izquierda a tipo de apertura a la derecha)

Cómo invertir la dirección de las puertas

1. Retire el tornillo ② y retire la cubierta ① y desplace la cubierta superior ③. Y, retire el tornillo ④. Y la bisagra en forma de L ⑤, y retire la espiga ⑥. Retire la puerta del congelador ②① y cambie la posición de la cubierta ⑦. Retire el tornillo ⑧ y la abrazadera ⑨.



2. Retire la bisagra en forma de C **10** y la puerta del frigorífico **11**. Cambie la posición de la cubierta **12**. Cambie la posición del tornillo **13**. Retire el tornillo **16** y de la abrazadera **17**.



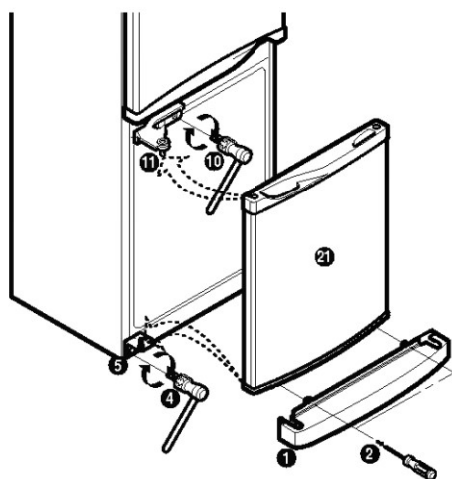
Tras finalizar el trabajo

- Asegúrese de que las cuatro esquinas de las juntas de la puerta no están dobladas. Se recomienda aplicar una pequeña cantidad de silicona.
- Ajuste el tornillo de nivelación del fondo al nivel más alto de modo que el frente quede más elevado.
- Si necesita ayuda tras cambiar la dirección de apertura según se ha indicado, llame a un servicio técnico.

NOTA

La garantía no cubra la inversión de la dirección de las puertas.

3. Cambie la posición de la bisagra en forma de U **15**, y de la cubierta **14**. Monte la puerta del frigorífico **12**. Monte la bisagra **11** en forma de C **10** y el perno **21**. Monte la bisagra en forma de C **5** y la puerta del congelador y la cubierta inferior **4**. Monte la cubierta **1** y el tornillo **2**.



ANTES DE LLAMAR AL SERVICIO TÉCNICO

CON FRECUENCIA SE PUEDEN EVITAR LOS SERVICIOS TÉCNICOS SI CONSIDERA QUE EL REFRIGERADOR NO FUNCIONA CORRECTAMENTE, COMPRUEBE EN PRIMER LUGAR LO SIGUIENTE:

PROBLEMA	CAUSAS POSIBLES
EL REFRIGERADOR NO FUNCIONA	<ul style="list-style-type: none">■ Fusible fundido o ha saltado el automático.■ Se ha desenchufado el cable o se ha aflojado de la toma de pared.
LA TEMPERATURA DEL COMPARTIMENTO DEL REFRIGERADOR O DEL CONGELADOR ES DEMASIADO ALTA	<ul style="list-style-type: none">■ El control de temperatura no está en la posición adecuada.■ El aparato está demasiado cerca de una pared o fuente de calor.■ Aperturas frecuentes de la puerta en tiempo cálido■ No se cierra completamente la puerta.■ Se ha dejado la puerta abierta durante un periodo prolongado de tiempo.■ Demasiados alimentos en el refrigerador.
RUIDO(S) ANORMAL(ES)	<ul style="list-style-type: none">■ El refrigerador se ha instalado en un lugar poco estable o desnivelado o es necesario ajustar el tornillo de nivelación.■ Objetos innecesarios colocados en la parte posterior del refrigerador.
EL REFRIGERADOR PRODUCE OLORES	<ul style="list-style-type: none">■ Los alimentos con olor fuerte deben estar envueltos.■ Debe limpiarse el interior.
SE FORMA ESCARCHA EN LA SUPERFICIE DEL ARMARIO	<ul style="list-style-type: none">■ No es inusual durante temporadas de humedad elevada.■ Puede haberse dejado la puerta entreabierta.

Numeros de asistencia para comprobadores:

- Para probar la Cobertura de Garantía
Retener el recibo de sus productos comprobados para probar la fecha de comprobado.
Una copia de recibo de Ud. debe ser solicitado en cuando el servicio de garantía se proporcionado.
- Para obtener las asistencia de mantenimiento, de ciliente, o de productos.
Llamar una teléfono gratuito al Customer Service (Servicio de Comprobadores)
Núm. de teléfono : 1-877-714-7486
- Para contactar al Centro de Servicio autorizado más cerca
Llamar a 1-877-714-7486, luego pulsar el botón seleccional #1, en cualquier tiempo de 24 horas al día, 7 días por semana.
Por favor tenga la información de tipo de su producto (Monitor, TV, VCR, Microondas, Refrigerador) y además su código de ZIP antes.

LOCALIZACIÓN REPARACIÓN DE AVERÍAS

PROBLEMA	CAUSAS POSIBLES
EL FRIGORÍFICO- CONGELADOR NO FUNCIONA	<ul style="list-style-type: none">■ Puede que la clavija esté desenchufada de la toma de corriente. Enchúfela con firmeza.■ El fusible doméstico se ha quemado o ha saltado el interruptor. Compruebe el fusible y sustitúyalo si es necesario, y vuelva a conectar el interruptor.■ Corte de energía. Compruebe las luces de la casa.
TEMPERATURA DEL FRIGORÍFICO O DEL CONGELADOR DEMASIADO CALIENTE	<ul style="list-style-type: none">■ El mando de la temperatura no está situado en la posición adecuada. Remítase a la sección Control de Temperatura.■ El aparato está próximo a una fuente de calor.■ Medio cálido – apertura frecuente de puertas.■ La puerta se mantiene abierta durante mucho tiempo.■ Algún envase impide que se cierre la puerta o bloquea el conducto de aire del compartimento congelador.
VIBRACIÓN, TRAQUETEO O RUIDOS ANORMALES	<ul style="list-style-type: none">■ Puede que el suelo en el que el aparato está instalado no sea uniforme o que el frigorífico-congelador no esté firme. Nivélelo girando el tornillo regulador.■ Presencia de objetos innecesarios en la parte trasera del aparato.
ESCARCHA O CRISTALES DE DE HIELO EN COMIDA CONGELADA	<ul style="list-style-type: none">■ Puede que se haya dejado la puerta entreabierta o que un envase impide que ésta se cierre.■ Apertura de puerta prolongada o muy frecuente.■ Es normal que se formen escarchas dentro de los envases.
ACUMULACIÓN DE HUMEDAD EN EL APARATO	<ul style="list-style-type: none">■ Es probable que esto suceda en un espacio húmedo. Limpie con un paño seco.

PROBLEMA	CAUSAS POSIBLES
ACUMULACIÓN DE HUMEDAD EN EL INTERIOR	<ul style="list-style-type: none"> ■ Apertura de puerta prolongada o muy frecuente. ■ Cuando el ambiente es húmedo, al abrir las puertas el aire lleva la humedad hacia el frigorífico.
EL FRIGORÍFICO DESPIDE MAL OLOR	<ul style="list-style-type: none"> ■ Los alimentos que despiden mucho olor deben guardarse herméticamente o envolverse. ■ Compruebe si hay comida estropeada. ■ El interior necesita limpieza. Remítase a la sección LIMPIEZA.
LA PUERTA NO CIERRA ADECUADAMENTE	<ul style="list-style-type: none"> ■ Hay algún envase que impide que la puerta se cierre. Retírelos. ■ El frigorífico-congelador no está nivelado. Ajuste los tornillos reguladores. ■ Puede que el suelo en el que el aparato está instalado no sea uniforme o que el frigorífico-congelador no esté firme. Eleve ligeramente la parte delantera con el tornillo regulador.
LA LUZ DEL INTERIOR NO FUNCIONA	<ul style="list-style-type: none"> ■ No hay corriente en la toma. ■ Hay que cambiar la lámpara. Remítase a la sección Sustitución de lámpara

