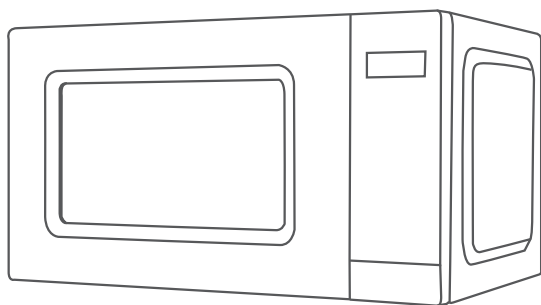


comfee'

MICROWAVE OVEN



INSTRUCTION MANUAL

CM-M201K(BK) / CM-M201K(WH)

DIRECTORY

PRECAUTIONS TO AVOID POSSIBLE EXPOSURE	
EXPOSURE TO EXCESSIVE MICROWAVE ENERGY	EN-2
SPECIFICATIONS.....	EN-2
IMPORTANT SAFETY INSTRUCTIONS	EN-3
GROUNDING INSTRUCTIONS.....	EN-6
UTENSILS	EN-9
SETTING UP YOUR OVEN	EN-12
OPERATION	EN-14
1. POWER LEVEL	EN-14
2. CLOCK SETTING	EN-14
3. KITCHEN TIMER	EN-14
4. MICROWAVE COOK	EN-15
5. SPEEDY COOKING	EN-15
6. WEIGHT DEFROST FUNCTION	EN-16
7. TIME DEFROST FUNCTION	EN-16
8. POPCORN	EN-16
9. POTATO	EN-17
10. FROZEN VEGETABLE	EN-17
11. BEVERAGE	EN-17
12. DINNER PLATE	EN-17
13. PIZZA	EN-18
14. MEMORY FUNCTION	EN-18
15. MULTI-STAGE COOKING	EN-18
16. INQUIRING FUNCTION	EN-19
17. LOCK FUNCTION FOR CHILDREN	EN-19
18. COOKING END REMINDING FUNCTION	EN-19
19. OTHER SPECIFICATIONS	EN-19
MAINTENANCE	EN-20

Read these instructions carefully before using your microwave oven, and keep it carefully.

If you follow the instructions, your oven will provide you with many years of good service.

SAVE THESE INSTRUCTIONS CAREFULLY

PRECAUTIONS TO AVOID POSSIBLE EXPOSURE TO EXCESSIVE MICROWAVE ENERGY

- (a) Do not attempt to operate this oven with the door open since open door operation can result in harmful exposure to microwave energy. It is important not to defeat or tamper with the safety interlocks.
- (b) Do not place any object between the oven front face and the door or allows soil or cleaner residue to accumulate on sealing surfaces.
- (c) Do not operate the oven if it is damaged. It is particular important that the oven door close properly and that there is no damage to the:
 - (1) DOOR (bent)
 - (2) HINGES AND LATCHES (broken or loosened)
 - (3) DOOR SEALS AND SEALING SURFACES
- (d) The oven should not be adjusted or repaired by anyone except properly qualified service personnel.

SPECIFICATIONS

Content	Parameter
Model:	CM-M201K(BK)/CM-M201K(WH)
Rated voltage :	120V-60Hz
Rated Input Power(Microwave) :	1050W
Rated Output Power(Microwave) :	700W
Oven Capacity :	0.7 CU.FT.
Turntable Diameter :	Ø10 inch
External Dimensions:	17.3*13.1*10.2 inch
Net Weight :	Approx. 20.2 lbs

IMPORTANT SAFETY INSTRUCTIONS



When using electrical appliances basic safety precautions should be followed, including the following:

WARNING - To reduce the risk of burns, electric shock, fire, injury to persons or exposure to excessive microwave energy:

1. Read all instructions before using the appliance.
2. Read and follow the specific: "PRECAUTIONS TO AVOID POSSIBLE EXPOSURE TO EXCESSIVE MICROWAVE ENERGY " found on page 2.
3. This appliance must be grounded. Connect only to properly grounded outlet. See "GROUNDING INSTRUCTIONS" found on page 6.
4. Install or locate this appliance only in accordance with the provided installation instructions.
5. Some products such as whole eggs and sealed containers - for example, closed glass jars - are able to explode and should not be heated in this oven.
6. Use this appliance only for its intended use as described in the manual. Do not use corrosive chemicals or vapors in this appliance. This type of oven is specifically designed to heat, cook or dry food. It is not designed for industrial or laboratory use.
7. As with any appliance, close supervision is necessary when used by children.
8. Do not operate this appliance if it has a damaged cord or plug, if it is not working properly, or if it has been damaged or dropped.

9. This appliance should be serviced only by qualified service personnel. Contact nearest authorized service facility for examination, repair, or adjustment.
10. Do not cover or block any openings on the appliance.
11. Do not store this appliance outdoors. Do not use this product near water – for example, near a kitchen sink, in a wet basement, near a swimming pool, or similar location.
12. Do not immerse cord or plug in water.
13. Keep cord away from heated surface.
14. Do not let cord hang over edge of table or counter.
15. When cleaning surfaces of door and oven that comes together on closing the door, use only mild, nonabrasive soaps, or detergent applied with a sponge or soft cloth.
16. To reduce the risk of fire in the oven cavity:
 - (1). Do not overcook food. Carefully attend appliance when paper, plastic, or other combustible materials are placed inside the oven to facilitate cooking.
 - (2). Remove wire twist-ties from paper or plastic bag before placing bag in oven.
 - (3). If material inside of the oven ignite, keep oven door closed, turn oven off, and disconnect the power cord, or shut off power at the fuse or circuit breaker panel.
 - (4). Do not use the cavity for storage purposes. Do not leave paper products, cooking utensils, or food in the cavity when not in use.

17. Liquids, such as water, coffee, or tea are able to be overheated beyond the boiling point without appearing to be boiling. Visible bubbling or boiling when the container is removed from the microwave oven is not always present.

THIS COULD RESULT IN VERY HOT LIQUID SUDDENLY BOILING OVER WHEN THE CONTAINER IS DISTURBED OR A UTENSIL IS INSERTED INTO THE LIQUID.

To reduce the risk of injury to persons:

- (1) Do not overheat the liquid.
 - (2) Stir the liquid both before and halfway through heating it.
 - (3) Do not use straight-sided containers with narrow necks.
 - (4) After heating, allow the container to stand in the microwave oven for a short time before removing the container.
 - (5) Use extreme care when inserting a spoon or other utensil into the container.
18. As with any appliance, close supervision is necessary when the microwave oven is used by children.
19. If material inside of the oven should ignite, the oven door should be kept closed, the appliance turned off, the power cord disconnected, or the power shut off at the fuse or circuit breaker panel.

SAVE THESE INSTRUCTIONS

GROUNDING INSTRUCTIONS

This appliance must be grounded. In the event of an electrical short circuit, grounding reduces the risk of electric shock by providing an escape wire for the electric current. This appliance is equipped with a cord having a grounding wire with a grounding plug. The plug must be plugged into an outlet that is properly installed and grounded.

WARNING

Improper use of the grounding can result in a risk of electric shock.

Consult a qualified electrician or serviceman if the grounding instructions are not completely understood, or if doubt exists as to whether the appliance is properly grounded.

If it is necessary to use an extension cord, use only a 3-wire extension cord that has a 3-blade grounded plug, and 3-slot receptacle that will accept the plug on the appliance.

The marked rating of the extension cord shall be equal to or greater than the electrical rating of the appliance.

DANGER

Electric Shock Hazard

Touching some of the internal components can cause serious personal injury or death.

Do not disassemble this appliance.

WARNING

Electric Shock Hazard

Improper use of the grounding can result in electric shock. Do not plug into an outlet until appliance is properly installed and grounded.

1. A short power supply cord is provided to reduce the risks resulting from becoming entangled in or tripping over a longer cord.
2. Longer cord sets or extension cords are available and may be used if care is exercised in their use.
3. If a long cord or extension cord is used:
 - (1) The marked electrical rating of the cord set or extension cord should be at least as great as the electrical rating of the appliance.
 - (2) The extension cord must be a grounding-type 3-wire cord.
 - (3) The longer cord should be arranged so that it will not drape over the counter top or tabletop where it can be pulled on by children or tripped over unintentionally.

RADIO INTERFERENCE

1. Operation of the microwave oven may cause interference to your radio, TV or similar equipment.
2. When there is interference, it may be reduced or eliminated by taking the following measures:
 - (1) Clean door and sealing surface of the oven
 - (2) Reorient the receiving antenna of radio or television.
 - (3) Relocate the microwave oven with respect to the receiver.
 - (4) Move the microwave oven away from the receiver.
- (5) Plug the microwave oven into a different outlet so that microwave oven and receiver are on different branch circuits.

UTENSILS

CAUTION

Personal Injury Hazard

Tightly-closed utensils could explode. Closed containers should be opened and plastic pouches should be pierced before cooking.

See the instructions on "Materials you can use in microwave oven or to be avoided in microwave oven."

There may be certain non-metallic utensils that are not safe to use for microwaving. If in doubt, you can test the utensil in question following the procedure below.



Utensil Test:

1. Fill a microwave-safe container with 1 cup of cold water (250ml) along with the utensil in question.
2. Cook on maximum power for 1 minute.
3. Carefully feel the utensil. If the empty utensil is warm, do not use it for microwave cooking.
4. Do not exceed 1 minute cooking time.

MATERIALS YOU CAN USE IN MICROWAVE OVEN

Utensils	Remarks
Browning dish	Follow manufacturer's instructions. The bottom of browning dish must be at least 3/16 inch (5mm) above the turntable. Incorrect usage may cause the turntable to break.
Dinnerware	Microwave-safe only. Follow manufacturer's instructions. Do not use cracked or chipped dishes.
Glass jars	Always remove lid. Use only to heat food until just warm. Most glass jars are not heat resistant and may break.
Glassware	Heat-resistant oven glassware only. Make sure there is no metallic trim. Do not use cracked or chipped dishes.
Oven cooking bags	Follow manufacturer's instructions. Do not close with metal tie. Make slits to allow steam to escape.
Paper plates and cups	Use for short-term cooking/warming only. Do not leave oven unattended while cooking.
Paper towels	Use to cover food for reheating and absorbing fat. Use with supervision for a short-term cooking only.
Parchment paper	Use as a cover to prevent splattering or a wrap for steaming.
Plastic	Microwave-safe only. Follow the manufacturer's instructions. Should be labeled "Microwave Safe". Some plastic containers soften, as the food inside gets hot. "Boiling bags" and tightly closed plastic bags should be slit, pierced or vented as directed by package.
Plastic wrap	Microwave-safe only. Use to cover food during cooking to retain moisture. Do not allow plastic wrap to touch food.
Thermometers	Microwave-safe only (meat and candy thermometers).
Wax paper	Use as a cover to prevent splattering and retain moisture.

MATERIALS TO BE AVOIDED IN MICROWAVE OVEN

Utensils	Remarks
Aluminum tray	May cause arcing. Transfer food into microwave-safe dish.
Food carton with metal handle	May cause arcing. Transfer food into microwave-safe dish.
Metal or metaltrimmed utensils	Metal shields the food from microwave energy. Metal trim may cause arcing.
Metal twist ties	May cause arcing and could cause a fire in the oven.
Paper bags	May cause a fire in the oven.
Plastic foam	Plastic foam may melt or contaminate the liquid inside when exposed to high temperature.
Wood	Wood will dry out when used in the microwave oven and may split or crack.

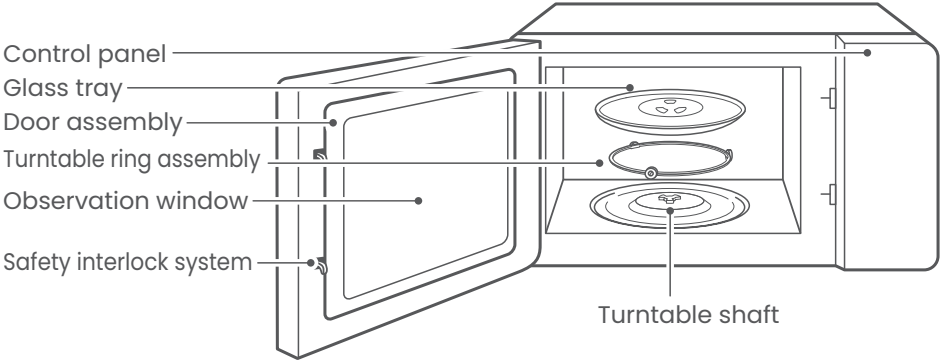
SETTING UP YOUR OVEN

Names of Oven Parts and Accessories

Remove the oven and all materials from the carton and oven cavity.

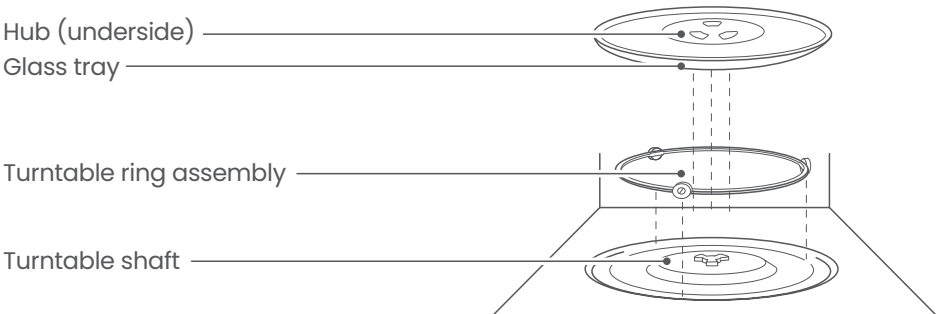
Your oven comes with the following accessories:

Glass tray x1 Turntable ring assembly x1 Instruction Manual x1



Turntable installation

- Never place the glass tray upside down. The glass tray should never be restricted.
- Both glass tray and turntable ring assembly must always be used during cooking.
- All food and containers of food are always placed on the glass tray for cooking.
- If glass tray or turntable ring assembly cracks or breaks, contact your nearest authorized service center.



COUNTERTOP INSTALLATION

Remove all packing material and accessories.

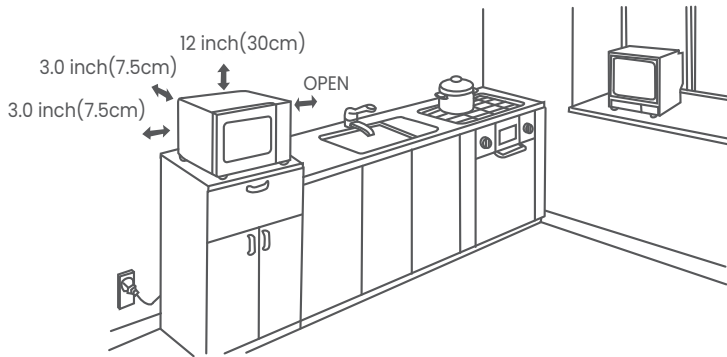
Examine the oven for any damage such as dents or broken door. Do not install if oven is damaged.

Cabinet: Remove any protective film found on the microwave oven cabinet surface.

Do not remove the light brown Mica cover that is attached to the oven cavity to protect the magnetron.

INSTALLATION

1. Select a level surface that provide enough open space for the intake and/or outlet vents.



A minimum clearance of 3.0 inches (7.5cm) is required between the oven and any adjacent walls. One side must be open.

- (1) Leave a minimum clearance of 12 inches (30cm) above the oven.
- (2) Do not remove the legs from the bottom of the oven.
- (3) Blocking the intake and/or outlet openings can damage the oven.
- (4) Place the oven as far away from radios and TV as possible.

Operation of microwave oven may cause interference to your radio or TV reception.

2. Plug your oven into a standard household outlet. Be sure the voltage and the frequency is the same as the voltage and the frequency on the rating label.

WARNING: Do not install oven over a range cooktop or other heat-producing appliance. If installed near or over a heat source, the oven could be damaged and the warranty would be void.

OPERATION

1. POWER LEVEL

11 power levels are available.

Level	10	9	8	7	6	5	4	3	2	1	0
Power	100%	90%	80%	70%	60%	50%	40%	30%	20%	10%	0%
Display	PL10	PL9	PL8	PL7	PL6	PL5	PL4	PL3	PL2	PL1	PL0

2. CLOCK SETTING

1. Press "CLOCK", "00:00" will display.
2. Press the number keys and enter the current time. For example, time is 12:10 now, please press "1,2,1,0" in turn.
3. Press "CLOCK" to finish clock setting. ":" will flash and the clock will be lighted.
4. If the numbers input are not within the range of 1:00--12:59, the setting will be invalid until valid numbers are input.



NOTE

- In the process of clock setting, if the "STOP/CANCEL" button is pressed or if there is no operation within 1 minute, the oven will go back to the former setting automatically.
- If the clock need to be reset, please repeat step 1 to step 3.

3. KITCHEN TIMER

1. Press "KITCHEN TIMER", screen will display 00:00, the first hour figure flash.
2. Press the number keys and enter the timer time.(the maximum cooking time is 99 minutes and 99 seconds).
3. Press "START/+30SEC." to confirm setting.
4. When the timer time arrives, the buzzer will ring 5 times. If the clock be set (12-hour system), screen will display the current time.



NOTE

- The kitchen time is differ from 12-hour system,Kitchen Timer is a timer.
- During kitchen timer, any program cannot be set.

4. MICROWAVE COOK

1. Press "TIME COOK" once, screen will display "00:00".
2. Press number keys to input the cooking time; the maximum cooking time is 99 minutes and 99 seconds.
3. Press " POWER " once, screen will display "PL10". The default power is 100% power. Now you can press number keys to adjust the power level.
4. Press " START/+30SEC." to start cooking.

Example: to cook the food with 50% microwave power for 15 minutes.

- a. Press "TIME COOK" once."00:00" displays.
- b.Press "1","5","0","0" in order.
- c.Press "POWER"once,then press "5" to select 50% microwave power.
- d.Press "START/+30SEC." to start cooking.

NOTE

- In the process of setting, if the " STOP/CANCEL" button is pressed or if there is no operation within 1 minute, the oven will go back to the former setting automatically.
- If "PL0" selected, the oven will work with fan for no power.
- During microwave cooking, "POWER" can be pressed to change the power you need. After pressing "POWER", the current power flash for 3 seconds, now you can press number button to change the power. The oven will work with the selected power for the rest time.

5. SPEEDY COOKING

1. In waiting state, instant cooking at 100% power level can be started by select a cooking time from 1 to 6 minutes by pressing number pads 1 to 6. Press " START/+30SEC." to increase the cooking time; the maximum cooking time is 99 minutes and 99 seconds.
2. In waiting state, instant cooking at 100% power level with 30 seconds' cooking time can be started by pressing " START/+30SEC ". Each press on the same button will increase cooking time by 30 seconds. the maximum cooking time is 99 minutes and 99 seconds.

NOTE

- during microwave cooking and time defrost, time can be added by pressing "START/+30SEC." button.

6. WEIGHT DEFROST FUNCTION

1. Press " WEIGHT DEFROST ", screen will display "dEF1".
2. Press numerical buttons to input weight to be defrosted. Input the weight ranged between 4~100 Oz.
3. If the weight input is not within 4~100 Oz, the input will be invalid.
4. Press " START/+30SEC. " to start defrosting and the cooking time remained will be displayed.

7. TIME DEFROST FUNCTION

1. Press " TIME DEFROST ", screen will display "dEF2".
2. Press number pads to input defrosting time. The effective time range is 00:01~99:99
3. The default microwave power is power level 3. If you want to change the power level, press " POWER " once, and the screen will display "PL 3", then press the number pad of the power level you wanted.
4. Press " START/+30SEC. " to start defrosting. The remained cooking time will be displayed.

8. POPCORN

1. Press "POPCORN "repeatedly until the number you wish appears in the display, "1.75", "3.0", "3.5" Oz will display in order. For example, press "POPCORN" once, "1.75" appears.
2. Press " START/+30 SEC. " to cook, buzzer sounds once.When cooking finishes, buzzer sounds five times and then turn back to waiting state.

9.POTATO

1. Press "POTATO " repeatedly until the number you wish appears in the display, "1","2","3" will display in order.
"1"SET : 1 potato (approximate 230 gram)
"2"SETS: 2 potatoes (approximate 460 gram)
"3"SETS: 3 potatoes (approximate 690 gram)
For example, press "POTATO" once , "1" appears.
2. Press" START/+30 SEC. " to cook, buzzer sounds once. When cooking finishes, buzzer sounds five times and then turn back to waiting state.

10.FROZEN VEGETABLE

1. Press" FROZEN VEGETABLE " repeatedly until the number you wish appears in the display, "4.0", "8.0", "16.0" Oz will display in order.
For example, press "FROZEN VEGETABLE" once , "4.0" appears.
2. Press " START/+30 SEC. " to cook, buzzer sounds once.When cooking finishes, buzzer sounds five times and then turn back to waiting state.

11.BEVERAGE

1. Press "BEVERAGE " repeatedly until the number you wish appears in the display, "1", "2","3" cup will display in order. One cup is about 120ml. For example, press "BEVERAGE" once , "1" appears.
2. Press "START/+30 SEC. " to cook, buzzer sounds once.When cooking finishes, buzzer sounds five times and then turn back to waiting state.

12.DINNER PLATE

1. Press "DINNER PLATE " repeatedly until the number you wish appears in the display, "9.0", "12.0", "18.0" Oz will display in order.
For example, press "DINNER PLATE" once , "9.0" appears.
2. Press "START/+30 SEC. " to cook, buzzer sounds once. When cooking finishes, buzzer sounds five times and then turn back to waiting state.

13. PIZZA

1. Press "PIZZA" repeatedly until the number you wish appears in the display, "4.0", "8.0", "14.0" Oz will display in order.
For example, press "PIZZA" once, "4.0" appears.
2. Press "START/+30 SEC." to cook, buzzer sounds once. When cooking finishes, buzzer sounds five times and then turn back to waiting state.

14. MEMORY FUNCTION

1. Press "0/MEMORY" to choose memory 1-3 procedure. The screen will display 1,2,3.
2. If the procedure has been set, press "START/ +30 SEC." to use it. If not, continue to set the procedure. Only one or two stages can be set.
3. After finishing the setting, press "START/ +30 SEC." once to save the procedure and turn back to the waiting states. If press "START/ +30 SEC." again, it will start cooking.

Example: to set the following procedure as the second memory, that is memory 2. To cook the food with 80% microwave power for 3 minutes and 20 seconds.

The steps are as follow:

- a. In waiting states, press "0/MEMORY" twice, stop pressing until the screen displays "2".
- b. Press "TIME COOK" once, then press "3","2","0" in order.
- c. Press "POWER" once, "PL10" display, then press "8" and "PL8" displays.
- d. Press "START/ +30 SEC." to save the setting. Buzzer sounds once then turn back to waiting states. If you press "START/+30SEC." twice after step c, the procedure will be saved as the memory 2 and operated.
- e. If the electricity is not cut off, the procedure will be saved all the time. If it is, the procedure need to reset.
- f. If you want to run the saved procedure, in waiting states, press "0/MEMORY" twice, screen displays "2", then press "START/+30SEC." to run.

15. MULTI-STAGE COOKING

At most 2 stages can be set for cooking. In multi-stage cooking, if one stage is defrosting, then defrosting shall be placed at the first stage automatically.

NOTE

- Auto cooking cannot work in the multi-stage cooking.

Example: if you want to cook with 80% microwave power for 5 minutes + 60% microwave power for 10 minutes. The cooking steps are as following:

1. Press "TIME COOK" once, then press "5", "0", "0" to set the cooking time;
2. Press "POWER" once, then press "8" to select 80% microwave power.
3. Press "TIME COOK" once, then press "1", "0", "0", "0" to set the cooking time;
4. Press "POWER" once, then press "6" to select 60% microwave power.
5. Press "START/ +30 SEC." to start cooking.

16. INQUIRING FUNCTION

1. In cooking state, press " CLOCK ", the screen will display clock for three seconds.
2. In the microwave cooking state, press " POWER " to inquire microwave power level, and the current microwave power will be displayed. After three seconds, the oven will turn back to the previous state. In multi-stage state, the inquiring way can be done by the same way as above.

17. LOCK FUNCTION FOR CHILDREN

Lock: In waiting state, press " STOP/CANCEL " for 3 seconds, there will be a long "beep" denoting the entering into the children-lock state; meanwhile, screen will display "[_ _ _]"

Lock quitting: In locked state, press " STOP/CANCEL " for 3 seconds, there will be a long "beep" denoting that lock is released.

18. COOKING END REMINDING FUNCTION

When the cooking is over, the buzzer will sound 5 "beep" to alert user the cooking is finished.

19. OTHER SPECIFICATIONS

1. In standby state, if the set clock digital tube displays current time, the icon " : " would flash; otherwise, it shows " 0:00 ".
2. In setting function state, screen displays corresponding setting.
3. In working or pause state, screen displays surplus cooking time.

MAINTENANCE

Troubleshooting

Check your problem by using the chart below and try the solutions for each problem. If the microwave oven still does not work properly, contact the nearest authorized service center.

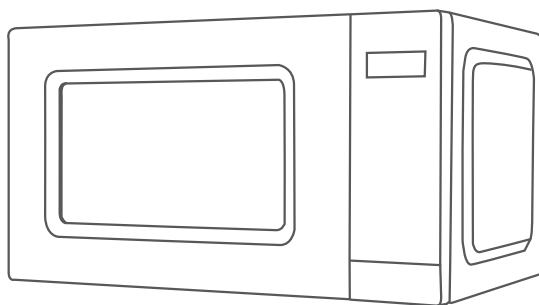
TROUBLE	POSSIBLE CAUSE	POSSIBLE REMEDY
Oven will not start	<ul style="list-style-type: none">a. Electrical cord for oven is not plugged in.b. Door is open.c. Wrong operation is set.	<ul style="list-style-type: none">a. Plug into the outlet.b. Close the door and try again.c. Check instructions.
Arcing or sparking	<ul style="list-style-type: none">a. Materials to be avoided in microwave oven were used.b. The oven is operated when empty.c. Spilled food remains in the cavity.	<ul style="list-style-type: none">a. Use microwave-safe cookware only.b. Do not operate with oven empty.c. Clean cavity with wet towel.
Unevenly cooked foods	<ul style="list-style-type: none">a. Materials to be avoided in microwave oven were used.b. Food is not defrosted completely.c. Cooking time, power level is not suitable.d. Food is not turned or stirred.	<ul style="list-style-type: none">a. Use microwave-safe cookware only.b. Completely defrost food.c. Use correct cooking time, power level.d. Turn or stir food.
Overcooked foods	<ul style="list-style-type: none">Cooking time, power level is not suitable.	<ul style="list-style-type: none">Use correct cooking time, power level.
Undercooked foods	<ul style="list-style-type: none">a. Materials to be avoided in microwave oven were used.b. Food is not defrosted completely.c. Oven ventilation ports are restricted.d. Cooking time, power level is not suitable.	<ul style="list-style-type: none">a. Use microwave-safe cookware only.b. Completely defrost food.c. Check to see that oven ventilation ports are not restricted.d. Use correct cooking time, power level.

TROUBLE	POSSIBLE CAUSE	POSSIBLE REMEDY
Improper defrosting	<ul style="list-style-type: none"> a. Materials to be avoided in microwave oven were used. b. Cooking time, power level is not suitable. c. Food is not turned or stirred. 	<ul style="list-style-type: none"> a. Use microwave-safe cookware only. b. Use correct cooking time, power level. c. Turn or stir food.

Midea America (Canada) Corp.
Markham, ON L3R 8V2
1-866-646-4332

comfee'

FOUR À MICRO-ONDES



MANUEL D'UTILISATION

CM-M201K(BK) / CM-M201K(WH)

RÉPERTOIRE

PRÉCAUTIONS POUR ÉVITER L'EXPOSITION POSSIBLE À UNE ÉNERGIE MICRO-ONDES EXCESSIVE	FR-2
SPÉCIFICATIONS	FR -2
CONSIGNES DE SÉCURITÉ.....	FR-3
INSTRUCTIONS DE MISE À LA TERRE.....	FR-7
USTENSILES.....	FR-10
CONFIGURATION DE VOTRE FOUR	FR-13
OPÉRATIONS.....	FR-15
1. NIVEAU DE PUISSANCE	FR-15
2. RÉGLAGE DE L'HORLOGE.....	FR-15
3. MINUTERIE DE CUISINE	FR-15
4. CUIRE AU MICRO-ONDES	FR-16
5. CUISSON RAPIDE	FR-17
6. DÉCONGÉLATION EN FONCTION DU POIDS	FR-17
7. FONCTION DE DÉGIVRAGE	FR-17
8. POPCORN	FR-18
9. POMME DE TERRE	FR-18
10. LÉGUME CONGELÉ	FR-18
11. BOISSON	FR-18
12. ASSIETTE REPAS	FR-19
13. PIZZA	FR-19
14. FONCTION MEMOIRE	FR-19
15. CUISSON EN PLUSIEURS ÉTAPES	FR-20
16. FONCTION D'INTERROGATION	FR-20
17. FONCTION DE VERROUILLAGE POUR ENFANTS.....	FR-21
18. FONCTION DE RAPPEL DE FIN DE CUISSON	FR-21
19. AUTRES SPÉCIFICATIONS	FR-21
DÉPANNAGE	FR-22

Lire attentivement ces instructions avant d'utiliser votre four à micro-ondes et conservez-les soigneusement.

Si vous suivez les instructions, votre four vous fournira de nombreuses années de loyaux services.

CONSERVEZ PRÉCIEUSEMENT CES INSTRUCTIONS

PRÉCAUTIONS POUR ÉVITER L'EXPOSITION POSSIBLE À UNE ÉNERGIE MICRO-ONDES EXCESSIVE

1. N'essayez pas de faire fonctionner ce four avec la porte ouverte car cela peut entraîner une exposition nocive à l'énergie des micro-ondes. Il est important de ne pas annuler ou altérer les verrouillages de sécurité.
2. Ne placez aucun objet entre la face avant du four et la porte et ne laissez pas de saleté ou de résidus de nettoyant s'accumuler sur les surfaces d'étanchéité.
3. N'utilisez pas le four s'il est endommagé. Il est particulièrement important que la porte du four se ferme correctement et que :
 - a. PORTE (courbée)
 - b. CHARNIÈRES ET LOQUETS (cassés ou desserrés)
 - c. JOINTS DE PORTE ET SURFACE D'ÉTANCHÉITÉ
4. Le four ne doit pas être réglé ou réparé par qui que ce soit à l'exception d'un personnel de dépannage qualifié.

Spécifications

Contenu	Paramètre
Modèle:	CM-M201K(BK) / CM-M201K(WH)
Tension nominale:	120V~ 60Hz
Puissance d'entrée (micro-ondes):	1050 W
Puissance de sortie nominale (micro-ondes):	700 W
Capacité du four:	0.7 CU.FT.
Diamètre Plateau tournant:	∅ 10 inch
Dimensions externes:	17.3*13.1*10.2 inch
Poids Net:	Environ. 20,2 lbs

CONSIGNES DE SÉCURITÉ IMPORTANTES



Pour réduire le risque de brûlures, électrocution, incendie, blessures ou exposition à une énergie excessive du four à micro-ondes lors de l'utilisation de votre appareil, suivez les précautions de sécurité de base, notamment les suivantes :

1. Lisez toutes les instructions avant d'utiliser l'appareil.
2. Lisez et suivez les spécificités : «PRÉCAUTIONS POUR ÉVITER L'EXPOSITION POSSIBLE À UNE ÉNERGIE MICRO-ONDES EXCESSIVE» à la page FR-2.
3. Comme pour la plupart des appareils de cuisson, une surveillance étroite est nécessaire pour réduire le risque d'incendie dans la cavité du four.
4. Pour réduire le risque d'incendie dans la cavité du four :
 - a. Ne faites pas trop cuire les aliments. Surveillez attentivement l'appareil si vous avez placé un objet en papier, plastique ou autre matériau combustible dans la cavité pour faciliter la cuisson.
 - b. Retirez les attaches métalliques et les poignées métalliques des contenants/sacs en papier ou en plastique avant de les placer dans le four.
 - c. Si des matériaux à l'intérieur du four s'enflamment, gardez la porte du four fermée. Éteignez le four et débranchez le cordon d'alimentation. Débranchez le cordon d'alimentation, coupez l'alimentation au niveau du fusible ou du panneau du disjoncteur.

- d. N'utilisez pas la cavité à des fins de stockage.
Ne laissez pas de produits en papier, d'ustensiles de cuisine ou de nourriture dans la cavité lorsqu'ils ne sont pas utilisés.
5. Ce four doit être mis à la terre. Branchez uniquement à une prise correctement mise à la terre. Voir «INSTRUCTIONS DE MISE À LA TERRE» à la page FR-7.
6. Installez ou localisez ce four uniquement conformément aux instructions d'installation fournies.
7. Certains produits tels que les oeufs entiers et les récipients scellés – par exemple, les bocaux en verre fermés – peuvent exploser et ne doivent pas être chauffés dans le four.
8. N'utilisez cet appareil que pour les utilisations prévues décrites dans ce manuel. N'utilisez pas de produits chimiques ou de vapeurs corrosifs dans cet appareil. Ce four est spécialement conçu pour chauffer, cuire ou sécher des aliments. Cet appareil n'est pas conçu pour une utilisation industrielle ou en laboratoire.
9. Comme pour tout appareil, une surveillance étroite est nécessaire lorsqu'il est utilisé par des enfants.
10. N'utilisez jamais ce four si le cordon ou la fiche est endommagé, s'il ne fonctionne pas correctement, s'il a subi une chute ou endommagé ou s'il est tombé.

11. Ce micro-ondes ne doit être entretenu que par du personnel qualifié.
12. Contactez le centre de service agréé le plus proche pour examen, réparation ou réglage.
13. Ne couvrez pas et ne bloquez aucune ouverture du four.
14. Ne stockez pas et n'utilisez pas cet appareil à l'extérieur.
15. N'utilisez pas ce four près de l'eau, par exemple près d'un évier de cuisine, dans un sous-sol humide, près d'une piscine ou dans des endroits similaires.
16. N'immergez pas le cordon ou la fiche dans l'eau.
17. Garder le cordon éloigné des surfaces chauffées.
18. Ne laissez pas le cordon pendre par le bord de la table ou du comptoir.
19. Lors du nettoyage des surfaces de la porte et du four qui se rejoignent lors de la fermeture, utilisez uniquement des savons ou détergents doux non abrasifs appliqués avec une éponge d'un chiffon doux.
20. Cet appareil est destiné à un usage domestique uniquement.

21. Les liquides, tels que l'eau, le café ou le thé, peuvent surchauffer au-delà du point d'ébullition sans avoir l'air de bouillir. Un bouillonnement ou une ébullition visible lorsque le récipient est retiré du four à micro-ondes n'est pas toujours présent. CELA POURRAIT ENTRAÎNER DES LIQUIDES TRÈS CHAUDS EN BOUILLANT SUDEMENT LORSQUE LE RÉCIPIENT EST DÉRANGÉ OU UNE CUILLÈRE OU UN AUTRE UTILSIL EST INSÉRÉ DANS LE LIQUIDE.
- Ne surchauffez pas le liquide.
 - Remuez le liquide avant et à mi-cuisson.
 - N'utilisez pas de récipients à parois droites à col étroit.
 - Après chauffage, laissez le récipient reposer dans le four à micro-ondes pendant un court instant avant de retirer le récipient.
 - Soyez extrêmement prudent lorsque vous insérez une cuillère ou un autre ustensile dans le récipient.

CONSERVER LES PRÉSENTES DIRECTIVES

INSTRUCTIONS DE MISE À LA TERRE



DANGERE

Risque d'électrocution Toucher certains composants internes peut provoquer des blessures graves voire mortelles. Ne démontez pas cet appareil.

Ce four doit être mis à la terre. En cas de court-circuit électrique, la mise à la terre réduit le risque de choc électrique en fournissant un fil d'échappement pour le courant électrique. Pour se protéger contre les chocs électriques, cet appareil est équipé d'un cordon doté d'une fiche de mise à la terre à 3 broches à insérer dans une prise de mise à la terre appropriée. NE modifiez PAS la fiche pour une utilisation dans une prise à 2 broches. Si la fiche ne rentre pas dans une prise, faites installer la prise appropriée par un électricien qualifié.



ATTENTION

N'insérez pas vos doigts dans des trous ou des vides, cela peut provoquer des blessures.

INSTRUCTIONS DE MISE À LA TERRE



AVERTISSEMENT

Tout câblage incorrect de la fiche de terre peut entraîner un risque de choc électrique.

Consultez un électricien ou un réparateur qualifié si les instructions de mise à la terre ne sont pas complètement comprises ou en cas de doute quant à la mise à la terre de l'appareil. S'il est nécessaire d'utiliser une rallonge, utilisez uniquement une rallonge à 3 fils dotée d'une fiche de mise à la terre à 3 broches et des prises à 3 positions qui acceptent la fiche de l'appareil. La puissance nominale de la rallonge doit être égale ou supérieure à la puissance électrique de l'appareil.

1. Un cordon d'alimentation court est fourni afin de limiter le risque d'enchevêtrement et de trébuchement.
2. Des jeux de cordons plus longs ou des rallonges sont disponibles et peuvent être utilisés si un soin particulier est apporté à leur utilisation.
3. Si un long cordon ou une rallonge est utilisé :
 - a. La puissance électrique marquée du jeu de cordons ou de la rallonge est la puissance qui doit être au moins aussi élevée que la puissance électrique de l'appareil.
 - b. La rallonge doit être à 3 fils de type mise à la terre.
 - c. La rallonge doit être disposée de telle façon qu'elle ne dépasse pas du comptoir ou de la table d'où elle pourrait être tirée par un enfant ou faire trébucher.

INSTRUCTIONS DE MISE À LA TERRE

INTERFÉRENCE RADIO

Le fonctionnement du four à micro-ondes peut provoquer des interférences avec votre radio, télévision ou équipement similaire. Lorsqu'il y a des interférences, elles peuvent être réduites ou éliminées en prenant les mesures suivantes :

1. Nettoyez la porte et les surfaces d'étanchéité du four.
2. Réorientez l'antenne de réception de la radio ou du téléviseur.
3. Déplacez le four à micro-ondes par rapport au récepteur.
4. Éloignez le four à micro-ondes du récepteur.
5. Branchez le four à micro-ondes dans une autre prise de sorte qu'il devienne et le récepteur se trouvent sur des circuits de dérivation différents.

USTENSILES

ATTENTION

Risque d'électrocution

Des ustensiles bien fermés pourraient exploser. Les récipients fermés doivent être ouverts et les sachets en plastique doivent être percés avant la cuisson.

Voir les instructions sur «Matériaux que vous pouvez utiliser ou à éviter dans un four à micro-ondes». Il peut y avoir certains ustensiles non métalliques qui ne sont pas sûrs à utiliser dans un four micro-ondes. En cas de doute, vous pouvez tester l'ustensile en question en suivant la procédure ci-dessous.

CONSERVEZ CE GUIDE D'UTILISATION INTÉRIEUR DES MÉNAGES UNIQUEMENT TEST USTENSIL:

1. Remplissez un récipient allant au four micro-ondes avec 1 tasse d'eau froide (250 ml) avec l'ustensile en question.
2. Cuisez à puissance maximale pendant 1 minute.
3. Sentez soigneusement l'ustensile. Si l'ustensile vide est chaud, ne l'utilisez pas pour la cuisson au four micro-ondes.
4. Ne dépassez pas 1 minute de cuisson.

MATIÈRES QUE VOUS POUVEZ UTILISER DANS LE FOUR MICRO-ONDES

Ustensiles	Remarques
Plat à gratin	Suivez les instructions du fabricant. L'arrière du plat à gratin doit être placé à au moins 3/16 pouce (5cm) sur le plateau tournant. Un usage incorrect peut entraîner la cassure du plateau tournant.
Vaisselle	Uniquement compatible pour four à micro-ondes. Suivez les instructions du fabricant. N'utilisez pas de vaisselle cassée ou ébréchée.
Bocaux en verre	Enlevez toujours le couvercle. Utilisez uniquement pour chauffer de la nourriture jusqu'à qu'elle soit chaude. La plupart des bocaux en verre ne sont pas résistants à la chaleur et peuvent se casser.
Verrerie	Uniquement de la verrerie pour four résistant à la chaleur. Soyez sûr qu'il n'y a pas de coupe métallique. N'utilisez pas de vaisselle cassée ou ébréchée.
Sacs de cuisson au four	Suivez les instructions du fabricant. Ne les fermez pas avec une cravate en métal. Faites des fentes pour permettre à la vapeur de s'échapper.
Assiettes et gobelets en papier	Utilisez uniquement pour une cuisson courte/chaude. Ne laissez pas le four sans surveillance pendant la cuisson.
Serviettes en papier	Utilisez-les pour couvrir la nourriture pour réchauffer ou pour absorber le gras. Utilisez uniquement sous surveillance pour une cuisson courte.
Papier de parchemin	Utilisez comme une couverture pour empêcher l'éclaboussement ou comme une enveloppe pour une cuisson vapeur.
Plastique	Uniquement compatible au four à micro-ondes. Suivez les instructions du fabricant. Devrait être labélisé "Adapté à une cuisson au four à micro-ondes". Certains récipients en plastique assèchent, comme la nourriture à l'intérieur chauffe. "Les sachets de cuisson" et les sacs hermétiquement fermés doivent être entaillés, percés selon les instructions du paquet.
Film plastique	Uniquement compatible au four à micro-ondes. Sert à couvrir les aliments pendant la cuisson afin de conserver l'humidité. Ne laissez pas le film plastique toucher les aliments.
Thermomètre	Uniquement compatible au four à micro-ondes (viande et thermomètres de confiserie)
Papier sulfurisé	Utilisez comme une couverture pour empêcher l'éclaboussement ou conserver l'humidité.

MATÉRIAUX À ÉVITER DANS LE FOUR À MICRO-ONDES

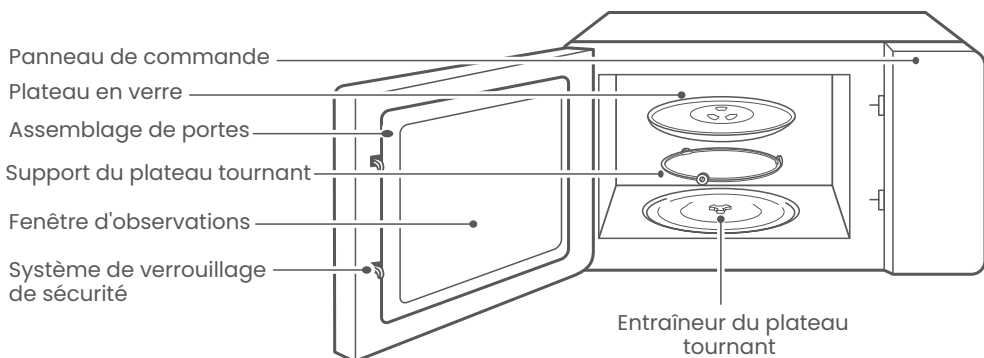
Ustensiles	Remarques
Plateau d'aluminium	Peut provoquer des étincelles. Transférez la nourriture dans une vaisselle sûre de four à micro-ondes.
Carton de nourriture avec poignée en métal	Peut provoquer des étincelles. Transférez la nourriture dans une vaisselle sûre de four à micro-ondes.
Ustensiles en métal ou en métal garnis	Protection métallique de la nourriture contre l'énergie micro-ondes. Les garnitures métalliques peuvent provoquer des étincelles.
Attaches métalliques	Peut s'enflammer dans le four.
Sacs en papier	Peut s'enflammer dans le four.
Mousse en plastique	La mousse en plastique peut faire fondre le liquide à l'intérieur quand il est exposé à une température élevée.
Bois	Le bois s'assèchera quand il est utilisé dans le four à micro-ondes et peut se fendre ou se fissurer.

CONFIGURATION DE VOTRE FOUR

Noms des Pièces et Accessoires du Micro-ondes

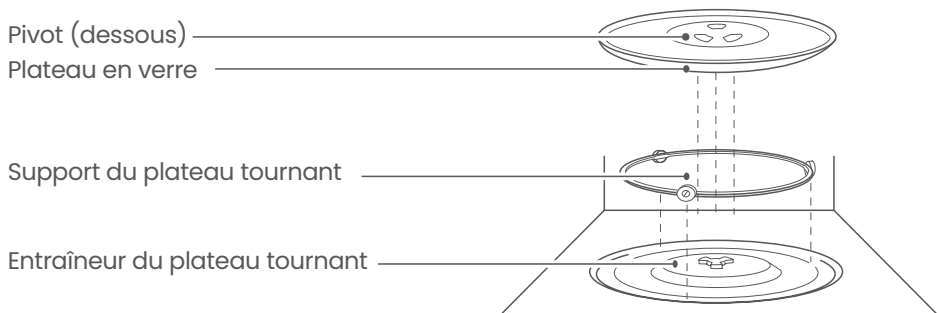
Votre micro-ondes est livré avec les accessoires suivants:

Plateau en verre x1 Support du plateau tournant x1 Manuel d'instructions x1



Installation du plateau tournant

- Ne jamais placer le plateau en verre à l'envers. Le plateau en verre ne doit jamais être restreint.
- Le plateau en verre et l'assemblage de le support du plateau tournant doivent toujours être utilisés pendant la cuisson.
- Tous les aliments et les récipients alimentaires doivent toujours être placés sur le plateau en verre pour la cuisson.
- Si le plateau en verre ou le support du plateau tournant se fissure ou se brise, contactez votre centre de



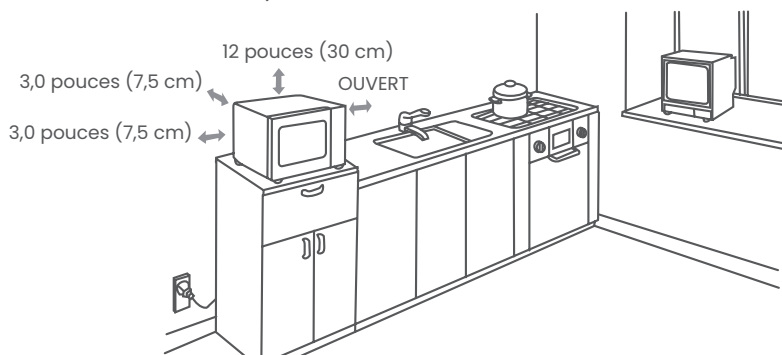
INSTALLATION DU COMPTOIR

Retirez tous les matériaux d'emballages et accessoires. Vérifiez si le four est endommagé tels que bosses ou porte cassée. Ne pas installer si le four est endommagé.

Cabinet : Retirez tout film protecteur trouvé sur la surface le cabinet du four à micro-ondes. Ne retirez pas le couvercle en mica brun clair qui est attaché à la cavité du four pour protéger le magnétron.

INSTALLATION

1. Choisissez une surface plane qui offre suffisamment d'espace ouvert pour les orifices d'entrée et/ou sortie d'air.



Un dégagement minimum de 3,0 pouces (7,5 cm) est requis entre le four et tout mur adjacent. Un côté doit être ouvert.

1. Laissez un espace minimum de 12 pouces (30 cm) au-dessus du four.
 2. Ne retirez pas les pieds du bas du four.
 3. L'obstruction des ouvertures d'entrée et/ou de sortie peut endommager le four.
 4. Placez le four aussi loin que possible de la radio et du téléviseur. Le fonctionnement du four à micro-ondes peut provoquer des interférences avec votre réception radio ou TV.
2. Branchez votre four dans une prise secteur standard. Assurez-vous que la tension et la fréquence sont les mêmes que la tension et la fréquence sur l'étiquette signalétique.

AVERTISSEMENT: N'installez pas le four sur une cuisinière ou tout autre appareil produisant de la chaleur. S'il est installé à proximité ou au-dessus d'une source de chaleur, le four pourrait être endommagé et la garantie serait annulée.

OPÉRATIONS

1. NIVEAU DE PUISSANCE

11 niveaux de puissance sont disponibles.

Niveau	10	9	8	7	6	5	4	3	2	1	0
Puissance	100%	90%	80%	70%	60%	50%	40%	30%	20%	10%	0%
Affichage	PL10	PL9	PL8	PL7	PL6	PL5	PL4	PL3	PL2	PL1	PL0

2. RÉGLAGE DE L'HORLOGE

1. Appuyez sur "CLOCK" ; "00:00" s'affiche.
2. Appuyez sur les touches numériques et entrez l'heure actuelle. Par exemple, l'heure est 12:10 maintenant, veuillez appuyer sur "1,2,1,0" à son tour.
3. Appuyez sur "CLOCK" ; pour terminer le réglage de l'horloge. ":" clignotera et l'horloge s'allumera.
4. Si les nombres saisis ne sont pas compris entre 1: 00 et 12: 59, le réglage sera invalide jusqu'à ce que des nombres valides soient saisis.



Remarque

- Dans le processus de réglage de l'horloge, si le bouton "STOP / CANCEL" est enfoncé ou s'il n'y a pas d'opération dans la minute, le four revient automatiquement à l'ancien réglage.
- Si l'horloge doit être réinitialisée, veuillez répéter les étapes 1 à 3.

3. MINUTERIE DE CUISINE

1. Appuyez sur "KITCHEN TIMER" ; l'écran affichera 00:00, le premier chiffre de l'heure clignotera.
2. Appuyez sur les touches numériques et entrez l'heure de la minuterie. (le temps de cuisson maximum est de 99 minutes et 99 secondes)
3. Appuyez sur " START / + 30SEC. " Pour confirmer le réglage.
4. Lorsque l'heure de la minuterie arrive, la sonnerie retentit 5 fois. Si l'horloge est réglée (système 12 heures), l'écran affichera l'heure actuelle.



Remarque

- L'heure de la cuisine est différente du système de 12 heures, la minuterie de cuisine est une minuterie.
- Pendant la minuterie de cuisine, un programme annuel ne peut pas être réglé.

4. CUIRE AU MICRO-ONDES

1. Appuyez une fois sur "TIME COOK", l'écran affichera "00:00".
2. Appuyez sur les touches numériques pour saisir le temps de cuisson; le temps de cuisson maximum est de 99 minutes et 99 secondes.
3. Appuyez une fois sur "POWER", l'écran affichera "PL10". La puissance par défaut est de 100%. Vous pouvez maintenant appuyer sur les touches numériques pour régler le niveau de puissance.
4. Appuyez sur " START / + 30SEC." Pour démarrer la cuisson.

Exemple: pour cuire les aliments à 50% de puissance micro-ondes pendant 15 minutes.

- a. Appuyez une fois sur "TIME COOK". "00:00" s'affiche.
- b. Appuyez sur "1", "5", "0", "0" dans l'ordre.
- c. Appuyez sur "POWER"; une fois, puis appuyez sur "5" pour sélectionner 50% de puissance micro-ondes.
- d. Appuyez sur "START / + 30SEC." Pour démarrer la cuisson.



Remarque

- Dans le processus de réglage de l'horloge, si le bouton "STOP / CANCEL" est enfoncé ou s'il n'y a pas d'opération dans la minute, le four revient automatiquement à l'ancien réglage.
- Si "PL0" est sélectionné, le four fonctionnera avec un ventilateur sans puissance.
- Pendant la cuisson au micro-ondes, vous pouvez appuyer sur "POWER" pour modifier la puissance dont vous avez besoin. Après avoir appuyé sur "POWER", la puissance actuelle clignote pendant 3 secondes, vous pouvez maintenant appuyer sur le bouton numérique pour changer la puissance. Le four fonctionnera avec la puissance sélectionnée pendant le temps de repos.

5. CUISSON RAPIDE

1. En état d'attente, la cuisson instantanée à un niveau de puissance de 100% peut être démarrée en sélectionnant une cuisson de 1 à 6 minutes en appuyant sur les touches numériques 1 à 6. Appuyez sur "START / + 30SEC." Pour augmenter le temps de cuisson; le temps de cuisson maximum est de 99 minutes et 99 secondes.
2. En état d'attente, la cuisson instantanée à une puissance de 100% avec un temps de cuisson de 30 secondes peut être démarrée en appuyant sur "START / + 30SEC.". Chaque pression sur le même bouton augmente le temps de cuisson de 30 secondes. le temps de cuisson maximum est de 99 minutes et 99 secondes.



Remarque

- pendant la cuisson au micro-ondes et le temps de décongélation, le temps peut être ajouté en appuyant sur le bouton "START / + 30SEC."

6. Décongélation en fonction du poids

1. Appuyez sur "WEIGHT DEFROST" ; l'écran affichera "dEF1".
2. Appuyez sur les touches numériques pour saisir le poids à décongeler. Saisissez le poids compris entre 4-100 Oz.
3. Si la saisie du poids n'est pas comprise entre 4-100 Oz, l'entrée sera invalide.
4. Appuyez sur "START / + 30SEC." Pour démarrer la décongélation et le temps de cuisson restant sera affiché.

7. FONCTION DE DÉGIVRAGE

1. Appuyez sur "TIME DEFROST" ; l'écran affichera "dEF2".
2. Appuyez sur les touches numériques pour saisir le temps de décongélation. La plage horaire effective va de 00: 01 à 99: 99
3. La puissance du micro-onde par défaut est le niveau de puissance 3. Si vous souhaitez changer le niveau de puissance, appuyez une fois sur "POWER", et l'écran affichera "PL 3", puis appuyez sur le pavé numérique du niveau de puissance souhaité.
4. Appuyez sur "START / + 30SEC." pour démarrer la décongélation. Le temps de cuisson restant s'affiche.

8. POPCORN

1. Appuyez sur "POPCORN" à plusieurs reprises jusqu'à ce que le numéro souhaité apparaisse sur l'affichage, "1.75", "3.0", "3.5" Oz s'afficheront dans l'ordre. Par exemple, appuyez une fois sur "POPCORN", "1.75" apparaît.
2. Appuyez sur "START / + 30SEC." Pour cuire, la sonnerie retentit une fois. Lorsque la cuisson est terminée, la sonnerie retentit cinq fois, puis revient à l'état d'attente.

9. POMME DE TERRE

1. Appuyez à plusieurs reprises sur "POTATO" jusqu'à ce que le numéro que vous souhaitez s'affiche selon l'ordre "1", "2", "3".
ENSEMBLES "1": 1 pomme de terre (environ 230 grammes)
ENSEMBLES "2": 2 pommes de terre (environ 460 grammes)
ENSEMBLES "3": 3 pommes de terre (environ 690 grammes)
Par exemple, appuyez une fois sur "POTATO", "1" apparaît.
2. Appuyez sur "START / + 30SEC." Pour cuire, la sonnerie retentit une fois. Lorsque la cuisson est terminée, la sonnerie retentit cinq fois, puis revient à l'état d'attente.

10. LÉGUME CONGELÉ

1. Appuyez sur "FROZEN VEGETABLE"; à plusieurs reprises jusqu'à ce que le numéro souhaité apparaisse à l'écran, "4.0", "8.0", "16.0" Oz s'afficheront dans l'ordre.
Par exemple, appuyez une fois sur "FROZEN VEGETABLE", "4.0" apparaît.
2. Appuyez sur "START / + 30SEC." Pour cuire, la sonnerie retentit une fois. Lorsque la cuisson est terminée, la sonnerie retentit cinq fois, puis revient à l'état d'attente.

11. OISSON

1. Appuyez à plusieurs reprises sur "BEVERAGE" jusqu'à ce que le numéro que vous souhaitez s'affiche selon l'ordre "1", "2", "3". Une tasse est environ 120 ml Par exemple, appuyez une fois sur "BEVERAGE", "1" apparaît.
2. Appuyez sur "START / + 30 SEC." Pour cuire, la sonnerie retentit une fois. Lorsque la cuisson est terminée, la sonnerie retentit cinq fois, puis revient à l'état d'attente.

12. ASSIETTE REPAS

1. Appuyez plusieurs fois sur " DINNER PLATE " jusqu'à ce que le numéro souhaité apparaisse à l'écran, "9.0", "12.0", "18.0" Oz s'afficheront dans l'ordre. Par exemple, appuyez une fois sur " DINNER PLATE ", "9.0" apparaît.
2. Appuyez sur " START / + 30 SEC. " Pour cuire, la sonnerie retentit une fois. Lorsque la cuisson est terminée, la sonnerie retentit cinq fois, puis revient à l'état d'attente.

13. PIZZA

1. Appuyez sur " PIZZA " à plusieurs reprises jusqu'à ce que le numéro souhaité apparaisse sur l'affichage, "4.0", "8.0", "16.0" Oz s'afficheront dans l'ordre. Par exemple, appuyez une fois sur " PIZZA ", "4.0" apparaît.
2. Appuyez sur " START / + 30 SEC. " Pour cuire, la sonnerie retentit une fois. Lorsque la cuisson est terminée, la sonnerie retentit cinq fois, puis revient à l'état d'attente.

14. FONCTION MEMOIRE

1. Appuyez sur "0 / MEMORY" pour choisir la procédure de la mémoire 1-3. L'écran affichera 1,2,3.
2. Si la procédure a été définie, appuyez sur " START / + 30 SEC. " Pour l'utiliser. Sinon, continuez à définir la procédure. Seules une ou deux étapes peuvent être définies.
3. Une fois le réglage terminé, appuyez une fois sur " START / + 30SEC. " Pour enregistrer la procédure et revenir aux états d'attente. Si vous appuyez à nouveau sur " START / + 30 SEC. ", La cuisson commencera.

Exemple: pour définir la procédure suivante comme deuxième mémoire, c'est-à-dire la mémoire 2. pour cuire les aliments à 80% de puissance micro-ondes pendant 3 minutes et 20 secondes.

Les étapes sont les suivantes:

- a. Dans les modes d'attente, appuyez deux fois sur " 0 / MEMORY ", arrêtez d'appuyer jusqu'à ce que l'écran affiche "2".
- b. Appuyez une fois sur " TIME COOK ", puis appuyez sur "3", "2", "0" dans l'ordre.
- c. Appuyez une fois sur " POWER ", "PL10" s'affiche, puis appuyez sur "8" et "PL8" s'affiche.
- d. Appuyez sur " START / +30 SEC. " Pour enregistrer le réglage. La sonnerie retentit une fois, puis revient aux états d'attente. Si vous appuyez deux fois sur " START / + 30SEC." Après l'étape c, la procédure sera enregistrée dans la mémoire 2 et exécutée.

- e. Si l'électricité n'est pas coupée, la procédure sera sauvegardée à tout moment. Si tel est le cas, la procédure doit être réinitialisée.
- f. Si vous souhaitez exécuter la procédure sauvegardée, dans les états d'attente, appuyez deux fois sur " 0 /MEMORY ", l'écran affiche "2", puis appuyez sur " START / + 30SEC. " Pour exécuter.

15. Cuisson en plusieurs étapes

Au plus 2 étapes peuvent être réglées pour la cuisson. Dans la cuisson en plusieurs étapes, si l'une étape est la décongélation, la décongélation doit être placée automatique-ment à la première étape.



Remarque

- la cuisson automatique ne peut pas fonctionner dans la cuisson en plusieurs étapes.

Exemple: si vous voulez cuisiner avec 80% de puissance micro-ondes pendant 5 minutes + 60% puissance micro-ondes pendant 10 minutes. Les étapes de cuisson sont les suivantes:

1. Appuyez une fois sur " TIME COOK ", puis appuyez sur "5", "0", "0" pour régler le temps de cuisson;
2. Appuyez sur " POWER "; une fois, puis appuyez sur "8" pour sélectionner 80% de puissance micro-ondes.
3. Appuyez une fois sur " TIME COOK ", puis appuyez sur "1", "0", "0", "0" pour régler le temps de cuisson;
4. Appuyez sur " POWER "; une fois, puis appuyez sur "6" pour sélectionner 60% de puissance micro-ondes.
5. Appuyez sur " START / +30 SEC. " Pour démarrer la cuisson.

16. FONCTION D'INTERROGATION

1. En état de cuisson, appuyez sur " CLOCK "; l'écran affichera l'horloge pendant trois secondes.
2. Dans l'état de cuisson micro-ondes, appuyez sur " POWER " pour connaître le niveau de puissance du micro-ondes et la puissance actuelle du micro-ondes sera affichée. Après trois secondes, le four tournera retour à l'état précédent. Dans l'état de cuisson en plusieurs étapes, le moyen de recherche peut être fait de la même manière que ci-dessus.

17. FONCTION DE VERROUILLAGE POUR ENFANTS

Verrouiller: En état d'attente, appuyez sur " STOP / CANCEL " pendant 3 secondes, il y aura un long "bip" indiquant l'entrée dans l'état de verrouillage enfants; pendant ce temps, l'écran affichera " [_ _ _] " .

Déverrouillage : En état verrouillé, appuyez sur " STOP / CANCEL " pendant 3 secondes, il y aura un long " bip " indiquant le déverrouillage.

18. FONCTION DE RAPPEL DE FIN DE CUISSON

Lorsque la cuisson est terminée, le buzzer émettra 5 "bip" pour avertir l'utilisateur que la cuisson est terminée.

19. AUTRES SPÉCIFICATIONS

1. En mode de veille, si le tube numérique de l'horloge réglée affiche l'heure actuelle, l'icône ":" clignote, sinon elle indique " 0:00 " .
2. Dans l'état de la fonction de réglage, l'écran affiche le réglage correspondant.
3. En état de fonctionnement ou de pause, l'écran affiche le temps de cuisson excédentaire.

DÉPANNAGE

Vérifiez votre problème en utilisant le tableau ci-dessous et essayez les solutions pour chaque problème.

PROBLÈME	Cause possible	Solution possible
Le four ne démarre pas	<ol style="list-style-type: none">Le cordon électrique du four n'est pas branché.La porte est ouverte.Une mauvaise opération est définie.	<ol style="list-style-type: none">Branchez dans la prise.Fermez la porte et réessayez.Vérifiez les instructions
Arc ou étincelles	<ol style="list-style-type: none">Les matériels déconseillés dans le four à micro-ondes ont été utilisés.Le four est utilisé lorsqu'il est vide.De la nourriture renversée reste dans le four.	<ol style="list-style-type: none">Utilisez uniquement des ustensiles de cuisine pour micro-ondes.N'utilisez pas le four lorsque celui-ci est vide.Nettoyez l'intérieur avec une serviette humide.
Aliments cuits de manière inégale	<ol style="list-style-type: none">Les matériels déconseillés dans le four à micro-ondes ont été utilisés.Les aliments ne sont pas complètement dégelés.La durée de cuisson ou le niveau de puissance ne convient pas.Les aliments ne sont pas tournés ou mélangés.	<ol style="list-style-type: none">Utilisez uniquement des ustensiles de cuisine pour micro-ondes.Dégelez complètement les aliments.Utilisez une durée de cuisson et un niveau de puissance appropriés.Tournez ou remuez les aliments.
Aliments trop cuits	La durée de cuisson ou le niveau de puissance ne convient pas.	Utilisez une durée de cuisson et un niveau de puissance appropriés.
Aliments insuffisamment cuits	<ol style="list-style-type: none">Les matériels déconseillés dans le four à micro-ondes ont été utilisés.Les aliments ne sont pas complètement dégelés.Les orifices de ventilation du four sont bloqués.La durée de cuisson ou le niveau de puissance ne convient pas.	<ol style="list-style-type: none">Utilisez uniquement des ustensiles de cuisine pour micro-ondes.Dégelez complètement les aliments.Vérifiez que les orifices de ventilation du four ne sont pas bloqués.Utilisez une durée de cuisson et un niveau de puissance appropriés.
Décongélation incorrecte	<ol style="list-style-type: none">Des matières à éviter dans le four à micro-ondes ont été utilisées.La durée de cuisson ou le niveau de puissance ne convient pas.Les aliments ne sont pas tournés ou mélangés.	<ol style="list-style-type: none">Utilisez uniquement des ustensiles de cuisine pour micro-ondes.Utilisez une durée de cuisson et un niveau de puissance appropriés.Tournez ou remuez les aliments.

Midea America (Canada) Corp.
Markham, ON L3R 8V2
1-866-646-4332