

Amana Bottom Freezer Refrigerator Owner's Manual

English	1
Español	21
Français	42

Keep these instructions for future reference. Be sure this manual stays with refrigerator.

Contents


- Electrical Requirements 2
- Service 2
- Asure™ Extended Service Plan 2
- Proper Disposal of Your Refrigerator 3
- Parts and Accessories 3
- Model Identification 3
- Installation Instructions 4
 - Space Requirements 4
 - Leveling Refrigerator 4
 - Door Reversal 4
 - Connect ice maker water supply line 7
- Installation Checklist 8
- Controls 9
 - Fresh Food and Deepfreeze™ Controls 9
 - Setting Controls 9
- Fresh Food Features 9
 - Fresh Food Shelves 9
 - Garden Fresh™ Crispers 10
 - Adjustable Deli Drawer™ 10
 - Chiller Fresh™ System 10
 - Storage Rack 11
 - Covered Storage Bucket 11
 - Dairy Center 11
 - Door Buckets 11
 - Tall Package Retainer 11
 - Door Shelves 12
 - Adjustable Divider 12
- Deepfreeze™ Features 12
 - Frost-Free System 12
 - Automatic Ice Maker 12
 - Ice Service Rack 12
 - Glass Shelf 13
 - Wire Shelf 13
 - Wire Basket 13
 - Door Shelves 13
 - Ice Bin 14
 - Wire Divider 14
 - Pivot Bin™ 14
- Care and Cleaning 14
 - General Cleaning 14
 - Adhesives 14
 - Door Gaskets 14
 - Condenser Coils 14
 - Glass Shelves 15
 - Odor Removal 15
 - Light Bulbs Replacement 15
- Normal Operating Sounds 16
- Before Calling For Service 17
- Vacation Tips 19
- Energy Tips 19
- Warranty 20

Note

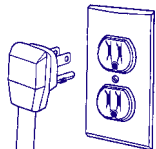
Translation may sometimes cause variations in meaning. In all cases where meaning varies, the most accurate meaning will be the English version of this document.

Electrical Requirements

 **Recognize this symbol as a safety precaution.**

 **WARNING**

Electrical Grounding Instructions —
This refrigerator is equipped with a three-prong (grounding) plug for protection against possible shock hazards. If you encounter a two-prong receptacle, contact a qualified electrician and have the two-prong wall receptacle replaced with a properly grounded three-prong wall receptacle in accordance with the National Electrical Code.



Refrigerator is designed to operate on a separate 103 to 126 volt, 15 amp., 60 cycle line.

Do not under any circumstances cut or remove the round grounding prong from the plug. Refrigerator must be grounded at all times. Do not remove warning tag from power cord.

Do not use a two-prong adapter. Do not use an extension cord.

Service

Keep a copy of sales receipt for future reference or in case warranty service is required. Any questions or to locate an authorized servicer, call 1-800-NAT-LSVC (1-800-628-5782) inside U.S.A. 319-622-5511 outside U.S.A. Warranty service must be performed by an authorized servicer. Amana, also recommends contacting an authorized servicer if service is required after warranty expires.

Asure™ Extended Service Plan

Amana offers long-term service protection for this new refrigerator. Asure™ Extended Service Plan is specially designed to supplement Amana's strong warranty. This plan covers parts, labor, and travel charges. Call 1-800-528-2682 for information.

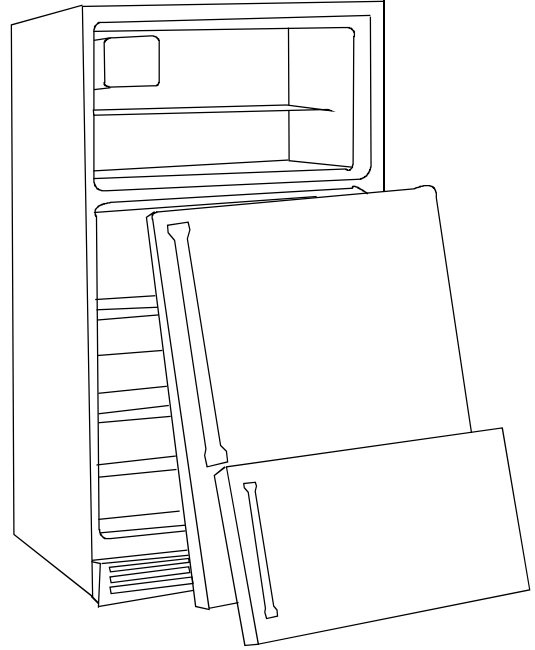


Proper Disposal of Your Refrigerator

IMPORTANT: Child entrapment and suffocation are not problems of the past. Junked or abandoned refrigerators are still dangerous—even if they will sit for "just a few days". If you discard an old refrigerator, please follow the instructions below to help prevent accidents.

BEFORE YOU THROW AWAY YOUR OLD REFRIGERATOR OR FREEZER:

- Take off the doors.
- Leave the shelves in place so that children may not easily climb inside.



Parts and Accessories

Purchase replacement parts and additional accessories (e.g. refrigerator shelves) over the phone. To order accessories for your Amana product, call 1-800-843-0304 inside U.S.A. or 319-622-5511 outside U.S.A.

Model Identification

Thank you for purchasing this Amana® refrigerator. Please read this Owner's Manual thoroughly. This manual provides proper maintenance information. Any questions, call the Consumer Affairs Department at 1-800-843-0304 inside U.S.A. and 1-319-622-5511 outside the U.S.A.

Complete registration card and promptly return. If registration card is missing, call the Consumer Affairs Department.

When contact Amana, provide product information. Product information is on the serial plate, located on (upper left corner, ceiling) of Fresh Food section. Record the following information.

Model Number: _____

Manufacturing Number: _____

S/N or Serial Number: _____

Date of Purchase: _____

Dealer's name and address: _____

Installation Instructions

Proper installation will ensure this refrigerator operates most efficiently.

Space Requirements



WARNING

Keep flammable materials and vapors, such as gasoline, away from refrigerator. Failure to do so can result in death, explosion, fire, or burns.

- To ensure proper ventilation for your refrigerator, allow for a 1" (2.5 cm) space at the top of your refrigerator.
- If your refrigerator has an ice maker, make sure you leave some extra space at the back to allow for the water line connection. The refrigerator can be flush with the back wall if you do not have an ice maker installed.
- If you are installing your refrigerator next to a fixed wall, leave 2 1/2" minimum on each side (depending on your model) to allow for the door to swing open 90°.

NOTE: Do not install the refrigerator near an oven, radiator, or other heat source, nor in a location where the temperature will fall below 55°F (13°C).

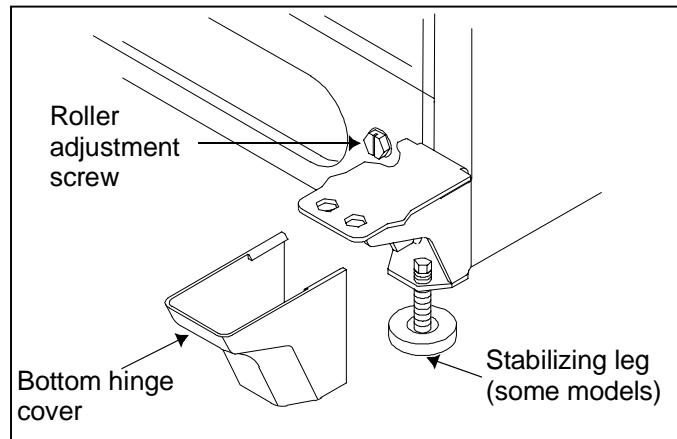
Leveling Refrigerator

Some installations may require door reversal to achieve full door swing. If so proceed to "Door Reversal" section before leveling your refrigerator.

If your refrigerator requires ice maker water supply connection, proceed to "Connect ice maker water supply" section on page 7 before to leveling your refrigerator.

1. Plug in power cord.
2. Move refrigerator into final location.
3. Level refrigerator using a level placed on top of the refrigerator.
 - Remove toe grille. Remove bottom hinge cover if refrigerator has a stabilizing leg.
 - Turn 3/8" hex head roller adjustment screws to raise or lower refrigerator cabinet. Front of refrigerator must be 1/4" (6 mm), or 1/2 bubble on your level, higher than the back of your refrigerator.
 - Make sure refrigerator cabinet is level from side to side by adjusting left and right roller adjustment screw.

- Turn stabilizing leg (some models) clockwise until firmly against floor.



Door Reversal

Tools Required

Putty knife (blade covered by masking tape)
5/16" hex nut driver
3/8" hex nut driver
Phillips screwdriver
Blade screwdriver

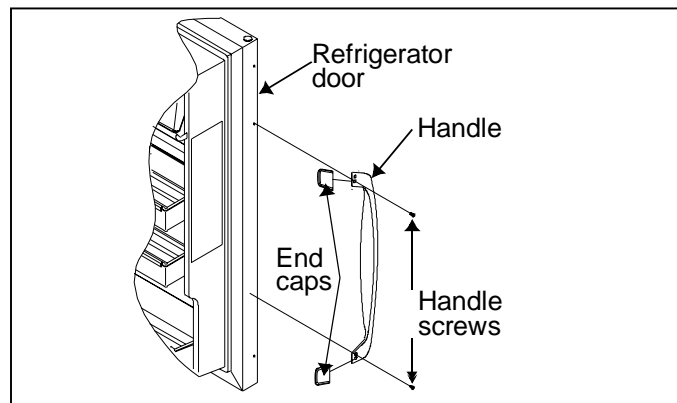
Some installations may require door reversal to achieve full door swing. To reverse door swing direction perform the following steps:

1. Remove and reverse refrigerator and freezer handles.

IMPORTANT: To prevent scratching of refrigerator surfaces, blade of screwdriver and putty knife called for in steps below **must be covered with masking tape**.

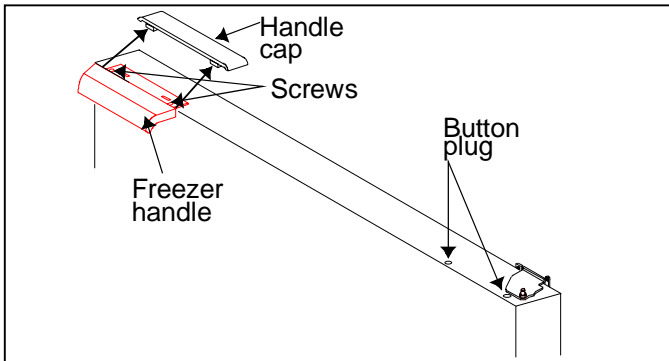
Refrigerator

- Pry up end caps using a putty knife with the blade covered with masking tape. Remove end caps from refrigerator door. Remove handle from door by removing 2 mounting screws at each end of handle.
- Nameplate logo will automatically reverse.



Freezer

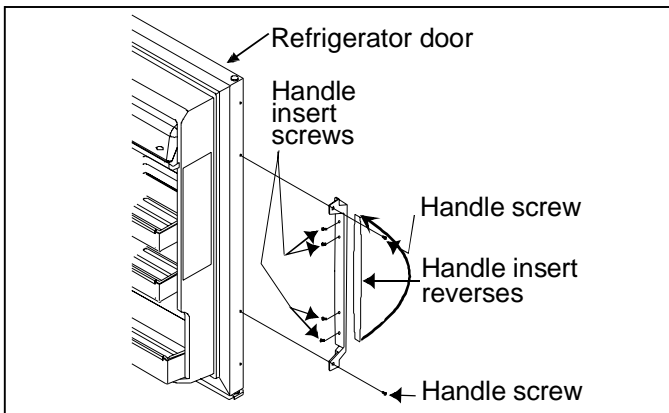
- Pry up back edge of handle cap using a putty knife with the blade covered in masking tape. Remove handle cap from handle. Remove handle from door by removing mounting screw at each side of handle.
- Pry 2 button plugs from hinge side of door using a putty knife with the blade covered in masking tape. Save button plugs as they will be reused later.



If you have handles with a full handle insert please remove handle using the following instructions.

Refrigerator

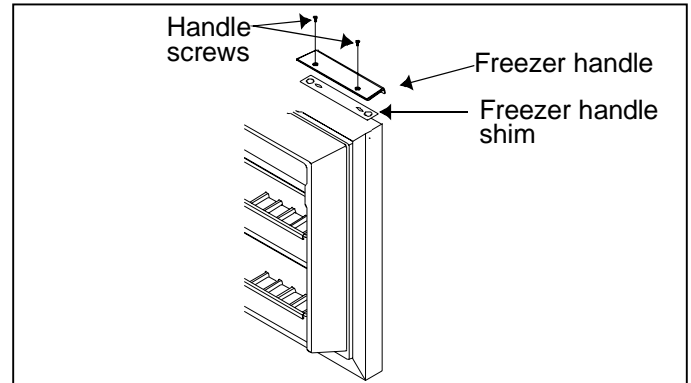
- Remove 2 handle screws from top and bottom of refrigerator handle.
- Remove handle insert by removing 4 phillips screws in back of handle.
- If reversing doors, flip handle insert so logo is right side up.



- Replace handle insert with 4 phillips screws previously removed.

Freezer

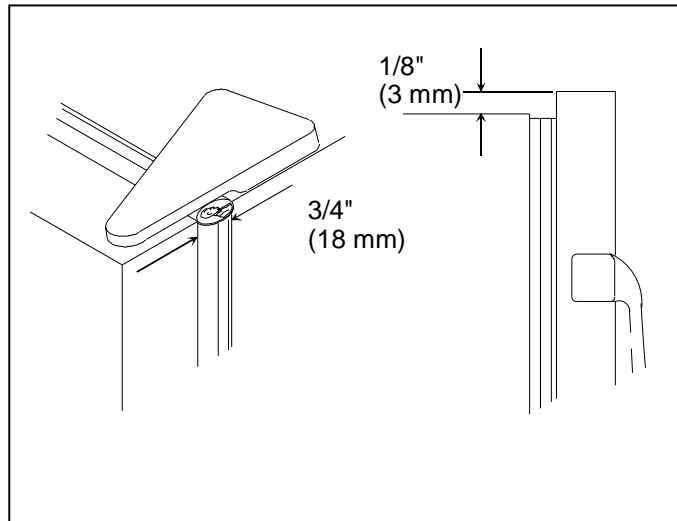
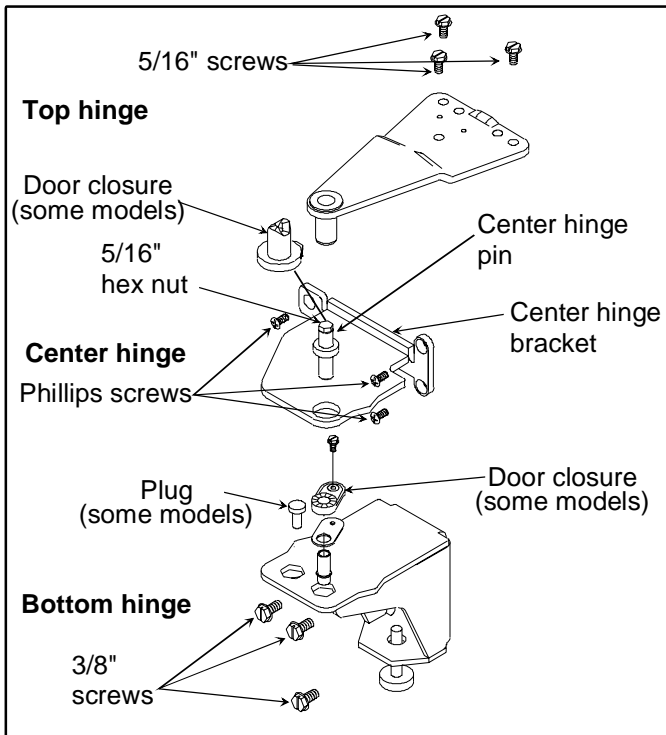
- Remove freezer handle screws with a phillips screwdriver. Remove freezer handle shim.
- Pry 2 button plugs from hinge side of door using a putty knife, blade end covered with masking tape.



! WARNING

Disconnect power to refrigerator before removing doors to avoid electrical shock which can cause severe personal injury or death. After replacing doors, connect power.

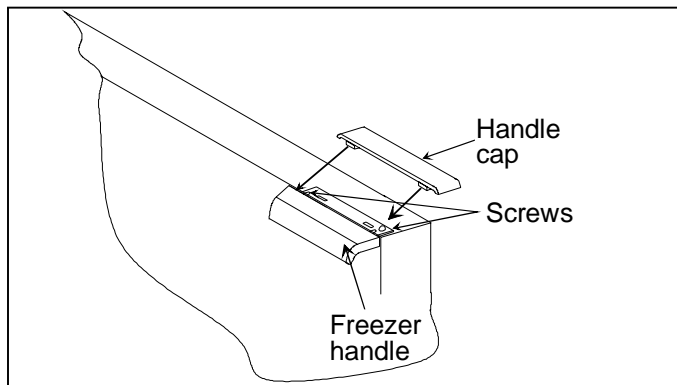
2. Remove top hinge cover. Top hinge cover snaps off. Remove top hinge and hinge shim using hex nut driver.
3. Remove refrigerator door by lifting off of center hinge pin.
4. Remove center hinge pin using hex nut driver.
5. Remove freezer door by lifting door off bottom hinge. An internal support rod may slide out of hinge socket. Replace rod on new hinge side before hanging door.
6. Remove center hinge bracket and hinge shim using phillips screwdriver.
7. Remove toe grille and bottom hinge cover. Both snap off.
8. Remove bottom hinge and hinge shim using hex nut driver.



11. Replace freezer door handles.

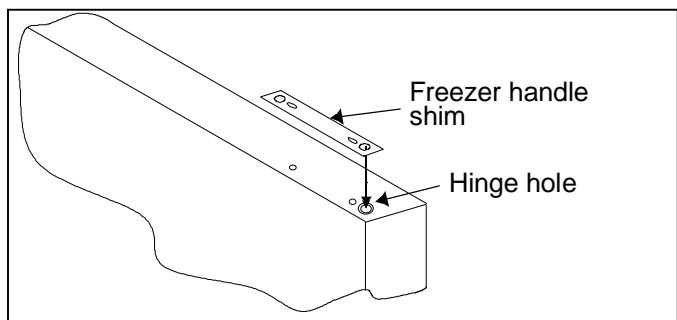
Models with freezer handle cap.

- Mount handle to opposite side of door using mounting screws removed in previous step.
- Angle front edge of handle cap downward toward back lip of freezer handle. Verify bottom tab on freezer cap slides under rear lip of freezer handle. Snap rear edge of handle cap in place. Place 2 button plugs in empty mounting holes.



Models without freezer handle cap.

- Place hinge shim on non-hinge side of door. Large hole in hinge shim must line up with hole created from hinge reversal.



- Replace freezer handle on non-hinge side of door with screws previously removed.

CAUTION

Protect soft vinyl or other flooring with cardboard, rugs or other protective material to avoid property damage.

9. Reverse doors as necessary by performing the following steps:
- Remove button plugs from opposite side of refrigerator cabinet using putty knife covered with masking tape. Insert button plugs in holes left from hinge removal.
 - Remove freezer door internal support rod located underneath freezer handle. Reinstall internal support rod in hinge hole on opposite side of door.
10. Rehang doors by replacing bottom, center, and top hinges, along with freezer and refrigerator doors on opposite side of refrigerator performing steps 2-8 in reverse order.
- Use a penny at top to space door $\frac{3}{4}$ " (18 mm) from cabinet.
 - Handle side of door should be approximately $\frac{1}{8}$ " (3 mm) higher than hinge side.

12. Replace refrigerator door handles.

Models with removable handle logo insert.

- Pry two button plugs from hinge side of door with a putty knife, the blade covered with masking tape. Mount handle to opposite side of door using mounting screws removed in previous steps.

Models with automatic reversing logo.

- Pry 4 button plugs from hinge side of door with putty knife, blade covered with masking tape. Mount handle on opposite side of door using mounting screws removed in previous step.
- Snap end caps into place. Replace 4 button plugs in empty mounting holes.

Connect ice maker water supply line (some models).

WARNING

To avoid electrical shock which can cause severe personal injury or death. Disconnect power to refrigerator before connecting water supply. After replacing doors, connect power.

CAUTION

Observe the following to avoid property damage:

- Make sure water pressure to water valve is between 20 and 100 pounds per square inch.
- Tighten adapter fitting and nuts with pliers and wrenches. Do not overtighten.
- Check for water leaks and correct if necessary before returning refrigerator to normal location. After 24 hours check again for leaks.

Important

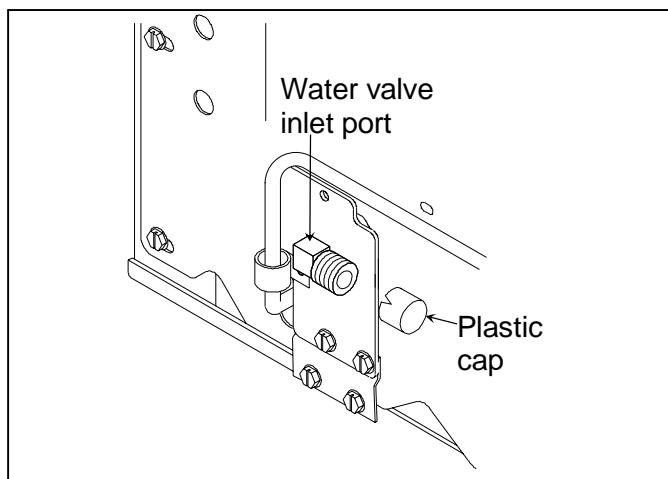
- Before connecting water supply, contact a plumber to connect copper tubing to household plumbing in compliance with local codes and ordinances.
- Amana does not recommend using a self-piercing, or $\frac{3}{16}$ " saddle valves! Both reduce water flow, become clogged with time and in addition may cause leaks if repair is attempted. The correct type of shut-off valve requires a $\frac{1}{4}$ " hole to be drilled in the water supply pipe prior to valve attachment. Amana is not responsible for property damage caused by improper water connection.

Materials Required

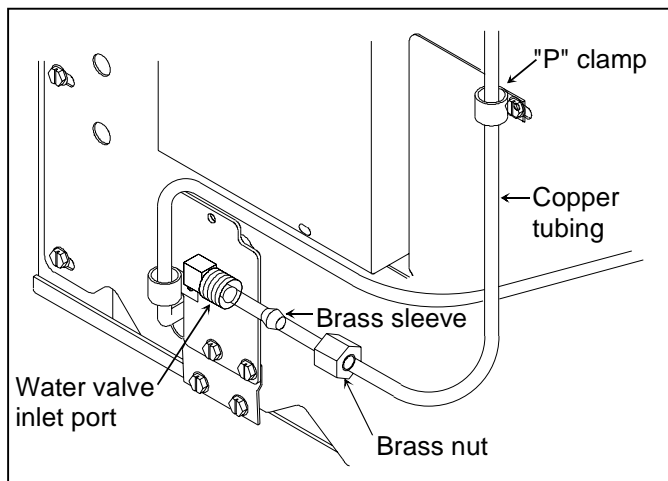
$\frac{1}{4}$ " O.D. (6 mm) flexible copper tubing is required. Length of copper tubing must reach from water supply connection to water valve inlet port on back of refrigerator, plus additional 8 ft. (2 m) of tubing for a service loop. A service loop will allow refrigerator to be pulled away from the wall without disconnecting tubing.

Procedure

1. Remove plastic cap from water valve inlet port.



2. Place brass nut and brass sleeve on copper tubing. (Brass nut and sleeve are found in your literature packet.) Insert copper tubing into water valve inlet port. Connect brass nut on copper tubing to water valve inlet port. Make sure copper tubing is secure by pulling on copper tubing.



3. Turn on water supply to refrigerator and check for leaks. Correct any leaks at connection. Be careful not to overtighten connection.
4. Create a service loop using extreme care to avoid kinks. Secure copper tubing to refrigerator cabinet with a "P" clamp.



Installation Checklist

This checklist is for personal records only

Consumer

Installer

Doors

Handles are solidly attached to doors.

Handle side of doors are $\frac{1}{8}$ " (3 mm) higher than hinge side. (Door lowers when loaded with food.)

Doors seal completely to refrigerator cabinet.

Leveling

Refrigerator is tilted $\frac{1}{4}$ " (6 mm) from front to rear.

Toe grille is properly attached to refrigerator.

Ice Maker

Water supply to refrigerator is turned on.

Water leaks are not present at connection between household water supply and refrigerator. (After 24 hours, consumer should check connection for water leaks.)

Ice maker arm is in on position for ice production. (It may take up to 24 hours for first harvest of ice.)

Product Literature

Owner's manual is reviewed including the following information.

- product registration card
- Fresh Food and Deepfreeze™ controls
- Chiller Fresh™ system
- Garden Fresh™ crispers
- normal operating sounds

Notes

Consumer's signature

Installer's signature

Installer's Company Name/Phone number

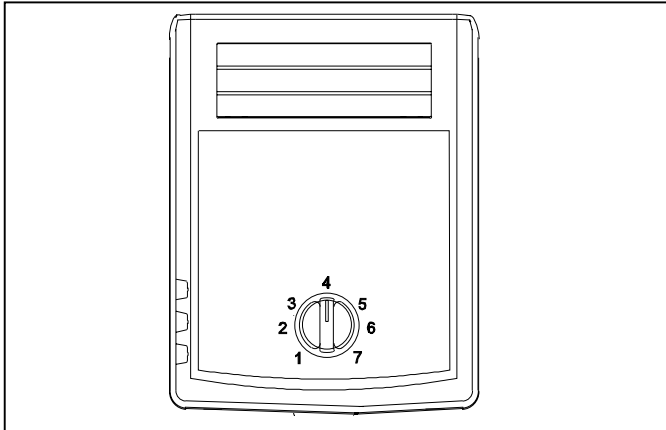
Date

Controls

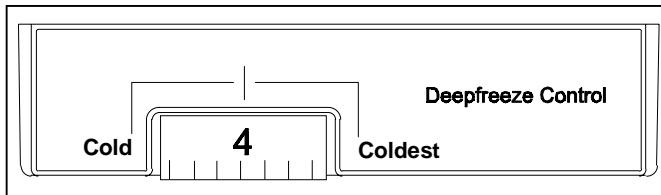
This refrigerator is designed to operate at normal household temperatures of 55° to 110°F (13° to 43°C).

Fresh Food and Deepfreeze™ Controls

Fresh Food control is located on upper rear wall of Fresh Food section.



Deepfreeze™ control is located on left front ceiling of freezer section.



Setting Controls

When Deepfreeze™ control is set to *OFF*, neither refrigerator nor freezer sections will cool. Initially, set both controls to 4. Wait 24 hours for refrigerator and freezer sections to stabilize temperatures. After 24 hours, adjust controls, one number at a time, as desired. 1 is warmest setting and 7 is coldest.

Set controls precisely using a household thermometer with a temperature range between -5° to 50°F (-21° to 10°C).

Put thermometer snugly between frozen packages in freezer section. Wait 5–8 hours. If Deepfreeze™ temperature is not 0° to 2°F (-17° to -16°C), adjust Deepfreeze™ control 1 number at a time. Check again after 5–8 hours.

Put thermometer in a glass of water in middle of Fresh Food section. Wait 5–8 hours. If Fresh Food temperature is not 38° to 40°F (3° to 4°C), adjust **Fresh Food** control 1 number at a time. Check again after 5–8 hours.

Fresh Food Features

Fresh Food Shelves

Shelves adjust to meet individual storage needs. Some models feature spill-saving shelves and slide out shelves. Spill-saving shelves (some models) hold simple spills for easier cleaning.

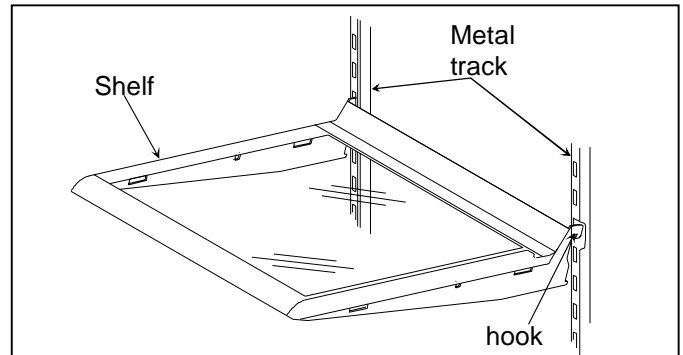
CAUTION

Make sure shelf is secure before replacing items on shelf to avoid property damage.

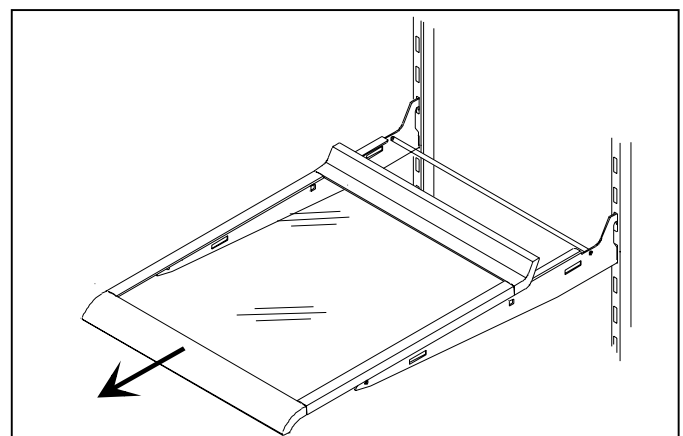
CAUTION

Handle tempered glass shelves carefully to avoid personal injury or property damage. Shelves may break suddenly if nicked, scratched, or exposed to sudden temperature change.

- Remove shelves by lifting up shelf front, releasing hooks from metal track, then pulling out.
- Replace shelves by inserting hooks into metal track and lowering front of shelf.



Slide out shelves (some models) pull forward for easy access to items in back.



Garden Fresh™ Crispers

Garden Fresh™ crispers keep produce fresh longer. Wrap produce tightly. Do not wash produce before placing in crispers. Excess moisture could cause produce to spoil prematurely. Do not line crispers with paper towels. Paper towels retain moisture.

Garden Fresh™ crispers control is located below front shelf trim. Control adjusts humidity in crisper drawers. Slide control to *high* for produce with leaves such as lettuce, spinach or cabbage. Slide control to *low* for produce with skins such as cauliflower, corn or tomatoes.

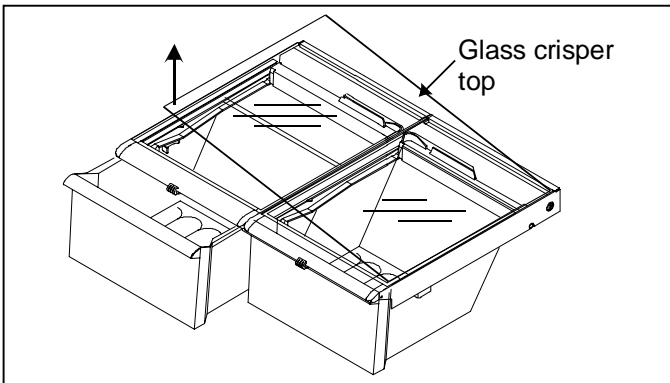
Remove shelf and crisper drawers by completing the following steps:

1. Open left crisper.
 - For doors hinged on left, open right crisper.

CAUTION

Handle tempered glass shelves carefully to avoid personal injury or property damage. Shelves may break suddenly if nicked, scratched, or exposed to sudden temperature change.

2. Remove glass crisper top by gently pushing up from underneath. Tilt one end up and pull out.



3. Remove left crisper by lifting from front while supporting underneath and pulling out. For doors hinged on left, remove right crisper.
4. Remove support post at recess in bottom center of Fresh Food section.
5. Remove other crisper by sliding to opposite wall. Lift from front while supporting underneath and pull out.
6. Replace crispers and shelf by performing steps 2-5 in reverse order.

Adjustable Deli Drawer™ (some models)

- Remove drawer and sleeve by lifting and pulling out. Refer to “Spillsaver™ Shelves” for instructions on removing and replacing shelf.
- Replace drawer in sliding in.

Chiller Fresh™ System (some models)

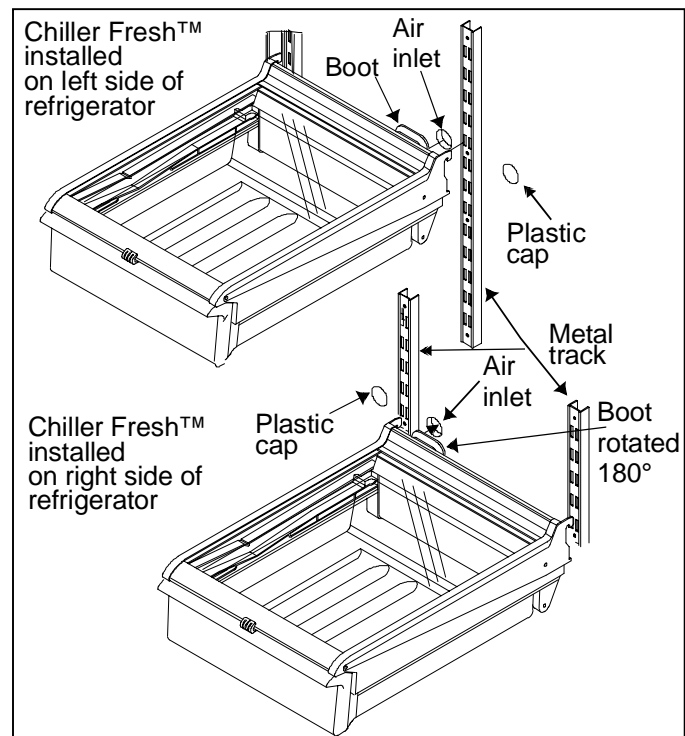
The Chiller Fresh System™ features a drawer inside a sleeve. Freezer air circulates between drawer and sleeve. This system keeps food fresh longer and up to 5°F (3°C) colder than refrigerator temperature.

Chiller Fresh™ control is located below front shelf trim. Control adjusts amount of air circulating around drawer. Slide control to *COLD* for normal refrigerator temperature and to *COLDER* for colder temperature. Ice crystals may form on drawer or food on *COLDER* setting. Cold air entering the Chiller Fresh™ drawer can decrease refrigerator temperature. Refrigerator control may need to be adjusted to a lower number to compensate for colder air.

- Remove drawer by lifting and pulling out. Remove shelf by lifting from front, releasing hooks from metal track, then pulling out.
- Replace shelf by inserting hooks into metal track and lowering the front. Use slots 4 through 6 only.
- Replace drawer by sliding in. Make sure boot fits snugly over air inlet in back wall.

When moving Chiller Fresh™ drawer left or right, complete the following steps after temperature controlled meat drawer has been removed:

1. Remove plastic cap from back wall of refrigerator section by placing a knife covered with masking tape underneath cap and pulling forward.

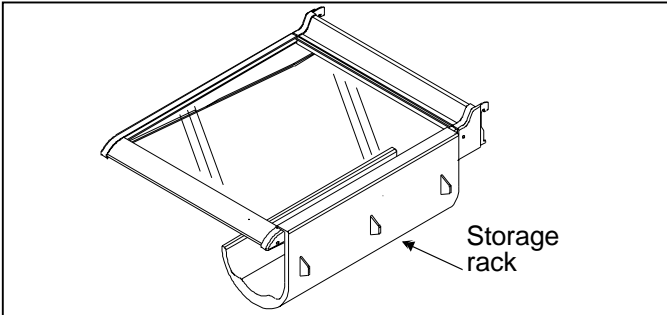


2. Rotate boot 180° to opposite side.
3. Insert plastic cap in opposite side of Fresh Food section. Confirm cap is snugly in place. Cold air may cause food to freeze if cap is not replaced.

Storage Rack (some models)

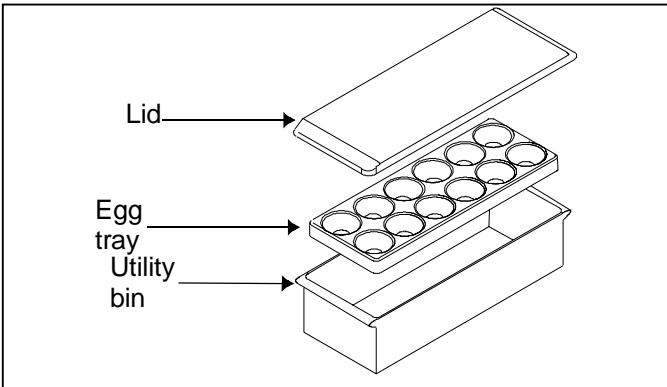
Storage rack provides convenient storage for a large bottle, eggs, etc.

- Hang rack by hooking over side of shelf.



Covered Storage Bucket (some models)

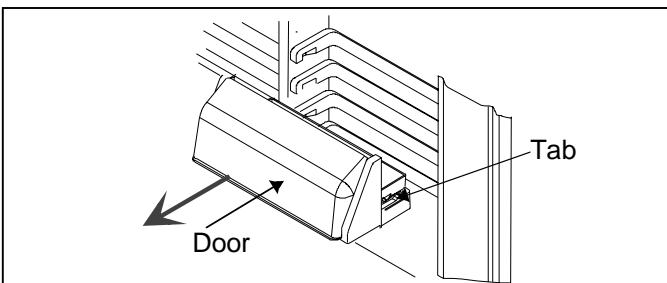
The covered storage bucket has a lid and removable egg tray. When tray is removed, bucket will accept standard egg carton, ice, etc.



Dairy Center (some models)

Dairy center provides convenient storage for butter, cheese, etc.

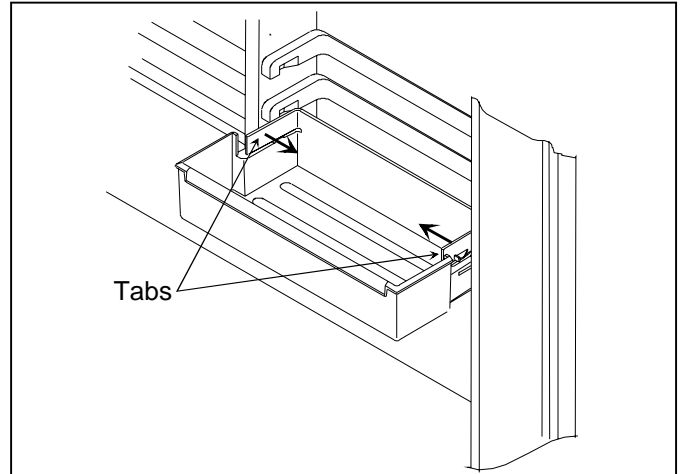
- Remove dairy center by lifting door, pushing tabs of shelf down on both sides, and pulling out.
- Replace dairy center by sliding in until tabs lock into place, then lower door.



Door Buckets

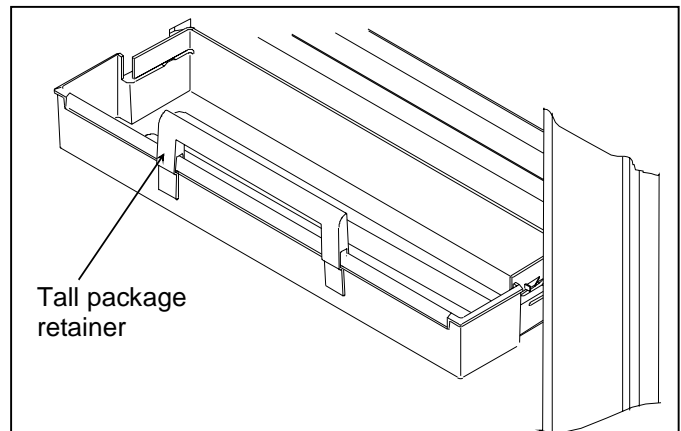
Door buckets adjust to meet individual storage needs.

- Remove door buckets by pushing tabs on both sides of shelves toward center and pulling bucket forward.
- Replace door buckets by sliding in until tabs lock into place.



Tall Package Retainer (some models)

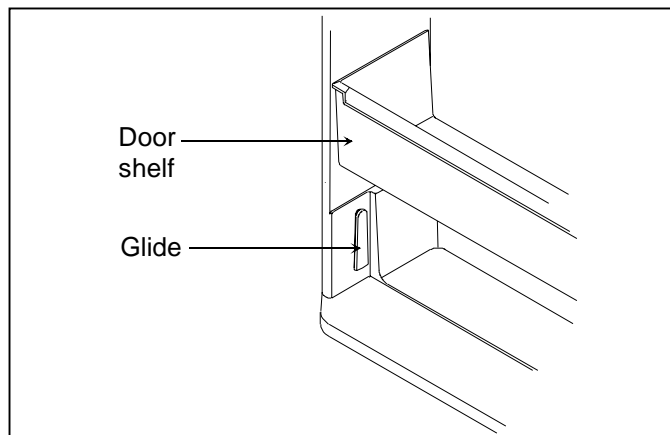
Tall package retainer keeps tall items secure. Retainer fits in any refrigerator door bucket or door shelf.



Deepfreeze™ Features

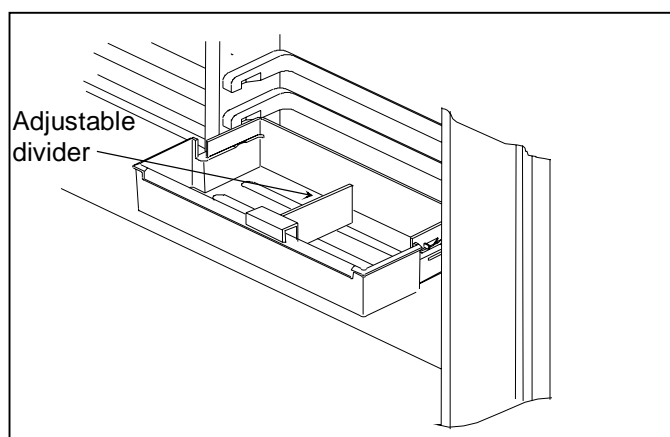
Door Shelves

- Remove door shelves by lifting ends and pulling out.
- Replace door shelves by placing shelf on glides and sliding down.



Adjustable Divider (some models)

Adjustable divider keeps items in place and adjusts to meet individual storage needs. Divider fits in any door bucket or door shelf.

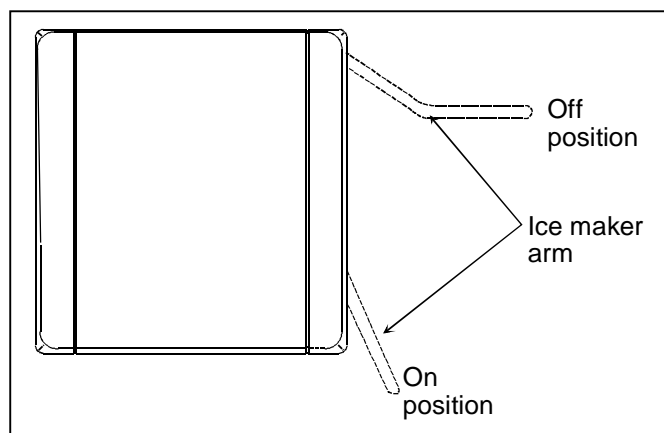


Frost-Free System

The Fresh Food and Deepfreeze™ sections are completely frost-free. Defrosting is automatic under normal conditions. Fresh Food and Deepfreeze™ sections never have to be defrosted.

Automatic Ice Maker (some models)

- Make sure ice bucket is in place and ice maker arm is down.



- After freezer section reaches normal temperature, the ice maker fills with water and begins operating. Allow 24–48 hours after installation before first harvest of ice. Ice maker produces 7 to 9 harvests of ice in a 24-hour period under ideal conditions.
- After ice is formed, ice maker drops ice cubes into ice storage bucket. During ice production, ice maker arm raises and lowers. When ice storage bucket is full, ice maker arm turns ice maker off.

Note: Discard first 3 harvests of ice so any impurities left in the water line after installation are not consumed.

- If you wish to stop automatic ice production lift ice maker arm. A definite click is heard when proper position is reached. Ice maker arm will remain in that position until pushed down.

Ice Service Rack (some models)

Install ice service rack by completing the following steps using a phillips screwdriver:

1. Loosen screw and washer on freezer side wall.
2. Place ice service rack on washers and slide down.
3. Tighten screws and washers.

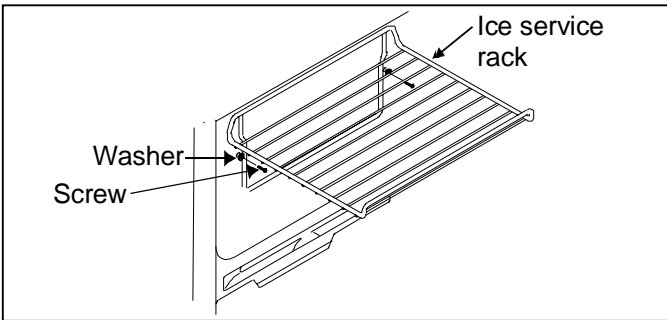
Move ice service rack by completing the following steps using a phillips screwdriver:

1. Remove ice service rack by lifting rack off washers, then pulling out.
2. Remove screws and washers that support ice service rack. Remove plugs from freezer wall opposite ice service rack. Replace plugs with screws and washers. Insert plugs in holes remaining from removal of screws and washers.

- Replace ice service rack by placing rack on washers and sliding down until secure.

⚠ CAUTION

Make sure shelf is secure before placing items on shelf to avoid property damage.

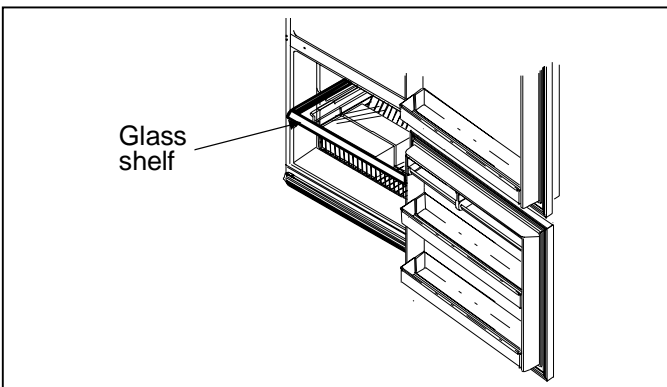


Glass Shelf (some models)

⚠ CAUTION

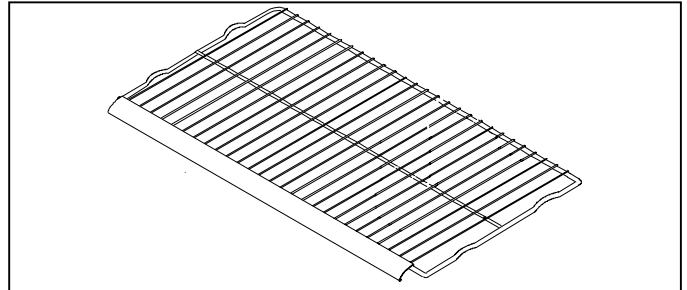
Handle tempered glass shelves carefully to avoid personal injury or property damage. Shelves may break suddenly if nicked, scratched, or exposed to sudden temperature change.

- Remove glass shelf by pulling out. A sharp tug may be necessary.
- Replace glass shelf by sliding in until back locks in place.



Wire Shelf (some models)

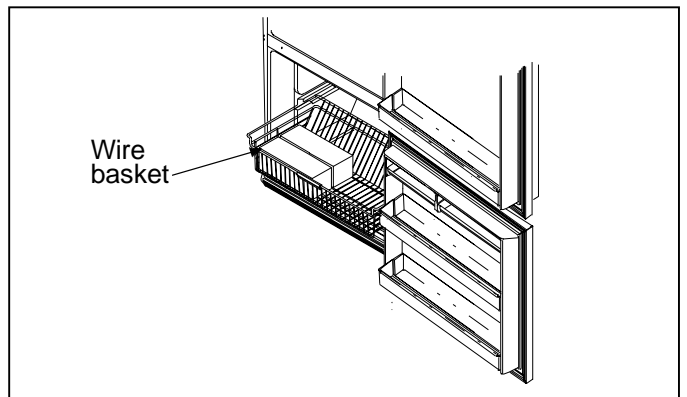
- Remove wire shelf by pulling out. A sharp tug may be necessary.
- Replace wire shelf by sliding in until back locks in place.



Wire Basket

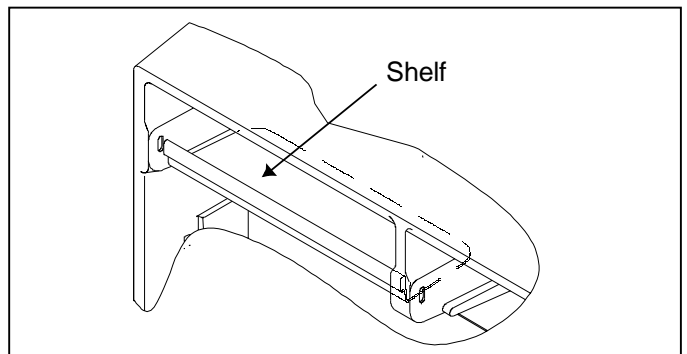
Wire basket slides out for easy access of items in back.

- Remove wire basket by lifting and pulling out.
- Replace wire basket by sliding in.



Door Shelves

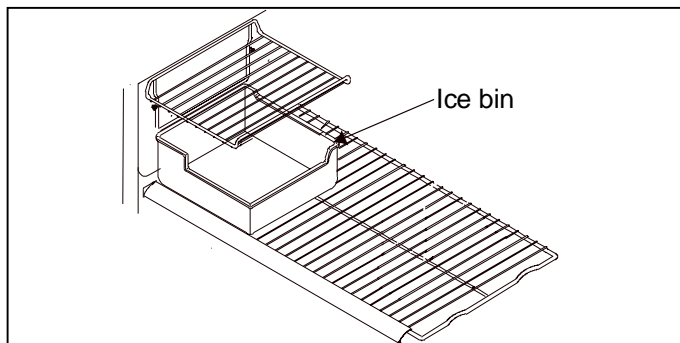
- Remove door shelf by sliding trim right or left then up. Lift shelf and pull out.
- Replace door shelf by placing shelf on rails. Slide trim right or left then down.



Care and Cleaning

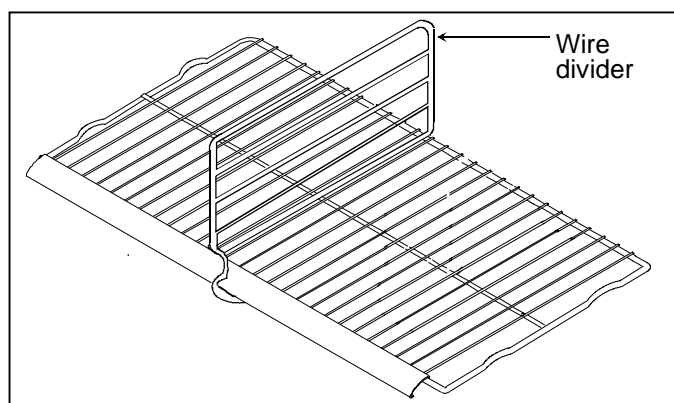
Ice Bin (some models)

Ice bin sits below the ice service rack on the wire freezer shelf.



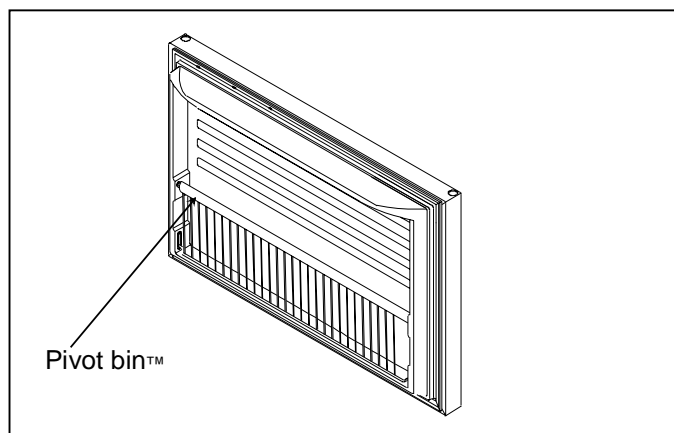
Wire Divider (some models)

Wire divider organizes storage space. Divider can be moved left or right.



Pivot Bin™ (some models)

Pivot Bin™ provides convenient storage for frozen food items in Deepfreeze® door and tilts forward for easy access of those items.



WARNING

Disconnect power to refrigerator before cleaning to avoid electrical shock which can cause severe personal injury or death. After cleaning, restore power.

CAUTION

Read and follow all manufacturer's cleaning directions to avoid personal injury or property damage.

General Cleaning

1. Wash surfaces and exterior with 4 tablespoons baking soda dissolved in 1 quart warm water and a soft, clean cloth.
2. Rinse surfaces and exterior with warm water. Dry surfaces with a soft, clean cloth.
3. **DO NOT USE** the following items:
 - abrasive or harsh cleaners, ammonia, chlorine bleach, etc.
 - concentrated detergents or solvents
 - metal scouring padsThese items can scratch, crack, and discolor surfaces.
4. Do not place buckets, shelves, etc., in dishwasher.

Adhesives

1. Remove adhesive residue from refrigerator surfaces by rubbing toothpaste into adhesive with fingers until adhesive loosens.
2. Rinse surface with warm water. Dry surface with a soft, clean cloth.

Door Gaskets

1. Clean door gaskets every 3 months according to General Cleaning instructions. Clean any spills immediately.
2. Apply a light film of petroleum jelly to keep gaskets pliable.

Condenser Coils

Clean condenser coil behind toe grille every 3 months to ensure maximum performance of refrigerator.

Accumulated dust and lint may cause the following:

- reduced cooling performance
- increased energy usage
- premature part failure

1. Remove toe grille by holding ends and pulling away from refrigerator.
2. Clean front surface of condenser coil with a vacuum cleaner hose nozzle.
3. Replace toe grille by inserting clips in holes and snapping in.

4. Raise stabilizing legs (some models) by turning counterclockwise.

CAUTION

Protect soft vinyl or other flooring with cardboard, rugs or other protective material to avoid property damage.

5. Pull refrigerator away from wall. Run a vacuum brush across grille on back of refrigerator.

Glass Shelves

CAUTION

Handle tempered glass shelves carefully to avoid personal injury or property damage. Shelves may break suddenly if nicked, scratched, or exposed to sudden temperature change.

Remove shelf by lifting front, releasing hooks from metal track then pulling out. Place shelf on a towel. Allow shelf to adjust to room temperature before cleaning.

Clean crevices by completing the following:

1. Dilute mild detergent and brush solution into crevices using a plastic bristle brush. Let sit for 5 minutes.
2. Spray warm water into crevices using faucet spray attachment.
3. Dry shelf thoroughly and replace shelf by inserting hooks into metal track and lowering it from the front.

Odor Removal

1. Remove all food and disconnect power to refrigerator.
2. Clean all interior surfaces including ceiling, floor, and walls according to General Cleaning instructions above. Pay special attention to corners, crevices, and grooves. Include all drawers, shelves, and gaskets.
3. Connect power to refrigerator and return food to refrigerator. Wash and dry all containers. Wrap foods in tightly sealed containers to prevent further odor. After 24 hours, check if odor has been eliminated.

Complete steps 4-9 if odor has not been eliminated.

4. Place crispers on top shelf of refrigerator section. Pack refrigerator and freezer sections, including doors, with crumpled sheets of newspaper.
5. Place charcoal briquettes randomly throughout newspaper.
6. Close doors and let stand 24-48 hours.
7. Remove charcoal briquettes and newspapers.
8. Complete steps 2-3.

If odor is still not eliminated, contact consumer affairs

department. Refer to Model Identification section for phone number.

Light Bulbs Replacement

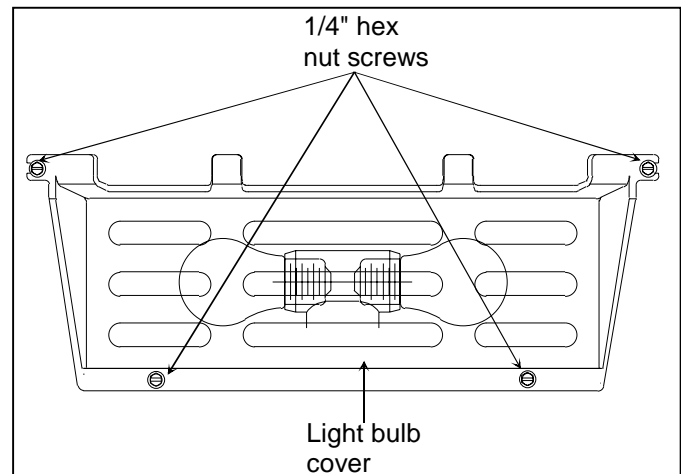
WARNING

Disconnect power to refrigerator before replacing light bulb to avoid electrical shock which can cause severe personal injury or death. After replacing light bulb, restore power.

CAUTION

Observe the following to avoid personal injury or property damage.

- Allow light bulbs to cool
 - Wear gloves when replacing light bulb.
- Remove light bulb cover by removing 1/4" hex nut screws. Replace bulb(s) with 40-watt appliance bulb(s).
 - Replace light bulb cover by replacing 1/4" hex nut screws.

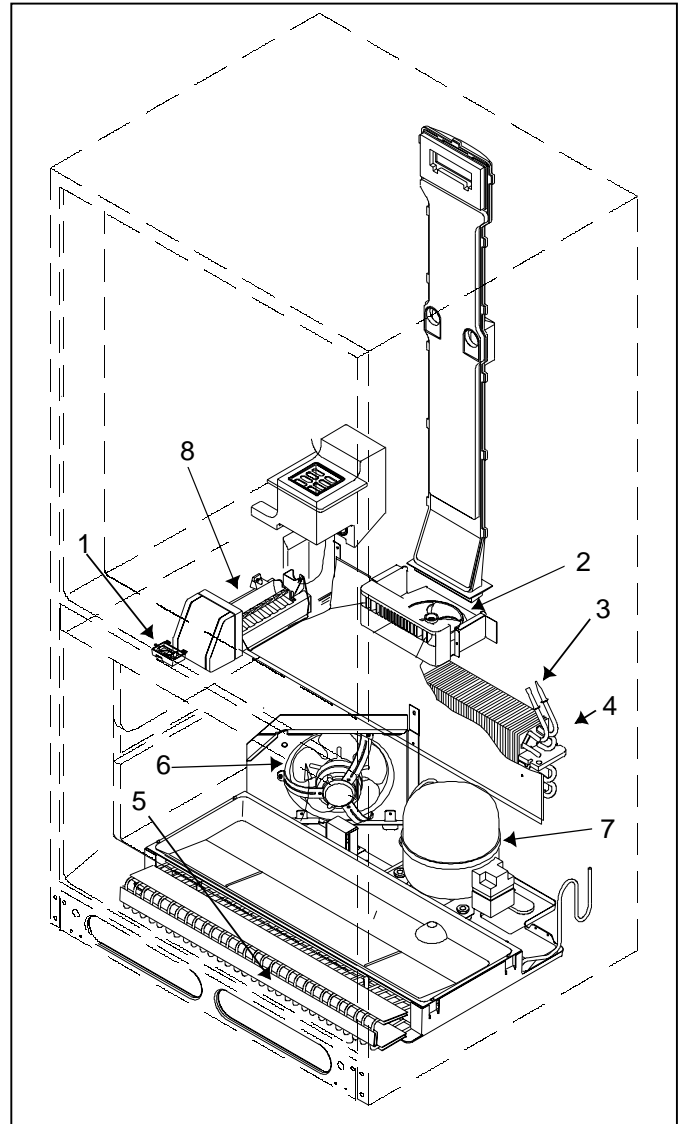


Normal Operating Sounds

This new refrigerator may be replacing a differently designed, less efficient or smaller refrigerator. Today's refrigerators have new features and are more energy efficient. As a result, certain sounds may be unfamiliar. These sounds are normal and will soon become familiar to you. They also indicate refrigerator is operating and performing as designed.

1. **Freezer control** clicks when starting or stopping compressor.
2. **Freezer fan** air rushes and whirs.
3. **Sealed system** (evaporator and heat exchanger) refrigerant flow gurgles, pops or sounds like boiling water.
4. **Defrost heater** sizzles, hisses or pops.
5. **Defrost timer** sounds like an electric clock and snaps in and out of defrost cycle.
6. **Condenser fan** air rushes and whirs.
7. **Compressor** has a high pitched hum or pulsating sound and cycles on and off.
8. **Ice cubes** from ice maker (some models) drop into ice bucket.
9. **Ice maker water valve hookup** (some models) buzzes when ice maker fills with water. This occurs whether or not refrigerator is connected to water supply. If refrigerator is not connected to water supply, stop sound by raising ice maker arm to off position. Ice maker water valve hookup is located behind condenser fan in back of refrigerator. (Not shown)

Note: Foam insulation is very energy efficient and has excellent insulating capabilities. However, foam insulation is not as sound absorbent as previously used fiberglass insulation.



Before Calling For Service

Problem	Solution
Refrigerator does not operate.	<ul style="list-style-type: none"> • Make sure Deepfreeze[®] control is on. • Make sure refrigerator is plugged in. If not, firmly plug the cord into a live outlet with proper voltage. • Check fuse or circuit breaker. Plug in another item at that wall outlet. If outlet does not work, replace the fuse or reset the circuit. • If freezer control is on, light works but 2 fans and compressor are not operating, refrigerator may be in defrost cycle. Wait 40 minutes to see if refrigerator restarts.
Refrigerator still will not operate.	<ul style="list-style-type: none"> • Unplug refrigerator. Transfer food to another refrigerator or place dry ice in freezer section to preserve food. Warranty does not cover food loss. Check warranty certificate for specific coverage. • Call 1-800-628-5782 inside U.S.A. and 1-319-622-5511 outside U.S.A. to locate an authorized Amana technician.
Food temperature appears too warm.	<ul style="list-style-type: none"> • See above sections. • Allow time for recently added warm food to reach Fresh Food or Deepfreeze[®] temperature. Adding food warms the refrigerator. It can take a few hours for the refrigerator to return to normal temperature. • Check gaskets for proper seal. Gaskets should seal tightly to cabinet. • Clean condenser coils. See “Condenser Coils” instructions in “Care and Cleaning” section. • Adjust Fresh Food and or Deepfreeze[®] control. See “Setting Controls” instructions in “Controls” section. • Freezer or refrigerator light stays on. If light stays on, call service. • Air vents are blocked restricting cold air circulation. Locate air vents by using your hand to sense airflow and move all packages that block vents and restrict airflow.
Chiller Fresh system temperature is too warm.	<ul style="list-style-type: none"> • Slide control to colder setting. • Adjust Deepfreeze[®] control to colder setting. See “Setting Controls” instructions of “Controls” section.
Food temperature is too cold.	<ul style="list-style-type: none"> • Clean condenser coils. See “Condenser Coils” instructions in “Care and Cleaning” section. • Adjust Fresh Food control. See “Setting Controls” instructions in “Controls” section. • Adjust Deepfreeze[®] control to warmer setting. See “Setting Controls” instructions in “Controls” section. Allow several hours for temperature to adjust.
Refrigerator runs too frequently.	<ul style="list-style-type: none"> • It may be normal to maintain constant temperature. • Doors have been opened frequently or for an extended period of time. When the door is opened warm humid air is allowed into the refrigerator. The more the door is opened the more warm air the refrigerator must cool. • Allow time for recently added warm food to reach refrigerator or freezer temperature. It can take a few hours for the refrigerator to return to normal temperature. • Clean condenser coils. See “Condenser Coils” instructions in “Care and Cleaning” section. • Adjust Deepfreeze[®] control. See “Setting Controls” instructions in “Controls” section. • Check gaskets for proper seal. Gaskets should seal tightly to cabinet. • Freezer light stays on. If light stays on, call service



Before Calling For Service

Problem	Solution
Water droplets form on inside of refrigerator.	<ul style="list-style-type: none"> • It is normal during high humidity periods or if doors have been opened frequently. • Wrap food tightly and wipe off damp containers prior to storing in the refrigerator to avoid moisture accumulation.
Water droplets form on outside of refrigerator.	<ul style="list-style-type: none"> • Check door seals for proper seal. Gaskets should seal tightly to cabinet. • It is normal during high humidity periods or if doors have been opened frequently.
Garden Fresh™ crispers or Chiller Fresh™ system does not close freely (some models).	<ul style="list-style-type: none"> • Check for a package which may prevent drawer from closing properly. • Confirm drawer is in proper position. • Clean drawer channels with warm, soapy water. Rinse and dry thoroughly. • Apply a thin layer of petroleum jelly to drawer channels. • Confirm refrigerator is level.
Refrigerator has an odor.	<ul style="list-style-type: none"> • See “Odor Removal” instructions in “Care and Cleaning” section.
Refrigerator makes unfamiliar sounds or seems too loud.	<ul style="list-style-type: none"> • It may be normal. See “Normal Operating Sounds” section
Ice cubes have an odor.	<ul style="list-style-type: none"> • See “Odor Removal” instructions in “Care and Cleaning” section. • Ice maker was recently installed. Discard first few batches of ice to avoid discolored or off-flavored ice. • Food has not been wrapped tightly in either refrigerator or freezer compartment. Rewrap foods since odors may migrate to the ice if food is not wrapped properly. • Discard ice and clean ice bucket or trays more frequently. Ice cubes are porous and absorb odors easily. • Water supply contains minerals such as sulfur. In some situations a filter may need to be installed to eliminate taste and odor problems
Ice cubes stick together or “shrink”.	<ul style="list-style-type: none"> • Empty ice cube bucket or trays more frequently. If used infrequently, ice cubes may stick together or shrink.
Ice maker is not producing ice.	<ul style="list-style-type: none"> • Water pressure may be too low or high. Ice maker requires a water pressure of 20-120 psi to function properly. • Confirm ice maker arm is down. See “Automatic Ice Maker” section. • Confirm household water supply is reaching water valve. Make sure the water valve shut off is fully turned on. • Confirm ice maker wiring harness is inserted completely in proper holes. • Check for kinks in copper or plastic tubing. Remove kinks or replace tubing. • Check electrical connections to water valve coil and connector block on refrigerator cabinet. • If a water filter has been installed on the water line outside the refrigerator, check the filter for clogs or improper installation of the filter.

Before Calling For Service

Problem	Solution
Ice maker is not producing enough ice.	<ul style="list-style-type: none"> • Ice maker has just recently been installed or a large amount of ice has just been used. Wait 24 hours for ice production to begin and for ice maker to restock after emptied. • Confirm household water supply is reaching water valve. Make sure the water valve shut-off is fully turned on. • Piercing type or $\frac{3}{16}$" saddle valve was used for hookup. Both reduce water flow and may become clogged with time. Replace these valves with correct type of saddle valve requiring $\frac{1}{4}$" hole to be drilled in water supply pipe prior to valve attachment. • Check for kinks in copper or plastic tubing. Remove kinks or replace tubing. • Confirm freezer section is operating at proper temperature. Freezer must be cold enough to produce ice. See "Setting Controls" section.
Ice forms in inlet tube to ice maker.	<ul style="list-style-type: none"> • Check water pressure. Low water pressure causes valves to leak.

Vacation Tips

Complete the following steps for short vacations.

1. Remove perishable foods.
2. If an ice maker is installed, move ice maker arm to *off* position. (See "Automatic Ice Maker" section page 14)

Complete the following steps for long vacations.

1. Empty refrigerator and freezer sections.
2. Unplug refrigerator.
3. Clean refrigerator and door gaskets according to General Cleaning instructions in "Care and Cleaning" section.
4. Prop doors open, so air can circulate inside.
5. If an ice maker is installed, turn off water supply to refrigerator and move ice maker arm to *off* position. (See "Automatic Ice Maker" section page 14)

Energy Tips

This refrigerator is designed to be one of the most energy efficient refrigerators available. Reduce energy use by observing the following.

- Operate in normal household temperatures of 55° to 110°F (13° to 43°C) away from heat sources and direct sunlight.
- Set refrigerator, freezer, and temperature controlled meat drawer system controls no colder than necessary.
- Keep freezer section full.
- Keep door gaskets clean and pliable. Replace gaskets if worn.
- Keep condenser coils clean.

Warranty

Full One Year Warranty Full Five Year Warranty on Sealed System Components and Food Compartment Liner

First Year

Amana Appliances will repair or replace, free of charge, any part which is defective due to workmanship or materials.

Second through Fifth Year

Amana Appliances will replace, free of charge, any sealed system component (compressor, condenser, evaporator and interconnecting tubing) and repair any food compartment liner (exclusive of door liner) which is defective due to workmanship or materials.

Warranty Limitations

- Begins at date of original purchase.
- Applies to product used within the United States or in Canada if product has Canadian Standards Association listing when shipped from the factory.
- Service must be performed by an authorized Amana technician.

Warranty Is Void If

- Serial plate is defaced.
- Product is used on a commercial, rental or leased basis.
- Product has defect or damage due to product accident, alteration, connection to an improper electrical supply, fire, flood, lightning, shipping and handling, or other conditions beyond the control of Amana.
- Product is improperly installed or used.

Owner's Responsibilities

- Provide proof of purchase (sales receipt).
- Provide normal care and maintenance. Replace owner replaceable items where directions appear in Owner's Manual.
- Make product reasonably accessible for service.
- Pay premium service costs for service outside technician's normal business hours.
- Pay for service calls related to product installation.

In no event shall Amana Appliances be liable for incidental or consequential damages including food loss*

*This warranty gives you specific legal rights and you may have others which vary from state to state. For example, some states do not allow the exclusion or limitation of incidental or consequential damages so this exclusion may not apply to you.

Contenido

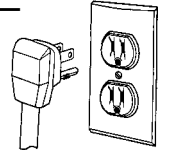
Requerimientos eléctricos	21
Servicio	21
Plan de servicio extendido Asure™	21
Identificación del modelo	22
Forma apropiada de desechar su refrigerador	22
Piezas y accesorios	22
Instrucciones para la instalación	23
Requerimientos de espacio	23
Para nivelar el refrigerador	23
Para invertir la puerta	23
Conexión para la línea de suministro de agua de la máquina de hielos	26
Lista de verificación de la instalación	27
Controles	
Controles de las secciones Alimentos frescos y Deepfreeze™	28
Ajuste de los controles	28
Características de la sección Alimentos frescos ...	28
Repisas de la sección Alimentos frescos	
Cajones para verduras Garden Fresh™	29
Cajón ajustable para embutidos Deli Drawer™	29
Sistema Chiller Fresh™	29
Parrilla para almacenamiento	30
Compartimiento cubierto para almacenamiento	30
Compartimientos para productos lácteos	30
Compartimientos de la puerta	31
Depósito para paquetes altos	31
Repisas de la puerta	31
Separador ajustable	31
Características del Deepfreeze™	32
Sistema sin escarcha	32
Máquina de hielo automática	32
Rejilla para servicio de hielo	32
Repisa de vidrio	32
Repisa de alambre	33
Canasta de alambre	33
Repisas de la puerta	33
Depósito de hielo	33
Separador metálico	33
Pivot Bin™	33
Cuidado y limpieza	34
Limpieza general	34
Adhesivos	34
Empaques de la puerta	34
Serpentines del condensador	34
Repisas de vidrio	34
Eliminación de olores	34
Reemplazo de focos	35
Sugerencias para cuando sale de vacaciones	35
Sugerencias para conservar energía	35
Sonidos normales de funcionamiento	36
Antes de llamar para solicitar servicio	37
Garantía	41

Requerimientos eléctricos

⚠ Reconozca este símbolo como precaución de seguridad.

⚠ ADVERTENCIA

Instrucciones para conexión a tierra — Este refrigerador está equipado con un enchufe de tres puntas (para conexión a tierra) para proveer protección contra posibles riesgos de descargas eléctricas. Si tiene un tomacorriente de dos orificios, comuníquese con un electricista calificado para que reemplace este tomacorriente de pared de dos orificios por otro de tres orificios correctamente conectado a tierra, en conformidad con el Código Eléctrico Nacional.



Este refrigerador ha sido diseñado para que funcione con una línea separada de 103 a 126 voltios, 15 amperios y 60 ciclos.

No corte ni elimine, bajo ninguna circunstancia, la punta redonda de conexión a tierra del enchufe. El refrigerador debe estar conectado a tierra en todo momento. No quite el rótulo de advertencia del cordón eléctrico.

No utilice un adaptador de dos puntas. No utilice un cable de extensión.

Servicio

Guarde una copia de la factura de venta para futura referencia o en caso de que necesite un servicio de garantía. Si tiene alguna pregunta o para localizar a un técnico autorizado de servicio, llame al 1-800-NAT-LSVC (1-800-628-5782) dentro de los EE.UU. o al 319-622-5511 fuera de los EE.UU. Un técnico autorizado de servicio debe efectuar el servicio de garantía. Amana también recomienda ponerse en contacto con un técnico autorizado si necesita servicio después de que caduque la garantía.

Plan de servicio extendido Asure™

Amana ofrece un servicio de protección a largo plazo para esta nueva estufa. El Plan de servicio extendido Asure™ está diseñado especialmente para complementar la excelente garantía de Amana. Este plan cubre piezas, mano de obra y gastos de transportación. Llame al 1-800-528-2682 para solicitar más información.

Nota

La traducción algunas veces puede causar variaciones en el significado. En todos los casos cuando el significado varíe, el más preciso será el de la versión en inglés de este documento.

Identificación del modelo

Gracias por haber comprado este refrigerador Amana®. Por favor lea todo el manual del propietario. Este manual proporciona información sobre el mantenimiento adecuado. Si tiene alguna pregunta, sírvase llamar al Departamento de asuntos del consumidor al 1-800-843-0304 dentro de los EE.UU. y al 1-319-622-5511 fuera de los EE.UU.

Llene la tarjeta de registro y envíela lo más pronto posible. Si el refrigerador no incluye una tarjeta de registro, llame al Departamento de asuntos al consumidor.

Cuando se comunique con Amana, proporcione la información del producto. Esta información se encuentra en la placa del número de serie, ubicada en la esquina izquierda superior del techo de la sección Alimentos frescos. Anote la siguiente información:

Número de modelo: _____

Número de fabricación: _____

Número de serie (S/N): _____

Fecha de adquisición: _____

Nombre y dirección del distribuidor: _____

Piezas y accesorios

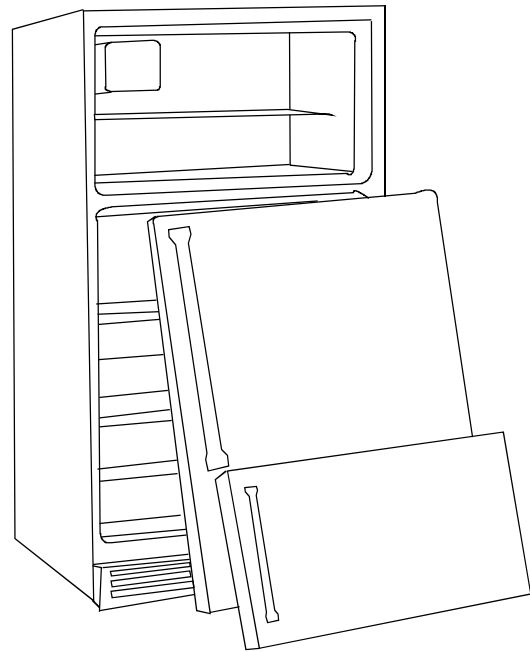
La compra de piezas de repuesto y accesorios adicionales (como: repisas de refrigerador,) se puede hacer por teléfono. Si desea pedir accesorios para su producto Amana llame al teléfono 1-800-843-0304 dentro de los EE.UU., o al 1-319-622-5511 fuera de los EE.UU.

Forma apropiada de desechar su refrigerador

IMPORTANTE: Los niños atrapados y asfixiados en refrigeradores no es cosa del pasado. Los refrigeradores que se arrumban o abandonan, aun cuando sea por “solo unos cuantos días”, continúan siendo un peligro. Si desecha un refrigerador viejo, sírvase seguir las siguientes instrucciones para ayudar a prevenir un accidente.

ANTES DE TIRAR SU REFRIGERADOR O CONGELADOR VIEJO:

- Quítele las puertas
- Déjele las repisas puestas para que los niños no puedan meterse fácilmente.



Instrucciones para la instalación

La instalación apropiada del refrigerador asegurará el funcionamiento más eficiente.

Requerimientos de espacio



ADVERTENCIA

Mantenga los materiales y los vapores inflamables, como gasolina, lejos del refrigerador. El no hacerlo puede causar como resultado la muerte, una explosión, un incendio o quemaduras.

- Para asegurar la ventilación apropiada del refrigerador, deje un espacio de 1" (2.5 cm) en la parte superior del refrigerador.
- Si su refrigerador tiene una máquina para hacer hielo, asegúrese de dejar espacio adicional en la parte posterior para la conexión de la línea de agua. El refrigerador puede estar al ras con la pared posterior si no instala una máquina para hacer hielo.
- Si se instala el refrigerador junto a una pared fija, deje un espacio de 2 1/2" (6.35 cm) en cada lado (dependiendo del modelo) para permitir que las puertas se abran 90°.

NOTA: No instale el refrigerador junto a un horno, radiador u otra fuente de calor, ni en un área donde la temperatura bajará a menos de 55°F (13°C).

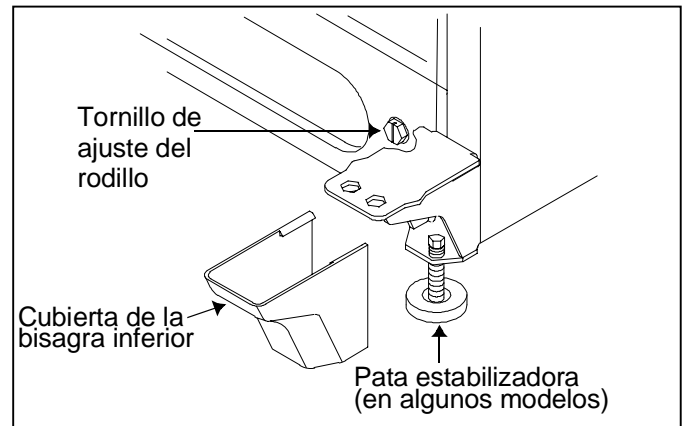
Para nivelar el refrigerador

Algunas instalaciones pueden requerir que las puertas se tengan que invertir para que puedan abrirse completamente. Si es así, continúe con la sección "Para invertir las puertas" antes de nivelar el refrigerador.

Si su refrigerador requiere que se conecte la máquina de hielo, continúe con la sección "Conexión para la línea de suministro de agua para la máquina de hielo" en la página 30 antes de nivelar el refrigerador.

1. Enchufe el cordón eléctrico.
2. Mueva el refrigerador a la ubicación final.
3. Nivele el refrigerador con un nivelador colocado encima del refrigerador y realizando los pasos siguientes:
 - Quite la parrilla inferior y la cubierta de la bisagra inferior si el refrigerador tiene una pata estabilizadora.
 - Gire 3/8" (9 mm) los tornillos de rodillo de cabeza hexagonal de ajuste para subir o bajar el gabinete del refrigerador. La parte delantera del refrigerador debe estar 1/4" (6 mm) ó 1/2" burbuja de nivel más alta que la parte posterior.
 - Asegúrese de que el gabinete del refrigerador esté nivelado de lado a lado ajustando los tornillos de ajuste izquierdo y derecho.

- Gire la pata estabilizadora (en algunos modelos) en sentido de las manecillas del reloj hasta que quede firme sobre el piso.



Para invertir la puerta

Herramientas necesarias

Espátula (con la hoja cubierta con cinta adhesiva masking)
Llave para tuercas hexagonales de 5/16"
Llave para tuercas hexagonales de 3/8"
Desarmador phillips
Desarmador plano

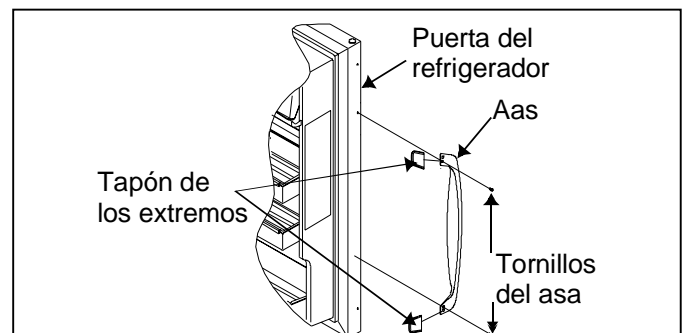
Algunas instalaciones pueden requerir que las puertas se tengan que invertir para que puedan abrirse completamente. Si es así, ejecute los pasos siguientes:

1. Quite e invierta las asas del refrigerador y del congelador.

IMPORTANTE: Para evitar los raspones en la superficie del refrigerador, **se debe cubrir con cinta adhesiva masking** la hoja del desarmador y de la espátula que se piden para los siguientes pasos.

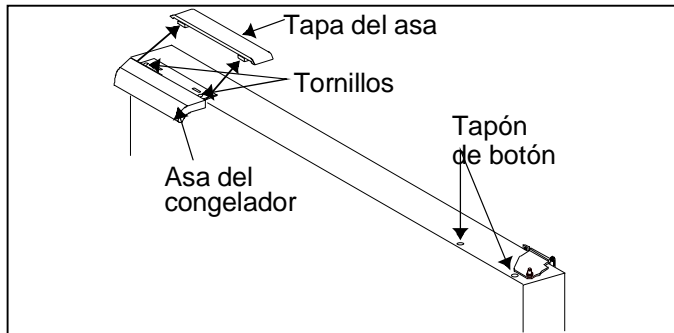
Refrigerador

- Extraiga el borde del tapón de la base del asa con un desarmador cubierto con cinta adhesiva masking (vea la ilustración más adelante). Quite un tornillo de la parte inferior y dos de la parte superior del asa de la puerta.
- La placa del nombre con el logotipo se invierte automáticamente.



Congelador

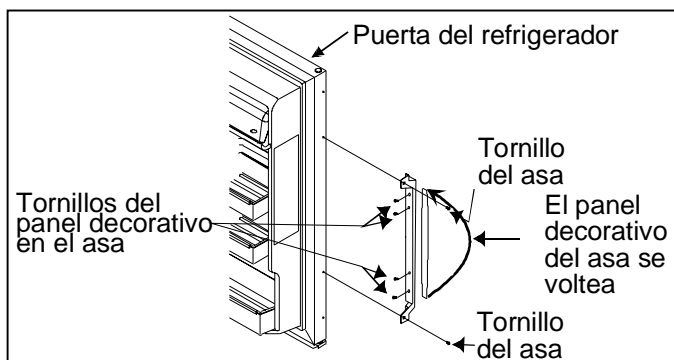
- Extraiga el borde de tapón de la parte superior del asa del congelador con un desarmador con la hoja cubierta con cinta adhesiva masking (vea la ilustración más adelante). Quite un tornillo superior y dos inferiores de montaje.
- Extraiga los dos tapones de botón de la bisagra del lado de la puerta con un desarmador con la hoja cubierta con cinta adhesiva masking. Guarde los tapones de botón porque se usarán más adelante.



Si tiene asas con un panel decorativo completo siga los pasos a continuación para quitar el asa:

Refrigerador

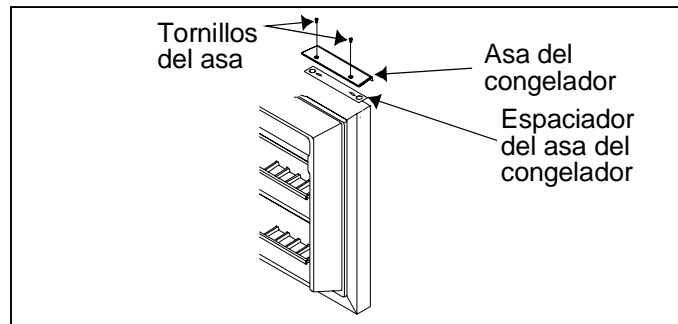
- Quite los dos tornillos de los extremos superior e inferior del asa del refrigerador.
- Quite la pieza insertada en el asa retirando los cuatro tornillos phillips en la parte posterior del asa.
- Si va a invertir las puertas, voltee la pieza insertada en el asa de modo que el logo quede al derecho.



- Coloque de nuevo el panel decorativo en el asa con los cuatro tornillos que quitó previamente.

Congelador

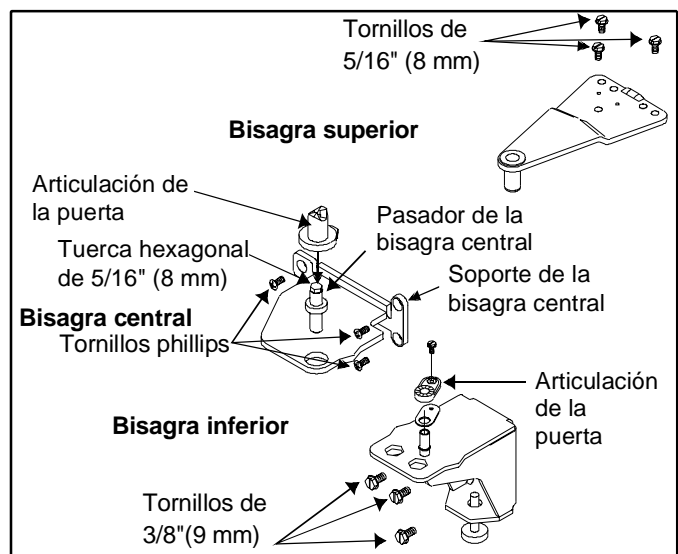
- Quite los tornillos del asa del congelador con un desarmador phillips. Quite el espaciador del asa del congelador.
- Extraiga los dos tapones de botón de la bisagra del lado de la puerta con un desarmador con la hoja cubierta con cinta adhesiva masking.



ADVERTENCIA

Desconecte la corriente eléctrica del refrigerador antes de quitar las puertas para evitar descargas eléctricas que pueden causar lesiones personales graves o la muerte. Después de volver a colocar las puertas, conecte la corriente eléctrica.

2. Quite la cubierta de la bisagra superior, ésta es colocada a presión y salta rápidamente. Quite la bisagra superior y la laminilla usando un desarmador para tuercas hexagonales.
3. Levante la puerta del congelador para sacarla de la bisagra central.
4. Levante el cerrador de la puerta para sacarlo del pasador de la bisagra central. Quite el pasador de la bisagra central.
5. Quite la puerta del congelador levantándola de la bisagra inferior.
6. Quite el soporte de la bisagra central y la laminilla usando un desarmador phillips.
7. Quite la parrilla inferior y la cubierta de la bisagra inferior. Ambas están colocadas a presión y saltan rápidamente.
8. Quite la bisagra inferior y la laminilla usando un desarmador de tuercas hexagonales.





PRECAUCIÓN

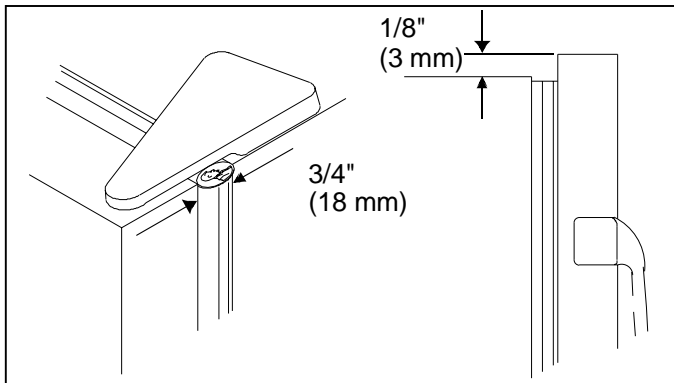
Para evitar daños materiales, proteja el piso vinílico suave o de otro tipo con cartones, alfombras u otros materiales protectores.

9. Invierta las puertas realizando los pasos siguientes:

- Quite los tapones de botón del lado opuesto del gabinete del refrigerador con una espátula con la hoja cubierta con cinta adhesiva masking. Introduzca los tapones de botón en los orificios que quedaron al quitar la bisagra.
- Quite la varilla de soporte interna que está ubicada debajo del tirador del congelador. Vuelva a instalar el soporte en el agujero de la bisagra en el lado opuesto de la puerta.

10. Vuelva a colgar las puertas colocando las bisagras inferior, central y superior, así como las puertas del congelador y del refrigerador en el lado opuesto del refrigerador siguiendo los pasos 2 al 8 en orden inverso.

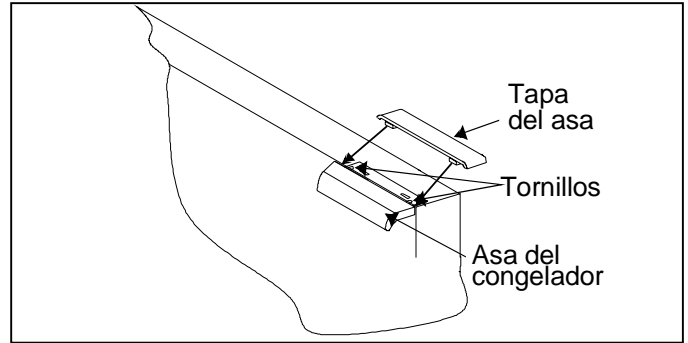
- Utilice una moneda en la parte superior para separar las puertas $\frac{3}{4}$ " (18 mm) del gabinete.
- El lado del asa de la puerta debe estar aproximadamente $\frac{1}{8}$ " (3 mm) más alto que el lado donde está la bisagra.



11. Vuelva a colocar el asa de la puerta del congelador.

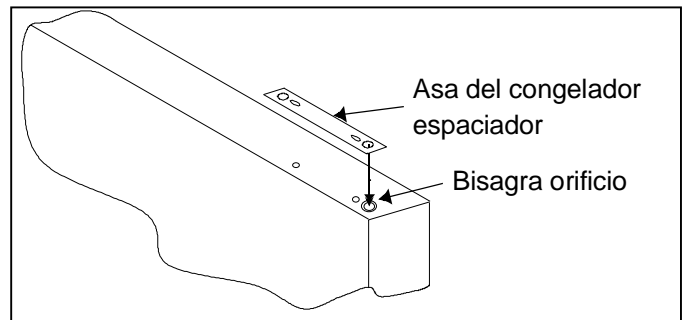
Modelos con tapa del asa del congelador.

- Monte el asa en el lado opuesto de la puerta usando los tornillos de montaje que quitó con anterioridad.
- Cuadre el borde frontal de la tapa hacia abajo, hacia el filo trasero del asa del congelador. Verifique que la lengüeta inferior de la tapa del congelador se deslice por abajo del filo posterior del asa del congelador. Encaje la parte posterior de la tapa del asa en su lugar. Coloque los dos tapones de botón en los orificios vacíos de montaje.



Modelos sin tapa del asa del congelador.

- Coloque el espaciador de la bisagra en el lado sin bisagra de la puerta. El orificio grande en el espaciador de la bisagra debe alinearse con el orificio al invertir la bisagra.



- Replace freezer handle on non-hinge side of door with screws previously removed.

12. Replace refrigerator door handles.

Models with removable handle logo insert.

- Pry two button plugs from hinge side of door with a putty knife, the blade covered with masking tape. Mount handle to opposite side of door using mounting screws removed in previous steps.

Models with automatic reversing logo.

- Pry 4 button plugs from hinge side of door with putty knife, blade covered with masking tape. Mount handle on opposite side of door using mounting screws removed in previous step.
- Snap end caps into place. Replace 4 button plugs in empty mounting holes.

Conexión para la línea de suministro de agua de la máquina de hielos

(en algunos modelos)



ADVERTENCIA

Desconecte la corriente eléctrica del refrigerador antes de conectar el suministro de agua para evitar descargas eléctricas que pueden causar lesiones personales graves o la muerte. Después de volver a colocar las puertas, conecte la corriente eléctrica.



PRECAUCIÓN

Acate los puntos siguientes para evitar daños materiales:

- Compruebe que la presión del agua en la válvula de agua esté entre 20 y 100 libras por pulgada cuadrada.
- Apriete la conexión y las tuercas del adaptador con unas pinzas y con una llave de tuercas. No lo apriete de más.
- Revise si hay goteras de agua y arréguelas si es necesario antes de volver a colocar el refrigerador en su lugar. Después de 24 horas revise nuevamente si hay goteras.

Importante

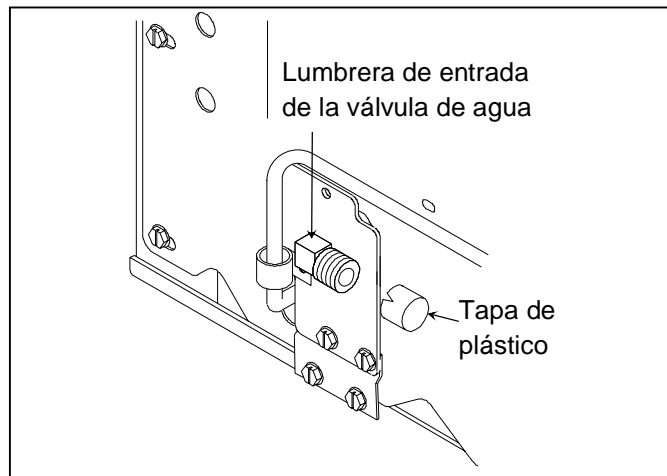
- Antes de conectar el suministro de agua, comuníquese con un plomero para que conecte la tubería de cobre a la plomería de la casa en conformidad con los códigos y reglamentos locales.
- Amana no recomienda el uso de válvulas de tipo de penetración o de sillín de $\frac{3}{16}$ " (9 mm). Ambas reducen el flujo del agua, con el tiempo se obstruyen y además pueden causar goteras si trata de repararlas. El tipo correcto de válvula de cierre requiere que se haga un orificio de $\frac{1}{4}$ " (6 mm) en la tubería del suministro de agua antes de conectar la válvula. Amana no es responsable por daños materiales causados por una conexión de agua inapropiada.

Materiales necesarios

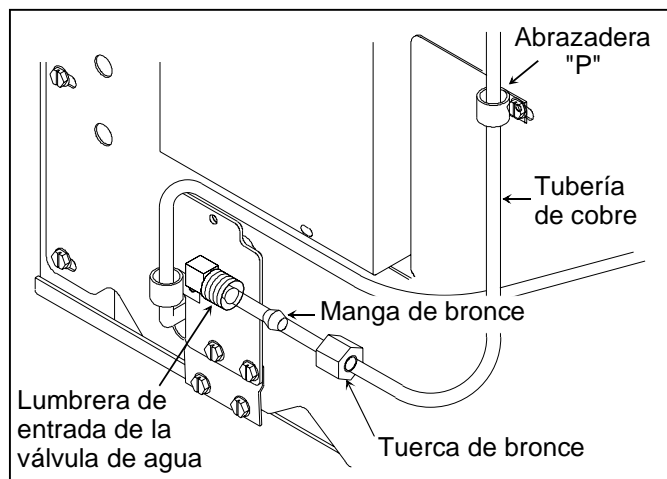
Se requiere tubería de cobre flexible de $\frac{1}{4}$ " (6 mm). La longitud de la tubería de cobre debe alcanzar desde la conexión del suministro de agua hasta la lumbrera de entrada de la válvula de agua en la parte trasera del refrigerador, además se necesitan 8 pies (2 m) adicionales de tubería para un lazo de servicio. El lazo de servicio permitirá que el refrigerador se pueda separar de la pared sin desconectar la tubería.

Procedimiento

1. Quite la tapa de plástico de la lumbrera de entrada de la válvula de agua.



2. Coloque la tuerca y la manga de bronce en la tubería de cobre. (La tuerca y la manga de bronce se encuentran en el paquete de información.) Introduzca la tubería de cobre en la lumbrera de entrada de la válvula de agua. Conecte la tuerca de bronce en la tubería de cobre en la lumbrera de entrada de la válvula de agua. Compruebe que la tubería de cobre esté bien segura tirando de ella ligeramente.



3. Abra el suministro de agua que va al refrigerador y revise posibles goteras. Repare las goteras cuando lo conecte. Tenga cuidado de no apretar demasiado la conexión.
4. Haga un lazo de servicio con extremado cuidado para evitar dobleces. Asegure la tubería de cobre al gabinete del refrigerador con una abrazadera "P".

Lista de verificación de la instalación

Esta lista de verificación sirve para llevar un registro personal exclusivamente.

Consumidor

Instalador

Puertas

Las asas están conectadas firmemente a las puertas.

El lado del refrigerador que tiene el asa está aproximadamente $\frac{1}{8}$ " (3 mm) más alto que el lado donde están las bisagras. (La puerta se baja cuando el refrigerador está lleno con alimentos.)

Las puertas se sellan completamente al gabinete del refrigerador.

Nivelación

El refrigerador está inclinado $\frac{1}{4}$ " (6 mm) de adelante hacia atrás.

La rejilla inferior está unida correctamente al refrigerador.

Máquina para hacer hielo

La línea de suministro de agua al refrigerador está abierta.

No hay goteras en la conexión entre la línea de suministro de la casa y el refrigerador. (24 horas más tarde el consumidor debe revisar la conexión para ver si existen goteras.)

El brazo de la máquina para hacer el hielo está en la posición para producir hielo. (La producción inicial de hielo puede tardar hasta 24 horas.)

Documentación del producto

El manual del propietario ha sido revisado incluyendo la siguiente información:

- tarjeta de registro del producto
- controles de las secciones Alimentos frescos y Deepfreeze™
- sistema Chiller Fresh™
- cajón para verduras Garden Fresh™
- sonidos normales de funcionamiento

Notas

Firma del consumidor

Firma del instalador

Nombre/Número de teléfono
de la compañía instaladora

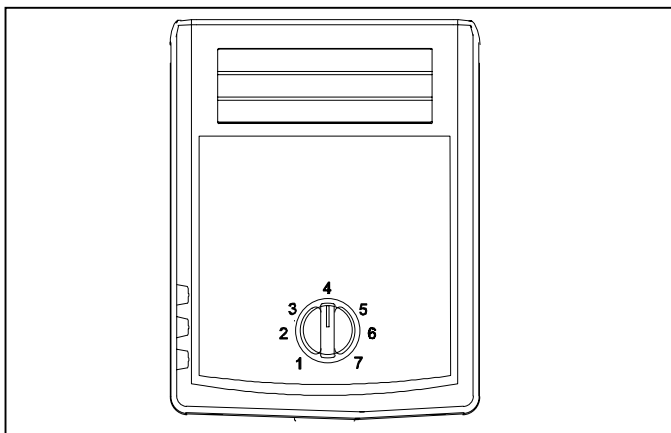
Fecha

Controles

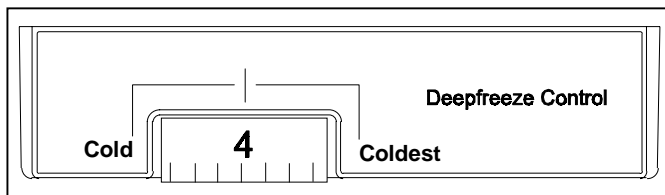
Este refrigerador funciona con mayor eficacia en temperaturas domésticas normales, entre 55° y 110°F (13° y 43°C).

Controles de las secciones Alimentos frescos y Deepfreeze™

El control de la sección Alimentos frescos está ubicada en la parte superior de la pared trasera de dicha sección.



El control del Deepfreeze™ está ubicado en el lado izquierdo delantero del techo del congelador.



Ajuste de los controles

Cuando el control del Deepfreeze™ está colocado en la posición *DESACTIVADA (OFF)*, ni la sección del refrigerador ni la del congelador se enfriarán.

Inicialmente, coloque ambos controles en 4. Espere 24 horas para que las secciones del refrigerador y del congelador establezcan la temperatura. Después de 24 horas, ajuste los controles, un solo número a la vez, según se desee. El 1 es el menos frío y el 7 el más frío.

Ajuste con precisión los controles utilizando un termómetro común que abarque temperaturas entre -5° y 50°F (-21° y 10°C).

Coloque el termómetro ajustadamente entre paquetes en la sección del congelador y espere de 5 a 8 horas. Si la temperatura del Deepfreeze™ no se encuentra entre 0° y 2°F (-17° y -16°C), ajuste el control, un solo número a la vez. Revise nuevamente después de 5 a 8 horas.

Coloque el termómetro en un vaso de agua en medio de la sección Alimentos frescos y espere 5 a 8 horas. Si la temperatura de Alimentos frescos no se encuentra entre 38° y 40°F (3° y 4°C), ajuste el control, un solo número a la vez. Revise nuevamente después de 5 a 8 horas.

Características de la sección Alimentos frescos

Repisas de la sección Alimentos frescos

Las repisas se ajustan para satisfacer las necesidades individuales de almacenamiento. Algunos modelos vienen con repisas que contienen los derrames menores y que se deslizan hacia afuera. Las repisas que contienen los derrames menores (en algunos modelos) facilitan la limpieza.



PRECAUCIÓN

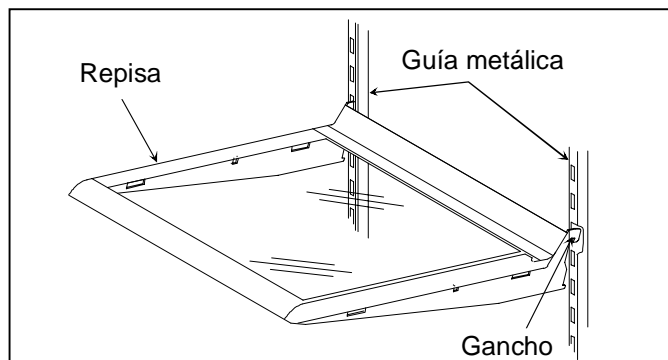
Asegúrese que la repisa esté bien instalada antes de colocar artículos sobre ella para evitar daños materiales.



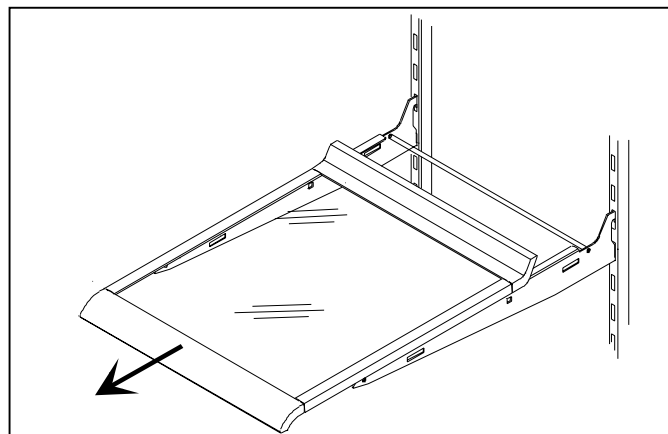
PRECAUCIÓN

Maneje con cuidado las repisas de vidrio templado para evitar lesiones personales o daños materiales. Las repisas se pueden romper súbitamente si tienen fracturas, raspaduras o se exponen a cambios repentinos de temperatura.

- Quite las repisas levantando la parte delantera y liberando los ganchos de la guía metálica, después jalándolas hacia afuera.
- Vuelva a colocar las repisas insertando los ganchos en la guía metálica y bajando la parte delantera.



Las repisas deslizables (en algunos modelos) se pueden deslizar hacia adelante para tener acceso fácil a los artículos de la parte posterior.



Cajones para verduras Garden Fresh™

Los cajones para verduras Garden Fresh™ conservan frescas las verduras por más tiempo. Envuelva las verduras firmemente. No lave las verduras antes de colocarlas en los cajones. El exceso de humedad podría causar que se echen a perder prematuramente. No frote los cajones para verduras con toallas de papel porque retienen la humedad.

El control Garden Fresh™ está ubicado debajo del adorno de la repisa delantera. Deslice el control hacia *high (alta)* para productos que tienen hojas, como la lechuga, espinacas o repollo. Deslice el control hacia *low (baja)* para productos que tienen cáscara, como la coliflor, los elotes o los jitomates.

Quite las repisas y los cajones Crisper efectuando los pasos siguientes:

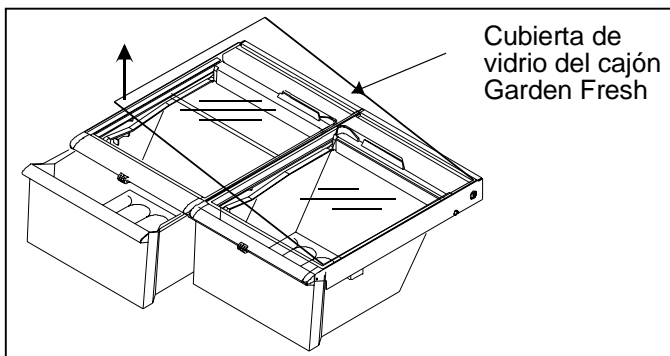
1. Abra el cajón izquierdo.
 - Para las puertas con las bisagras en el lado izquierdo, abra el cajón Crisper derecho.



PRECAUCIÓN

Maneje con cuidado las repisas de vidrio templado para evitar lesiones personales o daños materiales. Las repisas se pueden romper súbitamente si tienen fracturas, raspaduras o se exponen a cambios bruscos de temperatura.

2. Quite la repisa empujando suavemente hacia arriba desde abajo. Incline un extremo hacia arriba luego jálelo.



3. Quite el cajón Garden Fresh izquierdo levantando la parte delantera mientras lo sostiene por debajo y luego jalándolo. Para las puertas con las bisagras en el lado izquierdo, quite el cajón para verduras derecho.
4. Extraiga el poste de soporte del orificio en el centro de la parte inferior de la sección de alimentos frescos.
5. Quite el otro cajón para verduras deslizándolo hacia la pared opuesta. Levante por delante el cajón mientras lo sostiene por debajo y luego jálelo.

6. Vuelva a colocar los cajones Garden Fresh y la repisa repitiendo los pasos del 2 al 5 en orden inverso.

Cajón ajustable para embutidos Deli

Drawer™ (en algunos modelos)

- Quite el cajón y la manga levantando y jalándolo. Consulte "Repisas Spillsaver™" que contienen derrames para ver las instrucciones para quitar y reemplazar la repisa.
- Coloque de nuevo el cajón deslizándolo hacia adentro.

Sistema Chiller Fresh™ (en algunos modelos)

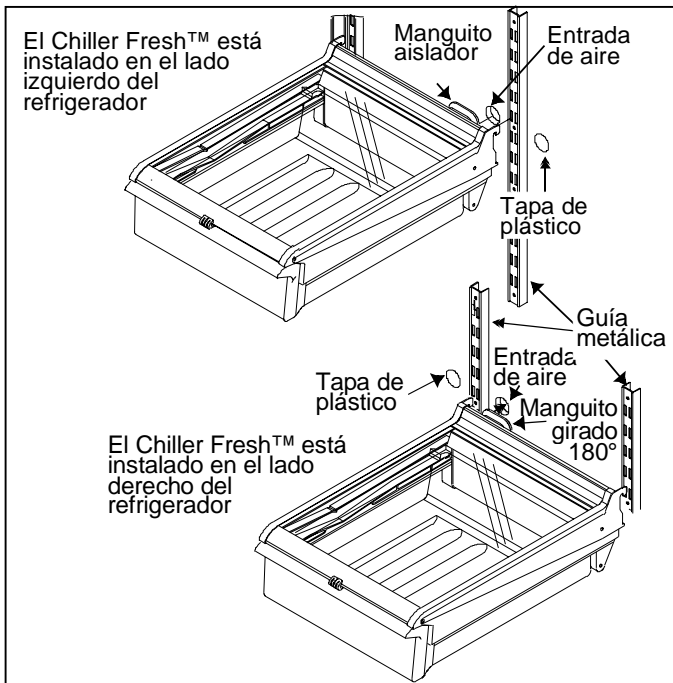
El sistema Chiller Fresh™ incluye un cajón con rieles dentro de un compartimiento aislante. El aire circula entre el cajón y el compartimiento aislante. Este sistema conserva frescos los alimentos por más tiempo y hasta 5°F (3°C) más fríos que la temperatura de la sección Alimentos frescos.

El control del Chiller Fresh™ está ubicado debajo del adorno de la repisa delantera. El control ajusta la cantidad de aire que circula alrededor del cajón. Deslice el control hacia *COLD (frío)* para la temperatura normal de la sección Alimentos frescos y hacia *COLDER (frío máximo)* para la temperatura más fría. Es posible que se formen cristales de hielo en el cajón o en los alimentos en la posición *COLDER (frío máximo)*. El aire frío puede disminuir la temperatura de la sección Alimentos frescos. Tal vez sea necesario ajustar el control de la sección Alimentos frescos.

- Saque el cajón levantándolo y jalándolo hacia afuera. Quite la repisa levantando desde el frente y liberando los ganchos de la guía metálica y luego jale hacia afuera.
- Vuelva a colocar la repisa insertando los ganchos en la guía metálica y bajando el frente. Use las ranuras de la 4 a la 6 solamente.
- Vuelva a colocar el cajón deslizándolo hacia adentro. Cerciórese de que el manguito aislador quepa ceñidamente sobre la entrada de aire de la pared posterior.

Cuando mueva el sistema Chiller Fresh™ hacia la izquierda o derecha, lleve a cabo los siguientes pasos:

1. Extraiga el tapón de plástico de la pared posterior de la sección Alimentos frescos colocando un cuchillo cubierto con cinta adhesiva masking debajo del tapón y jalando hacia adelante.



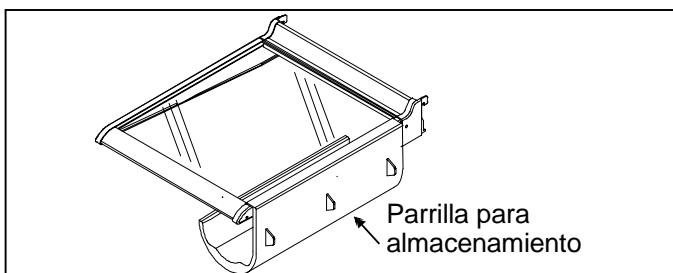
2. Gire el manguito aislador 180° hacia el lado contrario.
3. Introduzca el tapón de plástico en el lado contrario de la sección Alimentos frescos. Verifique que el tapón esté bien colocado en su lugar. El aire frío puede hacer que se congelen los alimentos si no se vuelve a colocar el tapón.

Parrilla para almacenamiento

(en algunos modelos)

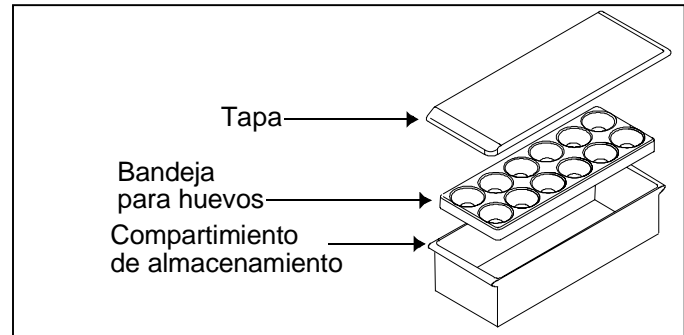
La parrilla para almacenamiento ofrece un conveniente lugar para almacenar botellas altas, huevos, etc.

- Cuelgue la parrilla enganchándola del borde de la repisa.



Compartimiento cubierto para almacenamiento (en algunos modelos)

El compartimiento de almacenamiento tiene una tapa y una bandeja desmontable para huevos. Cuando se saca la bandeja, se pueden acomodar artículos tales como cajas regulares de huevos, hielo, etc.

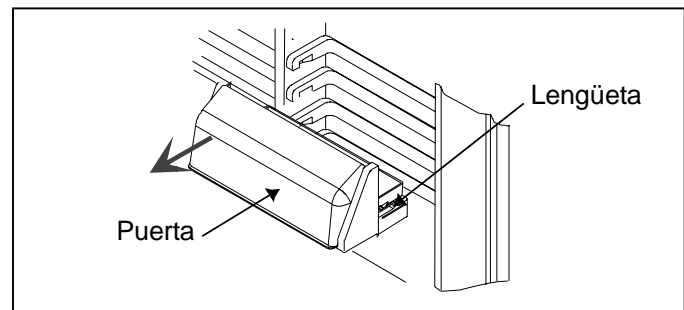


Compartimientos para productos lácteos

(en algunos modelos)

Los compartimientos para productos lácteos ofrecen un conveniente lugar para guardar mantequilla, queso, etc.

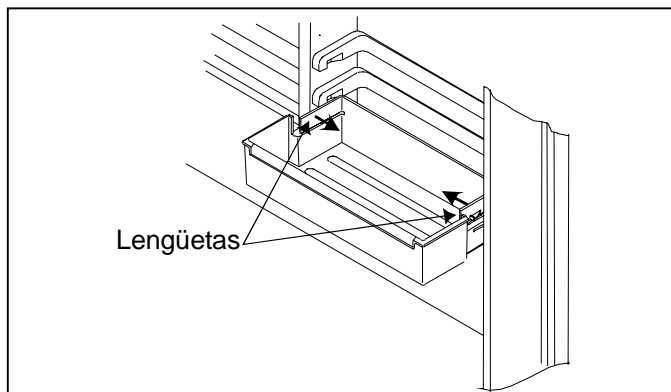
- Quite los compartimientos para productos lácteos levantando la puerta, empujando las lengüetas de la repisa en ambos lados y jalando hacia afuera.
- Vuelva a colocar los compartimientos para productos lácteos deslizándolos hasta que las lengüetas encajen en su sitio y luego baje la puerta.



Compartimientos de la puerta

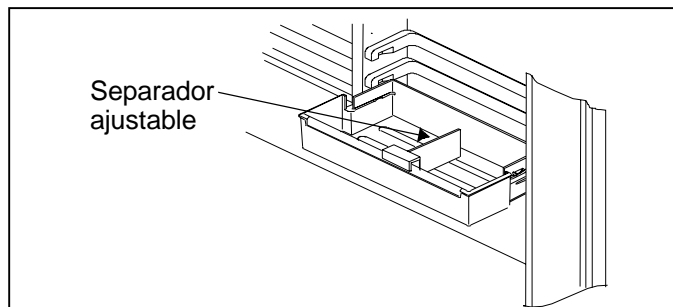
Los compartimientos de la puerta se ajustan para satisfacer las necesidades individuales de almacenamiento.

- Quite los compartimientos de la puerta empujando las lengüetas de los extremos de la repisa hacia el centro y jalando hacia afuera.
- Vuelva a poner los compartimientos de la puerta deslizándolos hasta que las lengüetas encajen en su sitio.



Separador ajustable (en algunos modelos)

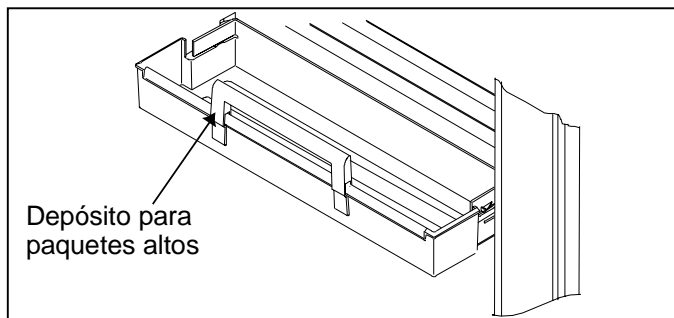
El separador ajustable mantiene los artículos en su sitio y se ajusta para satisfacer las necesidades individuales de almacenamiento. El separador cabe en cualquier compartimiento o repisa de la puerta.



Depósito para paquetes altos

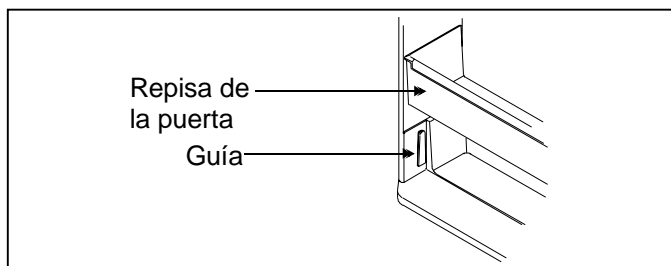
(en algunos modelos)

El depósito para paquetes altos mantiene seguros los paquetes altos. El depósito cabe en cualquier compartimiento o repisa de la puerta.



Repisas de la puerta

- Quite la repisa de la puerta levantando los extremos y jalando hacia afuera.
- Vuelva a colocar la repisa sobre las guías y deslice hacia abajo.



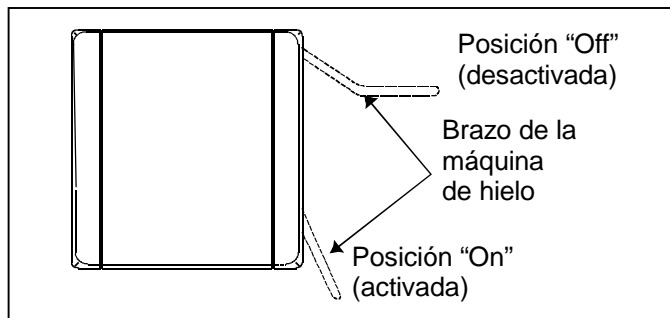
Características del Deepfreeze™

Sistema sin escarcha

Las secciones de Alimentos frescos y Deepfreeze™ se mantienen completamente sin escarcha. La descongelación es automática bajo condiciones normales. Nunca se tiene que descongelar la sección Alimentos frescos ni la Deepfreeze™.

Máquina de hielo automática (en algunos modelos)

- Asegúrese de que los recipientes para hielo estén en su sitio y que el brazo de la máquina de hielo esté hacia abajo.



- Después que la sección del congelador alcanza la temperatura normal, la máquina de hielo se llena de agua y comienza a funcionar. Espere de 24 a 48 horas después de instalarla para que los hielos estén listos. La máquina de hielo produce de 7 a 9 raciones de hielo durante 24 horas bajo condiciones ideales.
- Después de que se forma el hielo, la máquina deja caer los hielos adentro del recipiente de hielo. Mientras el hielo se está haciendo, el brazo de la máquina se levanta y se baja. Cuando el recipiente de hielo se llena, el brazo de la máquina la desconecta.

Nota: Deseche las tres primeras raciones de hielo para no consumir ninguna impureza que quede en la línea de agua al instalarla.

- Si desea detener la producción automática de hielo levante el brazo de la máquina. Se escucha claramente un chasquido cuando se coloca en la posición adecuada. El brazo de la máquina se quedará en esta posición hasta que se empuje hacia abajo.

Rejilla para servicio de hielo (en algunos modelos)

Para instalar la rejilla para servicio de hielo siga los pasos a continuación usando un desarmador phillips:

1. Afloje el tornillo y la arandela en la pared lateral del congelador.
2. Coloque la parrilla para servicio de hielo sobre las arandelas y deslícelas hacia adentro.
3. Apriete los tornillos y las arandelas.

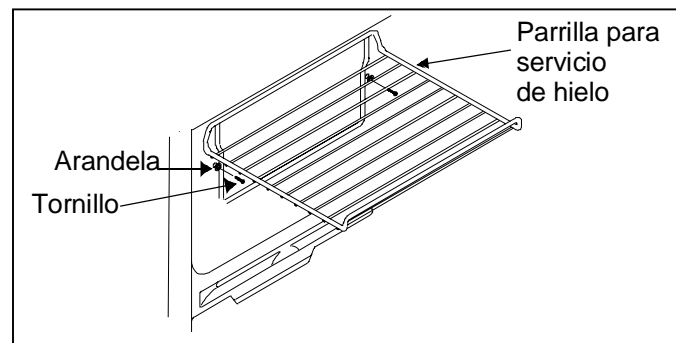
Mueva la rejilla para servicio de hielo realizando los siguientes pasos usando un desarmador phillips:

1. Quite la rejilla para servicio de hielo sacándola de la arandela y jalándola hacia afuera.
2. Saque los tornillos y las arandelas que sostienen la parrilla. Extraiga los tapones de la pared opuesta del congelador. Reemplace los tapones con tornillos y arandelas. Introduzca los tapones en los orificios que quedaron al quitar los tornillos y las arandelas.
3. Vuelva a colocar la parrilla para servicio de hielo colocándola sobre las arandelas y deslizándola hasta que esté firme.



PRECAUCIÓN

Verifique que la repisa esté segura antes de colocar artículos en ella para evitar daños materiales.



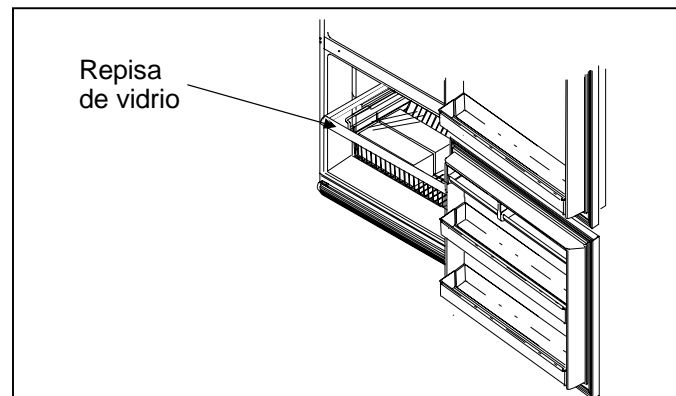
Repisa de vidrio (en algunos modelos)



PRECAUCIÓN

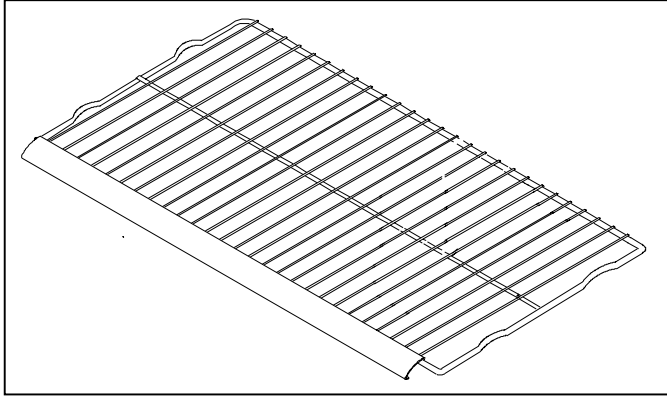
Maneje con cuidado las repisas de vidrio templado para evitar lesiones personales o daños materiales. Las repisas se pueden romper súbitamente si tienen fracturas, raspaduras o se exponen a cambios bruscos de temperatura.

- Quite la repisa de vidrio jalándola hacia afuera. Tal vez sea necesario jalar con fuerza.
- Vuelva a colocar la repisa de vidrio deslizándola hacia adentro hasta que encaje bien.



Repisa de alambre (en algunos modelos)

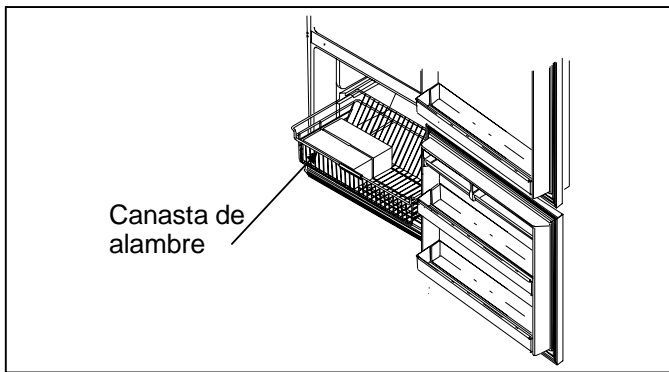
- Quite la repisa de alambre jalándola hacia afuera. Se puede necesitar una jalar con fuerza.
- Vuelva a colocar la repisa de alambre deslizándola hasta que su parte posterior quede en su sitio.



Canasta de alambre

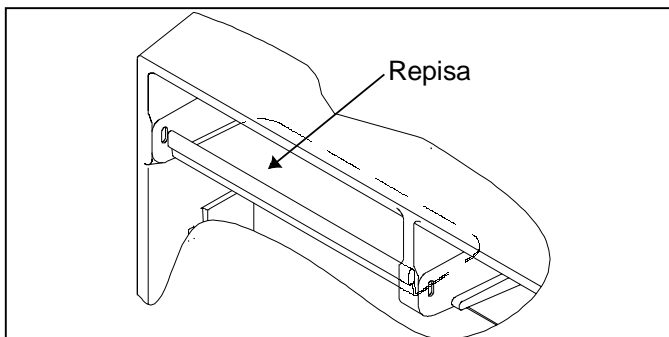
La canasta de alambre se desliza hacia afuera para tener fácil acceso a los artículos en la parte posterior.

- Quite la canasta de alambre levantándola y jalándola.
- Coloque la canasta de alambre de nuevo en su lugar deslizándola hacia adentro.



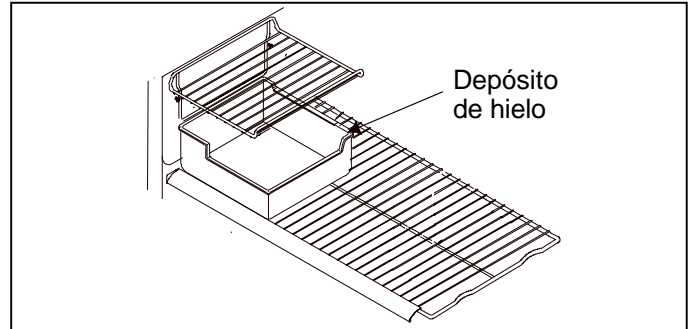
Repisas de la puerta

- Quite la repisa de la puerta deslizando el adorno hacia la derecha o izquierda y después hacia arriba. Levante la repisa y júlela hacia afuera.
- Vuelva a colocar la repisa sobre las guías y deslice el adorno hacia la derecha o izquierda y luego hacia abajo.



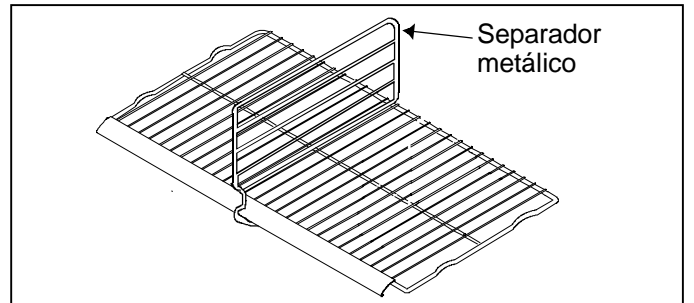
Depósito de hielo (en algunos modelos)

El depósito de hielo está sobre la repisa para servicio de hielo en la repisa de alambre del congelador.



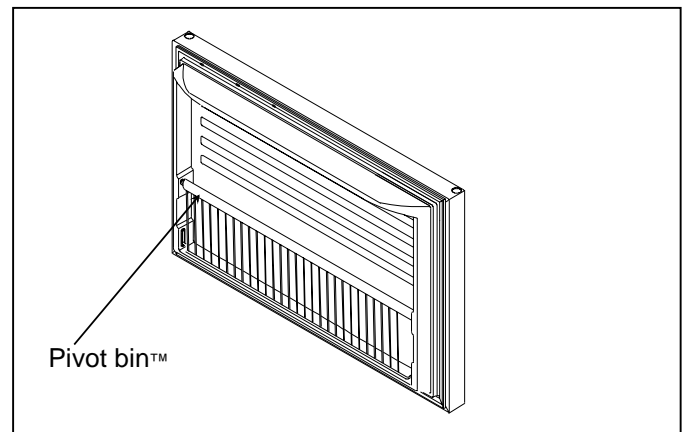
Separador metálico (en algunos modelos)

El separador metálico organiza el espacio de almacenamiento. El separador se puede mover a la izquierda o a la derecha.



Pivot Bin™ (en algunos modelos)

El Pivot Bin™ proporciona un almacenamiento conveniente para los artículos congelados en la puerta congelador y se inclina hacia adelante para facilitar el acceso a dichos artículos.



Cuidado y limpieza



ADVERTENCIA

Desconecte la corriente eléctrica al refrigerador antes de limpiarlo para evitar descargas eléctricas que pueden causar lesiones personales graves o la muerte. Después de limpiarlo, vuelva a conectar la corriente.



PRECAUCIÓN

Lea y siga todas las instrucciones del fabricante de los productos de limpieza para evitar lesiones personales o daños materiales.

Limpieza general

1. Lave las superficies y el exterior con cuatro cucharadas de bicarbonato de sodio disuelto en un litro de agua tibia utilizando un trapo suave y limpio.
2. Enjuague las superficies y el exterior con agua tibia. Seque las superficies con un trapo suave y limpio.
3. NO UTILICE los siguientes productos:
 - limpiadores abrasivos o ásperos tales como amoníaco, cloro, blanqueadores, etc.
 - detergentes o solventes concentrados
 - estropajos metálicos.Estos productos pueden rayar, rajar y decolorar las superficies.
4. No lave las repisas, recipientes, etc. en una lavadora de platos automática.

Adhesivos

1. Elimine el residuo de goma de las superficies del refrigerador frotando un poco de pasta dental sobre el adhesivo hasta aflojarlo.
2. Enjuague la superficie con agua tibia. Seque la superficie con un trapo limpio y suave.

Empaques de la puerta

1. Limpie los empaques de la puerta cada 3 meses de acuerdo con las instrucciones de la sección "Limpieza general". Limpie los derrames inmediatamente.
2. Aplique una capa delgada de vaselina para mantener los empaques flexibles.

Serpentines del condensador

Limpie el serpentín del condensador por atrás de la parrilla inferior cada tres meses para asegurar un funcionamiento óptimo del refrigerador. La acumulación de polvo y pelusa puede causar lo siguiente:

- menor rendimiento de enfriamiento
- aumento del consumo de energía
- falla prematura de las piezas

1. Quite la parrilla inferior sosteniendo los extremos y jalándola hacia afuera del refrigerador.

2. Limpie la superficie delantera del serpentín con la boquilla de la manguera de una aspiradora.
3. Vuelva a colocar la parrilla inferior insertando y encajando las presillas en los agujeros del gabinete.
4. Eleve la pata estabilizadora (en algunos modelos) girándola en sentido contrario al de las manecillas del reloj.



PRECAUCIÓN

Proteja los pisos suaves de vinilo o de otros tipos con cartones, alfombras o algún otro material protector para evitar daños materiales al mover el refrigerador.

5. Jale el refrigerador para alejarlo de la pared. Pase el cepillo de una aspiradora a través de la parrilla de la salida del ventilador del condensador localizada en la parte trasera del refrigerador.

Repisas de vidrio



PRECAUCIÓN

Maneje cuidadosamente las repisas de vidrio templado para evitar lesiones personales o daños materiales. Las repisas se pueden romper súbitamente si tienen fracturas, rayaduras o se exponen a cambios repentinos de temperatura.

Saque la repisa levantándola de la parte delantera, liberando los ganchos de los rieles metálicos, luego jalando la repisa hacia adelante. Colóquela sobre una toalla y permita que la repisa se adapte a la temperatura ambiental durante una hora antes de limpiarla.

Limpie las hendiduras realizando los siguientes pasos:

1. Diluya un detergente suave y aplíquelo en las hendiduras usando un cepillo con cerdas de plástico. Déjelo reposar durante cinco minutos.
2. Rocíe agua tibia en las hendiduras usando un aditamento para rociar agua desde el grifo.
3. Seque bien la repisa y vuelva a colocarla insertando los ganchos en los rieles metálicos y bajándola por la parte delantera.

Eliminación de olores

1. Saque todos los alimentos y desconecte la corriente eléctrica al refrigerador.
2. Limpie todas las superficies interiores incluyendo el techo, el piso y las paredes de acuerdo con las instrucciones de limpieza de la sección "Limpieza general" mostrada anteriormente. Preste atención especial a las esquinas, hendiduras y ranuras. Incluya todos los cajones, repisas y empaques.

Sugerencias para cuando sale de vacaciones

3. Conecte la corriente eléctrica al refrigerador y vuelva a colocar los alimentos en el refrigerador. Lave y seque todos los recipientes. Guarde todos los alimentos en recipientes sellados herméticamente para evitar malos olores adicionales. Después de 24 horas revise si se ha eliminado el olor.

Ejecute los pasos 4 al 9. Si no se ha eliminado el olor, siga los pasos siguientes.

4. Coloque los cajones para verduras en la repisa superior de la sección del refrigerador. Llene las secciones del refrigerador y del congelador, incluyendo las puertas, con hojas estrujadas de periódico.
5. Coloque pedazos de carbón en diferentes lugares del periódico.
6. Cierre las puertas y deje reposar de 24 a 48 horas.
7. Saque los pedazos de carbón y los periódicos.
8. Ejecute los pasos 2 y 3.

Si aún no se ha eliminado el olor, comuníquese con el departamento de asuntos para el cliente. Consulte la sección Identificación del modelo para ver el número telefónico.

Reemplazo de focos



ADVERTENCIA

Desconecte la corriente eléctrica al refrigerador antes de cambiar los focos para evitar descargas eléctricas que podrían causar lesiones graves o la muerte. Después de cambiar los focos, vuelva a conectar la corriente.

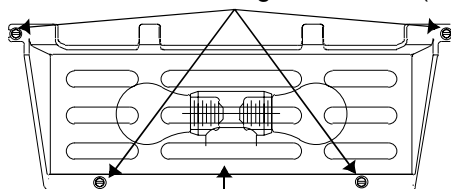


PRECAUCIÓN

Lleve a cabo lo siguiente para evitar lesiones personales o daños materiales.

- Permita que se enfríe el foco.
- Use guantes cuando reemplace el foco.
- Quite la tapa del foco quitando el tornillo en la parte trasera al centro. Tire de la cubierta hacia abajo. Reemplace los focos con focos para electrodomésticos de 40 watts.
- Vuelva a colocar la tapa del foco poniendo la cubierta sobre el foco.

Tornillos con tuerca hexagonal de 1/4" (64 mm)



Cubierta del foco

Siga los pasos a continuación cuando tome unas vacaciones breves.

1. Saque los alimentos que se puedan echar a perder. La garantía no cubre pérdidas de alimentos. Revise el certificado de garantía para ver las coberturas específicas.
2. Si tiene instalada una máquina para hacer hielo, ponga el brazo de la máquina en posición *desactivada (off)*. (Vea la sección "Máquina de hielo automática" en la página 37.)

Siga los pasos a continuación cuando tome vacaciones largas.

1. Vacíe las secciones del refrigerador y del congelador.
2. Desenchufe el refrigerador.
3. Limpie el refrigerador y los empaques de las puertas de acuerdo con las instrucciones de "Limpieza general" en la sección "Cuidado y limpieza".
4. Deje las puertas abiertas para que pueda circular el aire en el interior.
5. Si tiene instalada una máquina para hacer hielo, cierre el suministro del agua al refrigerador y ponga el brazo de la máquina en posición *desactivada (off)*. (Vea la sección "Máquina de hielo automática" en la página 37.)

Sugerencias para conservar energía

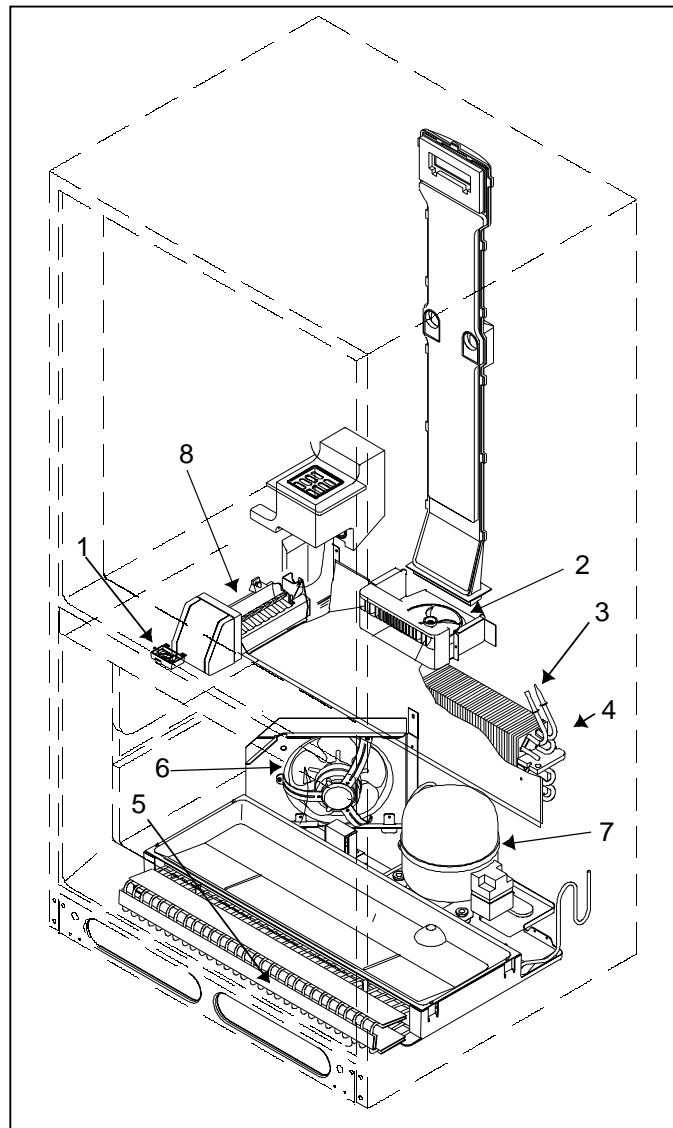
Este refrigerador ha sido diseñado para ser uno de los refrigeradores de mayor rendimiento de energía disponibles. Reduzca el consumo de energía llevando a cabo lo siguiente.

- Manténgalo funcionando a temperaturas normales entre 55° y 110°F (13° y 43°C) alejado de las fuentes de calor y de la luz directa del sol.
- Fije los controles del refrigerador, congelador y cajón de temperatura controlada para carne a una temperatura que no sea más fría de la necesaria.
- Mantenga llena la sección del congelador.
- Mantenga los empaques de la puerta limpios y flexibles. Cambie los empaques si están gastados.
- Mantenga limpios los serpentines del congelador.

Sonidos normales de funcionamiento

Es posible que este refrigerador nuevo esté reemplazando a uno de diferente diseño, menos eficiente o más pequeño. Los refrigeradores actuales tienen características nuevas y un mejor rendimiento de energía. Como resultado de esto, ciertos sonidos pueden parecer poco comunes. Estos sonidos son normales y pronto le serán familiares. Estos sonidos indican también que el refrigerador está funcionando y rindiendo según su diseño.

1. **Control del congelador** produce un chasquido cuando el compresor se enciende y se apaga.
2. **Ventilador del congelador** el aire se acelera y zumba.
3. **Sistema sellado** (evaporador e intercambiador de calor) el flujo del refrigerante gorgojea, cruje o suena como agua hirviendo.
4. **Calentador de descarchado** hace chirridos, silba o cruje.
5. **Reloj automático de descarchado** suena como un reloj eléctrico cuando comienza y termina el ciclo de descarchado.
6. **Ventilador del condensador.** El aire se acelera y zumba.
7. **Compresor.** Tiene un sonido de alta frecuencia de tarareo o pulsante, y se enciende y apaga en ciclos.
8. **Cubos de hielo** de la máquina para hacer hielo (en algunos modelos) caen al recipiente.
9. **La conexión de la válvula de agua** (en algunos modelos) zumba cuando la máquina para hacer hielo se llena con agua. Esto ocurre independientemente de que el refrigerador esté o no esté conectado al suministro de agua. Si no está conectado, anule el ruido colocando el brazo de la máquina para hacer hielo en la posición desactivada (off). La conexión de la válvula de agua está ubicada detrás del ventilador del condensador en la parte posterior del refrigerador. (No se muestra)



Nota: El aislamiento de espuma tiene muy buen rendimiento de energía y excelente capacidad aislante. Sin embargo, no absorbe el ruido tanto como el aislamiento de fibra de vidrio que se usaba anteriormente.

Antes de llamar para solicitar servicio

Problema	Solución
El refrigerador no funciona.	<ul style="list-style-type: none"> • Compruebe que el control del Deepfreeze[®] esté activado. • Compruebe que el refrigerador esté enchufado. Si no lo está, enchufe firmemente el cordón en una tomacorriente del voltaje apropiado. • Revise el fusible o cortacircuitos. Enchufe otro artefacto en el mismo tomacorriente de pared y si no funciona, reemplace el fusible o reajuste el cortacircuitos. • Si el control del congelador está activado, si funcionan las luces pero los dos ventiladores y el compresor no funcionan, el refrigerador podría estar en el ciclo de descarchado. Espere 40 minutos para ver si vuelve a arrancar. Llame para solicitar servicio si el refrigerador no vuelve a arrancar.
Aún no funciona el refrigerador.	<ul style="list-style-type: none"> • Desenchufe el refrigerador. Cambie los alimentos a otro refrigerador o ponga hielo seco en la sección del congelador para conservar los alimentos. La garantía no cubre la pérdida de alimentos. Consulte el certificado de garantía para ver las coberturas específicas. • Llame al 1-800-628-5782 dentro de los EE.UU. y al 1-319-622-5511 fuera de los EE.UU. para localizar un técnico Amana autorizado.
La temperatura de los alimentos parece estar demasiado tibia.	<ul style="list-style-type: none"> • Vea las secciones anteriores. • Deje que transcurra suficiente tiempo para que los alimentos tibios recientemente guardados alcancen la temperatura de Alimentos frescos o del Deepfreeze[®]. Al añadir alimentos se calienta el refrigerador y puede tomarle algunas horas volver a la temperatura normal. • Revise los empaques para ver si sellan correctamente. Los empaques deben sellar ajustadamente al gabinete. • Limpie los serpentines del condensador. Vea las instrucciones para el “Serpentines del condensador” en la sección “Cuidado y limpieza”. • Ajuste el control de Alimentos frescos o del Deepfreeze[®]. Vea las instrucciones en “Ajuste de los controles” en la sección “Controles”. • Las luces del congelador o refrigerador permanecen encendidas. Si la luz permanece encendida, llame para solicitar servicio. • Las ventilas de aire están obstruidas y restringen la circulación del aire frío. Ubique las ventilas usando la mano para sentir el flujo de aire y mueva todos los paquetes que obstruyan las ventilas y restrinjan el flujo de aire.
La temperatura del sistema Chiller Fresh está muy tibia.	<ul style="list-style-type: none"> • Deslice el control a una posición más fría. • Ajuste el control del Deepfreeze[®] a una temperatura más fría. Vea las instrucciones en “Ajuste de los controles” en la sección “Controles”.
La temperatura de los alimentos es demasiado fría.	<ul style="list-style-type: none"> • Limpie los serpentines del congelador. Vea las instrucciones de “Serpentines del congelador” en la sección “Cuidado y limpieza”. • Ajuste el control de Alimentos frescos. Vea las instrucciones en “Ajuste de los controles” en la sección “Controles”. • Ajuste el control del Deepfreeze[®] a una posición menos fría. Vea las instrucciones en “Ajuste de los controles” en la sección “Controles”. Deje que pasen varias horas para que la temperatura se ajuste.

Antes de llamar para solicitar servicio

Problema	Solución
El refrigerador se acciona con demasiada frecuencia.	<ul style="list-style-type: none"> • Podría ser normal para mantener una temperatura constante. • Las puertas se han abierto frecuentemente o durante períodos prolongados de tiempo. Cuando se abre la puerta el aire tibio entra al refrigerador. Entre más se abre la puerta mayor es el aire tibio que el refrigerador tiene que enfriar. • Permita tiempo suficiente para que los alimentos tibios recientemente guardados alcancen la temperatura del refrigerador o del congelador. Puede tomar varias horas para que el refrigerador alcance otra vez la temperatura normal. • Limpie los serpentines del condensador. Vea las instrucciones de "Serpentines del condensador" en la sección "Cuidado y limpieza". • Ajuste el control del Deepfreeze®. Vea las instrucciones en "Ajuste de los controles" en la sección "Controles". • Revise que los empaques sellen correctamente. Los empaques deben sellar ajustadamente al gabinete. • La luz del congelador permanece encendida. Si la luz permanece encendida, llame para solicitar servicio.
Se forman gotas de agua dentro del refrigerador.	<ul style="list-style-type: none"> • Es normal durante períodos de alta humedad o si se abren las puertas con mucha frecuencia. • Envuelva bien los alimentos y seque los recipientes húmedos antes de guardarlos en el refrigerador para evitar la acumulación de humedad.
Se forman gotas de agua fuera del refrigerador.	<ul style="list-style-type: none"> • Revise los empaques de la puerta para ver si sellan correctamente. Los empaques deben sellar ajustadamente al gabinete. • Es normal durante períodos de alta humedad o si se abren las puertas con mucha frecuencia.
Los cajones Garden Fresh™ o Chiller Fresh™ no cierran con facilidad (en algunos modelos).	<ul style="list-style-type: none"> • Revise si hay un paquete que impida que cierre bien el cajón. • Compruebe que el cajón esté en la posición correcta. • Limpie los canales del cajón con agua tibia y jabonosa. Enjuague y seque bien. • Aplique una capa delgada de vaselina a los canales del cajón. • Compruebe que el refrigerador esté nivelado.
El refrigerador tiene mal olor.	<ul style="list-style-type: none"> • Consulte las instrucciones para la "Eliminación de olores" en la sección "Cuidado y limpieza".
El refrigerador hace sonidos poco comunes o que parecen demasiado altos.	<ul style="list-style-type: none"> • Podría ser normal. Consulte la sección "Sonidos normales de funcionamiento".

Antes de llamar para solicitar servicio

Problema	Solución
Los cubos de hielo tienen mal olor.	<ul style="list-style-type: none"> • Consulte las instrucciones para la “Eliminación de olores” en la sección “Cuidado y limpieza”. • La máquina para hacer hielo se instaló recientemente. Deseche varios lotes de hielo para evitar hielos descoloridos o con mal sabor. • Hay alimentos que no están bien sellados en el compartimiento del refrigerador o del congelador. Vuelva a envolver los alimentos ya que los olores pueden impregnar el hielo si los alimentos no están envueltos apropiadamente. • Deseche el hielo y lave el recipiente o las bandejas más frecuentemente. Los cubos de hielo son porosos y absorben fácilmente los olores. • El suministro de agua contiene minerales tales como sulfuro. En algunos casos se necesita instalar un filtro para eliminar los problemas con el sabor y el olor.
Los cubos de hielo se pegan o se “encogen”.	<ul style="list-style-type: none"> • Vacíe el recipiente o las bandejas para hielo con más frecuencia. Si se usan con poca frecuencia, los cubos pueden pegarse o encogerse.
La máquina de hielo no está haciendo hielo.	<ul style="list-style-type: none"> • La presión del agua puede estar muy baja o muy alta. La máquina de hielo requiere una presión de agua de 20 a 120 psi para funcionar de modo apropiado. • Compruebe que el brazo de la máquina de hielo esté hacia abajo. Vea la sección “Máquina de hielo automática”. • Compruebe que el suministro de agua de la casa lleve a la válvula de agua. Asegúrese de que la llave de la válvula de agua esté completamente abierta. • Compruebe que los alambres del arnés de la máquina de hielo estén completamente dentro de los orificios apropiados. • Revise para ver si hay torceduras en las tuberías de cobre o de plástico. Elimine las torceduras o reemplace la tubería. • Revise las conexiones eléctricas al serpentín de la válvula del agua y el bloc conector en el gabinete del refrigerador. • Si se instaló un filtro de agua en la línea de agua afuera del refrigerador. Revise el filtro para ver si hay obstrucciones o si fue instalado incorrectamente.

Antes de llamar para solicitar servicio

Problema	Solución
La máquina de hielo no produce suficiente hielo.	<ul style="list-style-type: none">• La máquina de hielo se instaló recientemente o se usó recientemente una cantidad grande de hielo. Espere 24 horas para que la producción de hielo comience y para que la máquina de hielo se surta después de ser vaciada.• Compruebe que el suministro de agua llegue a la válvula de agua. Asegúrese que la llave de la válvula de agua esté completamente abierta.• Se usó una válvula de tipo de penetración o de sillín de $\frac{3}{16}$" para la conexión. Ambas reducen el flujo de agua y pueden obstruirse con el tiempo. Reemplace estas válvulas con el tipo correcto de válvula de sillín que requiere que se haga un orificio de $\frac{1}{4}$" en la tubería de suministro de agua antes de conectar la válvula.• Revise para ver si hay torceduras en las tuberías de cobre o de plástico. Elimine las torceduras o reemplace la tubería.• Compruebe que la sección del congelador esté funcionando a la temperatura apropiada. El congelador debe estar lo suficientemente frío para producir hielo. Vea la sección "Ajuste de los controles".
Se forma hielo en el tubo de entrada de la máquina de hielo.	<ul style="list-style-type: none">• Revise la presión del agua. La presión de agua baja causa que la válvula gotee.

Garantía

Garantía completa de un año

Garantía completa de cinco años en los componentes del sistema sellado y en el revestimiento del compartimiento de los alimentos

Primer año

Amana Appliances reparará o reemplazará sin cargo alguno, cualquier pieza que esté defectuosa debido a la mano de obra o a los materiales.

Del segundo al quinto año

Amana Appliances reemplazará, sin cargo alguno, cualquier componente del sistema sellado (compresor, condensador, evaporador y la tubería de interconexión) y reparará cualquier revestimiento del compartimiento de los alimentos (excluyendo el revestimiento de la puerta) que esté defectuoso debido a la mano de obra o a los materiales.

Limitaciones de la garantía

- Comienza a partir de la fecha de la compra original.
- Se aplica a productos que se van a usar dentro de los Estados Unidos o en Canadá, si el producto viene de la fábrica con la aprobación de la Asociación de Normas Canadienses.
- El servicio debe realizarlo un técnico de Amana autorizado.

La garantía se anulará si:

- La placa del número de serie está borrosa o ilegible.
- Se le ha dado uso comercial al producto, se ha rentado o alquilado.
- El producto tiene algún defecto o daño debido a un accidente, alteración, conexión eléctrica incorrecta, incendio, inundación, relámpagos, envío o manejo del producto, u otras condiciones fuera del control de Amana.
- El producto ha sido instalado o usado incorrectamente.

Responsabilidad del propietario

- Proporcionar evidencia de compra (recibo).
- Proporcionar cuidado y mantenimiento normales. Reemplazar los artículos reemplazables por el propietario de acuerdo con las instrucciones que aparecen en el Manual del propietario.
- Permitir que el producto sea razonablemente accesible por el personal de servicio.
- Pagar una compensación de los gastos de servicio por los servicios prestados por el técnico fuera de su horario habitual de trabajo.
- Pagar por las llamadas para solicitar servicio relacionado con la instalación del producto.

En ningún caso Amana Appliances se hará responsable de daños incidentales o emergentes, incluyendo la pérdida de alimentos*

* Esta garantía otorga derechos legales específicos y puede ser que existan otros derechos que difieren de un estado a otro. Por ejemplo, algunos estados no permiten la exclusión o limitación de los daños incidentales o emergentes, por lo tanto, es posible que esta exclusión no le afecte a usted.

