

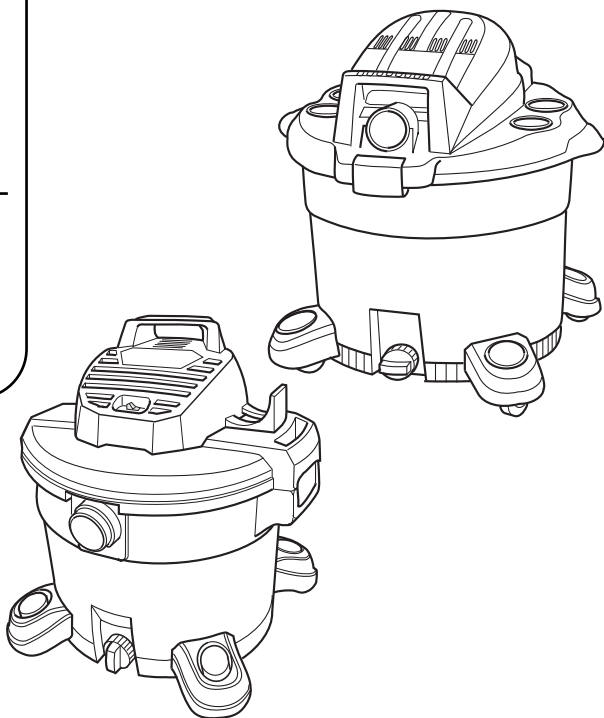
WORKSHOP[®] MD

WET/DRY VACS

OWNER'S MANUAL

- Wet/Dry Vac
- 12 U.S. Gallon/
45 Liter
- WS1200VA0

- 16 U.S. Gallon/
60 Liter
- WS1600VA0



FOR QUESTIONS OR INFORMATION CONTACT US AT:
1-888-455-8724 from the US and Canada
www.WORKSHOPvacs.com

⚠ WARNING:

To reduce the risk of injury, the user must read and understand the owner's manual before using this product.

- Español - página 17
- Français - page 33

SAVE THIS MANUAL FOR FUTURE REFERENCE

TABLE OF CONTENTS

Section	Page	Section	Page
Important Safety Instructions	2	Removal & Installation of the Quik Lock Filter	11
Introduction	4	Filter Cleaning	11
Unpacking & Checking Carton Contents	4	Filter Bag	12
Caster/Caster Foot Assembly	5	Cleaning A Dry Filter	13
Wet/Dry Vac Assembly	5	Cleaning A Wet Filter	14
Insert Hose	6	Cleaning and Disinfecting the Wet/Dry Vac	13
Accessory Storage & Assembly	7	Cord Maintenance	14
Operation	8	Cord Storage	14
Polarized Plug	8	Storage	14
Choosing the Correct Filter	9	Casters	14
Emptying the Drum	10	Servicing Double-Insulated Wet/Dry Vacs	14
Blowing Feature	10	Warranty	15
Maintenance	11	Repair Parts	50
Filter	11		

IMPORTANT SAFETY INSTRUCTIONS

Safety is a combination of using common sense, staying alert, and knowing how your Wet/Dry Vacuum cleaner ("Vac") works.

Safety Signal Words

▲ DANGER: Indicates a hazardous situation which, if not avoided, will result in death or serious injury.

▲ WARNING: Indicates a hazardous situation which, if not avoided, could result in death or serious injury.


▲ CAUTION: Indicates a hazardous situation which, if not avoided, could result in minor or moderate injury.

When using your Vac, always follow basic safety precautions including the following:

▲ WARNING

- To reduce the risk of fire, electric shock, or injury:

- Read and understand this manual and all labels on the Wet/Dry Vac before operating.
- Use only as described in this manual.
- Do not leave Vac running while unattended - you may fail to notice important signs indicating abnormal operation such as loss of suction, debris/liquid exiting the exhaust, or abnormal motor noises. Immediately stop using Vac if you notice these signs.
- Do not leave Vac when plugged in. Unplug from outlet when not in use and before servicing.
- Sparks inside the motor can ignite flammable vapors or dust. To reduce the risk of fire or explosion, do not use near combustible liquids, gases, or dusts, such as gasoline or other fuels, lighter fluid, cleaners, oil-based paints, natural gas, coal dust, magnesium dust, grain dust, aluminum dust, or gun powder.
- Do not vacuum anything that is burning or smoking, such as cigarettes, matches, or hot ashes.
- To avoid the risk of ignition of drum debris, empty drum after each use. Combustible materials, such as rags or sawdust containing stain or urethane, can be a source of such overheating.
- Do not vacuum drywall dust, cold fireplace ash, or other fine dusts with standard Filter. These may pass through the Filter and be exhausted back into the air. Use a fine dust Filter instead.
- To reduce the risk of inhaling toxic vapors, do not vacuum or use near toxic or hazardous materials.
- To reduce the risk of electric shock, do not expose to rain or allow liquid to enter motor compartment. Store indoors.
- Do not allow to be used as a toy. Close attention is necessary when used by or near children.
- Do not use with a torn Filter or without the Filter installed except when vacuuming liquids as described in this manual. Dry debris ingested by the impeller may damage the motor or be exhausted into the air.

- This Wet/Dry Vac is not intended for use by persons (including children) with reduced physical, sensory, or mental capabilities, or lack of experience and knowledge, unless they have been given supervision or instruction concerning use of the appliance by a person responsible for their safety.
 - Turn off Vac before unplugging.
 - To reduce the risk of injury from accidental starting, unplug power cord before changing or cleaning Filter.
 - Do not unplug by pulling on cord. To unplug, grasp the plug, not the cord.
 - Do not use with damaged cord, plug or other parts. If your Vac is not working as it should, has missing parts, has been dropped, damaged, left outdoors, or dropped into water, call customer service.
 - Do not pull or carry by cord, use cord as handle, close a door on cord, or pull cord around sharp edges or corners. Do not run Vac over cord. Keep cord away from heated surfaces.
 - Do not handle plug, switch, or the Vac with wet hands.
 - Use only extension cords that are rated for outdoor use. Extension cords in poor condition or too small in wire size can pose fire and shock hazards. To reduce the risk of these hazards, be sure the cord is in good condition and that liquid does not contact the connection. Do not use an extension cord with conductors smaller than 1,3 mm² (16 AWG).
 - This Wet/Dry Vac is double-insulated, eliminating the need for a separate grounding system. Use only identical replacement parts. Read the instructions for Servicing Double-Insulated Wet/Dry Vacs before servicing.
 - Do not put any object into ventilation openings. Do not vacuum with any ventilation openings blocked; keep free of dust, lint, hair or anything that may reduce air flow.
 - Keep hair, loose clothing, fingers, and all parts of body away from openings and moving parts.
 - To reduce the risk of falls, use extra care when cleaning on stairs.
 - To reduce the risk of back injury or falls, do not lift a Vac that is heavy with liquid or debris. Partially empty the Vac by scooping debris or draining liquid to make it comfortable to lift.
 - To reduce the risk of personal injury or damage to Vac, use only WORKSHOP recommended accessories.
 - When using as a blower:
 - Direct air discharge only at work area.
 - Do not direct air at bystanders.
 - Keep children away when blowing.
 - Do not use blower for any job except blowing dirt and debris.
 - Do not use as a sprayer.
 - To reduce the risk of eye injury, wear safety eyewear. The operation of any utility Vac or blower can result in foreign objects being blown into the eyes, which can result in severe eye damage.
-
- ▲ CAUTION:**
- To reduce the risk of hearing damage, wear ear protectors when using for extended time or in a noisy area.
 - For dusty operations, wear dust mask.
 - Static shocks are common when the relative humidity of the air is low. Vacuuming fine debris with your Vac can deposit static charge on the hose or Vac. To reduce the frequency of static shocks in your home or when using this Vac, add moisture to the air with a humidifier.
-
- Observe the following warnings that appear on the motor housing of your Vac:
- 

**DOUBLE INSULATED
GROUNDING NOT REQUIRED.
WHEN SERVICING USE ONLY
IDENTICAL REPLACEMENT PARTS.**
- ▲ WARNING:**

 - **For your own safety, read and understand owner's manual.**
 - **Do not run unattended.**
 - **Do not pick up hot ashes, coals, toxic, flammable or other hazardous materials.**
 - **Do not use around explosive liquids or vapors.**
- ▲ WARNING: To reduce the risk of electric shock - do not expose to rain - store indoors.**

SAVE THIS MANUAL

INTRODUCTION

This Wet/Dry Vac is intended for household use. It may be used for vacuuming wet or dry debris and may be used as a Blower.

Read this Owner's Manual to familiarize yourself with the product features and to understand the specific usage of your new Vac.

UNPACKING & CHECKING CARTON CONTENTS

Remove contents of carton. Check each item against the Carton Contents List. Call 1-888-455-8724 or E-mail us at info@WORKSHOPvac.com if any parts are damaged or missing.

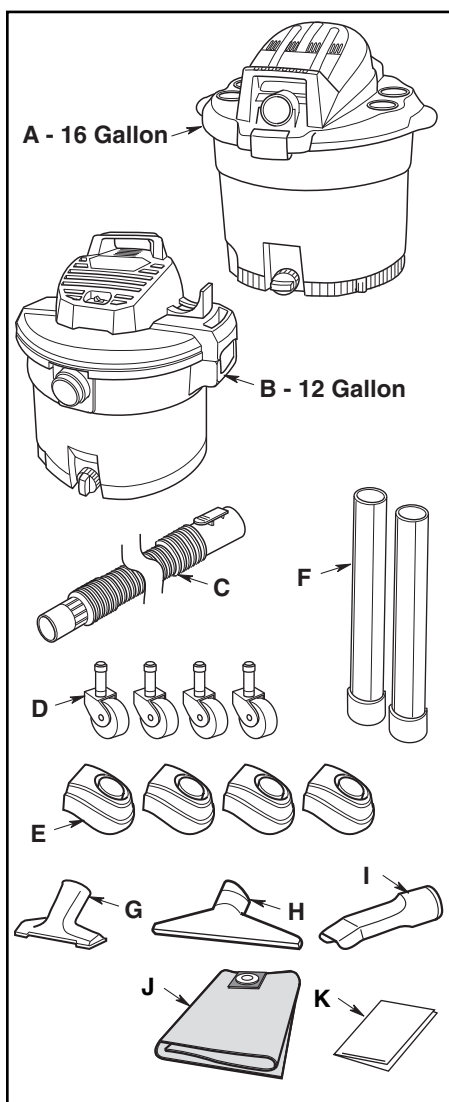
Refer to the assembly sketch for positioning of parts.

Carton Contents List (WS1600VA0)

Key	Description	Qty
A	Wet/Dry Vac (16 Gallon)	1
C	Dual-Flex™ Locking Hose	1
D	Caster	4
E	Caster Foot w/Storage	4
F	Extension Wands	2
G	Utility Nozzle	1
H	Wet Nozzle.....	1
I	Car Nozzle	1
K	Owner's Manual.....	1

Carton Contents List (WS1200VA0)

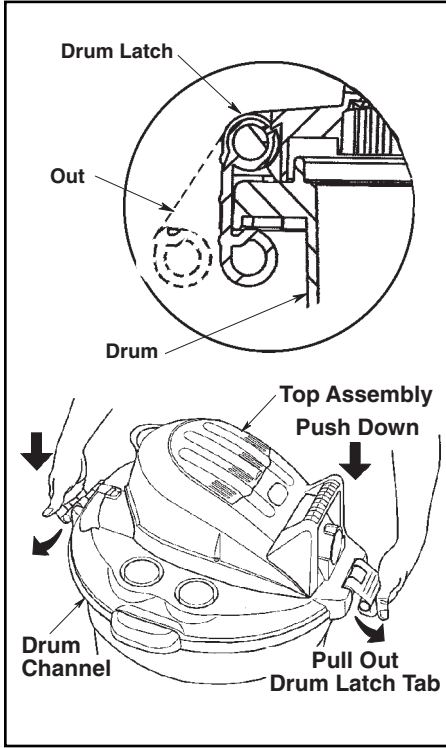
Key	Description	Qty
B	Wet/Dry Vac (12 Gallon)	1
C	Dual-Flex™ Locking Hose	1
D	Caster	4
E	Caster Foot w/Storage	4
F	Extension Wands	2
G	Utility Nozzle	1
H	Wet Nozzle.....	1
I	Car Nozzle	1
J	Dust Collection Bag	1
K	Owner's Manual.....	1



WET/DRY VAC ASSEMBLY (continued)

6. For the **WS1600VA0**: Rotate both Drum Latches down until you hear them snap over Lip of the Drum.

WS1600VA0

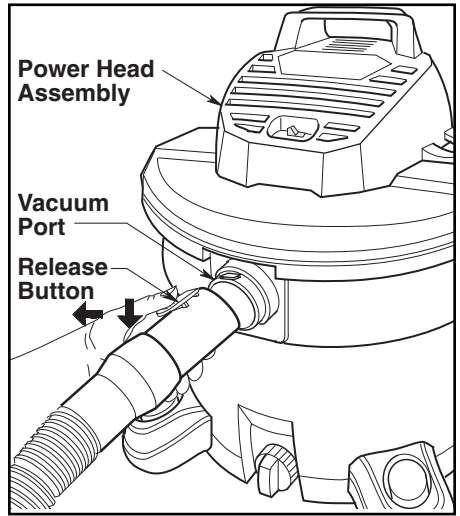


Insert Hose

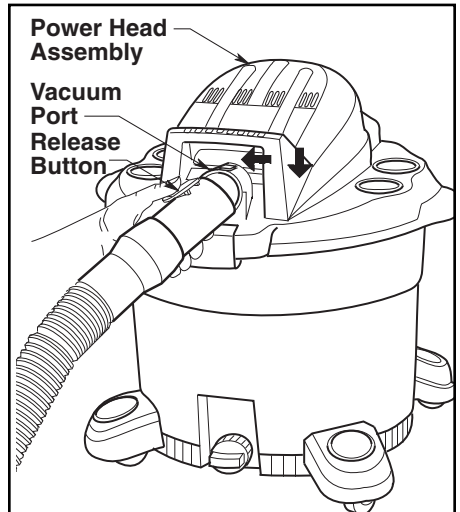
Insert the Release Button end of the Dual-Flex™ Locking Hose into the Vac Inlet of the Vac. The Hose should snap into place.

To Remove the Hose from the Vac, press the Release Button in the Hose Assembly and pull the Hose out of the Vac Inlet, as shown.

WS1200VA0

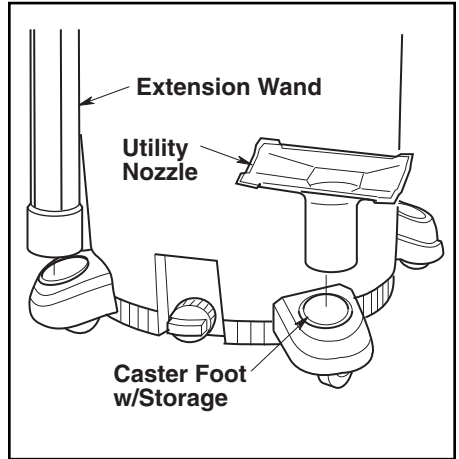


WS1600VA0



ACCESSORY STORAGE & ASSEMBLY

Your WORKSHOP Wet/Dry Vac is designed to provide better Accessory Storage which is built into the Four Caster Feet. You may conveniently store your Accessory Nozzles, Extension Wands and Hose at these locations.



OPERATION

⚠ WARNING: To reduce the risk of fire, explosion, or damage to Vac:

- Do not leave Vac running while unattended - you may fail to notice important signs indicating abnormal operation such as loss of suction, debris/liquid exiting the exhaust, or abnormal motor noises. Immediately stop using Vac if you notice these signs.
- Do not leave Vac plugged in when not in use.
- Do not continue running when float has cut off suction.
- Sparks inside the motor can ignite airborne flammables. Do not operate Vac near flammable liquids or in areas with flammable gases, vapors, or explosive/airborne dust. Flammable liquids, gases, and vapors include: lighter fluid, solvent-type cleaners, oil-based paints, gasoline, alcohol, and aerosol sprays. Explosive dusts include: coal, magnesium, aluminum, grain, and gun powder.
- Do not vacuum up explosive dusts, flammable liquids, or hot ashes.
- Do not leave sawdust or rags with stain or polyurethane residue inside Vac. Empty drum after picking up these potentially self-heating materials.

⚠ WARNING: To reduce the risk of electric shock or injury:

- Do not expose to rain or allow liquid to enter motor compartment. Store indoors.
- Do not handle plug, switch, or Vac with wet hands.
- Unplug Vac before servicing. If your Vac is not working as it should, has missing parts, has been dropped, damaged, left outdoors, or dropped into water, return it to an authorized service center or call customer service.
- When using an extension cord, use only outdoor-rated cords that are in good condition. Do not allow the connection to come into contact with liquid.

⚠ CAUTION: To reduce the risk of hearing damage, wear ear protectors when using the Vac/Blower for extended time or in a noisy area.

Polarized Plug

To reduce the risk of electric shock, this Vac has a Polarized Plug (one blade is wider than the other). This Plug will fit in a Polarized Outlet only one way. If the Plug does not fit fully in the Outlet, reverse the Plug. If it still does not fit, contact a Qualified Electrician to install the proper Outlet. Do not change the Plug in any way.

After you Plug the Power Cord into the Outlet, turn the Unit on by pushing the Switch from position "O" to position "I". The symbols used on the Switch Actuator are international "On & Off" symbols.

 = OFF  = ON

OPERATION (continued)

Choosing the Correct Filter

⚠ WARNING: To reduce the risk of damage to the Vacuum, do not run motor with float in raised position. A cartridge Filter should be used and positioned correctly during all vacuuming operations to avoid debris leaks and possible damage to the vacuum motor.

There are a variety of Filters available for WORKSHOP® Wet/Dry Vacuums. The Filters you choose should depend upon the task you are performing. Not all available Filters are included with each model, but they may be purchased from retailers carrying WORKSHOP Wet/Dry Vacuums or from www.WORKSHOPvac.com.

The available Filters include:

1. Pleated Paper Cartridge Filters

- a. The available Pleated Paper Cartridge Filters include catalog numbers WS21200F (Everyday Dirt), WS22200F (Fine Dust), and WS23200F (HEPA Media).
- b. Each of these Pleated Paper Cartridge Filters are intended for cleaning up dry debris, however, a small amount of liquid can be picked up without damaging the Filter. When maintained properly, small amounts of liquid will not cause damage to the Filter. When picking up larger amounts of liquid, the Pleated Paper Cartridge Filter will become saturated, misting may appear in the vacuum's exhaust, and the Filter may be damaged. After using the Vac to pick up small amounts of liquid, the Pleated Paper Cartridge Filter must be dried to avoid mildew and damage.
- c. If you are using your vacuum to pick up very fine dust, it will be necessary for you to empty the drum and clean the Filter at more frequent intervals to maintain peak vacuum performance.

- d. See "Removal and Installation of the Qwik Lock Filter" section for directions on how to change the Pleated Paper Cartridge Filter.

2. Wet Application Cartridge Filter

- a. The available Wet Application Cartridge Filter is catalog number WS24200F.
- b. The Wet Application Cartridge Filter is intended for cleaning up liquids and wet debris only. It is NOT to be used for any dry debris.
- c. To maintain Filter performance, rinse thoroughly with water after each use.
- d. See "Removal and Installation of the Qwik Lock Filter" section for directions on how to change the Wet Application Cartridge Filter.

3. Dust Collection Bags (WS1200VA0 only)

- a. The available Dust Collection Bag for Wet/Dry Vacuum model WS1200VA0 is catalog number WS32200F.
 - b. The Dust Collection Bag is intended for cleaning up dry debris ONLY.
 - c. If the debris being picked up has any moisture, the bag will absorb the moisture and may deteriorate very quickly, making the bag non-functional.
 - d. If you are using your vacuum to pick up fine dust, the Dust Collection Bag will make cleanup easier.
- Note:** Dust Collection Bag MUST be used in conjunction with a Pleated Paper Cartridge Filter.
- e. Directions for Installation and Removal of Dust Collection Bags are printed on the Bags.

OPERATION (continued)

Emptying the Drum

⚠ WARNING: To reduce the risk of injury from accidental starting, unplug power cord before emptying the drum.

1. The Vac comes equipped with a Drain for easy emptying of liquids. Simply unscrew the Drain Cap and lift the opposite side slightly to empty the Drum.
2. Another option is to remove the Powerhead Assembly. Pull the Flexible Latches outward on each side of the Powerhead Assembly to release from the Drum.
3. While holding the Latches out, lift the Powerhead Assembly up and away from the Drum.
4. Lay Powerhead Assembly upside down on a clean area while emptying drum or changing Filter.
5. Dump the Drum contents into the proper waste disposal container.

⚠ WARNING: To reduce the risk of back injury or falls, do not lift a Vac heavy with liquid or debris. Scoop or drain enough contents out to make the Vac light enough to lift comfortably.

⚠ WARNING: To reduce the risk of electric shock or fire, unplug Vac when not in use. Never leave running while unattended.

Blowing Feature

Your Wet/Dry Vac features "Full Blowing". It can blow sawdust and other debris. Follow the steps below to use your Vac as a Blower.

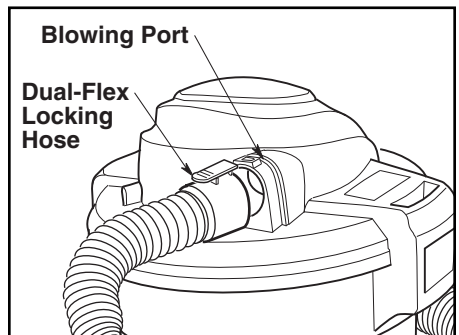
⚠ WARNING: Always wear safety eyewear complying with ANSI Z87.1 (or in Canada, CSA Z94.3) before using as a Blower.

⚠ WARNING: To reduce the risk of injury to bystanders, keep them clear of blowing debris.

⚠ CAUTION: Wear a dust mask if blowing creates dust which might be inhaled.

⚠ CAUTION: To reduce the risk of hearing damage, wear ear protectors when using the Vac/Blower for extended time or in a noisy area.

1. Locate Blowing Port of your Wet/Dry Vac.
2. Insert the tabbed end of Hose into the Blowing Port of the Vac.
3. (Optional) Attach Extension Wand to Swivel End of Hose, then place a Car Nozzle on the Wand.
4. Turn Vac on and you are ready to use your Vac as a Blower.



MAINTENANCE

Filter

WARNING: To reduce the risk of injury from accidental starting, unplug power cord before changing or cleaning Filter.

NOTE: The Filter is made of high quality paper designed to stop very small particles of dust. The Filter can be used for dry pick up or small amounts of liquid. Handle the Filter carefully when removing to clean or installing it. Creases in the Filter pleats may occur from installation but will not affect the performance of the Filter.

Removal and Installation of the Qwik Lock™ Filter

Filter Removal:

1. Hold the Filter Tabs of the Qwik Lock™ Filter in each hand.
2. With one thumb on the Qwik Lock™ Stud, which protrudes through the integrated Filter Plate, lift up on the Filter Tabs while pushing down on the Stud.
3. This action will cause the Filter to release from the Filter Cage. Slide Filter off Cage.

IMPORTANT: To avoid damage to the blower wheel and motor, always reinstall the Filter before using the Vac for dry material pick-up.

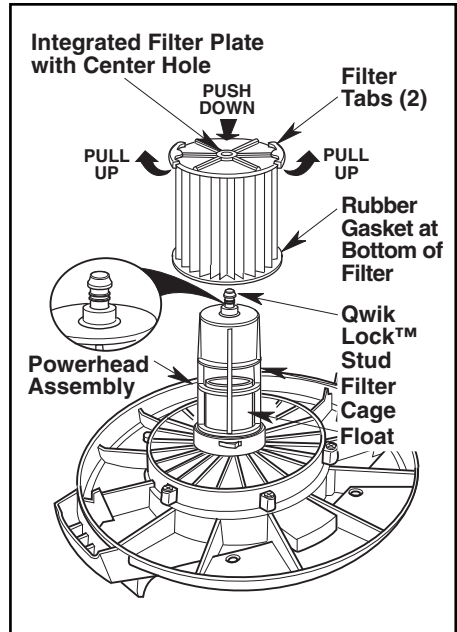
Filter Installation:

1. Carefully slide the Qwik Lock™ Filter over the Filter Cage and press down on the outside edge of the Filter until the Rubber Gasket on the bottom of the Filter seats securely around the base of the Filter Cage and against the Powerhead Assembly.

2. Align the small Center Hole in the top of the Filter over the Qwik Lock™ Stud on the Filter Cage. Press firmly on top of the Filter near the Stud to allow the Filter to snap over the Ball on the end of the Stud. The Filter is now attached.

NOTE: Failure to properly seat the Bottom Gasket could result in debris bypassing the Filter.

▲ WARNING: Do not operate without Filter cage and float, as they prevent liquid from entering the impeller and damaging the motor.



Filter Cleaning

Your Filter should be cleaned often to maintain peak Vac performance.

MAINTENANCE

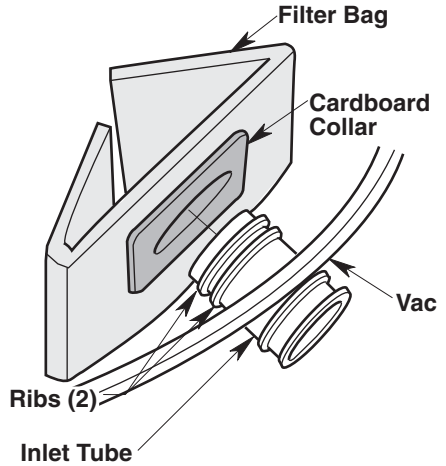
Filter Bag

INSTALLATION INSTRUCTIONS

A Filter Bag may be used in place of or in addition to the Qwik Lock™ Cartridge Filter .

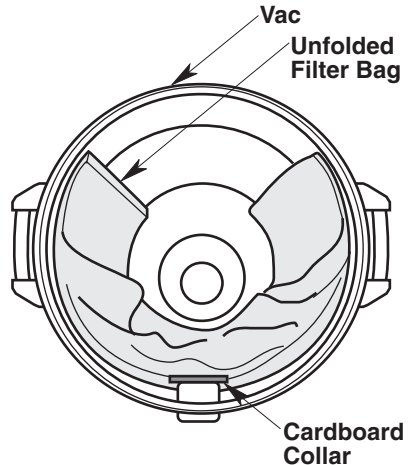
NOTE: When picking up dry debris a Filter Bag or Cartridge Filter must be properly installed.

1. Filter bag to be used to pick up dry debris only.
2. Correct positioning of Cardboard Collar is required to assure proper seal.
3. Locate two Ribs on Inlet Tube, inside Drum.
4. Slide Cardboard Collar onto Inlet Tube and position Cardboard Collar between the two Ribs.
5. With the Cardboard Collar securely installed, unfold and position Filter Bag inside Drum, as shown.



REMOVAL INSTRUCTIONS

1. Slide Cardboard Collar toward center of Vac Drum.
2. Remove Filter Bag from Vac Drum and discard.
3. Install new Filter Bag.



⚠ WARNING: To avoid health hazards from vapors or dust, do not vacuum toxic, carcinogenic or other hazardous materials such as asbestos, arsenic, barium, beryllium, lead, pesticides or other health endangering materials.

⚠ CAUTION: To avoid spilled debris, when picking up heavy or sharp material, monitor bag volume and do not overfill.

MAINTENANCE

Cleaning a Dry Filter

NOTE: For best cleaning results due to accumulated dust, clean the Filter in an open area. Cleaning SHOULD be done outdoors and not in the living quarters.

1. Light cleaning of some dry debris from the Filter can be accomplished without removing the Filter from the Vac. Simply slap your hand on top of the Handle while the Vac is turned off.
2. Remove Filter from Vac. Gently tap the Filter against the inside wall of your Dust Drum and the debris will loosen and fall.
3. For thorough cleaning of a dry Filter with fine dust (no debris) you may run water through it as described under "Cleaning A Wet Filter" Section.

Cleaning a Wet Filter

After Filter is removed, run water through the Filter from a Hose or Spigot. Take care that water pressure from the Hose is not strong enough to damage Filter.

IMPORTANT: After cleaning, check the Filter for tears or small holes. Do not use a Filter with holes or tears in it. Even a small hole can allow dust to come out of your Vac. Replace it immediately.

Allow the Filter to dry before reinstalling and storing the Vac or picking up dry debris.

Cleaning and Disinfecting the Wet/Dry Vac

To keep your Wet/Dry Vac looking its best, clean the outside with a cloth dampened with warm water and mild soap.

To clean the Drum:

1. Dump debris out.
2. Wash Drum thoroughly with warm water and mild soap.
3. Wipe out with dry cloth.

Before prolonged storage or as needed (i.e.; waste water pick up) the drum should be disinfected.

To disinfect the Drum:

1. Pour 1 gallon (4 L) of water and 1 teaspoon (5 mL) chlorine bleach into the Drum.
2. Let solution stand for 20 minutes, carefully swishing every few minutes, making sure to wet all inside surfaces of the Drum.
3. Empty Drum after 20 minutes. Rinse with water until bleach smell is gone. Allow Drum to dry completely before sealing the Motor on the Drum.

MAINTENANCE (continued)

Cord Maintenance

When vacuuming is complete, unplug the Cord and wrap it around the Powerhead Assembly. If the Power Cord is damaged, it must be replaced by the manufacturer to reduce the risk of accident.

Cord Storage

Simply, wrap the Power Cord around the Powerhead Assembly and snap the connector on the plug to a wrap of the Cord.

Storage

Before storing your Vac, the Drum should be emptied and cleaned. The Cord should be wrapped around the unit and the Hose should be stored as described in this manual. Accessories should be kept in the same area as the Vac so they can be readily available. The Vac should be stored indoors.


Casters

If your Casters are noisy, you may put a drop of oil on the Roller Shaft to make them quieter.

▲ WARNING: To assure product SAFETY and RELIABILITY, any other maintenance, repairs and adjustments should be performed by Authorized Service Centers, always using WORKSHOP replacement parts.

▲ WARNING

SERVICING OF DOUBLE-INSULATED WET/DRY VAC

In a double-insulated Wet/Dry Vac, two systems of insulation are provided instead of grounding. No grounding means is provided on a double-insulated appliance, nor should a means for grounding be added. Servicing a double-insulated Wet/Dry Vac requires extreme care and knowledge of the system, and should be done only by qualified service personnel. Replacement parts for a double-insulated Wet/Dry Vac must be identical to the parts they replace. Your double-insulated Wet/Dry Vac is marked with the words "DOUBLE INSULATED" and the symbol  (square within a square) may also be marked on the appliance.

To reduce the risk of injury from electrical shock, unplug power cord before servicing the electrical parts of the Wet/Dry Vac.

▲ WARNING: To reduce the risk of injury from electrical shock, unplug power cord before servicing the electrical parts of the Wet/Dry Vac.

▲ WARNING: All disassembly and repairs should be performed by qualified personnel.

WORKSHOP® LIMITED WARRANTY

This limited warranty is offered by Emerson Tool Company, a division of Emerson Electric Co., located at the address below (“ETC” or “we” or “our” or “us”) and applies to our WORKSHOP-branded Wet/Dry Vacuums (collectively, the “WORKSHOP® Product”).

If you have any questions or need assistance regarding the warranty of your WORKSHOP Product, please contact ETC’s WORKSHOP Product Customer Service Department at the toll free number or at the address provided below.

WORKSHOP® Limited Warranty

ETC, located at 8100 W Florissant Ave, St. Louis, MO 63136 provides the following limited warranty to the original purchaser only (“you” or “your”) subject to the exclusions described below: Your WORKSHOP Product will be free from defects in material and workmanship when used under normal conditions in accordance with the terms of the Owner’s Manual provided to you with the WORKSHOP Product for a period of five (5) years beginning on the original date of purchase (the “Warranty Period”). This limited warranty terminates if the original purchaser transfers the WORKSHOP Product to any other person or entity.

What is Not Covered - Warranty Exclusions

This limited warranty does not extend to and expressly excludes:

- Normal wear and tear and/or replacement attachments or accessories, including, without limitation, power cords, hoses, filters, and other attachments or accessories that may be offered for sale by us for use with the WORKSHOP Product.
- Damage or burnout of the WORKSHOP Product motor resulting from failure to clear a blockage occurring during the normal course of use.
- Loss or damage to the WORKSHOP Product resulting from conditions beyond ETC’s control including without limitation, misuse, accident, abuse, neglect, negligence (other than ETC’s), overuse beyond intended capacity as set forth in the Owner’s Manual, or modifications or alterations made by anyone other than ETC.
- Loss or damage to the WORKSHOP Product resulting from failure to use the WORKSHOP Product in accordance with the written instructions, guidelines, and terms and conditions set forth in the Owner’s Manual.

Limited Warranty Notification and Claim Procedures

If you discover within the Warranty Period applicable to you that your WORKSHOP Product has a defect that you believe is covered by this limited warranty, you must contact ETC’s WORKSHOP Product Customer Service Department at (888) 455-8724 between the hours of 8:30 a.m. and 4:30 p.m. Central Time. Alternatively, you may contact ETC’s WORKSHOP Product Customer Service Department at the email address listed in your Owner’s Manual or on the WORKSHOP Product page of the ETC website.

In order for your warranty claim to be processed as quickly as possible, we suggest that you complete the “Registration Card” made available to you on the WORKSHOP Product page of the ETC website at www.WORKSHOPvac.com. If you do not choose to register your WORKSHOP Product, in order to make a warranty claim, you will need to provide us with a copy of your sales receipt or other proof of purchase showing the purchase date to confirm that your claim is within the Warranty Period and that you are the original purchaser.

WORKSHOP® LIMITED WARRANTY

What We Will Do to Correct Problems

After you have contacted ETC's WORKSHOP Product Customer Service Department pursuant to the above procedures, ETC will initiate warranty proceedings, including a physical inspection, subject to the exclusions and the Warranty Period stated herein, to determine whether to repair or replace the WORKSHOP Product or provide you with a refund.

The decision to repair or replace your WORKSHOP Product or to provide a refund is at our sole discretion. Repair or replacements provided to you by ETC are at no cost to you if covered under this limited warranty. Coverage under this limited warranty is conditioned at all times upon the original purchaser's compliance with the above limited warranty notification and claim procedures.

If your claim is covered under this limited warranty, we will, at our sole option, (a) repair or replace the defective portion of your WORKSHOP Product or (b) replace your entire WORKSHOP Product. If we are unable to provide you with a suitable repaired or replacement WORKSHOP Product, we will provide you with a refund equal to the purchase price of your WORKSHOP Product or a credit to be used toward the purchase of a new WORKSHOP Product.

No Other Express Warranty Applies

THE LIMITED WARRANTIES PROVIDED ABOVE ARE THE SOLE AND EXCLUSIVE WARRANTIES PROVIDED BY ETC TO THE ORIGINAL PURCHASER OF THE WORKSHOP PRODUCT, AND ARE IN LIEU OF ALL OTHER WARRANTIES, WRITTEN OR ORAL, EXPRESS OR IMPLIED, WHETHER ARISING BY OPERATION OF LAW OR OTHERWISE, INCLUDING, WITHOUT LIMITATION, WARRANTIES OF MERCHANTABILITY OR FITNESS FOR A PARTICULAR PURPOSE, WHETHER OR NOT THE PURPOSE HAS BEEN DISCLOSED AND WHETHER OR NOT THE WORKSHOP PRODUCT HAS BEEN SPECIFICALLY DESIGNED OR MANUFACTURED FOR YOUR USE OR PURPOSE. DISCLAIMERS OF IMPLIED WARRANTIES, INCLUDING WITHOUT LIMITATION, IMPLIED WARRANTIES OF MERCHANTABILITY AND FITNESS FOR A PARTICULAR PURPOSE, SHALL NOT TAKE EFFECT UNTIL THE END OF THE WARRANTY PERIOD. No employee, agent, dealer, or other person is authorized to alter this limited warranty or make any other warranty on behalf of ETC. The terms of this limited warranty shall not be modified by ETC, the original owner, or their respective successors or assigns.

Limitation of Liability

TO THE EXTENT PERMITTED BY LAW, IN NO EVENT SHALL ETC BE LIABLE FOR ANY INCIDENTAL, SPECIAL, INDIRECT, OR CONSEQUENTIAL DAMAGES, INCLUDING ANY ECONOMIC LOSS, WHETHER RESULTING FROM NONPERFORMANCE, USE, MISUSE OR INABILITY TO USE THE WORKSHOP PRODUCT OR FOR THE NEGLIGENCE OF ETC. ETC SHALL NOT BE LIABLE FOR DAMAGES CAUSED BY DELAY IN PERFORMANCE AND IN NO EVENT, REGARDLESS OF THE FORM OF THE CLAIM OR CAUSE OF ACTION (WHETHER BASED IN CONTRACT, INFRINGEMENT, NEGLIGENCE, STRICT LIABILITY, OTHER TORT OR OTHERWISE), SHALL ETC'S LIABILITY TO YOU OR ANY INDIVIDUAL USING THE WORKSHOP PRODUCT EXCEED THE PRICE PAID BY THE ORIGINAL OWNER FOR THE WORKSHOP PRODUCT. The term "consequential damages" shall include, but not be limited to, loss of anticipated profits, business interruption, loss of use or revenue, cost of capital or loss or damage to property or equipment.

Some states do not allow the exclusion or limitation of incidental or consequential damages, so the above limitation may not apply to you.

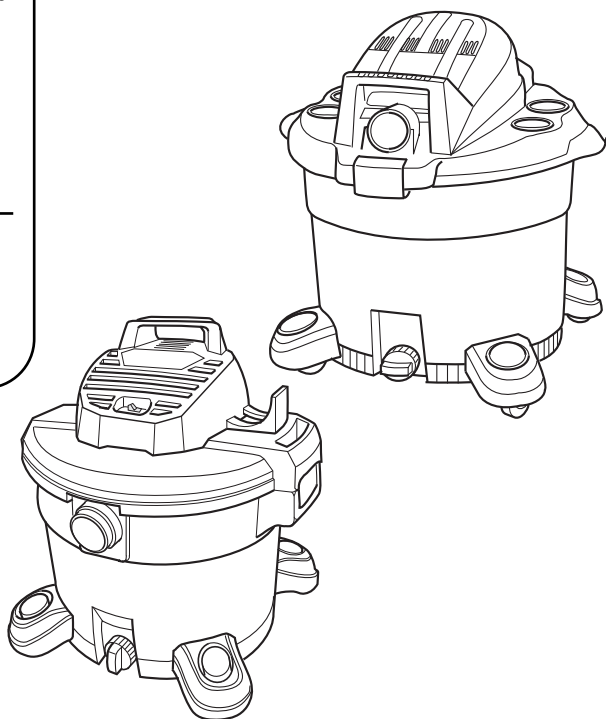
This limited warranty gives you specific legal rights, and you may also have other rights which vary from State to State.

WORKSHOP[®] MD

WET/DRY VACS

MANUAL DEL USUARIO

- Aspiradora para seco/mojado
- 12 galones EE.UU./45 litros
- WS1200VA0
- 16 galones EE.UU./60 litros
- WS1600VA0



¿PREGUNTAS O COMENTARIOS? COMUNÍQUESE CON NOSOTROS EN:
1-888-455-8724 desde los EE.UU. y Canadá
www.WORKSHOPvacs.com



ADVERTENCIA:

Para reducir el riesgo de lesiones, el usuario debe leer y entender el manual del usuario antes de utilizar este producto.

• Français – page 33

GUARDE ESTE MANUAL PARA REFERENCIA FUTURA

INDICE

Sección	Página	Sección	Página
Instrucciones de seguridad importantes	18	Limpieza del filtro	27
Introducción	20	Bolsa de filtro	28
Desempaquetado y comprobación del contenido de la caja de cartón	20	Limpieza de un filtro seco	29
Ensamblaje de las ruedecillas y los pies de ruedecilla	21	Limpieza de un filtro mojado	29
Ensamblaje de la aspiradora para mojado/seco	21	Limpieza y desinfección de la aspiradora para mojado/seco	29
Almacenamiento y ensamblaje de accesorios	23	Mantenimiento del cordón	30
Funcionamiento	24	Almacenamiento del cordón	30
Enchufe polarizado	24	Almacenamiento	30
Selección del filtro correcto	25	Ruedecillas	30
Vaciado del tambor	26	Servicio de ajustes y reparaciones de una aspiradora para mojado/seco con aislamiento doble	30
Dispositivo de soplado	26	Garantía	31
Mantenimiento	27	Piezas de repuesto	50
Filtro	27		
Remoción e instalación del filtro Qwik Lock	27		

INSTRUCCIONES DE SEGURIDAD IMPORTANTES

La seguridad es una combinación de sentido común, permanecer alerta y saber cómo funciona la aspiradora para mojado/seco (“la aspiradora”).

Palabras de señal de seguridad

▲ PELIGRO: indica una situación peligrosa que, si no se evita, causará la muerte o lesiones graves.

▲ ADVERTENCIA: indica una situación peligrosa que, si no se evita, podría causar la muerte o lesiones graves.

▲ PRECAUCIÓN: indica una situación peligrosa que, si no se evita, pudiera causar lesiones leves o moderadas

Cuando utilice la aspiradora, siga siempre las precauciones básicas de seguridad, incluyendo las siguientes:

▲ ADVERTENCIA

– Para reducir el riesgo de incendio, sacudidas eléctricas o lesiones:

- Lea y entienda este manual del usuario y todas las etiquetas que están colocadas en la aspiradora para mojado/seco antes de utilizarla.
- Utilice la aspiradora únicamente de la manera que se describe en este manual.
- No deje la aspiradora en marcha mientras esté desatendida. Usted podría no notar señales importantes que indiquen un funcionamiento anormal, tal como pérdida de succión, residuos o líquido que salen por el escape o ruidos anormales del motor. Deje de usar la aspiradora inmediatamente si observa estas señales.
- No abandone la aspiradora cuando esté enchufada. Desenchúfela del tomacorriente cuando no la esté utilizando y antes de realizar servicio de revisión.
- Las chispas que se producen en el interior del motor pueden incendiar los vapores inflamables o el polvo.

Para reducir el riesgo de incendio o explosión: No use la aspiradora cerca de líquidos, gases, o polvos combustibles como gasolina u otros combustibles, líquido encendedor, limpiadores, pinturas a base de aceite, gas natural, polvo de carbón, polvo de magnesio, polvo de aluminio, polvo de granos de cereal o pólvera.

- No recoja con la aspiradora nada que esté ardiendo o humeando, como cigarrillos, fósforos o cenizas calientes.
- Para evitar el riesgo de ignición de los residuos contenidos en el tambor, vacíe el tambor después de cada uso. Los materiales combustibles, tales como trapos o aserrín que contengan tinte o uretano, pueden ser causas de dicho sobrecalentamiento.
- No recoja con la aspiradora polvo de panel de yeso, ceniza fría de chimenea u otro polvo fino con un filtro estándar. Estos materiales pueden pasar por el filtro y ser expulsados de vuelta al aire. Utilice un filtro para polvo fino en lugar de un filtro estándar.
- Para reducir el riesgo de inhalar vapores tóxicos, no recoja con la aspiradora materiales tóxicos o peligrosos ni la use cerca de dichos materiales.
- Para reducir el riesgo de descargas eléctricas, no exponga la aspiradora a la lluvia ni deje que entren líquidos en el compartimiento del motor. Guarde la aspiradora en un lugar interior.
- No permita que la aspiradora se utilice como un juguete. Se necesita prestar máxima atención cuando sea utilizada por niños o cerca de éstos.
- No use la aspiradora con un filtro desgarrado o sin tener el filtro instalado, excepto cuando recoja con ella líquidos de la manera que se describe en este manual. Los residuos secos absorbidos por el impulsor podrían dañar el motor o ser expulsados de vuelta al aire.
- Esta aspiradora mojado/seco no se destina para utilizarse por personas (incluyendo niños) cuyas capacidades físicas, sensoriales o mentales sean diferentes o estén reducidas, o carezcan de

experiencia o conocimiento, a menos que dichas personas reciban una supervisión o capacitación para el funcionamiento del aparato por una persona responsable de su seguridad.

- Apague la aspiradora antes de desenchufarla.
- Para reducir el riesgo de lesiones debidas a un arranque accidental, desenchufe el cordón de energía antes de cambiar o limpiar el filtro.
- No desenchufe la aspiradora tirando del cordón. Para desenchufarla, agarre el enchufe y no el cordón.
- No use la aspiradora con el cordón dañado, el enchufe dañado u otras piezas dañadas. Si la aspiradora no funciona como debe, le faltan piezas, se ha caído, ha sido dañada, se ha dejado a la intemperie o se ha caído al agua, llame a servicio al cliente.
- No tire de la aspiradora usando el cordón ni la lleve por el cordón, ni use el cordón como asa, ni cierre una puerta sobre el cordón, ni tire del cordón alrededor de bordes o esquinas afilados. No pase la aspiradora en marcha sobre el cordón. Mantenga el cordón alejado de las superficies calientes.
- No maneje el enchufe, el interruptor o la aspiradora con las manos mojadas.
- Utilice únicamente cordones de extensión que tengan capacidad nominal para uso a la intemperie. Los cordones de extensión que estén en malas condiciones o tengan un tamaño de alambre demasiado pequeño pueden crear peligros de incendio y descargas eléctricas. Para reducir el riesgo de estos peligros, asegúrese de que el cordón esté en buenas condiciones y que el líquido no entre en contacto con la conexión. No utilice un cordón de extensión que tenga conductores con un diámetro menor al calibre 1,3 mm² (16 AWG).
- Esta aspiradora tiene aislamiento doble, lo cual elimina la necesidad de un sistema independiente de conexión a tierra. Utilice únicamente piezas de repuesto idénticas. Lea las instrucciones de servicio de revisión de las aspiradoras para mojado/seco con aislamiento doble.
- No ponga ningún objeto en las aberturas de ventilación. No recoja nada con la aspiradora cuando cualquiera de las aberturas de ventilación esté bloqueada; mantenga dichas aberturas libres de polvo, pelusa, pelo o cualquier cosa que pueda reducir el flujo de aire.
- Mantenga el pelo, la ropa holgada, los dedos y todas las partes del cuerpo alejados de las aberturas y de las piezas móviles.
- Para reducir el riesgo de caídas, tenga cuidado adicional al limpiar en escaleras.
- Para reducir el riesgo de lesiones de espalda o caídas, no levante una aspiradora que pese mucho debido a que contiene líquido o residuos. Vacíe parcialmente la aspiradora sacando los residuos o drenando el líquido para hacer que sea cómodo levantarla.

- Para reducir el riesgo de lesiones corporales o daños a la aspiradora, utilice únicamente accesorios recomendados por WORKSHOP.
- Cuando utilice la aspiradora como soplador :
 - Dirija la descarga de aire solamente hacia el área de trabajo.
 - No dirija el aire hacia las personas que estén presentes.
 - Mantenga alejados a los niños durante la operación de soplado.
 - No utilice el soplador para trabajos que no sean soplar suciedad y residuos.
 - No use la aspiradora como rociador.
- Para reducir el riesgo de lesiones en los ojos, use protección ocular de seguridad. La utilización de cualquier aspiradora utilitaria o soplador utilitario puede hacer que se soplen objetos extraños hacia los ojos, lo cual puede causar daños graves en los ojos.

▲ PRECAUCIÓN:

- Para reducir el riesgo de daños a la audición, use protectores de oídos cuando utilice la aspiradora durante muchas horas seguidas o cuando la emplee en un área ruidosa.
- Para operaciones que generan polvo, use una máscara antipolvo.
- Las descargas de estática son comunes cuando la humedad relativa del aire es baja. Si recoge residuos finos con la aspiradora, se puede depositar carga estática en la manguera o en la aspiradora. El mejor remedio para reducir la frecuencia de las descargas de estática en su casa o cuando use esta aspiradora es añadir humedad al aire con un humidificador.

Siga las siguientes advertencias que aparecen en la caja del motor de la aspiradora.



AISLAMIENTO DOBLE. NO SE REQUIERE CONEXION A TIERRA.

CUANDO HAGA SERVICIO DE REVISIÓN DE LA ASPIRADORA, UTILICE ÚNICAMENTE PIEZAS DE REPUESTO IDÉNTICAS.

▲ ADVERTENCIA:

- **Para su propia seguridad, lea y entienda el manual del operador.**
- **No tenga en marcha la aspiradora desatendida.**
- **No recoja cenizas calientes, carbón caliente, materiales tóxicos ni inflamables ni otros materiales peligrosos.**
- **No use la aspiradora alrededor de líquidos**

▲ ADVERTENCIA: Para reducir el riesgo de sacudidas eléctricas, no exponga la aspiradora a la lluvia y guárdela en interiores.

GUARDE ESTE MANUAL

INTRODUCCIÓN

Esta aspiradora para mojado/seco está diseñada para uso doméstico solamente. Se puede utilizar para la recogida ligera de medios mojados o secos y también puede utilizarse como soplador.

Familiarícese con las siguientes características del producto y lea todo el manual del usuario para obtener instrucciones sobre la utilización específica de su nueva aspiradora para mojado/seco.

DESEMPAQUETADO Y COMPROBACIÓN DEL CONTENIDO DE LA CAJA DE CARTÓN

Saque todo el contenido de la caja de cartón. Asegúrese de que no falte ningún artículo utilizando la lista del contenido de la caja. Llame al 1-888-455-8724 o envíenos un correo electrónico a info@WORKSHOPvac.com si alguna pieza está dañada o falta.

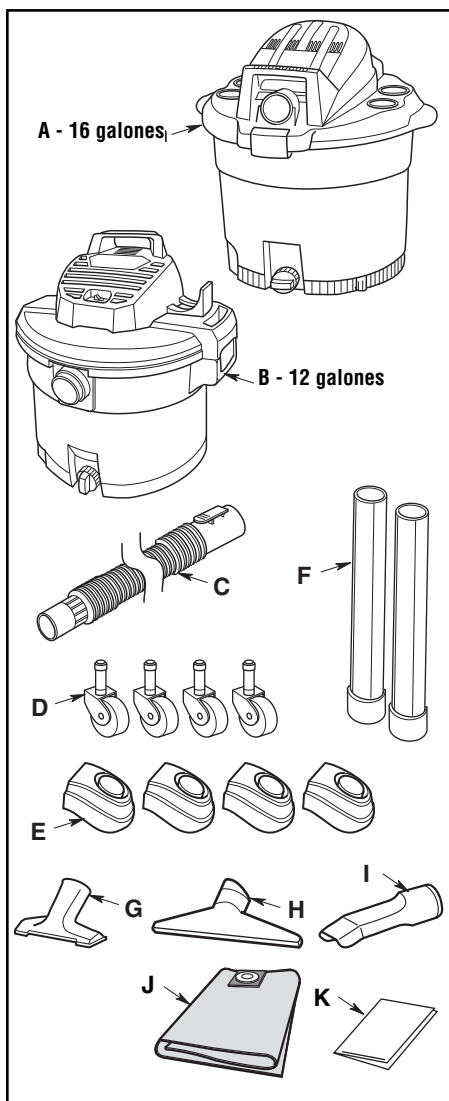
Consulte el dibujo de ensamblaje para averiguar el posicionamiento de las piezas.

Lista del contenido de la caja de cartón (WS1600VA0)

Clave	Descripción	Cant.
A	Aspiradora para mojado/seco (16 galones)	.1
C	Manguera de fijación Dual-Flex™	1
D	Ruedecilla	4
E	Pies de ruedecilla con área de almacenamiento	4
F	Tubos extensores	2
G	Boquilla de uso general	1
H	Boquilla para mojado	1
I	Boquilla para auto	1
K	Manual del usuario	1

Lista del contenido de la caja de cartón (WS1200VA0)

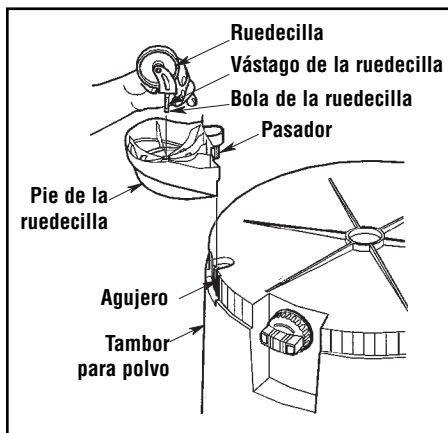
Clave	Descripción	Cant.
B	Aspiradora para mojado/seco (12 galones)	.1
C	Manguera de fijación Dual-Flex™	1
D	Ruedecilla	4
E	Pies de ruedecilla con área de almacenamiento	4
F	Tubos extensores	2
G	Boquilla de uso general	1
H	Boquilla para mojado	1
I	Boquilla para auto	1
J	Bolsa de recolección de polvo	1
K	Manual del usuario	1



ENSAMBLAJE DE LAS RUEDECILLAS Y LOS PIES DE RUEDECILLA

Con el ensamblaje del cabezal del motor retirado del tambor y el tambor en posición invertida sobre el piso:

1. Introduzca los 4 pies de ruedecilla en la parte inferior del tambor, de la manera que se muestra en la ilustración, en las 4 ubicaciones que están cerca de la tapa del drenaje.
2. Empuje firmemente sobre el pie de la ruedecilla hasta que dicho pie esté al ras con la parte inferior del tambor para polvo.
3. Introduzca el vástago de la ruedecilla en el receptáculo del pie de la ruedecilla, de la manera que se muestra en la ilustración (4 lugares).
4. Con un ligero movimiento de giro, empuje sobre la ruedecilla hasta que la bola del vástago de la ruedecilla esté insertada completamente en el receptáculo y la ruedecilla pivotará fácilmente cuando el posicionamiento sea correcto.

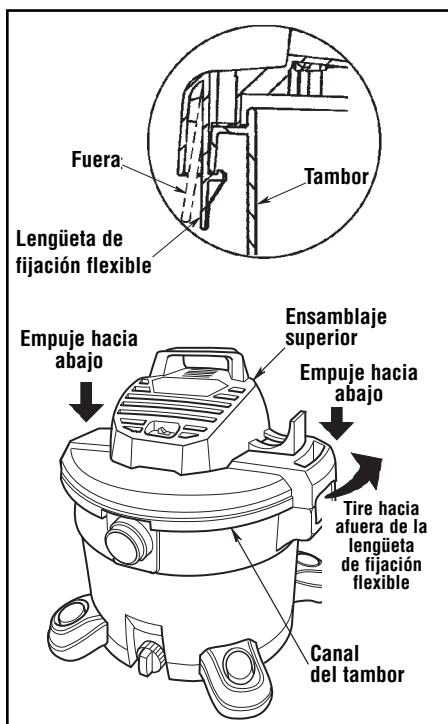


5. Ponga el tambor en posición al derecho.

ENSAMBLAJE DE LA ASPIRADORA PARA MOJADO/SECO

1. Alinee la parte delantera del ensamblaje del cabezal del motor con la entrada de la aspiradora ubicada en la parte delantera del tambor, de la manera que se muestra en la ilustración.
2. Coloque el ensamblaje del cabezal del motor sobre el tambor.
3. Asegúrese de que el ensamblaje del cabezal del motor cubra completamente la parte superior del tambor para que no se produzcan fugas.
4. Empuje hacia abajo sobre la parte de arriba de las áreas de los pestillos del tambor para hacer que dichos pestillos se enganchen en el canal del tambor.
5. Asegúrese de que las lengüetas de fijación estén acopladas a presión en la posición correcta para impedir que el ensamblaje del cabezal del motor se separe (vea la imagen detallada.)

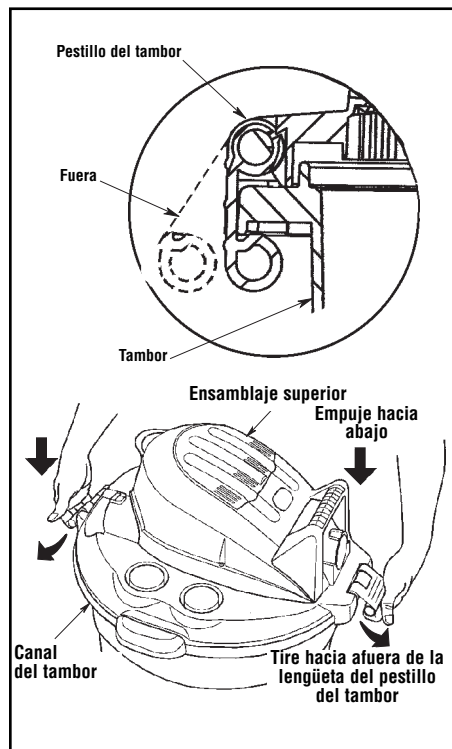
WS1200VA0



ENSAMBLAJE DE LA ASPIRADORA PARA MOJADO/SECO (cont.)

6. Para la **WS1600VA0**, rote ambos pestillos del tambor hacia abajo hasta que oiga que se acoplan a presión sobre el reborde del tambor.

WS1600VA0

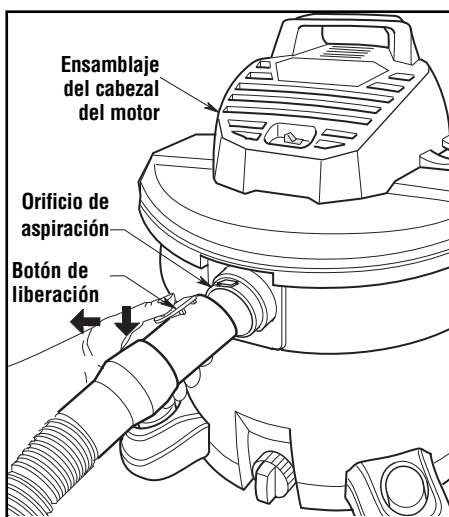


Introduzca la manguera

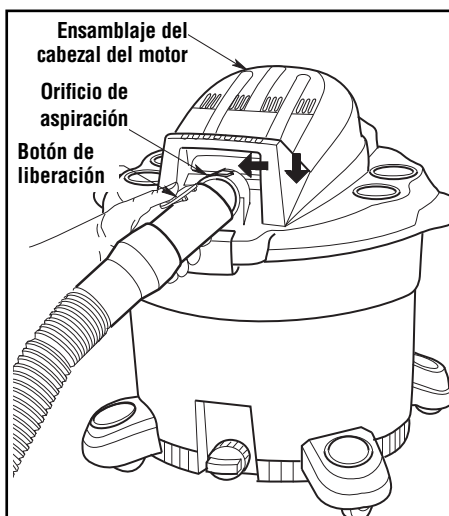
Inserte en la entrada de la aspiradora el extremo de la manguera fijable Dual-Flex™ que tiene el botón de liberación. La manguera debe acoplarse a presión en su sitio.

Para quitar la manguera de la aspiradora, oprima el botón de liberación que está en el ensamblaje de la manguera y tire de la manguera hasta sacarla de la entrada de la aspiradora, de la manera que se muestra en la ilustración.

WS1200VA0

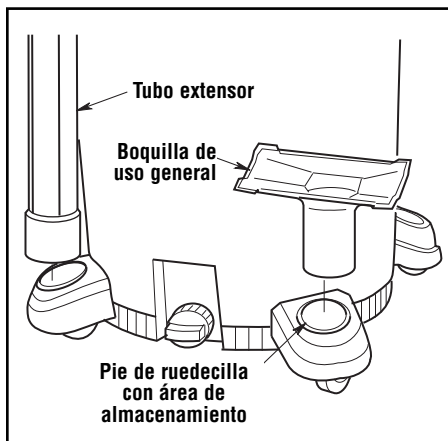


WS1600VA0



ALMACENAMIENTO Y ENSAMBLAJE DE ACCESORIOS

Su aspiradora para seco/mojado WORKSHOP está diseñada para brindar un mejor almacenamiento de accesorios, el cual está incorporado en los cuatro pies de ruedecilla. Usted podrá almacenar convenientemente las boquillas accesorias, los tubos extensores y la manguera en estas ubicaciones.



FUNCIONAMIENTO

▲ ADVERTENCIA: Para reducir el riesgo de incendio, explosión o daños a la aspiradora:

- No deje la aspiradora en marcha mientras esté desatendida. Usted podría no notar señales importantes que indiquen un funcionamiento anormal, tal como pérdida de succión, residuos o líquido que salen por el escape o ruidos anormales del motor. Deje de usar la aspiradora inmediatamente si observa estas señales.
- No deje la aspiradora enchufada cuando no se esté utilizando.
- No continúe usando la aspiradora cuando el flotador haya cortado la succión.
- Las chispas generadas dentro del motor pueden incendiar los materiales inflamables suspendidos en el aire. No utilice la aspiradora cerca de líquidos inflamables ni en áreas con gases o vapores inflamables o polvo explosivo/suspendido en el aire. Los líquidos inflamables, gases inflamables y los vapores inflamables incluyen: líquido encendedor, limpiadores tipo solvente, pinturas a base de aceite, gasolina, alcohol y rociadores tipo aerosol. Los polvos explosivos incluyen: carbón, magnesio, aluminio, grano de cereal y pólvora.
- No recoja con la aspiradora polvos explosivos, líquidos inflamables ni cenizas calientes.
- No deje aserrín ni trapos con residuos de tinte o de poliuretano dentro de la aspiradora. Vacíe el tambor después de recoger estos materiales potencialmente autocalentables.

▲ ADVERTENCIA: Para reducir el riesgo de descargas eléctricas o lesiones:

- No exponga la aspiradora a la lluvia ni deje que entre líquido en el compartimiento del motor. Almacene la aspiradora en un lugar interior.
- No maneje el enchufe, el interruptor o la aspiradora con las manos mojadas.
- Desenchufe la aspiradora antes de hacerle servicio de ajustes y reparaciones. Si la aspiradora no está funcionando como debería, le faltan piezas, se ha caído, ha sido dañada, se ha dejado a la intemperie o se ha caído al agua, devuélvala a un centro de servicio autorizado o llame a servicio al cliente.

▲ PRECAUCIÓN: Para reducir el riesgo de daños a la audición, use protectores de oídos cuando utilice la aspiradora/soplador durante un tiempo prolongado o en un área ruidosa.

Enchufe polarizado

Para reducir el riesgo de sacudidas eléctricas, esta aspiradora tiene un enchufe polarizado (un terminal es más ancho que el otro). Este enchufe entrará en un tomacorriente polarizado solamente de una manera. Si el enchufe no entra por completo en el tomacorriente, déle la vuelta. Si sigue sin entrar, póngase en contacto con un electricista competente para instalar el tomacorriente adecuado. No haga ningún tipo de cambio en el enchufe.

Después de enchufar el cordón de energía en el tomacorriente, encienda la unidad empujando el interruptor de la posición "O" a la posición "I". Los símbolos utilizados en el accionador del interruptor son los símbolos internacionales de "encendido y apagado". "O" es el símbolo de "APAGADO" y "I" es el símbolo de "ENCENDIDO".

 = APAGADO | = ENCENDIDO

FUNCIONAMIENTO (continuación)

Selección del filtro correcto

⚠ ADVERTENCIA: Para reducir el riesgo de daños a la aspiradora, no haga funcionar el motor con el flotador en la posición subida. Debe haber presente un filtro de cartucho y éste se debe encontrar en la posición correcta durante todas las operaciones de aspiración, para evitar las fugas de residuos y posibles daños al motor de la aspiradora.

Hay una variedad de filtros disponibles para las aspiradoras para seco/mojado WORKSHOP®. Los filtros que usted escoja deben depender de la tarea que esté realizando. No todos los filtros disponibles se incluyen con cada modelo, pero es posible comprarlos según sea necesario a través de los establecimientos minoristas que vendan aspiradoras para seco/mojado WORKSHOP o a través de www.WORKSHOPvacs.com.

Los filtros disponibles incluyen:

1. Filtros de cartucho de papel plisado

- Los filtros de cartucho de papel plisado disponibles incluyen los números de catálogo WS21200F (suciedad diaria), WS22200F (polvo fino) y WS23200F (medios HEPA).
- Cada uno de estos filtros de cartucho de papel plisado está diseñado para recoger residuos secos; sin embargo, se puede recoger una pequeña cantidad de líquido sin dañar el filtro. Cuando el filtro se mantenga apropiadamente, las cantidades pequeñas de líquido no le causarán daños. Cuando recoja cantidades más grandes de líquido, el filtro de cartucho de papel plisado se saturará, es posible que aparezca niebla en el escape de la aspiradora y puede que el filtro resulte dañado. Después de utilizar la aspiradora para recoger pequeñas cantidades de líquido, se debe secar el filtro de cartucho de papel plisado para evitar que se forme moho y que se produzcan daños.
- Si está utilizando la aspiradora para recoger polvo muy fino, será necesario que vacíe el tambor y limpie el filtro a intervalos más frecuentes para mantener el máximo rendimiento de la aspiradora.

- Consulte la sección “Remoción e instalación del filtro Qwik Lock” para obtener instrucciones sobre cómo cambiar el filtro de cartucho de papel plisado.

2. Filtro de cartucho para aplicaciones mojadas

- El filtro de cartucho para aplicaciones mojadas disponible tiene el número de catálogo WS24200F.
- Este filtro de cartucho para aplicaciones mojadas está diseñado para recoger líquidos y residuos mojados solamente. NO está diseñado para utilizarse en la recogida de residuos secos.
- Para mantener el rendimiento del filtro, enjuáguelo a fondo con agua después de cada uso.
- Consulte la sección “Remoción e instalación del filtro Qwik Lock” para obtener instrucciones sobre cómo cambiar el filtro de cartucho para aplicaciones mojadas.

3. Bolsas de recolección de polvo (WS1200VAO solamente)

- La bolsa de recolección de polvo disponible para la aspiradora para seco/mojado modelo WS1200VAO tiene el número de catálogo WS32200F.
- La bolsa de recolección de polvo está diseñada para recoger residuos secos SOLAMENTE.
- Si los residuos que se estén recogiendo tienen algo de humedad, la bolsa absorberá dicha humedad y se podrá deteriorar muy rápidamente, lo cual hará que dicha bolsa quede en estado no funcional.
- Si está utilizando la aspiradora para recoger polvo fino, la bolsa de recolección de polvo hará más fácil la limpieza.

Nota: Las bolsas de recolección de polvo se DEBEN usar en combinación con un filtro de cartucho de papel plisado.

- Las instrucciones para la instalación y remoción de las bolsas de recolección de polvo están impresas en las bolsas.

FUNCIONAMIENTO (continuación)

Vaciado del tambor

⚠ ADVERTENCIA: Para reducir el riesgo de lesiones debidas a un arranque accidental, desenchufe el cordón de energía antes de vaciar el tambor.

1. La aspiradora viene equipada con un drenaje para vaciarla fácilmente de líquidos. Simplemente desenrosque la tapa del drenaje y levante ligeramente el lado opuesto para vaciar el tambor.
2. Otra opción es retirar el ensamblaje del cabezal del motor. Jale hacia fuera los pestillos flexibles ubicados a cada lado del ensamblaje del cabezal del motor para liberarlos del tambor.
3. Mientras sujeta los pestillos hacia fuera, levante el ensamblaje del cabezal del motor alejándolo del tambor.
4. Coloque el ensamblaje del cabezal del motor en posición invertida sobre un área limpia mientras vacía el tambor o cambia el filtro.
5. Vierta el contenido del tambor en el recipiente adecuado de eliminación de residuos.

⚠ ADVERTENCIA: Para reducir el riesgo de que se produzcan lesiones en la espalda o caídas, no levante la aspiradora si pesa demasiado debido a que contiene líquido o residuos. Saque o haga salir una cantidad suficiente del contenido para hacer que la aspiradora sea suficientemente liviana como para poder levantarla cómodamente.

⚠ ADVERTENCIA: evitar el riesgo de descargas eléctricas o incendio, desenchufe la aspiradora cuando no la esté utilizando. No la deje nunca en funcionamiento mientras esté desatendida.

Dispositivo de soplado

La aspiradora cuenta con “soplado completo”. Tiene capacidad para soplar serrín y otros residuos. Siga los pasos que se indican a continuación para utilizar la aspiradora como soplador.

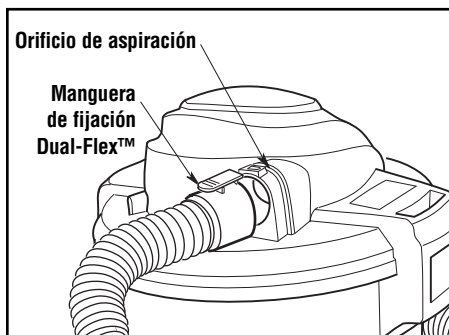
⚠ ADVERTENCIA: Use siempre anteojos de seguridad que cumplan con la norma ANSI Z87.1 (o en Canadá, con la norma CSA Z94.3) antes de utilizar la aspiradora como soplador.

⚠ ADVERTENCIA: Para reducir el riesgo de lesiones a las personas que estén presentes, manténgalas alejadas de los residuos soplados.

⚠ PRECAUCIÓN: Use una máscara antipolvo si el soplado genera polvo que podría ser inhalado.

⚠ PRECAUCIÓN: Para reducir el riesgo de daños a la audición, use protectores de oídos cuando utilice la aspiradora/soplador durante muchas horas seguidas o cuando la utilice en un área ruidosa.

1. Localice el orificio de soplado de la aspiradora para mojado/seco.
2. Inserte el extremo con lengüeta de la manguera en el orificio de soplado de la aspiradora.
3. (Opcional) Coloque el tubo extensor en el extremo giratorio de la manguera y luego coloque una boquilla para auto en el tubo extensor.
4. Encienda la aspiradora y estará listo para usarla como soplador.



MANTENIMIENTO

Filtro

▲ ADVERTENCIA: Para reducir el riesgo de lesiones debidas a un arranque accidental, **desenchufe el cordón de energía antes de cambiar o limpiar el filtro.**

NOTA: Este filtro está hecho de papel de alta calidad diseñado para detener partículas de polvo muy pequeñas. El filtro se puede usar para recoger material seco o pequeñas cantidades de líquido. Maneje el filtro cuidadosamente al quitarlo para limpiarlo o al instalarlo. Es posible que se produzcan arrugas en los pliegues del filtro, pero dichas arrugas no afectarán el funcionamiento del filtro.

Remoción e instalación del filtro Qwik Lock™

Remoción del filtro:

1. Sostenga las lengüetas del filtro Qwik Lock™ en cada mano.
2. Con un dedo pulgar en el vástago Qwik Lock™, que sobresale a través de la placa del filtro integrada, levante las lengüetas del filtro a la vez que empuja hacia abajo sobre el vástago.
3. Esta acción hará que el filtro se suelte de la jaula del filtro. Deslice el filtro hasta retirarlo de la jaula.

IMPORTANTE: Para evitar daños a la rueda del soplador y al motor, vuelva a instalar siempre el filtro antes de usar la aspiradora para recoger material seco.

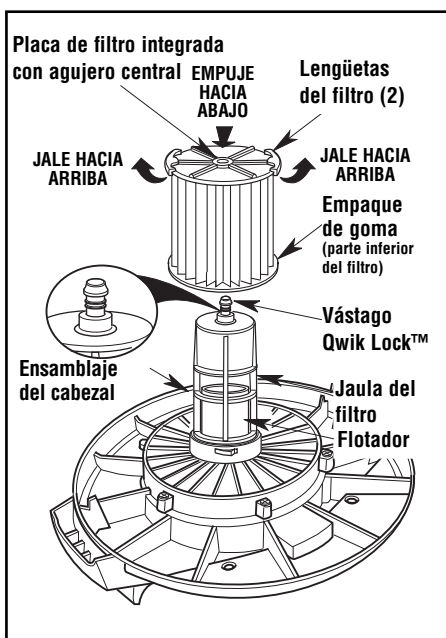
Instalación del filtro:

1. Deslice cuidadosamente el filtro Qwik Lock™ sobre la jaula del filtro y presione hacia abajo sobre el borde exterior del filtro hasta que el empaque de goma ubicado en la parte inferior del filtro se asiente firmemente alrededor de la base de la jaula del filtro y contra el ensamblaje del cabezal del motor.

2. Alinee el agujero central pequeño ubicado en la parte superior del filtro sobre el vástago Qwik Lock™ ubicado en la jaula del filtro. Presione firmemente sobre la parte de arriba del filtro cerca del vástago, para permitir que el filtro se acople a presión sobre la bola ubicada en el extremo del vástago. Una vez hecho esto, el filtro estará instalado.

NOTA: Si no se asienta apropiadamente el empaque inferior, el resultado podría ser que los residuos pasen por alto el filtro.

▲ ADVERTENCIA: No utilice la aspiradora sin la jaula del filtro y el flotador, ya que estas piezas evitan que entre líquido en el impulsor y dañe el motor.



Limpieza del filtro

El filtro se debe limpiar a menudo para mantener un rendimiento óptimo de la aspiradora.

MANTENIMIENTO (continuación)

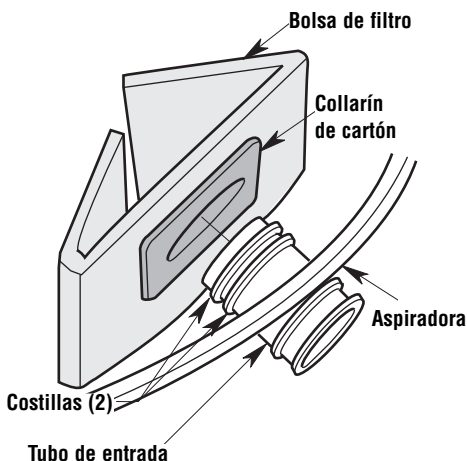
Bolsa de filtro

INSTRUCCIONES DE INSTALACIÓN

Se podrá utilizar una bolsa de filtro en lugar de o además del filtro de cartucho Qwik Lock™.

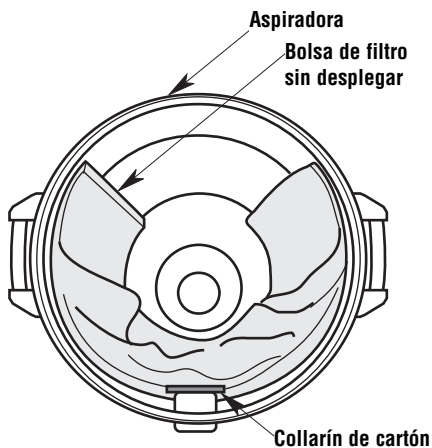
NOTA: Cuando recoja residuos secos, se debe instalar correctamente una bolsa de filtro o un filtro de cartucho.

1. La bolsa de filtro se deberá utilizar solamente para recoger residuos secos.
2. Se requiere un posicionamiento correcto del collarín de cartón para asegurar un sello adecuado.
3. Localice las dos costillas ubicadas en el tubo de entrada, dentro del tambor.
4. Deslice el collarín de cartón sobre el tubo de entrada y posicione dicho collarín de cartón entre las dos costillas.
5. Con el collarín de cartón instalado firmemente, despliegue y posicione la bolsa de filtro dentro del tambor, de la manera que se muestra en la ilustración.



INSTRUCCIONES DE REMOCIÓN

1. Deslice el collarín de cartón hacia el centro del tambor de la aspiradora.
2. Retire la bolsa de filtro del tambor de la aspiradora y deséchela.
3. Instale la bolsa de filtro nueva.



⚠ ADVERTENCIA: Para evitar los peligros para la salud por causa de vapores o polvo, no aspire materiales tóxicos o cancerígenos ni otros materiales peligrosos, tales como asbesto, arsénico, bario, berilio, plomo, pesticidas u otros materiales que pongan en peligro la salud.

⚠ PRECAUCIÓN: Para evitar derramar los residuos, cuando recoja material pesado o afilado, monitoree el volumen de la bolsa y no la llene excesivamente.

Limpeza de un filtro seco

NOTA: Para obtener óptimos resultados de limpieza debido a la acumulación de polvo, limpie el filtro en un área abierta. La limpieza SE DEBE realizar al aire libre y no en el interior de la vivienda.

1. Se puede lograr una extracción parcial de residuos sin quitar el filtro de la aspiradora. Dé una palmada con la mano sobre la parte superior del ensamblaje del motor mientras la aspiradora está apagada.
2. Después de quitar el filtro de la aspiradora, saque los residuos secos golpeando suavemente el filtro contra la pared interior del tambor para polvo. Los residuos se soltarán y caerán.
3. Para una limpieza a fondo del filtro seco con polvo fino (sin residuos), haga pasar agua a través del filtro tal como se describe bajo "Limpeza de un filtro mojado".

Limpeza de un filtro mojado

Después de quitar el filtro, haga pasar agua a través de él usando una manguera o desde una espita. Tenga cuidado de que la presión del agua procedente de la manguera no sea tan fuerte como para dañar el filtro.

IMPORTANTE: Después de limpiar el filtro, compruebe si éste tiene desgarraduras o agujeros pequeños. No use un filtro que tenga agujeros o desgarraduras. Incluso un agujero pequeño puede hacer que se salga mucho polvo de la aspiradora. Cámbielo inmediatamente.

Asegúrese de secar el filtro antes de guardar la aspiradora o de recoger residuos secos.

Limpeza y desinfección de la aspiradora para mojado/seco

Para mantener el mejor aspecto posible de la aspiradora para mojado/seco, limpie su exterior con un paño humedecido con agua templada y un jabón suave.

Para limpiar el tambor:

1. Vacíe de residuos el tambor.
2. Lave a fondo el tambor con agua templada y un jabón suave.
3. Limpie el tambor con un paño seco.

Antes de un almacenamiento prolongado o según sea necesario (por ejemplo, si se recogen aguas residuales), se debe desinfectar el tambor.

Para desinfectar el tambor:

1. Eche 1 galón (4 L) de agua y 1 cucharadita (5 mL) de blanqueador de cloro en el tambor.
2. Deje que la solución repose durante 20 minutos y agítela cuidadosamente cada pocos minutos, asegurándose de mojar todas las superficies interiores del tambor.
3. Vacíe el tambor después de 20 minutos. Enjuáguelo con agua hasta que el olor a blanqueador desaparezca. Deje que el tambor se seque completamente antes de sellar el motor sobre el tambor.

MANTENIMIENTO (continuación)

Mantenimiento del cordón

Cuando se haya completado la limpieza con la aspiradora, desenchufe el cordón y enróllelo alrededor del ensamblaje del cabezal del motor. Si el cordón de energía está dañado, debe ser reemplazado por el fabricante o su agente de servicio o por personal similarmente calificado, para reducir el riesgo de accidente.

Almacenamiento del cordón

Simplemente, enrolle el cable de alimentación alrededor del ensamblaje del cabezal del motor y acople a presión el conector ubicado en el enchufe en una vuelta del cable.

Almacenamiento

Antes de almacenar la aspiradora, se debe vaciar y limpiar el tambor para polvo. El cordón se debe enrollar alrededor de la unidad y la manguera se debe almacenar de la manera descrita en este manual. Los accesorios se deben mantener en la misma área que la aspiradora para que estén al alcance de la mano cuando se necesiten. La aspiradora se debe almacenar en interiores.


Ruedecillas

Si las ruedecillas hacen ruido, puede poner una gota de aceite en el eje del rodillo para que hagan menos ruido.

⚠ ADVERTENCIA: Para garantizar la **SEGURIDAD** y **CONFIABILIDAD** del producto, cualquier otro mantenimiento, reparación o ajuste deberá ser realizado por centros de servicio Autorizados, utilizando siempre piezas de repuesto **WORKSHOP**.

⚠ ADVERTENCIA

SERVICIO DE AJUSTES Y REPARACIONES DE UNA ASPIRADORA PARA MOJADO/SECO CON AISLAMIENTO DOBLE

En una aspiradora para mojado/seco con aislamiento doble se proporcionan dos sistemas de aislamiento en vez de conexión a tierra. No se proporciona ningún medio de conexión a tierra en un aparato electrodoméstico con aislamiento doble, ni se debe añadir a éste ningún medio de conexión a tierra. El servicio de ajustes y reparaciones de una aspiradora para mojado/seco con aislamiento doble requiere extremado cuidado y conocimiento del sistema, y debe ser realizado únicamente por personal de servicio competente. Las piezas de repuesto para la aspiradora para mojado/seco con aislamiento doble deben ser idénticas a las piezas que reemplazan. La aspiradora para mojado/seco con aislamiento doble está marcada con las palabras "DOUBLE INSULATED" (con aislamiento doble) y puede que el símbolo  (un cuadrado dentro de un cuadrado) también esté marcado en los aparatos.

Para reducir el riesgo de lesiones por causa de descargas eléctricas, desenchufe el cordón de energía antes de hacer servicio de ajustes y reparaciones a las piezas eléctricas de la aspiradora para mojado/seco.

⚠ ADVERTENCIA: Para reducir el riesgo de lesiones por causa de descargas eléctricas, desenchufe el cordón de energía antes de hacer servicio de ajustes y reparaciones a las piezas eléctricas de la aspiradora para mojado/seco.

⚠ ADVERTENCIA: Todo el desmontaje y todas las reparaciones deberán ser realizados por personal calificado.

GARANTÍA LIMITADA DE WORKSHOP®

Esta garantía limitada es ofrecida por Emerson Tool Company, una división de Emerson Electric Co., radicada en la dirección que se indica más abajo (“ETC” o “nosotros” o “nuestro” o “nuestra”) y se aplica a nuestras aspiradoras para mojado/seco de la marca WORKSHOP (colectivamente, el “Producto WORKSHOP®”).

Si tiene preguntas o necesita asistencia en relación con la garantía de su Producto WORKSHOP, sírvase contactar al Departamento de Servicio al Cliente de Productos WORKSHOP de ETC llamando al número gratuito o escribiendo a la dirección provista más abajo.

Garantía limitada de WORKSHOP®

ETC, radicada en 8100 W Florissant Ave, St. Louis, MO 63136, ofrece la siguiente garantía limitada al comprador original solamente (“usted” o “su”), sujeta a las exclusiones que se describen a continuación: Su Producto WORKSHOP estará libre de defectos de material y de fabricación cuando se utilice en circunstancias normales de acuerdo con los términos establecidos en el Manual del Usuario que se le entregue a usted con el Producto WORKSHOP, durante un período de cinco (5) años a partir de la fecha de compra original (el “Período de Garantía”). Esta garantía limitada se termina si el comprador original transfiere el Producto WORKSHOP a cualquier otra persona o entidad.

Qué no está cubierto: Exclusiones de la garantía

Esta garantía limitada no se extiende a lo siguiente y lo excluye expresamente:

- El desgaste por el uso normal y/o los aditamentos o accesorios de repuesto, incluyendo, sin limitación, cables de alimentación, mangueras, filtros y otros aditamentos o accesorios que pongamos a la venta para utilizarlos con el Producto WORKSHOP.
- Daños al motor del Producto WORKSHOP o quemadura de dicho motor que resulten del hecho de no despejar una obstrucción que ocurra durante el transcurso normal del uso.
- Pérdida del Producto WORKSHOP o daños al mismo que resulten de situaciones que estén más allá del control de ETC, incluyendo, sin limitación, uso incorrecto, accidente, abuso, descuido, negligencia (que no sea de ETC), sobreutilización más allá de la capacidad prevista según se establezca en el Manual del Usuario o modificaciones o alteraciones realizadas por alguien ajeno a ETC.
- Pérdida del Producto WORKSHOP o daños al mismo que resulten del hecho de no usar el Producto WORKSHOP de acuerdo con las instrucciones escritas, las directrices y los términos y condiciones que se establecen en el Manual del Usuario.

Notificación de garantía limitada y procedimientos de reclamo

Si descubre dentro del Período de Garantía aplicable que su Producto WORKSHOP tiene un defecto que cree que está cubierto por esta garantía limitada, debe contactar al Departamento de Servicio al Cliente de Productos WORKSHOP de ETC llamando al (888) 455-8724 entre las horas de 8:30 a.m. y 4:30 p.m. Hora Central. Alternativamente, podrá contactar al Departamento de Servicio al Cliente de Productos WORKSHOP de ETC escribiendo a la dirección de correo electrónico indicada en su Manual del Usuario o en la página de Productos WORKSHOP del sitio Web de ETC.

Para que se procese su reclamo bajo garantía lo más rápidamente posible, sugerimos que complete la “Tarjeta de Registro” que está a su disposición en la página de Productos WORKSHOP del sitio Web de ETC en www.WORKSHOPvac.com. Si opta por no registrar su Producto WORKSHOP, para presentar un reclamo bajo garantía tendrá que proporcionarnos una copia de su recibo de venta u otro comprobante de compra que muestre la fecha de compra, para confirmar que su reclamo está dentro del Período de Garantía y que usted es el comprador original.

GARANTÍA LIMITADA DE WORKSHOP®

Qué haremos para corregir los problemas

Después de que usted haya contactado al Departamento de Servicio al Cliente de Productos WORKSHOP de ETC conforme a los procedimientos que anteceden, ETC iniciará los procedimientos de la garantía, incluyendo una inspección física, sujeto a las exclusiones y al Período de Garantía que se establecen en este documento, para determinar si reparar o reemplazar el Producto WORKSHOP o darle a usted un reembolso.

La decisión de reparar o reemplazar su Producto WORKSHOP o darle un reembolso es a nuestra discreción exclusiva. La reparación o los reemplazos que ETC le provea a usted son sin costo alguno para usted si están cubiertos bajo esta garantía limitada. La cobertura bajo esta garantía limitada está condicionada en todo momento a que el comprador original cumpla con la notificación de garantía limitada que antecede y los correspondientes procedimientos de reclamo.

Si su reclamo está cubierto bajo esta garantía limitada, nosotros, a nuestra opción exclusiva (a) repararemos o reemplazaremos la porción defectuosa de su Producto WORKSHOP o (b) reemplazaremos todo su Producto WORKSHOP. Si no podemos proporcionarle un Producto WORKSHOP reparado o de repuesto que sea adecuado, le daremos un reembolso igual al precio de compra de su Producto WORKSHOP o un crédito para utilizarlo hacia la compra de un Producto WORKSHOP nuevo.

No se aplica ninguna otra garantía expresa

LAS GARANTÍAS LIMITADAS PROVISTAS MÁS ARRIBA SON LAS GARANTÍAS ÚNICAS Y EXCLUSIVAS OFRECIDAS POR ETC AL COMPRADOR ORIGINAL DEL PRODUCTO WORKSHOP Y SUSTITUYEN A TODAS LAS DEMÁS GARANTÍAS, ESCRITAS U ORALES, EXPRESAS O IMPLÍCITAS, TANTO SI SURGEN POR EFECTO DE LA LEY COMO DE OTRA MANERA, INCLUYENDO, SIN LIMITACIÓN, LAS GARANTÍAS DE COMERCIABILIDAD O IDONEIDAD PARA UN PROPÓSITO ESPECÍFICO, TANTO SI EL PROPÓSITO HA SIDO REVELADO COMO SI NO LO HA SIDO Y SI EL PRODUCTO WORKSHOP HA SIDO O NO HA SIDO DISEÑADO O FABRICADO ESPECÍFICAMENTE PARA USO POR USTED O PARA EL PROPÓSITO QUE USTED TENGA. LOS DESCARGOS DE RESPONSABILIDADES DE LAS GARANTÍAS IMPLÍCITAS, INCLUYENDO SIN LIMITACIÓN LAS GARANTÍAS IMPLÍCITAS DE COMERCIABILIDAD E IDONEIDAD PARA UN PROPÓSITO ESPECÍFICO, NO ENTRARÁN EN VIGOR HASTA EL FINAL DEL PERÍODO DE GARANTÍA. Ningún empleado, agente, distribuidor u otra persona está autorizado a alterar esta garantía limitada u ofrecer cualquier otra garantía en nombre de ETC. Los términos de esta garantía limitada no serán modificados por ETC, el propietario original o sus respectivos sucesores o cesionarios.

Limitación de responsabilidad

EN LA MEDIDA EN QUE ESTÉ PERMITIDO POR LA LEY, ETC NO SERÁ RESPONSABLE EN NINGÚN CASO POR DAÑOS INCIDENTALES, ESPECIALES, INDIRECTOS O EMERGENTES, INCLUYENDO CUALQUIER PÉRDIDA ECONÓMICA, TANTO SI RESULTA DE BAJO RENDIMIENTO, USO, USO INCORRECTO O INCAPACIDAD PARA UTILIZAR EL PRODUCTO WORKSHOP, COMO SI SE DEBE A LA NEGLIGENCIA DE ETC. ETC NO SERÁ RESPONSABLE POR DAÑOS CAUSADOS POR LA DEMORA EN EL RENDIMIENTO DEBIDO Y EN NINGÚN CASO, INDEPENDIENTEMENTE DE LA FORMA DEL RECLAMO O LA CAUSA DE ACCIÓN (TANTO SI SE BASA EN CONTRATO COMO EN INFRACCIÓN, NEGLIGENCIA, RESPONSABILIDAD ESTRICTA, OTRO AGRAVIO O CUALQUIER OTRA COSA), LA RESPONSABILIDAD DE ETC HACIA USTED O CUALQUIER PERSONA QUE UTILICE EL PRODUCTO WORKSHOP EXCEDERÁ EL PRECIO PAGADO POR EL PROPIETARIO ORIGINAL POR EL PRODUCTO WORKSHOP. La expresión "daños emergentes" incluirá, pero no estará limitada a, pérdida de ganancias anticipadas, interrupción del negocio, pérdida de uso o ingresos, costo de capital o pérdida de bienes o equipos o daños a los mismos.

Algunos estados no permiten la exclusión ni la limitación de los daños incidentales o emergentes, por lo que es posible que la limitación que antecede no tenga aplicación en el caso de usted.

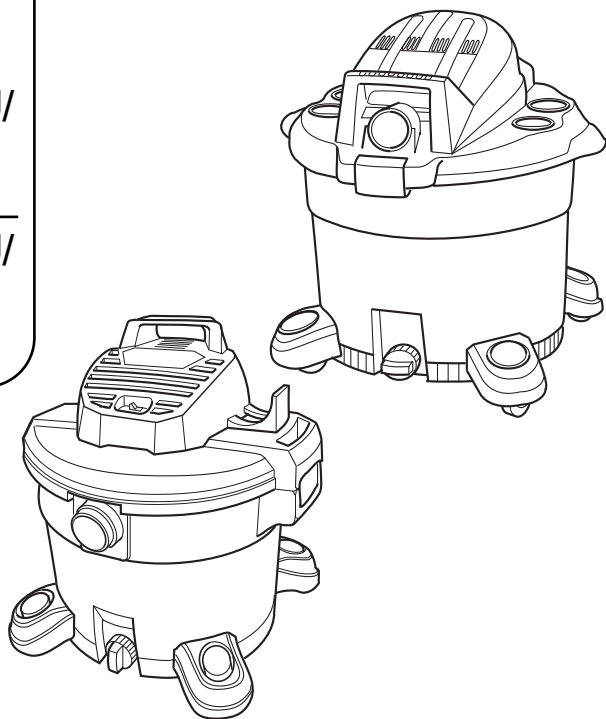
Esta garantía limitada le confiere a usted derechos legales específicos y es posible que usted tenga también otros derechos que varían de un estado a otro.

WORKSHOP[®] MD

WET/DRY VACS

- Aspirateur de liquides et de poussières
- 12 gallons É.-U/
45 litres
- **WS1200VA0**
- 16 gallons É.-U/
60 litres
- **WS1600VA0**

MODE D'EMPLOI



EN CAS DE QUESTIONS OU POUR OBTENIR DES INFORMATIONS,
VEUILLEZ NOUS CONTACTER AU :
1-888-455-8724 depuis les États-Unis et le Canada
www.WORKSHOPvacs.com

⚠ AVERTISSEMENT :

Pour réduire le risque de blessure, l'utilisateur doit lire et comprendre le mode d'emploi avant d'utiliser ce produit.

• Español – página 17

CONSERVER CE MANUEL POUR RÉFÉRENCE FUTURE

TABLE DES MATIÈRES

Section	Page	Section	Page
Instructions importantes relatives à la sécurité	34	Retrait et installation du filtre Qwik Lock	43
Introduction	36	Nettoyage du filtre	43
Déballage et inspection du contenu du carton	36	Sac-filtre	44
Assemblage de l'ensemble roulette et pied à roulette	37	Nettoyage d'un filtre sec	45
Assemblage de l'aspirateur de liquides et de poussières	37	Nettoyage d'un filtre humide	45
Rangement et assemblage des accessoires	39	Nettoyage et désinfection de l'aspirateur de liquides et de poussières	45
Fonctionnement	40	Entretien du cordon d'alimentation	46
Fiche polarisée	40	Rangement du cordon d'alimentation	46
Choix du filtre correct	41	Rangement	46
Vidage du tambour	42	Roulettes	46
Fonction de soufflante	42	Réparation de l'aspirateur de liquides et de poussières doublement isolé	46
Entretien	43	Garantie	47
Filtre	43	Pièces de rechange	50

INSTRUCTIONS IMPORTANTES RELATIVES À LA SÉCURITÉ

La sécurité est une combinaison de faire preuve de bon sens, rester vigilant et savoir comment votre aspirateur de liquides et de poussières (« aspirateur ») fonctionne.

Termes de signalisation de questions de sécurité

▲ DANGER : indique une situation dangereuse qui, si elle n'est pas évitée, causera la mort ou une blessure grave.

▲ AVERTISSEMENT : indique une situation dangereuse qui, si elle n'est pas évitée, risque de causer la mort ou une blessure grave.

▲ MISE EN GARDE : indique une situation dangereuse qui, si elle n'est pas évitée, pourrait causer une blessure légère ou modérée.

Prenez toujours des précautions élémentaires, notamment les précautions suivantes, lorsque vous utilisez votre aspirateur de liquides et de poussières :

▲ AVERTISSEMENT

– Pour réduire le risque d'incendie, de choc électrique ou de blessure :


- Lisez et comprenez ce manuel et toutes les étiquettes placées sur l'aspirateur avant de mettre celui-ci en marche.
- N'utilisez l'aspirateur que comme cela est décrit dans ce mode d'emploi.
- Ne laissez pas en marche pendant que vous êtes absent – vous vous risqueriez de manquer des signes importants indiquant un fonctionnement anormal, comme une perte de puissance d'aspiration, la sortie de débris ou de liquides par la bouche de soufflage d'air ou des bruits anormaux en provenance du moteur. Cessez immédiatement d'utiliser l'aspirateur si vous constatez de tels signes.
- Ne laissez pas l'aspirateur sans surveillance quand il est branché dans une prise de courant. Débranchez-le de la prise quand il n'est pas utilisé et avant toute opération de maintenance.
- Des étincelles à l'intérieur du moteur risquent de mettre feu à des vapeurs ou poussières inflammables. Pour réduire le risque d'incendie ou d'explosion : n'utilisez pas à proximité de gaz ou de liquides inflammables ou combustibles, ou de poussières explosives, comme de l'essence automobile ou d'autres fiouls, de l'essence à briquet, des produits de nettoyage, de la peinture à l'huile, du gaz naturel, de l'hydrogène, de la poussière de charbon, de la poussière de magnésium, de la poussière d'aluminium, de la poussière de céréales ou de la poudre.
- N'aspirez jamais de matières en train de brûler ou des matières fumigènes, telles que des cigarettes, des allumettes ou des cendres chaudes.
- Videz le tambour après chaque utilisation pour éviter le risque d'inflammation des débris du tambour. Les matériaux combustibles, tels que des chiffons ou de la sciure contenant des colorants ou de l'uréthane, peuvent être des sources d'une telle surchauffe.
- N'aspirez jamais de poussières de plaques de plâtre, de suie ou de cendres de cheminée froides lorsqu'un filtre pour aspirateur de liquides et de poussières standard. Il s'agit de poussières très fines qui risqueraient d'être projetées à nouveau dans l'air ambiant. Utilisez un filtre à poussières fines à la place.
- Pour réduire le risque d'inhalation de vapeurs toxiques, n'aspirez pas de matériaux toxiques ou dangereux, et n'utilisez pas à proximité de tels matériaux.
- Pour réduire le risque de choc électrique, n'exposez pas à la pluie et empêchez l'entrée de liquides dans le compartiment du moteur. Rangez à l'intérieur.
- Ne laissez pas les enfants se servir de l'aspirateur comme d'un jouet. Il faut surveiller de très près quand il est utilisé par des enfants ou à proximité d'enfants.
- N'utilisez pas avec un filtre déchiré ou sans avoir installé de filtre, sauf quand vous aspirez des liquides, comme cela est décrit dans ce mode d'emploi. Des débris secs capturés par la roue risquent d'endommager le moteur ou d'être expulsés à nouveau dans l'air ambiant.

- Cet aspirateur de liquides et de poussières n'est pas conçu pour emploi par des personnes (y compris des enfants) ayant des capacités physiques, sensorielles ou mentales réduites, ou qui n'ont pas l'expérience ou les connaissances nécessaires, sauf en cas de supervision ou d'instructions sur l'utilisation de cet appareil par une personne responsable de leur sécurité.
- Éteignez l'aspirateur avant de le débrancher.
- Pour réduire le risque de blessure pouvant être causée par une mise en marche accidentelle, débranchez le cordon d'alimentation avant de changer le filtre ou de le nettoyer.
- Ne débranchez pas en tirant sur le cordon. Pour débrancher, saisissez la fiche – pas le cordon.
- N'utilisez pas l'aspirateur avec une fiche, un cordon ou un autre composant endommagé. Si votre aspirateur ne fonctionne pas comme il faut, s'il manque des pièces, s'il quelqu'un l'a laissé tomber, s'il est endommagé, s'il a été laissé à l'extérieur ou s'il est tombé dans de l'eau, téléphonez au service d'assistance à la clientèle.
- Ne tirez pas l'aspirateur et ne le portez pas par son cordon, n'utilisez pas le cordon pour servir de poignée, ne fermez pas une porte sur le cordon et ne laissez pas le cordon tendu passer sur des bords ou des coins tranchants. Ne traînez pas l'aspirateur sur son cordon. Maintenez le cordon à distance des surfaces chauffées.
- Ne touchez pas la fiche, l'interrupteur ou l'aspirateur avec des mains mouillées.
- Utilisez seulement des cordons de rallonge qui sont conçus pour emploi à l'extérieur. Les cordons de rallonge en mauvais état ou trop petits en termes de calibre des fils peuvent poser des risques d'incendie et de choc électrique. Pour réduire le risque de tels dangers, inspectez les cordons pour vous assurer qu'ils sont en bon état et que le liquide n'entre pas en contact avec le raccordement. N'utilisez pas de cordons de rallonge dont les conducteurs ont un calibre inférieur à 1,3 mm² (16 AWG).
- Cet aspirateur de liquides et de poussières a une double isolation, ce qui élimine le besoin d'un système de mise à la terre séparé. Utilisez seulement des pièces de rechange identiques. Lisez les instructions concernant l'entretien des aspirateurs de liquides et de poussières à double isolation avant toute opération d'entretien.
- Ne mettez aucun objet dans les orifices de ventilation. N'aspirez pas quand de quelconques orifices de ventilation sont obstrués; assurez-vous que ces orifices ne sont pas bloqués par de la poussière, de la peluche, des cheveux ou de quelconques objets pouvant réduire la circulation de l'air.
- Gardez les cheveux, les vêtements flottants, les doigts et toutes les parties du corps à distance des orifices et des pièces mobiles.
- Pour réduire le risque de chute, faites très attention lorsque vous utilisez l'aspirateur dans des escaliers.
- Pour réduire le risque de vous faire mal au dos ou de tomber, ne soulevez pas un aspirateur qui est lourd en raison de la présence de liquides ou de débris aspirés. Videz partiellement l'aspirateur en écopant ou en purgeant de façon à l'alléger pour pouvoir le soulever plus facilement.
- Pour réduire le risque de blessure ou le risque d'endommagement de l'aspirateur, n'utilisez que des accessoires recommandés par WORKSHOP.
- En cas d'utilisation de l'aspirateur comme soufflante :
 - Ne dirigez la décharge d'air que vers la zone de travail.
 - Ne dirigez pas l'air vers des personnes présentes à proximité.
 - Gardez les enfants à distance lors du fonctionnement de la soufflante.
 - N'utilisez la soufflante que pour souffler des saletés et des débris.
 - N'utilisez pas en guise de pulvérisateur.
- Pour réduire le risque de blessure pour les yeux, portez des lunettes de sécurité. L'utilisation de toute soufflante ou de tout aspirateur utilitaire peut toujours causer la projection de corps étrangers dans les yeux, ce qui risque d'entraîner des blessures graves aux yeux.

▲ MISE EN GARDE :

- Pour réduire le risque de perte auditive, portez des protecteurs d'oreilles lorsque vous vous servez de l'aspirateur pendant plusieurs heures ou quand vous l'utilisez dans un endroit bruyant.
- Portez un masque antipoussières en cas d'utilisation dans un environnement poussiéreux.
- Les décharges statiques sont fréquentes dans les endroits secs ou lorsque l'humidité relative de l'air ambiant est faible. L'aspiration de débris fins avec votre aspirateur peut déposer une charge statique sur le tuyau ou sur l'aspirateur. La meilleure chose à faire pour réduire la fréquence des décharges statiques chez vous ou lorsque vous utilisez cet aspirateur consiste à ajouter de l'humidité dans l'air avec un humidificateur.

Observez les avertissements suivants qui figurent sur le carter du moteur de votre aspirateur :

 **DOUBLEMENT ISOLÉ.**
MISE À LA TERRE NON NÉCESSAIRE.
POUR L'ENTRETIEN, N'UTILISEZ QUE DES PIÈCES DE RECHANGE IDENTIQUES.

▲ AVERTISSEMENT :

- **Pour votre propre sécurité, lisez et comprenez le manuel de l'opérateur.**
- **Ne laissez jamais l'aspirateur en marche sans surveillance.**
- **Ne ramassez pas de cendres chaudes, de charbon ou de matières toxiques, inflammables ou dangereuses.**
- **N'utilisez pas à proximité de vapeurs ou de liquides explosifs.**

▲ AVERTISSEMENT : pour réduire le risque de choc électrique – n'exposez pas à la pluie – rangez à l'intérieur.

INTRODUCTION

Cet aspirateur de liquides et de poussières est conçu pour un emploi domestique. Il peut être utilisé pour l'aspiration de matières légères humides ou sèches, et il peut également faire fonction de soufflante.

Familiarisez-vous avec les fonctions suivantes de ce produit, et lisez le mode d'emploi du début à la fin pour obtenir des détails précis sur l'utilisation de votre nouvel aspirateur de liquides et poussières.

DÉBALLAGE ET INSPECTION DU CONTENU DU CARTON

Retirez tous les éléments se trouvant dans la boîte en carton. Inspectez chaque élément en le comparant à la liste incluse dans la boîte en carton. Téléphonez au 1-888-455-8724 ou envoyez-nous un courriel à info@WORKSHOPvacs.com si des pièces sont manquantes ou endommagées.

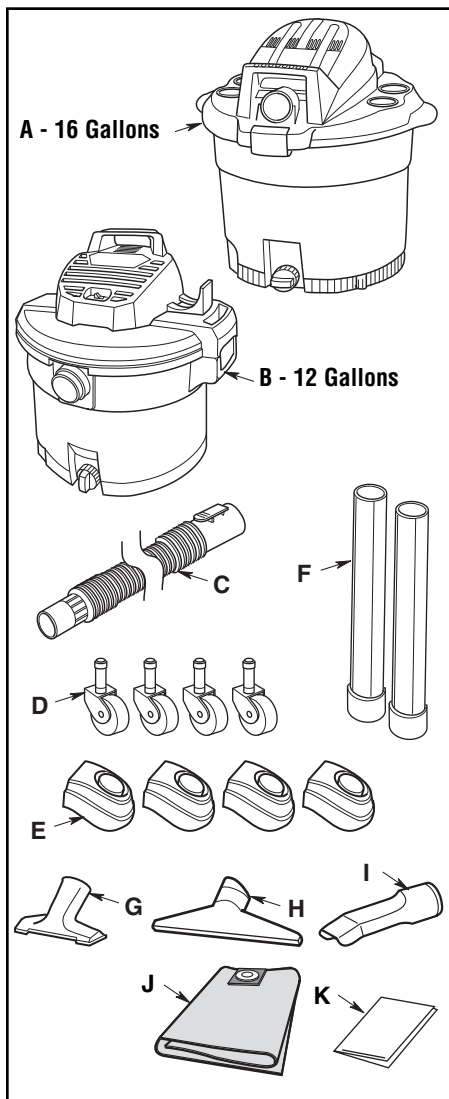
Se référer au croquis d'assemblage pour le positionnement des pièces.

Liste du contenu de la boîte en carton (WS1600VA0)

Légende	Description	Qté
A	Aspirateur de liquides et de poussières (16 gallons).....	1
C	Tuyau flexible verrouillable Dual-Flex™.....	1
D	Pieds à roulettes.....	4
E	Pieds à roulettes avec aire de rangement.....	4
F	Baguettes de rallonge.....	2
G	Suceur à usages multiples.....	1
H	Suceur humide.....	1
I	Suceur pour véhicules.....	1
K	Mode d'emploi.....	1

Liste du contenu de la boîte en carton (WS1200VA0)

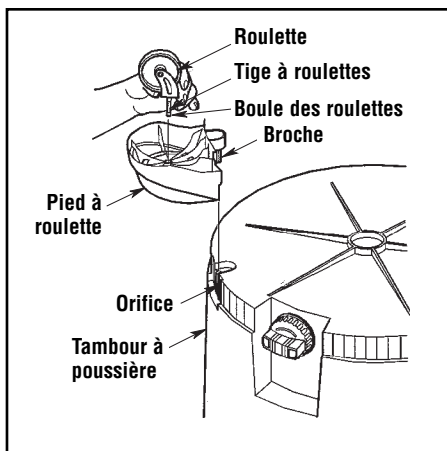
Légende	Description	Qté
B	Aspirateur de liquides et de poussières (12 gallons).....	1
C	Tuyau flexible verrouillable Dual-Flex™.....	1
D	Pieds à roulettes.....	4
E	Pieds à roulettes avec aire de rangement.....	4
F	Baguettes de rallonge.....	2
G	Suceur à usages multiples.....	1
H	Suceur humide.....	1
I	Suceur pour véhicules.....	1
J	Sac de collecte de poussière.....	1
K	Mode d'emploi.....	1



ASSEMBLAGE DES ROULETTES/PIEDS À ROULETTES

Après avoir retiré l'ensemble de bloc-moteur du tambour et placé le tambour sens dessus-dessous sur le sol :

1. Insérer les quatre pieds à roulettes dans le dessous du tambour aux quatre emplacements réservés à cet effet à proximité du capuchon de drain, de la façon illustrée.
2. Appuyez fermement sur le pied de la roulette jusqu'à ce qu'il soit au ras du fond du tambour à poussière.
3. Insérer la tige à roulette dans le logement du pied à roulette, de la façon illustrée (4 emplacements).
4. Appuyez sur la roulette d'un léger mouvement tournant jusqu'à ce que la bille sur la tige de la roulette soit insérée complètement à l'intérieur de la douille. On peut entendre un déclic lorsque la boule se met en place, et la roulette pivote facilement lorsque le positionnement est correct.

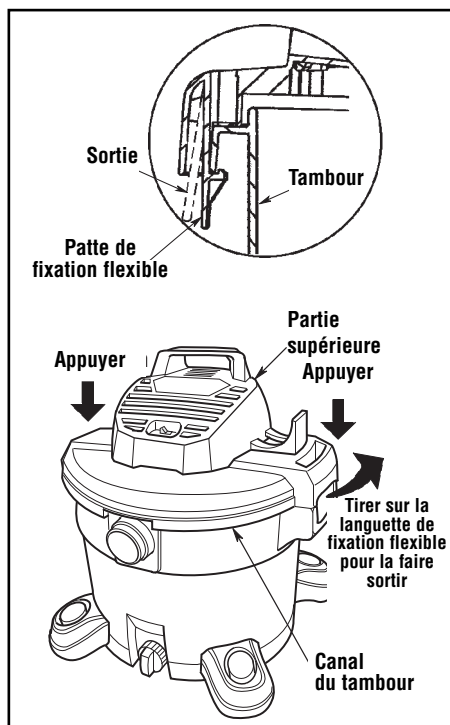


5. Renverser le tambour à nouveau pour qu'il soit dans le bon sens.

ASSEMBLAGE DE L'ASPIRATEUR DE LIQUIDES ET DE POUSSIÈRES

1. Alignez la partie avant de l'ensemble de bloc-moteur de telle façon que l'orifice d'admission de l'aspirateur soit situé sur la partie avant du tambour, comme illustré.
2. Placez l'ensemble de bloc-moteur sur le dessus du tambour.
3. Assurez-vous que l'ensemble de bloc-moteur recouvre complètement le dessus du tambour afin qu'il n'y ait pas de fuites.
4. Appuyez sur le dessus des zones de verrouillage du tambour pour que les verrous du tambour puissent s'accrocher à la rainure du tambour.
5. Assurez-vous que les languettes de fixation sont bien enclenchées à leur place pour ne pas risquer que l'ensemble de bloc-moteur ne se détache. (Voir encadré.)

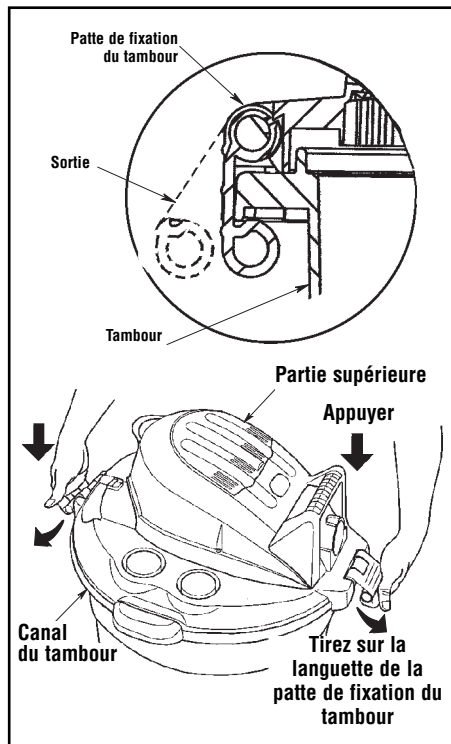
WS1200VA0



ASSEMBLAGE DE L'ASPIRATEUR DE LIQUIDES ET DE POUSSIÈRES (suite)

6. Pour le modèle **WS1600VA0**, faites tourner les deux loquets de fixation du tambour vers le bas et par dessus la lèvre du tambour jusqu'à ce que vous entendiez un dé clic.

WS1600VA0

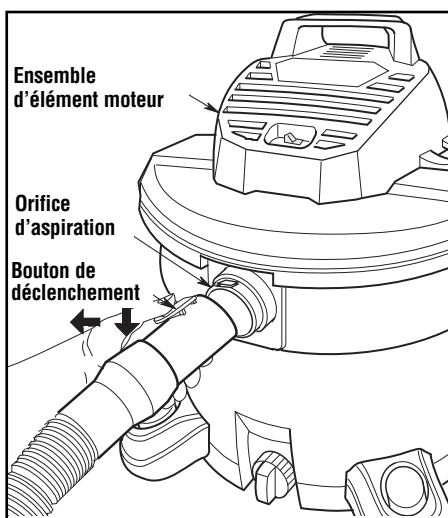


Insertion du tuyau

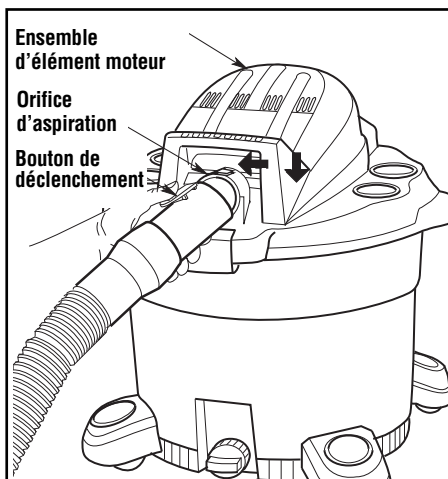
Insérez l'extrémité du bouton de déclenchement du tuyau flexible de fixation Dual-Flex™ dans l'orifice d'aspiration de l'aspirateur. Le tuyau devrait se mettre en place avec un bruit sec.

Pour retirer le tuyau de l'aspirateur, appuyez sur le bouton de déclenchement sur le tuyau et tirez sur le tuyau jusqu'à ce qu'il sorte de l'orifice d'aspiration de l'appareil, tel que cela est illustré.

WS1200VA0

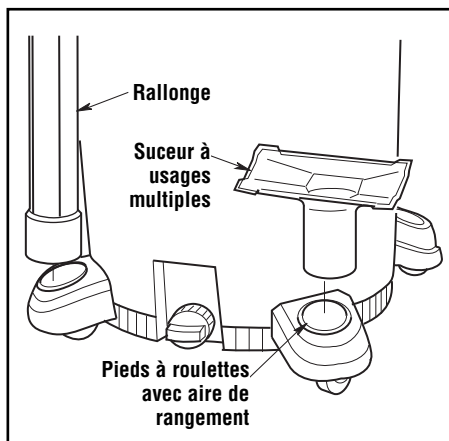


WS1600VA0



RANGEMENT ET ASSEMBLAGE DES ACCESSOIRES

Votre aspirateur de liquides et de poussières WORKSHOP a été conçu de façon à incorporer de meilleurs points de rangement des accessoires sur chacun des quatre pieds des roulettes. Vous pouvez ranger divers accessoires de façon pratique (suceurs, tubes de rallonge et tuyau flexible) à ces endroits.



FONCTIONNEMENT

▲ AVERTISSEMENT : pour réduire le risque d'incendie, d'explosion ou d'endommagement de l'aspirateur :

- Ne laissez pas en marche pendant que vous êtes absent – vous vous risqueriez de manquer des signes importants indiquant un fonctionnement anormal, comme une perte de puissance d'aspiration, la sortie de débris ou de liquides par la bouche de soufflage d'air ou des bruits anormaux en provenance du moteur. Cessez immédiatement d'utiliser l'aspirateur si vous constatez de tels signes.
- Ne laissez pas l'aspirateur branché lorsque vous ne l'utilisez pas.
- Ne continuez pas à utiliser l'aspirateur lorsque le flotteur a coupé l'aspiration.
- Les étincelles à l'intérieur du moteur risqueraient de mettre feu à des matières inflammables en suspension dans l'air. Ne pas utiliser l'aspirateur à proximité de liquides inflammables ou à des endroits où il y a des gaz ou des vapeurs inflammables, ou de la poussière explosive dans l'air. Les liquides, gaz et vapeurs inflammables comprennent : essence à briquet, produits de nettoyage du type solvant, peinture à base d'huile, essence, alcool et aérosols. Types de poussières explosives : charbon, magnésium, aluminium, céréales et poudre noire.
- N'aspirez pas de poussières explosives, de liquides inflammables ou de cendres chaudes.
- Ne laissez pas de sciure ou de chiffons avec des résidus de teinture ou de polyuréthane à l'intérieur de l'aspirateur. Videz le tambour après avoir ramassé ces matériaux potentiellement autochauffants.

▲ AVERTISSEMENT : pour réduire le risque de choc électrique ou de blessure :

- N'exposez pas à la pluie, et ne laissez pas de liquides pénétrer dans le compartiment du moteur. Rangez à l'intérieur.
- Ne touchez pas la fiche de branchement, l'interrupteur ou l'aspirateur si vous avez les mains mouillées.
- Débrancher l'aspirateur avant d'effectuer une quelconque opération de maintenance. Si votre aspirateur ne fonctionne pas comme il devrait, si des pièces sont manquantes, si vous l'avez laissé tomber, s'il est endommagé, s'il a été laissé à l'extérieur ou s'il a été immergé dans de l'eau, rappez-le dans un centre de réparation indépendant ou téléphonez au service d'assistance à la clientèle.
- Lorsque vous utilisez un cordon de rallonge, n'utilisez qu'un cordon prévu pour emploi à l'extérieur et en bon état. Ne laissez pas la connexion entrer en contact avec des liquides.

▲ MISE EN GARDE : pour réduire le risque de dommages auditifs, portez des protège-oreilles lorsque vous utilisez l'aspirateur/souffleur pendant une période prolongée ou dans une zone bruyante.

Fiche polarisée

Pour réduire le risque de choc électrique, cet appareil est muni d'une fiche polarisée (une lame est plus large que l'autre). Cette fiche n'est compatible avec une prise polarisée que dans un seul sens. Inverser la fiche si elle n'entre pas complètement dans la prise. Si elle n'entre toujours pas, prendre contact avec un électricien qualifié pour installer une prise de courant appropriée. Ne pas altérer la fiche de quelque manière que ce soit.

Après avoir branché le cordon d'alimentation dans la prise de courant, mettez l'appareil sous tension en appuyant sur l'interrupteur pour le faire passer de la position « O » à la position « I ». Ces deux symboles internationaux figurant sur le capot du moteur indiquent, respectivement, la position d'arrêt et la position de marche de votre aspirateur.



= ARRÊT



= MARCHÉ

FONCTIONNEMENT (suite)

Choix du filtre correct

⚠ AVERTISSEMENT : pour réduire le risque d'endommagement de l'aspirateur, ne mettez pas le moteur en marche avec le flotteur en position élevée. Un filtre à cartouche doit être présent et être en position correcte pendant toutes les opérations d'aspiration pour empêcher les fuites de débris et l'endommagement possible du moteur de l'aspirateur.

Il existe divers filtres qui sont disponibles pour les aspirateurs de liquides et de poussières WORKSHOP®. Vous devez choisir votre filtre en fonction de la tâche que vous effectuez. Tous les filtres disponibles ne sont pas inclus avec chaque modèle, mais ils peuvent être achetés suivant les besoins auprès de détaillants revendeurs d'aspirateurs de liquides et de poussières WORKSHOP ou en vous rendant sur le site www.WORKSHOPvac.com.

Liste des filtres disponibles :

1. Filtres à cartouche en papier accordéon

- Les filtres à cartouche en papier accordéon incluent les numéros de catalogue suivants : WS21200F (saletés ordinaires) WS22200F (poussières fines) et WS23200F (filtres à très haute efficacité).
- Chacun de ces filtres à cartouche en papier accordéon est conçu pour nettoyer des débris secs, mais il est néanmoins possible d'attirer un peu de liquide sans endommager le filtre. Si le filtre est maintenu en bon état, un peu de liquide ne causera pas de dommage au filtre. Lorsque vous aspirez beaucoup de liquide, le filtre à cartouche en papier accordéon deviendra saturé, de la buée apparaîtra peut-être près de l'orifice d'échappement de l'aspirateur et il se peut alors que le filtre soit endommagé. Après avoir utilisé l'aspirateur pour recueillir un peu de liquide, faites sécher soigneusement le filtre à cartouche en papier accordéon pour empêcher la présence de moisissures et pour éviter qu'il ne soit endommagé.
- Si vous utilisez votre aspirateur pour ramasser de la poussière très fine, vous devrez vider le tambour et nettoyer le filtre beaucoup plus fréquemment pour pouvoir maintenir la performance optimale de votre aspirateur.

d. Voir la rubrique intitulée « Retrait et installation du filtre Qwik Lock » pour obtenir des instructions sur la façon de changer le filtre à cartouche en papier accordéon.

2. Filtre à cartouche pour applications humides

- Le filtre à cartouche pour applications humides disponible a le numéro de catalogue WS24200F.
- Ce filtre à cartouche pour applications humides est conçu pour nettoyer les liquides et les débris humides seulement. Il ne doit PAS être utilisé pour ramasser des débris secs.
- Pour maintenir la performance optimale du filtre, rincez soigneusement avec de l'eau après chaque emploi.
- Voir la rubrique intitulée « Retrait et installation du filtre Qwik Lock » pour obtenir des instructions sur la façon de changer le filtre à cartouche pour applications humides.

3. Sacs de collecte de poussière (WS1200VA0 seulement)

- Le sac de collecte de poussière disponible pour l'aspirateur de liquides et de poussières modèle WS1200VA0 a le numéro de catalogue WS3200F.
- Le sac de collecte de poussière n'est conçu QUE pour le ramassage des débris secs.
- Si les débris ramassés sont humides, le sac absorbera l'humidité et risquera ainsi de se détériorer très vite, ce qui le rendra inutilisable.
- Si vous utilisez votre aspirateur pour ramasser de la poussière fine, le sac de collecte de poussière rendra le nettoyage plus facile.

Remarque : les sacs de collecte de poussière doivent être utilisés conjointement avec un filtre à cartouche en papier accordéon.

- Des instructions pour l'installation et le retrait des sacs de collecte de poussière sont imprimées sur les sacs.

FONCTIONNEMENT (suite)

Vidage du tambour

⚠ AVERTISSEMENT : pour réduire le risque de blessure en raison d'une mise en marche accidentelle, débrancher le cordon électrique avant de vider le tambour.

1. L'aspirateur est équipé d'un drain pour l'évacuation facile des liquides. Il suffit de dévisser le capuchon du drain et de soulever légèrement le côté opposé pour vider le tambour.
2. Une autre option consiste à retirer l'ensemble de bloc-moteur. Tirez les verrous flexibles vers l'extérieur de chaque côté de l'ensemble de bloc-moteur pour le détacher du tambour.
3. Tout en tenant les verrous ouverts, soulevez l'ensemble de bloc-moteur en l'éloignant du tambour.
4. Posez l'ensemble de bloc-moteur sens dessus-dessous sur une surface propre pendant que vous videz le tambour ou changez le filtre.
5. Verser le contenu du tambour dans un récipient à ordures approprié.

⚠ AVERTISSEMENT : pour réduire le risque de chute ou de blessure au dos il ne faut pas soulever un aspirateur plein de liquide ou de débris. Ramasser ou drainer suffisamment du contenu hors de l'aspirateur afin de rendre l'aspirateur assez léger pour le soulever confortablement.

⚠ AVERTISSEMENT : pour éviter tout risque de choc électrique ou d'incendie, débranchez l'aspirateur lorsque vous ne l'utilisez pas. Ne laissez jamais l'aspirateur en marche sans surveillance.

Fonction de soufflante

L'aspirateur de liquides et de poussières peut également servir de « soufflerie ». Il peut souffler de la sciure de bois et autres débris. Suivre la procédure indiquée ci-dessous pour utiliser l'aspirateur comme une soufflerie.

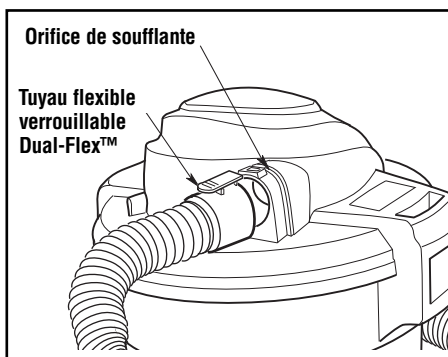
⚠ AVERTISSEMENT : il faut toujours porter des lunettes de protection conformes à la norme ANSI Z87.1 (ou, au Canada, ACNOR Z94.3) avant de se servir de l'aspirateur comme une soufflerie.

⚠ AVERTISSEMENT : pour ne pas risquer de causer des blessures à d'autres personnes, il est recommandé de leur demander de rester à distance suffisante des débris soufflés.

⚠ MISE EN GARDE : portez un masque anti-poussière si votre soufflage crée de la poussière qui pourrait être aspirée.

⚠ MISE EN GARDE : pour réduire le risque d'endommagement de l'ouïe, portez des protecteurs d'oreilles quand vous utilisez l'aspirateur/la soufflante pendant de longues périodes ou quand vous l'utilisez dans un environnement bruyant.

1. Localiser la soufflerie de l'aspirateur de liquides et de poussières.
2. Insérez l'extrémité crantée du tuyau flexible dans l'orifice de soufflerie de l'aspirateur.
3. (En option) Attacher la baguette de rallonge à l'extrémité pivotante du tuyau, puis placer un suceur pour véhicules sur la baguette.
4. Mettre l'aspirateur en marche – l'aspirateur peut désormais être utilisé comme soufflerie.



Filtre

⚠ AVERTISSEMENT : pour réduire le risque de blessure en raison d'une mise en marche accidentelle, débrancher le cordon électrique avant de remplacer le filtre ou de le nettoyer.

REMARQUE : le filtre est fait de papier de qualité élevée conçu pour intercepter les très petites particules de poussière. Le filtre peut être utilisé pour l'aspiration de déchets secs ou de petites quantités de liquide. Manipuler le filtre avec précaution lors de son nettoyage ou de son installation. Les plis du filtre peuvent être froissés pendant l'installation, mais cela n'aura aucune influence sur la performance du filtre.

Retrait et installation du filtre Qwik Lock™

Retrait du filtre :

1. Saisissez les deux languettes du filtre Qwik Lock™, une dans chaque main.
2. Placez un pouce sur le goujon Qwik Lock™, qui dépasse de la plaque de filtre intégrée, tirez sur les languettes du filtre et appuyez en même temps sur le goujon.
3. Cette action aura pour effet que le filtre sera relâché de la cage du filtre. Faites glisser le filtre pour le sortir de la cage.

IMPORTANT : pour éviter d'endommager le moteur et la roue de la soufflerie, toujours réinstaller le filtre avant d'utiliser l'aspirateur pour ramasser des matériaux secs.

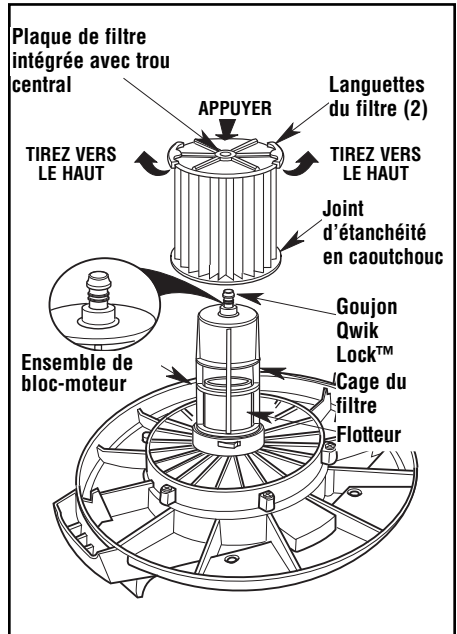
Installation du filtre :

1. Faites glisser délicatement le filtre Qwik Lock™ par-dessus la cage du filtre et appuyez sur le bord extérieur du filtre jusqu'à ce que le joint d'étanchéité en caoutchouc soit solidement installé autour de la base de la cage du filtre et contre l'ensemble de bloc-moteur.

2. Alignez le petit trou central sur le dessus du filtre au-dessus du goujon Qwik Lock™ sur la cage du filtre. Appuyez fermement sur le dessus du filtre, à proximité du goujon, pour permettre au filtre de s'emboîter sur l'embout sphérique du goujon. Le filtre est maintenant installé.

REMARQUE : si vous n'installez pas correctement le joint d'étanchéité du dessous, il est possible que des débris passent à côté du filtre.

⚠ AVERTISSEMENT : ne faites pas fonctionner sans la cage du filtre et le flotteur étant donné qu'ils empêchent l'entrée de liquide dans la roue et protègent ainsi le moteur contre les dommages pouvant en résulter.



Nettoyage du filtre

Il faut nettoyer souvent le filtre pour ne pas affecter la performance optimale de l'aspirateur.

ENTRETIEN (suite)

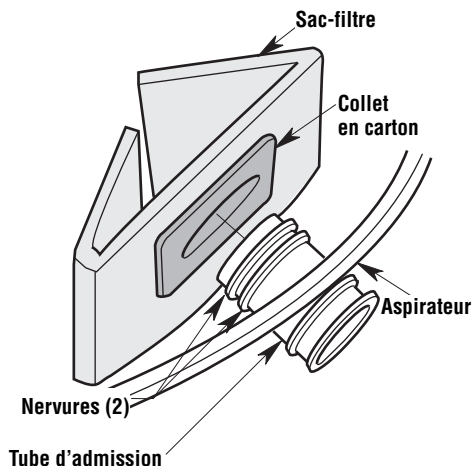
Sac-filtre

INSTRUCTIONS POUR L'INSTALLATION

Un sac-filtre peut être utilisé à la place du filtre à cartouche Qwik Lock™ ou en plus de celui-ci.

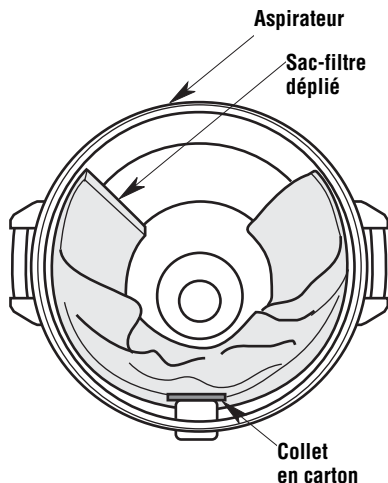
REMARQUE : un sac-filtre ou un filtre à cartouche doit être installé correctement lorsque vous ramassez des débris secs.

1. Un sac-filtre ne doit être utilisé que pour le ramassage de débris secs.
2. Le positionnement correct du collet en carton est nécessaire pour assurer l'étanchéité requise.
3. Localisez deux nervures sur le tube d'admission, à l'intérieur du tambour.
4. Faites glisser le collet en carton sur le tube d'admission et positionnez le collet en carton entre les deux nervures.
5. Après avoir installé le collet en carton de façon sécurisée, dépliez et positionnez le sac-filtre à l'intérieur du tambour, tel qu'illustré.



INSTRUCTIONS POUR LE RETRAIT

1. Faites glisser le collet en carton vers le centre du tambour de l'aspirateur.
2. Retirez le sac-filtre du tambour de l'aspirateur et jetez-le.
3. Installez un nouveau sac-filtre.



⚠ AVERTISSEMENT : pour vous protéger contre les risques pour la santé résultant de l'inhalation de vapeurs ou de poussière, n'aspirez pas de matières toxiques ou cancérigènes, ou d'autres matières dangereuses, comme l'amiante, l'arsenic, le baryum, le béryllium, le plomb, des pesticides ou d'autres matières dangereuses pour la santé.

⚠ MISE EN GARDE : pour éviter les débris épars, lors du ramassage de matériaux lourds ou tranchants, contrôler le volume de remplissage du sac et arrêtez l'aspiration avant que le sac ne soit trop plein.

Nettoyage d'un filtre sec

REMARQUE : pour obtenir les meilleurs résultats lors du nettoyage après l'accumulation de poussière, nettoyez le filtre dans un endroit non clos. Le nettoyage DOIT être effectué à l'extérieur – pas dans des locaux d'habitation.

1. Le retrait de certains débris secs peut être accompli sans enlever le filtre de l'aspirateur. Donner un coup avec la main sur la partie supérieure du couvercle pendant que l'aspirateur est à l'arrêt.
2. Retirer le filtre de l'aspirateur. Tapoter doucement le filtre contre la paroi intérieure du tambour à poussière. Les débris se détacheront et tomberont.
3. Pour un nettoyage complet d'un filtre sec couvert de particules fines (pas de débris), il est conseillé de placer le filtre sous un robinet comme indiqué à la rubrique « Nettoyage d'un filtre humide ».

Nettoyage d'un filtre humide

Une fois le filtre retiré, faites couler de l'eau au travers du filtre à l'aide d'un tuyau d'arrosage ou d'un robinet. Veillez à ce que la pression de l'eau sortant du tuyau d'arrosage ne soit pas si forte qu'elle pourrait endommager le filtre.

IMPORTANT : inspecter le filtre après le nettoyage pour s'assurer qu'il n'est pas déchiré ou troué. Ne pas utiliser un filtre déchiré ou troué. Même un petit trou peut permettre à beaucoup de poussière de sortir de l'aspirateur. Remplacer le filtre immédiatement dans ce cas.

Sécher toujours le filtre avant de le ranger ou de ramasser des débris secs.

Nettoyage et désinfection de l'aspirateur de liquides et de poussières

Pour conserver l'esthétique optimale de votre aspirateur de poussières et de liquides, nettoyez la surface extérieure de l'aspirateur à l'aide d'un chiffon imbibé d'eau tiède savonneuse.

Procédure de nettoyage du tambour :

1. Vider les débris.
2. Nettoyez soigneusement le tambour à poussière à l'aide d'un savon doux et d'eau tiède.
3. Essuyer avec un chiffon sec.

Avant de ranger l'aspirateur pour une période prolongée, ou dans les cas nécessaires (par exemple après l'aspiration d'eaux usées), vous devez désinfecter le tambour.

Pour désinfecter le tambour :

1. Versez un gallon (presque 4 litres) d'eau et une cuillerée à thé (5 mL) de produit à blanchir à l'eau de javel dans le tambour.
2. Laissez la solution agir pendant 20 minutes, en remuant doucement de temps à autre pour vous assurer que toutes les surfaces du tambour restent humides.
3. Videz le tambour au bout de 20 minutes. Rincez à l'eau jusqu'à ce que l'odeur d'eau de javel ait disparu. Laissez sécher le tambour complètement avant de sceller le moteur sur le tambour.

ENTRETIEN (suite)

Entretien du cordon d'alimentation

Quand vous aurez fini de passer l'aspirateur, débranchez le cordon et enroulez-le autour de l'ensemble de bloc-moteur. Si le cordon est endommagé, il doit être remplacé par le fabricant ou son représentant, ou par une autre personne ayant les compétences techniques nécessaires, afin de réduire le risque d'accident.

Rangement du cordon d'alimentation

Enroulez simplement le cordon d'alimentation autour de l'ensemble de bloc-moteur et enclenchez le connecteur sur la fiche pour sécuriser le cordon.

Rangement

Avant de ranger votre aspirateur, vous devez vider et nettoyer le tambour. Le cordon d'alimentation doit ensuite être enroulé autour de l'appareil et le tuyau doit être rangé de la façon décrite dans ce mode d'emploi. Les accessoires doivent être rangés à proximité de l'aspirateur de façon à pouvoir les trouver facilement. Ranger l'aspirateur à l'intérieur d'un bâtiment.


Roulettes

Si les roulettes sont bruyantes, vous pouvez mettre une goutte d'huile sur l'arbre porte-galet pour atténuer le bruit.

⚠ AVERTISSEMENT : pour assurer la **SÉCURITÉ** et la **FIABILITÉ** des produits, toutes les autres opérations d'entretien, de réparation et de réglage doivent être effectuées par des centres de service après-vente agréés, en utilisant toujours des pièces de rechange **WORKSHOP**.

⚠ AVERTISSEMENT

RÉPARATION DE L'ASPIRATEUR DE LIQUIDES ET DE POUSSIÈRES DOUBLEMENT ISOLÉ

Dans un aspirateur de liquides et de poussières doublement isolé, deux systèmes d'isolation sont fournis au lieu de la mise à la terre. Aucun moyen de mise à la terre n'est prévu sur un appareil électro-ménager doublement isolé, et il ne faut pas en ajouter. La réparation d'un aspirateur de liquides et de poussières doublement isolé nécessite une connaissance approfondie du système et la prise de précautions extrêmes. Une telle réparation ne doit être entreprise que par un technicien agréé. Les pièces de rechange pour un aspirateur de liquides et de poussières doublement isolé doivent être les mêmes que les pièces qu'elles remplacent. Les mots « **DOUBLE INSULATED** » (Doublement isolé) figurent sur l'aspirateur de liquides et de poussières doublement isolé, et le symbole  (un carré à l'intérieur d'un autre carré) peut également figurer sur les appareils.

Pour réduire le risque de blessures causées par les chocs électriques, débranchez le cordon d'alimentation avant de réparer les éléments électriques de l'aspirateur de liquides et de poussières.

⚠ AVERTISSEMENT : pour réduire le risque de blessures causées par les chocs électriques, débranchez le cordon d'alimentation avant de réparer les éléments électriques de l'aspirateur de liquides et de poussières.

⚠ AVERTISSEMENT : toutes les opérations de démontage et de réparation doivent être effectuées par des techniciens compétents.

GARANTIE LIMITÉE WORKSHOP®

La présente garantie limitée est offerte par Emerson Tool Company, une division d'Emerson Electric Co., établie à l'adresse indiquée ci-dessous (« **ETC** » ou « **nous** » ou « **notre** » ou « **nos** ») et elle s'applique à nos aspirateurs de liquides et de poussières de la marque WORKSHOP (collectivement, le « **Produit WORKSHOP®** »).

En cas de questions, ou si vous avez besoin d'assistance en ce qui concerne la garantie de votre Produit WORKSHOP, veuillez contacter le Département du service à la clientèle d'ETC pour les produits WORKSHOP au numéro d'appel gratuit ou à l'adresse figurant ci-dessous.

Garantie limitée WORKSHOP®

ETC, établie au 8100 W Florissant Ave., St. Louis, MO 63136, offre la garantie limitée suivante à l'acheteur original exclusivement (« **vous** » ou « **votre** ») sous réserve des exclusions décrites ci-dessous : votre Produit WORKSHOP ne comportera aucun défaut de matériau ou de fabrication en cas d'utilisation dans des conditions normales conformément aux dispositions du Mode d'emploi qui vous a été fourni avec le Produit WORKSHOP pendant une période de cinq (5) ans à compter de la date d'achat d'origine (la « **Période de garantie** »). La présente garantie limitée cesse de produire des effets si l'acheteur original cède le Produit WORKSHOP à une autre personne physique ou morale.

Ce qui n'est pas couvert - Exclusions de la garantie

La présente garantie limitée ne couvre pas et exclut expressément :

- L'usure normale et/ou les accessoires ou éléments amovibles tels que, sans toutefois s'y limiter, les cordons d'alimentation, les tuyaux flexibles, les filtres et tous autres accessoires ou éléments amovibles que nous pouvons mettre en vente pour emploi avec le Produit WORKSHOP.
- L'endommagement ou le claquage du moteur du Produit WORKSHOP causé par le fait qu'un blocage intervenu dans le cadre d'une utilisation normale n'aurait pas été éliminé.
- La destruction ou l'endommagement du Produit WORKSHOP pour des raisons au-delà du contrôle d'ETC, y compris, sans toutefois s'y limiter, un emploi inapproprié, un accident, une utilisation abusive, de la négligence, une faute (commise par une partie autre qu'ETC), un emploi excessivement intensif allant au-delà de la capacité nominale indiquée dans votre Mode d'emploi, ou des modifications ou des altérations effectuées par toute partie autre qu'ETC.
- La destruction ou l'endommagement du Produit WORKSHOP résultant du fait que le Produit WORKSHOP n'a pas été utilisé conformément aux instructions écrites, aux directives ou aux conditions générales énoncées dans le mode d'emploi.

Procédures de notification et de réclamation dans le cadre de la garantie limitée

Si, pendant la Période de garantie qui vous est applicable, vous découvrez que votre Produit WORKSHOP comporte un défaut qui, selon vous, est couvert par la présente garantie limitée, vous devez contacter le Département du service à la clientèle d'ETC pour les produits WORKSHOP au (888) 455-8724 entre les heures de 8h30 et de 16h30, Heure du Centre. Vous pouvez également contacter le Département du service à la clientèle d'ETC pour les Produits WORKSHOP à l'adresse courriel figurant dans votre mode d'emploi ou sur la page consacrée aux Produits WORKSHOP du site Internet d'ETC.

Pour que votre réclamation dans le cadre de la garantie puisse être traitée aussi rapidement que possible, nous vous suggérons de remplir la « Carte d'enregistrement » qui est mise à votre disposition sur la page consacrée aux Produits WORKSHOP du site Internet d'ETC à www.WORKSHOPvac.com. Si vous décidez de ne pas enregistrer votre Produit WORKSHOP, pour pouvoir faire une réclamation dans le cadre de la garantie, vous devrez nous fournir une copie de votre reçu ou un autre justificatif d'achat montrant la date de l'achat afin de confirmer que votre réclamation est effectuée avant la fin de la Période de garantie et que vous êtes l'acheteur original.

GARANTIE LIMITÉE WORKSHOP®

Ce que nous ferons pour remédier aux problèmes

Après que vous aurez contacté le Département du service à la clientèle d'ETC pour les produits WORKSHOP en appliquant les procédures ci-dessus, ETC déclenchera la procédure d'application de la garantie, y compris une inspection physique, sous réserve des exclusions et en tenant compte de la Période de garantie indiquée aux présentes, afin de déterminer s'il convient de réparer ou de remplacer le Produit WORKSHOP ou de vous rembourser le prix d'achat.

La décision de réparer ou de remplacer votre Produit WORKSHOP ou de vous en rembourser le prix d'achat est à notre discrétion absolue. La réparation ou le remplacement d'un Produit par ETC pour votre bénéfice ne vous coûtera rien si vous bénéficiez de la couverture de la présente garantie limitée. La couverture fournie en vertu de la présente garantie limitée ne s'applique, à tout moment, que si l'acheteur original respecte les procédures ci-dessous concernant la notification et la réclamation dans le cadre de la garantie limitée.

Si votre réclamation est couverte en vertu de la présente garantie limitée, nous nous engageons, à notre discrétion absolue, (a) à réparer ou à remplacer la partie défectueuse de votre Produit WORKSHOP ou (b) à remplacer la totalité de votre Produit WORKSHOP. Si nous ne sommes pas en mesure de mettre à votre disposition un produit WORKSHOP réparé de façon adéquate ou un Produit WORKSHOP de rechange, nous vous fournirons un remboursement d'un montant égal au prix d'achat de votre Produit WORKSHOP ou un crédit que vous pourrez utiliser pour acheter un nouveau Produit WORKSHOP.

Aucune autre garantie expresse ne s'applique

LES GARANTIES LIMITÉES FOURNIES CI-DESSUS SONT LES GARANTIES UNIQUES ET EXCLUSIVES FOURNIES PAR ETC À L'ACHETEUR ORIGINAL DU PRODUIT WORKSHOP, ET ELLE REMPLACE TOUTES LES AUTRES GARANTIES, ÉCRITES OU ORALES, EXPRESSES OU TACITES, QU'ELLES S'APPLIQUENT DE PLEIN DROIT OU AUTREMENT, Y COMPRIS, SANS TOUTEFOIS S'Y LIMITER, LES GARANTIES DE QUALITÉ MARCHANDE OU D'ADÉQUATION À UN BUT PARTICULIER, QUE LEDIT BUT AIT ÉTÉ DIVULGUÉ OU NON, ET QUE LE PRODUIT WORKSHOP AIT ÉTÉ CONÇU OU FABRIQUÉ SPÉCIFIQUEMENT POUR VOTRE EMPLOI OU POUR VOTRE BUT. LES REJETS DE GARANTIES TACITES, Y COMPRIS, SANS TOUTEFOIS S'Y LIMITER, LES GARANTIES TACITES DE QUALITÉ MARCHANDE ET D'ADÉQUATION À UN BUT PARTICULIER, N'ENTRERONT PAS EN VIGUEUR AVANT LA FIN DE LA PÉRIODE DE GARANTIE. Aucun employé, agent, distributeur ou autre personne n'est autorisé à altérer la présente garantie limitée ou à offrir une quelconque autre garantie au nom d'etc. Les dispositions de la présente garantie limitée ne peuvent être modifiées ni par ETC, ni par le propriétaire original, ni par leurs successeurs ou ayants droit respectifs.

Limitation de responsabilité

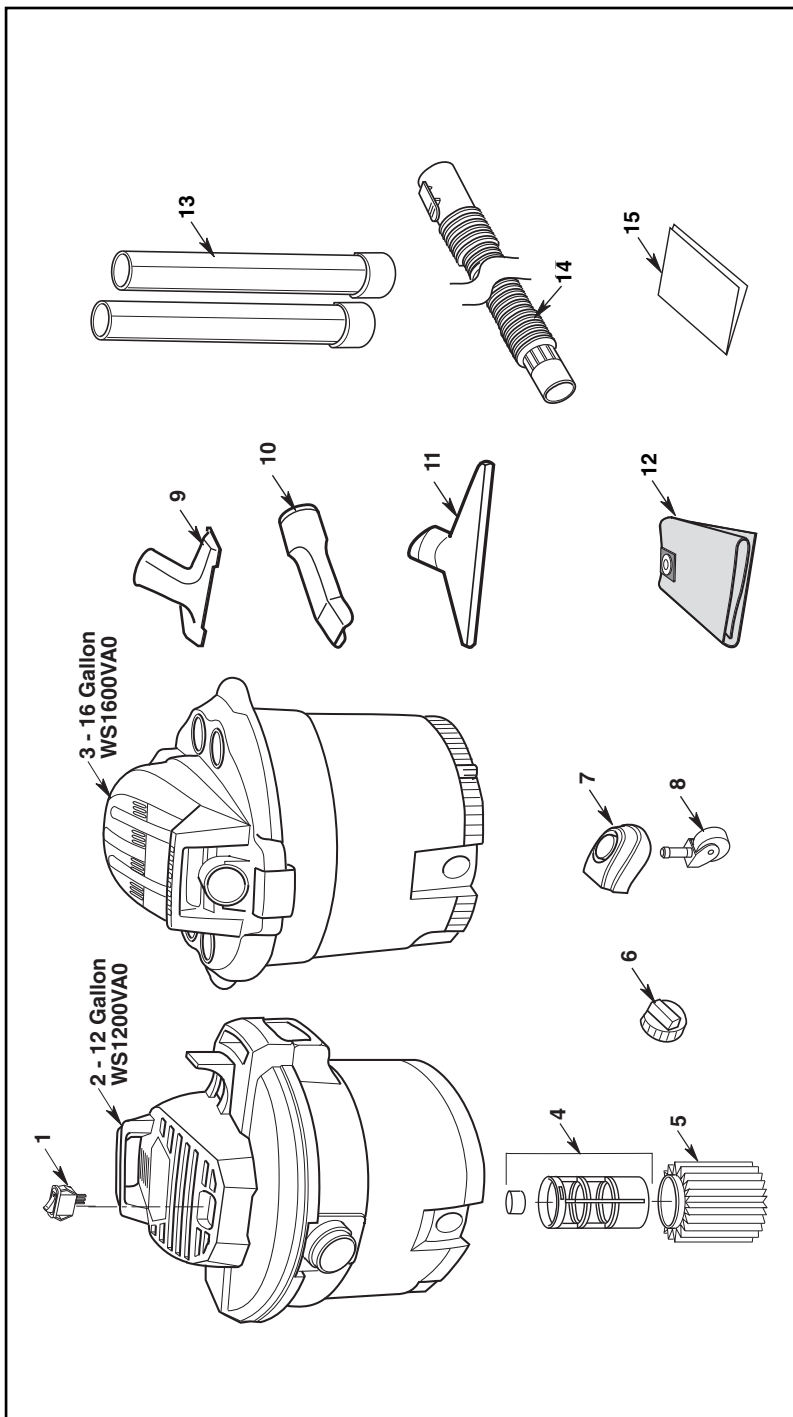
DANS LA MESURE AUTORISÉE PAR LA LOI, ETC NE SAURAIT EN AUCUN CAS ÊTRE RESPONSABLE DE QUELCONQUES DOMMAGES ACCESSOIRES, SPÉCIAUX, INDIRECTS OU SECONDAIRES, Y COMPRIS UNE QUELCONQUE PERTE MONÉTAIRE, QUE CE SOIT EN CONSÉQUENCE D'UNE IMPOSSIBILITÉ DE FAIRE FONCTIONNER OU D'UTILISER LE PRODUIT WORKSHOP, D'UNE UTILISATION INAPPROPRIÉE, DE L'INCAPACITÉ D'UTILISER LE PRODUIT WORKSHOP OU DE FAUTE DE LA PART D'ETC. ETC NE SERAIT ÊTRE RESPONSABLE DE PRÉJUDICES CAUSÉS PAR UN RETARD D'EXÉCUTION ET, EN AUCUN CAS, QUELLE QUE SOIT LA FORME DE LA REVENDICATION OU LA CAUSE DE L'ACTION (QU'ELLE SOIT DE NATURE CONTRACTUELLE OU QU'ELLE RÉSULTE D'UNE VIOLATION, D'UNE CONTREFAÇON, D'UNE FAUTE, D'UNE NÉGLIGENCE, D'UN CAS DE RESPONSABILITÉ SANS FAUTE OU QU'ELLE AIT UNE AUTRE BASE DÉLICTEUELLE OU QUASI-DÉLICTEUELLE), LA RESPONSABILITÉ D'ETC ENVERS VOUS OU TOUTE PERSONNE UTILISANT LE PRODUIT WORKSHOP NE SAURAIT DÉPASSER LE PRIX PAYÉ PAR LE PROPRIÉTAIRE ORIGINAL POUR LE PRODUIT WORKSHOP. L'expression « dommages indirects » inclura notamment, sans toutefois s'y limiter, la perte de bénéfices attendus, l'interruption des affaires, la perte d'utilisation ou de revenus, le coût du capital ou la destruction ou l'endommagement de biens ou équipements.

Étant donné que certains États ou certaines provinces ne permettent pas l'exclusion ou la limitation de dommages indirects ou secondaires, il est possible que la limitation ci-dessus ne s'applique pas à vous.

La présente garantie limitée vous confère des droits légaux particuliers, et il est possible que vous bénéficiiez d'autres droits qui varient d'un État à l'autre ou d'une province à l'autre.

THIS PAGE INTENTIONALLY LEFT BLANK

12/16 U.S. Gallon Wet/Dry Vac
Model Numbers: WS1200VA0 and WS1600VA0
www.WORKSHOPvacs.com



Repair Parts / Piezas de repuesto / Pièces de rechange

12/16 U.S. Gallon Wet/Dry Vac
Model Numbers: WS1200VA0 and WS1600VA0
www.WORKSHOPVacs.com
Always order by Part Number - Not by Key Number

Key No.	16 Gallon Part Number	12 Gallon Part Number	Description	Descripción	Description
1	73180	832086	Rocker Switch	Interruptor oscilante	Interrupteur à bascule
2	—	510206	12 Gallon Powerhead Assembly	Ensamblaje del cabezal del motor (12 galones)	Ensemble d'électrobrosse (12 gallons)
3	510207	—	16 Gallon Powerhead Assembly	Ensamblaje del cabezal del motor (16 galones)	Ensemble d'électrobrosse (16 gallons)
4	510205	510205	Filter Cage Assembly	Filtro de la jaula del filtro	Ensemble de cage de filtre
5	WS21200F	WS21200F	Standard Pleated Paper Filter	Filtro de papel plisado estándar	Filtre standard en papier accordéon
6	73185	73185	Drain Cap	Tapa del drenaje	Bouchon de vidange
7	828833	828833	Caster Foot w/Storage	Pata para ruedecilla con área de almacenamiento	Pied à roulettes avec compartiment de rangement
8	73102	73102	Caster	Ruedecilla	Roulette
9	WS25009A	WS25009A	Utility Nozzle	Boquilla utilitaria	Suceur à usages multiples
10	WS25003A	WS25003A	Car Nozzle	Boquilla para auto	Suceur pour véhicules
11	WS25010A	WS25010A	Wet Nozzle	Boquilla para mojado	Suceur humide
12	—	WS32200F	Dust Collection Bag	Bolsa de recolección de polvo	Sac de collecte de poussière
13	WS25008A	WS25008A	Extension Wands	Tubos de extensión	Baguettes de rallonge
14	WS25020A	WS25020A	2-1/2" x 7' Locking Hose	Maguera de fijación de 2-1/2" x 7'	Tuyau flexible verrouillable de 2-1/2" x 7'
15	SP6820	SP6820	Owner's Manual	Manual del usuario	Mode d'emploi



EMERSONTM

© 2018 Emerson

Part No. SP6820

Form No. SP6820-2

Printed in Mexico 06/18