

Rangaire

Product Installation & User Manual





Rangaire

Rangaire: 24" Electric Range | RRE241TS

Safety Requirements	1
<hr/>	
INSTALLATION REQUIREMENTS	9
Ventilation Requirements	9
Electrical Requirements	10
Parts Supplied	12
Tools and Parts	12
Range Dimensions	13
<hr/>	
INSTALLATION INSTRUCTIONS	14
Unpack Range	14
Install Leveling Feet and Back Panel	14
Install Anti-Tip Bracket	15
Electrical Connection	18
<hr/>	
Surface and Oven Cooking	21
Location Of The Burners	21
Description Of Symbols	21
Setting Surface Controls	22
Surface Cooking Utensils	23
Setting Oven Controls	24
Setting Oven Clock and Timer	25
Care and Cleaning	27
<hr/>	
Solutions To Common Problems	29



YOUR SAFETY AND THE SAFETY OF OTHERS ARE VERY IMPORTANT.
 We have provided many important safety messages in this manual and on your appliance.
 Always read and obey all safety messages.

	<p>This is the safety alert symbol. This symbol alerts you to potential hazards that can kill or hurt you and others. All safety messages will follow the safety alert symbol and either the word "DANGER", "WARNING" or "CAUTION".</p>
	<p>An imminently hazardous situation. You could be killed or seriously injured if you don't immediately follow instructions.</p>
	<p>A potentially hazardous situation which, if not avoided, could result in death or serious bodily injury.</p>
	<p>A potentially hazardous situation which, if not avoided, may result in moderate or minor injury.</p>
<p>All safety messages will tell you what the potential hazard is, tell you how to reduce the chance of injury, and tell you what can happen if the instructions are not followed.</p>	

 WARNING

- Remove all tape and packaging before using the appliance. Never allow children to play with packaging material. Do not remove the model/serial plate attached to the appliance.
- Be sure your appliance is properly installed and grounded by a QUALIFIED TECHNICIAN in accordance with the National Fuel Gas Code ANSI Z223.1—latest edition in the United States, or in Canada CAN/CGA B149.1, and CAN/CGA B149.2, and the National Electrical Code ANSI/NFPA No. 70—latest edition in United States, or in Canada CSA Standard C22.1, Canadian Electrical Code, Part 1, and local code requirements. Install only as per installation instructions provided in the literature package for this appliance.



⚠ WARNING



RANGE SAFETY

If the information in this manual is not followed exactly, a fire or explosion may result causing property damage, personal injury or death.

Do not store or use gasoline or other flammable vapors and liquids in the vicinity of this or any other appliance.

⚠ WARNING

Never Operate the Top Surface Cooking Section of this Appliance Unattended

Failure to follow this warning statement could result in fire, explosion, or burn hazard that could cause property damage, personal injury, or death.

If a fire should occur, keep away from the appliance and immediately call your fire department.

DO NOT ATTEMPT TO EXTINGUISH AN OIL/GREASE FIRE WITH WATER.



IMPORTANT SAFETY INSTRUCTIONS

WARNING

To reduce the risk of fire, electric shock, or serious personal injury, please read and save all instructions before using the Electric Freestanding Range. When using this or any other electrical appliance, basic safety precautions should be observed, including the following:

1. READ ALL INSTRUCTIONS BEFORE USE.
2. Have a qualified technician properly install and ground the appliance in accordance with the National Fuel Gas Code ANSI Z223.1- latest edition in the United States, or in Canada CAN/CGA B149.1, and CAN/ CGA B149.2, and the National Electrical Code ANSI/NFPA No. 70- latest edition in the United States, or in Canada CSA Standard C22.1, Canadian Electrical Code, Part 1, and local code requirements. Install only as per installation instructions provided in this manual.
3. This appliance is intended for household use only. DO NOT use the appliance outdoors or for any other purpose.
4. Remove all tape and packaging before using the appliance. DO NOT allow children to play with packaging material. DO NOT remove the model/series plate attached to the appliance.
5. To avoid the risk of electric shock, ALWAYS ensure the appliance is off and completely cool before cleaning or doing any sort of maintenance.
6. DO NOT store or use gasoline or other flammable vapors and liquids in the vicinity of this or any other appliance.
7. Installation and service must be performed by a qualified technician. Know how to disconnect the electrical power to the appliance at the circuit breaker or fuse box in case of emergency.
8. DO NOT repair or replace any part of the appliance unless specifically recommended in the manual. All other servicing should be done only by a qualified technician. This may reduce the risk of personal injury and damage to the appliance.
9. Disconnect power before servicing.
10. Never modify or alter the construction of the appliance by removing panels, wire covers or any other part of the appliance.
11. Injuries may result from the misuse of the appliance doors or drawers such as stepping, leaning, or sitting on the doors or drawers.

READ AND SAVE THESE INSTRUCTIONS

IMPORTANT SAFETY INSTRUCTIONS

12. Flammable materials should not be stored on or in the appliance or near surface units. This includes paper, plastic and cloth items, such as cookbooks, plastic ware and towels, as well as flammable liquids. Do not store explosives, such as aerosol cans, on or near the appliance. Flammable materials may explode and result in fire or property damage.
13. Keep range area clear and free from combustible materials, gasoline, and other flammable vapors and liquids.
14. DO NOT store items of interest to children in the cabinets above the appliance or on the backsplash of the range.
15. Children should not be left alone or unattended in the area when the appliance is in use. DO NOT allow children to climb or play around the appliance. They should never be allowed to sit or stand on any part of the appliance. Children climbing on the appliance to reach items could be seriously injured.
16. DO NOT TOUCH THE COOKING SURFACE, THE BURNERS, GRATES OR ANY AREAS NEAR THEM. Surface burners on appliance may be hot. Areas near surface burners or appliance may become hot enough to cause burns. DO NOT touch or let clothing or other flammable materials touch these areas during or after use until it has had sufficient time to cool.
17. DO NOT wear loose-fitting or hanging garments while using the appliance. DO NOT let clothing or other flammable materials contact hot surfaces.
18. DO NOT use water on grease fires. Never pick up a flaming pan. Smother grease fires with a pan lid, baking soda, a dry chemical or foam-type extinguisher.
19. If there is a fire in the oven while baking, smother the fire by closing the oven door and turning the oven off or by using a dry chemical or foam-type extinguisher.
20. Use an extinguisher ONLY if:
 - a. You know you have a Class A, B, C extinguisher, and you already know how to operate it.
 - b. The fire is small and contained in the area where it is started.
 - c. The fire department is being called.
 - d. You can fight the fire with your back to an exit.
21. When heating fat or grease, watch it closely. Fat or grease may catch fire if allowed to become too hot. Use a deep fat thermometer whenever possible to monitor oil temperature.
22. To avoid spillovers and fires, use minimal amounts of oil when pan-frying in a shallow pan and avoid cooking frozen foods with excessive amounts of ice.

READ AND SAVE THESE INSTRUCTIONS

IMPORTANT SAFETY INSTRUCTIONS

23. Use only dry potholders. Moist or damp potholders on hot surfaces may result in burns from steam. DO NOT let potholders touch hot heating elements, the flame or burners. DO NOT use a towel or other bulky cloth instead of a potholder.
24. DO NOT heat unopened food containers. Buildup of pressure may cause the container to burst and result in injury.
25. Stepping, leaning or sitting on this appliance can result in serious injuries and also cause damage to the appliance.
26. DO NOT use this appliance as a space heater to heat or warm the room.
27. Know which knob controls which surface burner. The burner will begin to turn red when it is on, indicating it is heating up.
28. Clean the appliance regularly to keep all parts free of grease that could catch fire. Exhaust fan ventilation hoods and grease filters should be kept clean. DO NOT allow grease to accumulate on hood or filter. Greasy deposits in the fan could catch fire. When cooking food turn the hood fan on. Refer to hood manufacturer's instructions for cleaning.
29. To reduce the risk of burns, ignition of flammable materials, and spillage due to unintentional contact with the utensil, the handle of the utensil should be positioned so that it is turned inward, and does not extend over adjacent surface burners.
30. Never leave surface burners unattended at high heat settings. Boil overs cause smoke and greasy spillovers that may ignite, or a pan that has boiled dry may melt.
31. DO NOT use aluminum foil to line any part of the appliance. Use aluminum foil only to cover food during cooking. Improper installation of these liners may result in risk of electric shock or fire.
32. Only certain types of glass, glass/ceramic, ceramic, earthenware, or other glazed utensils are suitable for appliance service without breaking due to the sudden change in temperature. Check the manufacturer's recommendations for appliance use.
33. DO NOT use decorative surface burner covers. If a burner is accidentally turned on, the decorative cover will become hot and possibly melt. You will not be able to see that the burner is on. Burns will occur if the hot covers are touched. Damage may also be done to the range or burners because the covers may cause overheating. Air will be blocked from the burner and cause combustion problems.
34. Use the proper pan sizes. This appliance is equipped with surface units of different sizes. Select utensils having flat bottoms large enough to cover the surface unit. The use of undersized utensils will expose a portion of the surface heating unit to direct contact and may result in ignition of clothing. Proper relationship of utensil to the surface unit will also improve efficiency.
35. Ensure the anti-tip bracket is installed properly and engaged.

READ AND SAVE THESE INSTRUCTIONS

IMPORTANT SAFETY INSTRUCTIONS

36. Avoid scratching or hitting the glass door, range, or control panels. This may lead to glass breakage. DO NOT cook on an appliance with broken glass. Shock, fire, or cuts may occur.
37. Have the fan hood on when preparing flaming foods.

DANGER

Do not store items of interest to children in the cabinets above the appliance or on the backguard of a range. Children should not be left alone or unattended in the area where appliance is in use. Do not allow children to climb or play around the appliance. They should never be allowed to sit or stand on any part of the appliance. Children climbing on the appliance to reach items could be seriously injured.

READ AND SAVE THESE INSTRUCTIONS

WARNING

FOR YOUR SAFETY:

- Clean the appliance regularly to keep all parts free of grease that could catch fire. Exhaust fan ventilation hoods and grease filters should be kept clean. Do not allow grease to accumulate on hood or filter. Greasy deposits in the fan could catch fire. When cooking food turn the hood, fan on. Refer to hood manufacturer's instructions for cleaning.
- Utensil handles should be turned inward and not extend over adjacent surface burners. To reduce the risk of burns, ignition of flammable materials, and spillage due to unintentional contact with the utensil, the handle of the utensil should be positioned so that it is turned inward, and does not extend over adjacent surface burners.
- Never leave surface burners unattended at high heat settings. Boil overs cause smoke and greasy spillovers that may ignite, or a pan that has boiled dry may melt.
- Do not use aluminum foil to line any part of the appliance. Use aluminum foil only to cover food during cooking. Improper installation of these liners may result in risk of electric shock or fire.
- Only certain types of glass, glass/ceramic, ceramic, earthenware, or other glazed utensils are suitable for appliance service without breaking due to the sudden change in temperature. Check the manufacturer's recommendations for appliance use.
- Do not use decorative surface burner covers. If a burner is accidentally turned on, the decorative cover will become hot and possibly melt. You will not be able to see that the burner is on. Burns will occur if the hot covers are touched. Damage may also be done to the range or burners because the covers may cause overheating. Air will be blocked from the burner and cause combustion problems.
- Use the proper pan sizes. This appliance is equipped with surface units of different sizes. Select utensils having flat bottoms large enough to cover the surface unit. The use of undersized utensils will expose a portion of the surface heating unit to direct contact and may result in ignition of clothing. Proper relationship of utensil to the surface unit will also improve efficiency.

WARNING

TO REDUCE THE RISK OF TIPPING OF THE RANGE, THE RANGE MUST BE SECURED BY PROPERLY INSTALLED ANTI-TIP DEVICES. TO CHECK IF THE DEVICES ARE INSTALLED PROPERLY, SLIDE RANGE FORWARD, LOOK FOR ANTI-TIP BRACKET SECURELY ATTACHED TO FLOOR OR WALL, AND SLIDE RANGE BACK SO REAR RANGE FOOT IS UNDER ANTI-TIP BRACKET.

IMPORTANT

The range will not tip during normal use. However, the range can tip if you apply too much force or weight to the open door without having the anti-tip bracket fastened down properly.

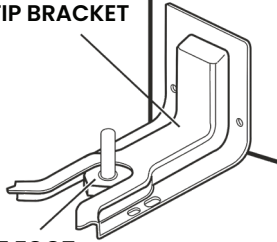
⚠ DANGER



TIP-OVER HAZARD

- A child or adult can tip the range and be killed.
- Install anti-tip bracket to floor or wall per installation instructions.
- Slide range back so rear range foot is engaged in the slot of the anti-tip bracket.
- Re-engage the anti-tip bracket if range is moved.
- Do not operate the range without anti-tip bracket installed and engaged.
- Failure to follow these instructions can result in death or serious burns to children and adults

ANTI-TIP BRACKET



RANGE FOOT

Making sure the anti-tip bracket is installed:

- Slide range forward.
- Look for the anti-tip bracket securely attached to floor and wall.
- Slide range back so rear range foot is under anti-tip bracket.

⚠ WARNING

The range should have proper ventilation in order to keep the unit operating properly and maintain the temperature of immediate surroundings within safe limits. Check your local building codes as they may vary from the general rules outlined in this guide. It is recommended that a hood be installed above the range that is rated no less than 400 CFM. This will provide adequate ventilation for this range. Mounting distance of your ventilation is outlined by the manufacturer of your hood.



INSTALLATION REQUIREMENTS**VENTING REQUIREMENTS**

- Observe all governing codes and ordinances. Do not obstruct flow of combustion and ventilation air.
- It is the installer's responsibility to comply with installation clearances specified on the model/serial rating plate.
- The range should be located for convenient use in the kitchen.
- Recessed installations must provide complete enclosure of the sides and rear of the range.
- To eliminate the risk of burns or fire by reaching over heated surface units, cabinet storage space located above the surface units should be avoided. If cabinet storage is to be provided, the risk can be reduced by installing a range hood or microwave hood combination with minimum 400 CFM that projects horizontally a minimum of 5" (12.7 cm) beyond the bottom of the cabinets. (See Figure 1)
- If a range hood is installed above the appliance, maintain a 30" minimum clearance between cooking surface and bottom of range hood. The range hood must be connected directly to flues or to the outside. (See Figure 1)
- Avoid placing cabinetry directly above the appliance when possible. If cabinetry is used above the cooking surface, use cabinets no more than 13" deep. Make sure the wall coverings, countertop and cabinets around the appliance can withstand heat up to 200° F (93°C) generated by the appliance. (See Figure 1)
- Cabinet opening dimensions that are shown must be used. Given dimensions are minimum clearances. (See Figure 1)
- Working areas adjacent to the range should have 18" minimum clearance between countertop and cabinet bottom. (See Figure 1)
- All openings in the wall or floor where range is to be installed must be sealed.
- Contact a qualified floor covering installer to check that the floor covering can withstand at least 200°F (93°C).
- Use an insulated pad or ¼" (0.64 cm) plywood under range if installing range over carpeting.
- The floor anti-tip bracket must be installed. To install the anti-tip bracket shipped with the range, see "Install Anti-Tip Bracket" section.
- Grounded electrical supply is required. See "Electrical Connection" section.

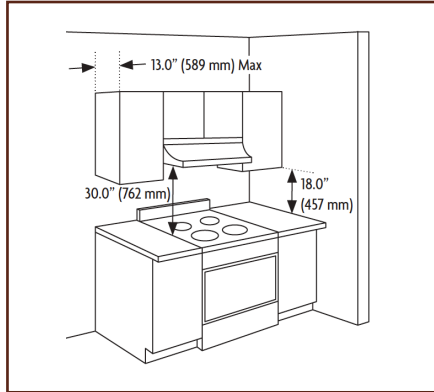


FIGURE 1

- Use cabinets no more than 13" deep.
- 18" minimum clearance between countertop and cabinet bottom.
- 30" minimum clearance between cooking surface and bottom of range hood.

⚠ WARNING

To avoid damage to your cabinets, check with your builder or cabinet supplier to make sure that the materials used will not discolor, delaminate or sustain other damage. This oven has been designed in accordance with the requirements of UL and CSA International and complies with the maximum allowable wood cabinet temperatures of 194°F (90°C).

MOBILE HOME - ADDITIONAL INSTALLATION REQUIREMENTS

- The installation of this range must conform to the Manufactured Home Construction and Safety Standard, Title 24 CFR, Part 3280 (formerly the Federal Standard for Mobile Home Construction and Safety, Title 24, HUD Part 280). When such standard is not applicable, use the Standard for Manufactured Home Installations, ANSI A225.1/NFPA 501A or with local codes.
- In Canada, the installation of this range must conform with the current standards CAN/CSAA240-latest edition, or with local codes.
- When this range is installed in a mobile home, it must be secured to the floor during transit. Any method of securing the range is adequate as long as it conforms to the standards listed above.

ELECTRICAL REQUIREMENTS

⚠ WARNING



**ELECTRICAL SHOCK
HAZARD**

Electrical Grounding Instructions

DO NOT USE AN EXTENSION CORD.

Failure to do so can result in death, fire or electrical shock.

- Any additions, changes or conversion required in order for this appliance to satisfactorily meet the application needs must be made by a qualified service technician in accordance with the manufacturer’s instructions and all codes and requirements of the authority having jurisdiction. Failure to follow the instructions could result in serious injury or property damage. The qualified agency performing this work assumes responsibility for the conversion.
- This appliance is not supplied with a plug. If you wish to install this appliance with a plug, it must be installed by a qualified service technician. The plug must be a 4-prong, 3- phase plug that is designed specifically for freestanding ranges.
- This appliance can be installed directly to the main (without a plug). To do so, follow instructions in the “Electrical Connection” section. If you wish to install this appliance directly to the main (without a plug), it must be installed by a qualified service technician.
- **DO NOT** operate this appliance using a 2-prong adapter or an extension cord. If a 2- prong wall receptacle is the only available outlet, it is the personal responsibility of the consumer to have it replaced with a properly grounded 4-prong wall receptacle installed by a qualified electrician.
- Severe shock, or damage to the range may occur if the range is not installed by a qualified installer or electrician.
- It is **220-240V/50-60Hz**. With recommendation to connect to a **50 Amp** power supply.
- Total Input Power is 11.7kw (48.75A). A dedicated circuit, protected by a minimum 50 amp time delay fuse or circuit breaker is required.
- For personal safety, the appliance must be properly grounded.
- See the “Installation Instructions” packaged with this appliance for complete installation and grounding instructions.



INSTALLATION REQUIREMENTS

Gather the required tools and parts before starting installation. Read and follow the instructions provided with any tools listed here.

Tools Needed:

<ul style="list-style-type: none"> • Tape Measure • Flat-Blade Screwdriver • Phillips Screwdriver • Level • Hand or electric drill • Wrench or Pliers 	<ul style="list-style-type: none"> • 1/8" flat blade screwdriver • 1/8" (3.2 mm) Drill Bit (for wood floors) • Marker or Pencil • 3/16" (4.8 mm) Carbide-Tipped Masonry Drill Bit (for concrete/ ceramic floors)
---	--

Parts Supplied:

<ul style="list-style-type: none"> • 2 - Oven racks • 1 - Grill Set: Basin & Anti-Splash • 6 - Knobs • 1 - Anti-Tip Bracket 	<ul style="list-style-type: none"> • 4 - Feet • 2 - Screws • 1 - Optional Backsplash
---	---

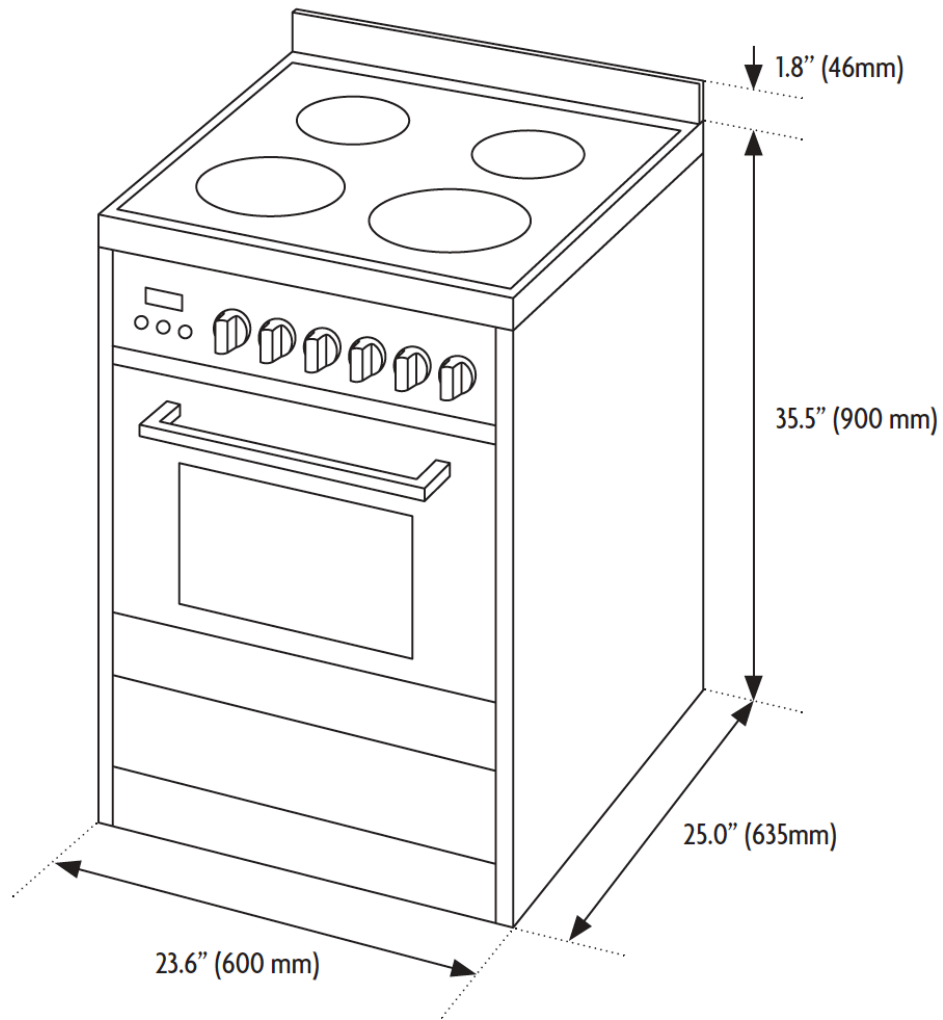
The anti-tip bracket must be securely mounted to the floor. Thickness of flooring may require longer screws to anchor bracket to subfloor.

RANGE DIMENSIONS

- Avoid placing cabinetry directly above the appliance when possible. If cabinetry is used above the cooking surface, use cabinets no more than 13" deep. Make sure the wall coverings, countertop and cabinets around the appliance can withstand heat up to 200° F (93°C) generated by the appliance. (See Figures 1 and 2)
- Cabinet opening dimensions that are shown must be used. Given dimensions are minimum clearances. (See Figures 1 and 2)
- Working areas adjacent to the range should have 18" minimum clearance between countertop and cabinet bottom. (See Figures 1 and 2)



FIGURE 2



This height measurement does not include leveling feet.



INSTALL LEVELING FEET AND BACK PANEL

⚠ WARNING

- Excessive Weight Hazard
- Tip Over Hazard
- A child or adult can tip the range and be killed.
- Use two or more people to move and install range.
- Failure to follow these instructions can result in death or serious burns to children and adults.

1 Remove shipping materials from the range. DO NOT remove protective film covering the appliance. DO NOT remove tape securing the drawer.

2 Remove oven racks and parts package from inside oven.

3 Place range on its back; take four (4) Lshaped cardboard corners from the carton. Stack one cardboard corner on top of another. Repeat with the other 2 corners.

4 Place the four (4) L-shaped cardboard corners lengthwise on the floor behind the range to support the range when it is laid on its back.

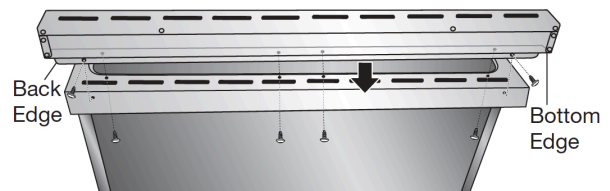
5 Using 2 or more people firmly grasp the range and gently lay it on its back on the cardboard corners.

6 Install the leveling feet one at a time. The leveling feet can be found in one of the boxes that was inside the oven.

7 Place cardboard or hardboard in front of range. Using 2 or more people, stand range back up onto cardboard or hardboard.

8 Remove the protective film covering the appliance. Remove tape securing the drawer.

9 The stainless steel back panel can now be installed. Align backsplash holes with holes at the edge of the stovetop, which extends past the back of the oven.



10 With one person holding the backsplash and working from underneath the extended rear edge, insert screws through the bottom of the backsplash. Tighten completely.

11 Insert the two screws on each side, through the back edge of the backsplash and into the cooktop. Tighten completely.



INSTALL ANTI-TIP DEVICE

⚠️ WARNING



- A child or adult can tip the range and be killed.
- Install anti-tip bracket to floor or wall per installation instructions.
- Slide range back so rear range foot is engaged in the slot of the anti-tip bracket.
- Re-engage the anti-tip bracket if range is moved.
- Do not operate the range without anti-tip bracket installed and engaged.
- Failure to follow these instructions can result in death or serious burns to children and adults

Contact a qualified floor covering installer for the procedure of drilling mounting holes through your type of floor covering.

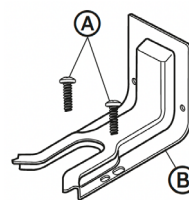
Assemble the required tools and parts before starting installation. Read and follow the instructions provided with any tools listed here.

IMPORTANT

- An anti-tip bracket is provided with the range. The anti-tip bracket uses a rear range foot to secure the range to the floor or wall.
- Attach the anti-tip bracket to the floor or wall so that the rear range foot will be centered within the bracket when the range is pushed into its final position.

- 1 Remove the anti-tip bracket and screws from the parts bag.

NOTE: The anti-tip bracket must be securely mounted to the subfloor or wall. The flooring's thickness may require longer screws to anchor bracket to subfloor.

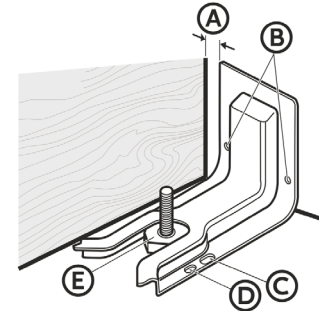


- A** 16 x 1 5/8" Screws (2)
- B** Anti-tip Bracket

2 Place the bracket so that the back of the bracket is against the rear wall and the side edge of the bracket is 3/8" to 1/2" from the adjacent cabinet.

NOTE: If there is no adjacent cabinet, place the bracket so that the edge of the bracket is 3/8" to 1/2" in from the range side panel. If the countertop overhangs the cabinet, offset the bracket from the cabinet by the depth of the overhang plus an additional 3/8" to 1/2".

3 Using the anti-tip bracket as a template, mark the two holes for either a Floor Wood, Floor Concrete, or Wall installation, as shown.



- (A) Distance from Adjacent Cabinet (3/8" to 1/2" [0.95 cm to 1.27 cm])
- (B) Wall Holes (C) Concrete Floor Holes (D) Wood Floor Holes
- (E) Rear Range Foot

4 Drill two pilot holes where marked. Follow the instructions specific to your construction.

NOTE: A nail or awl may be used to create a pilot hole, if a drill is not available. For concrete construction 1/4" x 1 1/2" Lag Bolts and 1/2" O.D. Sleeve Anchors are required.

Wood

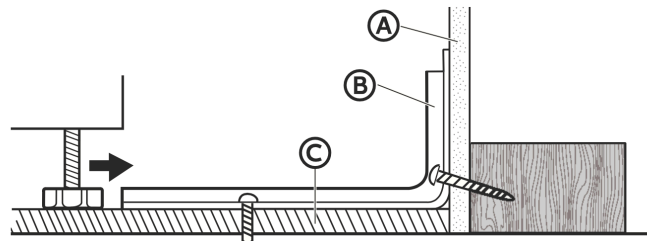
Floor: Drill a 1/8" pilot hole, as shown.

NOTE: Contact a qualified floor covering installer for the best procedure for drilling mounting holes through your type of floor covering.

Wall: Drill a 1/8" pilot hole, as shown.

Concrete

Drill the size hole recommended for the anchors into the concrete at the center of the holes identified as Floor Concrete or Wall.



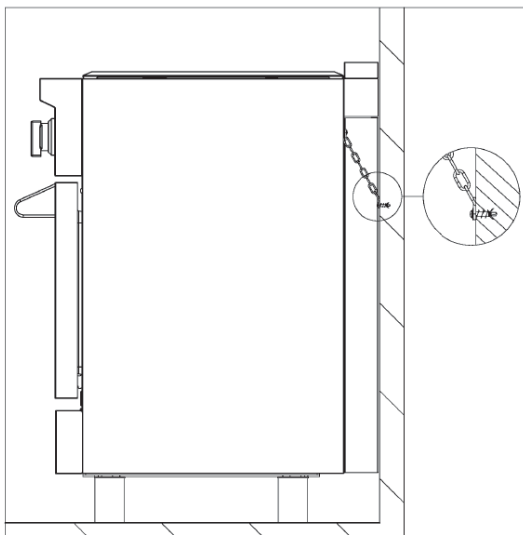
- (A) Wall
- (B) Anti-tip Bracket
- (C) Floor



5 Install the anti-tip bracket.

Wood	Using the two screws (provided) fasten the anti-tip bracket to the floor or wall. NOTE: The screw must enter wood or metal.
Concrete	Insert the sleeve anchor into the drilled holes and then insert the lag bolts through the anti-tip bracket and into the floor or wall. The bolts must be properly tightened as recommended for the hardware.

INSTALL ANTI-TIP CHAIN (WITH ROUND ADJUSTABLE LEGS)



- 1 Remove the anti-tip wall anchor hooks and screws from the parts bag.
- 2 Drill an adequate hole at similar chain level in the back wall.
- 3 Insert and screw in the wall anchor hooks until it is firmly secured to the wall.
- 4 After moving the range to its final position, connect the chain to the hook.

ELECTRICAL CONNECTION

⚠️ WARNING



ELECTRICAL SHOCK HAZARD

- Do not use an adapter
- Do not use an extension cord.
- Failure to follow these instructions can result in death, fire, or electrical shock.
- Electrical connection must be performed by a qualified service technician in accordance with the kit instructions and all local codes and requirements.

This appliance is not supplied with a plug and needs to be connected directly to the electrical mains.

If you wish to install this appliance with a plug, it must be installed by a qualified service technician. The plug must be a 4-prong, 3-phase power plug that is designed specifically for ranges and ovens.

**Electrical Requirements: 220-240V/50-60Hz.
With recommendation to connect to a 50 Amp power supply.**

ELECTRICAL SPECIFICATIONS

SYSTEM	WATTAGE
OVEN LIGHT	2 X 25 W
UPPER HEATING ELEMENT	2450 W / 1960 W
BOTTOM HEATING ELEMENT	1361 W
GRILL HEATING ELEMENT	2560 W
CONVECTION HEATING ELEMENT	1960 W
VENTILATOR MOTOR	20 W
COOLING FAN	22.5 W

INSTALLATION INSTRUCTIONS

WARNING

BEFORE MAKING THE ELECTRICAL CONNECTION, MAKE SURE THAT:

- The safety circuit-breaker and the electrical system are able to with stand the load of the appliance. See rating label on back of range.
- Rating plate is located on back of range should you need to verify any of the electrical requirements.
- The power supply system has a ground connection in good working order in accordance with the regulations in force.
- The electrical socket is easily accessible with the appliance installed. In all cases, the power supply lead must be positioned so that it does not reach a temperature of 50°C above the room temperature at any point.
- The manufacturer is not liable for any direct or indirect damage caused by faulty installation or connection. It is therefore necessary that all installation and connection operations are carried out by qualified personnel complying with the local and general regulations in force.

ELECTRICAL CONNECTION:

Follow these steps for teh 3-wire and 4-wire installation process.

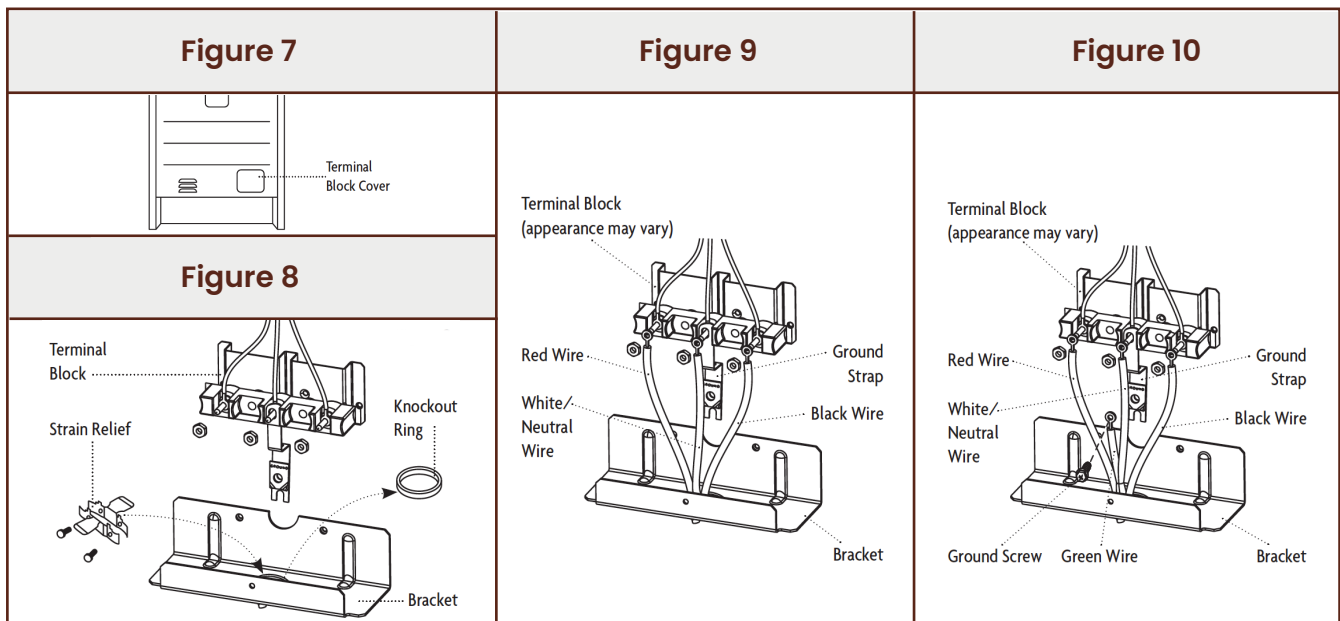
- ① Remove the wire cover on the back of the range by removing the two (2) screws using a Phillips screw driver.
NOTE: DO NOT discard these screws.
- ② Remove the knockout ring (1-3/8") located on bracket directly below the terminal block. To remove the knockout, use a pair of pliers to bend the knockout ring away from the bracket and twist until ring is removed.
- ③ Assemble the strain relief in the hole. Insert the power cord through the strain relief and tighten. Allow enough slack to easily attach the cord terminals to the terminal block. If tabs are present at the end of the winged strain relief, they can be removed for better fit.
NOTE: Do not install the power cord without a strain relief. The strain relief bracket MUST be installed before reinstalling the rear range wiring cover.

3-Wire Installation (Ground is through the neutral wire):

- ① Remove the 3 lower screws from the terminal block. Do not cut or remove the ground strap.
- ② Insert the 3 screws through each power cord terminal ring and back into the terminal block. Be certain the white/neutral wire is in the center. Securely tighten each screw (35 to 50 in-lbs.).
- ③ Replace wire cover on range back by sliding its left edge under the retaining tabs and replace the screws removed earlier. Make sure that no wires are pinched between cover and range back.

4-Wire Installation (Seperate ground wire):

- ① Remove the 3 lower screws from the terminal block. Remove the ground screw and ground plate and retain them.
- ② Cut the ground strap below the terminal block and discard the lower section.
- ③ Insert the ground screw through the ground plate (removed earlier) and back into the range frame. Tighten securely, but do not overtighten (15 to 20 in-lbs.)
- ④ Insert the 3 terminal screws through each power cord terminal ring and back into the terminal block. Be certain the white/neutral wire is in the center. Securely tighten each screw (35 to 50 in-lbs.).
- ⑤ Replace wire cover on range back by sliding its left edge under the retaining tabs and replace the screws removed earlier. Make sure that no wires are pinched between cover and range back.



SURFACE COOKING

LOCATION OF THE BURNERS

FIGURE 9	
	<p>(A) Single cooking zone - 2200W</p>
	<p>(B) Single cooking zone - 1200W</p>
	<p>(C) Single cooking zone - 1800W</p>
	<p>(D) Power & Residual Heat Warning Lights</p>

DESCRIPTION OF SYMBOLS

Back Left			Back Right
Front Left			Front Right

- BEFORE FIRST USE:**
- ① Before cooking for the first time the ceramic glass has to be cleaned. Remove any labels and protective sheeting.
 - ② Place a saucepan of water on each of the front burners and switch them on the high for at least 30 minutes.
 - ③ After 30 minutes switch the front burners off, place a saucepan of water on each of the rear and the center burners. Switch them on high for at least 30 minutes.
 - ④ This procedure is necessary in order to evaporate any protective oils and humidity that may have collected during the manufacturing process and it will enable the electronic control circuits to operate properly.



SETTING SURFACE CONTROLS	
FIGURE 11	
	<ol style="list-style-type: none"> 1 Turn the control knob to the desired position (low to high). 2 Adjustment is continuous so the cooking zone will operate at any intermediate setting between low and high. 3 Once the cooking zone is hot, the LED corresponding to the zone illuminates. 4 To switch off the cooking zone by turn the knob, in either direction to the ● "OFF" position. 5 The residual heat warning light remains illuminated when the temperature of the ceramic glass surface is hot and will switch off once the surface temperature has cooled.

SURFACE COOKING UTENSILS

⚠ WARNING

Do not place plastic items such as salt and pepper shakers, spoon holders or plastic wrappings on top of the appliance when it is in use. These items could melt or ignite. Potholders, towels or wood spoons could catch fire if placed too close to a heat.

NOTE:

Always use a utensil for its intended purpose. Follow manufacturer’s instructions. Some utensils were not made to be used in the oven or on the cooking surface.

- For best results and energy savings, only use pans suitable for electric cooking.
- The bottom of the pan must be very thick and perfectly flat.
- Before placing on the burner, make sure that the pan and burner, are perfectly clean and dry.
- To avoid scratching of the ceramic glass surface, never use cast-iron pans or pans with a rough bottom.

POT SIZES

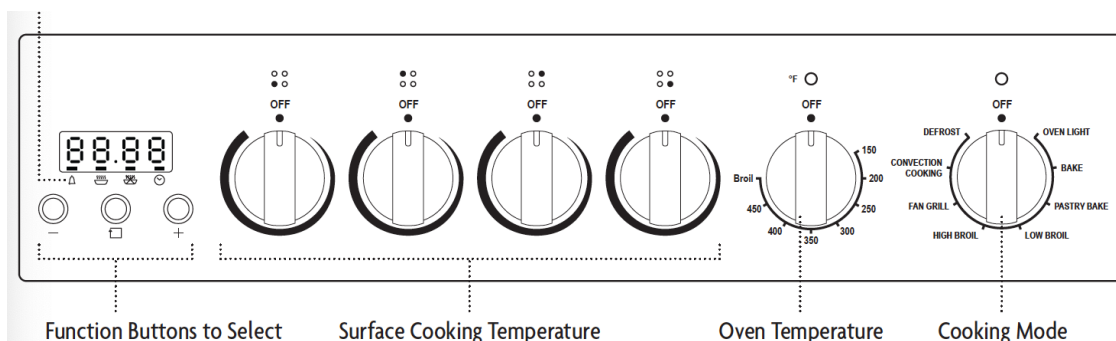
- To avoid wasting energy, make sure that the diameter of the pan bottom is 20mm bigger than the circle marked on the hotplate.
- The pot sizes stated in the table below are suitable for your ceramic surface. Solids pots and pans with flat bottoms are recommended for efficient cooking. (See Figure 9)

BURNER ZONE	ZONE DIAMETER	MINIMUM DIAMETER OF PAN
COOKING ZONE A	230MM (5 1/2 INCHES)	210MM (8 1/4 INCHES)
COOKING ZONE B	165MM (8 5/8 INCHES)	145MM (5 3/4 INCHES)
COOKING ZONE C	200MM (7 1/8 INCHES)	180MM (7 1/8 INCHES)



OPERATION INSTRUCTIONS

OVEN CONTROLLER



COOKING MODES

- Oven Light: Turns the oven light on when selected.
 - Bake: Used for traditional baking. The top and bottom heating elements are used along with natural thermal convection currents to distribute the heat. It is best to bake on only one shelf at a time using this function to ensure the best result.
 - Pastry Bake: Similar to Bake but this setting also has a fan to circulate hot air around the oven. This is ideal for food items that need a strong heat source on the bottom but still require some heat on the top, like pies, cakes, and tarts.
 - Low Broil: Perfect for browning dishes at the end of cooking. For optimal results, use in conjunction with the Broil temperature setting.
 - High Broil: Best for melting cheese, toasting and browning. This function should only be used for 5 minutes or less. For optimal results, use in conjunction with the Broil temperature setting.
 - Fan Grill: Utilizes a high heat grilling element and fan to circulate hot air throughout the oven. Ideal for cooking large cuts of meats so that they are moist inside and crisp on the outside. Use a thermometer to check the internal temperature.
- NOTE:** It is recommended to set the temperature no higher than 400°F.
- Convection Cooking: Utilizes the powerful heating element surrounding the fan to evenly distribute heat throughout the oven. This is great for multi-shelf cooking because the fan ensures each rack is heated.
 - Defrost: Circulates air at room temperature to defrost food.



DIGITAL CLOCK

1. Once the oven is connected to electrical power, the clock display will show "12:00" with the "■" symbol above "☺".
2. Press the "+" or "-" button to increase or decrease the number until it reaches the right time.
3. After 5 seconds the clock will start automatically or you can press the "□" button to make it work.

TIMER

TIMER SETTINGS

1. Press the "□" button repeatedly until the "■" symbol above "Δ" flashes.
2. Press "+" or "-" button until the time you wish shows on the display. The longest cooking time that can be set is 23 hours and 59 minutes.
3. After setting the proper time (hour/minute), the "■" symbol above the "Δ" begins to flash.
4. The time countdown begins.
5. When it reaches the set time, the "■" symbol above the "Δ" flashes, and the alarm will ring.
6. To stop the alarm ringing, press any button.

IMPORTANT

- The setting must be carried out in 5 seconds.
- If electricity fails suddenly, all the set procedure and the proper clock time (hour/minute) will disappear.
- After electrical power is on again, "12:00" and the square symbol above "☺" will show on the display, you will need to set it again.

FULL AUTOMATIC TIMER SETTING

1. Press the "□" button repeatedly until the "■" symbol above the "☺" flashes, and press "+" or "-" button to set how long oven needs to cook.
2. Press the "□" button repeatedly until the "■" symbol above the "☺" flashes, and press "+" or "-" button to set the time for oven to stop cooking and switch off.
3. Adjust knobs to select cooking mode and temperature.
4. The "■" symbols above the "☺" and "☺" will flash. It indicates the cooking timer has been set. The cooking will start and finish as per programmed into the timer.

For example, if the food is required to bake for 45 minutes, and it is supposed to stop at 2:00:

1. Press the "□" button repeatedly until the "■" symbol above "☺" flashes, and set the time of baking to 45 minutes.
2. Press the function button repeatedly until the "■" symbol above "☺" flashed, and set the finish of baking at "2:00".
3. The proper time (hour/minute) and the "■" symbol will show on the display. It indicates the setting of cooking timer has been set.

4. When the clock shows "1:15", the oven will switch on automatically and cooking will start.
5. During the cooking time, the "■" symbol will keep flashing.
6. When the clock shows "2:00", cooking will stop and the oven will switch off automatically, the alarm will ring, and the "■" symbol will flash.
7. To stop the alarm ringing, press any button.

SEMI-AUTOMATIC TIMER SETTING

• SETTING TIMER FOR HOW LONG TO COOK

1. Longest time that can be set is 10 hours maximum.
2. Press the "□" button repeatedly until the "■" symbol above "☰" flashes. Press "+" or "-" button and set the timer for how long the oven needs to cook.
3. Switch on the oven immediately, the "■" symbol above "☰" begins to flash.
4. Adjust knobs to select cooking mode and temperature.
5. When the full amount of time set has passed, the cooking will stop and the oven will switch off automatically.
6. The "■" symbol above "☰" will flash and the alarm will ring.
7. To stop the alarm ringing, press any button.

• SETTING THE TIMER WITH THE END TIME OF COOKING

1. Longest time that can be set is 23 hours and 59 minutes.
2. Press the "□" button repeatedly until the "■" symbol above "⌘" flashes. Press "+" or "-" button and set the time for oven to stop cooking.
3. Switch on the oven immediately, the "■" symbol above "⌘" begins to flash.
4. Adjust knobs to select cooking mode and temperature.
5. When it reaches the time set, cooking will stop and the oven will switch off automatically.
6. The "■" symbol above "⌘" flashes, and the alarm will ring.
7. To stop the alarm ringing, press any button.

NOTE: The set timer procedure could be seen by pressing any function button repeatedly at any time.

NOTE: By adjusting the end time of cooking to the current time, the set timer procedure can be cancelled.

CARE AND CLEANING

⚠️ WARNING

⚠️ DANGER



**ELECTRICAL SHOCK
HAZARD**

BURN HAZARD
 To avoid possible burns use care when cleaning the appliance. DO NOT attempt to clean the appliance whenever the oven or burner heads are still hot.
 To avoid possible burns DO NOT attempt any of the following cleaning instructions before turning OFF ALL of the surface burners and allowing them to cool.
IMPORTANT: Always follow label instructions on cleaning products.

CONTROL KNOBS

- For general cleaning, use hot, soapy water and a cloth.
- For more difficult soils and built-up grease, apply a liquid detergent directly onto the soil. Rinse with a damp cloth and dry.
- **DO NOT** use steel wool or acidic cleaners on the knobs as they can scratch.

STAINLESS STEEL

- Clean stainless steel with hot, soapy water and a dishcloth. Rinse with clean water and a cloth.
- Do not use cleaners with high concentrations of chlorides or chlorines. Do not use harsh scrubbing cleaners. Only use kitchen cleaners that are especially made for cleaning stainless steel.

INSIDE OVEN

- This appliance does NOT have a self-cleaning feature.
- **DO NOT** attempt to clean the appliance whenever the oven is still hot.
- Use an appropriate cleaning product designed specifically to clean the inside of ovens.
- **IMPORTANT:** Always follow label instructions on cleaning products.

STORAGE DRAWER

- Make sure drawer is cool and empty before cleaning.
- Use a mild detergent.

OVEN DOOR EXTERIOR

- Use a glass cleaner and a soft cloth or sponge.
- Apply glass cleaner to soft cloth or sponge, not directly on panel.



REMOVING AND CLEANING THE OVEN DOOR

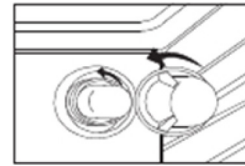
For normal range use, it is not suggested to remove the oven door. However, if removal is necessary, make sure the oven is off and cool. The oven door is heavy. Follow these instructions.

- Open the door fully.
- Lift up and push the small levers located on the two hinges all the way back.
- While holding the door on each side, shut the door until it touches the levers.
- Then continue closing the door until it is about 4 inches (10cm) from being fully closed.
- Pull the door towards you, pulling it out of its seat. Door will gently come away from the oven. (See Figure 15)
- To replace the door, perform the reverse of the above procedure.
- **Note:** If door does not come away from oven easily, do not force it.

FIGURE 15



FIGURE 16



⚠ WARNING



CHANGING THE INTERIOR OVEN LIGHT BULB

- Ensure that the appliance is switched off before replacing the lamp to avoid possible electric shock.
- Remove the glass cover by turning counter clockwise. (See Figure 16)
- Replace bulb with a high temperature bulb able to withstand 600 degrees and that meets the following criteria:
 - 240V
 - 25W
 - TYPE: E-14



SOLUTIONS TO COMMON PROBLEMS

IMPORTANT

Before calling for service, review this list. It may save you both time and expense. This list includes common experiences that are not the result of defective workmanship or material in your appliance.

⚠️ WARNING



ELECTRICAL SHOCK HAZARD

- Plug into a grounded 3 prong outlet.
- Do not remove ground prong.
- Do not use an adapter.
- Do not use an extension cord.
- Failure to follow these instructions can result in death, fire, or electrical shock.

NOTHING WILL OPERATE

- **Is the electrical supply disconnected?**

Verify that electrical wires are connected to the mains properly. See “Electrical Connection” section. If the problem continues, contact a qualified technician.

- **Household fuse blown or circuit breaker tripped?**

Replace the fuse or reset the circuit breaker. If the problem continues, contact a qualified technician.

SURFACE BURNERS WILL NOT OPERATE

- **Is the control knob set correctly?**

Push in knob before turning to a setting.

EXCESS HEAT AROUND COOKWARE ON COOKING SURFACE

- **Is the cookware the proper size?**

Use cookware about the same size as the surface cooking area, element or surface burner. Cookware should extend 20mm outside the cooking area.



COOKTOP COOKING RESULTS NOT WHAT EXPECTED

- **Is the proper cookware being used?**

See "Surface Cooking Utensils" section.

- **Is the control knob set to the proper heat level?**

See "Setting Surface Controls" section.

- **Is the range level?**

Level the range. See the "Unpack Range / Install Leveling Feet and Back Panel" section.

OVEN WILL NOT OPERATE

- **Are the oven controls set correctly?**

See "Setting Oven Controls" section.

COOLING FAN RUNS DURING BAKING AND BROILING

- **Is the cookware the proper size?**

It is normal for the fan to automatically run while the oven is in use and for some time after to cool.

OVEN TEMPERATURE TOO HIGH OR TOO LOW

- **Was the oven preheated?**

See "Cooking Instructions" section.

- **Are the racks positioned properly?**

See "Cooking Instructions" section.

- **Is there proper air circulation around bakeware?**

See "Cooking Instructions" section.

- **Is the batter evenly distributed in the pan?**

Check that batter is level in the pan.

- **Is the proper length of time being used?**

Adjust cooking time.

- **Has the oven door been opened while cooking?**

Oven peeking releases oven heat and can result in longer cooking times.

- **Are baked items too brown on the bottom?**

Move rack to higher position in the oven.

- **Are pie crust edges browning early?**

Use aluminum foil to cover the edge of the crust and/or reduce baking temperature.



Correct Disposal of this Product



This marking indicates that this appliance should not be disposed with other household wastes. To prevent possible harm to the environment or human health from uncontrolled waste disposal, recycle it responsibly to promote the sustainable resuse of material resources.