

# Operator's Manual



## ZERO-TURN RIDING MOWER WITH SMART LAWN TECHNOLOGY

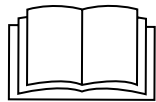


Model Nos. 247.20400\* & 247.20410\*

\* -- Last digit of model number varies

Safe Operation Practices .....	2	Off-Season Storage .....	27
Slope Gauge .....	6	Troubleshooting .....	28
Assembly .....	7	Español .....	29
Operation.....	11	Warranty/Service.....	See Separate Supplement
Service and Maintenance .....	17		

**NOTE:** This Operator's Manual covers several models. Features may vary by model. Not all features in this manual are applicable to all models and the model depicted may differ from yours.



**This product has a low emission engine which operates differently from previously built engines. Before you start the engine, read and understand this Craftsman Operator's Manual and the Engine Operator's Manual.**

### **⚠ CAUTION**

**Before using this equipment, read this manual and follow all safety rules and operating instructions.**

For answers to your questions about these products, call:

**1-888-331-4569**

**Craftsman Customer Hot Line**

**Sears Brands Management Corporation, Hoffman Estates, IL 60179 U.S.A.**

Visit our website: [www.craftsman.com](http://www.craftsman.com)

Form No. 769-11355B

(December 7, 2016)



# SAFETY INSTRUCTIONS

## WARNING

This symbol points out important safety instructions which, if not followed, could endanger the personal safety and/or property of yourself and others. Read and follow all instructions in this manual before attempting to operate this machine. Failure to comply with these instructions may result in personal injury. When you see this symbol, HEED ITS WARNING!

## WARNING

### CALIFORNIA PROPOSITION 65

Engine Exhaust, some of its constituents, and certain vehicle components contain or emit chemicals known to State of California to cause cancer and birth defects or other reproductive harm.

Battery posts, terminals, and related accessories contain lead and lead compounds, chemicals known to the State of California to cause cancer and reproductive harm. Wash hands after handling.

## DANGER

This machine was built to be operated according to the safe operation practices in this manual. As with any type of power equipment, carelessness or error on the part of the operator can result in serious injury. This machine is capable of amputating fingers, hands, toes and feet and throwing debris. Failure to observe the following safety instructions could result in serious injury or death.

## WARNING

**Your Responsibility**—Restrict the use of this power machine to persons who read, understand and follow the warnings and instructions in this manual and on the machine.

**SAVE THESE INSTRUCTIONS!**

## General Operation

- Read, understand, and follow all instructions on the machine and in the manual(s) before attempting to assemble and operate. Keep this manual in a safe place for future and regular reference and for ordering replacement parts.
- Be familiar with all controls and their proper operation. Know how to stop the machine and disengage them quickly.
- Never allow children under 14 years of age to operate this machine. Children 14 and over should read and understand the instructions and safe operation practices in this manual and on the machine and should be trained and supervised by an adult.
- Never allow adults to operate this machine without proper instruction.
- To help avoid blade contact or a thrown object injury, keep bystanders, helpers, children and pets at least 75 feet from the machine while it is in operation. Stop machine if anyone enters the area.
- Thoroughly inspect the area where the equipment is to be used. Remove all stones, sticks, wire, bones, toys, and other foreign objects which could be picked up and thrown by the blade(s). Thrown objects can cause serious personal injury.
- Plan your mowing pattern to avoid discharge of material toward roads, sidewalks, bystanders and the like. Also, avoid discharging material against a wall or obstruction which may cause discharged material to ricochet back toward the operator.
- Always wear safety glasses or safety goggles during operation and while performing an adjustment or repair to protect your eyes. Thrown objects which ricochet can cause serious injury to the eyes.
- Wear sturdy, rough-soled work shoes and close-fitting slacks and shirts. Loose fitting clothes and jewelry can be caught in movable parts. Never operate this machine in bare feet or sandals.
- Be aware of the mower and attachment discharge direction and do not point it at anyone. Do not operate the mower without the discharge cover or entire grass catcher in its proper place.
- Do not put hands or feet near rotating parts or under the cutting deck. Contact with the blade(s) can amputate hands and feet.
- A missing or damaged discharge cover can cause blade contact or thrown object injuries.
- Stop the blade(s) when crossing gravel drives, walks, or roads and while not cutting grass.
- Watch for traffic when operating near or crossing roadways. This machine is not intended for use on any public roadway.
- Do not operate the machine while under the influence of alcohol or drugs.
- Mow only in daylight or good artificial light.
- Never carry passengers.
- Back up slowly. Always look down and behind before and while backing to avoid a back-over accident. Be aware and pay attention to the safety system function that stops power to the blades when driving in reverse. If not functioning properly, contact an authorized dealer for safety system inspection and repair.
- Slow down before turning. Operate the machine smoothly. Avoid erratic operation and excessive speed.
- Disengage blade(s), set parking brake, stop engine and wait until the blade(s) come to a complete stop before removing grass catcher, emptying grass, unclogging chute, removing any grass or debris, or making any adjustments.
- Never leave a running machine unattended. Always turn off blade(s), place drive control levers in neutral, set parking brake, stop engine and remove key before dismounting.
- Use extra care when loading or unloading the machine into a trailer or truck. This machine should not be driven up or down ramp(s), because the machine could tip over, causing serious personal injury. The machine must be pushed manually on ramp(s) to load or unload properly.
- Muffler and engine become hot and can cause a burn. Do not touch.
- Check overhead clearances carefully before driving under low hanging tree branches, wires, door openings etc., where the operator may be struck or pulled from the machine, which could result in serious injury.

# SAFETY INSTRUCTIONS

- Disengage all attachment clutches, set the parking brake to the 'ON' position.
- Your machine is designed to cut normal residential grass of a height no more than 10". Do not attempt to mow through unusually tall, dry grass (e.g., pasture) or piles of dry leaves. Dry grass or leaves may contact the engine exhaust and/or build up on the mower deck presenting a potential fire hazard.
- Use only accessories and attachments approved for this machine by the machine manufacturer. Read, understand and follow all instructions provided with the approved accessory or attachment.
- Data indicates that operators, age 60 years and above, are involved in a large percentage of riding mower-related injuries. These operators should evaluate their ability to operate the riding mower safely enough to protect themselves and others from serious injury.
- If situations occur which are not covered in this manual, use care and good judgment. Contact your customer service representative for assistance.

## Slope Operation

Slopes are a major factor related to loss of control and tip-over accidents which can result in severe injury or death. All slopes require extra caution. If you cannot back up the slope or if you feel uneasy on it, do not mow it.

For your safety, use the slope gauge included as part of this manual to measure slopes before operating this machine on a sloped or hilly area. If the slope is greater than 15 degrees as shown on the slope gauge, do not operate this machine on that area or serious injury could result.

### Do:

- Mow across slopes, not up and down. Exercise extreme caution when changing direction on slopes.
- Watch for holes, ruts, bumps, rocks, or other hidden objects. Uneven terrain could overturn the machine. Tall grass can hide obstacles.
- Use slow speed. Choose a low enough speed so that you will not have to stop while on the slope. Avoid starting or stopping on a slope. If the tires are unable to maintain traction, disengage the blades and proceed slowly and carefully straight down the slope.
- Follow the manufacturer's recommendations for wheel weights or counterweights to improve stability.
- Use extra care with grass catchers or other attachments. These can change the stability of the machine.
- Keep all movement on the slopes slow and gradual. Do not make sudden changes in speed or direction. Rapid acceleration or deceleration could cause the front of the machine to lift and rapidly flip over backwards, which could cause serious injury.

### Do Not:

- Do not turn on slopes unless necessary; then turn slowly uphill and use extra care while turning.
- Do not mow near drop-offs, ditches or embankments. The mower could suddenly turn over if a wheel is over the edge of a cliff, ditch, or if an edge caves in.
- Do not try to stabilize the machine by putting your foot on the ground.
- Do not use a grass catcher on steep slopes.
- Do not mow on wet grass. Reduced traction could cause sliding.

- Do not tow heavy pull behind attachments (e.g. loaded dump cart, lawn roller, etc.) on slopes greater than 5 degrees. When going down hill, the extra weight tends to push the tractor and may cause you to lose control (e.g. tractor may speed up, braking and steering ability are reduced, attachment may jack-knife and cause tractor to overturn).

## Children

- Tragic accidents can occur if the operator is not alert to the presence of children. Children are often attracted to the machine and the mowing activity. They do not understand the dangers. Never assume that children will remain where you last saw them.
  - a. Keep children out of the mowing area and in watchful care of a responsible adult other than the operator.
  - b. Be alert and turn machine off if a child enters the area.
  - c. To avoid back-over accidents, always look behind and down for small children.
  - d. Never carry children, even with the blade(s) shut off. They may fall off and be seriously injured or interfere with safe machine operation.
  - e. Use extreme care when approaching blind corners, doorways, shrubs, trees or other objects that may block your vision of a child who may run into the path of the machine.
  - f. Keep children away from hot or running engines. They can suffer burns from a hot muffler.
  - g. Remove key when machine is unattended to prevent unauthorized operation.
- Never allow children under 14 years of age to operate this machine. Children 14 and over should read and understand the instructions and safe operation practices in this manual and on the machine and should be trained and supervised by an adult.

## Towing

- Tow only with a machine that has a hitch designed for towing. Do not attach towed equipment except at the hitch point.
- Follow the manufacturer's recommendation for weight limits for towed equipment and towing on slopes.
- Never allow children or others in or on towed equipment.
- On slopes, the weight of the towed equipment may cause loss of traction and loss of control.
- The maximum weight on the hitch is 50 lbs. and the maximum towed load is 250 lbs.
- Never allow passengers on the towed equipment.
- Loss of traction can occur on slopes, 5° (9 %) maximum grade.
- Travel slowly and allow extra distance to stop.
- Use caution during turns to avoid jack-knifing.
- Use extra caution when operating in reverse.
- Do not modify or repair the hitch, replace the hitch if damaged.
- Travel slowly and allow extra distance to stop.
- Do not shift to neutral and coast downhill.

# SAFETY INSTRUCTIONS

## Service

### Safe Handling of Gasoline:

- To avoid personal injury or property damage use extreme care in handling gasoline. **Gasoline is extremely flammable and the vapors are explosive.** Serious personal injury can occur when gasoline is spilled on yourself or your clothes which can ignite. Wash your skin and change clothes immediately.
  - a. Use only an approved gasoline container.
  - b. Never fill containers inside a vehicle or on a truck or trailer bed with a plastic liner. Always place containers on the ground away from your vehicle before filling.
  - c. When practical, remove gas-powered equipment from the truck or trailer and refuel it on the ground. If this is not possible, then refuel such equipment on a trailer with a portable container, rather than from a gasoline dispenser nozzle.
  - d. Keep the nozzle in contact with the rim of the fuel tank or container opening at all times until fueling is complete. Do not use a nozzle lock-open device.
  - e. Extinguish all cigarettes, cigars, pipes and other sources of ignition.
  - f. Never fuel machine indoors.
  - g. Never remove gas cap or add fuel while the engine is hot or running. Allow engine to cool at least two minutes before refueling.
  - h. Never over fill fuel tank. Fill tank to no more than ½" below bottom of filler neck to allow space for fuel expansion.
  - i. Replace gasoline cap and tighten securely.
  - j. If gasoline is spilled, wipe it off the engine and equipment. Move machine to another area. Wait 5 minutes before starting the engine.
  - k. To reduce fire hazards, keep machine free of grass, leaves, or other debris build-up. Clean up oil or fuel spillage and remove any fuel soaked debris.
  - l. Never store the machine or fuel container inside where there is an open flame, spark or pilot light as on a water heater, space heater, furnace, clothes dryer or other gas appliances.
  - m. Allow a machine to cool at least five minutes before storing.

### General Service

- Never run an engine indoors or in a poorly ventilated area. Engine exhaust contains carbon monoxide, an odorless, and deadly gas.
- Before cleaning, repairing, or inspecting, make certain the blade(s) and all moving parts have stopped. Disconnect the spark plug wire(s) and ground against the engine to prevent unintended starting.
- Periodically check to make sure the blades come to complete stop within approximately (5) five seconds after operating the blade disengagement control. If the blades do not stop within the this time frame, your machine should be serviced professionally by an authorized dealer.
- Regularly check the safety interlock system for proper function, as described later in this manual. If the safety interlock system does not function properly, have your machine serviced professionally by an authorized dealer.
- Check the blade(s) and engine mounting bolts at frequent intervals for proper tightness. Also, visually inspect blade(s) for damage (e.g., excessive wear, bent, cracked). Replace the blade(s) with the original equipment manufacturer's (O.E.M.) blade(s) only, listed in this manual. "Use of parts which do not meet the original equipment specifications may lead to improper performance and compromise safety!"

- Mower blades are sharp. Wrap the blade or wear gloves, and use extra caution when servicing them.
- Keep all nuts, bolts, and screws tight to be sure the equipment is in safe working condition.
- Never tamper with the safety interlock system or other safety devices. Check their proper operation regularly.
- After striking a foreign object, stop the engine, disconnect the spark plug wire(s) and ground against the engine. Thoroughly inspect the machine for any damage. Repair the damage before starting and operating.
- Never attempt to make adjustments or repairs to the machine while the engine is running.
- Grass catcher components and the discharge cover are subject to wear and damage which could expose moving parts or allow objects to be thrown. For safety protection, frequently check components and replace immediately with original equipment manufacturer's (O.E.M.) parts only, listed in this manual. "Use of parts which do not meet the original equipment specifications may lead to improper performance and compromise safety!"
- Do not change the engine governor settings or over-speed the engine. The governor controls the maximum safe operating speed of the engine.
- Maintain or replace safety and instruction labels, as necessary.
- Observe proper disposal laws and regulations for gas, oil, etc. to protect the environment.
- According to the Consumer Products Safety Commission (CPS) and the U.S. Environmental Protection Agency (EPA), this product has an *Average Useful Life* of seven (7) years, or 270 hours of operation. At the end of the *Average Useful Life* have the machine inspected annually by an authorized service dealer to ensure that all mechanical and safety systems are working properly and not worn excessively. Failure to do so can result in accidents, injuries or death.

### Do not modify engine

To avoid serious injury or death, do not modify engine in any way. Tampering with the governor setting can lead to a runaway engine and cause it to operate at unsafe speeds. Never tamper with factory setting of engine governor.

### Notice Regarding Emissions

Engines which are certified to comply with California and federal EPA emission regulations for SORE (Small Off Road Equipment) are certified to operate on regular unleaded gasoline, and may include the following emission control systems: Engine Modification (EM) and Three Way Catalyst (TWC) if so equipped.

When required, models are equipped with low permeation fuel lines and fuel tanks for evaporative emission control. California models may also include a carbon canister. Please contact Customer Support for information regarding the evaporative emission control configuration for your model.

### Spark Arrestor

#### **WARNING**

**This machine is equipped with an internal combustion engine and should not be used on or near any unimproved forest-covered, brushcovered or grass-covered land unless the engine's exhaust system is equipped with a spark arrestor meeting applicable local or state laws (if any).**















If a spark arrestor is used, it should be maintained in effective working order by the operator. In the State of California the above is required by law (Section 4442 of the California Public Resources Code). Other states may have similar laws. Federal laws apply on federal lands.

A spark arrestor for the muffler is available through your nearest engine authorized service dealer or contact the service department, P.O. Box 361131 Cleveland, Ohio 44136-0019.

# SAFETY INSTRUCTIONS

## Safety Symbols

This page depicts and describes safety symbols that may appear on this product. Read, understand, and follow all instructions on the machine before attempting to assemble and operate.

Symbol	Description
	<b>READ THE OPERATOR'S MANUAL(S)</b> Read, understand, and follow all instructions in the manual(s) before attempting to assemble and operate
	<b>DANGER — ROTATING BLADES</b> Never carry passengers. Never carry children, even with the blades off.
	<b>DANGER — ROTATING BLADES</b> Mowing in reverse is not recommended.
	<b>WARNING — ROTATING BLADES</b> Do not put hands or feet near rotating parts or under the cutting deck. Contact with the blade(s) can amputate hands and feet.
	<b>DANGER — ROTATING BLADES</b> Look down and behind before and while backing to avoid a back-over accident.
	<b>WARNING — THROWN OBJECTS</b> This machine may pick up and throw and objects which can cause serious personal injury.
	<b>DANGER — SAFETY DEVICES</b> Keep safety devices (guards, shields, switches, etc.) in place and working.
	<b>WARNING — BYSTANDERS</b> Keep bystanders, helpers, children and pets at least 75 feet from the machine while it is in operation.
	<b>WARNING — SLOPE OPERATION</b> Do not operate this machine on a slope greater than 15 degrees. Do not mow up and down slopes. Mow across slopes no greater than 15 degrees. Avoid sudden turns. Use low speed. If machine stops going uphill, stop blades and back down slowly.
	<b>WARNING — HOT SURFACE</b> Engine parts, especially the muffler, become extremely hot during operation. Allow engine and muffler to cool before touching.
	<b>DANGER — ROTATING BLADES</b> To reduce the risk of injury, keep hands and feet away. Do not operate unless discharge cover or grass catcher is in its proper place. If damaged, replace immediately.
	<b>WARNING — FIRE HAZARD</b> Allow machine to cool before fueling or storing.
	<b>WARNING — FIRE HAZARD</b> Do not drive through piles of dry leaves or tall grass.
	<b>WARNING — FIRE HAZARD</b> Do not allow debris to accumulate. The build up of debris can lead to a fire.

# SLOPE GAUGE

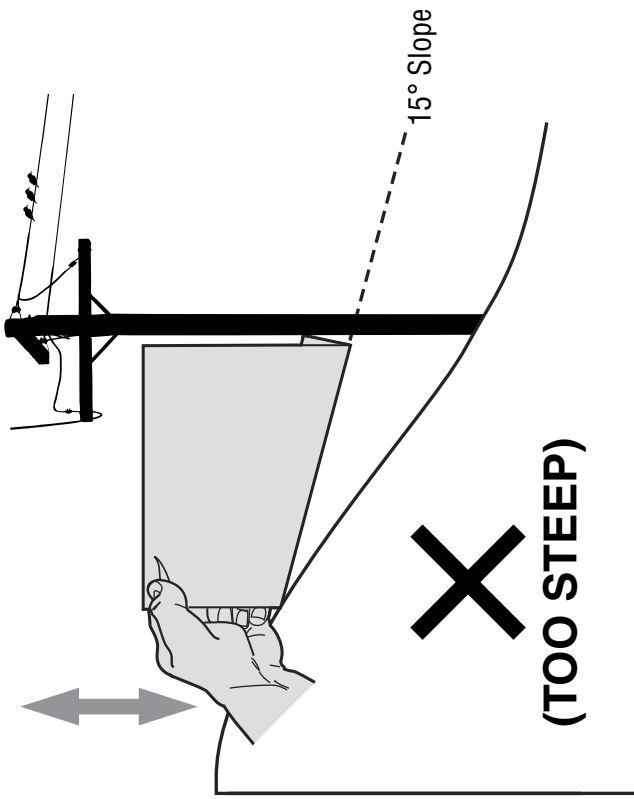


Figure 1

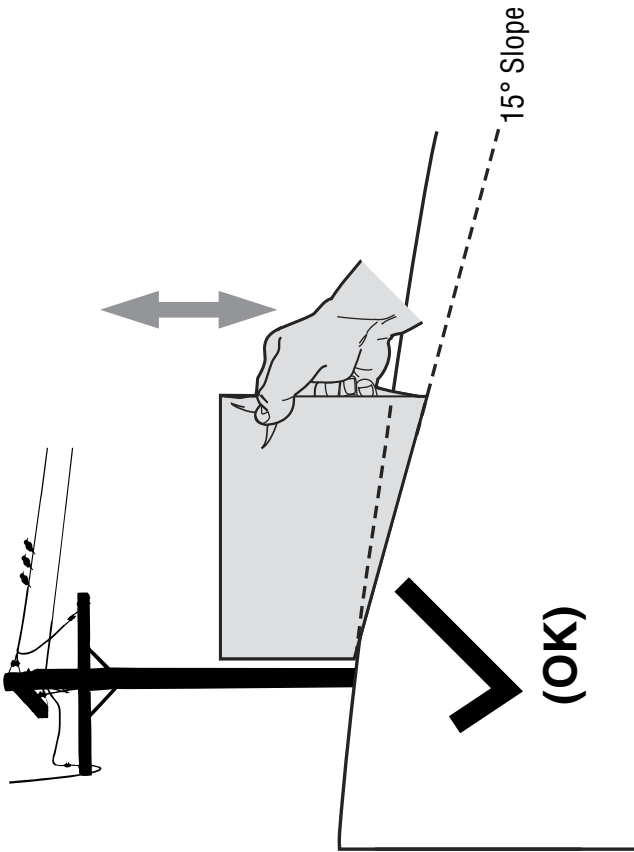


Figure 2

6

## USE THIS SLOPE GAUGE TO DETERMINE IF A SLOPE IS TOO STEEP FOR SAFE OPERATION!

To check the slope, proceed as follows:

1. Remove this page and fold along the dashed line.
2. Locate a vertical object on or behind the slope (e.g. a pole, building, fence, tree, etc.)
3. Align either side of the slope gauge with the object (See Figure 1 and Figure 2).
4. Adjust gauge up or down until the left corner touches the slope (See Figure 1 and Figure 2).
5. If there is a gap below the gauge, the slope is too steep for safe operation (See Figure 2 above).

*15° dashed line*

## ⚠ WARNING

Slopes are a major factor related to tip-over and roll-over accidents which can result in severe injury or death. Do not operate machine on slopes in excess of 15 degrees. All slopes require extra caution. If you cannot back up the slope or if you feel uneasy on it, do not mow it. Always mow across the face of slopes, never mow up and down the face of slopes.

# ASSEMBLY

## Contents of Crate

- One Zero-Turn Riding Mower
- One Engine Operator's Manual
- One Deck Wash Hose Coupler
- Two Hex Screws and Flat Washers
- One Operator's Manual

## Riding Mower Preparation

1. Remove the upper crating material from the shipping pallet, and cut any bands or tie straps securing the riding mower to the pallet.
2. If the deck is not in the highest mowing position (pulled all the way back), use the deck lift handle to raise the deck to its highest position. Refer to the Controls & Features section for instructions on raising and lowering the deck.
3. Disengage the parking brake.
4. Engage the transmission bypass rods on each side of the riding mower; then carefully roll the riding mower off the shipping pallet. The transmission bypass rods (one for each the RH and LH transmission) are located on the rear of the riding mower, just inside each rear wheel. Engage the bypass rods by pulling each one out and to the right then letting it return to lock it into place. See Figure 1.

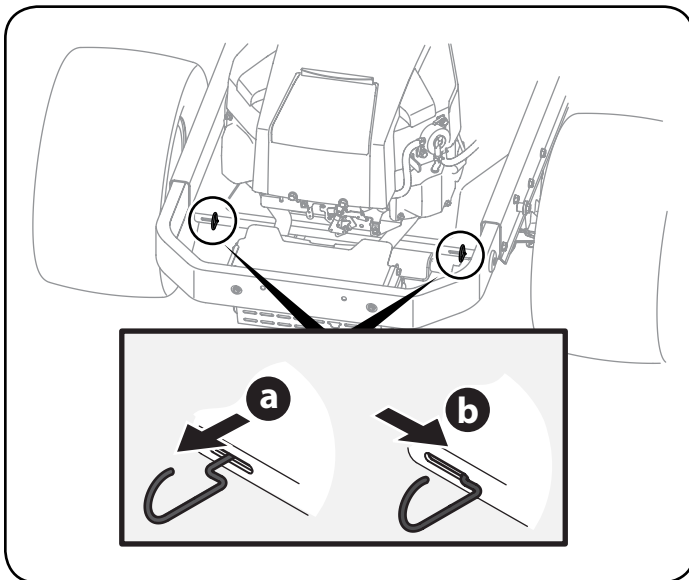


Figure 1

5. Disengage the bypass rods after rolling the riding mower off the pallet. See Figure 1.
6. Remove the deck wash hose coupler from the manual bag and store for future use.

## Steering Wheel Column

The steering wheel column is tilted all the way back for shipping. Place the steering column in one of the two positions and secure in place with the hex screws and flat washers packed separately. See Figure 2.

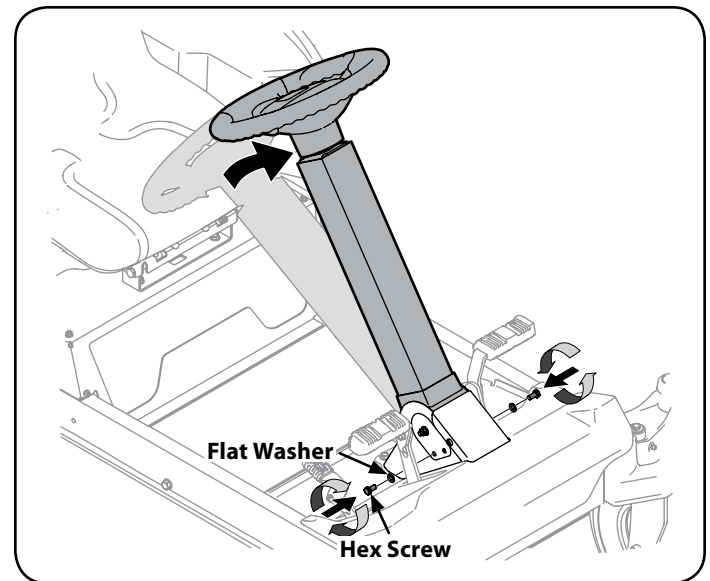


Figure 2

## Steering Wheel

1. Remove the hardware for attaching the steering wheel from beneath the steering wheel cap. Carefully pry off the steering wheel cover to remove the hardware.
2. With the wheels of the riding mower pointing straight forward, place the steering wheel over the steering shaft.

# ASSEMBLY

- Place the flat washer and belleville washer over the steering wheel and secure with the hex screw. See Figure 3.

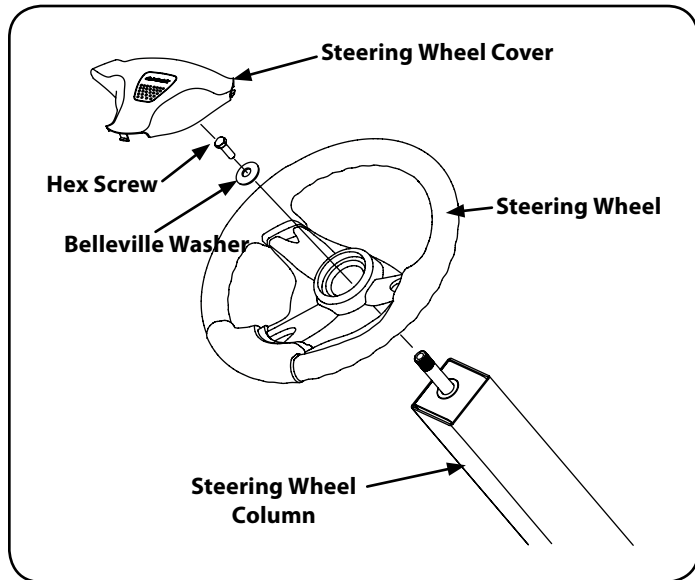


Figure 3

- Place the steering wheel cover over the center of the steering wheel and push downward until it “clicks” into place.

## Install Operator’s Seat

To install the seat proceed as follows:

**NOTE:** The seat is shipped with the seat switch and seat pan attached. A second person may be needed to hold the seat.

- Cut any straps securing the seat assembly to the riding mower. Remove any packing material.

**NOTE:** Be careful not to cut the wiring harness connecting the seat and the seat switch in the bottom of the seat.

- Remove the two shoulder screws and flange lock nuts in the seat pan as shown in Figure 4.

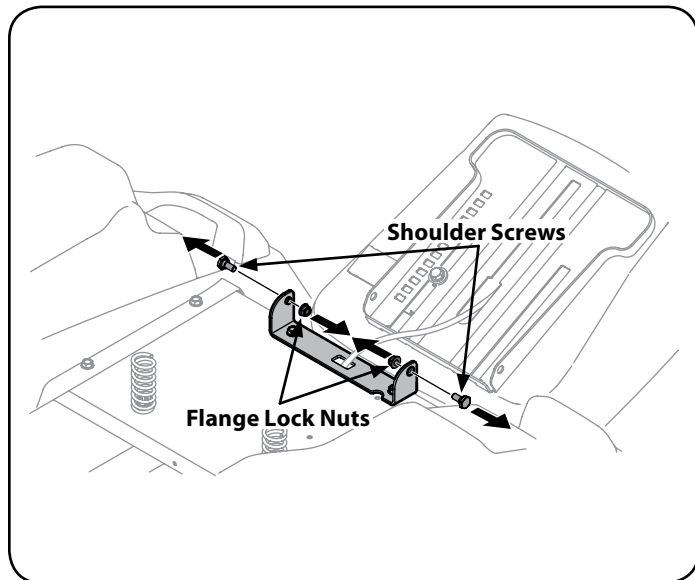


Figure 4

- Rotate the seat into position and secure the seat into place with the previously removed shoulder screws and flange lock nuts. Be careful not to crimp or damage the wire harness while installing the seat. See Figure 5.

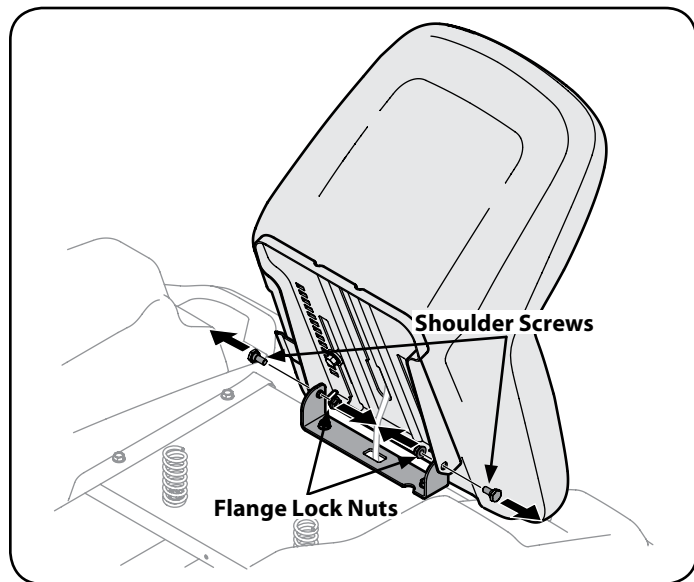


Figure 5

**NOTE:** Be sure to push the excess wire from the wire harness into the seat box hole before continuing.

## Lower Deck Discharge Chute Deflector

### ⚠ WARNING

Never operate the mower deck without the chute deflector installed and in the down position.

**NOTE:** For models with a 50" deck skip ahead to step 6.

- Remove the keys that are attached with a zip tie to the chute bracket.
- Remove the flange lock nut and hex screw from the deck.
- Place the chute deflector on the deck, be sure to insert the tabs on the chute deflector into the holes on the deck. See Figure 6.

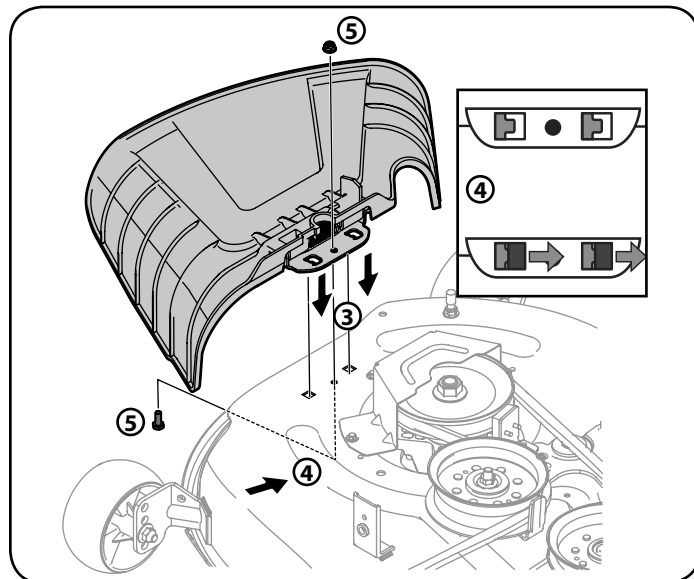


Figure 6

# ASSEMBLY

- When the tabs are installed in the deck, slide the chute deflector toward the rear of the riding mower until the bolt hole in the chute deflector aligns with the hole in the deck. See Figure 6.
- Secure the chute deflector in place with the flange lock nut and hex screw removed in step 2. Tighten to 102-124 in-lbs. See Figure 6.
- On models with a 50" deck the chute is shipped attached and with a stop bracket holding the chute upright. The stop brackets must be removed prior to operating the riding mower.
- Holding the chute deflector fully upward, remove the shipping brace. Lower the chute deflector and discard the shipping brace. See Figure 7.

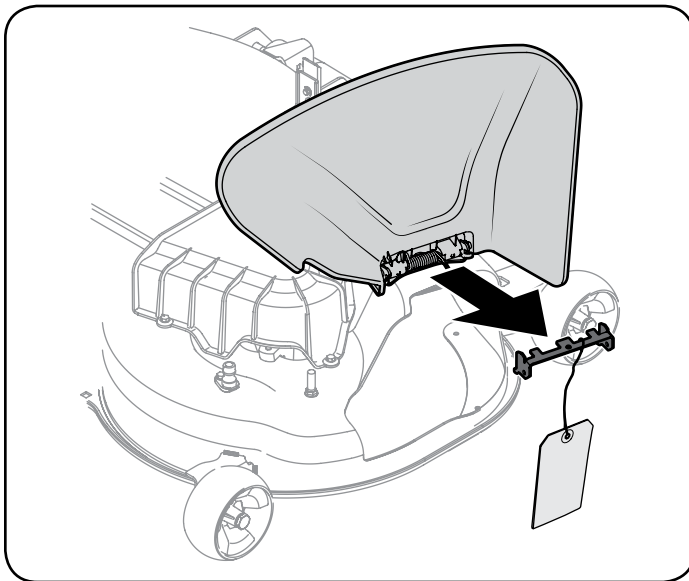


Figure 7

## Setting the Front Gauge Wheels

### ⚠ WARNING

Keep hands and feet away from the discharge opening of the cutting deck.

NOTE: The deck wheels are an anti-scalp feature of the deck and are not designed to support the weight of the cutting deck.

Move the riding mower on a firm and level surface, preferably pavement, and proceed as follows:

- Check the tire pressure, make sure the pressure is correct and equal on all tires.
- Make sure the deck is level, both front-to-back and side-to-side. See Adjustments in the Service and Maintenance section for deck leveling information and instructions.
- Select the height position of the cutting deck by placing the deck lift lever in the normally desired mowing height setting.
- Check the wheels for contact or excessive clearance with the surface below. The deck wheels should have between  $\frac{1}{4}$ " and  $\frac{1}{2}$ " clearance above the ground. Proceed as follows to adjust the wheels:

- Remove the lock nut securing one of the front gauge wheel shoulder screws to the deck. Remove the gauge wheel and shoulder screw. See Figure 8.

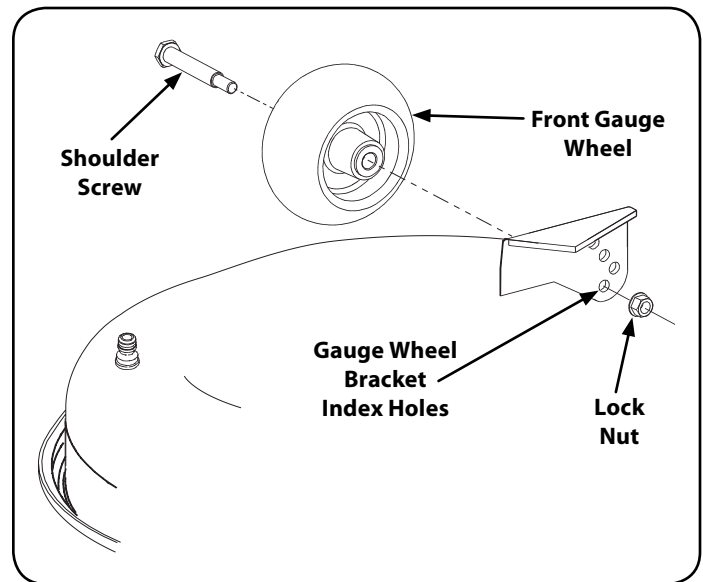


Figure 8

- Insert the shoulder screw into the one of four index holes in the front gauge wheel bracket that will give the gauge wheel a  $\frac{1}{4}$ - $\frac{1}{2}$ " clearance with the ground.
- Note the index hole of the just adjusted wheel, and adjust the other front gauge wheel into the respective index hole of the other front gauge wheel bracket.

NOTE: Refer to Adjustments in the Service and Maintenance section of this manual for more detailed instructions regarding various deck adjustments.

## Connecting the Battery Cables

### ⚠ WARNING

California **PROPOSITION 65 WARNING!** Battery posts, terminals, and related accessories contain lead and lead compounds, chemicals known to the State of California to cause cancer and reproductive harm. Wash hands after handling.

### ⚠ CAUTION

When attaching battery cables, always connect the POSITIVE (Red) wire to its terminal first, followed by the NEGATIVE (Black) wire.

For shipping reasons, both battery cables on your equipment may have been left disconnected from the terminals at the factory. To connect the battery cables, proceed as follows:

NOTE: The positive battery terminal is marked Pos. (+). The negative battery terminal is marked Neg. (-).

NOTE: If the positive battery cable is already attached, skip ahead to step 2.

# ASSEMBLY

1. Remove the plastic cover, if present, from the positive battery terminal and attach the red cable to the positive battery terminal (+) with the bolt and hex nut. See Figure 9.

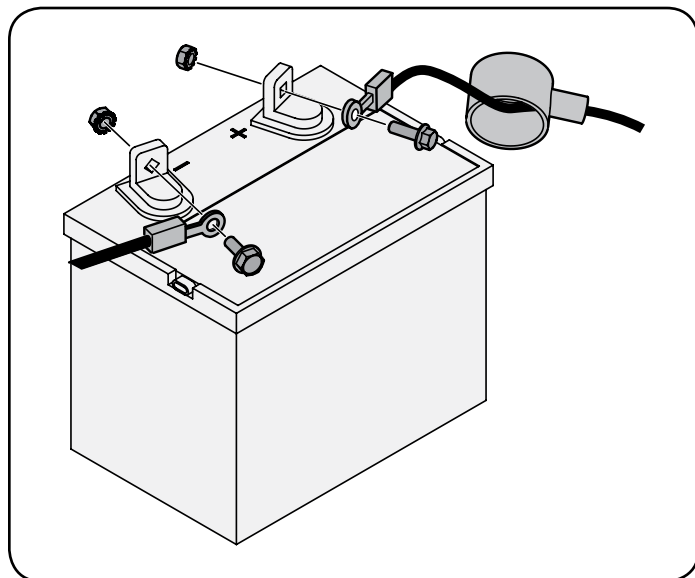


Figure 9

2. Remove the plastic cover, if present, from the negative battery terminal and attach the black cable to the negative battery terminal (-) with the bolt and hex nut. See Figure 9.
3. Position the red rubber boot over the positive battery terminal to help protect it from corrosion.

**NOTE:** If the battery is put into service after the date shown on top/side of battery, charge the battery as instructed in the Service and Maintenance section your Operator's Manual prior to operating the riding mower.

## Adjusting the Seat

To adjust the position of the seat, rotate the seat forward and locate the two adjustment knobs on the front of the seat pan. Refer to Figure 10.

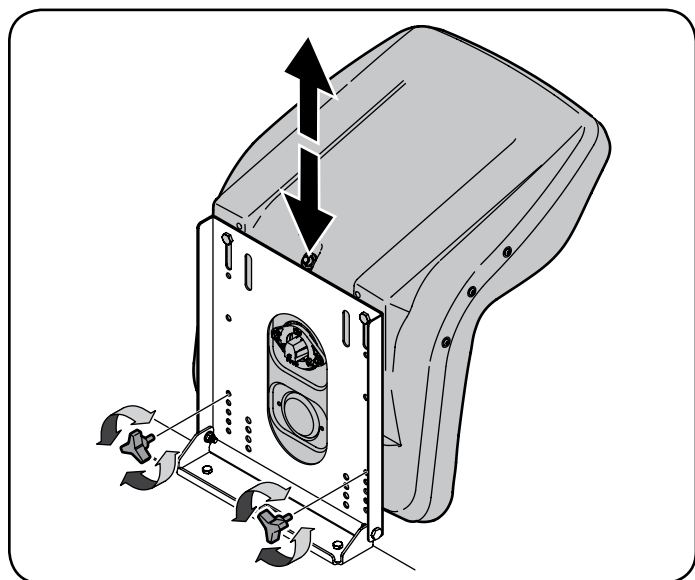


Figure 10

Rotate the clamp knobs to the left and remove them, slide the seat forward or backward and re-insert the clamp knobs into one of the four available positions on the seat pan and into the seat, then tighten securely. Make sure the seat is locked into position before operating the tractor. See Figure 10.

## Adding Fuel

### ⚠ WARNING

Use extreme care when handling gasoline. Gasoline is extremely flammable and the vapors are explosive. Never fuel the riding mower indoors or while the engine is hot or running. Extinguish cigarettes, cigars, pipes and other sources of ignition.

1. Be sure engine is outdoors and in a well-ventilated area.
2. Clean area around the fuel tank cap and remove the fuel tank cap.
3. Using an approved red GASOLINE container, add fuel slowly, being careful to avoid spilling.
4. Fill the tank until the fuel reaches the bottom of the fuel tank neck.
5. Replace the fuel cap and tighten securely. Wipe up spilled fuel before starting engine. If fuel is spilled DO NOT start engine. Move riding mower away from area of spillage. Avoid creating any source of ignition until fuel vapors are gone.

## Checking and Adding Oil

Your riding mower is shipped with oil in the engine. However, you MUST check the oil level before operating. Check and add the oil as instructed in your Engine Operator's Manual.

## Smart Lawn App Bluetooth® Activation



Take command of your lawn care with the Bluetooth® enabled Smart Lawn App from Craftsman. Maintenance tips, weather tracking and more — everything you need to keep the best yard on the block is now in one place.

Smart Lawn also provides step-by-step instructions and video tutorials to show you how to keep your riding mower running right. Plus, you can order the parts you need directly from the app. The app also tracks the charge of your riding mower battery, as well as the state of other key replacement components like oil, blade and air filter.

Connect your Bluetooth® enabled riding mower by downloading the FREE Craftsman Smart Lawn App to begin using all of the new connectivity features of your Craftsman rider! Download it for FREE from the App Store or Google Play (works with devices running iOS 9, Android 4.4 and later versions).

Once you've created your account, the app will prompt you to enter your riding mower's model number and serial number barcodes. Next it will attempt to connect with the riding mower via Bluetooth®.

Set your smartphone Bluetooth® setting to the 'ON' position. In order to sync your phone to the riding mower, turn on the engine, or turn the key to the 'ON' position. Remember to turn the key to the 'OFF' position after you connect so as not to drain the battery charge (if not running the riding mower).

If you have further questions, call our Craftsman help line at 1-888-331-4569.

# OPERATION

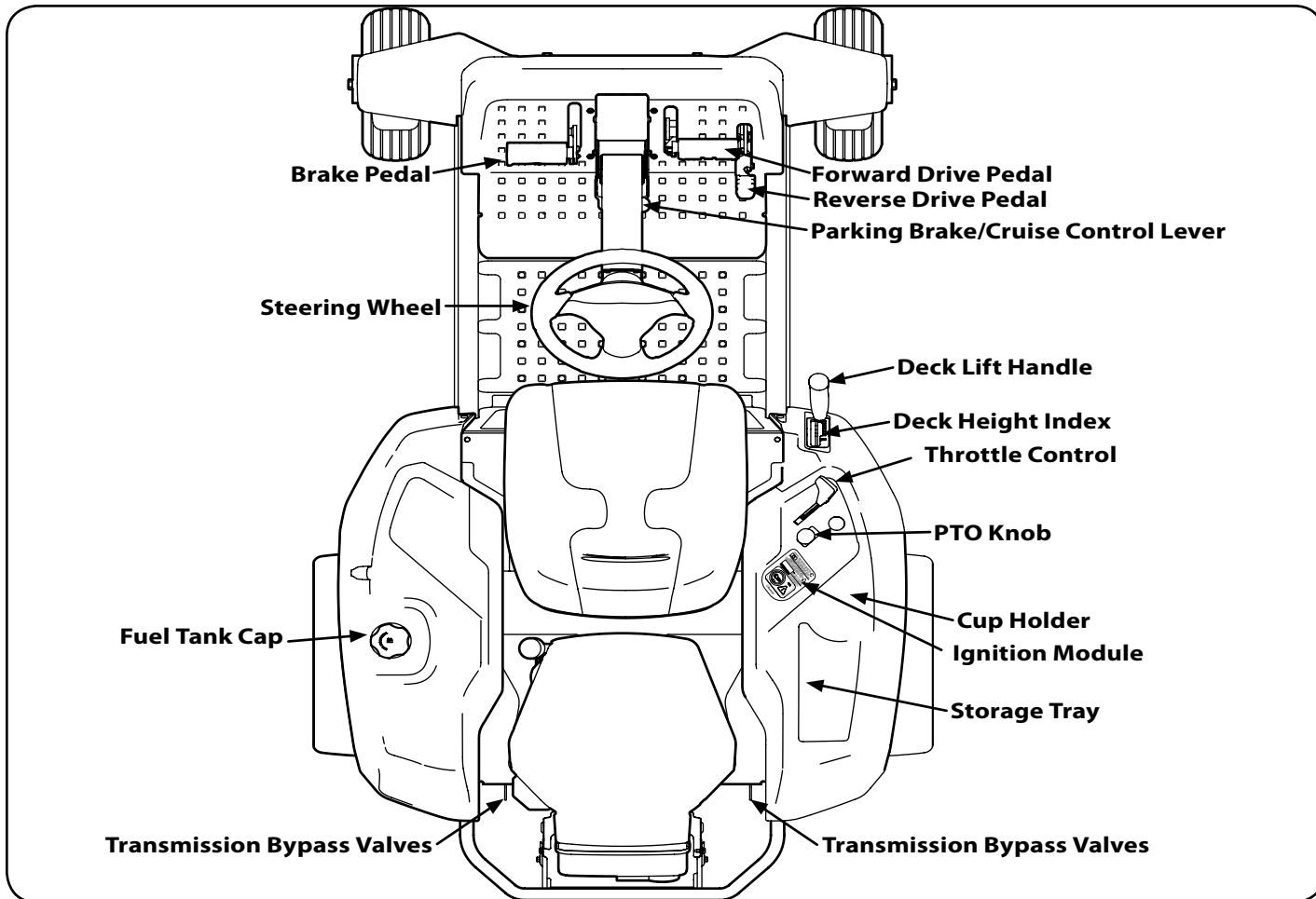


Figure 11

Now that you have set up your riding mower, it's important to become acquainted with its controls and features. Refer to Figure 11.

**NOTE:** References to LEFT, RIGHT, FRONT, and REAR indicate that position on the riding mower when facing forward while seated in the operator's seat.

## Deck Height Index

The deck height index consists of eight index notches located on the front/right of the console. Each notch corresponds to a 1/2" change in the deck height position ranging from 1-1/2" at the lowest notch to 4" at the highest notch.

## Deck Lift Handle

The deck lift handle is located on the front/right of the console, and is used to raise and lower the mower deck.

Pull the handle to the left out of the index notch and push downward to lower the deck, or pull upward to raise the deck. When the desired height is attained, move the lift handle to the right until fully in the index notch.

## Cup Holder

The cup holder is located on the RH console to the right of the operator's seat.

## Storage Tray

The storage tray is located at the rear of the RH console.

## PBS (Push Button Start)/Service Minder & Hour Meter w/ Bluetooth®

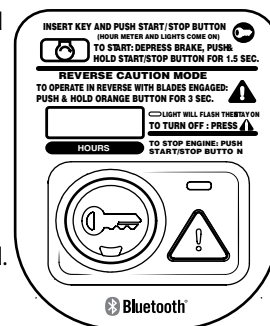
### ⚠ WARNING

Never leave a running machine unattended. Always disengage PTO, set parking brake, stop engine and remove the key.

To start the engine, insert the ignition key and depress for 1.5 seconds until the engine starts cranking. If the engine does not start after 5 seconds, a 3 second delay will occur. Release the key and press again to attempt to start.

**NOTE:** If the REVERSE CAUTION MODE button is depressed during starting, the starting sequence is aborted and needs to be restarted.

To stop the engine, press ignition key or remove the ignition key.



### ⚠ CAUTION

Prior to operating the riding mower, refer to both SAFETY INTERLOCK SWITCHES and STARTING THE ENGINE in this manual for detailed instructions regarding the Ignition Switch Module and operating the riding mower in REVERSE CAUTION MODE.



# OPERATION

When the ignition key is inserted and depressed for less than 1.5 seconds, the LCD Service Minder & Hour Meter will briefly display the battery voltage, followed by the riding mower's accumulated hours.

**NOTE:** Hours of tractor operation  are recorded only when the engine is running. If the riding mower is equipped with headlights, the lights will remain on until the riding mower is turned off.

## Smart Lawn App



The app's automated maintenance dashboard and log will help you keep your machine running at peak performance and protect your investment by tracking total hours across the lifetime of your equipment.

Receive alert notifications when it's time to perform essential maintenance tasks. Your dashboard provides real time monitoring and indicates when it's time for you to check or change the oil, air filter, blades or battery. The app also enables you to locate and contact service centers, access step-by-step instructions to perform routine maintenance and purchase replacement parts directly from your mobile device.

## Change Oil

The LCD will display the letters "CHG", followed by the letters "OIL" for two hours after the meter reaches 50 hours. This oil service minder interval will occur every 50 hours. Before the interval expires, change the engine oil as instructed in the Maintenance & Adjustments section of the Engine Operator's Manual.

## Low Oil (If so equipped)

The letters "LO" followed by the letters "OIL", then followed by the letters "PRESSURE" will indicate the riding mower is low on oil. When an engine is not running and immediately after the engine is started the oil pressure may be low. This can trigger the "LO" "OIL" text. This is normal. If the low oil indication persists stop the riding mower immediately and check the engine oil level as instructed in the Engine Operator's Manual.

**NOTE:** The "LOW OIL" function only works if the engine is equipped with an oil pressure switch.

## Low Battery/High Battery

At startup, the battery voltage is briefly displayed then changes to accumulated hours. The battery indicator will display, followed by the letters "LO" will display followed by the letters "BATT" is displayed on the LCD when the voltage drops below 11.0 volts. When this occurs, the battery is in need of a charge or the engine's charging system is not generating sufficient amperage. Charge the battery as instructed in the Service and Maintenance section of this manual or have the charging system checked by your local service dealer.

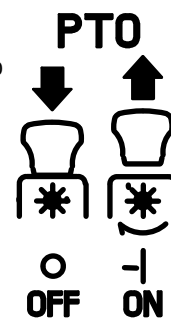
At startup, the battery voltage is briefly displayed then changes to accumulated hours. The battery indicator will display, followed by the letters "HI" will display followed by the letters "BATT" is displayed on the LCD when the voltage raises above 16.0 volts. When this occurs, have the charging system checked by your local service dealer.

## PTO Knob

The PTO (Power Take-Off) knob is located on the RH console to the right of the operator's seat.

The PTO knob operates the electric PTO clutch mounted on the bottom of the engine crankshaft. Pull the knob upward to engage the PTO clutch, or push the knob downward to disengage the clutch.

The PTO knob must be in the "disengaged" position when starting the engine.



## Fuel Tank Cap


The fuel tank cap is located on the left console. Turn the fill cap to remove. Always re-install the fuel cap tightly onto the fuel tank after removing.

### WARNING

Never fill the fuel tank when the engine is running. If the engine is hot from recently running, allow to cool for several minutes before refueling. Highly flammable gasoline could splash onto the engine and cause a fire.

## Throttle Control

The throttle control is located on the RH console to the left of the hour meter/indicator panel. When set in a given position, a uniform engine speed will be maintained.

Push the throttle control handle forward to increase the engine speed. The riding mower is designed to operate with the throttle control in the FAST  position (full throttle) when the riding mower is being driven and the mower deck is engaged.

Pull the throttle control handle rearward to decrease the engine speed.

**NOTE:** The engine is equipped with an Smart-Choke™ system, for best performance run the engine at full throttle.



## Forward Drive Pedal

The forward drive pedal is located on the right side of the riding mower, along the running board. Press the forward drive pedal forward to cause the riding mower to travel forward. Ground speed is also controlled with the forward drive pedal. The further forward the pedal is pivoted, the faster the riding mower will travel. The pedal will return to its original position when it's not pressed.



## Reverse Pedal

The reverse drive pedal is located on the right side of the riding mower along the running board. Ground speed is also controlled with the reverse drive pedal. The further downward the pedal is pivoted, the faster the riding mower will travel. The pedal will return to its original position when it's not pressed.

## Transmission Bypass Valves

The transmission bypass valves (one for each the RH and LH transmission) are located under the riding mower on the back of each transmission inside the rear wheels.

When engaged, the two valves open a bypass within the hydrostatic transmissions, which allows the riding mower to be pushed short distances by hand. Refer to the Assembly & Set-Up section for instructions on using the bypass feature.

# OPERATION

## Park Brake/Cruise Control Lock Pedal

### ⚠ WARNING

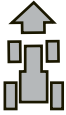
Never leave a running machine unattended. Always disengage PTO, set parking brake, stop engine and remove key to prevent unintended starting.

The park brake/cruise control lock pedal is located at the base of the steering column. It is used to engage the park brake when the riding mower is at rest. Engaging the lever while the riding mower is in motion allows the riding mower to remain at a constant ground speed without applying pressure to the forward drive pedal. Refer to the Operation section of this manual for detailed instructions regarding the parking brake as well as the cruise control feature.

**NOTE:** Cruise control can NOT be engaged at the riding mower's fastest ground speed. If the operator should attempt to do so, the riding mower will automatically decelerate to the fastest optimal mowing ground speed

**NOTE:** The park brake must be set if the operator leaves the seat with the engine running or the engine will automatically shut off.

CRUISE  
CONTROL



PARK  
BRAKE



## General Safety

- RECEIVE INSTRUCTION — Entirely read this operator's manual. Learn to operate this machine SAFELY. Do not risk INJURY or DEATH. Allow only those who have become competent in its usage to operate this riding mower.
- Before starting the engine or beginning operation, be familiar with the controls. The operator should be in the operator's seat. The PTO switch must be in the disengaged position and the parking brake engaged.
- Keep all shields in place. Keep away from moving parts.
- NO RIDERS! Keep all people and pets a safe distance away. Look behind and down to both sides of the riding mower before and while backing up.
- DO NOT direct the mower discharge at people.
- Avoid slopes where possible. Never operate on slopes greater than 15°. Slopes with a greater incline present dangerous operating conditions. Riding mowers can be rolled over.
- Before leaving the operator's seat shut off the PTO and engage the parking brake, shut off the engine and remove the ignition key. Wait for all movement to stop before servicing or cleaning.
- Avoid any sudden movements of the steering wheel when starting and stopping. Keep a firm grip on the steering wheel.
- Be careful when operating near roadways. Stop the riding mower motion and wait for vehicles to pass before operating along the road.
- Do not operate the riding mower with the mower deck removed. Removal of the deck will change the balance of the riding mower, and could contribute to a riding mower rollover.
- Avoid operation on traction surfaces that are unstable; use extreme caution if the surface is slippery.

- Slow down before turning and come to a complete stop before any zero turn maneuver.
- Do not stop the riding mower or park the riding mower over combustible materials such as dry grass, leaves, debris, etc.
- Do not fill the fuel tank when the engine is running or while the engine is hot. Allow the engine several minutes to cool before refueling. Tighten the fuel cap securely.

## Before Operating Your Riding Mower

- Before you operate the riding mower, study this manual carefully to familiarize yourself with the operation of all the instruments and controls. It has been prepared to help you operate and maintain your riding mower efficiently.
- This engine is certified to operate only on clean, fresh, unleaded regular gasoline. For best results, fill the fuel tank with only clean, fresh, unleaded gasoline with a pump sticker octane rating of 87 or higher.
- Unleaded gasoline is recommended because it leaves less combustion chamber deposits and reduces harmful exhaust emissions. Leaded gasoline is not recommended and must not be used where exhaust emissions are regulated.  
**NOTE:** Purchase gasoline in small quantities. Do not use gasoline left over from the previous season, to minimize gum deposits in the fuel system.
- Gasohol (up to 10% ethyl alcohol, 90% unleaded gasoline by volume) is an approved fuel. Other gasoline/alcohol blends are not approved.
- Methyl Tertiary Butyl Ether (MTBE) and unleaded gasoline blends (up to a maximum of 15% MTBE by volume) are approved fuels. Other gasoline/ether blends are not approved.
- Check the engine oil level.
- Clean the air cleaner element if necessary.
- Check the tire inflation pressures.
- Adjust the seat for operator's maximum comfort, visibility and for maintaining complete control of the riding mower.

## Safety Interlock System

This riding mower is equipped with a safety interlock system for the protection of the operator. If the interlock system should ever malfunction, do not operate the riding mower. Contact a Sears or other qualified service dealer for system repair.

- The safety interlock system prevents the engine from cranking or starting unless the parking brake is engaged, and the PTO knob is in the disengaged (OFF) position.
- The engine will automatically shut off if the operator leaves the seat before engaging the parking brake.

### ⚠ WARNING

Do not operate the riding mower if the interlock system is malfunctioning. This system was designed for your safety and protection.

# OPERATION

## Starting the Engine

### **! WARNING**

This riding mower is equipped with a safety interlock system designed for the protection of the operator. Do not operate the riding mower if any part of the system is malfunctioning. Periodically check the function of the interlock system for proper operation.

### **! WARNING**

For personal safety, the operator must be sitting in the riding mower seat when starting the engine.

**NOTE:** Refer to the Engine Operator's Manual for oil fill-up instructions and refer to the Assembly section for gasoline fill-up instructions.

**NOTE:** If the REVERSE CAUTION MODE **!**  button is depressed during starting, the starting sequence is aborted and needs to be restarted.

1. Operator must be sitting in the riding mower seat.
2. Engage the parking brake by pressing forward on the brake pedal (○), then press down on the parking brake/cruise control lever and then release the brake pedal (○). Refer to Figure 12.

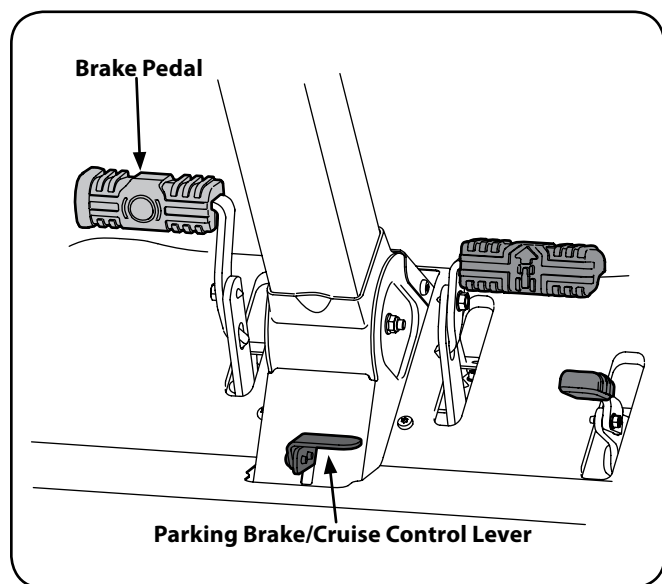



Figure 12

3. Make certain the PTO switch is in the disengaged (down) position. Refer to Figure 12.
4. Move the throttle into the FAST  position.
5. Insert the ignition key and press the ignition key for 1.5 until the engine starts to crank. If the engine does not start after 5 seconds, a 3 second delay will occur. Release the key and attempt to start again.
6. Allow the engine to run for a few minutes at mid throttle before putting the engine under load.
7. Observe the hour meter/indicator panel. If the battery indicator light or oil pressure light come on, immediately stop the engine. Contact a Sears or other qualified service dealer for system repair.

## Cold Weather Starting

When starting the engine at temperatures near or below freezing, ensure the correct viscosity motor oil is used in the engine and the battery is fully charged. Start the engine as follows:

1. Be sure the battery is in good condition. A warm battery has much more starting capacity than a cold battery.
2. Use fresh winter grade fuel. Winter grade gasoline has higher volatility to improve starting. Do not use gasoline left over from summer.
3. Follow the previous instruction for Starting the Engine.

## Using Jumper Cables To Start Engine


### **! WARNING**

Batteries contain sulfuric acid and produce explosive gasses. Make certain the area is well ventilated, wear gloves and eye protection, and avoid sparks or flames near the battery.

If the battery charge is not sufficient to crank the engine, recharge the battery. If a battery charger is unavailable and the riding mower must be started, the aid of a booster battery will be necessary. Connect the booster battery as follows:

1. Connect the end of one cable to the disabled riding mower battery's positive terminal; then connect the other end of that cable to the booster battery's positive terminal.
2. Connect one end of the other cable to the booster battery's negative terminal; then connect the other end of that cable to the frame of the disabled riding mower, as far from the battery as possible.
3. Start the disabled riding mower following the normal starting instructions previously provided; then disconnect the jumper cables in the exact reverse order of their connection.
4. Have the riding mower's electrical system checked and repaired as soon as possible to eliminate the need for jump starting.

## Stopping the Engine

1. Place the PTO switch in the disengaged position.
2. Engage the parking brake.
3. Move the throttle/choke control to the SLOW  position and allow the engine to idle for about one minute.
4. Press or remove the key from the ignition switch.



**NOTE:** Always remove the key from the ignition switch to prevent accidental starting or battery discharge if the equipment is left unattended.

# OPERATION

## Driving The Riding Mower

### **⚠ WARNING**

Avoid sudden starts, excessive speed and sudden stops.

1. Release the parking brake. Move the throttle/choke control lever into the FAST  position.
2. To travel FORWARD, slowly press the forward drive pedal  forward until the desired speed is achieved. See Figure 13.

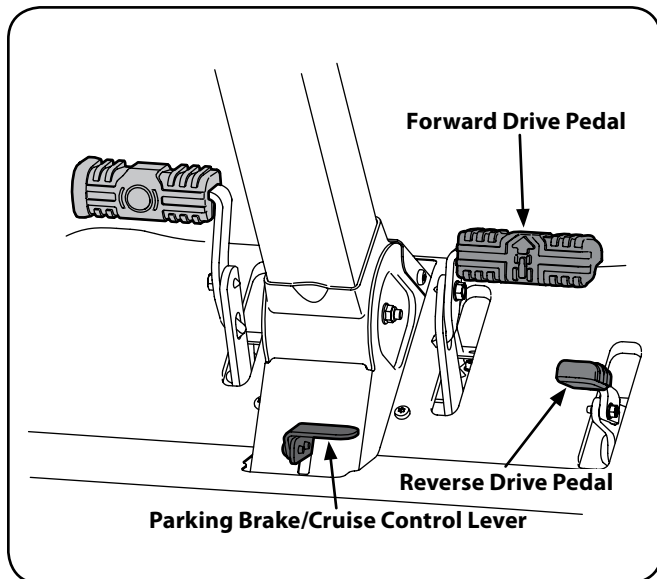

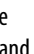
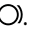


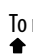






Figure 13

3. To stop or slow down the riding mower, take your foot off of the forward  or reverse drive pedal . To lock the parking brake, press forward on the brake pedal, then press down on the parking break/cruise control lever and then release the brake pedal .
4. To use the cruise control:
  - a. Press down on the forward drive pedal .
  - b. While maintaining the desired speed press down on the parking break/cruise control lever then release the forward drive pedal  to activate the cruise control.
5. To release the cruise control, press the brake  or the forward drive pedal .

**NOTE:** The forward  and reverse drive pedals  must not be used when the brake is partially engaged. When the brake is locked the drive belt is disengaged but if the brake is only part way back then the brakes are engaged but so is the drive belt so transmission damage will occur if you push forward or reverse.

6. To travel in reverse, check that the area behind is clear then slowly push forward on the reverse drive pedal  with the ball of your foot (NOT your heel) until the desired speed is achieved. See Figure 13.

### **⚠ CAUTION**

Do NOT attempt to change the direction of travel when the riding mower is in motion. Always bring the riding mower to a complete stop before moving the riding mower from forward to reverse or vice versa.

### **⚠ WARNING**

Do not leave the seat of the riding mower without first placing the PTO knob in the disengaged (OFF) position and engaging the parking brake. If leaving the riding mower unattended, also turn the engine off and remove the ignition key.

## Reverse Caution Mode

The REVERSE CAUTION MODE allows the riding mower to be operated in reverse with the blades (PTO) engaged.


**NOTE:** Mowing in reverse is not recommended.

### **⚠ WARNING**

Use extreme caution while operating the riding mower in the REVERSE CAUTION MODE. Always look down and behind before and while backing. Do not operate the riding mower when children or others are around. Stop the riding mower immediately if someone enters the area.

To use the REVERSE CAUTION MODE:

**NOTE:** The operator MUST be seated in the riding mower seat.

1. Start the engine as instructed on the previous page.
2. To activate the REVERSE CAUTION MODE push and hold the REVERSE CAUTION MODE  button for 3 seconds. See Figure 14.

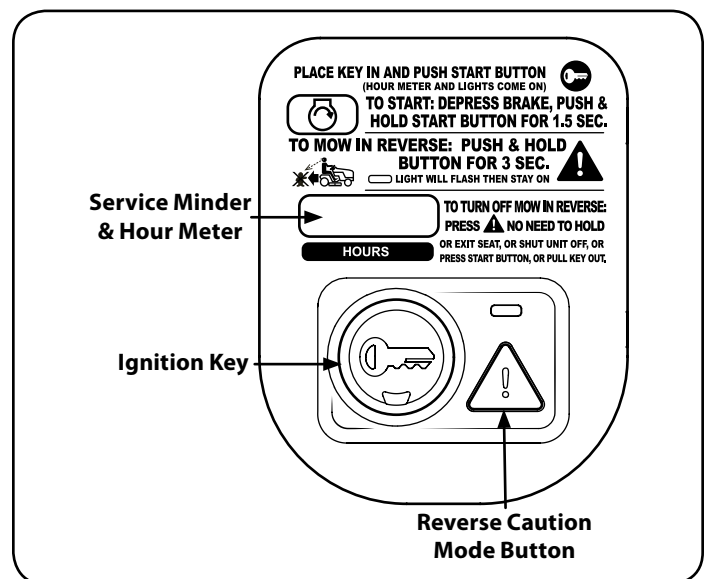




Figure 14

# OPERATION

3. Press the REVERSE CAUTION MODE  button (Orange, Triangular Button). The indicator light will flash then remain ON while activated. See Figure 14.
4. Once activated (indicator light ON), the riding mower can be driven in reverse with the cutting blades (PTO) engaged.
5. Always look down and behind before and while backing to make sure no children are around. After resuming forward motion, press the REVERSE CAUTION MODE  button to turn off the REVERSE CAUTION MODE

The REVERSE CAUTION MODE will remain activated until:

- a. The tractor is turned off or
- b. The operator leaves the seat.

## Driving On Slopes

Refer to the SLOPE GAUGE on page 8 to help determine slopes where you may operate the riding mower safely.

### WARNING

**Do not mow on inclines with a slope in excess of 15 degrees (a rise of approximately 2-½ feet every 10 feet). The riding mower could overturn and cause serious injury.**

- Mow across slopes, not up and down.
- Exercise extreme caution when changing direction on slopes.
- Watch for holes, ruts, bumps, rocks, or other hidden objects. Uneven terrain could overturn the machine. Tall grass can hide obstacles.
- Do not turn on slopes unless necessary; then turn slowly uphill and use extra care while turning. Turning up a slope greatly increases the chance of a rollover.
- Avoid stopping when driving up a slope. If it is necessary to stop while driving up a slope, start up smoothly and carefully to reduce the possibility of flipping the riding mower over backward.

## Mowing


### WARNING

**To help avoid blade contact or a thrown object injury, keep bystanders, helpers, children and pets at least 75 feet from the machine while it is in operation. Stop machine if anyone enters the area.**

The following information will be helpful when using the cutting deck with your riding mower.

### WARNING

**Plan your mowing pattern to avoid discharge of materials toward roads, sidewalks, bystanders and the like. Also, avoid discharging material against a wall or obstruction which may cause discharged material to ricochet back toward the operator.**

- Do not mow at high ground speed, especially if a mulch kit or grass collector is installed.
- Do not cut the grass too short. Short grass is prone to weed growth and yellows quickly in dry weather.
- Always operate the riding mower with the throttle in the FAST  position while mowing.


- For best results it is recommended that the first two laps be cut with the discharge thrown towards the center. After the first two laps, reverse the direction to throw the discharge to the outside for the balance of cutting. This will give a better appearance to the lawn.
- Do NOT attempt to mow heavy brush and weeds or extremely tall grass. Your riding mower is designed to mow lawns, NOT clear brush.
- Keep the blades sharp and replace the blades when worn.

## Manual Lift Lever

To raise or lower the cutting deck, move the lift lever to the left, then place it in the notch best suited for your application.

## Engaging the PTO

Engaging the PTO transfers power to the cutting deck or other (separately available) attachments. To engage the PTO:

1. Move the throttle to the FAST  position.
2. Pull the PTO/Blade Engage knob outward into the engaged (ON) position. See Figure 15.

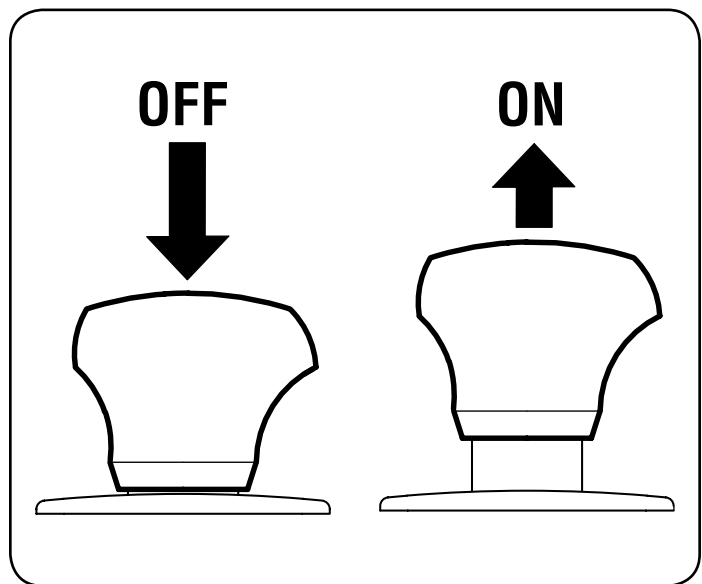



Figure 15

**NOTE:** Always operate the riding mower with the throttle lever in the FAST  position for the most efficient use of the cutting deck or other (separately available) attachments.

# SERVICE AND MAINTENANCE

## MAINTENANCE SCHEDULE

### WARNING

Before performing any type of maintenance/service, disengage all controls and stop the engine. Wait until all moving parts have come to a complete stop. Disconnect spark plug wire and ground it against the engine to prevent unintended starting. Always wear safety glasses during operation or while performing any adjustments or repairs.

Follow the maintenance schedule given below. This chart describes service guidelines only. Use the Service Log column to keep track of completed maintenance tasks. **To schedule service from Sears Parts & Repair, call 1-888-331-4569.**

See the Engine Operator's Manual packed with the riding mower for detailed instructions on how to perform many of the following maintenance items.

Interval	Item	Service	Service Log
Each use	<ol style="list-style-type: none"> <li>Engine Cooling Fans</li> <li>Engine Oil</li> <li>Air Filter</li> <li>Transmission Cooling Slots</li> </ol>	<ol style="list-style-type: none"> <li>Check/Clean</li> <li>Check</li> <li>Check</li> <li>Clean</li> </ol>	
After first 5 hours	<ol style="list-style-type: none"> <li>Engine Oil</li> </ol>	<ol style="list-style-type: none"> <li>Change (break-in period).</li> </ol>	
Every 10 hours	<ol style="list-style-type: none"> <li>Battery terminals</li> <li>Lubrication points</li> <li>Blades</li> <li>Tires</li> <li>Intake Screen</li> <li>Deck</li> </ol>	<ol style="list-style-type: none"> <li>Clean</li> <li>Grease</li> <li>Check/Sharpen/Replace as needed</li> <li>Check</li> <li>Check and Clean as needed</li> <li>Check/Clean</li> </ol>	
Every 25 hours	<ol style="list-style-type: none"> <li>Deck wheels</li> <li>Deck level/pitch</li> <li>Deck spindles</li> <li>Front Castings</li> <li>Caster Wheel</li> <li>Wheel Spindles</li> </ol>	<ol style="list-style-type: none"> <li>Inspect and lube</li> <li>Check</li> <li>Lube</li> <li>Grease</li> <li>Lube</li> <li>Lube</li> </ol>	
Every 50 hours	<ol style="list-style-type: none"> <li>Belts and pulleys</li> <li>Engine Oil</li> <li>Oil Filter</li> <li>Air Filter</li> <li>Fuel Filter</li> </ol>	<ol style="list-style-type: none"> <li>Check for damage and wear</li> <li>Change</li> <li>Replace</li> <li>Clean or change</li> <li>Replace</li> </ol>	
Every 100 hours	<ol style="list-style-type: none"> <li>Hardware</li> <li>Spark plug condition/gap</li> </ol>	<ol style="list-style-type: none"> <li>Check</li> <li>Check</li> </ol>	
Every season/Before storage	<ol style="list-style-type: none"> <li>Engine Cooling Fans</li> <li>Battery terminals</li> <li>Lubrication points</li> <li>Blades</li> <li>Tires</li> <li>Front wheels</li> <li>Deck</li> <li>Deck wheels</li> <li>Deck level/pitch</li> <li>Deck spindles</li> <li>Spark plug condition/gap</li> <li>Engine Oil</li> <li>Oil Filter</li> <li>Caster Wheels</li> <li>Wheels Spindles</li> <li>Under Floorboard</li> </ol>	<ol style="list-style-type: none"> <li>Check/Clean</li> <li>Clean</li> <li>Grease</li> <li>Check/Sharpen/Replace as needed</li> <li>Check</li> <li>Lube</li> <li>Check/Clean</li> <li>Inspect and lube</li> <li>Check</li> <li>Lube</li> <li>Check</li> <li>Change (Refer to Engine Maintenance on Page 19 and the Engine Operator's Manual)</li> <li>Replace</li> <li>Lube</li> <li>Lube</li> <li>Check and Clean</li> </ol>	
Miscellaneous	<ol style="list-style-type: none"> <li>Valve lashing *</li> </ol>	<ol style="list-style-type: none"> <li>Check and adjust *</li> </ol>	

# SERVICE AND MAINTENANCE

## ⚠ WARNING

Before performing any maintenance or repairs, disengage the PTO, move the drive control levers fully outward in the neutral position, engage the parking brake, stop the engine and remove the key to prevent unintended starting.

## Engine Maintenance

Refer to the Engine Operator's Manual for all engine maintenance procedures and instructions.

### Changing the Engine Oil

## ⚠ WARNING

If the engine has been recently run, the engine, muffler and surrounding metal surfaces will be hot and can cause burns to the skin. Exercise caution to avoid burns.

To complete an oil change, proceed as follows:

1. Run the engine for a short time to warm the engine oil. The oil will flow more freely and carry away more impurities. Use care to avoid burns from hot oil.
2. Locate the oil drain hose on the right side of the engine. See Figure 16.

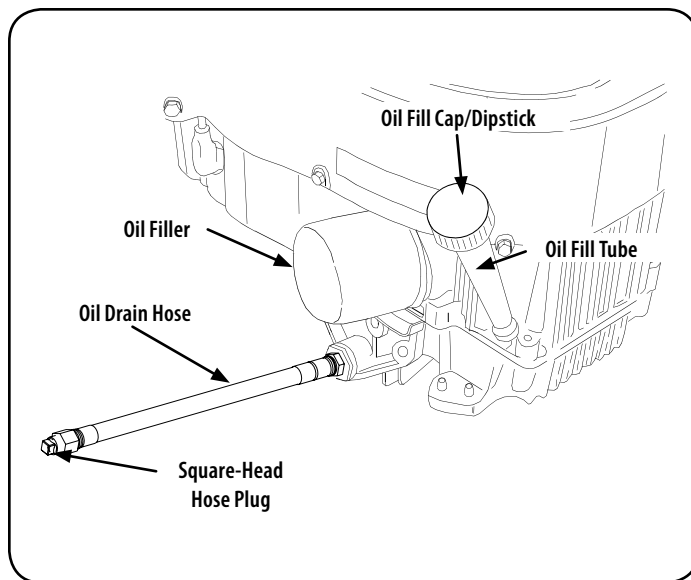


Figure 16

3. Route the free end of the oil drain hose toward an appropriate oil collection container with at least a 2.5 quart capacity, to collect the used oil. Remove the oil fill cap/dipstick from the oil fill tube.
4. While holding the free end of the oil drain hose over the oil collection container, unscrew the square head hose plug from the end of the hose. See Figure 16. Drain the engine oil into the collection container.
5. Route the free end of the oil drain hose toward an appropriate oil collection container with at least a 2.5 quart capacity, to collect the used oil.
6. Once the oil has finished draining, replace the square head hose plug and fill the engine as instructed in the engine owner's manual. See engine owner's manual included with this riding mower for oil capacity.

## Hydrostatic Transmission

The hydrostatic transmission is sealed at the factory and is maintenance-free. The fluid level cannot be checked and the fluid cannot be changed.

## Battery

## ⚠ WARNING

California **PROPOSITION 65 WARNING!** Battery posts, terminals, and related accessories contain lead and lead compounds, chemicals known to the State of California to cause cancer and reproductive harm. Wash hands after handling.

The battery is sealed and is maintenance-free. Acid levels cannot be checked and fluid can not be added.

- Always keep the battery cables and terminals clean and free of corrosive build-up.
- After cleaning the battery and terminals, apply a light coat of petroleum jelly or grease to both terminals.

## ⚠ CAUTION

If removing the battery for cleaning, disconnect the **NEGATIVE (Black) wire** from its terminal first, followed by the **POSITIVE (Red) wire**. When re-installing the battery, always connect the **POSITIVE (Red) wire** its terminal first, followed by the **NEGATIVE (Black) wire**. Be certain that the wires are connected to the correct terminals; reversing them could result in serious damage to your engine's alternating system.

## Cleaning the Riding Mower

Any fuel or oil spilled on the machine should be wiped off promptly. Do NOT allow debris to accumulate around the cooling fins of the engine, the transmission's cooling fan or on any other part of the machine, especially the belts and pulleys.

## Using the Deck Wash System

Your riding mower's deck is equipped with a water port on its surface as part of its deck wash system.

Use the deck wash to rinse grass clippings from the deck's underside and prevent the buildup of corrosive chemicals. Complete the following steps **AFTER EACH MOWING**:

1. Drive the riding mower to a level, clear spot on your lawn, near enough for your garden hose to reach.

## ⚠ CAUTION

Make certain the riding mower's discharge chute is directed **AWAY** from your house, garage, parked cars, etc.

2. Disengage the PTO (Blade Engage), set the parking brake and stop the engine.
3. Thread the hose coupler (packaged with the Operator's Manual) onto the end of your garden hose.

# SERVICE AND MAINTENANCE

4. Attach the hose coupler to the water port on your deck surface. See Figure 17.

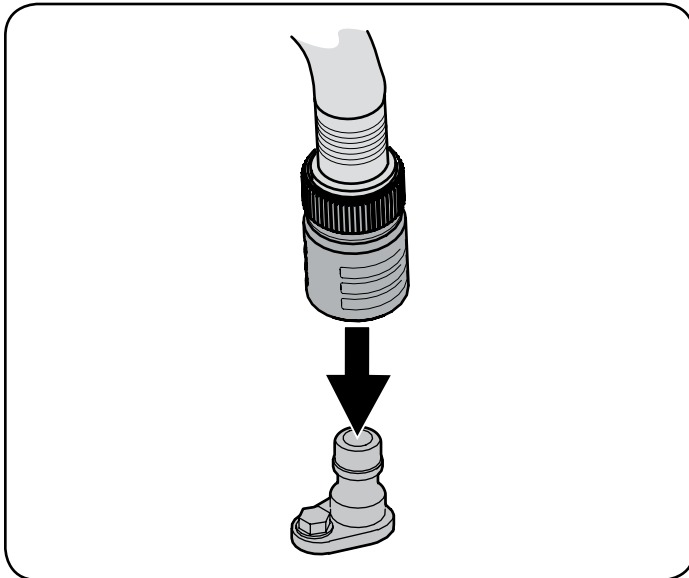



Figure 17

5. Turn the water on.
6. While sitting in the operator's position on the riding mower, start the engine and place the throttle in the FAST  position.
7. Engage the PTO.
8. Remain in the operator's position with the cutting deck engaged for a minimum of two minutes, allowing the underside of the cutting deck to thoroughly rinse.
9. Disengage the PTO.
10. Press or remove the ignition key.
11. Turn the water off and detach the hose coupler from the water port on your deck's surface.
12. After cleaning your deck with the deck wash system, return to the operator's position and engage the PTO. Keep the cutting deck running for a minimum of two minutes, allowing the underside of the cutting deck to thoroughly dry.

## Tires

### WARNING

Never exceed the maximum inflation pressure shown on the sidewall of the tire.

Refer to the tire sidewall for exact tire manufacturer's recommended or maximum psi. Do not overinflate. Uneven tire pressure could cause the cutting deck to mow unevenly.

## Lubrication

### WARNING

Before lubricating, repairing, or inspecting, always disengage PTO, set parking brake, stop engine and remove key to prevent unintended starting.

### Front Wheels

Each of the front wheel axles and rims is equipped with grease fittings. See Figure 18. Lubricate with a No. 2 multi-purpose grease applied with a grease gun after every 25 hours of riding mower operation.

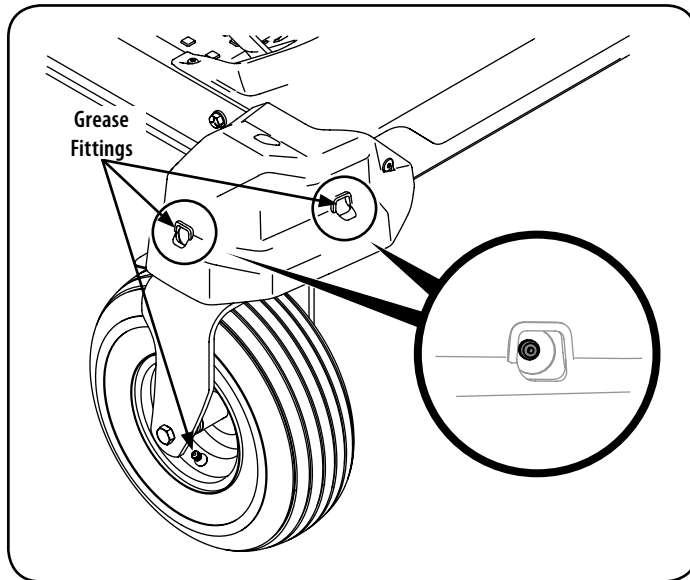


Figure 18

### Steering Supports

Under the frame of the riding mower there are two grease fittings for the steering supports. Lubricate with a No. 2 multi-purpose grease applied with a grease gun after every 25 hours of riding mower operation. See Figure 19.

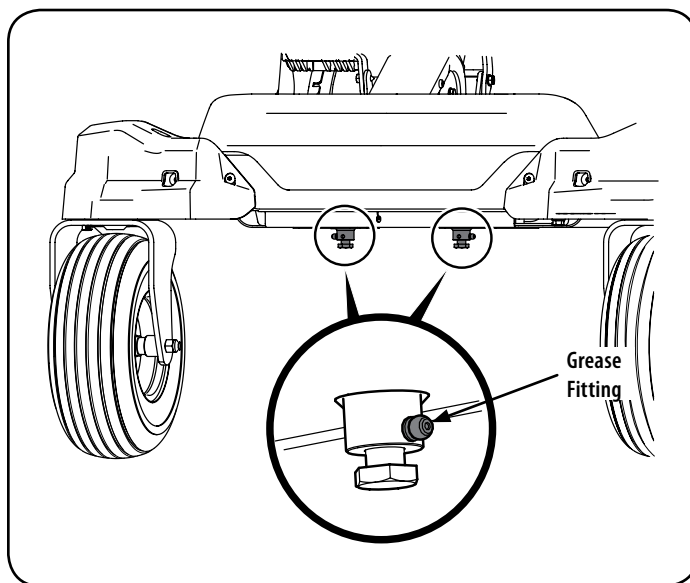


Figure 19

# SERVICE AND MAINTENANCE

## Pivot Points & Linkage

Lubricate all the pivot points on the drive system, parking brake and lift linkage at least once a season with light oil.

## Adjustments

### Deck

**NOTE:** Check the riding mower's tire pressure before performing any deck leveling adjustments. Refer to Tires above for information regarding tire pressure.

### WARNING

Shut the engine off, remove the ignition key and engage the parking brake before making adjustments. Protect your hands by using heavy gloves when handling the blades.

### Leveling the Deck (Side-to-Side)

**NOTE:** Check the riding mower's tire pressure before performing any deck leveling adjustments. Refer to Tires for information regarding tire pressure. Always level the deck side to side before front to rear.

If the cutting deck appears to be mowing unevenly, a side to side adjustment can be performed. Adjust if necessary as follows:

1. With the riding mower parked on a firm, level surface, place the deck lift handle in a middle mowing position and rotate both outside blades so that they are perpendicular with the riding mower.
2. Measure the distance from the outside of the left blade tip to the ground and the distance from the outside of the right blade tip to the ground. Both measurements taken should be equal. If they're not, proceed to the next step.
3. Loosen, but do NOT remove, the hex bolt on the rear left deck hanger link. See Figure 20.

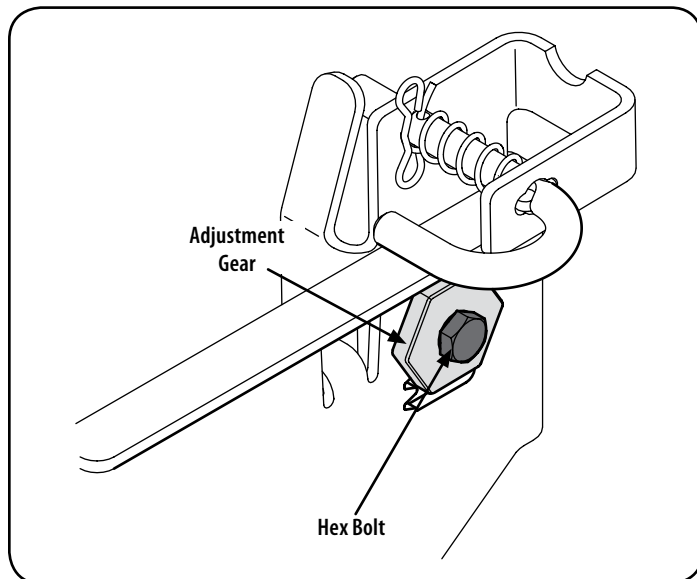


Figure 20

**NOTE:** The rear right deck hanger link is not adjustable and is used to help adjust the other hanger links.

4. Using a wrench, raise or lower the left side of the deck by turning the adjustment gear. See Figure 20.

5. The deck is properly leveled when both blade tip measurements are equal. Retighten the hex bolt on the front left deck hanger bracket when proper adjustment is achieved.

### Leveling the Deck (Front-to-Rear)

**NOTE:** Check the riding mower's tire pressure before performing any deck leveling adjustments. Refer to Tires on page 24 for information regarding tire pressure. Always level the deck side to side before front to rear.

The front of the deck should be between  $\frac{1}{4}$ " and  $\frac{3}{8}$ " lower than the rear of the deck. Adjust if necessary as follows:

1. Park the riding mower on a firm, level surface and place the deck lift handle in a middle position.
2. Rotate the blade nearest the discharge chute so that it is parallel with the riding mower.
3. Measure the distance from the front of the blade tip to the ground and the rear of the blade tip to the ground. The first measurement taken should be between  $\frac{1}{4}$ " and  $\frac{3}{8}$ " less than the second measurement.
4. Determine the approximate distance necessary for proper adjustment and proceed, if necessary.
5. To raise the front of the deck, remove the end cap, loosen the outer nut then tighten (thread inward) the nut against the front hanger bracket. See Figure 21. When proper adjustment is achieved, re-tighten the outer nut and replace the end cap.

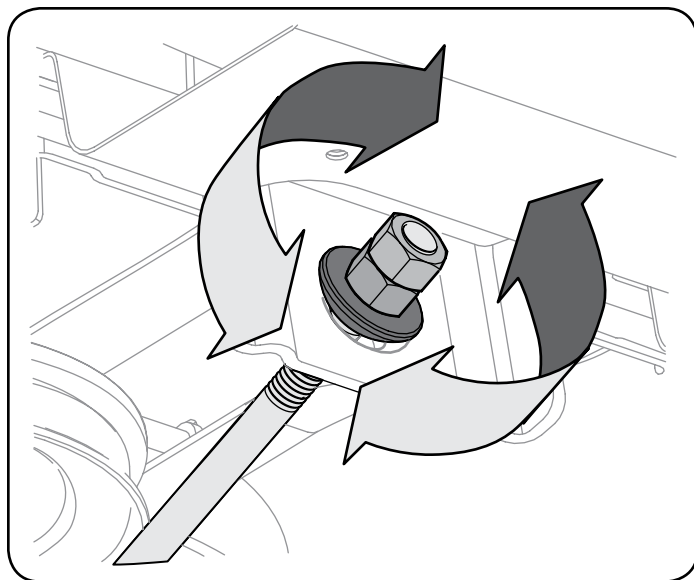


Figure 21

6. To lower the front of the deck, remove the end cap, loosen the outer nut then loosen (thread outward) the nut, away from the front hanger bracket. See Figure 21. When proper adjustment is achieved, re-tighten the outer nut and replace the end cap.

# SERVICE AND MAINTENANCE

## Deck Wheels

### WARNING

Keep hands and feet away from the discharge opening of the cutting deck.

**NOTE:** The deck wheels are an anti-scalp feature of the deck and are not designed to support the weight of the cutting deck.

The deck wheels should be approximately 1/4-1/2" above the ground when the deck is set in the desired height setting. To adjust the deck wheels see the Assembly & Set-Up section for instructions.

## Parking Brake Adjustment

If the riding mower does not come to a complete stop when the brake lever is completely engaged, or if the riding mower's rear wheels can roll with the parking brake applied (and the hydrostatic relief valve open), the brake is in need of adjustment. Have brake properly adjusted by a Sears or other qualified service dealer.

## Off-Season Storage

### Riding Mower Storage

If your riding mower is not going to be operated for an extended period of time (thirty days to approximately six months), the riding mower should be prepared for storage. Store the riding mower in a dry and protected location. If stored outside, cover the riding mower (including the tires) to protect it from the elements. The procedures outlined below should be performed whenever the riding mower is placed in storage.

1. Change the engine oil and filter following the instructions provided in the Engine Manual.

### WARNING

Never store the riding mower with fuel in the tank indoors or in poorly ventilated enclosures, where fuel fumes may reach an open flame, spark or pilot light as on a furnace, water heater, clothes dryer, etc.

2. Service the engine as instructed in the separate engine manual.
3. Engines stored between 30 and 90 days need to be treated with a gasoline stabilizer such as **STA-BIL**® and engines stored over 90 days need to be drained of fuel to prevent deterioration and gum from forming in fuel system or on essential carburetor parts. If the gasoline in your engine deteriorates during storage, you may need to have the carburetor, and other fuel system components, serviced or replaced.

### WARNING

Drain fuel only into unapproved container outdoors, away from an open flame. Allow engine to cool. Extinguish cigarettes, cigars, pipes, and other sources of ignition prior to draining fuel.

3. Remove the spark plugs and pour approximately one ounce of oil into each cylinder. Crank the engine one or two turns to spread the oil evenly on the cylinder walls. Replace the spark plugs.

4. Clean the engine and the entire riding mower thoroughly.

**NOTE:** Use of a pressure washer or garden hose is not recommended to clean your riding mower. They may cause damage to electrical components, spindles, pulleys, bearings or the engine. The use of water will result in shortened life and reduce serviceability.

5. Sharpen the blades so that the mower will be ready to use when needed.
6. Protect the metal surfaces. Repair scratches with the appropriate touch-up spray paint. Brush a rust preventive oil on any unpainted surfaces including the pulleys and blades. (Be careful not to get any oil on the drive belts.)
7. Clean and fully charge the battery, then disconnect the negative cable at the battery to prevent possible discharge. Recharge the battery periodically when in storage.  
**NOTE:** Remove the battery if exposed to prolonged periods of sub-freezing temperatures. Store in a cool, dry location where temperatures are above freezing.
8. Lubricate all lubrication points.
9. Jack the mower up and store it on blocks to take the weight off of the tires.

### Removing the Riding Mower From Storage

1. Check the engine oil.
2. Fully charge the battery, lower riding mower off blocks, and inflate the tires to the recommended pressure.
3. Remove the spark plugs and wipe them off. Using the starter, crank the engine to pump the excess oil out of the spark plug holes. Replace the spark plugs and the ignition leads.
4. If drained before storing, fill the fuel tank with clean, fresh gasoline.
5. Check the level of the engine oil in the crankcase and the hydraulic reservoir tank.
6. Start the engine and allow to idle for a few minutes to ensure engine is operating properly.
7. Drive the riding mower without a load to make certain all the riding mower systems are functioning properly.

# SERVICE AND MAINTENANCE

## Battery Removal

### WARNING

Battery posts, terminals and related accessories contain lead and lead compounds. Wash hands after handling.

The battery is located beneath the seat frame. To remove the battery:

1. Remove the hex washer screw securing the battery hold-down bracket to the frame. Then flip the battery hold-down bracket up to free the battery. See Figure 22.

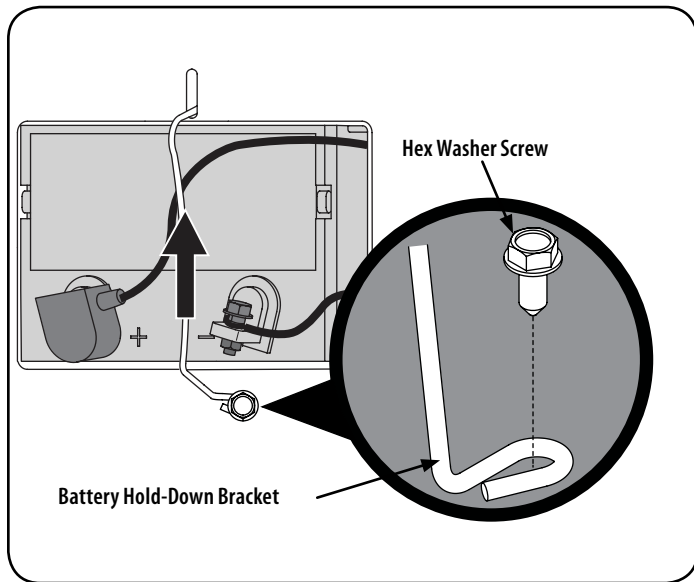


Figure 22

2. Remove the hex cap screw and sems nut securing the black negative battery lead to the negative battery post (marked NEG). Move the cable away from the negative battery post.
3. Remove the hex cap screw and sems nut securing the red positive battery lead to the positive battery post (marked POS).
4. Carefully lift the battery out of the riding mower.
5. Install the battery by repeating the above steps in the reverse order.

### WARNING

Always connect the positive lead to the battery before connecting the negative lead. This will prevent sparking or possible injury from an electrical short caused by contacting the riding mower body with tools being used to connect the cables.

## Charging the Battery

Test and, if necessary, recharge the battery after the riding mower has been stored for a period of time.

- A voltmeter or load tester should read 12.6 volts (DC) or higher across the battery terminals. See Figure 23.

Voltmeter Reading	State of Charge	Charging Time
12.7	100%	Full Charge
12.4	75%	90 Min.
12.2	50%	180 Min.
12.0	25%	280 Min.

Figure 23

- Charge the battery with a 12-volt battery charger at a MAXIMUM rate of 10 amps.

## Servicing Electrical System

A fuse is installed to protect the riding mower's electrical system from damage caused by excessive amperage. Always use the same capacity fuse for replacement. If the electrical system does not function, check for a blown fuse.

If you have a recurring problem with blown fuses, have the riding mower's electrical system checked by a Sears or other qualified service dealer.

## Relays and Switches

There are several safety switches in the electrical system. If a function of the safety interlock system described earlier is not functioning properly, have the electrical system checked by a Sears or other qualified service dealer.

## Deck Removal

Remove the mower deck from the riding mower as follows:

1. Move the riding mower to a level surface, disengage the PTO, stop the engine, and set the parking brake.
2. Move the deck gauge wheels or rollers to their highest setting (lowest deck setting).
3. Remove the 'V' belt from the PTO pulley, located on the bottom of the engine, using one of the following two methods.

### WARNING

The muffler at the rear of the riding mower may be extremely hot, and could cause serious burns. Use extreme caution when near the muffler. Allow the muffler to fully cool before removing the belt from the PTO pulley.

# SERVICE AND MAINTENANCE

## Releasing Belt Tension with the Idler Pulley

1. Using the deck lift handle, raise the deck to the position that provides the most horizontal run of the belt between the deck idler pulleys and the PTO pulley on the bottom of the engine. See Figure 24.

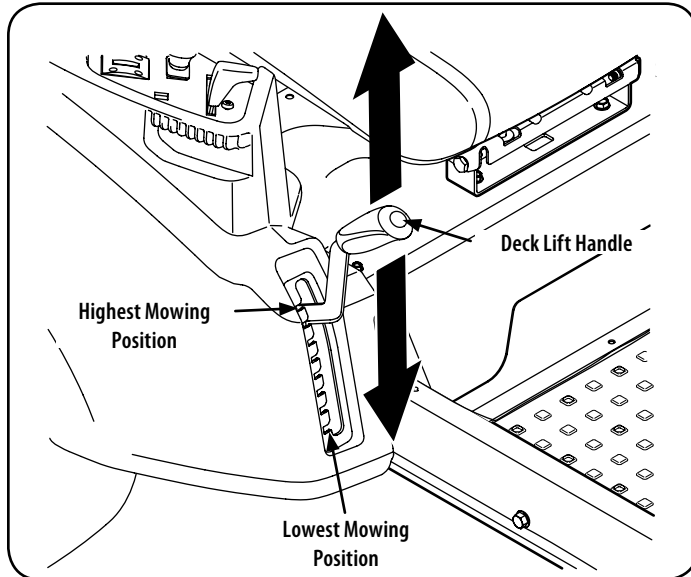


Figure 24

2. Working from the middle of the riding mower, pivot the idler bracket and movable idler pulley rearward away from the backside of the 'V' belt just far enough to lift the belt up and over the idler pulley. See Figure 25.

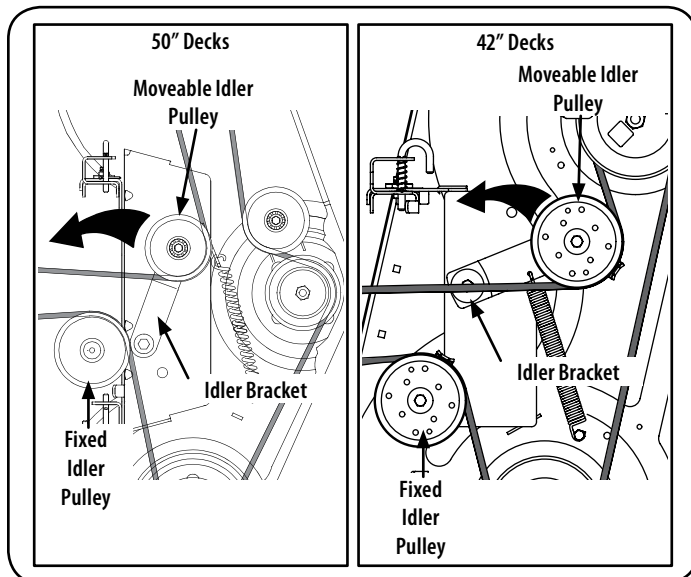


Figure 25

3. From beneath the rear of the riding mower, slide the belt off of the PTO pulley on the bottom of the engine.

## Rolling the Belt off the PTO Pulley

1. Using the deck lift handle, raise the deck to the position that provides the most horizontal run of the belt between the deck idler pulleys and the PTO pulley on the bottom of the engine.
2. Sitting behind the riding mower facing forward, reach beneath the riding mower to grasp the belt at the front of the PTO pulley.

### ⚠ WARNING

Use caution to avoid pinching your fingers when rolling the belt off the PTO pulley.

3. Pull the left side of the belt rearward and downward while manually turning the PTO pulley to the right until the belt rides out onto the edge of the lower sheave of the pulley.  
**NOTE:** If pulling the right side of the belt, turn the pulley left.
4. While still holding the belt downward, continue turning the PTO pulley until the belt is rolled off the pulley. Refer to Figure 26.

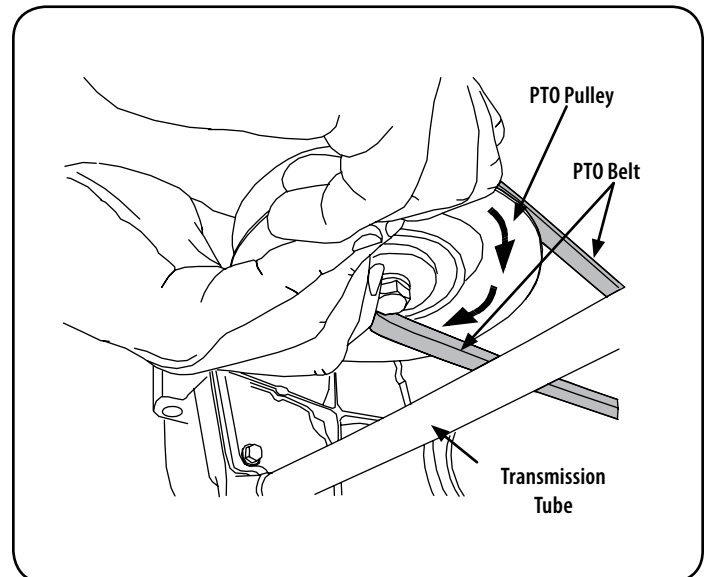


Figure 26

5. Lower the deck into the lowest position using the deck lift handle. See Figure 24.

# SERVICE AND MAINTENANCE

6. Pull the cotter pin out of the front deck lift rod securing it to the deck. See Figure 27. Slide the deck lift rod out of the front hanger bracket.

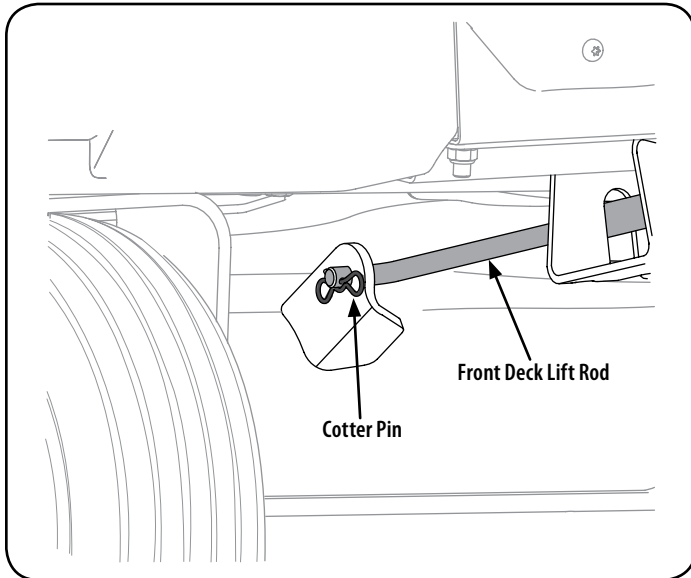


Figure 27

7. Locate the LH and RH deck release pins on each side of the deck. Pull the release pins outward and release the deck from the LH and RH deck lift arms. See Figure 28.

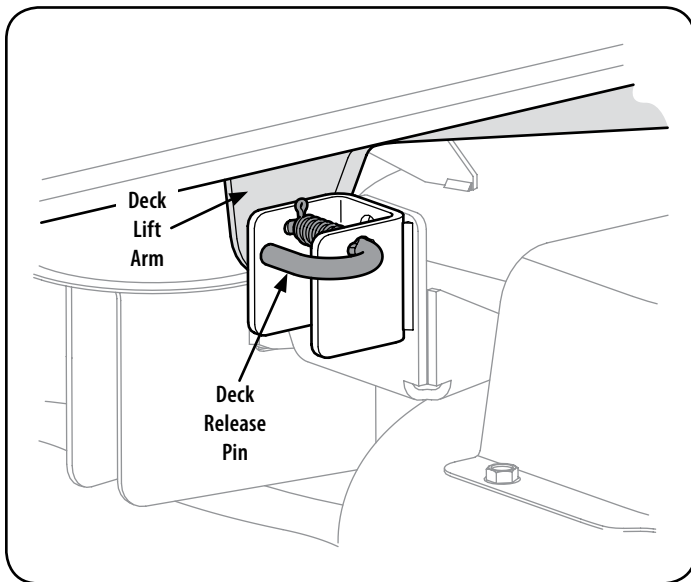


Figure 28

8. Place the deck lift handle into the highest mowing position and slide the deck out from beneath the riding mower.

## Deck Installation

Install the deck on the riding mower as follows:

1. Place the deck lift handle in the highest mowing position See Figure 24.
2. Slide the deck under the riding mower on the right side of the riding mower lining up the deck hanger brackets and the deck lift arms..
3. Once the deck is under the riding mower, move the deck lift handle to the lowest mowing position.  
**NOTE:** To line the brackets up properly, it may be necessary to place a small block of wood under each side of the deck.
4. Pull the deck release pins outward and maneuver the deck as necessary to align the holes in the deck lift arms with the pins. Refer to Figure 28.
5. When aligned, push each pin fully inward through the lift arms to secure the arms in the rear hanger bracket slots.
6. Reinstall the front deck lift rod and secure in place with the cotter pin. Refer to Figure 27.
7. Make certain the 'V' belt is in the spindle pulleys on the deck; then route the belt rearward beneath the riding mower frame, above the transmission tube(s), to the PTO pulley on the bottom of the engine.
8. Using the deck lift handle, raise the deck to the position that provides the most horizontal run of the belt between the deck idler pulleys and the PTO pulley on the bottom of the engine.
9. Make certain the belt is in the spindle pulleys of the deck, and that the backside of the belt is against both the fixed and movable idler pulleys.
10. Sitting behind the riding mower, facing forward, make certain the belt is not twisted; then reach beneath the riding mower to grasp the belt and pull it toward the PTO pulley.



**Warning!** Use caution to avoid pinching your fingers when rolling the belt onto the PTO pulley.

11. Pull the right side of the belt rearward and place the narrow V side of the belt into the PTO pulley. See Figure 26.
12. While holding the belt and pulley together, rotate the pulley to the left (See Figure 26). Continue holding and rotating the pulley and belt until the belt is fully rolled into the PTO pulley.

**NOTE:** Before using the riding mower double-check the belt routing to make sure that the belt has been routed properly.

# SERVICE AND MAINTENANCE

## Replacing the Belt

1. Remove the deck from beneath the riding mower, (refer to Deck Removal).
2. Loosen, but do not remove the hardware on the right and left idler pulley. Refer to Figure 29 for 42" decks and Figure 30 for 50" decks.

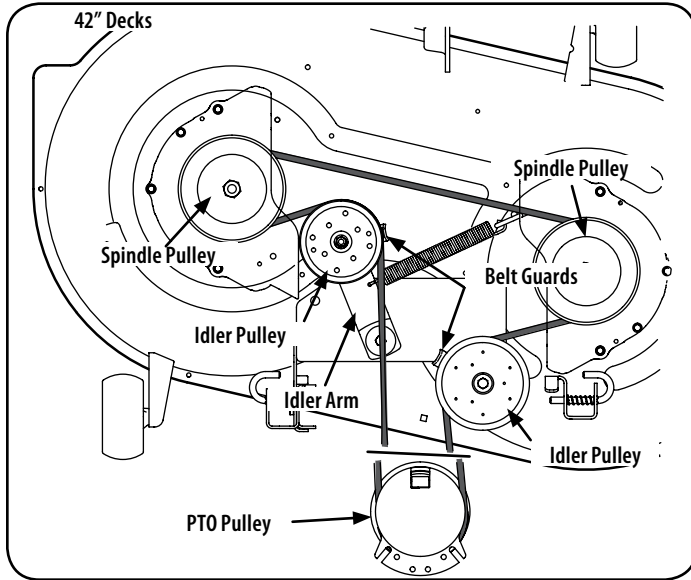


Figure 29

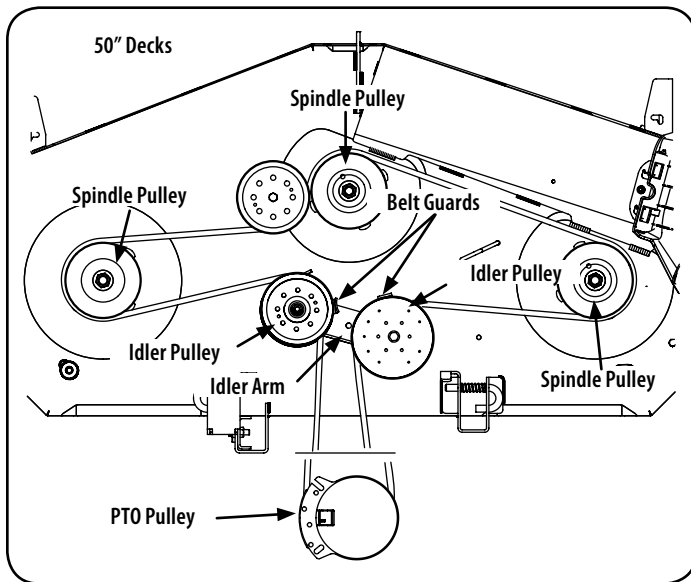


Figure 30

**NOTE:** Take note of the position of the belt guards to ensure they are properly re-installed.

**NOTE:** On Some decks it may be necessary to remove the spindle covers to remove and/or install the new belt. To remove the spindle covers, remove the screws securing them to the deck.

3. Carefully remove the belt from around the idler pulleys and the spindle pulleys.
4. Install the new belt around the pulleys as shown and reinstall the belt covers.
5. Place the belt around the idler pulleys removed in step 3 with the "V" side facing in. Once in place, reinstall all the hardware and tighten the flange lock nut to secure the assembly.
6. Route the belt as shown and then reinstall the deck (refer to Deck Installation).

## Mower Blade Care

### ⚠ WARNING

Before performing any maintenance, place the PTO switch in the "OFF" position, engage the parking brake lever, turn the ignition key to the "OFF" position and remove the key from the switch. Protect your hands by using heavy gloves when handling the blades. When servicing the mower deck, be careful not to cut yourself on the sharpened blades.

The cutting blades must be kept sharp at all times. Sharpen the cutting edges of the blades evenly so that the blades remain balanced and the same angle of sharpness is maintained.

If the cutting edge of a blade has already been sharpened many times, or if any metal separation is present, it is recommended that new blades be installed. Only use identical replacement blades. To purchase blades, call 1-888-331-4569.

The blades may be removed as follows.

1. Remove the deck from beneath the riding mower, (refer to Deck Removal) then gently flip the deck over to expose its underside.
2. Use a  $\frac{15}{16}$ " wrench to hold the hex nut on top of the spindle assembly when loosening the hex nut securing the blade. A block of wood may be placed between the deck housing and the cutting edge of the blade to help in breaking loose the hex nut securing the blade. See Figure 31.

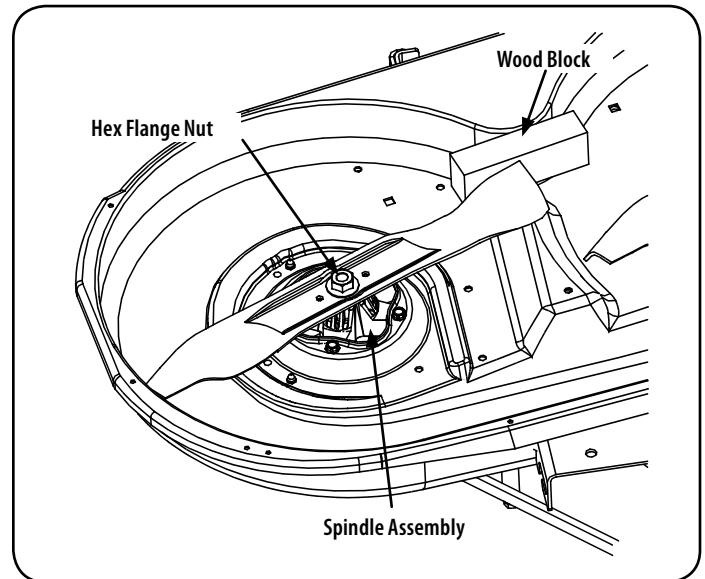


Figure 31

**NOTE:** If any metal separation is present, replace the blades with new ones.

## SERVICE AND MAINTENANCE

3. To properly sharpen the cutting blades, remove equal amounts of metal from both ends of the blades along the cutting edges, parallel to the trailing edge, at a 25-30° angle. See Figure 32.

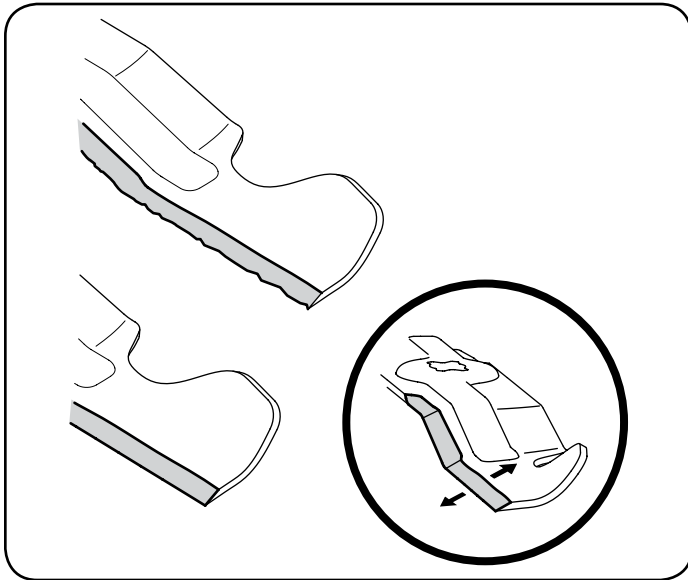


Figure 32

4. It is important that each cutting blade edge be ground equally to maintain proper blade balance. A poorly balanced blade will cause excessive vibration and may cause damage to the mower and result in personal injury. The blade can be tested by balancing it on a round shaft screwdriver. Grind metal from the heavy side until it balances evenly.
5. When reinstalling the blades, be sure they are installed so that the wings are pointing upward toward the top of the deck.
6. Tighten the blade nuts to 70-90 ft. lbs.
7. Reinstall the deck (refer to Deck Installation).

### Changing the Transmission Drive Belt

Several components must be removed and special tools used in order to change the riding mower's transmission drive belt, have your riding mower checked by a Sears or other qualified service dealer.

### Riding Mower Creeping

Creeping is the slight forward or backward movement of the riding mower when the throttle is on and the speed control levers are in the neutral position. If your riding mower creeps, have riding mower serviced by a Sears or other qualified service dealer.

# OFF-SEASON STORAGE

## WARNING

Never store garden riding mower with fuel in tank indoors or in poorly ventilated areas where fuel fumes may reach an open flame, spark, or pilot light as on a furnace, water heater, clothes dryer, or gas appliance.

## Riding Mower Storage

If your riding mower is not going to be operated for an extended period of time (thirty days to approximately six months), the riding mower should be prepared for storage. Store the riding mower in a dry and protected location. If stored outside, cover the riding mower (including the tires) to protect it from the elements. The procedures outlined below should be performed whenever the riding mower is placed in storage.

1. Change the engine oil and filter following the instructions provided in the Service and Maintenance section of this manual.

## WARNING

Never store the riding mower with fuel in the tank indoors or in poorly ventilated enclosures, where fuel fumes may reach an open flame, spark or pilot light as on a furnace, water heater, clothes dryer, etc.

2. If storing the riding mower for 30 days or more:
  - a. To prevent gum deposits from forming inside the engine's carburetor and causing possible malfunction of the engine, the fuel system must be either completely emptied, or the gasoline must be treated with a stabilizer to prevent deterioration.

## WARNING

Fuel left in the fuel tank deteriorates and will cause serious starting problems.

- b. Using a fuel stabilizer:
    - Read the product manufacturer's instructions and recommendations.
    - Add to clean, fresh gasoline the correct amount of stabilizer for the capacity (approximately 3 gallons) of the fuel system.
    - Fill the fuel tank with treated fuel and run the engine for 2-3 minutes to get stabilized fuel into the carburetor.
  - c. Emptying the fuel system:
    - Prior to putting the riding mower in storage, monitor fuel consumption with the goal of running the fuel tank empty.
    - Start the engine and allow it to run out of fuel. This will prevent gum and varnish deposits from forming.
3. Remove the spark plugs and pour approximately one ounce of oil into each cylinder. Crank the engine one or two turns to spread the oil evenly on the cylinder walls. Replace the spark plugs.
  4. Clean the engine and the entire riding mower thoroughly.

**NOTE:** Use of a pressure washer or garden hose is not recommended to clean your riding mower. They may cause damage to electrical components, spindles, pulleys, bearings or the engine. The use of water will result in shortened life and reduce serviceability.

5. Sharpen the blades so that the mower will be ready to use when needed.
6. Protect the metal surfaces. Repair scratches with the appropriate touch-up spray paint. Brush a rust preventive oil on any unpainted surfaces including the pulleys and blades. (Be careful not to get any oil on the drive belts.)
7. Clean and fully charge the battery, then disconnect the negative cable at the battery to prevent possible discharge. Recharge the battery periodically when in storage.

**NOTE:** Remove the battery if exposed to prolonged periods of sub-freezing temperatures. Store in a cool, dry location where temperatures are above freezing.
8. Lubricate all lubrication points.
9. Jack the mower up and store it on blocks to take the weight off of the tires.

## Removing the Riding Mower from Storage

1. Check the engine oil.
2. Fully charge the battery, lower riding mower off blocks, and inflate the tires to the recommended pressure.
3. Remove the spark plugs and wipe them off. Using the starter, crank the engine to pump the excess oil out of the spark plug holes. Replace the spark plugs and the ignition leads.
4. If drained before storing, fill the fuel tank with clean, fresh gasoline.
5. Check the level of the engine oil in the crankcase and the hydraulic reservoir tank.
6. Start the engine and allow to idle for a few minutes to ensure engine is operating properly.
7. Drive the riding mower without a load to make certain all the riding mower systems are functioning properly.

# TROUBLESHOOTING

## WARNING

Before performing any type of maintenance/service, disengage all controls and stop the engine. Wait until all moving parts have come to a complete stop. Disconnect spark plug wire and ground it against the engine to prevent unintended starting. Always wear safety glasses during operation or while performing any adjustments or repairs.

This section addresses minor service issues. To locate the nearest Sears Service Center or to schedule service, simply contact Sears at 1-888-331-4569.

Problem	Cause	Remedy
Engine Fails to start	<ol style="list-style-type: none"> <li>1. PTO/Blade Engage knob engaged.</li> <li>2. Parking brake not engaged.</li> <li>3. Spark plug wire disconnected.</li> <li>4. Throttle control lever not in correct starting position.</li> <li>5. Fuel tank empty, or stale fuel.</li> <li>6. Blocked fuel line or fuel filter.</li> <li>7. Faulty spark plug.</li> <li>8. Engine flooded.</li> <li>9. Fuse(s) blown.</li> </ol>	<ol style="list-style-type: none"> <li>1. Place knob in disengaged (OFF) position.</li> <li>2. Engage parking brake.</li> <li>3. Connect wire to spark plug.</li> <li>4. Place Throttle lever to FAST position.</li> <li>5. Fill tank with clean, fresh (less than 30 days old) gas.</li> <li>6. Replace fuel line. See a Sears or other qualified service dealer. Replace fuel filter. See the Service and Maintenance section.</li> <li>7. Clean, adjust gap or replace plug.</li> <li>8. Crank engine with throttle in FAST position.</li> <li>9. Replace fuse.</li> </ol>
Engine runs erratically	<ol style="list-style-type: none"> <li>1. Riding mower running with Choke activated.</li> <li>2. Spark plug wire loose.</li> <li>3. Blocked fuel line or stale fuel.</li> <li>4. Vent in gas cap plugged.</li> <li>5. Water or dirt in fuel system.</li> <li>6. Dirty air cleaner.</li> </ol>	<ol style="list-style-type: none"> <li>1. Check that the electric choke is working. See a Sears or other qualified service dealer.</li> <li>2. Connect and tighten spark plug wire.</li> <li>3. Replace fuel line. See a Sears or other qualified service dealer. Fill tank with clean, fresh gasoline and replace fuel filter. See the Service and Maintenance section.</li> <li>4. Clear vent or replace cap if damaged.</li> <li>5. Drain fuel tank. Refill with clean, fresh gasoline. See the Service and Maintenance section.</li> <li>6. Clean or replace air cleaner paper element or clean foam pre-cleaner.</li> </ol>
Engine overheats	<ol style="list-style-type: none"> <li>1. Engine oil level low</li> <li>2. Air flow restricted</li> </ol>	<ol style="list-style-type: none"> <li>1. Fill engine with proper amount and type of oil.</li> <li>2. Clean grass clippings and debris from around the engine's cooling fins and blower housing.</li> </ol>
Engine hesitates at high RPMs	<ol style="list-style-type: none"> <li>1. Spark plug gap set too close</li> </ol>	<ol style="list-style-type: none"> <li>1. Remove spark plug and adjust gap.</li> </ol>
Engine idles poorly	<ol style="list-style-type: none"> <li>1. Fouled spark plug</li> <li>2. Dirty air cleaner</li> </ol>	<ol style="list-style-type: none"> <li>1. Replace spark plug and adjust gap.</li> <li>2. Clean or replace air cleaner element and/or clean pre-cleaner.</li> </ol>
Excessive vibration	<ol style="list-style-type: none"> <li>1. Cutting blades loose or unbalanced</li> <li>2. Damaged, dull, or bent cutting blade</li> </ol>	<ol style="list-style-type: none"> <li>1. Tighten blade and spindle. Balance blade.</li> <li>2. Replace blade.</li> </ol>
Uneven cut	<ol style="list-style-type: none"> <li>1. Deck not leveled properly.</li> <li>2. Dull blade.</li> <li>3. Uneven tire pressure.</li> </ol>	<ol style="list-style-type: none"> <li>1. Perform side-to-side deck adjustment.</li> <li>2. Sharpen or replace blade.</li> <li>3. Check tire pressure in all four tires.</li> </ol>

# Manual del Operador



## TRACTOR CORTACÉSPED CON RADIO DE GIRO CERO AVEC INTELLIGENT TECHNOLOGIE CORTACÉSPED

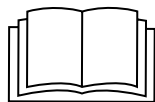


N.º de modelo 247.20400\* y 247.20410\*

\*-- El último dígito del número de modelo varía

Medidas de Seguridad.....	30	Almacenamiento Fuera De Temporada .....	55
Indicador de pendientes .....	34	Solución de Problemas .....	56
Montaje .....	35	Garantía/Servicio.....	Consulte el suplemento que se adjunta por separado
Funcionamiento .....	39		
Servicio y Mantenimiento .....	46		

**NOTA:** Este manual del operador abarca numerosos modelos. Las características pueden variar según los modelos. No todas las características que se incluyen en este manual se aplican a todos los modelos y el modelo que se ilustra aquí puede diferir del suyo.



**Este producto tiene un motor de baja emisión que funciona de manera diferente a los motores de modelos anteriores. Antes de poner en marcha el motor, debe leer y comprender este Manual del operador Craftsman y el Manual del operador del motor.**

### **⚠ PRECAUCIÓN**

**Antes de usar este equipo, lea este manual y siga todas las reglas de seguridad e instrucciones de funcionamiento.**

Si necesita respuestas a sus dudas sobre estos productos, llame a:

**1-888-331-4569**

Línea de atención al cliente Craftsman

**Sears Brands Management Corporation, Hoffman Estates, IL 60179 EE.UU.**

Visite nuestro sitio web: [www.craftsman.com](http://www.craftsman.com)

Formulario N.º 769-11355B  
(Diciembre 7 de 2016)

# INSTRUCCIONES DE SEGURIDAD

## ⚠️ ADVERTENCIA

Este símbolo indica instrucciones de seguridad importantes que, de no seguirse, pueden poner en peligro su seguridad personal y/o material y la de otras personas. Lea y cumpla todas las instrucciones de este manual antes de intentar hacer funcionar esta máquina. Si no respeta estas instrucciones puede provocar lesiones personales. Cuando vea este símbolo, ¡TENGA EN CUENTA LA ADVERTENCIA!

## ⚠️ PELIGRO

Esta máquina está diseñada para ser utilizada respetando las medidas de seguridad contenidas en este manual. Al igual que con cualquier tipo de equipo motorizado, un descuido o error por parte del operador puede producir lesiones graves. Esta máquina es capaz de amputar dedos, manos y pies y de arrojar residuos. De no respetar las instrucciones de seguridad siguientes, se pueden ocasionar lesiones graves o la muerte.

## ⚠️ ADVERTENCIA

### PROPOSICIÓN 65 DE CALIFORNIA

El escape del motor de este producto, algunos de sus componentes y algunos componentes del vehículo contienen o liberan sustancias químicas que el Estado de California considera que pueden producir cáncer, defectos de nacimiento u otros problemas reproductivos.

Los bornes y contactos de la batería, y los accesorios afines contienen plomo y compuestos de plomo, sustancias químicas que el Estado de California considera que pueden producir cáncer y daños en el sistema reproductivo. Lávese las manos después de estar en contacto con estos componentes.

## ⚠️ ADVERTENCIA

**Su responsabilidad**—Limite el uso de esta máquina motorizada a las personas que lean, comprendan y cumplan las advertencias e instrucciones que aparecen en este manual y en la máquina.

**¡GUARDE ESTAS INSTRUCCIONES!**

## Funcionamiento general

- Lea, entienda y cumpla todas las instrucciones incluidas en la máquina y en el(los) manual(es) antes de intentar realizar el montaje de la unidad y utilizarla. Guarde este manual en un lugar seguro para consultas futuras y periódicas, así como para solicitar repuestos.
- Familiarícese con todos los controles y con el uso adecuado de los mismos. Sepa cómo detener la máquina y desactivar los controles rápidamente.
- No permita nunca que los niños menores de 14 años utilicen esta máquina. Los niños de 14 años en adelante deben leer y entender las instrucciones de funcionamiento y las normas de seguridad contenidas en este manual y en la máquina y deben ser entrenados y supervisados por un adulto.
- Nunca permita que los adultos operen esta máquina sin recibir antes la instrucción apropiada.
- Para tratar de evitar el contacto con las cuchillas o una lesión por un objeto que sea arrojado, mantenga a los observadores, ayudantes, niños y mascotas alejados al menos 75 pies de la máquina mientras está funcionando. Pare la máquina si alguien ingresa a la zona.
- Inspeccione minuciosamente el área donde utilizará el equipo. Saque todas las piedras, palos, cables, huesos, juguetes y demás objetos extraños que puedan ser recogidos y arrojados por las cuchillas. Los objetos arrojados por la máquina pueden causar lesiones graves.
- Planifique el patrón de corte, para evitar que la descarga de material se realice hacia los caminos, las veredas, los observadores, etc. Evite además descargar material contra una pared u obstrucción, ya que esto podría hacer que el material descargado rebote contra el operador.
- Para protegerse los ojos utilice siempre anteojos o antiparras de seguridad mientras hace funcionar la máquina o mientras le hace ajustes o reparaciones. Los objetos arrojados que rebotan pueden lesionar gravemente los ojos.
- Utilice zapatos de trabajo resistentes, de suela fuerte, así como pantalones y camisas ajustados. Las prendas sueltas y las alhajas pueden quedar atrapadas en las piezas móviles. Nunca haga funcionar la máquina descalzo o con sandalias.
- Esté atento a la dirección de descarga de la cortadora y sus accesorios y no los apunte a nadie. Nunca opere la cortadora de césped sin tener bien colocada la cubierta de descarga o el colector de césped.
- No ponga las manos ni los pies cerca de las piezas rotatorias ni debajo de la plataforma de corte. El contacto con las cuchillas puede amputar manos y pies.
- Una cubierta de descarga faltante o dañada puede provocar lesiones por contacto con la cuchilla o por objetos arrojados.
- Detenga las cuchillas al cruzar sendas, senderos o caminos de grava y cuando no corte césped.
- Tenga cuidado con el tránsito cuando opere cerca de rutas o al cruzarlas. Esta máquina no está diseñada para ser usada en la vía pública.
- No haga funcionar la máquina si se encuentra bajo los efectos del alcohol o las drogas.
- Úsela solamente con luz natural o con buena luz artificial.
- Nunca lleve pasajeros.
- Retroceda lentamente. Siempre mire hacia abajo y hacia atrás antes y mientras retrocede para evitar accidentes. Esté atento y vigile el funcionamiento del sistema de seguridad que corta la energía de las cuchillas al conducir marcha atrás. Si no funciona correctamente, póngase en contacto con un distribuidor autorizado para que inspeccionen y reparen el sistema de seguridad.
- Reduzca la velocidad antes de girar. Haga funcionar la máquina de manera uniforme. Evite que funcione de manera errática y a excesiva velocidad.
- Desacople las cuchillas, ponga el freno de mano, pare el motor y espere hasta que las cuchillas se detengan por completo antes de retirar el colector de césped, vaciar los recortes, destapar el canal, retirar restos de césped o desechos, o hacer cualquier ajuste.
- Nunca deje la máquina en funcionamiento sin vigilancia. Apague siempre las cuchillas, coloque las palancas de control de transmisión en neutral, coloque el freno de mano, detenga el motor y retire la llave antes de bajarse del vehículo.
- Tenga mucho cuidado al cargar o descargar la máquina en un remolque o camión. Esta máquina no debe conducirse subiendo o bajando rampas, ya que la máquina podría volcar y provocar lesiones personales graves. La máquina se debe empujar a mano en rampas para cargarla o descargarla correctamente.
- El silenciador y el motor se calientan y pueden causar quemaduras. No los toque.
- Revise la holgura superior antes de conducir debajo de ramas bajas, cables, cerramientos de puertas, etc., donde el operador puede golpearse o ser tirado de la máquina, lo que podría resultar en lesiones graves.

# INSTRUCCIONES DE SEGURIDAD

- Desenganche todos los embragues de los aditamentos, coloque el freno de mano en la posición 'ON' (enganchado).
- Su máquina está diseñada para cortar césped residencial normal de una altura no mayor a 10 pulgadas. No intente cortar césped demasiado crecido, seco (como un pastizal) ni pilas de hojas secas. El césped o las hojas secas pueden entrar en contacto con el escape del motor y/o acumularse en la plataforma de corte presentando un potencial peligro de incendio.
- Utilice solamente accesorios e implementos aprobados para esta máquina por su fabricante. Lea, comprenda y siga todas las instrucciones incluidas con el accesorio o implemento aprobado.
- Los datos indican que los operadores de 60 años y más participan de un gran porcentaje de lesiones relacionadas con tractores cortacésped. Estas personas deben evaluar su capacidad para operar el tractor de manera suficientemente segura para protegerse a sí mismos y a otros de lesiones graves.
- Si se presentan situaciones que no están previstas en este manual, tenga cuidado y use el sentido común. Póngase en contacto con su representante de atención al cliente para obtener ayuda.

## Funcionamiento en pendientes

Las pendientes son uno de los principales factores asociados a los accidentes por pérdida de control y vuelcos que pueden producir lesiones graves o la muerte. Todas las pendientes exigen precaución adicional. Si no puede retroceder por la pendiente o si no se siente seguro, no realice ningún corte.

Para su seguridad, use el indicador de pendientes que se adjunta a este manual para medir la pendiente antes de operar la máquina en una zona inclinada. Si la pendiente es de más de 15°, como se muestra en el medidor, no haga funcionar esta máquina en ese sector o podría causar lesiones graves.

### Haga lo siguiente:

- Corte de forma transversal a la pendiente, no hacia arriba ni hacia abajo. Tenga sumo cuidado al cambiar de dirección en una pendiente.
- Esté atento a los hoyos, surcos, baches, rocas, y otros objetos ocultos. El terreno desnivelado puede hacer que la máquina vuelque. El césped alto puede ocultar obstáculos.
- Conduzca a baja velocidad. Elija una velocidad lo suficientemente baja, de modo que no tenga que detenerse mientras está en la pendiente. Evite arrancar o detenerse en una pendiente. Si los neumáticos no pueden mantener la tracción, desenganche las cuchillas y baje lentamente y con cuidado por la pendiente.
- Siga las recomendaciones del fabricante sobre los pesos o contrapesos de las ruedas para mejorar la estabilidad.
- Tenga mucho cuidado con los colectores de césped y otros complementos. Pueden modificar la estabilidad de la máquina.
- Todos los movimientos en las pendientes deben ser lentos y graduales. No haga cambios bruscos de velocidad o dirección. La aceleración o la reducción repentina de velocidad pueden hacer que el frente de la máquina se levante y dé una voltereta hacia atrás, lo que podría producir lesiones graves.

### No haga lo siguiente:

- No gire en pendiente a menos que sea necesario; si lo hace, gire lentamente cuesta arriba y tenga sumo cuidado al hacerlo.
- No corte el césped cerca de declives, zanjas o terraplenes. La cortadora puede volcarse repentinamente si una de las ruedas pasa el borde de un acantilado o zanja o si se desmorona un borde.
- No intente estabilizar la máquina poniendo el pie en el suelo.
- No utilice colector de césped en pendientes empinadas.
- No corte el césped húmedo. La falta de tracción puede hacer que patine.

- No remolque complementos de arrastrar pesados (como carrito de basura cargado, podadora de rodillos, etc.) en pendientes de más de 5°. Cuando se desplaza cuesta abajo, el peso adicional tiende a empujar el tractor y puede hacerle perder el control (por ejemplo, el tractor se puede acelerar, la capacidad de conducir y frenar se reducen, el complemento puede acodillarse y hacer que el tractor vuelque).

## Niños

- Pueden ocurrir accidentes trágicos si el operador no está atento a la presencia de niños. Por lo general, los niños se sienten atraídos por la máquina y su actividad. No entienden los riesgos ni los peligros. Nunca suponga que los niños permanecerán en el lugar donde los vio por última vez.
  - a. Mantenga a los niños fuera del área de corte y bajo estricta vigilancia de un adulto responsable además del operador.
  - b. Esté alerta y apague la máquina si un niño ingresa al área.
  - c. **Para evitar accidentes al retroceder**, siempre mire hacia atrás y hacia abajo por si hay niños.
  - d. Nunca transporte niños, ni siquiera con las cuchillas desactivadas. Podrían caerse y resultar gravemente heridos o interferir con la operación segura de la máquina.
  - e. Tenga mucho cuidado al aproximarse a las esquinas ciegas, puertas, arbustos, árboles u otros objetos que puedan obstaculizarle la vista de un niño que pudiese correr al encuentro de la máquina.
  - f. Mantenga a los niños alejados de los motores en marcha o calientes. Pueden sufrir quemaduras con un silenciador caliente.
  - g. Retire la llave cuando la máquina quede sin vigilancia para evitar el funcionamiento no autorizado.
- No permita nunca que los niños menores de 14 años utilicen esta máquina. Los niños de 14 años en adelante deben leer y entender las instrucciones de funcionamiento y las normas de seguridad contenidas en este manual y en la máquina y deben ser entrenados y supervisados por un adulto.

## Remolque

- Remolque únicamente con una máquina que tenga un enganche diseñado para remolcar. No acople equipo remolcado excepto en el punto de enganche.
- Siga las recomendaciones del fabricante en lo que respecta a los límites de peso de los equipos a remolcar y al remolque en pendientes.
- Nunca permita que los niños y otras personas se suban a equipos remolcados.
- En las pendientes, el peso del equipo remolcado puede causar pérdida de tracción y pérdida de control.
- El peso máximo para el remolque es de 50 libras y la carga máxima remolcada es de 250 libras.
- Nunca transporte a nadie en el equipo remolcado.
- Se puede perder tracción en las pendientes, inclinación máxima 5° (9%).
- Desplácese lentamente y deje distancia adicional para detenerse.
- Actúe con precaución al girar para evitar acodillamiento.
- Actúe con precaución adicional al operar marcha atrás.
- No modifique ni repare el enganche, reemplácelo si está dañado.
- Desplácese lentamente y deje distancia adicional para detenerse.
- No cambie a punto muerto para bajar por inercia.

# INSTRUCCIONES DE SEGURIDAD

## Servicio

### Manejo seguro de la gasolina:

- Para evitar lesiones personales o daños materiales tenga mucho cuidado al manipular la gasolina. **La gasolina es sumamente inflamable y sus vapores son explosivos.** Si se derrama gasolina encima o sobre la ropa se puede lesionar gravemente ya que se podría prender fuego. Lávese la piel y cámbiese de ropa de inmediato.
  - a. Utilice sólo los recipientes para gasolina autorizados.
  - b. Nunca llene los recipientes dentro de un vehículo o un camión o un remolque con recubrimiento plástico. Coloque siempre los recipientes en el piso y lejos del vehículo antes de llenarlo.
  - c. Cuando sea conveniente, retire el equipo a gasolina del camión o remolque y llénelo sobre el suelo. Si esto no es posible, llene el equipo en un remolque con un recipiente portátil, en vez de hacerlo desde un pico dispensador de gasolina.
  - d. En todo momento, mantenga el pico en contacto con el borde del depósito de combustible o con la abertura del recipiente, hasta terminar la carga. No utilice un dispositivo de apertura/cierre del pico.
  - e. Apague todos los cigarrillos, cigarros, pipas y otras fuentes de combustión.
  - f. Nunca cargue combustible en la máquina en un espacio cerrado.
  - g. Nunca saque la tapa del combustible ni agregue combustible mientras el motor está caliente o en marcha. Deje que el motor se enfríe por lo menos dos minutos antes de volver a cargar combustible.
  - h. Nunca llene en exceso el depósito de combustible. Llene el tanque no más de ½ pulgada por debajo de la base del cuello de llenado, para dejar espacio para la expansión del combustible.
  - i. Vuelva a colocar el tapón de combustible y ajústelo bien.
  - j. Limpie el combustible que se haya derramado sobre el motor y el equipo. Traslade la máquina a otra zona. Espere 5 minutos antes de arrancar el motor.
  - k. Para reducir el riesgo de incendio, mantenga la máquina limpia de pasto, hojas y residuos acumulados. Limpie los derrames de aceite o combustible y saque todos los residuos embebidos en combustible.
  - l. Nunca guarde la máquina o el recipiente de combustible en un espacio cerrado donde haya fuego, chispas o luz piloto, como por ejemplo de calentadores de agua, calefactores de ambientes, hornos, secadores de ropa u otros aparatos a gas.
  - m. Deje que la máquina se enfríe por lo menos cinco minutos antes de guardarla.

### Servicio general

- Nunca encienda el motor en espacios cerrados o en una zona con poca ventilación. El escape del motor contiene monóxido de carbono, un gas inodoro y letal.
- Antes de limpiar, reparar o inspeccionar la máquina, compruebe que las cuchillas y todas las piezas móviles se hayan detenido. Desconecte el cable de la bujía y póngalo haciendo masa contra el motor para evitar que se encienda accidentalmente.
- Controle periódicamente para asegurarse que las cuchillas se detienen completamente aproximadamente cinco (5) segundos después de accionar el control de desacople. Si las cuchillas no se detienen en este lapso, su máquina necesita un servicio profesional de un distribuidor autorizado.
- Controle periódicamente el funcionamiento del sistema de interbloqueo de seguridad, tal como se describe más adelante en este manual. Si el sistema de interbloqueo de seguridad no funciona correctamente, lleve su máquina a hacerle un servicio profesional de un distribuidor autorizado.
- Controle las cuchillas y los pernos de montaje del motor a intervalos frecuentes para verificar que estén bien apretados. Además, inspeccione visualmente las cuchillas para detectar la presencia de daños (por ejemplo: desgaste excesivo, abolladuras, rajaduras). Reemplace las cuchillas únicamente por cuchillas de los fabricantes del equipo original (O.E.M.) listados en este manual. "El uso de piezas que no cumplen con las especificaciones del equipo original podría producir un rendimiento inadecuado y además puede comprometer la seguridad."
- Las cuchillas de la cortadora son filosas. Envuelva la cuchilla o utilice guantes de extremo las precauciones cuando les haga mantenimiento.

- Mantenga todos los pernos, las tuercas y los tornillos bien ajustados para asegurarse de que la máquina se encuentra en condiciones seguras de funcionamiento.
- Nunca altere el sistema de interbloqueo de seguridad u otros dispositivos de seguridad. Controle periódicamente que funcionen correctamente.
- Después de golpear algún objeto extraño, detenga el motor, desconecte los cables de la bujía y conéctelos a tierra con el motor. Inspeccione minuciosamente la máquina para ver si está dañada. Repare el daño antes de volver a arrancar y operar la máquina.
- Nunca intente hacer ajustes o arreglos con el motor en marcha.
- Los componentes del colector de césped y la cubierta de descarga están sujetos a desgaste y daños que podrían dejar expuestas piezas móviles o permitir que se arrojen objetos. Para proteger su seguridad, verifique frecuentemente todos los componentes y reemplácelos inmediatamente sólo por repuestos de los fabricantes del equipo original (O.E.M.) listados en este manual. "El uso de piezas que no cumplen con las especificaciones del equipo original podría producir un rendimiento inadecuado y además puede comprometer la seguridad."
- No cambie la configuración del regulador del motor ni acelere demasiado el motor. El regulador del motor controla la velocidad máxima de funcionamiento seguro del motor.
- Mantenga o reemplace las etiquetas de seguridad y de instrucciones según sea necesario.
- Respete las normas y reglamentaciones sobre la manera correcta de eliminar gasolina, aceite, etc. para proteger el medio ambiente.
- Según la Comisión de Seguridad de Productos para el Consumidor de los Estados Unidos (CPSC) y la Agencia de Protección Ambiental de los Estados Unidos (EPA), este producto tiene una *vida útil media* de siete (7) años ó 270 horas de funcionamiento. Al finalizar la *vida útil media* haga inspeccionar anualmente la máquina por un distribuidor de servicio autorizado para cerciorarse de que todos los sistemas mecánicos y de seguridad funcionan correctamente y no están muy desgastados. Si no lo hace, puede ocasionar accidentes, lesiones o la muerte.

### No modifique el motor

Para evitar lesiones graves o la muerte, no modifique el motor de ninguna manera. Si altera la configuración del regulador, el motor se puede desbocar y funcionar a velocidades que no son seguras. Nunca cambie la configuración de fábrica del regulador del motor.

### Aviso referido a emisiones

Los motores que están certificados y cumplen con las normas sobre emisiones federales EPA y de California para SORE (Equipos pequeños todo terreno) están certificados para funcionar con gasolina sin plomo común y pueden incluir los siguientes sistemas de control de emisiones: Modificación de motor (EM) y catalizador de tres vías (TWC) si están equipados con esos sistemas.

Cuando sea necesario, los modelos están equipados con líneas de combustible y depósitos de combustible de baja penetración para controlar las emisiones por evaporación. Los modelos para California también pueden incluir un filtro de carbón. Por favor, póngase en contacto con Atención al cliente para obtener información sobre la configuración del control de emisiones por evaporación para su modelo.

### Amortiguador de chispas

## ⚠ ADVERTENCIA

Esta máquina está equipada con un motor de combustión interna y no debe utilizarse en o cerca de un terreno agreste cubierto de bosque, malezas o pasto a menos que el sistema de escape del motor esté equipado con un amortiguador de chispas que cumpla con las leyes locales o estatales vigentes (si las hay).

Si se utiliza un amortiguador de chispas el operador lo debe mantener en condiciones de uso adecuadas. En el Estado de California, las medidas anteriormente mencionadas son exigidas por ley (Artículo 4442 del Código de Recursos Públicos de California). Es posible que existan leyes similares en otros estados. Las leyes federales se aplican en territorios federales. Puede conseguir el amortiguador de chispas para el silenciador a través de su distribuidor autorizado de motores más cercano o poniéndose en contacto con el departamento de servicios, P.O. Box 361131 Cleveland, Ohio 44136-0019.

# INSTRUCCIONES DE SEGURIDAD

## Símbolos de seguridad

En esta página se presentan y describen los símbolos de seguridad que pueden aparecer en este producto. Lea, comprenda y siga todas las instrucciones incluidas en la máquina antes de intentar armarla y hacerla funcionar.

Símbolo	Descripción
	<b>LEA LOS MANUALES DEL OPERADOR</b> Lea, entienda y siga todas las instrucciones incluidas en los manuales antes de intentar armar la unidad y hacerla funcionar.
	<b>PELIGRO — CUCHILLAS GIRATORIAS</b> Nunca lleve pasajeros. Nunca transporte niños, ni siquiera después de haber desconectado las cuchillas.
	<b>PELIGRO — CUCHILLAS GIRATORIAS</b> Se recomienda no cortar marcha atrás.
	<b>PELIGRO — CUCHILLAS GIRATORIAS</b> No coloque las manos ni los pies cerca de piezas que giran ni debajo de la plataforma de corte. El contacto con las cuchillas puede amputar manos y pies.
	<b>PELIGRO — CUCHILLAS GIRATORIAS</b> Mire hacia abajo y hacia atrás antes y mientras se desplaza marcha atrás, para evitar un accidente al retroceder.
	<b>ADVERTENCIA - OBJETOS LANZADOS</b> Esta máquina puede recoger y lanzar objetos que pueden causar lesiones personales graves.
	<b>PELIGRO — DISPOSITIVOS DE SEGURIDAD</b> Mantenga los dispositivos de seguridad (guardas, protectores, interruptores, etc.) en su lugar y funcionando.
	<b>ADVERTENCIA — OBSERVADORES</b> Mantenga a los observadores, ayudantes, mascotas y niños por lo menos a 75 pies (23 m.) de la máquina mientras está en funcionamiento.
	<b>ADVERTENCIA — OPERACIÓN EN PENDIENTE</b> No utilice esta máquina en una pendiente mayor de 15°. No corte el césped subiendo y bajando la pendiente. Corte de forma transversal en pendientes no mayores de 15°. Evite realizar giros abruptos. Conduzca a baja velocidad. Si la máquina se para mientras sube la pendiente, pare las cuchillas y retroceda lentamente para abajo.
	<b>ADVERTENCIA— SUPERFICIE CALIENTE</b> Las piezas del motor, especialmente el silenciador, se recalientan durante la operación. Deje que el motor y el silenciador se enfríen antes de tocarlos.
	<b>PELIGRO — CUCHILLAS GIRATORIAS</b> Para reducir el riesgo de lesiones, mantenga alejados manos y pies. No haga funcionar sin que la tapa de descarga o el colector de césped se encuentren en el lugar que corresponde. Si están dañados, reemplácelos inmediatamente.
	<b>ADVERTENCIA — RIESGO DE INCENDIO</b> Deje que la máquina se enfríe antes de cargar combustible o almacenarla.
	<b>ADVERTENCIA — RIESGO DE INCENDIO</b> No conduzca sobre pilas de hojas secas o pasto alto.
	<b>ADVERTENCIA — RIESGO DE INCENDIO</b> No permita que se acumulen residuos. La acumulación de desechos puede dar lugar a un incendio.



# ARMADO

## Contenido del cajón

- Tractor cortacésped con radio de giro cero
- Un acoplador de manguera para lavado de plataforma
- Un Manual del operador
- Un Manual de operación del motor
- Dos tornillos hexagonales y arandelas planas

## Preparación del tractor cortacésped

1. Retire el material de embalaje superior del pálet de embarque, y corte cualquier banda o fleje que fije el tractor cortacésped al pálet.
2. Si la plataforma no está en la posición de corte más alta (tirada totalmente hacia atrás), use la manija de elevación de la plataforma para levantar la plataforma a su posición más alta. Consulte la sección Controles y características para obtener las instrucciones para levantar y bajar la plataforma.
3. Desenganche el freno de mano.
4. Enganche las varillas de derivación de la transmisión que se encuentran a cada lado del tractor cortacésped; luego haga rodar dicho tractor con cuidado fuera del pálet de embarque. Las varillas de derivación de la transmisión (una para cada transmisión, lado derecho y lado izquierdo) están ubicadas en la parte trasera del tractor cortacésped, justo dentro de cada rueda trasera. Enganche las varillas de derivación tirando de cada una hacia afuera hacia la derecha y luego dejando que regresen para trabarlas en su lugar. Vea la Figura 1.

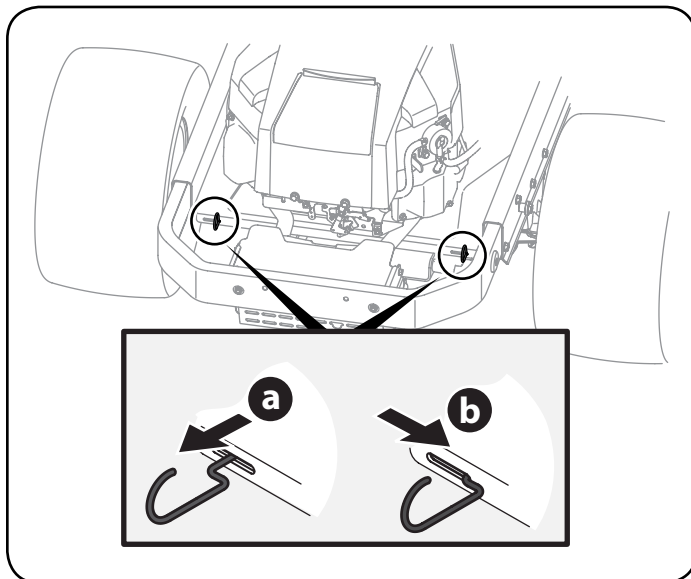


Figura 1

5. Desenganche las varillas de derivación después de hacer rodar el tractor cortacésped fuera del pálet. Vea la Figura 1.
6. Retire el acople de la manguera de lavado de la plataforma de la bolsa manual y guárdelo para uso futuro.

## Columna del volante

La columna de la dirección se inclina totalmente hacia atrás para el embarque. Ubique la columna del volante en una de las dos posiciones y sujétela en su lugar con los tornillos hexagonales y las arandelas planas que se envían por separado. Vea la Figura 2.

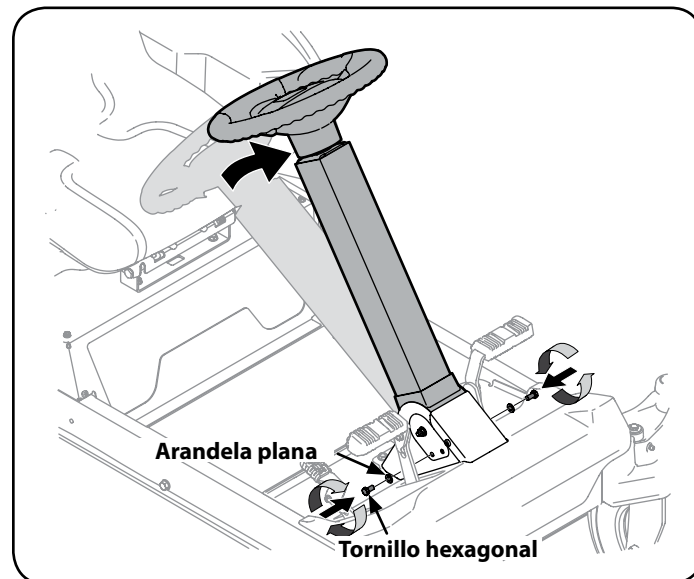


Figura 2

## Volante

1. Retire los elementos de ferretería para fijar el volante que están debajo de la tapa del volante. Extraiga con cuidado la cubierta del volante mediante palanca para retirar los elementos de ferretería.
2. Con las ruedas del tractor cortacésped ubicadas rectas hacia adelante, coloque el volante sobre el eje de dirección.

# ARMADO

- Coloque la arandela plana y la arandela belleville por encima del volante y ajústelas con el tornillo hexagonal. Vea la Figura 3.

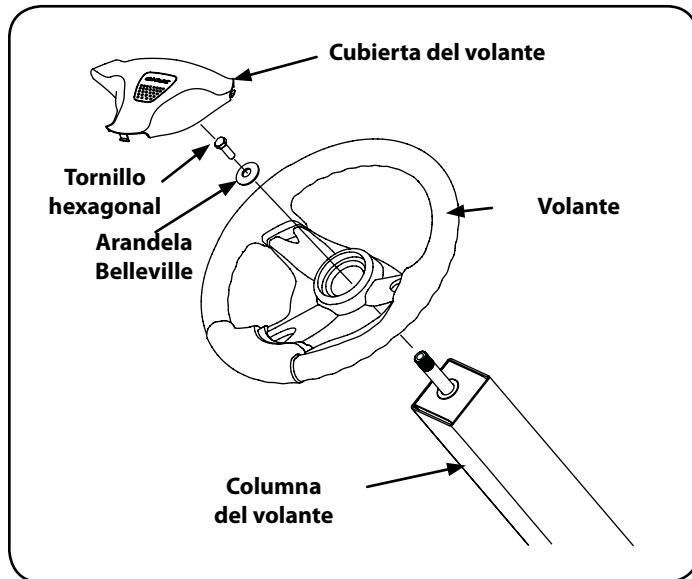


Figura 3

- Coloque la cubierta del volante encima del centro del volante y empuje hacia abajo hasta que haga clic al encajar en su lugar.

## Instale el asiento del operador

Para instalar el asiento proceda de la siguiente manera:

**NOTA:** El asiento se envía con el interruptor de asiento y el contenedor del asiento acoplados. Es posible que se necesite una segunda persona para que sujete el asiento.

- Corte cualquier tira que sujete el conjunto del asiento al tractor cortacésped. Quite cualquier material de empaque.

**NOTA:** Tenga cuidado de no cortar el cableado que conecta el asiento al interruptor del asiento en la parte inferior del asiento.

- Quite los dos tornillos con reborde y las tuercas de seguridad con brida del contenedor del asiento tal como se muestra en Figura 4.

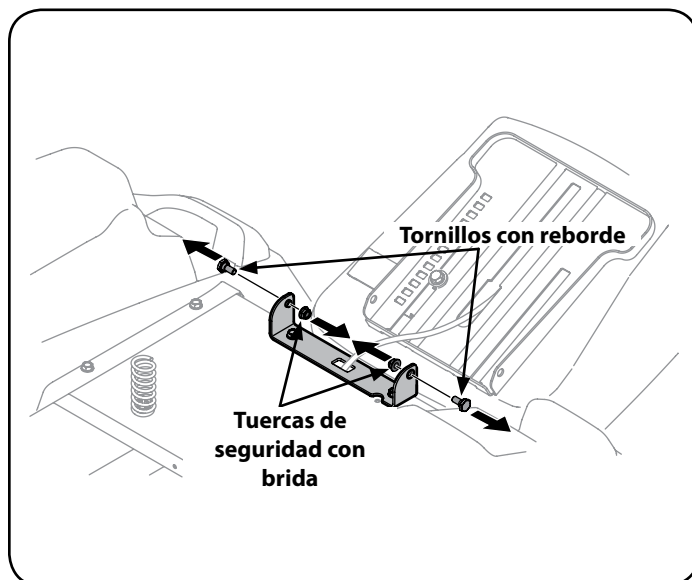


Figura 4

- Gire el asiento hasta la posición deseada y asegúrelo en su lugar con los tornillos de reborde y las tuercas de seguridad con brida que extrajo antes. Tenga cuidado de no doblar o dañar el cableado mientras instala el asiento. Vea la Figura 5.

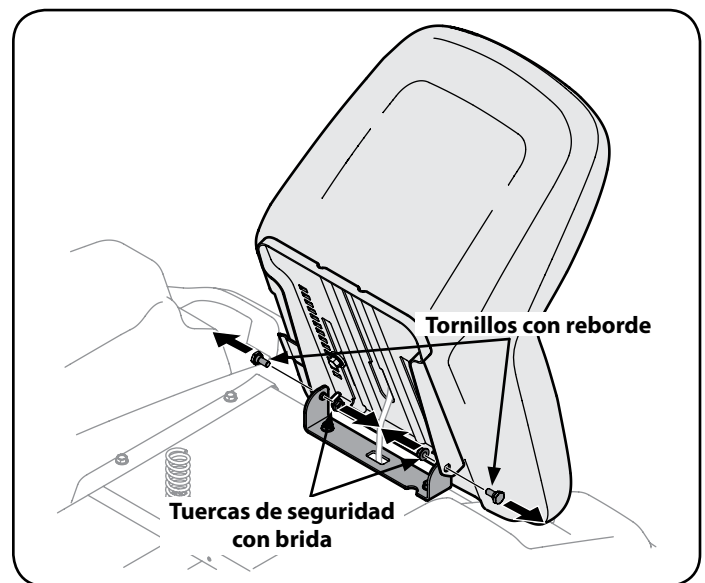


Figura 5

**NOTA:** Asegúrese de empujar el cable excedente del cableado para que ingrese en el orificio de la caja del asiento antes de continuar.

## Baje el deflector del canal de descarga de la plataforma

### ⚠ ADVERTENCIA

Nunca opere la plataforma de corte sin el deflector del canal de descarga instalado y en posición baja.

**NOTA:** Para modelos con una plataforma de 50" pase directamente al paso 6.

- Retire las chavetas que están sujetas con una unión con cierre al soporte del canal.
- Retire la tuerca de seguridad con brida y el tornillo hexagonal de la plataforma.
- Ubique el deflector del canal en la plataforma, asegúrese de insertar las lengüetas de dicho deflector en los orificios de la plataforma. Vea la Figura 6.

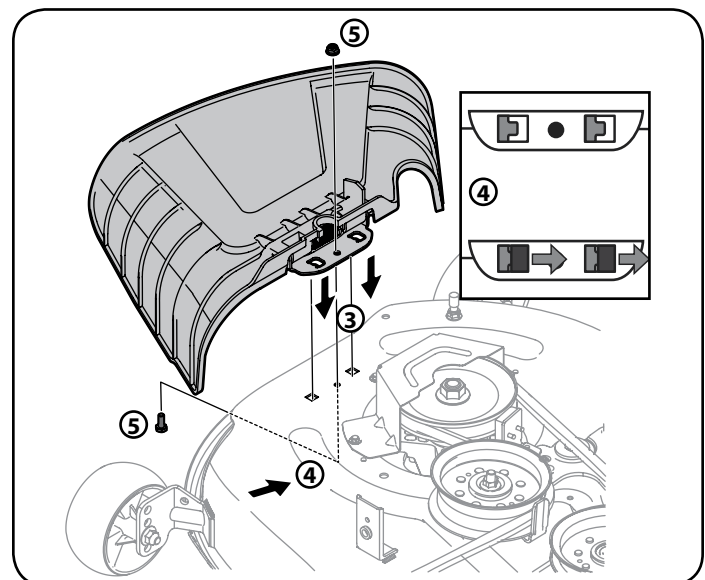


Figura 6

# ARMADO

- Después de colocar las lengüetas en la plataforma, deslice el deflector del canal hacia la parte posterior del tractor cortacésped hasta que el orificio del perno que está en el deflector del canal quede alineado con el orificio de la plataforma. Vea la Figura 6.
- Sujete el deflector del canal en su lugar con la tuerca de seguridad con brida y el tornillo hexagonal que se extrajeron en el paso 2. Ajuste hasta 102-124 pulg. libras. Vea la Figura 6.
- En los modelos con una plataforma de 50", el canal se envía sujeto y con un soporte de tope que lo mantiene en posición vertical. Se deben quitar los soportes de tope antes de utilizar el tractor cortacésped.
- Sosteniendo el canal deflector totalmente hacia arriba, extraiga la traba de seguridad. Baje el deflector del canal y descarte la traba de seguridad. Vea la Figura 7.

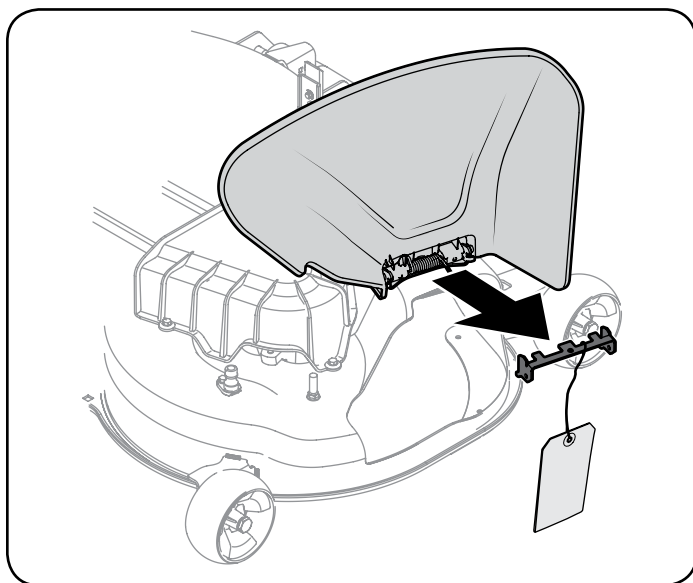


Figura 7

## Ajuste de las ruedas de calibración delanteras

### ⚠ ADVERTENCIA

Mantenga las manos y los pies alejados de la abertura de descarga de la plataforma de corte.

NOTA: Las ruedas de la plataforma constituyen un mecanismo para el cuidado del césped y no fueron diseñadas para soportar el peso de la plataforma de corte.

Mueva el tractor cortacésped a una superficie firme y nivelada, preferentemente sobre el pavimento, y realice lo siguiente:

- Controle la presión de los neumáticos, asegúrese que es la correcta e igual en todos los neumáticos.
- Asegúrese de que la plataforma está nivelada, de atrás hacia adelante y de lado a lado. Consulte Ajustes en la sección Servicio y mantenimiento para obtener información e instrucciones para nivelar la plataforma.
- Seleccione la posición de altura de la plataforma de corte colocando la palanca de elevación de la plataforma en la configuración de altura de corte normalmente deseada.
- Controle si las ruedas están en contacto con la superficie de abajo o si hay excesiva separación. Las ruedas de la plataforma deben tener entre  $\frac{1}{4}$  y  $\frac{1}{2}$  pulgada de separación respecto del suelo. Proceda como se indica a continuación para ajustar las ruedas:

- Retire la tuerca de seguridad que fija uno de los tornillos con reborde de las ruedas de calibración delanteras a la plataforma. Retire la rueda de calibración y el tornillo con reborde. Vea la Figura 8.

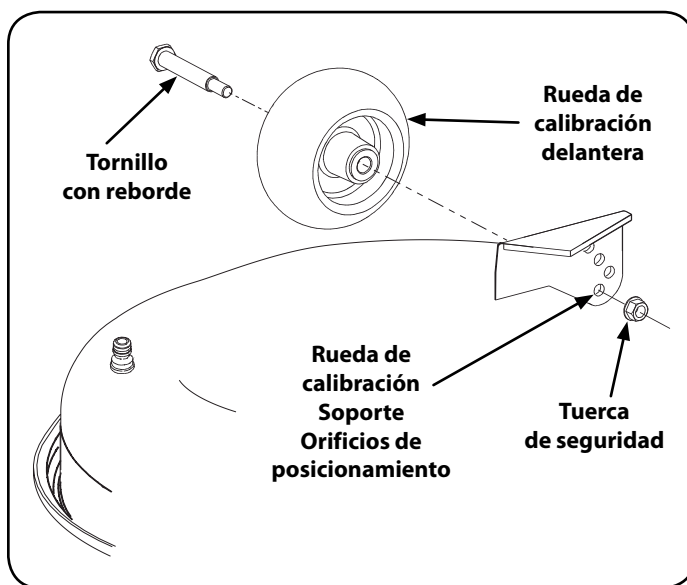


Figura 8

- Inserte el tornillo con reborde en uno de los cuatro orificios de posicionamiento, en el del soporte de rueda de calibración delantera que dé a la rueda de calibración una separación de  $\frac{1}{4}$ -- $\frac{1}{2}$ " del suelo.
- Observe el orificio de posicionamiento de la rueda que acaba de ajustar y ajuste la otra rueda de calibración delantera en el orificio de posicionamiento respectivo del otro soporte de rueda de calibración delantera de la plataforma.

**NOTA:** Consulte Ajustes en la sección Servicio y mantenimiento de este manual donde encontrará instrucciones más detalladas sobre diversos ajustes de la plataforma.

## Conexión de los cables de la batería

### ⚠ ADVERTENCIA

Advertencia **PROPOSICIÓN 65 DE CALIFORNIA!** Los bornes y contactos de la batería, y los accesorios afines contienen plomo y compuestos de plomo, sustancias químicas que el Estado de California considera que pueden producir cáncer y daños en el sistema reproductivo. Lávese las manos después de estar en contacto con estos componentes.

### ⚠ PRECAUCIÓN

Cuando coloque los cables de la batería, conecte siempre primero el cable POSITIVO (rojo) a su borne, y a continuación el cable NEGATIVO (negro).

Por razones relacionadas con el envío, los dos cables de la batería de su equipo se pueden haber dejado desconectados de los terminales en fábrica. Para conectar los cables de la batería, proceda de la siguiente manera:

**NOTA:** El borne positivo de la batería está marcado como Pos (+). El borne negativo de la batería está marcado como Neg (-).

**NOTA:** Si el cable positivo de la batería ya está conectado, siga con el paso 2.

# ARMADO

1. Retire la cubierta plástica, si es que está presente, del borne positivo de la batería y una el cable rojo al borne positivo de la batería (+) utilizando el perno y la tuerca hexagonal. Vea la Figura 9.

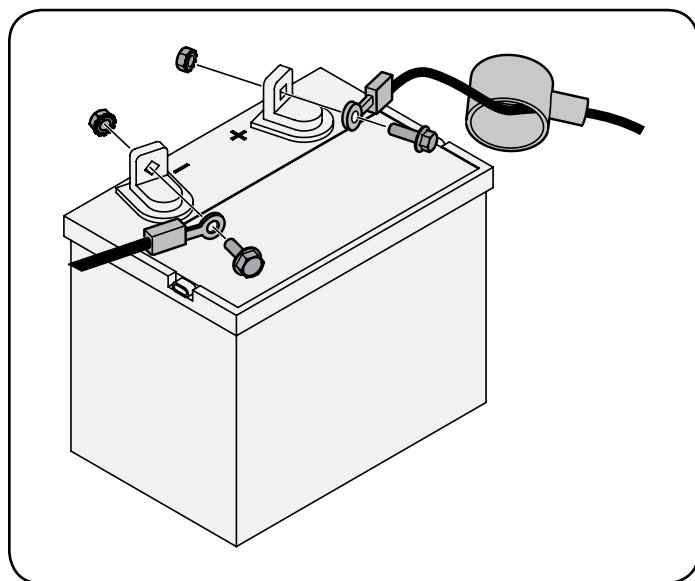


Figura 9

2. Retire la cubierta plástica, si es que está presente, del borne negativo de la batería y una el cable negro al borne negativo de la batería (-) utilizando el perno y la tuerca hexagonal. Vea la Figura 9.
3. Coloque el capuchón de caucho rojo por encima del borne positivo de la batería para protegerlo contra la corrosión.

**NOTA:** Si la batería se pone en funcionamiento después de la fecha indicada en su parte superior/al costado de la misma, cárguela siguiendo las instrucciones de la sección Servicio y mantenimiento de este manual del operador antes de hacer funcionar el tractor cortacésped.

## Ajuste del asiento

Para ajustar la posición del asiento, gírelo hacia adelante y ubique las dos perillas de ajuste en el frente del contenedor del asiento. Consulte la Figura 10.

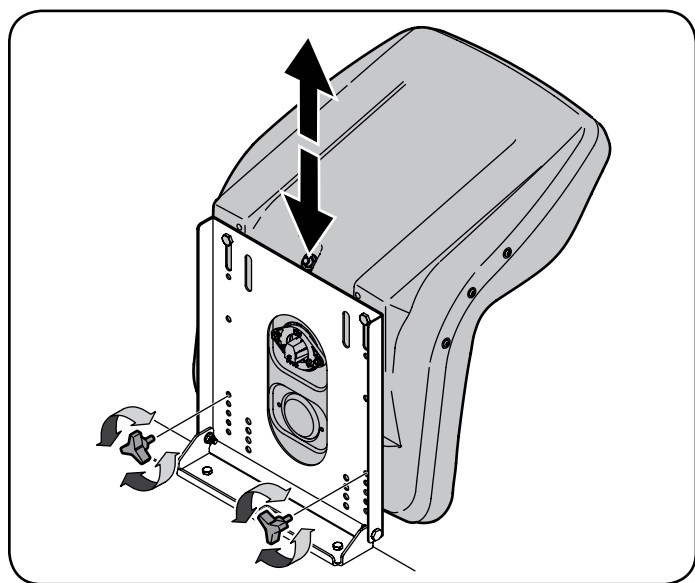


Figura 10

Gire las perillas de abrazadera hacia la izquierda y extráigalas, deslice el asiento hacia adelante o atrás y vuelva a insertar dichas perillas en una de las cuatro posiciones disponibles del contenedor del asiento y dentro del asiento, luego ajuste bien. Asegúrese de que el asiento esté fijo en su posición antes de operar el tractor. Vea la figura 10.

## Carga de combustible

### ⚠ ADVERTENCIA

Tenga mucho cuidado al trabajar con gasolina. La gasolina es sumamente inflamable y sus vapores son explosivos. Nunca agregue combustible al tractor cortacésped en interiores ni mientras el motor está caliente o en funcionamiento. Apague cigarrillos, cigarros, pipas y otras fuentes de combustión.

1. Compruebe que el motor esté al aire libre en una zona bien ventilada.
2. Limpie el área que está alrededor de la tapa del depósito de combustible y quite dicha tapa.
3. Use un recipiente rojo para GASOLINA aprobado y agregue el combustible lentamente, tomando la precaución de evitar derrames.
4. Llene el depósito hasta que el combustible llegue a la base del cuello de llenado del depósito de combustible.
5. Vuelva a colocar la tapa del combustible y ajústela bien. Antes de poner en marcha el motor, debe limpiar el combustible que se haya derramado. Si se derrama combustible NO ponga en marcha el motor. Mueva el tractor cortacésped para alejarlo de la zona del derrame. Evite generar una fuente de encendido hasta que los vapores del combustible hayan desaparecido.

## Procedimiento para controlar y agregar aceite

Su tractor cortacésped se envía con aceite en el motor. Sin embargo, usted DEBE controlar el nivel de aceite antes de hacerlo funcionar. Controle y agregue el aceite como se indica en el Manual del operador del motor.

## Activación de Bluetooth® inteligente Césped App



Tome el control del cuidado de su césped con Smart Lawn, la aplicación con tecnología Bluetooth® de Craftsman. Sugerencias de mantenimiento, seguimiento del tiempo y más; todo lo que usted necesita para cuidar del mejor jardín de la manzana lo encuentra ahora en un solo lugar.

Smart Lawn también le proporciona instrucciones detalladas y tutoriales en video para enseñarle a conservar su tractor cortacésped funcionando correctamente. Además, puede pedir las piezas que necesita directamente desde la aplicación. La aplicación también controla la carga de la batería de su cortacésped, así como el estado de otros componentes de reposición importantes, como el aceite, las cuchillas y el filtro de aire.

Conecte su tractor cortacésped compatible con Bluetooth® descargando la aplicación GRATUITA Smart Lawn de Craftsman, ¡y comience a usar todas las nuevas funciones de conectividad de su tractor Craftsman! Descárguelo de forma GRATUITA desde la App Store o desde Google Play (funciona con dispositivos con iOS 9, Android 4.4 y versiones posteriores).

Una vez que haya creado su cuenta, la aplicación le pedirá que introduzca el número de modelo y los códigos de barras del número de serie de su cortacésped. A continuación intentará conectarse con el cortacésped a través de Bluetooth®.

Active la función Bluetooth® de su smartphone. Para sincronizar el teléfono con el cortacésped, encienda el motor, o gire la llave a la posición 'ON'. Recuerde que debe volver la llave a la posición 'OFF' después de conectarse para no descargar la batería (si no va a operar el tractor cortacésped).

Si tiene alguna duda, llame a la línea de ayuda de Craftsman al 1-888-331-4569.

# FUNCIONAMIENTO

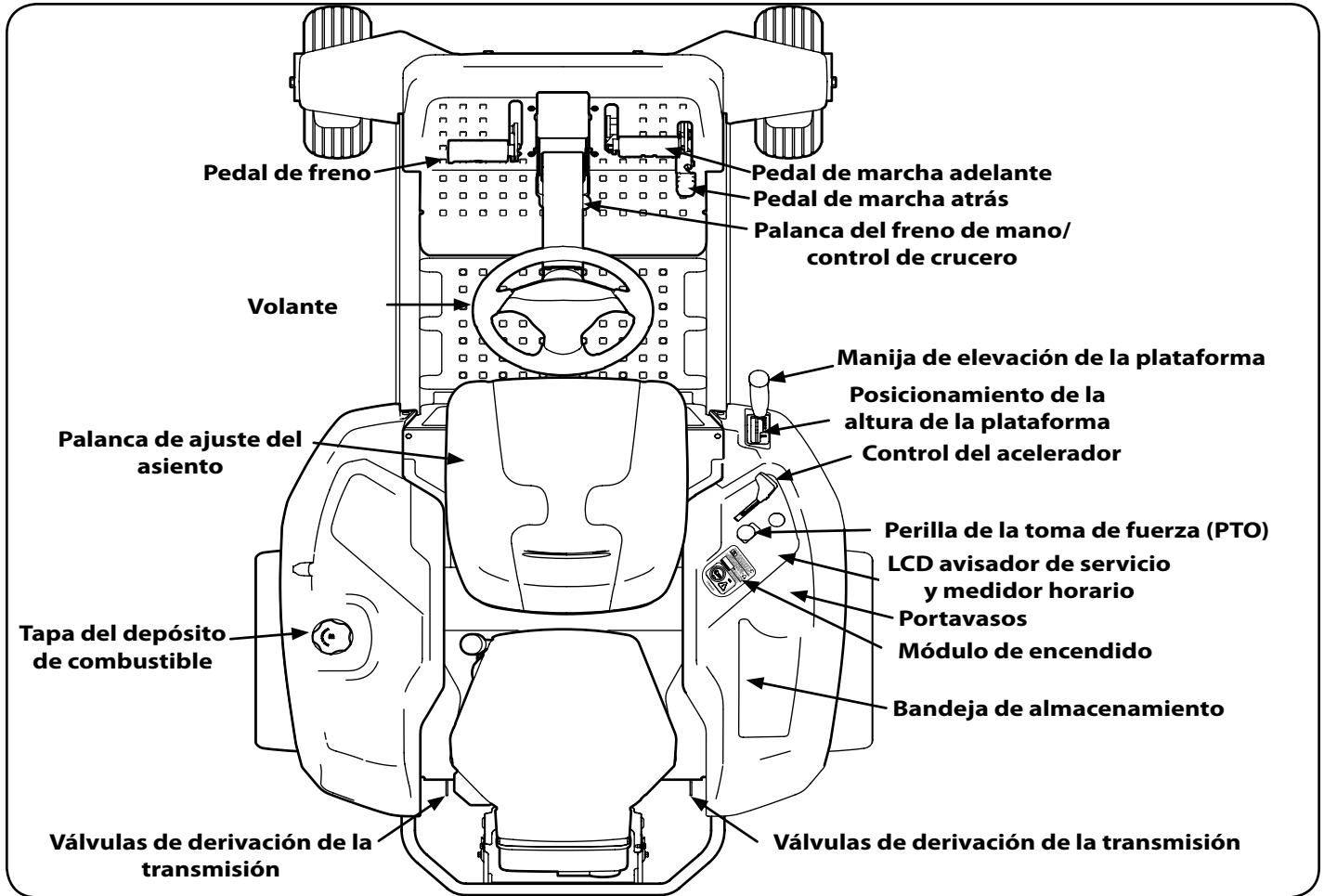


Figura 11

Ahora que ya ha ajustado su tractor cortacésped para el funcionamiento, es importante familiarizarse con sus controles y características. Consulte la Figura 11.

**NOTA:** Las referencias a IZQUIERDA, DERECHA, ADELANTE Y ATRÁS indican esa posición desde el asiento del operador en el tractor, mirando hacia adelante.

## Posicionamiento de la altura de la plataforma

El posicionamiento de la altura de la plataforma consiste en ocho muescas de posición ubicadas en la parte delantera/derecha de la consola. Cada muesca corresponde a 1/2" de variación en la posición de la altura de la plataforma que varía desde 1-1/2" en la muesca más baja hasta 4" en la muesca más alta.

## Manija de elevación de la plataforma

La manija de elevación de la plataforma se encuentra en la parte delantera/derecha de la consola, y se utiliza para levantar y bajar la plataforma de la cortadora de césped.

Tire de la palanca hacia la izquierda para sacarla de la muesca de posición y empuje hacia abajo para bajar la plataforma o hacia arriba para elevarla. Cuando alcance la altura deseada, mueva la palanca de elevación hacia la derecha para que encaje totalmente en la muesca de posición.

## Portavasos

El portavasos está ubicado en la consola del lado derecho, a la derecha del asiento del operador.

## Bandeja de almacenamiento

La bandeja de almacenamiento está ubicada en la parte posterior de la consola del lado derecho.

## LCD avisador de servicio y medidor horario w/ Activación de Bluetooth® inteligente Césped App

### ⚠ ADVERTENCIA

Nunca deje la máquina en funcionamiento sin vigilancia. Siempre desconecte la toma de fuerza (PTO), ponga el freno de mano, pare el motor y retire la llave.

Para arrancar el motor, inserte la llave de encendido y presione durante 1.5 segundos hasta que el motor comience a arrancar. Si el motor no arranca al cabo de 5 segundos, se producirá un retardo de 3 segundos. Suelte la llave y oprima nuevamente para intentar que arranque.

**NOTA:** Si se oprime el botón de MODO DE PRECAUCIÓN EN MARCHA ATRÁS durante el arranque, se cancela la secuencia de arranque y se debe volver a comenzar.

Para parar el motor, oprima o saque la llave de encendido.

### ⚠ PRECAUCIÓN

Antes de operar el tractor, consulte las secciones **INTERRUPTORES DE INTERBLOQUEO DE SEGURIDAD** y **ARRANQUE DEL MOTOR** de este manual para obtener instrucciones detalladas para el Módulo del interruptor de encendido y para el funcionamiento del tractor cortacésped en el **MODO PRECAUCIÓN EN MARCHA ATRÁS**.

Cuando se inserta la llave de encendido y se la presiona menos de 1.5 segundos, el LCD avisador de servicio y medidor horario mostrará brevemente la tensión de la batería, seguido de las horas acumuladas del tractor cortacésped.

**NOTA:** Las horas de funcionamiento  del tractor cortacésped se registran únicamente cuando el motor está en marcha. Si el tractor cortacésped está equipado con faros, las luces permanecerán hasta el tractor cortacésped está apagado.



# FUNCIONAMIENTO

El LCD avisador de servicio le recuerda al operador los intervalos de mantenimiento para el cambio del aceite del motor, el servicio del filtro de aire, las advertencias de bajo nivel de aceite y poca batería.

## App Smart Lawn



El tablero de mantenimiento automatizado y el registro de la aplicación le ayudarán a mantener su máquina funcionando al máximo rendimiento y protegerán su inversión con el seguimiento total de horas durante toda la vida útil de su equipo.

Reciba notificaciones cuando ha llegado el momento de realizar las tareas esenciales de mantenimiento. Su tablero le proporciona monitorización en tiempo real y le indica cuándo debe verificar o cambiar el aceite, el filtro de aire, las cuchillas o la batería. La aplicación también le permite localizar y contactar con centros de servicio, acceder a instrucciones detalladas para realizar mantenimiento de rutina y adquirir repuestos directamente desde su dispositivo móvil.

## Cambiar el aceite

En la pantalla LCD aparecen las letras "CHG" (cambiar), seguidas de las letras "OIL" (aceite) durante dos horas antes de que el medidor llegue a las 50 horas. Este intervalo del avisador de servicio de aceite se producirá cada 50 horas. Antes de que caduque el intervalo, cambie el aceite del motor como se indica en la sección Mantenimiento y ajustes del Manual del operador del motor.

## Función "Nivel bajo de aceite" (si está instalada)

Las letras "LO" (nivel bajo) seguidas de las letras "OIL" (aceite), seguidas luego por las letras "PRESSURE" (presión) indicarán que el tractor cortacésped tiene poco aceite. Cuando un motor no está en funcionamiento e inmediatamente después de que el motor arranca, la presión de aceite puede estar baja. Esto puede activar el texto "LO" "OIL" (nivel bajo de aceite). Esto es normal. Si la indicación de nivel bajo de aceite persiste, pare el tractor cortacésped inmediatamente y compruebe el nivel de aceite del motor según las instrucciones del Manual del operador del motor.

**NOTA:** La función "LOW OIL" (nivel bajo de aceite) solo funciona si el motor tiene un interruptor de presión de aceite.

## Nivel bajo/alto de la batería

Al arrancar, se visualiza fugazmente el voltaje de la batería y luego cambia a horas acumuladas. Aparecerá el indicador de la batería, seguido por las letras "LO" (bajo) y luego por las letras "BATT" (batería) en la pantalla LCD cuando el voltaje se reduce a menos de 11.0 voltios. Cuando esto ocurre, significa que se debe cargar la batería o que el sistema de carga del motor no genera suficiente amperaje. Cargue la batería como se indica en la sección Servicio y mantenimiento de este manual o haga controlar el sistema de carga por su distribuidor de servicio local.

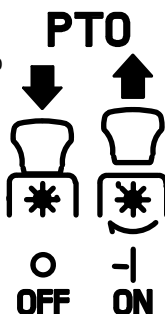
Al arrancar, se visualiza fugazmente el voltaje de la batería y luego cambia a horas acumuladas. Aparecerá el indicador de la batería, seguido por las letras "HI" (alto) y luego por las letras "BATT" (batería) en la pantalla LCD cuando el voltaje se incremente a más de 16.0 voltios. Cuando esto suceda, haga controlar el sistema de carga por su distribuidor de servicio local.

## Perilla de la toma de fuerza (PTO)

La perilla de la toma de fuerza (PTO) está ubicada en la consola del lado derecho, a la derecha del asiento del operador.

La perilla de la toma de fuerza (PTO) hace funcionar el embrague eléctrico de toma de fuerza (PTO) que está montado en la base del cigüeñal del motor. Tire de la perilla del interruptor hacia arriba para engranar el embrague de la toma de fuerza (PTO), o empuje la perilla hacia abajo para desengranar el embrague.

Al arrancar el motor, la perilla de la toma de fuerza (PTO) debe estar en posición "desengranada".



## Tapa del depósito de combustible

La tapa del depósito de combustible está ubicada en la consola del lado izquierdo. Gire el tapón de llenado para retirarlo. Siempre vuelva a colocar el tapón de combustible bien ajustado en el depósito después de quitarlo.

### ⚠ ADVERTENCIA

**Nunca recargue el depósito de combustible si el motor está en funcionamiento. Si el motor está caliente por haber funcionado hasta hace poco, déjelo enfriar varios minutos antes de cargar combustible. La gasolina es muy inflamable y podría salpicar el motor y causar un incendio.**

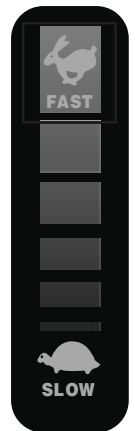
## Control del acelerador

El control del acelerador está ubicado en la consola del lado derecho, a la izquierda del medidor horario/panel indicador. Cuando se lo coloca en determinada posición, se mantiene una velocidad de motor uniforme.

Empuje la palanca de control del acelerador hacia adelante para aumentar la velocidad del motor. El tractor cortacésped se ha diseñado para que funcione con el control del acelerador en la posición FAST (velocidad rápida) (aceleración máxima) cuando se desplaza el tractor cortacésped y la plataforma de corte está enganchada.

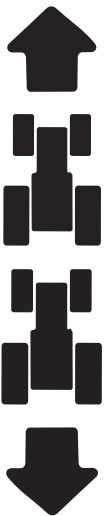
Tire de la palanca de control del acelerador hacia atrás para reducir la velocidad del motor.

**NOTA:** El motor está equipado con un sistema de Smart-Choke™, para un mejor rendimiento funcionar el motor a máxima aceleración.



## Pedal de marcha adelante

El pedal de marcha adelante está ubicado a la derecha del tractor cortacésped, a lo largo del estribo. Presione el pedal de marcha adelante hacia adelante para que el tractor cortacésped se mueva en esa dirección. La velocidad absoluta también se controla con el pedal de marcha adelante. Cuanto más se gire el pedal hacia adelante, más rápido se moverá el tractor cortacésped. El pedal volverá a su posición original cuando deje de presionarlo.



## Pedal de marcha atrás

El pedal de marcha atrás está ubicado a la derecha del tractor cortacésped, a lo largo del estribo. La velocidad absoluta también se controla con el pedal de marcha atrás. Cuanto más se gire el pedal hacia abajo, más rápido se moverá el tractor cortacésped. El pedal volverá a su posición original cuando deje de presionarlo.

## Válvulas de derivación de la transmisión

Las válvulas de derivación de la transmisión (una para cada transmisión, lado derecho y lado izquierdo) están ubicadas en la parte de abajo del tractor cortacésped, en la parte posterior de cada transmisión, dentro de las ruedas traseras.

Cuando están activadas, las dos válvulas abren una derivación dentro de las transmisiones hidrostáticas, lo cual permite empujar el tractor cortacésped a mano a lo largo de distancias cortas. Consulte la sección Armado e Instalación para obtener instrucciones sobre el uso de la función de derivación.

# FUNCIONAMIENTO

## Freno de mano/Pedal de bloqueo del control de crucero

### ⚠ ADVERTENCIA

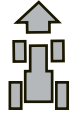
Nunca deje la máquina en funcionamiento sin vigilancia. Siempre desconecte la toma de fuerza (PTO), ponga el freno de mano, pare el motor y retire la llave, para evitar que el motor arranque accidentalmente.

El freno de mano/pedal de bloqueo del control de crucero está ubicado en la base de la columna de la dirección. Se usa para poner el freno de mano cuando el tractor cortacésped está inactivo. Engranar la palanca mientras el tractor cortacésped está en movimiento, permite que se mantenga a velocidad constante sin presionar el pedal de transmisión marcha adelante. Consulte la sección Funcionamiento de este manual para ver instrucciones detalladas sobre el freno de mano y la función de control de crucero.

**NOTA:** El control de crucero NO podrá activarse a la velocidad absoluta más rápida del tractor cortacésped. Si el operador intentara activarlo en esas condiciones, el tractor cortacésped se desacelerará automáticamente a la velocidad de corte absoluta óptima y más rápida.

**NOTA:** Si el operador abandona el asiento y deja el motor en funcionamiento, deberá colocar el freno de mano, o el motor se apagará de forma automática.

CRUISE  
CONTROL



PARK  
BRAKE



## Seguridad general

- RECIBA LAS INSTRUCCIONES - Lea este manual del operador en su totalidad. Aprenda a usar esta máquina DE MANERA SEGURA. No se arriesgue a quedar expuesto a LESIONES o a la MUERTE. Solamente se debe permitir operar este tractor cortacésped a quienes se hayan familiarizado a fondo con el uso del mismo.
- Antes de arrancar el motor o de empezar a operar, familiarícese con los controles. El operador debe estar en el asiento del operador. El interruptor de la toma de fuerza (PTO) debe estar en posición desactivada y el freno de mano debe estar activado.
- Mantenga todos los protectores en su lugar. Manténgase alejado de las piezas móviles.
- ¡NO SE PERMITE TRASLADAR PERSONAS EN EL TRACTOR! Mantenga a todas las personas y las mascotas a una distancia segura de la máquina. Siempre mire hacia atrás y hacia abajo a ambos lados del tractor cortacésped antes de desplazarse marcha atrás y mientras retroceda.
- NO oriente la descarga de la cortadora hacia la gente.
- En lo posible evite las pendientes. Nunca opere en pendientes mayores de 15°. Las pendientes con mayor inclinación presentan condiciones de operación peligrosas. Los tractores cortacésped pueden volcar.
- Antes de abandonar el asiento del operador, cierre la toma de fuerza (PTO) y ponga el freno de mano, apague el motor y retire la llave de encendido. Antes de realizar el mantenimiento o la limpieza de la máquina, espere hasta que cese totalmente el movimiento.
- Evite realizar movimientos bruscos del volante al arrancar o detener la máquina. Sujete firmemente el volante.
- Sea cuidadoso al operar cerca de rutas. Detenga el movimiento del tractor cortacésped y espere a que pasen los vehículos antes de operar a lo largo de la ruta.
- No haga funcionar el tractor cortacésped sin la plataforma de corte. Si se quita la plataforma varía el equilibrio del tractor cortacésped y éste podría volcar.
- Evite operar en superficies de tracción inestables; tenga extrema precaución si la superficie es resbaladiza.
- Reduzca la velocidad antes de girar y deténgase completamente antes de cualquier maniobra de giro cero.
- No detenga ni estacione el tractor cortacésped sobre materiales combustibles tales como pasto u hojas secas, desechos, etc.

- No llene el tanque de combustible con el motor en funcionamiento o si el mismo está caliente. Deje enfriar el motor varios minutos antes de la recarga de combustible. Apriete el tapón de combustible con firmeza.

## Antes de operar su tractor cortacésped

- Antes de hacer funcionar el tractor cortacésped, lea este manual con atención para familiarizarse con el funcionamiento de todos los instrumentos y controles. El manual se preparó con la finalidad de ayudarlo a hacer funcionar y mantener el tractor cortacésped eficientemente.
- Se certifica que este motor funciona únicamente con gasolina sin plomo, nueva y limpia. Para obtener el mejor resultado, llene el depósito de combustible únicamente con gasolina sin plomo limpia y fresca, en un surtidor que indique un octanaje igual a 87 o más.
- Se recomienda el uso de gasolina sin plomo porque deja menos depósitos en la cámara de combustión y reduce las emisiones de escape perjudiciales. No se recomienda el uso de gasolina con plomo; no se la debe usar en los lugares en los cuales las emisiones de escape se encuentran reguladas.  
**NOTA:** Compre gasolina en pequeñas cantidades. No use gasolina que haya quedado de la temporada anterior, para minimizar la formación de depósitos de caucho en el sistema de combustible.
- El gasohol (hasta 10% de alcohol etílico, 90% de gasolina sin plomo por volumen) es un combustible aprobado. No se aprueba el uso de otras mezclas de gasolina/alcohol.
- El éter metílico terciario-butílico (MTBE) y las mezclas de gasolina sin plomo (hasta un máximo de 15% de MTBE por volumen) son combustibles aprobados. No se aprueba el uso de otras mezclas de gasolina/éter.
- Revise el nivel de aceite del motor.
- Limpie el filtro de aire si es necesario.
- Controle la presión de inflado de los neumáticos.
- Ajuste el asiento para la mayor comodidad del operador, para una adecuada visibilidad y para mantener el control completo del tractor cortacésped.

## Sistema de interbloqueo de seguridad

Este tractor cortacésped está equipado con un sistema de interbloqueo de seguridad para protección del operador. Si el sistema de interbloqueo funciona mal, no se debe hacer funcionar el tractor cortacésped. Comuníquese con Sears u otro distribuidor de servicio calificado para las reparaciones del equipo.

- El sistema de interbloqueo de seguridad impide que el motor arranque o se encienda a menos que esté colocado el freno de mano, y la perilla de toma de fuerza (PTO) esté en posición desactivada de apagado (OFF).
- Si el operador abandona su asiento antes de colocar el freno de mano, el motor se apagará automáticamente.

### ⚠ ADVERTENCIA

No opere el tractor cortacésped si el sistema de interbloqueo funciona mal. El sistema fue diseñado para brindarle seguridad y protección.

# FUNCIONAMIENTO

## Arranque del motor

### ⚠ ADVERTENCIA

Este tractor cortacésped está equipado con un sistema de interbloqueo de seguridad que está diseñado para la protección del operador. No opere el tractor cortacésped si alguna parte del sistema de interbloqueo funciona mal. Controle periódicamente la función del sistema de interbloqueo para verificar que funcione adecuadamente.

### ⚠ ADVERTENCIA

Por razones de seguridad personal, el operador debe estar sentado en el asiento del tractor cortacésped al arrancar el motor.

**NOTA:** Consulte las instrucciones de llenado de aceite en el Manual del Operador del motor y consulte las instrucciones de llenado de gasolina en la sección Armado.

**NOTA:** Si se oprime el botón de MODO DE PRECAUCIÓN EN MARCHA ATRÁS ⚠ durante el arranque, se cancela la secuencia de arranque y se debe volver a comenzar.

1. El operador debe estar sentado en el asiento del tractor cortacésped.
2. Ponga el freno de mano oprimiendo hacia adelante el pedal de freno (○), luego oprima la palanca de control de cruceo/freno de mano y posteriormente suelte el pedal del freno (○). Consulte la Figura 12.

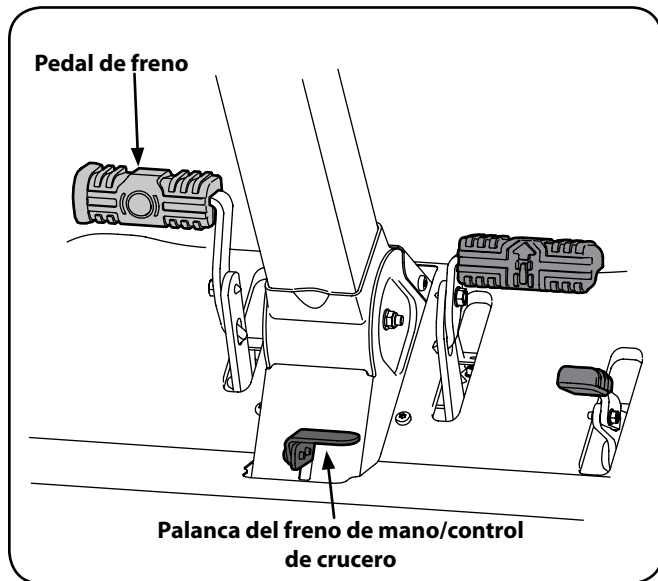


Figura 12

3. Verifique que el interruptor de la toma de fuerza (PTO) se encuentre en posición desactivada (abajo). Consulte la Figura 12.
4. Mueva el acelerador a la posición FAST 🏎 (rápido).
5. Inserte la llave de encendido y presione durante 1.5 segundos hasta que el motor comience a arrancar. Si el motor no arranca al cabo de 5 segundos, se producirá un retardo de 3 segundos. Suelte la llave e intente nuevamente que arranque.
6. Deje que el motor funcione unos cuantos minutos a una aceleración intermedia antes de someterlo a la carga.
7. Observe el medidor horario/panel indicador. Si se enciende la luz del indicador de batería o de presión de aceite, detenga el motor inmediatamente. Comuníquese con Sears u otro distribuidor de servicio calificado para las reparaciones del equipo.

## Arranque del motor en climas fríos

Al arrancar el motor a temperaturas cercanas o inferiores al punto de congelamiento,

asegúrese de que se use aceite de motor de viscosidad correcta y que la batería tenga carga completa. Arranque el motor de la siguiente forma:

1. Asegúrese de que la batería se encuentre en buen estado. Una batería caliente tiene una capacidad de arranque mucho mayor que una batería fría.
2. Use combustible fresco para uso invernal. La gasolina para uso invernal tiene mayor volatilidad a los efectos de mejorar el arranque. No use gasolina que le haya quedado del verano.
3. Siga las instrucciones previas para Arrancar el motor.

## Uso los cables de arranque para encender el motor

### ⚠ ADVERTENCIA

Las baterías contienen ácido sulfúrico y producen gases explosivos. Asegúrese de que el área esté bien ventilada, use guantes y protectores de ojos y evite chispas o llamas cerca de la batería.

Si la carga de la batería no es suficiente para dar arranque al motor, vuelva a cargar la batería. Si no dispone de un cargador de batería y debe arrancar el tractor cortacésped, puede ser necesario usar una batería de urgencia. Conecte la batería de urgencia de la siguiente forma:

1. Conecte el extremo de un cable al borne positivo de la batería del tractor cortacésped que no funciona; luego conecte el otro extremo de ese cable al borne positivo de la batería de urgencia.
2. Conecte un extremo del otro cable al borne negativo de la batería de urgencia; luego conecte el otro extremo de ese cable al marco del tractor cortacésped que no funciona, a la mayor distancia posible de la batería.
3. Arranque el tractor cortacésped que no funciona según las instrucciones de arranque normales indicadas más arriba; luego desconecte los cables de puente en orden exactamente inverso al de la conexión.
4. Haga controlar y reparar el sistema eléctrico del tractor cortacésped lo más pronto que fuere posible, para eliminar la necesidad de usar cables de puente para arrancarlo.

## Para parar el motor

1. Coloque el interruptor de la toma de fuerza (PTO) en la posición desactivada.
2. Aplique el freno de mano.
3. Mueva el control del acelerador/cebador a la posición SLOW 🐢 (velocidad lenta) y deje que el motor funcione en ralentí durante aproximadamente un minuto.
4. Presione o retire la llave del interruptor de encendido.

**NOTA:** Siempre quite la llave del interruptor de encendido para evitar el arranque accidental o la descarga de la batería si el equipo queda sin supervisión.

# FUNCIONAMIENTO

## Conducción del tractor cortacésped

### ⚠ ADVERTENCIA

Evite arrancar súbitamente, desarrollar excesiva velocidad y parar inesperadamente.

1. Suelte el freno de mano. Mueva la palanca de control del acelerador/cebador a la posición FAST (velocidad rápida).
2. Para conducir hacia ADELANTE, presione lentamente el pedal de transmisión marcha adelante hasta alcanzar la velocidad deseada. Vea la Figura 13.

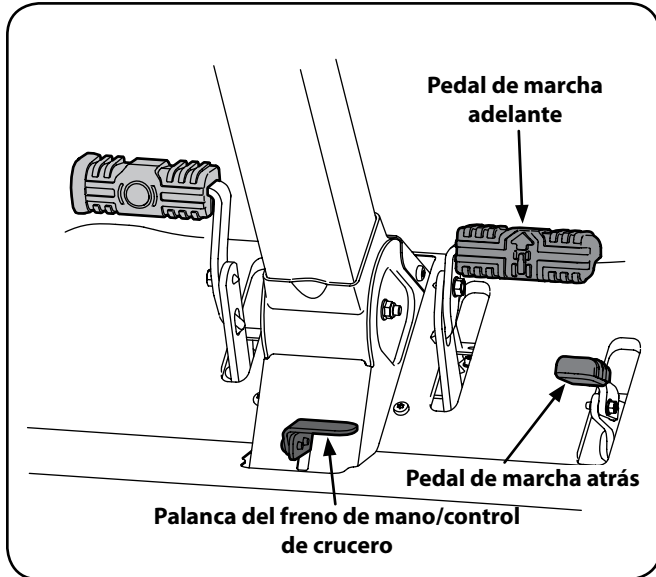


Figura 13

3. Para que el tractor cortacésped se detenga o ande más despacio, saque el pie del pedal de transmisión marcha adelante o atrás. Para bloquear el freno de mano, oprima hacia adelante el pedal del freno, luego oprima la palanca de control de crucero/freno de mano y posteriormente suelte el pedal del freno.
4. Para usar el control de crucero:
  - a. Oprima el pedal de transmisión marcha adelante.
  - b. Mientras mantiene la velocidad deseada oprima la palanca de control de crucero/freno de mano, luego suelte el pedal de transmisión de marcha adelante para activar el control de crucero.
5. Para soltar el control de crucero, oprima el freno o el pedal de transmisión de marcha adelante.

**NOTA:** Los pedales de transmisión de marcha adelante y atrás no se deben usar cuando el freno está parcialmente activado. Cuando el freno está trabado, la correa de transmisión se desengancha, pero si el freno está solamente parcialmente hacia atrás, entonces los frenos se activan pero también se engancha la correa de transmisión, de manera que la misma se dañará si se empuja hacia adelante o hacia atrás.

6. Para conducir marcha atrás, verifique que el área de atrás esté despejada. Luego presione lentamente hacia adelante el pedal de transmisión marcha atrás con la parte anterior de la planta del pie (NO con el talón) hasta alcanzar la velocidad deseada. Vea la Figura 13.

### ⚠ PRECAUCIÓN

NO intente cambiar la dirección de desplazamiento mientras el tractor cortacésped está en movimiento. Siempre detenga completamente el tractor cortacésped antes de moverlo desde la posición de avance a la de marcha atrás o viceversa.

### ⚠ ADVERTENCIA

No abandone el asiento del tractor cortacésped sin colocar primero la perilla de la PTO en la posición desactivada OFF (apagado) y sin poner el freno de mano. Si deja el tractor cortacésped sin vigilancia, también debe apagar el motor y retirar la llave de encendido.

## Modo de precaución en marcha atrás

La posición MODO DE PRECAUCIÓN EN MARCHA ATRÁS permite operar el tractor cortacésped marcha atrás con las cuchillas (PTO) acopladas.

**NOTA:** No se recomienda cortar el césped en marcha atrás.

### ⚠ ADVERTENCIA

Tenga sumo cuidado al operar el tractor cortacésped en el MODO DE PRECAUCIÓN EN MARCHA ATRÁS. Mire siempre hacia abajo y detrás de usted antes y durante la marcha atrás. No haga funcionar el tractor cortacésped cuando haya niños u otras personas cerca. Detenga el tractor cortacésped inmediatamente si alguien se acerca.

Para utilizar el MODO DE PRECAUCIÓN EN MARCHA ATRÁS:

**NOTA:** El operador DEBE estar sentado en el asiento del tractor cortacésped.

1. Arranque el motor según las instrucciones de la página anterior.
2. Para activar el MODO DE PRECAUCIÓN EN MARCHA ATRÁS, oprima y mantenga presionado el botón correspondiente a dicho modo durante 3 segundos. Vea la Figura 14.

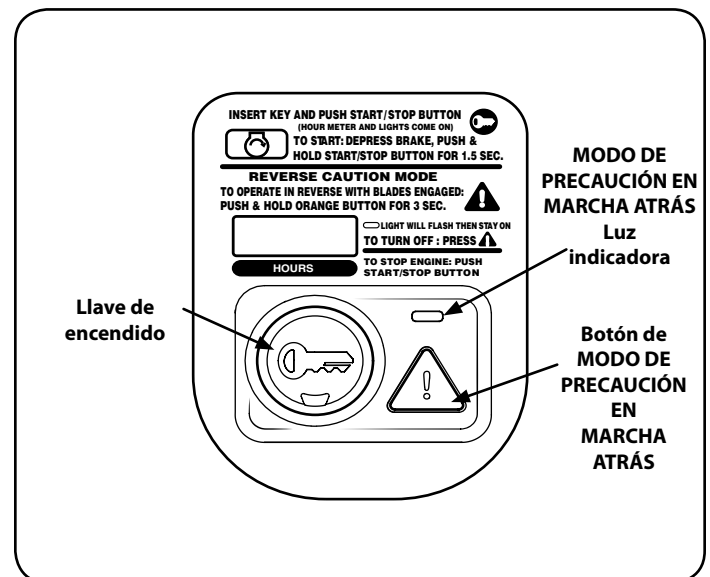




Figura 14

# FUNCIONAMIENTO

3. Oprima el botón del MODO DE PRECAUCIÓN EN MARCHA ATRÁS  (botón triangular de color naranja). La luz indicadora parpadea, luego permanece encendida mientras esté activado. Vea la Figura 14.
4. Una vez activada (luz indicadora ENCENDIDA), se puede operar el tractor cortacésped en marcha atrás con las cuchillas de corte (PTO) activadas.
5. Siempre mire hacia abajo y hacia atrás antes y mientras se desplaza marcha atrás, para verificar que no haya niños cerca. Luego de retomar el movimiento hacia adelante, oprima el botón del MODO DE PRECAUCIÓN EN MARCHA ATRÁS  para apagar dicho modo

El MODO DE PRECAUCIÓN EN MARCHA ATRÁS permanece activado hasta que:

- a. Se apague el tractor o
- b. El operador deje el asiento.

## Conducción en pendientes

Consulte la sección INDICADOR DE PENDIENTE de la página 8 para determinar en qué pendientes puede operar el tractor cortacésped de manera segura.

### ADVERTENCIA

No corte en pendientes con una inclinación de más de 15° (elevación aproximada de 2-½ pies por cada 10 pies). El tractor cortacésped podría volcar y causar lesiones graves.

- Corte de forma transversal a la pendiente, no hacia arriba ni hacia abajo.
- Tenga sumo cuidado al cambiar de dirección en una pendiente.
- Esté atento a los hoyos, surcos, baches, rocas, y otros objetos ocultos. El terreno desnivelado puede hacer que la máquina vuelque. El césped alto puede ocultar obstáculos.
- No gire en pendiente a menos que sea necesario; si lo hace, gire lentamente cuesta arriba y tenga sumo cuidado al hacerlo. Girar hacia arriba en una pendiente aumenta enormemente las posibilidades de que el vehículo dé una vuelta de campana.
- Evite parar cuando esté subiendo una pendiente. Si fuese necesario detenerse mientras sube una pendiente, arranque suave y cuidadosamente para reducir la posibilidad de que el tractor cortacésped se dé vuelta hacia atrás.

## Corte de césped


### ADVERTENCIA

Para tratar de evitar el contacto con las cuchillas o una lesión por un objeto que sea arrojado, mantenga a los observadores, ayudantes, niños y mascotas alejados al menos 75 pies de la máquina mientras está funcionando. Pare la máquina si alguien ingresa a la zona.

La siguiente información será de utilidad cuando use la plataforma de corte con su tractor cortacésped:

### ADVERTENCIA

Planifique el patrón de corte, para evitar que la descarga de materiales se realice hacia los caminos, las aceras, los observadores, etc. Evite además descargar material contra una pared u obstrucción, ya que esto podría hacer que el material descargado rebotara contra el operador.

- No corte a alta velocidad absoluta, especialmente si tiene instalado un kit de abono o un colector de césped.
- No corte el césped demasiado corto. El césped corto fomenta el crecimiento de maleza y se pone amarillo rápidamente cuando escasea la lluvia.
- Siempre haga funcionar el tractor cortacésped con el acelerador en la posición FAST  (velocidad rápida) mientras corta el césped.


- Para obtener los mejores resultados, se recomienda realizar los dos primeros cortes de césped arrojando la descarga hacia el centro. Después de las dos primeras pasadas, cambie la dirección para arrojar la descarga hacia afuera, para equilibrar el corte. Esto otorgará un mejor aspecto al césped.
- NO intente cortar malezas frondosas o césped extremadamente alto. El tractor cortacésped fue diseñada para cortar el césped, NO para podar malezas.
- Mantenga las cuchillas afiladas y cámbielas cuando se gasten.

## Palanca de elevación manual

Para subir o bajar la plataforma de corte, mueva la palanca de elevación hacia la izquierda y luego colóquela en la muesca que mejor se adapte a la aplicación deseada.

## Conexión de la toma de fuerza (PTO)

Al conectar la PTO se suministra energía a la plataforma de corte y a otros accesorios (disponibles por separado). Para conectar la PTO:

1. Mueva el acelerador a la posición FAST  (velocidad rápida).
2. Tire de la perilla de la PTO/enganche de cuchilla hacia afuera hasta la posición ON (conectada). Vea la Figura 15.

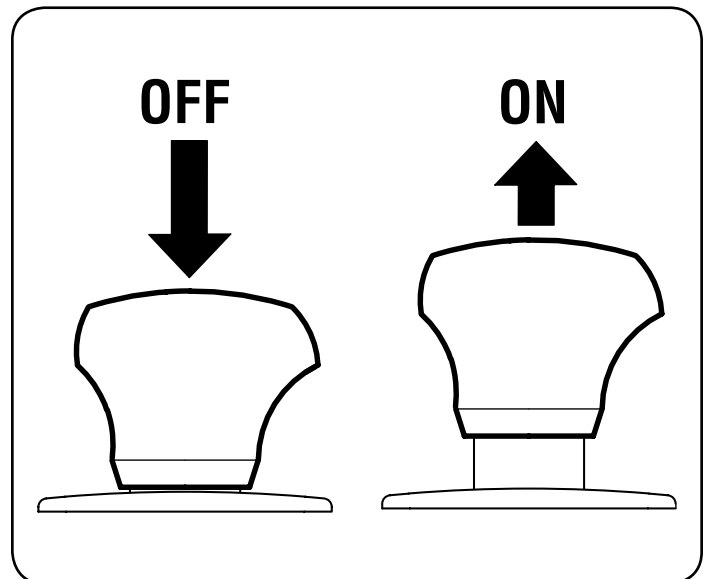



Figura 15

**NOTA:** Haga funcionar el tractor cortacésped siempre con la palanca del acelerador en la posición FAST  (velocidad rápida), para un uso más eficaz de la plataforma de corte o de otros accesorios (disponibles por separado).

# FUNCIONAMIENTO

# SERVICIO Y MANTENIMIENTO

## PROGRAMA DE MANTENIMIENTO

### ADVERTENCIA

Antes de realizar cualquier tipo de mantenimiento/servicio, desactive todos los controles y detenga el motor. Espere a que se detengan completamente todas las piezas móviles. Desconecte el cable de la bujía y póngalo haciendo masa contra el motor para evitar que se encienda accidentalmente. Utilice siempre anteojos de seguridad durante la operación o mientras realiza ajustes o reparaciones.

Siga el cronograma de mantenimiento que se presenta a continuación. En esta tabla sólo describen pautas de servicio. Utilice la columna Registro de Servicio para hacer el seguimiento de las tareas de mantenimiento completadas. **Llame al 1-888-331-4569 para programar el servicio del servicio de piezas y reparaciones de Sears.**

Consulte el manual del operador del motor entregado con el tractor cortacésped para obtener instrucciones detalladas sobre cómo realizar muchas de las siguientes tareas de mantenimiento.

Intervalo	Artículo	Servicio	Registro de servicio
Cada uso	<ol style="list-style-type: none"> <li>Ventiladores de enfriamiento del motor</li> <li>Aceite del motor</li> <li>Filtro de aire</li> <li>Ranuras de enfriamiento de la transmisión</li> </ol>	<ol style="list-style-type: none"> <li>Verificar/limpiar</li> <li>Verificar</li> <li>Verificar</li> <li>Limpiar</li> </ol>	
Después de las primeras 5 horas	<ol style="list-style-type: none"> <li>Aceite del motor</li> </ol>	<ol style="list-style-type: none"> <li>Cambio (período de asentamiento).</li> </ol>	
Cada 10 horas	<ol style="list-style-type: none"> <li>Bornes de las baterías</li> <li>Puntos de lubricación</li> <li>Cuchillas</li> <li>Neumáticos</li> <li>Filtro de admisión</li> <li>Plataforma</li> </ol>	<ol style="list-style-type: none"> <li>Limpiar</li> <li>Grasa</li> <li>Verificar/Afilar/Reemplazar según sea necesario</li> <li>Verificar</li> <li>Verificar/Limpiar según sea necesario</li> <li>Verificar/limpiar</li> </ol>	
Cada 25 horas	<ol style="list-style-type: none"> <li>Ruedas de la plataforma</li> <li>Nivel/inclinación de la plataforma</li> <li>Husillos de plataforma</li> <li>Rueditas delanteras</li> <li>Ruedita</li> <li>Husillos de las ruedas</li> </ol>	<ol style="list-style-type: none"> <li>Inspeccionar y lubricar</li> <li>Verificar</li> <li>Lubricar</li> <li>Engrasar</li> <li>Lubricar</li> <li>Lubricar</li> </ol>	
Cada 50 horas	<ol style="list-style-type: none"> <li>Correas y poleas</li> <li>Aceite del motor</li> <li>Filtro de aceite</li> <li>Filtro de aire</li> <li>Filtro de combustible</li> </ol>	<ol style="list-style-type: none"> <li>Verificar para detectar desgaste y daños</li> <li>Cambiar</li> <li>Reemplazar</li> <li>Limpiar o cambiar</li> <li>Reemplazar</li> </ol>	
Cada 100 horas	<ol style="list-style-type: none"> <li>Herrajes</li> <li>Estado/separación de las bujías</li> </ol>	<ol style="list-style-type: none"> <li>Verificar</li> <li>Verificar</li> </ol>	
Cada temporada/antes de almacenar	<ol style="list-style-type: none"> <li>Ventiladores de enfriamiento del motor</li> <li>Bornes de las baterías</li> <li>Puntos de lubricación</li> <li>Cuchillas</li> <li>Neumáticos</li> <li>Ruedas delanteras</li> <li>Plataforma</li> <li>Ruedas de la plataforma</li> <li>Nivel/inclinación de la plataforma</li> <li>Husillos de plataforma</li> <li>Estado/separación de las bujías</li> <li>Aceite del motor</li> <li>Filtro de aceite</li> <li>Rueditas</li> <li>Husillos de las ruedas</li> <li>Debajo de los paneles del suelo</li> </ol>	<ol style="list-style-type: none"> <li>Verificar/limpiar</li> <li>Limpiar</li> <li>Engrasar</li> <li>Verificar/Afilar/Reemplazar según sea necesario</li> <li>Verificar</li> <li>Lubricar</li> <li>Verificar/limpiar</li> <li>Inspeccionar y lubricar</li> <li>Verificar</li> <li>Lubricar</li> <li>Verificar</li> <li>Cambiar (Consulte Mantenimiento del motor en la Página 19 y el Manual del operador del motor)</li> <li>Reemplazar</li> <li>Lubricar</li> <li>Lubricar</li> <li>Verificar y limpiar</li> </ol>	
Varios	<ol style="list-style-type: none"> <li>Holgura de la válvula *</li> </ol>	<ol style="list-style-type: none"> <li>Verificación y ajuste *</li> </ol>	

# SERVICIO Y MANTENIMIENTO

## ⚠️ ADVERTENCIA

Antes de realizar tareas de mantenimiento o reparaciones, desconecte la toma de fuerza (PTO), mueva las palancas de control totalmente hacia afuera hasta la posición de punto muerto, coloque el freno de mano, apague el motor y retire la llave, para evitar el encendido accidental del motor.

## Mantenimiento del motor

Consulte las instrucciones y procedimientos de mantenimiento del motor en el Manual del Operador del motor.

## Cambio de aceite del motor

## ⚠️ ADVERTENCIA

Si el motor ha estado en funcionamiento recientemente, el motor, el silenciador y las superficies metálicas circundantes estarán calientes y pueden causar quemaduras en la piel. Tenga precaución para evitar quemaduras.

Para realizar el cambio de aceite, proceda de la siguiente manera:

1. Haga funcionar el motor por un período corto para calentar el aceite del motor. El aceite fluirá mejor y limpiará las impurezas. Tenga cuidado y evite quemarse con el aceite caliente.
2. Ubique la manguera de drenaje de aceite del lado derecho del motor. Vea la Figura 16.

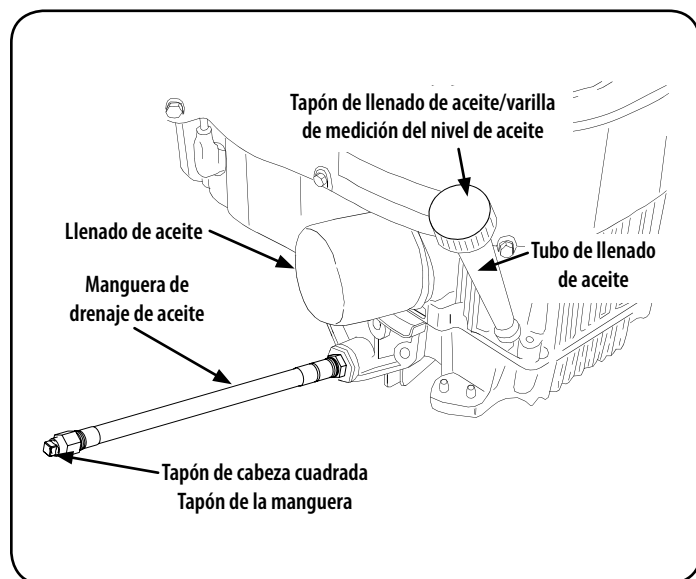


Figura 16

3. Coloque el extremo libre de la manguera de drenaje de aceite en un depósito de recolección de aceite adecuado que posea una capacidad de por lo menos 2.5 cuartos de galón (2.4 litros) para recoger el aceite usado. Retire el tapón de llenado de aceite/varilla de nivel de aceite del tubo de llenado.
4. Mientras sostiene el extremo libre de la manguera de drenaje de aceite sobre el recipiente de recolección de aceite, desatornille el tapón de la manguera del extremo de la manguera. Vea la Figura 16. Drene el aceite del motor dentro del recipiente.
5. Coloque el extremo libre de la manguera de drenaje de aceite en un depósito de recolección de aceite adecuado que posea una capacidad de por lo menos 2.5 cuartos de galón (2.4 litros) para recoger el aceite usado.
6. Una vez que se haya terminado de drenar el aceite, reemplace el tapón de manguera de cabeza cuadrada y llene el motor como se indica en el manual del propietario del motor. Para conocer la capacidad de aceite, consulte el manual del propietario del motor que se incluye con el tractor cortacésped.

## Transmisión hidrostática

La transmisión hidrostática viene sellada de fábrica y no tiene mantenimiento alguno. No se puede controlar el nivel de fluido ni se puede cambiar el líquido.

## Batería

## ⚠️ ADVERTENCIA

Advertencia **PROPOSICIÓN 65 DE CALIFORNIA!** Los bornes y contactos de la batería, y los accesorios afines contienen plomo y compuestos de plomo, sustancias químicas que el Estado de California considera que pueden producir cáncer y daños en el sistema reproductivo. Lávese las manos después de estar en contacto con estos componentes.

La batería está sellada y no necesita mantenimiento. Los niveles de ácido no se pueden controlar y no se puede agregar líquido.

- Siempre mantenga limpios y libres de acumulación de elementos corrosivos los cables y los bornes de la batería.
- Después de limpiar la batería y los bornes, aplique una capa delgada de vaselina o grasa a ambos bornes.

## ⚠️ PRECAUCIÓN

Si quita la batería para limpiarla, desconecte primero el cable NEGATIVO (negro) de su terminal y a continuación el cable POSITIVO (rojo). Cuando vuelva a instalar la batería, conecte siempre primero el cable POSITIVO (rojo) a su borne, y a continuación el cable NEGATIVO (negro). Asegúrese de que los cables estén conectados a los terminales correctos, ya que si los invierte se podría dañar gravemente el sistema alternador del motor.

## Limpieza del tractor cortacésped

Si se derrama combustible o aceite sobre la máquina, debe limpiarse de inmediato. NO permita que se acumulen desechos alrededor de las aletas de refrigeración del motor, el ventilador de refrigeración de la transmisión ni en ninguna otra parte de la máquina, especialmente las correas y poleas.

## Uso del sistema de lavado de la plataforma

La plataforma del tractor cortacésped tiene un puerto de agua sobre la superficie como parte de su sistema de lavado de la plataforma.

Utilice el sistema de lavado de plataforma para lavar la parte inferior de la plataforma e impedir la acumulación de sustancias corrosivas. Realice los siguientes pasos DESPUÉS DE CADA CORTE DE CÉSPED:

1. Conduzca el tractor cortacésped a una zona nivelada y despejada del césped, que se encuentre suficientemente cerca de una canilla de agua al alcance de la manguera del jardín.

## ⚠️ PRECAUCIÓN

Asegúrese de que la tolva de descarga del tractor cortacésped esté orientada ALEJADA de la casa, el garaje, los vehículos estacionados, etc.

2. Desconecte la toma de fuerza (enganche de cuchilla), ponga el freno de mano y pare el motor.
3. Enrosque el acople de la manguera (embalado con el Manual del Operador) en el extremo de su manguera de jardín.

# SERVICIO Y MANTENIMIENTO

4. Una el acople de la manguera al puerto de agua que se encuentra en la superficie de la plataforma. Vea la Figura 17.

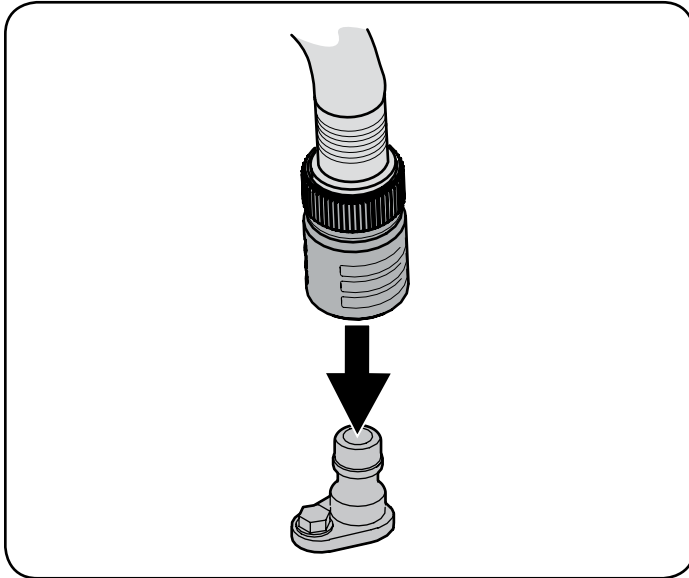



Figura 17

5. Abra el suministro de agua.
6. Mientras está sentado en la posición del operador del tractor cortacésped, arranque el motor y coloque el acelerador en la posición FAST  (velocidad rápida).
7. Conecte la PTO.
8. Permanezca en la posición del operador con la plataforma de corte enganchada durante dos minutos como mínimo, permitiendo que la parte inferior de la plataforma de corte se lave a fondo.
9. Desconecte la PTO.
10. Presione o retire la llave de encendido.
11. Desconecte el agua y retire el acoplador de la manguera desde el puerto de agua que se encuentra en la superficie de la plataforma.
12. Después de limpiar la plataforma con el sistema Deck Wash System™, regrese a la posición del operador y active la toma de fuerza (PTO). Mantenga la plataforma de corte en funcionamiento durante dos minutos por lo menos para permitir que se seque totalmente la parte inferior de la misma.

## Neumáticos

### ADVERTENCIA

Nunca exceda la presión máxima de inflado que se indica en los laterales de los neumáticos.

Consulte los laterales de las ruedas para conocer con exactitud la presión máxima en psi recomendada por el fabricante. No los infle en exceso. Una presión de neumáticos despareja podría hacer que la plataforma no corte el césped parejo.

## Lubricación

### ADVERTENCIA

Antes de lubricar, reparar o inspeccionar, desconecte la toma de fuerza (PTO), ponga el freno de mano, pare el motor y retire la llave, para evitar el encendido accidental del motor.

## Ruedas delanteras

Cada uno de los ejes y llantas de las ruedas delanteras viene equipado con engrasadores. Vea la Figura 18. Lubrique con grasa multiuso No. 2 aplicada con una pistola de engrasar cada 25 horas de funcionamiento del tractor cortacésped.

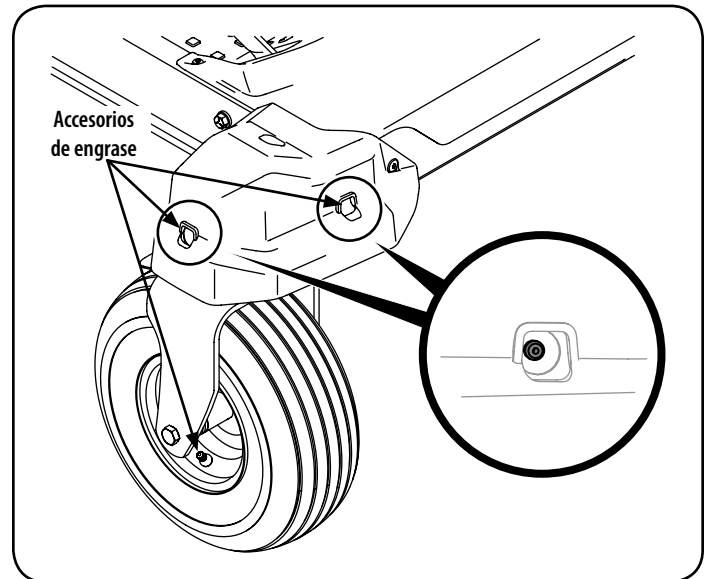


Figura 18

## Soportes de la dirección

Debajo del bastidor del tractor cortacésped, hay dos engrasadores para los soportes de la dirección. Lubrique con grasa multiuso No. 2 aplicada con una pistola de engrasar cada 25 horas de funcionamiento del tractor cortacésped. Vea la Figura 19.

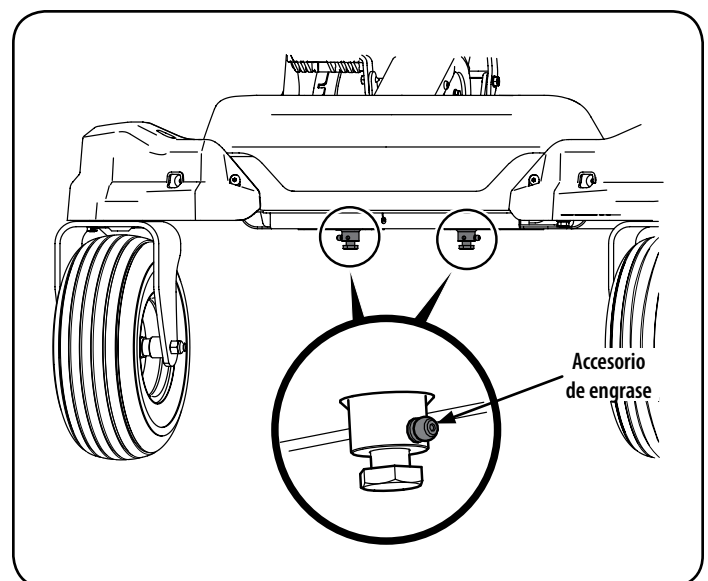


Figura 19

# SERVICIO Y MANTENIMIENTO

## Puntos de pivote y varillaje

Lubrique todos los puntos de pivote del sistema de impulsión, el freno de mano y el varillaje de elevación al menos una vez por temporada con aceite ligero.

## Ajustes

### Plataforma

**NOTA:** Controle la presión de neumáticos del tractor cortacésped antes de realizar cualquier nivelación de la plataforma. Consulte la sección Neumáticos precedente para obtener información sobre la presión de los neumáticos.

### ⚠ ADVERTENCIA

Apague el motor, retire la llave de encendido y coloque el freno de mano antes de realizar ajustes. Proteja sus manos utilizando guantes reforzados cuando manipule las cuchillas.

### Nivelación de la plataforma (de lado a lado)

**NOTA:** Controle la presión de neumáticos del tractor cortacésped antes de realizar cualquier nivelación de la plataforma. Consulte la sección Neumáticos para obtener información sobre la presión de los neumáticos. Nivele siempre la plataforma lado a lado antes de alinearla adelante atrás.

Si la plataforma de corte estuviera realizando el corte de césped de forma despareja, puede realizarse un ajuste lado a lado. De ser necesario, realice un ajuste de la siguiente manera:

1. Con el tractor cortacésped estacionado sobre una superficie firme y nivelada, coloque la manija de elevación de la plataforma en una posición de corte media y rote las dos cuchillas exteriores para que se sitúen de forma perpendicular a dicho tractor.
2. Mida la distancia desde la parte externa de la punta de la cuchilla izquierda hasta el piso, y desde la parte externa de la punta de la cuchilla derecha hasta el piso. Las dos mediciones obtenidas deben ser iguales. Si no lo son, realice el siguiente paso.
3. Afloje, pero NO extraiga, el perno de cabeza hexagonal ubicado en el gancho trasero izquierdo de la plataforma. Vea la Figura 20.

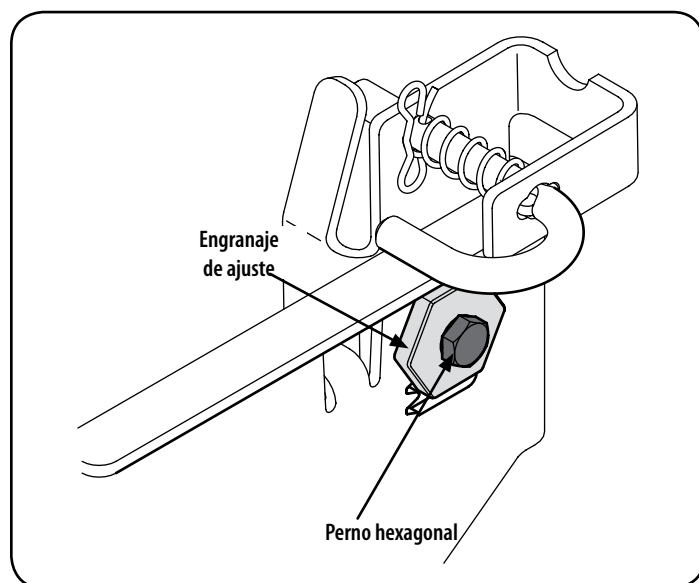


Figura 20

**NOTA:** El gancho trasero derecho de la plataforma no se puede ajustar y se utiliza para ajustar los otros ganchos.

4. Con una llave, levante o baje el lado izquierdo de la plataforma girando el engranaje de ajuste. Vea la Figura 20.

5. La plataforma se encuentra correctamente nivelada cuando las dos mediciones desde las puntas de las cuchillas son iguales. Una vez alcanzado el ajuste necesario, vuelva a ajustar el perno de cabeza hexagonal de la ménsula frontal de suspensión izquierda de la plataforma.

### Nivelación de la plataforma (de adelante hacia atrás)

**NOTA:** Controle la presión de neumáticos del tractor cortacésped antes de realizar cualquier nivelación de la plataforma. Consulte la sección Neumáticos en la página 24 para obtener información sobre la presión de los neumáticos. Nivele siempre la plataforma lado a lado antes de alinearla adelante atrás.

El frente de la plataforma debe estar entre  $\frac{1}{4}$ " y  $\frac{3}{8}$ " más bajo que la parte posterior de la plataforma. De ser necesario, realice un ajuste de la siguiente manera:

1. Estacione el tractor cortacésped sobre una superficie firme y nivelada, y coloque la manija de elevación de plataforma en una posición media.
2. Rote la cuchilla lo más cerca posible del canal de descarga de manera que esté en paralelo con el bastidor del tractor cortacésped.
3. Mida la distancia desde la parte delantera de la punta de la cuchilla hasta el piso, y desde la parte posterior de la punta de la cuchilla hasta el piso. La primera medición debe ser entre  $\frac{1}{4}$ " y  $\frac{3}{8}$ " menor que la segunda.
4. Determine la distancia aproximada necesaria para un ajuste adecuado y, de ser necesario, proceda.
5. Para *eleva*r el frente de la plataforma, extraiga la tapa de extremo, afloje la tuerca exterior y apriete (rosca hacia adentro) la tuerca contra el soporte de suspensión delantera. Vea la Figura 21. Una vez alcanzado el ajuste adecuado, vuelva a ajustar la tuerca exterior y vuelva a colocar la tapa de extremo.

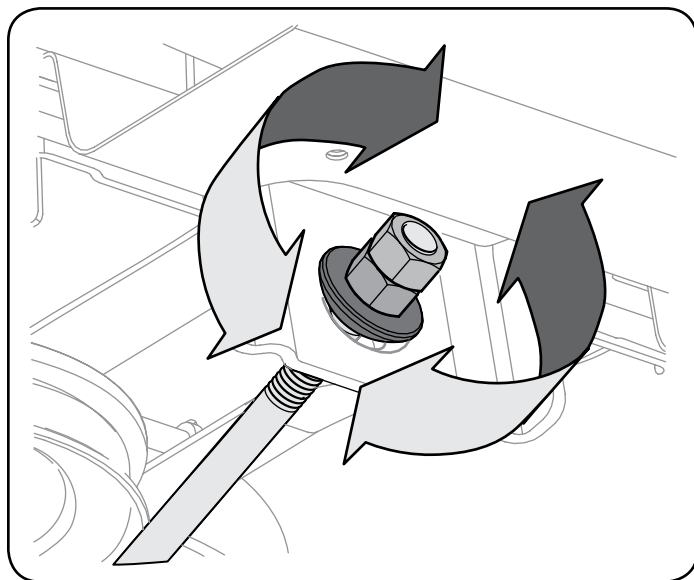


Figura 21

6. Para *bajar* el frente de la plataforma, extraiga la tapa de extremo, afloje la tuerca exterior y luego afloje (rosca hacia afuera) la tuerca, lejos del soporte de suspensión delantera. Vea la Figura 21. Una vez alcanzado el ajuste adecuado, vuelva a ajustar la tuerca exterior y vuelva a colocar la tapa de extremo.

# SERVICIO Y MANTENIMIENTO

## Ruedas de la plataforma

### ADVERTENCIA

Mantenga las manos y los pies alejados de la abertura de descarga de la plataforma de corte.

**NOTA:** Las ruedas de la plataforma constituyen un mecanismo para el cuidado del césped y no fueron diseñadas para soportar el peso de la plataforma de corte.

Las ruedas de la plataforma deben estar aproximadamente a  $1/4-1/2$ " por encima del suelo cuando la plataforma se encuentra en el ajuste de altura deseado. Para obtener instrucciones sobre cómo ajustar las ruedas de la plataforma consulte la sección Montaje y Configuración.

## Ajuste del freno de mano

Si el tractor cortacésped no se detiene por completo cuando se engancha totalmente la palanca de freno, o si las ruedas traseras del tractor cortacésped siguen rodando con el freno de mano colocado (y la válvula de descarga hidrostática abierta) el freno necesita ajustes. Haga ajustar los frenos adecuadamente por Sears u otro distribuidor de servicio calificado.

## Almacenamiento fuera de temporada

### Almacenamiento del tractor cortacésped

Si el tractor cortacésped no va a funcionar por un período prolongado (desde treinta días hasta aproximadamente seis meses), se lo debe preparar para el almacenamiento. Guarde el tractor cortacésped en un lugar seco y protegido. Si lo guarda afuera, cúbralo (incluidos los neumáticos) para protegerlo de los fenómenos climáticos. Cada vez que se prepara el tractor cortacésped para dejarlo fuera de uso se deben realizar los procedimientos descritos más abajo.

1. Cambie el aceite y filtro de motor según las instrucciones suministradas en el manual del motor.

### ADVERTENCIA

Nunca guarde el tractor cortacésped con combustible en el depósito en un lugar cerrado o con escasa ventilación, donde los gases del combustible pueden generar fuego, chispas o encender una luz piloto como la de hornos, calentadores de agua, secadores de ropa, etc.

2. Realice el mantenimiento del motor como se indica en el manual del motor por separado.
3. Para almacenar motores entre 30 y 90 días es necesario tratarlos con un estabilizador de gasolina como el **STA-BIL**® y para almacenarlos durante más de 90 días se debe drenar el combustible para evitar deterioros y la formación de depósitos de goma en el sistema de combustible o en piezas fundamentales del carburador. Si la gasolina en su motor se deteriora durante el almacenamiento, puede resultar necesario reparar o reemplazar el carburador y otros componentes del sistema de combustible.

### ADVERTENCIA

Drene el combustible únicamente dentro de un recipiente aprobado y al aire libre, lejos de cualquier llama expuesta. Deje que el motor se enfríe. Apague cigarrillos, cigarras, pipas y otras fuentes de combustión antes de drenar el combustible.

3. Retire las bujías y vierta aproximadamente una onza de aceite en cada cilindro. Haga arrancar el motor una o dos vueltas para que el aceite se distribuya de forma pareja en las paredes del cilindro. Vuelva a colocar las bujías.

4. Limpie perfectamente el motor y toda la unidad.

**NOTA:** No se recomienda el uso de una lavadora de presión ni de una manguera de jardín para limpiar el tractor cortacésped. Pueden producir daños a los componentes eléctricos, husillos, poleas, rodamientos o al motor. El uso de agua acortará la vida útil de la máquina y reducirá su capacidad de servicio.

5. Afíle las cuchillas para que la máquina esté lista para el uso cuando necesite usarla.
6. Proteja las superficies metálicas. Repare las rayas con pintura de retoque adecuada en aerosol. Pincele cualquier superficie no pintada, incluidas las poleas y las cuchillas, con aceite preventivo de herrumbre. (Tenga cuidado para que el aceite no toque las correas de transmisión).
7. Limpie y cargue totalmente la batería, luego desconecte el cable negativo de la batería para evitar posibles descargas. Vuelva a cargar la batería periódicamente durante el almacenamiento.  
**NOTA:** Retire la batería si está expuesta a períodos prolongados de temperaturas inferiores al congelamiento. Guarde en un lugar fresco y seco, donde las temperaturas estén por encima del punto de congelamiento.
8. Lubrique todos los puntos de lubricación.
9. Levante la máquina y guárdela sobre bloques para que el peso no se apoye sobre los neumáticos.

### Retiro del tractor cortacésped del lugar de almacenamiento

1. Controle el nivel de aceite de motor.
2. Cargue totalmente la batería, baje el tractor cortacésped de los bloques e infle los neumáticos a la presión recomendada.
3. Retire las bujías y límpielas. Con el arrancador, arranque el motor para bombear el exceso de aceite y sacarlo de los orificios de las bujías. Vuelva a colocar las bujías y los conductores de encendido.
4. Si se vació el depósito de combustible antes de guardar el tractor, llénelo con gasolina limpia y nueva.
5. Compruebe el nivel de aceite del motor dentro del cigüeñal y el depósito de fluido hidráulico.
6. Arranque el motor y déjelo andar en ralentí unos cuantos minutos para asegurar que su funcionamiento sea adecuado.
7. Conduzca el tractor cortacésped sin carga para estar seguro de que todos los sistemas del tractor funcionan correctamente.

# SERVICIO Y MANTENIMIENTO

## Retiro de la batería

### ⚠ ADVERTENCIA

Los bornes, terminales y accesorios de la batería contienen plomo y compuestos de plomo. Lávese las manos después de estar en contacto con estos componentes.

La batería está ubicada debajo del marco del asiento. Para retirar la batería:

1. Extraiga el tornillo de la arandela hexagonal que sujeta el soporte de sujeción de la batería al marco. Luego levante el soporte de sujeción de la batería para liberar la batería. Vea la Figura 22.

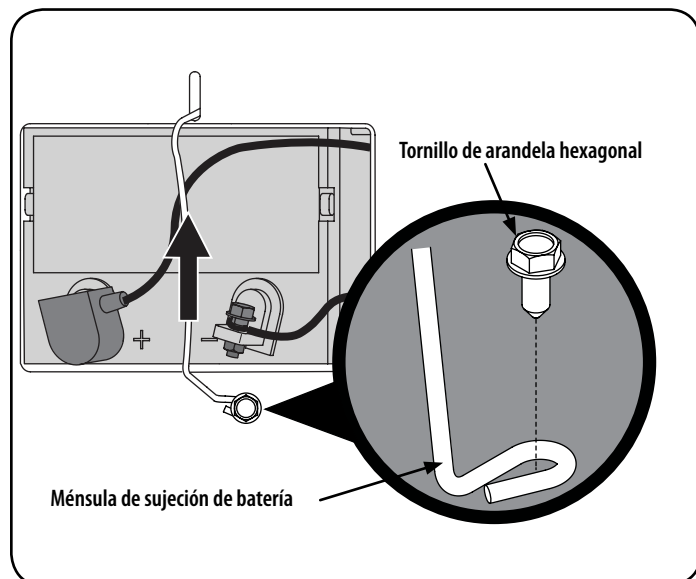


Figura 22

2. Retire el tornillo hexagonal y la tuerca Sems que fijan el conductor negativo negro de la batería al borne negativo de la batería (marcado 'NEG'). Aleje el cable del borne negativo de la batería.
3. Retire el tornillo hexagonal y la tuerca Sems que fijan el conductor positivo rojo de la batería al borne positivo de la batería (marcado 'POS').
4. Levante con cuidado la batería para sacarla del tractor cortacésped.
5. Instale la batería repitiendo los pasos anteriores en orden inverso.

### ⚠ ADVERTENCIA

Siempre conecte el conductor positivo a la batería antes de conectar el conductor negativo. Esto evita la generación de chispas o posibles lesiones producidas por un cortocircuito eléctrico causado por el contacto del cuerpo del tractor cortacésped con las herramientas que se usan para conectar los cables.

## Carga de la batería

Si el tractor cortacésped ha estado guardado durante un tiempo, pruebe la batería y, si es necesario, recárguela.

- Un voltímetro o medidor de carga debería dar una lectura de 12.6 voltios (CC) o más en todos los bornes de la batería. Vea la Figura 23.

Lectura del voltímetro	Estado de la carga	Tiempo de carga
12.7	100%	Carga completa
12.4	75%	90 Minutos
12.2	50%	180 Minutos
12.0	25%	280 Minutos

Figura 23

- Cargue la batería con un cargador de batería de 12 voltios a un MÁXIMO de 10 amperios.

## Mantenimiento del sistema eléctrico

El tractor cortacésped tiene instalado un fusible para proteger el sistema eléctrico de los daños causados por el exceso de amperaje. Siempre reemplace con fusibles de la misma capacidad. Si el sistema eléctrico no funciona, controle si hay un fusible quemado.

Si se repite el problema de los fusibles quemados, haga revisar el sistema eléctrico del tractor cortacésped por Sears u otro distribuidor de servicio calificado.

## Relés e interruptores

Hay varios interruptores de seguridad en el sistema eléctrico. Si una función del sistema de interbloqueo de seguridad descrito antes no funciona adecuadamente, haga revisar el sistema eléctrico por Sears u otro distribuidor de servicio calificado.

## Retiro de la plataforma

Retire la plataforma de corte del tractor cortacésped de la siguiente forma:

1. Desplace el tractor cortacésped a una superficie nivelada, desconecte la PTO, pare el motor y ponga el freno de mano.
2. Mueva las ruedas de calibración de la plataforma o los rodillos a su ajuste más alto (ajuste más bajo de la plataforma).
3. Retire la correa en 'V' de la polea de la toma de fuerza (PTO), ubicada en la base del motor, usando uno de los dos métodos siguientes.

### ⚠ ADVERTENCIA

El silenciador en la parte trasera del tractor cortacésped puede estar sumamente caliente y podría causar quemaduras graves. Tenga mucho cuidado cuando se encuentre cerca del silenciador. Deje que el silenciador se enfríe totalmente antes de retirar la correa de la polea de la toma de fuerza (PTO).

# SERVICIO Y MANTENIMIENTO

## Para aflojar la tensión de la correa con la polea loca

- Usando la manija de elevación de la plataforma, levante la plataforma a la posición que le ofrece mayor recorrido horizontal de la correa entre las poleas locas de la plataforma y la polea de la PTO en la base del motor. Vea la Figura 24.

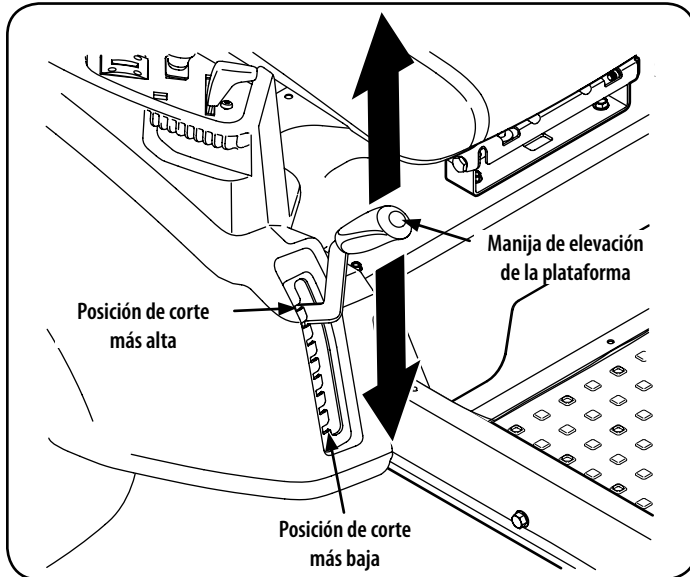


Figura 24

- Desde la parte media del tractor cortacésped, haga girar el soporte de polea loca y la polea loca móvil hacia atrás, separándolos de la parte posterior de la correa en "V" a una distancia suficiente que permita levantar la correa, por encima de la polea loca. Vea la Figura 25.

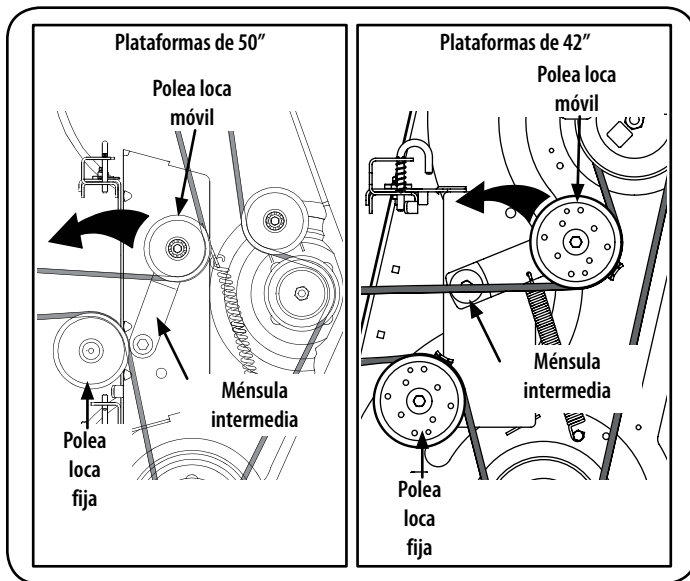


Figura 25

- Desde abajo de la parte trasera del tractor cortacésped, deslice la correa para sacarla de la polea de la toma de fuerza (PTO) en la base del motor.

## Haciendo rodar la correa para sacarla de la polea de la toma de fuerza (PTO)

- Usando la manija de elevación de la plataforma, levante la plataforma a la posición que le ofrece mayor recorrido horizontal de la correa entre las poleas locas de la plataforma y la polea de la PTO en la base del motor.

- Sentado detrás del tractor cortacésped, mirando hacia adelante, estire la mano debajo del tractor para agarrar la correa por delante de la polea de la PTO.

### ⚠ ADVERTENCIA

Tenga cuidado de no pellizcarse los dedos cuando saca la correa de la polea de la PTO.

- Tire del lado izquierdo de la correa hacia atrás y hacia abajo mientras gira manualmente la polea de la PTO hacia la derecha hasta que la correa se deslice hacia afuera sobre el borde inferior de la polea.

**NOTA:** Si tira del lado derecho de la correa, gire la polea hacia la izquierda.

- Mientras sostiene la correa hacia abajo, siga girando la polea de la PTO hasta que la correa se deslice fuera de la polea. Consulte la Figura 26.

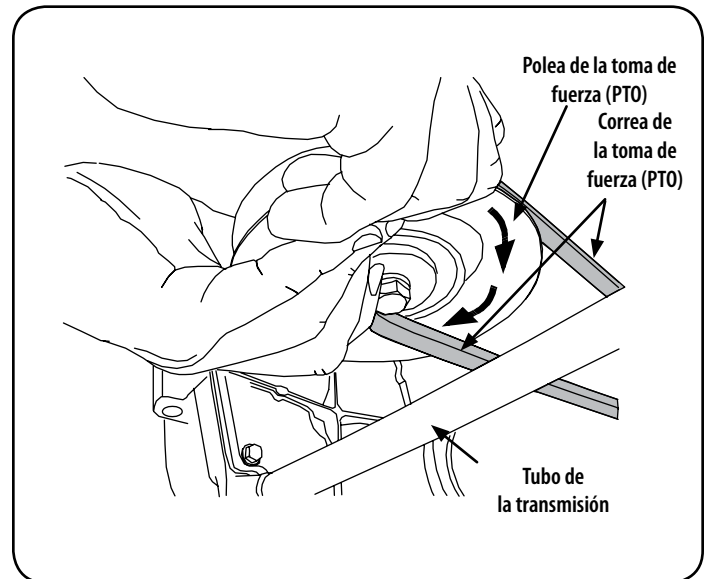


Figura 26

- Baje la plataforma hasta la posición más baja usando la manija de elevación de la plataforma. Vea la Figura 24.
- Tire del pasador de chaveta hacia afuera de la varilla de elevación delantera de la plataforma que la sujeta a la plataforma. Vea la Figura 27. Saque la varilla de elevación de la plataforma de la ménsula de suspensión frontal.

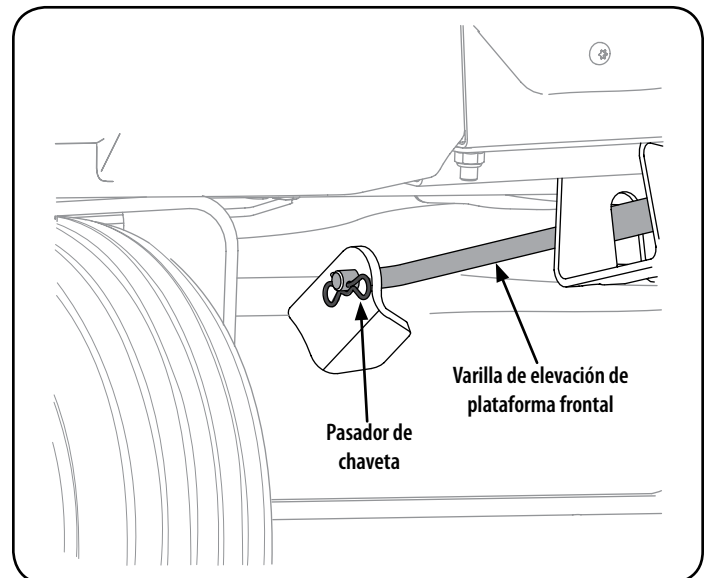


Figura 27

# SERVICIO Y MANTENIMIENTO

- Ubique los pasadores de liberación de la plataforma del lado izquierdo y del lado derecho que se encuentran a cada lado de la plataforma. Tire de los pasadores de liberación hacia afuera y suelte la plataforma de los brazos de elevación del lado derecho e izquierdo de la plataforma. Vea la Figura 28.

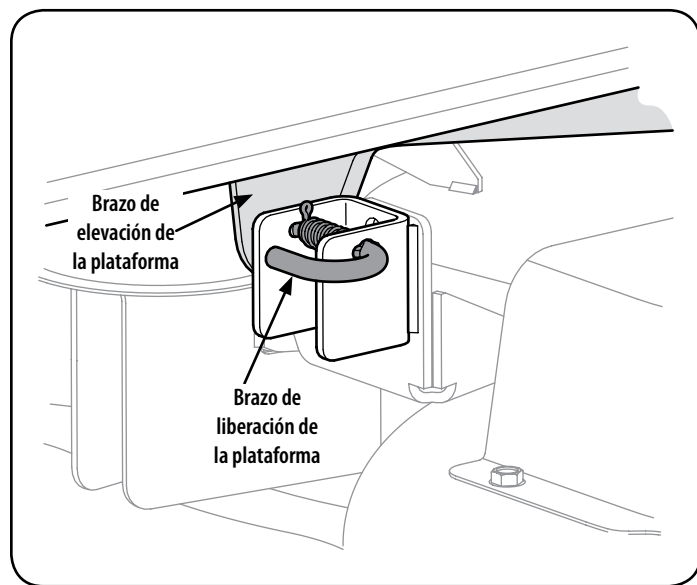


Figura 28

- Ubique la manija de elevación de la plataforma en la posición de corte más elevada y deslice la plataforma hacia afuera desde abajo del tractor cortacésped.

## Instalación de la plataforma

Instale la plataforma sobre el tractor cortacésped de la siguiente manera:

- Coloque la manija de elevación de la plataforma en la posición de corte más elevada. Vea la Figura 24.
- Deslice la plataforma debajo del tractor cortacésped del lado derecho del mismo, alineando las ménsulas de suspensión de la plataforma y los brazos de elevación de la plataforma.
- Una vez que la plataforma esté debajo del tractor cortacésped, mueva la manija de elevación de la plataforma a la posición de corte más baja.  
**NOTA:** Para que los soportes se alineen adecuadamente puede ser necesario colocar un bloque de madera pequeño debajo de cada lado de la plataforma.
- Tire de los pasadores de liberación de la plataforma hacia afuera y ubique la plataforma según sea necesario para alinear los orificios de los brazos de elevación de la plataforma con los pasadores. Consulte la Figura 28.
- Una vez alineados, empuje cada pasador totalmente hacia adentro a través de los brazos de elevación para fijar los brazos en las ranuras de las ménsulas de suspensión traseras.
- Vuelva a instalar la varilla de elevación delantera de la plataforma y sujétela en su lugar con el pasador de chaveta. Consulte la Figura 27.
- Asegúrese de que la correa en 'V' esté en las poleas del husillo de la plataforma, luego oriente la correa hacia atrás por debajo del bastidor del tractor cortacésped, por encima de los tubos de transmisión, hacia la polea de la PTO en la base del motor.
- Usando la manija de elevación de la plataforma, levante la plataforma a la posición que le ofrece mayor recorrido horizontal de la correa entre las poleas locas de la plataforma y la polea de la PTO en la base del motor.
- Asegúrese de que la correa esté en las poleas del husillo de la plataforma y que el lado trasero de la correa esté contra las poleas locas fija y móvil.
- Sentado detrás del tractor cortacésped, mirando hacia adelante, asegúrese de que la correa no esté retorcida; luego estire la mano debajo del tractor para agarrar la correa y tirar de la misma hacia la polea de la PTO.

- Tire del lado derecho de la correa hacia atrás y coloque el lado V angosto de la correa en la polea de la PTO. Vea la Figura 26.
- Mientras sostiene la correa y la polea juntas, rote la polea hacia la izquierda (Vea la Figura 26). Siga sosteniendo y rotando la polea y la correa hasta que la correa se enrolle totalmente en la polea de la PTO.

**NOTA:** Antes de usar el tractor cortacésped, compruebe la instalación de la correa para estar seguro de que la misma se ha colocado correctamente.

## Cambio de la correa

- Retire la plataforma desde abajo del tractor cortacésped (consulte Retiro de la plataforma).
- Afloje, pero no quite los accesorios a derecha e izquierda de la polea loca. Consulte la Figura 29 las plataformas de 42" y las Figura 30 plataformas de 50".

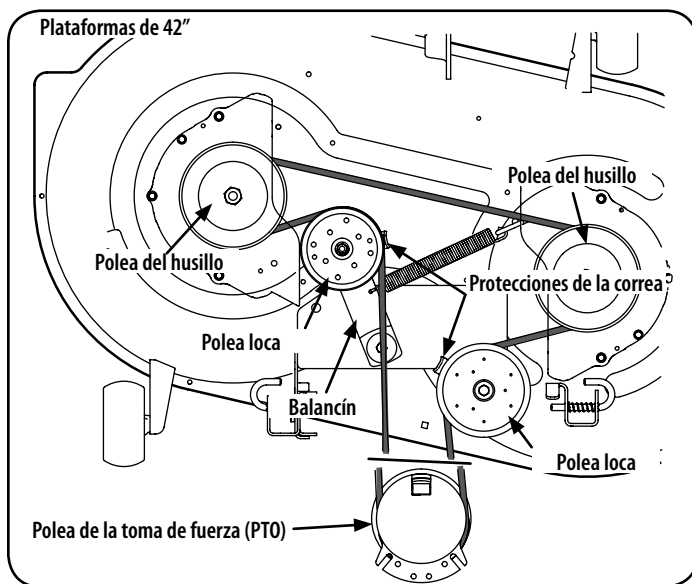


Figura 29

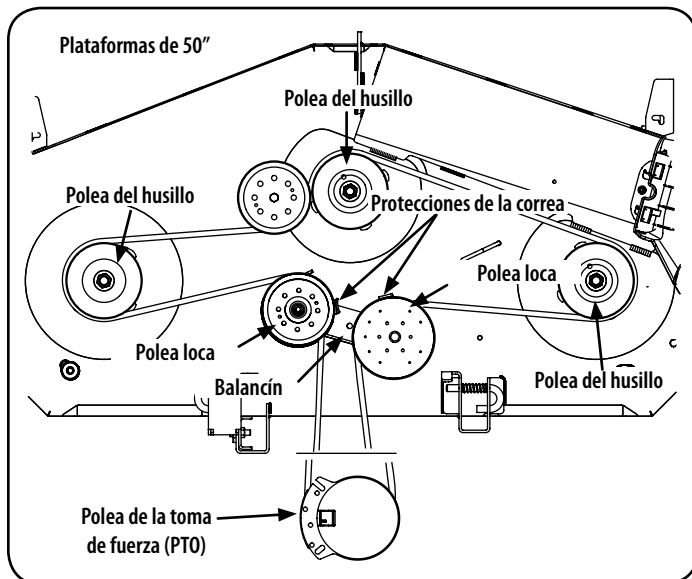


Figura 30

**NOTA:** Tome nota de la posición de las protecciones de correa para asegurar que se hayan vuelto a instalar de manera correcta.

**NOTA:** En algunas plataformas puede ser necesario retirar las cubiertas de los husillos para sacar y/o instalar la correa nueva. Para retirar las cubiertas de los husillos, saque los tornillos que los sujetan a la plataforma.

### ⚠ ADVERTENCIA

Tenga cuidado de no pellizcarse los dedos cuando coloca la correa en la polea de la potencia de arranque.

# SERVICIO Y MANTENIMIENTO

3. Saque con cuidado la correa de alrededor de las poleas locas y las poleas de los husillos.
4. Instale la nueva correa alrededor de las poleas tal como se muestra y reinstale las cubiertas de las correas.
5. Coloque la correa alrededor de las poleas locas que extraje en el paso 3 con el lado en "V" orientado hacia adentro. Una vez que todo esté en su lugar, vuelva a colocar los elementos de ferretería y ajuste la tuerca de seguridad con brida para sujetar el conjunto.
6. Pase la correa como se indica y vuelva a instalar la plataforma (consulte Instalación de la plataforma).

## Cuidado de las cuchillas de la cortadora de césped

### ⚠ ADVERTENCIA

Antes de realizar cualquier tarea de mantenimiento, coloque el interruptor de la toma de fuerza (PTO) en la posición "OFF" (apagado), enganche la palanca del freno de mano, gire la llave de encendido a la posición "OFF" (apagado) y retire la llave del interruptor. Proteja sus manos utilizando guantes reforzados cuando manipule las cuchillas. Cuando realice el mantenimiento de la plataforma de corte, tenga cuidado para no cortarse con las cuchillas filosas.

Las cuchillas de corte deben estar siempre afiladas. Afile los bordes de corte de las cuchillas de forma pareja de modo que las cuchillas queden balanceadas y se mantenga el mismo ángulo de filo.

Si el borde de corte de una cuchilla ya se ha afilado muchas veces, o si hay alguna separación en el metal, se recomienda instalar cuchillas nuevas. Utilice únicamente cuchillas de reemplazo idénticas. Para comprar cuchillas, llame al 1-888-331-4569

Las cuchillas se pueden extraer de la siguiente manera.

1. Extraiga la plataforma de la parte inferior del tractor cortacésped, (consulte la sección Extracción de la plataforma); luego voltee con delicadeza la plataforma para dejar al descubierto su parte inferior.
2. Use una llave de  $15/16$ " para sostener la tuerca hexagonal en la parte superior del conjunto del husillo cuando afloje la tuerca hexagonal que fija la cuchilla. Se puede colocar un bloque de madera entre el alojamiento de la plataforma y el borde de corte de la cuchilla para ayudar a aflojar la tuerca hexagonal que fija la cuchilla. Vea la Figura 31.

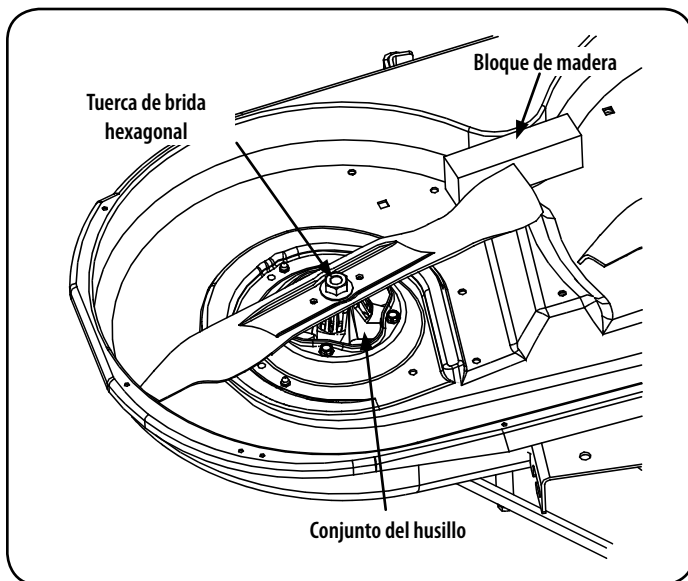


Figura 31

**NOTA:** Si existe una separación de metal, reemplace las cuchillas por otras nuevas.

3. Para afilar las cuchillas de corte correctamente, extraiga cantidades iguales de metal de ambos extremos de las cuchillas a lo largo de los bordes cortantes, paralelo al borde de caída, a un ángulo de 25° a 30°. Vea la Figura 32.

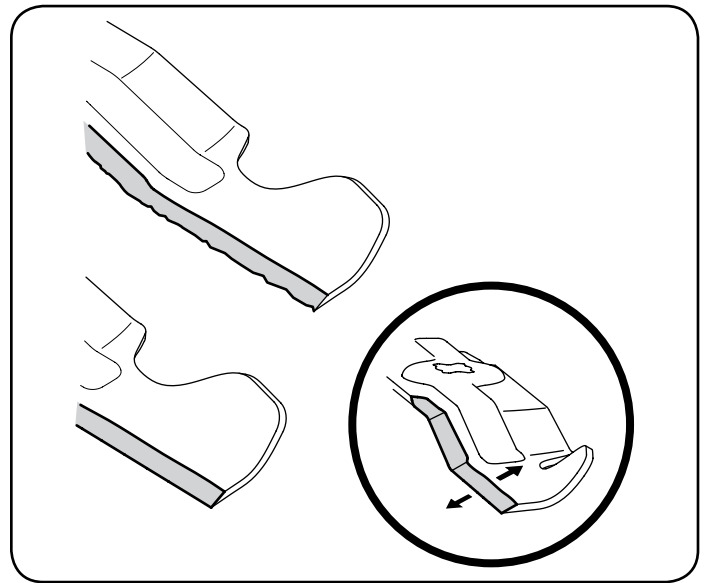


Figura 32

4. Es importante que cada borde de corte de la cuchilla sea pulido por igual para mantener el equilibrio adecuado de la cuchilla. Una cuchilla desequilibrada causará demasiada vibración, y puede ocasionar daños a la cortadora que resulten en lesiones personales. Se puede probar la cuchilla balanceándola sobre un destornillador de eje circular. Afile el metal del lado pesado hasta que quede bien equilibrada.
5. Cuando reinstale las cuchillas, asegúrese de que se instalen de modo que las aletas se orienten hacia arriba hacia la parte superior de la plataforma.
6. Ajuste las tuercas de las cuchillas a 70-90 pies libras.
7. Reinstale la plataforma (consulte Instalación de la plataforma).

## Cambio de la correa de transmisión

Para cambiar la correa de transmisión del tractor cortacésped, se deben retirar varios componentes y se deben usar herramientas especiales. Haga revisar el tractor cortacésped por Sears u otro distribuidor de servicio calificado.

## Desplazamiento lento del tractor cortacésped

Desplazamiento lento es el movimiento del tractor cortacésped hacia adelante o hacia atrás cuando el acelerador está activado y las palancas de control de velocidad están en punto muerto. Si el tractor cortacésped se desplaza lentamente, hágalo revisar por Sears u otro distribuidor de servicio calificado.

# ALMACENAMIENTO FUERA DE TEMPORADA

## ADVERTENCIA

Nunca almacene el tractor cortacésped con combustible en el tanque en un espacio cerrado o en áreas poco ventiladas donde los gases del combustible puedan llegar a una llama expuesta, una chispa o un piloto como el que tienen algunos hornos, calentadores de agua, secadores de ropa o algún artefacto a gas.

## Almacenamiento del tractor cortacésped

Si el tractor cortacésped no va a funcionar por un período prolongado (desde treinta días hasta aproximadamente seis meses), se lo debe preparar para el almacenamiento. Guarde el tractor cortacésped en un lugar seco y protegido. Si lo guarda afuera, cúbralo (incluidos los neumáticos) para protegerlo de los fenómenos climáticos. Cada vez que se prepara el tractor cortacésped para dejarlo fuera de uso se deben realizar los procedimientos descritos más abajo.

1. Cambie el aceite y filtro de motor según las instrucciones suministradas en la sección Servicio y mantenimiento de este manual.

## ADVERTENCIA

Nunca guarde el tractor cortacésped con combustible en el depósito en un lugar cerrado o con escasa ventilación, donde los gases del combustible pueden generar fuego, chispas o encender una luz piloto como la de hornos, calentadores de agua, secadores de ropa, etc.

2. Si guarda el tractor cortacésped por 30 días o más:
  - a. Para evitar que se formen depósitos de goma dentro del carburador del motor y posibles desperfectos en el motor, el sistema de combustible debe ser vaciado completamente, o se debe tratar la gasolina con un estabilizador para evitar el deterioro.

## ADVERTENCIA

El combustible que queda en el depósito se deteriora y causa graves problemas de arranque.

- b. Uso de un estabilizador de combustible:
    - Lea las instrucciones y recomendaciones del fabricante del producto.
    - Agregue a la gasolina limpia y fresca la cantidad correcta de estabilizador según la capacidad (aproximadamente 3 galones) del sistema de combustible.
    - Llene el depósito de combustible con combustible tratado y haga funcionar el motor 2-3 minutos para estabilizar el combustible dentro del carburador.
  - c. Vaciado del sistema de combustible:
    - Antes de guardar el tractor cortacésped, observe el consumo de combustible a los efectos de hacer funcionar el tractor hasta que el depósito esté vacío.
    - Arranque el motor y déjelo funcionar hasta que se agote el combustible. Esto evitará la formación de depósitos de goma y barniz.
3. Retire las bujías y vierta aproximadamente una onza de aceite en cada cilindro. Haga arrancar el motor una o dos vueltas para que el aceite se distribuya de forma pareja en las paredes del cilindro. Vuelva a colocar las bujías.
  4. Limpie perfectamente el motor y toda la unidad.

**NOTA:** No se recomienda el uso de una lavadora de presión ni de una manguera de jardín para limpiar el tractor cortacésped. Pueden producir daños a los componentes eléctricos, husillos, poleas, rodamientos o al motor. El uso de agua acortará la vida útil de la máquina y reducirá su capacidad de servicio.

5. Afíle las cuchillas para que la máquina esté lista para el uso cuando necesite usarla.
6. Proteja las superficies metálicas. Repare las rayaduras con pintura de retoque adecuada en aerosol. Pincele cualquier superficie no pintada, incluidas las poleas y las cuchillas, con aceite preventivo de herrumbre. (Tenga cuidado para que el aceite no toque las correas de transmisión).
7. Limpie y cargue totalmente la batería, luego desconecte el cable negativo de la batería para evitar posibles descargas. Vuelva a cargar la batería periódicamente durante el almacenamiento.  
**NOTA:** Retire la batería si está expuesta a períodos prolongados de temperaturas inferiores al congelamiento. Guarde en un lugar fresco y seco, donde las temperaturas estén por encima del punto de congelamiento.
8. Lubrique todos los puntos de lubricación.
9. Levante la máquina y guárdela sobre bloques para que el peso no se apoye sobre los neumáticos.

## Retiro del tractor cortacésped del lugar de almacenamiento

1. Controle el nivel de aceite de motor.
2. Cargue totalmente la batería, baje el tractor cortacésped de los bloques e infle los neumáticos a la presión recomendada.
3. Retire las bujías y límpielas. Con el arrancador, arranque el motor para bombear el exceso de aceite y sacarlo de los orificios de las bujías. Vuelva a colocar las bujías y los conductores de encendido.
4. Si se vació el depósito de combustible antes de guardar el tractor, llénelo con gasolina limpia y nueva.
5. Compruebe el nivel de aceite del motor dentro del cigüeñal y el depósito de fluido hidráulico.
6. Arranque el motor y déjelo andar en ralentí unos cuantos minutos para asegurar que su funcionamiento sea adecuado.
7. Conduzca el tractor cortacésped sin carga para estar seguro de que todos los sistemas del tractor funcionan correctamente.

# SOLUCIÓN DE PROBLEMAS

## ADVERTENCIA

Antes de realizar cualquier tipo de mantenimiento/servicio, desactive todos los controles y detenga el motor. Espere a que se detengan completamente todas las piezas móviles. Desconecte el cable de la bujía y póngalo haciendo masa contra el motor para evitar que se encienda accidentalmente. Utilice siempre anteojos de seguridad durante la operación o mientras realiza ajustes o reparaciones.

En esta sección se analizan problemas menores de servicio. Para ubicar el Centro de Servicio Sears más cercano o para programar un servicio, simplemente comuníquese con Sears al teléfono 1-888-331-4569.

Problema	Causa	Solución
El motor no arranca	<ol style="list-style-type: none"> <li>Perilla de toma de fuerza (PTO)/activación de cuchilla activada.</li> <li>No está puesto el freno de mano.</li> <li>Se ha desconectado el cable de bujía.</li> <li>La palanca de control del acelerador no está en la posición de arranque correcta.</li> <li>El depósito de combustible está vacío o el combustible se ha echado a perder.</li> <li>La línea del combustible o el filtro de combustible están tapados.</li> <li>La bujía no funciona correctamente.</li> <li>Motor ahogado.</li> <li>Fusible(s) quemado(s).</li> </ol>	<ol style="list-style-type: none"> <li>Coloque la perilla en la posición de desactivación (OFF).</li> <li>Ponga el freno de mano.</li> <li>Conecte el cable a la bujía.</li> <li>Mueva la palanca del acelerador a la posición FAST (velocidad rápida).</li> <li>Llene el depósito con gasolina limpia y nueva (de menos de 30 días de antigüedad).</li> <li>Vuelva a colocar la línea de combustible. Comuníquese con Sears u otro distribuidor de servicio calificado. Reemplace el filtro de combustible. Consulte la sección Servicio y Mantenimiento.</li> <li>Limpie, ajuste la separación, o cambie la bujía.</li> <li>Arranque el motor con el acelerador en la posición FAST (velocidad rápida)..</li> <li>Reemplace el fusible.</li> </ol>
El motor funciona de manera errática	<ol style="list-style-type: none"> <li>El tractor cortacésped está funcionando con el Cebador activado.</li> <li>El cable de la bujía está flojo.</li> <li>La línea del combustible está tapada o el combustible se ha echado a perder.</li> <li>La ventilación en la tapa del combustible está obstruida.</li> <li>Hay agua o suciedad en el sistema de combustible.</li> <li>El depurador de aire está sucio.</li> </ol>	<ol style="list-style-type: none"> <li>Compruebe que el cebador eléctrico funcione. Comuníquese con Sears u otro distribuidor de servicio calificado.</li> <li>Conecte y ajuste el cable de la bujía.</li> <li>Vuelva a colocar la línea de combustible. Comuníquese con Sears u otro distribuidor de servicio calificado. Llene el tanque con gasolina limpia y nueva y reemplace el filtro de combustible. Consulte la sección Servicio y Mantenimiento.</li> <li>Destape la ventilación o reemplace la tapa si está dañada.</li> <li>Vacíe el tanque de combustible. Recargue el tanque con gasolina limpia y nueva. Consulte la sección Servicio y Mantenimiento.</li> <li>Limpie o reemplace el elemento de papel del depurador de aire o limpie el prefiltro de espuma.</li> </ol>
El motor recalienta	<ol style="list-style-type: none"> <li>El nivel de aceite del motor está bajo.</li> <li>Flujo de aire restringido</li> </ol>	<ol style="list-style-type: none"> <li>Llene el motor con cantidad y tipo de aceite adecuados.</li> <li>Elimine los recortes de césped y los desechos de alrededor de las aletas de enfriamiento del motor y de la carcasa del soplador.</li> </ol>
El motor vacila a altas revoluciones	<ol style="list-style-type: none"> <li>Poca separación de los electrodos de la bujía</li> </ol>	<ol style="list-style-type: none"> <li>Extraiga la bujía y regule la separación.</li> </ol>
El motor funciona mal en marcha lenta	<ol style="list-style-type: none"> <li>La bujía de encendido está sucia</li> <li>El depurador de aire está sucio.</li> </ol>	<ol style="list-style-type: none"> <li>Extraiga la bujía y regule la separación.</li> <li>Limpie o reemplace el elemento del depurador de aire y/o limpie el prefiltro.</li> </ol>
Excesiva vibración	<ol style="list-style-type: none"> <li>Cuchillas de corte flojas o descentradas.</li> <li>Cuchilla dañada, desafilada o doblada.</li> </ol>	<ol style="list-style-type: none"> <li>Apriete la cuchilla y el husillo. Equilibre la cuchilla.</li> <li>Reemplace la cuchilla.</li> </ol>
Corte irregular	<ol style="list-style-type: none"> <li>La plataforma no está correctamente nivelada.</li> <li>Cuchilla desafilada.</li> <li>Presión de neumáticos desigual.</li> </ol>	<ol style="list-style-type: none"> <li>Haga un ajuste de la plataforma de lado a lado.</li> <li>Afile o cambie la cuchilla.</li> <li>Verifique la presión de los cuatro neumáticos.</li> </ol>