

# Hair Straightener

User's manual

EN



## SENCOR®

SHI 780 / SHI 781VT / SHI 782GR

**Translation of the original manual**

Prior to using this appliance, please read the user's manual thoroughly, even in cases, when one has already familiarised themselves with previous use of similar types of appliances. Only use the appliance in the manner described in this user's manual. Keep the user's manual in a safe place where it can be easily retrieved for future use.

Save the original shipping box, packaging material, purchase receipt and warranty card for the duration of the warranty. In the event of shipping, pack the appliance using the original packaging materials only.

EN-1

# Hair Straightener

SHI 780 / SHI 781VT / SHI 782GR

## CONTENTS

IMPORTANT SAFETY INSTRUCTIONS.....	3
DESCRIPTION.....	7
INTRODUCTION.....	8
WHAT IS TOURMALINE?.....	8
WHY ARE THE NEGATIVE IONS SO IMPORTANT?.....	8
INSTRUCTIONS FOR USE.....	8
CLEANING AND MAINTENANCE.....	10
TECHNICAL SPECIFICATIONS.....	10
INSTRUCTIONS AND INFORMATION REGARDING THE DISPOSAL OF USED PACKAGING MATERIALS.....	10
DISPOSAL OF USED ELECTRICAL AND ELECTRONIC APPLIANCES.....	10

## IMPORTANT SAFETY INSTRUCTIONS

- This appliance may be used by children 8 years of age and older and by persons with physical or mental impairments or by inexperienced persons, if they are properly supervised or have been informed about how to use the product in a safe manner and understand the potential dangers.
- Children must not play with the appliance.
- Cleaning and maintenance performed by the user must not be performed by unsupervised children.
- In the event that the power cord is damaged, have it repaired at a professional service centre to prevent causing a dangerous situation. It is forbidden to use the appliance if it has a damaged power cord.



### **Warning:**

Do not use this appliance in the vicinity of water.



### **Warning:**

Do not use this appliance near baths, showers, washbasins or other containers containing water.

- In the event that you use the appliance in the bathroom, unplug it from the socket after use by removing the plug from the socket, as the vicinity of water poses a danger, even when the appliance is turned off.
- To ensure additional safety, it is recommended to install an Residual Current Device (RCD) into the electric circuit to the bathroom with a maximum current rating of 30 mA. Ask an electrician for advice.
- We recommend saving the original shipping cardboard box, packaging material, receipt and warranty card for the duration of warranty. In the case of transportation, pack the product using the original packaging materials only.
- Before connecting this product to the socket outlet, make sure the voltage stated on the label of the product corresponds to the voltage in your wall socket.
- Never use accessories, which have not been supplied with this product or which are not designed for this product.
- Do not place the power cord near hot places or sharp objects. Do not place heavy objects on the power cord. Position the cord so that it will not be

stepped on or tripped over. Make sure the power cord is not touching a hot surface.

- Do not disconnect the power cord from the wall outlet by pulling the cord.
- In no case should you attempt to repair the unit yourself, do not make any amendments to it danger of electric shock! Entrust all repairs and adjustments to a specialised company/service. Failure to do so will expose you to a danger of voiding the warranty policy.
- Never use the product if you have wet hands or feet.
- Only store and use the product away from flammable or volatile materials and solutions.
- This product is designed for indoor use, do not use outdoors.
- Do not use the product for purposes other than those intended.
- Do not spray the product with water or any other liquid. Do not pour water or any other liquids onto the product. Do not submerge the product in water or in any other liquid.
- Make sure the product will not come in contact with water. Never use the product near a bathtub, wash basin or any other containers filled with water.

# Hair Straightener

SHI 780 / SHI 781VT / SHI 782GR

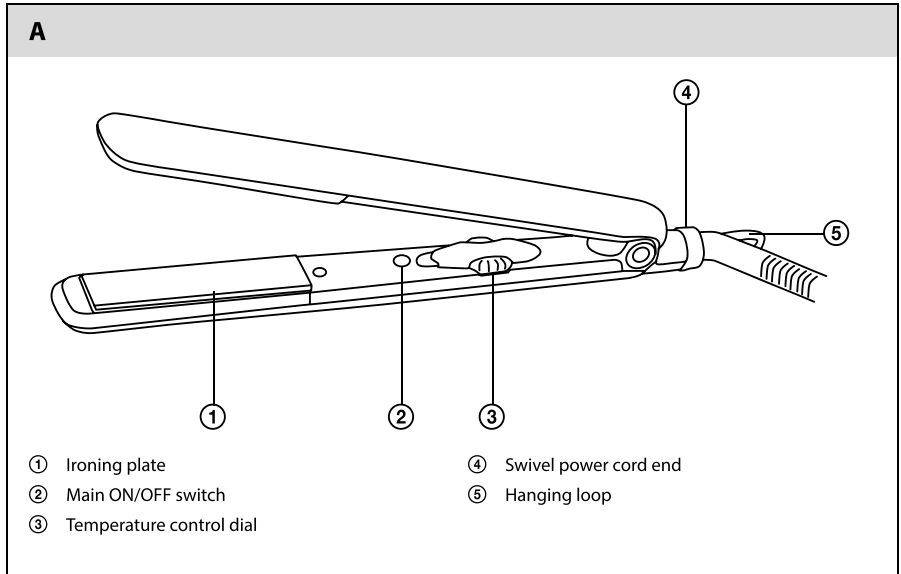
- If you are not using the product, or if you know that you will not be using it soon, turn it off and disconnect the power cord from the wall socket. Prior to cleaning, proceed in the same manner.
- Never leave the product switched on without supervision.
- Before storing always allow the product to fully cool down.
- If the product is operating or has not fully cooled down, do not place it on soft underlays (e.g. carpets, bed linen, towels, etc.) and never cover it.
- Do not use the product in an environment with excessive dust.
- Use extra care if the product is used near children. Always keep the product out of the reach of children.
- Prevent the product from coming into contact with skin.
- Never use the iron on synthetic hair or on animal fur.
- Thoroughly clean dust, fats and hairdressing agents (e.g. gels, mousse, sprays, etc.) from the flattening plates after each use – these lower the performance and lifetime of the plates.

# Hair Straightener

SHI 780 / SHI 781VT / SHI 782GR

EN

## DESCRIPTION



## INTRODUCTION

The pads for your hair iron are made of a special combination of ceramics and tourmaline. Tourmaline pads send infrared radiation through the hair which causes quick heating and ionisation. This enables you to perform quick and healthier hair styling.

## WHAT IS TOURMALINE?

Tourmaline is a rare mineral with unique ionisation and infrared properties. Tourmaline together with the ceramics are coated on the surface of the ironing pads in a form of an extra fine powder. Thermal finishing gives the surface its typical and hard surface. Tourmaline radiates negative ions and infrared heat naturally. When heated, it creates an electrical field of negative ions. The secret lies in evenly spread tourmaline on the surface of ceramic ironing pads. When heated, the majority of negative ions and infrared heat is naturally released and spread around the ceramic pads.

### Why are the negative ions so important?

Negative ions near the surface create a smooth, velvety hair surface and maintain natural moisture. They protect the colour and shine of the hair while guarding against humidity. Negatively charged ions also eliminate static electricity from the hair surface and the hair remains stable, silky and free of waves and curls.

### Why is infrared heat so important?

Infrared heat penetrates inside the hair and warms it up evenly. It is a different type of heat from that which heats up the surrounding air. Infrared radiation penetrates deep inside the hair, instead of the surrounding air which makes the hair more elastic, soft and easier to manage. Less heat is concentrated on the hair surface which lowers the amount of damage to the hair. At the same time, the hair moisture is maintained.

## INSTRUCTIONS FOR USE

### Connecting and setting up the iron

- 1) Connect the iron to a power socket.



**Notice:**

Do not touch the ironing surfaces – there is a danger of burns!

- 2) Set the desired temperature using the dial.
- 3) Press the main ON/OFF switch to turn on the iron. ON is indicated by a short beep and a blue flash in the area of the temperature dial (1 × per 2 seconds).
- 4) The achievement of the working temperature is indicated by a short tripple beep and by a permanent blue light in the area of the temperature dial.
- 5) Now you may proceed to the actual ironing of your hair.

# Hair Straightener

SHI 780 / SHI 781VT / SHI 782GR

EN

This hair iron is equipped with an automatic error detection function – in such a case the iron will beep twice per second, while at the same time flashing blue in the area of the temperature dial. It will now not be possible to turn off the iron with the main ON/OFF switch and so it is necessary to turn it off by pulling the power cord out of the power socket and to take it to an authorised service centre.

## Turning off the iron

After finishing working with the iron, turn it off by holding down the ON/OFF switch for about 3 seconds. OFF is indicated by a short beep. For safety reasons the iron will also turn itself off automatically after 60 minutes of operation.



**Warning:**  
Allow the iron to fully cool down before storing!

## Procedure for ironing hair

- 1) Thoroughly wash the hair, dry the hair and brush through thoroughly so that it is smooth and without knots.
- 2) Separate this prepared hair using clips into equally wide strands (about 5 cm wide).
- 3) Start to iron the back part of the head at the lower strands of hair – at the root place the strand of hair between the plates and gently press the handle of the iron. With a sliding motion pull the iron all the way to the ends of the hair.
- 4) Repeat the procedure for the same strand of hair until you achieve the desired appearance.
- 5) Continue in the same way with the remaining strands of hair (first on the front part of the head and ending at the sides).
- 6) Before the final combing, allow the hair to fully cool down.



**Warning:**  
Do not leave the iron on the one spot for longer than 2 seconds as hair could be burnt.  
Use the iron only on healthy hair.  
Do not use the iron on oily, stuck together or sweaty hair.  
On perm or coloured hair only use the iron infrequently.



**Tip:**  
Adjust the speed of movement of the iron on the hair strands to their character (fine hair is more sensitive to a hot surface and requires a significantly shorter ironing time than stronger hair).

## Appropriate temperature settings for various types of hair:

- 1) For straightening rough, curled or hard hair:
  - set a higher temperature (180 °C to 230 °C)
- 2) For fine, slight to medium curled hair:
  - set a lower temperature (120 °C to 180 °C)
- 3) For blended or coloured hair:
  - start at a low temperature and gradually increase it

# Hair Straightener

SHI 780 / SHI 781VT / SHI 782GR

## CLEANING AND MAINTENANCE

To clean the outside parts of the product and the ironing plates use a fine cloth dipped in lukewarm water. Do not use aggressive cleaning agents, paint thinners or solvents. Using these solutions could damage the surface of the product. The surface of the iron plates made from a tourmaline ceramic surface does not need any further cleaning.



**Warning:**

Clean the ironing plates only after they have fully cooled down!

## TECHNICAL SPECIFICATIONS

Nominal voltage .....	220–240 V AC (alternate current)
Maximum power input .....	35 W
Safety class (with regard to electric shock protection) .....	II
Time for heating up to operating temperature .....	40 seconds
Temperature control .....	in the range 120–230 °C

We reserve the right to change the text and technical specifications.

## INSTRUCTIONS AND INFORMATION REGARDING THE DISPOSAL OF USED PACKAGING MATERIALS

Dispose of packaging material at a public waste disposal site.

## DISPOSAL OF USED ELECTRICAL AND ELECTRONIC APPLIANCES



The meaning of the symbol on the product, its accessory or packaging indicates that this product shall not be treated as household waste. Please, dispose of this product at your applicable collection point for the recycling of electrical & electronic equipment waste. Alternatively in some states of the European Union or other European states you may return your products to your local retailer when buying an equivalent new product. The correct disposal of this product will help save valuable natural resources and help in preventing the potential negative impact on the environment and human health, which could be caused as a result of improper liquidation of waste. Please ask your local authorities or the nearest waste collection centre for further details. The improper disposal of this type of waste may fall subject to national regulations for fines.

**For business entities in the European Union**

If you wish to dispose of an electrical or electronic device, request the necessary information from your seller or supplier.

**Disposal in other countries outside the European Union**

If you wish to dispose of this product, request the necessary information about the correct disposal method from local government departments or from your seller.



This product meets all the basic EU regulation requirements that relate to it.