

# **VEVOR<sup>®</sup>**

## **TOUGH TOOLS, HALF PRICE**

Technical Support and E-Warranty Certificate [www.vevor.com/support](http://www.vevor.com/support)

### **POWER TROWEL**

**MODEL:HMR950、HMR1200**

We continue to be committed to provide you tools with competitive price.

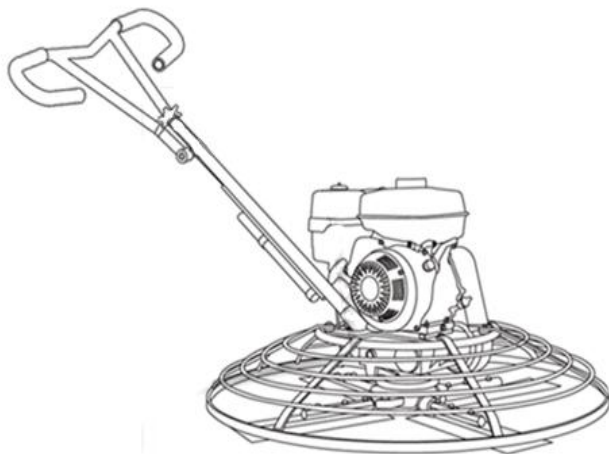
"Save Half", "Half Price" or any other similar expressions used by us only represents an estimate of savings you might benefit from buying certain tools with us compared to the major top brands and does not necessarily mean to cover all categories of tools offered by us. You are kindly reminded to verify carefully when you are placing an order with us if you are actually saving half in comparison with the top major brands.

# VEVOR<sup>®</sup>

TOUGH TOOLS, HALF PRICE

## POWER TROWEL

MODEL:HMR950、HMR1200



<Picture Only For Reference >

### NEED HELP? CONTACT US!

Have product questions? Need technical support? Please feel free to contact us:

**Technical Support and E-Warranty Certificate**  
**[www.vevor.com/support](http://www.vevor.com/support)**

This is the original instruction, please read all manual instructions carefully before operating. VEVOR reserves a clear interpretation of our user manual. The appearance of the product shall be subject to the product you received. Please forgive us that we won't inform you again if there are any technology or software updates on our product.

# IMPORTANT SAFEGUARDS



**WARNING:** Read and understand this entire manual before operating or servicing this product. Failure to follow these warnings and instructions can cause personal injury or damage to valuable property.

## 1. Safety Information

### 1.1 Laws Pertaining to Spark Arresters

Notice: State Health Safety Codes and Public Resources Codes specify that in certain locations spark arresters be used on internal combustion engines that use hydrocarbon fuels. A spark arrester is a device designed to prevent accidental discharge of sparks or flames from the engine exhaust. Spark arresters are qualified and rated by the United States Forest Service for this purpose.

In order to comply with local laws regarding spark arresters, consult the engine distributor or the local Health and Safety Administrator.

### 1.2 Operating Safety



#### **WARNING**

Familiarity and proper training are required for the safe operation of equipment! Equipment operated improperly or by untrained personnel can be dangerous! Read the operating instructions contained in both this manual and the engine manual and familiarize yourself with the location and proper use of all controls. Inexperienced operators should receive instruction from someone familiar with the equipment before being allowed to operate the machine.

- **NEVER** allow anyone to operate this equipment without proper training. People operating this equipment must be familiar with the risks and hazards associated with it.
- **NEVER** touch the engine or muffler while the engine is on or immediately after it has been turned off. These areas get hot and may cause burns.
- **NEVER** use accessories or attachments that are not recommended by

Tomahawk Power. Damage to equipment and injury to the user may result.

- **NEVER** leave machine running unattended.
- **ALWAYS** be sure operator is familiar with proper safety precautions and operation techniques before using machine.
- **ALWAYS** wear ANSI Z87.1-approved safety goggles or safety glasses with side shields, or when needed, a face shield. Use a dust mask in dusty work conditions. Also use non-skid safety shoes, hardhat, gloves, dust collection systems, and hearing protection when appropriate. This applies to all persons in the work area.
- **ALWAYS** close fuel valve on engines equipped with one when machine is not being operated.
- **ALWAYS** store equipment properly when it is not being used. Equipment should be stored in a clean, dry location out of the reach of children.
- **ALWAYS** operate machine with all safety devices and guards in place and in working order. DO NOT modify or remove safety devices. DO NOT operate machine if any safety devices or guards are missing or inoperative.
- **ALWAYS** read, understand, and follow procedures in Operator's Manual before attempting to operate equipment.

### 1.3 Safety while using Combustion Engines

#### **DANGER**

Internal combustion engines present special hazards during operation and fueling! Read and follow warning instructions in engine owner's manual and safety guidelines below. Failure to follow warnings and DANGER safety guidelines could result in severe injury or death.

- **DO NOT** run machine indoors or in an enclosed area such as a deep trenches unless there is adequate ventilation, through such items as exhaust fans or hoses are provided. Gasoline exhaust from the engine contains poisonous carbon monoxide gas; exposure to carbon monoxide can cause loss of consciousness and may lead to

death.

- **DO NOT smoke while operating machine.**
- **DO NOT smoke when refueling engine.**
- **DO NOT refuel hot or running engine.**
- **DO NOT refuel engine near open flame.**
- **DO NOT spill fuel when refueling engine.**
- **DO NOT run engine near open flames.**
- **ALWAYS refill fuel tank in well-ventilated area.**
- **ALWAYS replace fuel tank cap after refueling.**
- **ALWAYS check fuel lines and fuel tank for leaks and cracks before starting engine.**
- **DO NOT run machine if fuel leaks are present or fuel lines are loose.**

## 1.4 Service Safety



### **WARNING**

Poorly maintained equipment can become a safety hazard! In order for the equipment to operate safely and properly over a long period of time, periodic

maintenance and occasional repairs are necessary.

- **DO NOT attempt to clean or service machine while it is running.**

**Rotating parts can cause severe injury.**

- **DO NOT crank a flooded engine with the spark plug removed on gasoline-powered engines. Fuel trapped in the cylinder will squirt out the spark plug opening.**
- **DO NOT test for spark on gasoline-powered engines, if engine is flooded or the smell of gasoline is present. A stray spark could ignite fumes.**
- **DO NOT use gasoline or other types of fuels or flammable solvents to clean parts, especially in enclosed areas. Fumes from fuels and solvents can become explosive.**
- **ALWAYS keep area around muffler free of debris such as leaves, paper, cartons, etc. A hot muffler could ignite them, starting a fire.**

- **ALWAYS** replace worn or damaged components with spare parts designed and recommended by Tomahawk Power.
- **ALWAYS** disconnect spark plug on machines equipped with gasoline engines, before servicing, to avoid accidental start-up.
- **ALWAYS** keep machine clean and labels legible. Replace all missing and hard-to-read labels. Labels provide important operating instructions and warn of dangers and hazards.
- **ALWAYS** check for damaged parts before each use. Carefully check that the trowel will operate properly and perform its intended function. Replace damaged or worn parts immediately. Never operate the trowel with a damaged part.
- **ALWAYS** inspect the screed prior to placing in storage and before re-use. Store the trowel in a dry, secure place out of the reach of children when not in use.
- **ALWAYS** use only accessories that are recommended by the manufacturer for use with the trowel . Accessories that may be suitable for one trowel may create a risk of injury when used with the screed equipment.
- **ALWAYS** keep blades clean when not in use and guards in place and in working order.

## **2 Product information**

### **2.1 Intended Use**

Leave laborious hand-finishing tasks in the past with the Tomahawk Power Trowels! Densify concrete floors with ease for your ideal finishing results on projects including driveways, basements, and commercial/industrial jobs.

### **2.2 Trowel Familiarization**

VEVOR's Power Trowels are designed for the floating and finishing of concrete slabs. Analyze your trowel and take notice of each component: the engine, blades, quick pitch control, air cleaner, centrifugal stop switch, clutch and pulley system. Be sure that there is always oil in the engine.

### **2.3 Safety**

Before using your power trowel, read all of the safety instructions carefully. Safety instructions are available throughout this manual and on the equipment. Safety information should remain in good, readable condition. Operators must be well trained on the operations and maintenance of the trowel.

Before starting, test the trowel on a flat, watered down section of finished concrete. Test on a section that is free of any debris and other objects. The trial test run will increase operator confidence, while helping familiarize yourself with the trowel's controls. In addition, this will help operators understand how the power trowel functions under real conditions.

## **2.4 Engine**

VEVOR's Power Trowels are powered by Kohler Engines. Refer to the engine owner's manual for instructions regarding the operation and maintenance of your engine. The engine manual is included with your trowel.

## **2.5 Drive System**

The power is transferred from the engine to the gearbox input shaft via a V-belt pulley drive system. The pulley engages using either a centrifugal or manual clutch. Refer to the Parts section of this manual for more information.

## **2.6 Gearbox**

The gearbox is located beneath the engine and transfers power to the rotor or spiderbox assembly. The gearbox controls the rotational speed of the trowel and is equipped with two shafts (input and output).

## **2.7 Spiderbox**

The vertical output shaft of the gearbox connects to a cast hub called the spiderbox. The spiderbox has 4 arms that extend outward that are used for attachment of blades or other accessories. Remember: when the gearbox output shaft rotates, so does the spiderbox assembly.

## **2.8 Blades**

The blades of the trowel are used to finish the concrete as they rotate around your given surface. This trowel includes 4 combination blades per rotor. They are equally spaced in a radial pattern and attached to the

vertical rotating shaft by means of the spider assembly.

## 2.9 Centrifugal Clutch

In the event of a trowel runaway condition (the operator releases the handle), the centrifugal clutch will stop the engine and bring the trowel to a complete stop.

## 2.10 Training

For proper training education, refer to the “TRAINING CHECKLIST” section located in the back of this manual. This checklist contains an outline for an experienced operators to provide training to a new operator.

# 3. Technical Specifications

## Trowel

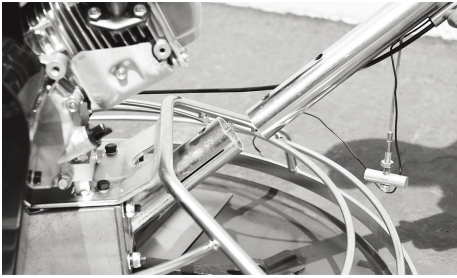
<b>Model</b>	HMR950	HMR1200
<b>Engine</b>	CH260	CH440
<b>Number of blades</b>	4	4
<b>Disc diameter</b>	38in	46in
<b>Optimum blade Angle adjustment(°)</b>	0-15	0-15

## Engine

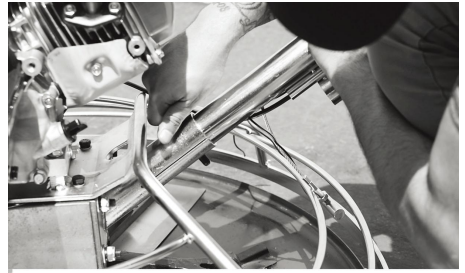
<b>Model</b>	CH440
<b>Type</b>	4-stroke,overheard camshaft,1 cylinder
<b>HP</b>	14
<b>Transmission system</b>	Worm gear and worm
<b>Fuel consumption (g/kWh)</b>	374
<b>Maximum speed (r/min)</b>	2800

# 4 User guide

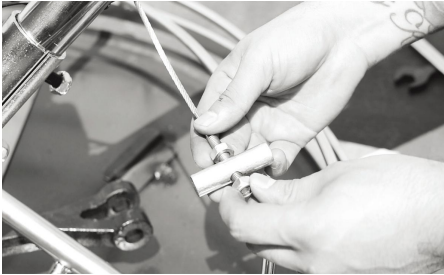
## 4.1 Express setup



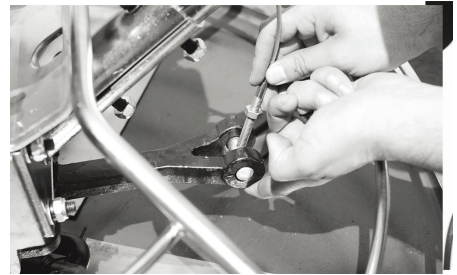
**Step1:**Insert the end of the handle bar column into the base of the trowel.



**Step2:**Insert the bolts and washers through the holes in the handle bar - fasten with a nut.



**Step3:**Unscrew the nut from the pin and insert the pin through the base of the trowel.



**Step4:**Fit the screw through the pin and fasten the nuts on the top and bottom to keep it in place.

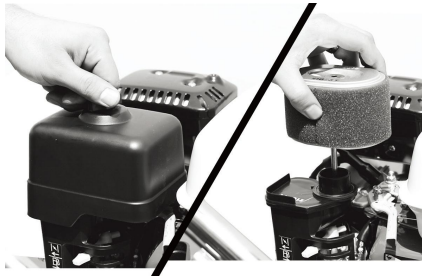


**Step5:**Fit the handle bars around the eye towards the top of the handle bar column.

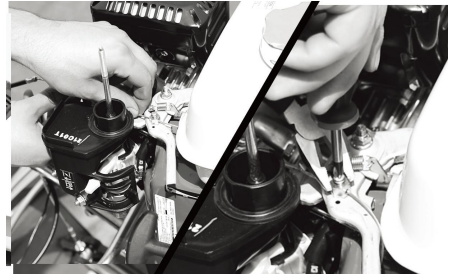


**Step6:**Place the bolt through the base of the handles and then fasten with a nut on the end.

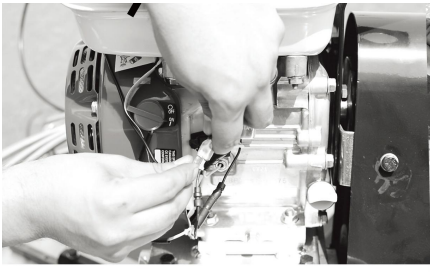
## 4.2 Quick start guide



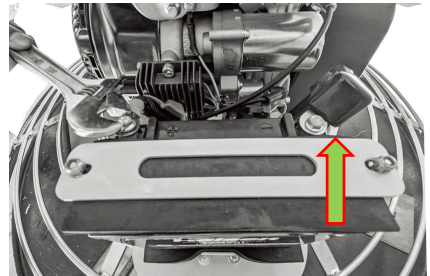
Step:7 To attach the throttle cable, remove the air filter and the cover.



Step:8 Feed the cable through the pivot nut and through the swivel stop, then fasten the screw.



Step:9 Bring the kill switch wire to the front of the engine and connect it to the shut off switch.



Step:10 Fasten the positive (red) and negative (black) engine leads to the battery.

## 5. Controls and Components

### 5.1 Handle

Includes a "starwheel" for manually adjusting blade angle .



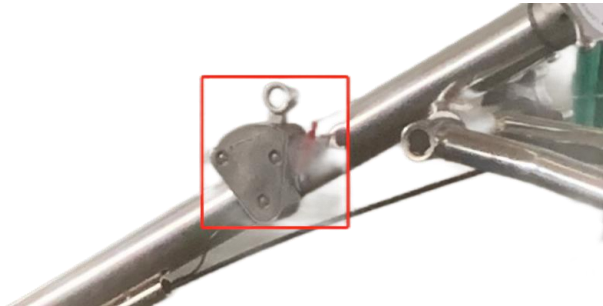
## 5.2 Foldable Quick Pitch Handle

Employs a lever handle to quickly adjust blade pitch. Handle folds for storage.



## 5.3 Centrifugal Kill Switch

In the event the operator loses control of the trowel, this switch will shut-down the engine.



## 5.4 Throttle Control Lever

The throttle controls the speed of the engine. Move the hand lever towards the operator to increase engine speed (high), away from the operator to decrease engine speed (low).



## **5.5 Bicycle Handlebars**

The trowel's wider handlebars allow for higher stability, balance, and maneuverability. Replace handle grips if they become worn or damaged.

## **5.6 Engine**

VEVOR's Trowels use Kohler engines and are backed by a 3-year engine warranty for reliable service.

## **5.7 Blade Pitch Control**

Adjust the trowel's steel blades from 0-15 degrees to achieve a matte, light gloss, or gleaming finish.

## **5.8 Guard Ring**

NEVER put hands and feet inside the guard ring.

## **5.9 Trowel Arm**

Provides attachment points for the blades. If the blades show uneven wear patterns or if blades wear out faster than others, the trowel arm may need to be replaced.

## **5.10 Blades**

This trowel is equipped with 4 combo hardened, steel blades designed for both float and finish operations. These blades are interchangeable with most manufacturers.

## **5.11 V-Belt Cover**

Remove this cover to gain access to the V-Belt. NEVER operate the trowel with this cover removed.

## **5.12 Handle**

Loosen to fold handle.

## **5.2 Additional Components**

### **5.2.1 Stabilizer Ring**

The stabilizer ring reduces the vibrations from the trowel arm and keeps it balanced.

### **5.2.2 Float Pan**

Designed to clip onto the combo blades, the float pan works to break down high spots, bringing mortar to the surface and producing a uniform and

level slab.

### **5.2.3 Auxiliary Lifting Tube**

Use this tube to lift the trowel onto a slab. Tube is to be inserted into the socket located in front of the gearbox. Available with select units.

## **6. ENGINE**

### **6.1 Servicing**

VEVOR's Trowels are powered by Kohler engines. The engine must be checked for proper lubrication and filled with fuel prior to operation. Refer to the manufacturer's engine manual for instructions & details of operation and servicing. If a problem should arise, or if you have any questions about your engine, consult an authorized Kohler servicing dealer.

### **The Importance Of Maintenance**

Good maintenance is essential for safe, economical and trouble-free operation. It will also help reduce pollution.



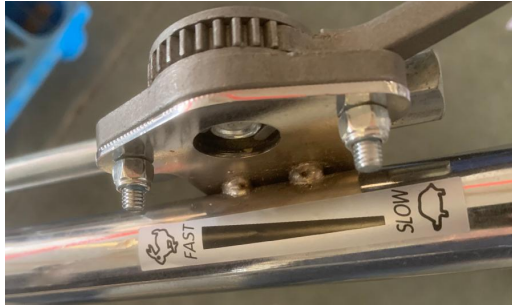
#### **WARNING**

- Improper maintenance, or failure to correct a problem before operation, can cause a malfunction in which you can be seriously hurt or killed. Always follow the inspection and maintenance recommendations and schedules in this owner's manual.

To help you properly care for your engine, the following pages include a maintenance schedule, routine inspection procedures, and simple maintenance procedures using basic hand tools. Other service tasks that are more difficult, or require special tools, are best handled by professionals and are normally performed by a Kohler technician or other qualified mechanic.

The maintenance schedule applies to normal operating conditions. If you operate your engine under severe conditions, such as sustained high-load or high-temperature operation, or use in unusually wet or dusty conditions, consult your servicing dealer for recommendations applicable to your individual needs and use.





### 6.2.3 Engine ON/OFF Switch

ON position permits engine starting, OFF position stops engine operations.



### 6.2.4 Recoil Starter (Pull Rope)

Manual-starting method. Pull the starter grip until resistance is felt, then pull briskly and smoothly.



### 6.2.5 Fuel Valve Level

OPEN to let fuel flow, CLOSE to stop the flow of fuel.

### 6.2.6 Choke Lever

Used in the starting of a cold engine or in cold weather conditions, the choke enriches the fuel mixture.

### 6.2.7 Air Cleaner

The air cleaner prevents dirt and other debris from entering the fuel system. To access the filter element, remove the wing-nut on top of the air filter canister.

#### NOTE:

**Do not operate the engine without an air filter, with a damaged air filter, or a filter in need of replacement. This will allow dirt to enter the engine and cause rapid engine wear.**

### 6.2.8 Spark Plug

The spark plug provides a spark to the ignition system. Clean the spark plug once a week. Set the spark plug gap to 0.6 - 0.7mm (0.028 - 0.031in).

### 6.2.9 Muffler

The muffler is used to reduce noise and emissions from the engine.



#### WARNING

Engine components can generate extreme heat. To prevent burns, **DO NOT** touch these areas while the engine is running or immediately after operating.

**NEVER** operate the engine with the muffler removed.

### 6.2.10 Fuel Tank

The fuel tank holds unleaded gasoline. For more information, refer to the engine owner's manual.

## 7. PRE-INSPECTION

**NEVER** operate the power trowel in a confined area or enclosed structure that does not provide ample free flow of air.

**ALWAYS** wear approved eyewear and hearing protection before operating the trowel.

**NEVER** place hands or feet inside the guard rings while the engine is running.

**ALWAYS** shut the engine down before performing any kind of maintenance on the trowel.

It is recommended that the trowel's kill switch be used to stop the engine after every use. Doing this will verify that the switch is working properly and presents no danger to the operator.

## 7.1 Before Starting

7.1.1 Read the safety instructions at the beginning of this manual.

7.1.2 Clean the power trowel by removing dirt and dust, particularly in the engine cooling air inlet, carburetor, and air cleaner.

7.1.3 Check the air filter for dirt and dust. If the air filter is dirty, replace it with a new one as required.

7.1.4 Check the carburetor for external dirt and dust. Clean it with dry compressed air.

7.1.5 Check fastening nuts and bolts for tightness.

## 7.2 Engine Oil Check

7.2.1 To check the engine oil level, place the power trowel on a secure level ground with the engine stopped.

7.2.2 Remove the filler dipstick from the engine oil filler hole (FIG. 2) and wipe it clean.

7.2.3 Insert and remove the dipstick without screwing it into the filler neck. Check the oil level shown on the dipstick.

7.2.4 If the oil level is low (FIG. 3), fill to the edge of the oil filler hole with the recommended with SAE10W-30 4 stroke oil. Maximum oil capacity is 400 cc.

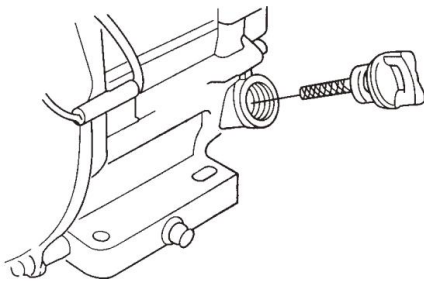


FIG.2

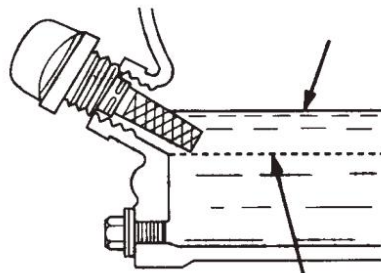


FIG.3

## 7.3 Fuel Check

Engine fuels are highly flammable and can be dangerous if mishandled. DO NOT smoke while refueling. DO NOT attempt to refuel the trowel if the engine is hot or running.

7.3.1 Remove the gasoline cap that is located on top of the fuel tank.

7.3.2 Visually inspect to see if fuel level is low. If fuel is low, replenish with 89 Octane gasoline.

7.3.3 When refueling, be sure to use a strainer for filtration. DO NOT top-off the fuel. Wipe up any spilled fuel.

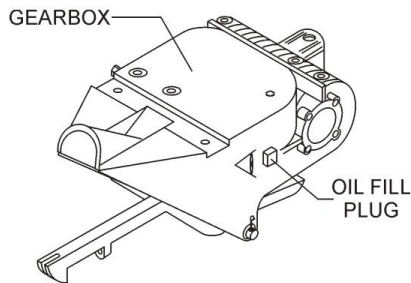


FIG.4

## 7.4 Gearbox Oil

7.4.1 Determine if the gearbox oil is low by removing the oil plug located on the side of the

gearbox. This plug will be marked by the "check" decal. See FIG. 4. The correct level of the lubrication oil should be to the bottom of the fill plug.

7.4.2 If lubrication oil begins to seep out as the drain plug is being removed, then it can be assumed that the gearbox has a sufficient amount of oil.

7.4.3 If lubrication oil does not seep out as the drain plug is being removed, fill with type ISO 680 gearbox lubricant oil until the oil filler hole overflows.

## 7.5 V-Belt Check

A worn or damaged V-belt can adversely affect the performance of your power trowel. If a V-belt is defective or worn out, simply replace the V-belt as outlined in the maintenance section of this manual.

## 7.6 Blade Check

Before starting, check for worn or damaged blades. If one blade is worn out while the others look new, this could be because of a blade pitch problem. Refer to the maintenance section of this manual for instructions on the blade pitch adjustment procedure. Replace any worn out blades.

## 7.7 SAFETY KILL SWITCHES

This power trowel has been equipped with a safety kill switch. Safety kill switches should be tested every time the engine is started.

### NOTE

**NEVER! disable or disconnect the kill switch. It is provided for operator safety. Injury may result if it is disabled, disconnected, or improperly maintained.**

## 7.8 HANDLE PRESS KILL SWITCH

Located on the main handle tube is a red switch (FIG. 5). The switching mechanism of this switch should operate freely and should always be kept in this condition. With the switch in the OFF position, the engine should not start or run. The purpose of this switch is to stop the engine in a runaway situation, (i.e.-the operator releasing the handle during operation).

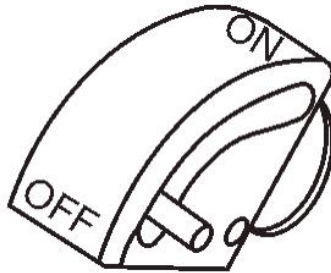


FIG.5

**DO NOT** let the machine sit unused with the engine at high speed for an extended period of time. It will cause premature belt wear or may destroy the belt.

**ALWAYS** set the engine speed to idle when the hand clutch is disengaged.

## 8. INITIAL START-UP

Lifting the Trowel Onto a Slab

### 8.1 Auxiliary Lifting Tube

Remove the auxiliary lifting tube located on top of the main handle. Insert the tube into the socket located on the opposite side of the gearbox from the handle. Make sure that the hole in the tube engages with the pin in the socket. With one person lifting from the main handle, and another lifting from the auxiliary lifting tube, pick up the machine to move onto a slab.



#### **WARNING**

**The trowel must be stabilized by the person carrying the operator's handle. If it is not stabilized properly the handle may swing around and flip the trowel, thus causing damage to the trowel and bodily injury.**

### 8.2 Lifting Bale

The lift bale is optional on new trowels. It provides an optimal lift point for moving the trowel. Lift bales or forklift can be used to lift a trowel up onto a building with a crane.

Using a crane to move a machine with a lift bale is highly recommended, and is perfectly safe for the machine. Extra care should be taken when lifting the machine off the ground, though. Serious damage to the machine or personal injury could be caused by dropping a trowel.

### 8.2 Lifting Bale Continued

This section is intended to assist the operator with the initial start-up of the walk-behind trowel. It is extremely important that this section be read carefully before attempting to use the trowel in the field.

**DO NOT** use your trowel until this section is thoroughly understood.



#### **WARNING**

**DO NOT attempt to operate the trowel until the Safety, General Information, and Inspection sections of this manual have been read and thoroughly understood. Depending on the engine manufacturer,**

operating steps may vary. See engine manufacturer's operating manual.

## 9. STARTING THE ENGINE

9.1 Place the engine fuel valve lever (FIG. 6) to the "ON" position.

9.2 Place the trowel's throttle lever (FIG. 1) to the "IDLE" position.

9.3 Place the choke lever (FIG. 7) in the "CLOSED" position if starting a cold engine.

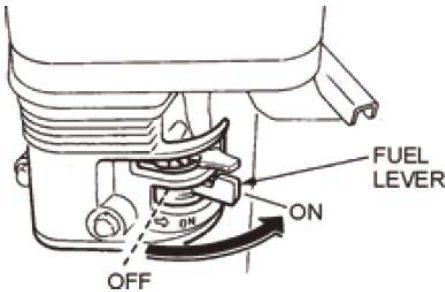


FIG.6

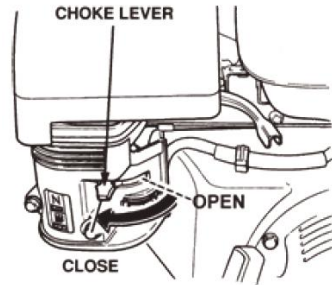


FIG.7

9.4 Place the choke lever (FIG. 8) in the "OPEN" position if starting a warm engine or the temperature is warm.

9.5 Place the engine ON/OFF switch (FIG. 9) in the "ON" position.

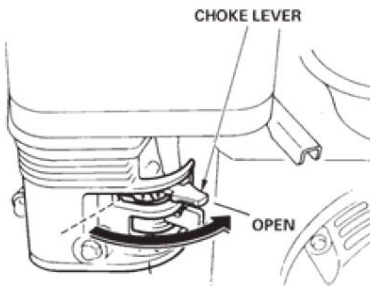


FIG.8

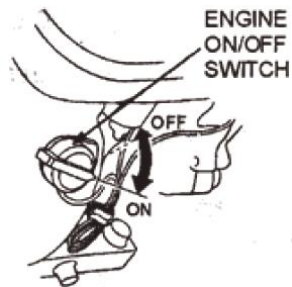


FIG.9

9.6 Grasp the starter grip (FIG. 10) and slowly pull it out. The resistance becomes the hardest at a certain position, corresponding to the

compression point. Pull the starter grip briskly and smoothly for starting.

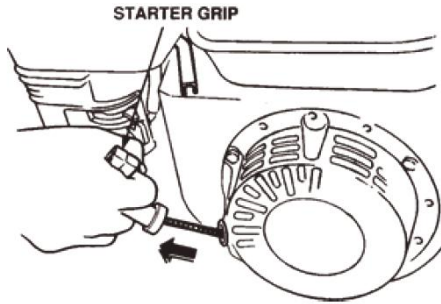


FIG.10

9.7 If the engine has started, slowly return the choke lever (FIG. 7) to the OPEN position. If the engine has not started repeat steps 1 through 6.

9.8 Before the trowel is placed into operation, run the engine for several minutes. Check for fuel leaks, and noises that would associate with a loose V-belt cover or component.

9.9 To begin troweling, move the throttle lever (FIG. 11) toward the "FAST" position.

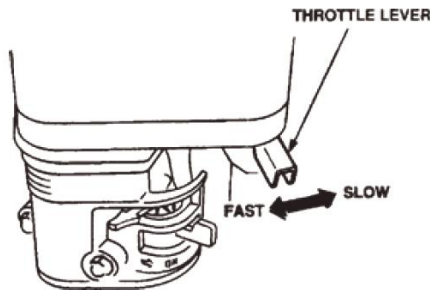


FIG.11

## 10. STOPPING THE ENGINE

10.1 Move the throttle lever to the IDLE or SLOW position (FIG. 11) and run the engine for three minutes at low speed.

10.2 After the engine cools, turn the engine start/stop switch to the "OFF" position (FIG. 12).

10.3 Close the fuel shut- off valve (FIG. 13) by moving the fuel valve lever to the OFF position.

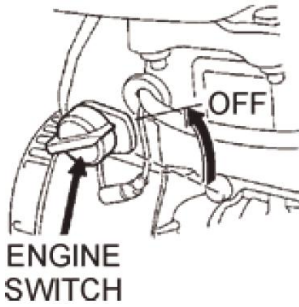


FIG.12

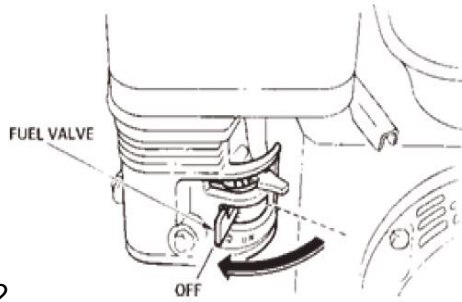


FIG.13

## 11. OPERATION

The following steps are intended as a basic guide to machine operation, and are not to be considered a complete guide to concrete finishing. Read the “Training” section of this manual for more information.

### 11.1 Maneuvering the Trowel

11.1.1 Get into the operator’s position behind the handle. With a secure foothold and a firm grasp on the handles slowly increase the engine speed until the desired blade speed is obtained.

11.1.2 To maneuver the trowel, gently lift up on or press down on the main trowel handle.

To move the machine to the operator’s left, lift up on the handle, to move the machine to the right, push down on the handle.

11.1.3 Adjust the blade pitch on the Standard handle, by turn the Pitch Adjust Wheel clockwise or counter- clockwise.

- **To move the trowel to the operator's left, Lift up on the handle, to move the trowel to the right push down on the handle.**
- **Remember! that if you let goof the trowel, just step away and let the trowel come to a complete STOP before trying to recover the trowel.**
- **The best method for finishing concrete is to slowly walk backwards with the trowel, guiding the trowel from side to side. This will cover all footprints on wet concrete.**

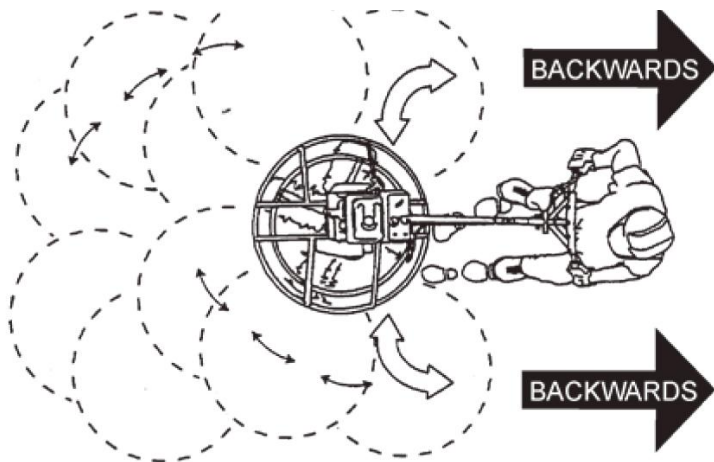


FIG.14



## WARNING

**NEVER** place your feet or hands inside the guard rings while starting or operating this equipment.

**ALWAYS** keep clear of rotating or moving parts while operating this equipment.

## 12. ACCESSORY OPTIONS

### 12.1 Blades

#### NOTE

Blades should be changed when they fail to finish concrete in a satisfactory manner.

Blades are a vital part of finishing concrete. This Trowel has been designed to finish concrete and is built to stringent quality standards out of the finest trowel steel. If you need replacement blades, consult your parts list in this manual for part numbers.

### 12.2 Combo Blades

This trowel was equipped with combination FLOAT/FINISH (FIG. 15) blades as original equipment. These blades have been designed for optimum performance in both the floating and finishing operations. These

blades are versatile and should take care of most troweling needs.

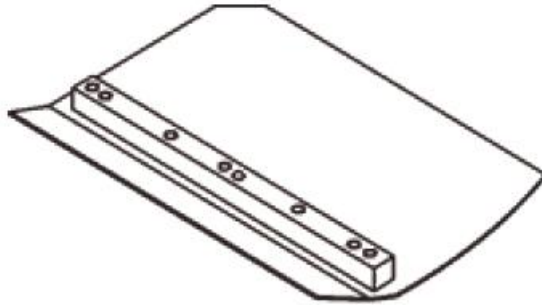


FIG.15

### 12.3 Finish Blades (Optional)

These blades have been specifically designed for finish operations with this trowel. They will provide a premium surface finishing capability from your trowel. They should only be used after the concrete has set to the point where the trowel does not sink into the concrete when placed on it.

### 12.4 Clip-On Float Blades (Optional)

These blades will clip (FIG.16) on to an existing installed blade, allowing your finisher to float on “wet” concrete so that the troweling operation can begin as early as possible. They are easily removable, so that after the floating operation, when the concrete is sufficiently cured, they can be removed to expose the finish blades for continued troweling.

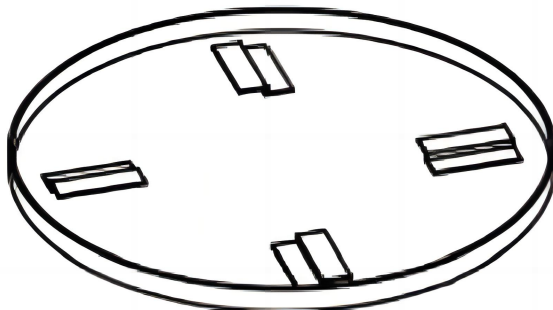


FIG.16

### 12.5 Float Discs (Optional)

These round discs attach to the spiders and allow the machine to “float” on “wet” concrete. The disc design allows early floating and easy movement

from wet to dry areas. They are also very effective in embedding large aggregates and surface hardeners.

## **13. MAINTENANCE**

### **13.1 Maintenance Schedule**

#### **Daily (8-10 Hours)**

1. Check the oil level in the engine crankcase and gear box, fill as necessary.
2. Check V-belt.

#### **Weekly (50-60 Hours)**

1. Relube arms, thrust collar and clutch
2. Replace blades if necessary.
3. Check and clean or replace the engine air filter as necessary.
4. Replace engine oil and filter as necessary, see engine manual.

#### **Monthly (200-300 Hours)**

1. Remove, clean, reinstall and relube the arms and thrust collar. Adjust the blade arms.

#### **Yearly (2000-2500 Hours)**

1. Check and replace if necessary the arm bushings, thrust collar bushings and shaft seals.
2. Check pitch control cables for wear.
3. Adjust blade speed.

### **13.2 Trowel Arm Adjustment**

Use the following procedure to check and adjust trowel arms, and check for worn or damaged components when it becomes apparent that the trowel is finishing poorly or in need of routine maintenance. Look for the following indications. Trowel arm alignment, worn spider bushings or bent trowel arms may be the cause.

- Are blades wearing unevenly? Is one blade completely worn out while the others look new?
- Does the machine have a perceptible rolling or bouncing motion when in

use?

- Look at the machine while it is running; do the guard rings “rock up and down” relative to the ground?

### 13.2.1 Place the trowel in a **FLAT, LEVEL** area.

A level, clean area to test the trowel prior to and after is essential. Any unlevel spots in the floor or debris under the trowel blades will give an incorrect perception of adjustment. Ideally, a 5 x 5 Ft. (1.5 x 1.5 Meter) three-quarter inch (19 mm) thick **FLAT** steel plate should be used for testing.

13.2.2 Pitch the blades as flat as possible. The adjustment bolts should all barely make contact with the lower wear plate on the spiderbox. If one is not making contact, adjustment will be necessary. (FIG.17,FIG.4).

### 13.2 Trowel Arm Adjustment Continued

FIG.17 illustrates, "incorrect alignment", worn spider bushings or bent trowel arms. Check that the adjustment bolt is barely touching (0.10" max. clearance) lower wear plate. All alignment bolts should be spaced the same distance from the lower wear plate.

1 Adjustment Bolt

2 Lower Wear Plate

3 Surface

4 "Dished" Effect on Finished Concrete

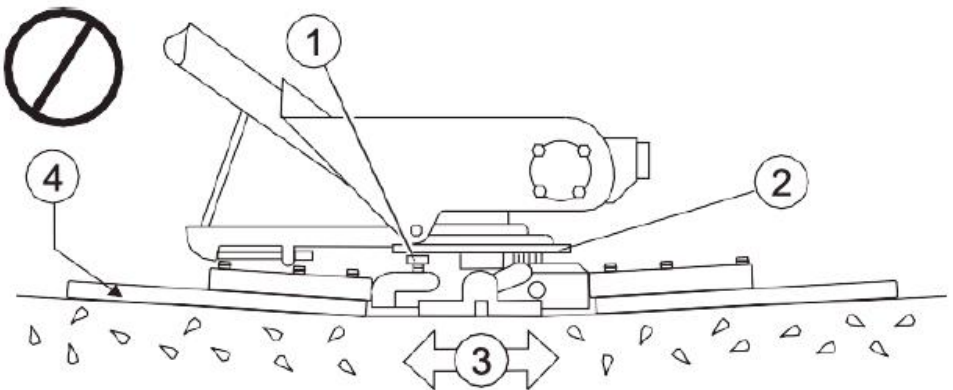


FIG.17

### 13.3 Trowel Blade Removal

13.3.1 Remove the trowel blades from the trowel arm by removing the two hex head bolts from the trowel arm. Set blades aside.

13.3.2 Wire brush any build-up of concrete from all six sides of the trowel arm. Repeat this for the remaining three arms.

### 13.4 Re-Assembly

13.4.1 Clean and examine the upper/lower wear plates and thrust the collar.

13.4.2 Examine the entire spider assembly. Wire brush any concrete or rust build-up. If any spider components are found to be damaged or misshaped, replace it.

13.4.3 Reinstall bronze bushing on the trowel arms.

13.4.4 Repeat above steps for each trowel arm.

13.4.5 Make sure that the spring tensioner is in the correct position to exert tension on the trowel arm.

13.4.6 With the bronze bushing already installed, insert all the trowel arms with levers into the spider plate.

13.4.7 Use care to align the grease hole on the bronze bushing with the grease hole fitting on the spider plate.

13.4.8 Lock the trowel arms in place by tightening the hex head bolt with zerk grease fitting and jam nut.

13.4.9 Re-install the blades onto the trowel arms.

13.4.10 Install the stabilizer ring onto the spider assembly.



### WARNING

Disconnect the spark plug wire from the spark plug and secure away from the engine before performing maintenance or adjustments on the machine.

- ① Blade
- ② Blade Arm
- ③ Hex Head Bolt
- ④ Lock Washer
- ⑤ Remove from Arm

### 13.5 Changing

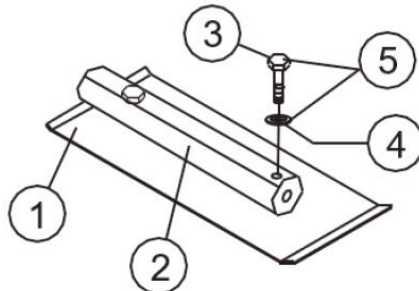


FIG.18

## Only

We recommend that all of the blades are changed at the same time. The trowel may wobble or bounce if not.

13.5.1 Place the machine on a flat, level surface. Adjust the blade pitch control to make the blades as flat as possible.

### NOTE

Pay attention to the blade orientation on the trowel arm.

13.5.2 Remove the two bolts and lock the washers that secure the blade to the trowel arm.

13.5.3 Remove the blade.

13.5.4 Using a wire brush, scrape all concrete particles and foreign debris from the trowel arm.

13.5.5 Install the new trowel blade onto the trowel arm. Make sure the blade is installed correctly, maintaining the proper orientation for direction of rotation.

13.5.6 Reinstall the two bolts and lock washers that secure the blade to the trowel arm. Tighten the bolts securely.

13.5.7 Repeat steps for all remaining blades.

13.6 Installing Pans onto Finisher Blades



### WARNING

**Lifting/Crush Hazard.**

**Do NOT lift the trowel with the pans attached.**

**ALWAYS install the pans on the work area or an area that is next to/level with the work area.**

**DO NOT lift the trowel when the pans are attached.**

13.6.1 Lift the trowel just enough to slide the pan under the blades. With the blades adjacent to the Z-clips, lower the finisher onto the pan.

13.6.2 Rotate the blades into position under the Z-clips. Ensure that the blades are rotated in the direction of travel when the machine is in operation. Or, use the engine to rotate the blades into position.

13.6.3 Attach the blade tie-downs to the far side of the Z-clip brackets with tie-down knobs.

13.6.4 Before the machine is put back into operation, check to make sure that the blade edges are secured under the Z-clips.

13.6.5 Before the machine is put back into operation, check to make sure that the tie-downs are secured firmly over the edges of the blade.

### 13.7 Spider Box Removal

13.7.1 Once it is determined that an adjustment is required, remove the spider assembly from the gearbox shaft as follows:

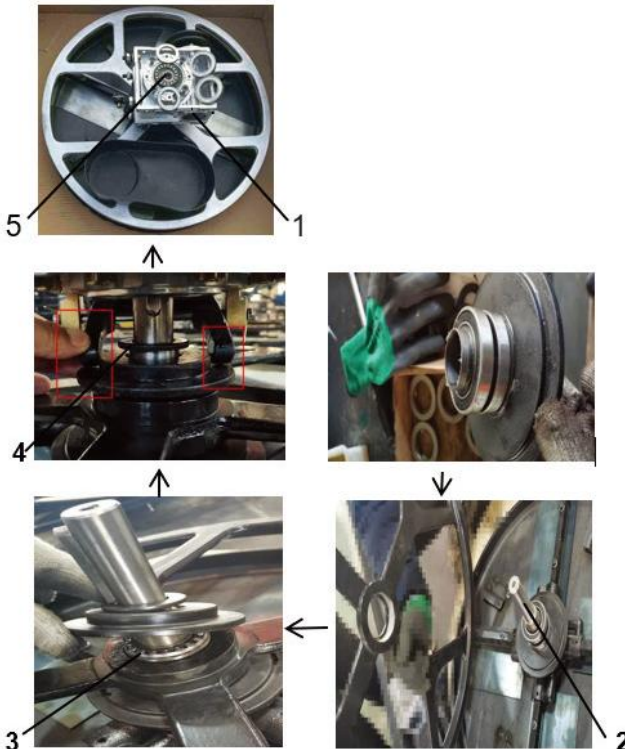
13.7.2 Remove the zerk fitting and allen head screw designated by the letter “S”.

13.7.3 On the opposite side of the spider block, there is another zerk fitting and allen head screw. Remove both of these components.

13.7.4 Lift the upper trowel assembly off of the spider assembly.

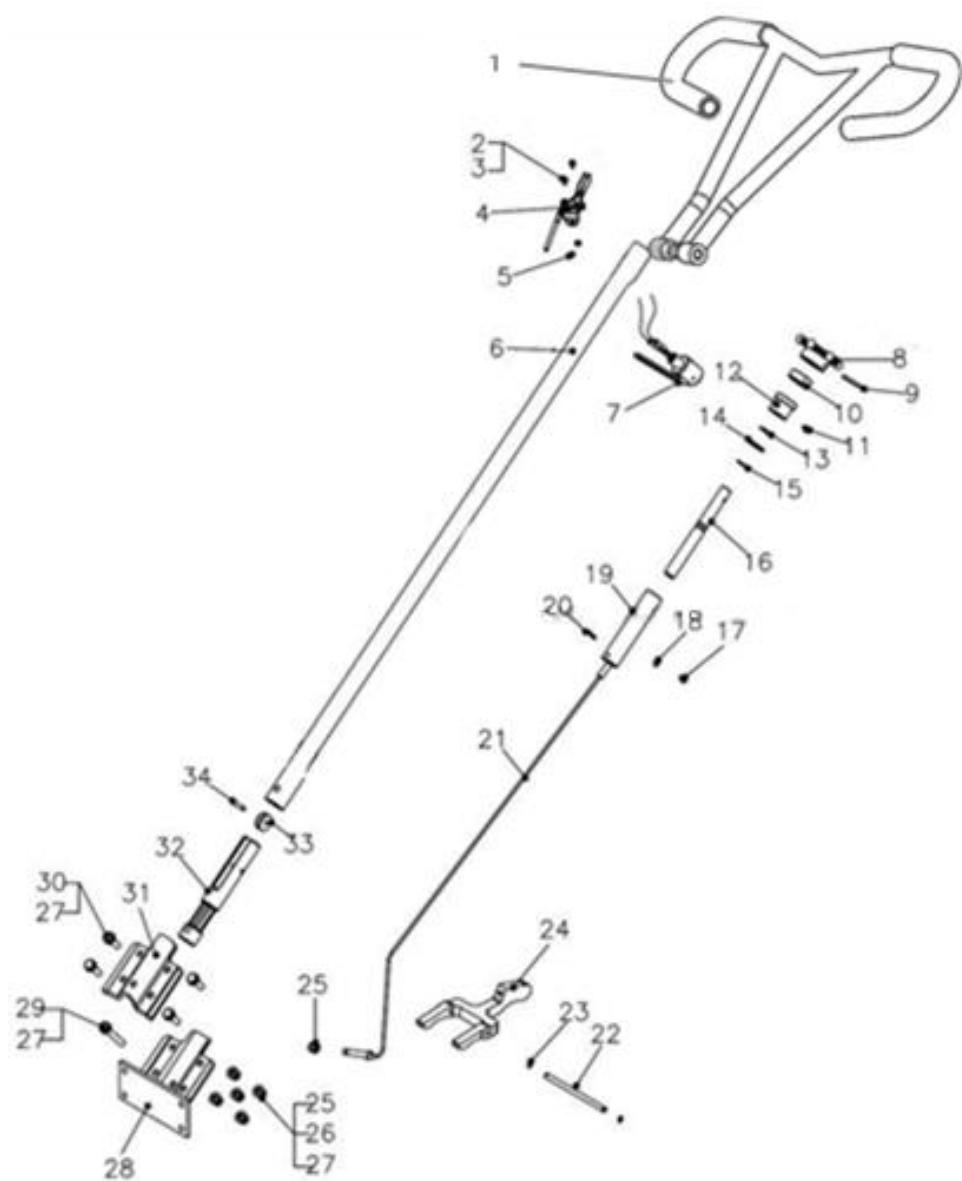
#### NOTE

A slight tap with a rubber mallet may be necessary to dislodge the spider from the main shaft of the gearbox.



# 14 Parts List

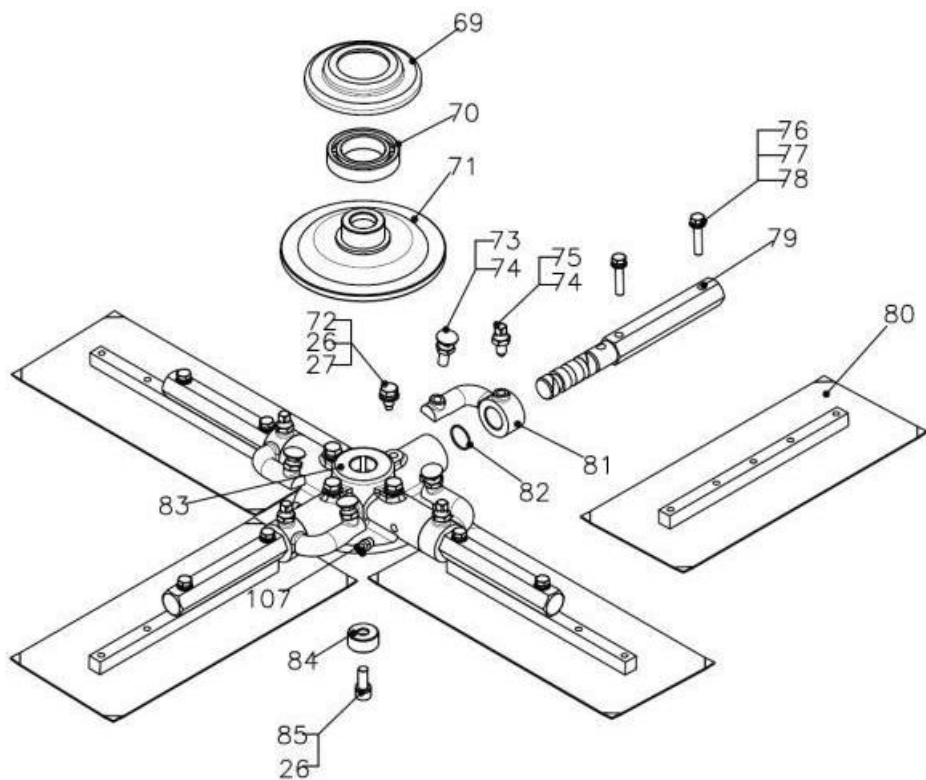
## Handle



REF	Parts No.	Description	Q'TY	Dimension
1	RG-003	Plastic Cover	2	
2	QSC-M4*8	Screw	2	M4x8
3	QWS-PM4	Plate Washer	2	M4
4	TSA-01	Throttle Assy.	1	
5	QNT-NM4	Nylock Nut	2	M4
6	W436F-001	Handle WA	1	
7	PAS-02	Stop Switch(release bar Type)	1	
8	436F-01-001	Adjust Knob	1	
9	QSP-5X50	Spring Pin	1	5x50
10	QBR-51104	Bearing	1	
11	QBL-M6X10	Bolt	1	M6x10
12	436F-01-004	Aluminium Guide	1	
13	QWS-WM19	Wave Washer	1	M19
14	QWS-PM19	Plate Washer	1	M19
15	QSR-S18	Snap Ring	1	S18
16	436F-01-002	Adjust Screw Pipe	1	
17	QBL-M6X8	Bolt	1	M6X8
18	QWS-PM6	Spring Washer	1	M6
19	436F-01-003	Screw Guide	1	
20	QSP-5X30	Spring Pin	1	5X30
21	436F-01-007 WT	Steel Wire	1	
22	436F-02-004	Yoke Arm Pin	1	
23	QSR-S10	Snap Ring	2	S10
24	436F-02-003 B	Yoke Arm	1	
25	QNT-NM10	Nylock Nut	10	M10
26	QWS-SM10	Spring Washer	14	M10
27	QWS-PM10	Plate Washer	18	M10
28	436F-02-001	Handle Support Base	1	

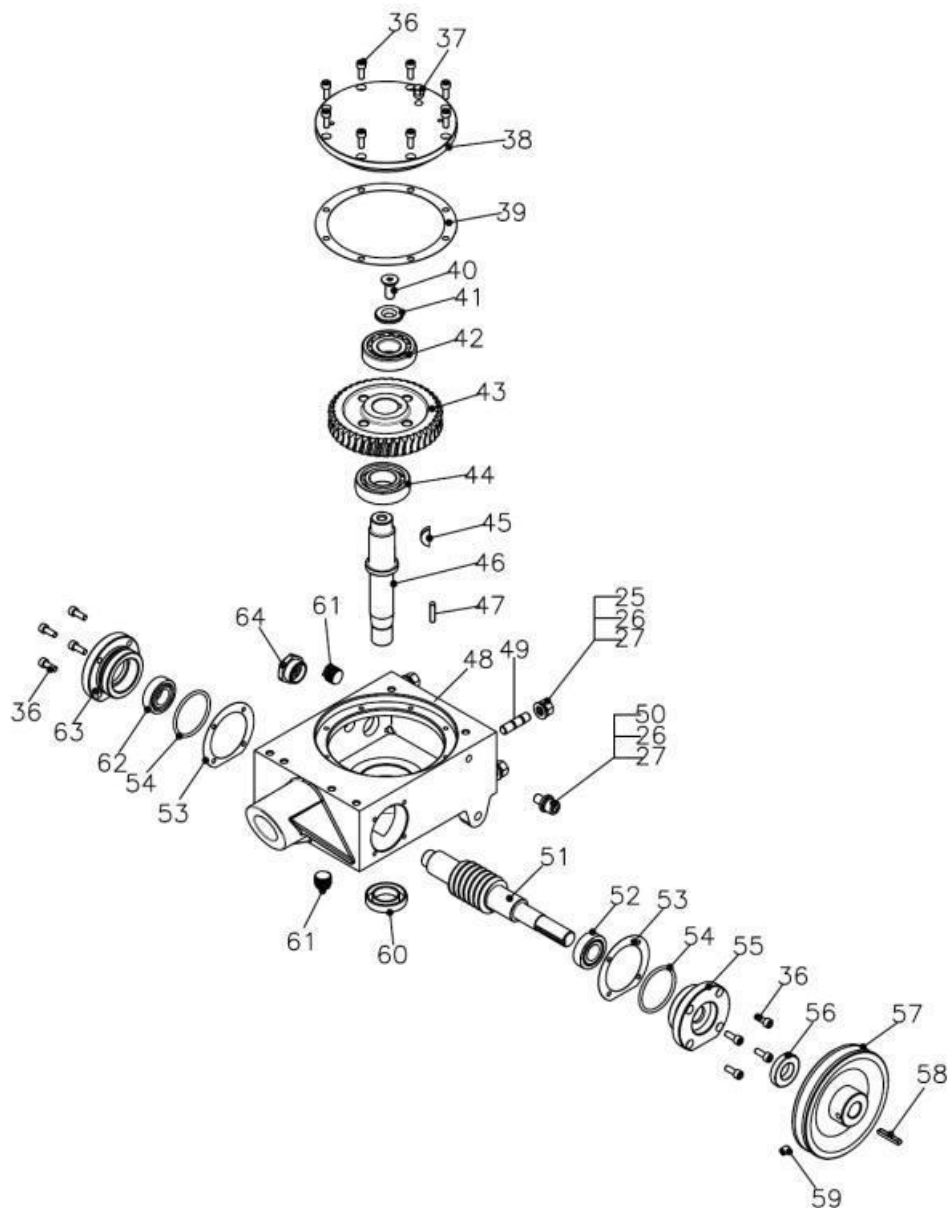
29	QBL-M10X70	Bolt	1	M10X70
30	QBL-M10X35	Bolt	4	M10X35
31	436F-02-002	Upper Bracket	1	
32	436F-01-005	Alumium yoke	1	
33	436A-01-010	Wheel	1	
34	QSP-3X30	Spring Pin	1	3X30

## Blade



<b>REF</b>	<b>Parts No.</b>	<b>Description</b>	<b>Q'TY</b>	<b>Dimension</b>
26	QWS-SM10	Spring Washer	5	M10
27	QWS-PM10	Plate Washer	4	M10
69	436F-02-005B	Press Plate Cap	1	
70	QBR-6009	Bearing	1	6009
71	436F-02-006B	Press Plate Cap	1	
72	QBL-M10X20	Bolt	4	M10X20
73	QBL-BBM10X35	Round Head Bolt	4	M10X35
74	QNT-TM10	Thin Nut	8	M10
75	QBL-SHM10X30	Square Head Bolt	4	
76	QBL-7/16X11/2	Bolt	8	7/16*3/2L
77	QWS-SM8	Spring Washer	8	M8
78	QWS-PM8	Plate Washer	8	M8
79	436F-02-009B	Blade Arm	4	
80	436F-02-014	Blade Assembly	4	
81	436F-02-008	Tilt Arm	4	
82	QOR-S22	O-ring	4	22x1.5t
83	436F-02-007B	Spider	1	
84	436F-02-010	Spider Bushing	1	
85	QBL-LM10X30	Socket Bolt	1	M10x30

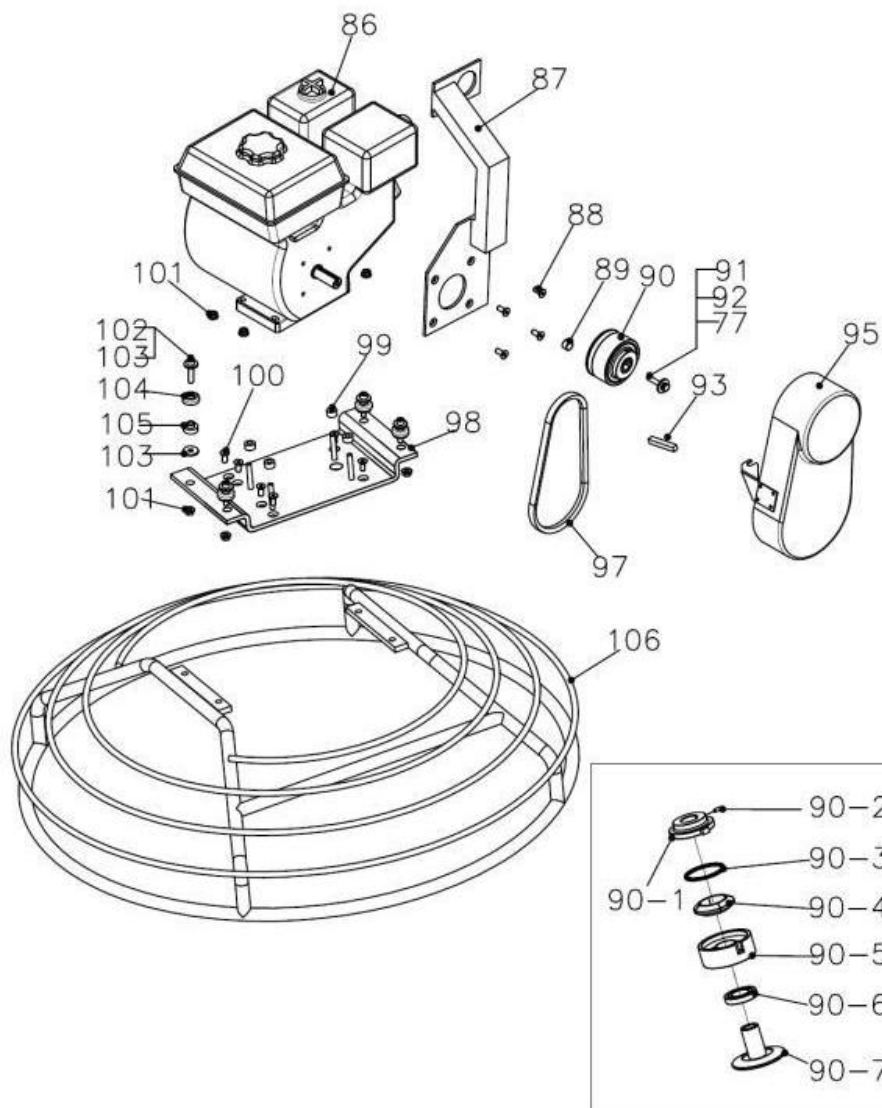
# Gear Box



REF	Parts No.	Description	Q'TY	Dimension
	436F-03	Gear Box Assembly	1	
25	QNT-NM10	Nylock Nut	4	M10
26	QWS-SM10	Spring Washer	5	M10
27	QWS-PM10	Plate Washer	5	M10
36	QBL-M6X16	Bolt	16	M6X16L
37	QRV-M8	Release Valve	1	
38	436F-03-004	Big Cover	1	
39	436F-03-005	Gasket of Big Cover	1	
40	QBL-FHM10x25	Flat Socket Head Bolt	1	M10x25
41	QWS-SSM10	Washer	1	M10
42	QBR-30305	Bearing	1	30305
43	436F-03-008	Worm Gear	1	
44	QBR-6206	Bearing	1	6206
45	QKY-W6X10X25	Wood Key	1	6X10X25
46	436F-02-012	Main Shaft	1	
47	QKY-6X25	Key	1	6X25
48	436F-03-001	Shell	1	
49	QBL-STM10x40	Stud Bolt	4	M10x40
50	QBL-M10X16	Bolt	1	M10X16
51	436F-03-007	Worm Shaft	1	
52	QBR-32004	Bearing	1	32004
53	436F-03-006	Gasket of Side Cover	2	
54	QOR-P55	O-Ring	2	55x3.5t
55	436F-03-003	Output Side Cover	1	
56	QOS-20X40X8	Oil Seal	1	
57	436F-04-005	Pulley	1	
58	QKY-5X35	Key	1	5X35
59	QBL-M8X10	Bolt	1	M8X10
60	QOS-27X47X10	Oil Seal	1	27X47X10
61	436A-03-008WT	Oil Drain	2	
62	QBR-6004	Bearing	1	6004

63	436F-03-002	Side Cover	1	
64	QOCW-M27x1.5	Oil Check Windows	1	M27x1.5

## Safety Ring



REF	Parts No.	Description	Q'TY	Dimension
77	QWS-SM8	Spring Washer		M8
86	GX160	Engine GX-160	1	
87	W436F-005	Hook Lift	1	
88	QBL-SHM8X20	Socket Head Cap Bolt	4	
89	436F-04-013	Clutch Busing	1	
90	CA-01	Clutch	1	
90-1	CA-01-004	Face Plate	1	
90-2	QBL-AM8x16	Set Screw	2	M8x16
90-3	CA-01-005	Clutch Spring	1	
90-4	CA-01-003	Shoe Weight	1	
90-5	CA-01-002	Clutch Drum	1	
90-6	QBR-6006	Bearing	1	6006
90-7	CA-01-001	Clutch Shaft	1	
91	QBL-M8X35	Bolt	1	M8X35
92	QWS-SPM8	Special Plate Washer	1	M8
93	QKY-5x5x50	Key	1	5x5x50
95	436F-04-006	Belt Cover	1	
97	QBT-A26	V-Belt	1	A26
98	W436F-002	Engine Mount Plate	1	
99	436F-04-107	Engine Mount Bushing	4	
100	QBL-FHM8X20	Flat Head Cap Bolt	4	M8X20
101	QNT-M8	Nut	8	M8
102	QBL-LM8X40	Socket Head Bolt	4	M8X40
103	QWS-PM8		8	M8
104	436F-04-004	Cup	4	
105	436F-04-003	Rubber	4	
106	W436F-004B	Safety Ring	1	



**VEVOR**<sup>®</sup>

**TOUGH TOOLS, HALF PRICE**

**Technical Support and E-Warranty Certificate**

**[www.vevor.com/support](http://www.vevor.com/support)**

# VEVOR<sup>®</sup>

## TOUGH TOOLS, HALF PRICE

Assistance technique et certificat de garantie électronique [www.vevor.com/support](http://www.vevor.com/support)

### TRUELLE ÉLECTRIQUE

MODÈLE: HMR950, HMR1200

Nous continuons à nous engager à vous fournir des outils à des prix compétitifs.

"Économisez la moitié", "Moitié prix" ou toute autre expression similaire que nous utilisons ne représente qu'une estimation des économies dont vous pourriez bénéficier en achetant certains outils chez nous par rapport aux grandes marques et ne signifie pas nécessairement couvrir toutes les catégories d'outils proposés par nous. Nous vous rappelons de vérifier attentivement lorsque vous passez une commande chez nous si vous économisez réellement la moitié par rapport aux grandes marques.

**VEVOR**<sup>®</sup>  
TOUGH TOOLS, HALF PRICE

TRUELLE ÉLECTRIQUE

MODÈLE: HMR950, HMR1200



<Image uniquement pour référence>

**BESOIN D'AIDE? CONTACTEZ-NOUS!**

Vous avez des questions sur les produits ? Besoin d'une assistance technique ? N'hésitez pas à nous contacter :

Support technique et certificat de garantie électronique  
[www.vevor.com/support](http://www.vevor.com/support)

Il s'agit des instructions originales, veuillez lire attentivement toutes les instructions du manuel avant de l'utiliser. VEVOR se réserve une interprétation claire de notre manuel d'utilisation. L'apparence du produit dépend du produit que vous avez reçu. Veuillez nous pardonner que nous ne vous informerons plus s'il y a des mises à jour technologiques ou logicielles sur notre produit.

# GARANTIES IMPORTANTES



**AVERTISSEMENT** : Lisez et comprenez l'intégralité de ce manuel avant d'utiliser ou d'entretenir ce produit. Le non-respect de ces avertissements et instructions peut entraîner des blessures corporelles ou des dommages à des biens de valeur.

## 1. Informations de sécurité

### 1.1 Lois relatives aux pare-étincelles Avis : Les

codes de sécurité sanitaire des États et les codes des ressources publiques précisent que, dans certains endroits, des pare-étincelles doivent être utilisés sur les moteurs à combustion interne utilisant des carburants à base d'hydrocarbures. Un pare-étincelles est un dispositif conçu pour empêcher la décharge accidentelle d'étincelles ou de flammes provenant de l'échappement du moteur. Les pare-étincelles sont qualifiés et évalués à cet effet par le Service forestier des États-Unis.

Afin de vous conformer aux lois locales concernant les pare-étincelles, consultez le distributeur du moteur ou l'administrateur local de santé et de sécurité.

### 1.2 Sécurité de fonctionnement



#### AVERTISSEMENT

Une connaissance et une formation appropriée sont nécessaires pour utiliser l'équipement en toute sécurité ! Un équipement utilisé de manière inappropriée ou par du personnel non formé peut être dangereux ! Lisez les instructions d'utilisation contenues dans ce manuel et dans le manuel du moteur et familiarisez-vous avec l'emplacement et l'utilisation appropriée de toutes les commandes. Les opérateurs inexpérimentés doivent recevoir des instructions d'une personne familiarisée avec l'équipement avant d'être autorisés à utiliser la machine. • NE

JAMAIS permettre à quiconque d'utiliser cet équipement sans formation appropriée. Les personnes utilisant cet équipement doivent être familiarisées avec les risques et dangers qui y sont associés.

• NE JAMAIS toucher le moteur ou le silencieux lorsque le moteur est en marche ou immédiatement après son arrêt. Ces zones deviennent chaudes et peuvent provoquer des brûlures. • N'utilisez JAMAIS d'accessoires ou d'accessoires non recommandés par

Puissance Tomahawk. Des dommages à l'équipement et des blessures à l'utilisateur pourraient en résulter. • NE JAMAIS laisser la machine fonctionner sans surveillance. • Assurez-vous TOUJOURS que l'opérateur connaît les précautions de sécurité appropriées et techniques de fonctionnement avant d'utiliser la machine. • Portez TOUJOURS des lunettes de sécurité ou des lunettes de sécurité approuvées ANSI Z87.1. avec des écrans latéraux ou, si nécessaire, un écran facial. Utilisez un masque anti-poussière en cas de poussière conditions de travail. Utilisez également des chaussures de sécurité antidérapantes, un casque, des gants et des gants anti-poussière. systèmes de collecte et protection auditive, le cas échéant. Ça s'applique à toutes les personnes présentes dans la zone de travail. • TOUJOURS fermer le robinet de carburant sur les moteurs qui en sont équipés lorsque la machine est en marche. n'est pas exploité. • TOUJOURS ranger l'équipement correctement lorsqu'il n'est pas utilisé. Équipement doit être stocké dans un endroit propre et sec, hors de portée des enfants. • TOUJOURS faire fonctionner la machine avec tous les dispositifs de sécurité et protections en place. et en état de marche. NE PAS modifier ou retirer les dispositifs de sécurité. NE PAS faire fonctionner la machine si des dispositifs de sécurité ou des protections sont manquants ou inopérants. • TOUJOURS lire, comprendre et suivre les procédures du manuel de l'opérateur. avant d'essayer d'utiliser l'équipement.

### 1.3 Sécurité lors de l'utilisation des moteurs à combustion



#### DANGER

Les moteurs à combustion interne présentent des risques particuliers pendant leur fonctionnement et faire le plein ! Lisez et suivez les instructions d'avertissement dans le manuel du propriétaire du moteur. manuel et consignes de sécurité ci-dessous. Le non-respect des avertissements et DANGER les consignes de sécurité pourraient entraîner de graves blessure ou décès. • NE PAS faire fonctionner la machine à l'intérieur ou dans un endroit clos tel qu'un endroit profond. tranchées à moins qu'il n'y ait une ventilation adéquate, à travers des éléments tels que des ventilateurs ou des tuyaux d'extraction sont fournis. Échappement d'essence du le moteur contient du monoxyde de carbone toxique ; exposition à le monoxyde de carbone peut provoquer une perte de conscience et entraîner

la mort. •

NE PAS fumer pendant que vous utilisez la machine. • NE PAS fumer

lorsque vous faites le plein du moteur. • NE PAS faire le plein de

carburant avec un moteur chaud ou en marche. • NE PAS faire

le plein du moteur à proximité d'une flamme nue. • NE PAS

renverser de carburant lorsque vous faites le plein du moteur. • NE

PAS faire tourner le moteur à proximité de flammes nues. •

TOUJOURS remplir le réservoir de carburant dans un endroit bien ventilé. •

TOUJOURS remettre le bouchon du réservoir de carburant après avoir fait le

plein. • Vérifiez TOUJOURS les conduites de carburant et le réservoir de carburant pour déceler des fuites et des fissures av

démarrage du moteur. •

NE PAS faire fonctionner la machine s'il y a des fuites de carburant ou si les conduites de carburant sont desserrées.

#### 1.4 Sécurité des services



#### AVERTISSEMENT

Un équipement mal entretenu peut devenir un danger pour la sécurité ! Pour que le

l'équipement pour fonctionner correctement et en toute sécurité sur une longue période de temps, périodiquement

un entretien et des réparations occasionnelles sont nécessaires. • N'essayez

PAS de nettoyer ou d'entretenir la machine pendant qu'elle est en marche.

Les pièces en rotation peuvent provoquer des blessures graves.

• NE PAS lancer un moteur noyé avec la bougie d'allumage retirée.

moteurs à essence. Le carburant emprisonné dans le cylindre va jaillir

l'ouverture de la bougie d'allumage. •

NE PAS tester la présence d'étincelles sur les moteurs à essence, si le moteur est

inondé ou une odeur d'essence est présente. Une étincelle parasite pourrait s'enflammer des

fumées. • NE PAS utiliser d'essence ou d'autres types de carburants ou de solvants inflammables.

pour nettoyer les pièces, notamment dans les espaces clos. Les vapeurs des carburants et

les solvants peuvent devenir explosifs. • TOUJOURS

garder la zone autour du silencieux exempte de débris tels que feuilles, papier, cartons, etc. Un silencieux chaud pourrait les enflammer et déclencher un incendie.

- TOUJOURS remplacer les composants usés ou endommagés par des pièces de rechange conçu et recommandé par Tomahawk Power.
- TOUJOURS débrancher la bougie d'allumage sur les machines équipées moteurs à essence, avant l'entretien, pour éviter tout démarrage accidentel.
- TOUJOURS garder la machine propre et les étiquettes lisibles. Remplacer tous les manquants et des étiquettes difficiles à lire. Les étiquettes fournissent un fonctionnement important instructions et avertir des dangers et des dangers.
- Vérifiez TOUJOURS les pièces endommagées avant chaque utilisation. Vérifiez soigneusement que la truelle fonctionnera correctement et remplira la fonction prévue. Remplacez immédiatement les pièces endommagées ou usées. N'utilisez jamais le truelle avec une partie endommagée.
- TOUJOURS inspecter la chape avant de la placer au stockage et avant réutilisation. Rangez la truelle dans un endroit sec et sécurisé, hors de portée des enfants lorsqu'ils ne sont pas utilisés.
- Utilisez TOUJOURS uniquement les accessoires recommandés par le fabricant pour une utilisation avec la truelle. Les accessoires pouvant être adapté à une truelle peut créer un risque de blessure lorsqu'il est utilisé avec le équipement de chape.
- TOUJOURS garder les lames propres lorsqu'elles ne sont pas utilisées et les protections en place et en état de marche.

## 2 Informations sur le produit

### 2.1 Utilisation prévue

Oubliez les tâches laborieuses de finition manuelle avec le Tomahawk Power Truelles! Densifiez facilement les sols en béton pour des résultats de finition idéaux sur des projets comprenant des allées, des sous-sols et des projets commerciaux/industriels emplois.

### 2.2 Familiarisation avec la truelle

Les truelles mécaniques de VEVOR sont conçues pour le flottage et la finition de dalles de béton. Analysez votre truelle et notez chaque composant : le moteur, pales, contrôle de pas rapide, filtre à air, interrupteur d'arrêt centrifuge, système d'embrayage et de poulie. Assurez-vous qu'il y a toujours de l'huile dans le moteur.

### 2.3 Sécurité

Avant d'utiliser votre truelle mécanique, lisez attentivement toutes les consignes de sécurité. Des instructions de sécurité sont disponibles tout au long de ce manuel et sur le équipement. Les informations de sécurité doivent rester en bon état et lisibles. Les opérateurs doivent être bien formés sur les opérations et la maintenance du truelle.

Avant de commencer, testez la truelle sur une section plate et diluée du bois fini. béton. Testez sur une section exempte de tout débris et autres objets.

L'essai d'essai augmentera la confiance des opérateurs, tout en aidant à se familiariser vous-même avec les commandes de la truelle. De plus, cela aidera les opérateurs comprendre comment fonctionne la truelle mécanique en conditions réelles.

## 2.4 Moteur

Les truelles mécaniques VEVOR sont alimentées par des moteurs Kohler. Se référer au manuel du propriétaire du moteur pour obtenir des instructions concernant le fonctionnement et entretien de votre moteur. Le manuel du moteur est inclus avec votre truelle.

## 2.5 Système d'entraînement

La puissance est transférée du moteur à l'arbre d'entrée de la boîte de vitesses via un

Entraînement par poulie à courroie trapézoïdale

système. La poulie s'enclenche à l'aide d'un embrayage centrifuge ou manuel. Reportez-vous à la section Pièces de ce manuel pour plus d'informations.

## 2.6 Boîte de vitesses

La boîte de vitesses est située sous le moteur et transfère la puissance au rotor ou un ensemble spiderbox. La boîte de vitesses contrôle la vitesse de rotation du truelle et est équipé de deux arbres (entrée et sortie).

## 2.7 Boîte d'araignée

L'arbre de sortie vertical de la boîte de vitesses se connecte à un moyeu moulé appelé le boîte d'araignée. La Spiderbox a 4 bras qui s'étendent vers l'extérieur et qui sont utilisés pour fixation de lames ou autres accessoires. N'oubliez pas : lorsque la boîte de vitesses L'arbre de sortie tourne, tout comme l'ensemble Spiderbox.

## 2.8 Lames

Les lames de la truelle servent à finir le béton lors de leur rotation autour de votre surface donnée. Cette truelle comprend 4 lames combinées par rotor. Ils sont également espacés selon un motif radial et attachés au

arbre rotatif vertical au moyen de l'ensemble araignée.

## 2.9 Embrayage centrifuge

En cas d'emballement de la truelle (l'opérateur relâche la poignée), l'embrayage centrifuge arrêtera le moteur et amènera la truelle à un arrêt complet.

## 2.10 Formation

Pour une formation appropriée, reportez-vous à la section « LISTE DE CONTRÔLE DE FORMATION » située à la fin de ce manuel. Cette liste de contrôle contient un

plan permettant à un opérateur expérimenté de fournir une formation à un nouvel opérateur.

## 3. Spécifications techniques

### Truelle

Modèle	HMR950	HMR1200
Moteur	CH260	CH440
Nombre de lames	4	4
Diamètre du disque	38 pouces	46 pouces
Angle de lame optimal réglage(°)	0-15	0-15

### Moteur

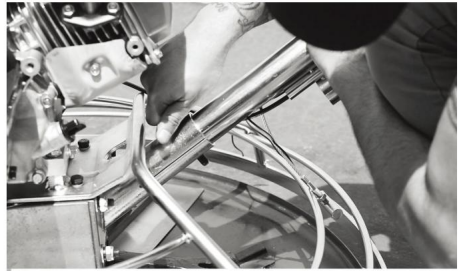
Modèle	CH440
Taper	4 temps, arbre à cames entendu, 1 cylindre
HP	14
Système de transmission	Vis sans fin et vis sans fin
Consommation de carburant (g/kWh)	374
Vitesse maximale (tr/min)	2800

## 4 Guide d'utilisation

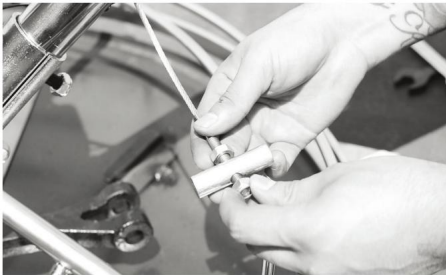
### 4.1 Configuration express



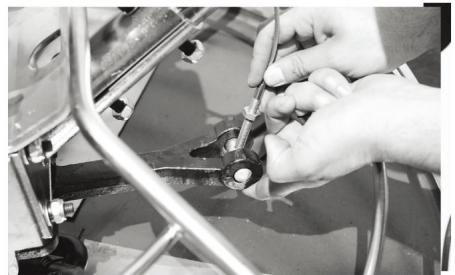
Étape 1 : insérez l'extrémité de la colonne du guidon dans la base du truelle.



Étape 2 : Insérez les boulons et les rondelles dans les trous du guidon – fixez-les avec un écrou.



Étape 3 : dévissez l'écrou de la goupille et insérez la goupille dans la base de la truelle.



Étape 4 : insérez la vis dans la goupille et fixez les écrous en haut et en bas pour la maintenir en place.

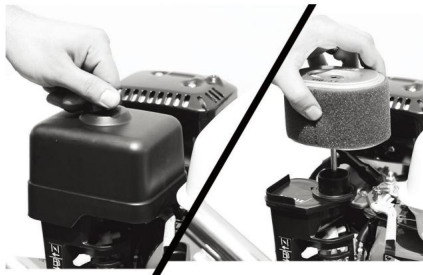


Étape 5 : placez le guidon autour de l'œil vers le haut de la colonne du guidon.

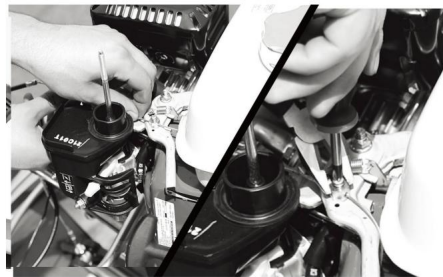


Étape 6 : Placez le boulon à travers la base des poignées, puis fixer avec un écrou à l'extrémité.

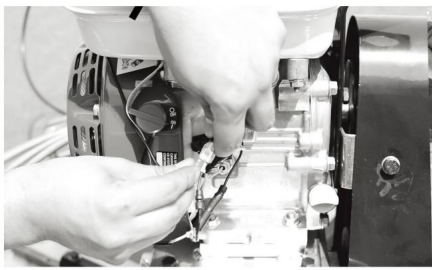
#### 4.2 Guide de démarrage rapide



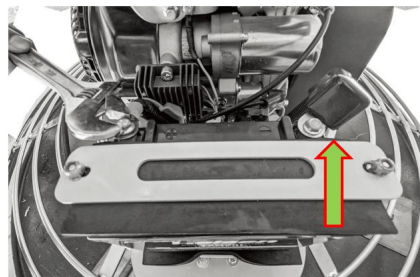
Étape : 7 Pour fixer le câble d'accélérateur, retirez le filtre à air et le couvercle.



Étape : 8 Faites passer le câble à travers le l'écrou de pivot et à travers le pivot arrêtez-vous, puis serrez la vis.



Étape : 9 Amenez le fil du coupe-circuit à l'avant du moteur et connectez c'est l'interrupteur d'arrêt.



Étape : 10 Fixez le positif (rouge) et fils moteur négatifs (noirs) à la batterie.

## 5. Commandes et composants

### 5.1 Poignée

Comprend une « roue en étoile » pour régler manuellement l'angle de la lame.



### 5.2 Poignée pliable à pas rapide

Utilise une poignée à levier pour régler rapidement le pas de la lame. La poignée se plie pour le rangement.



### 5.3 Interrupteur d'arrêt centrifuge

Dans le cas où l'opérateur perd le contrôle de la truelle, cet interrupteur arrêtera le moteur.



### 5.4 Levier de commande de l'accélérateur

L'accélérateur contrôle la vitesse du moteur. Déplacez le levier vers l'opérateur pour augmenter le régime moteur (haut), et loin de l'opérateur pour diminuer le régime moteur (bas).



## 5.5 Guidons de vélo

Le guidon plus large de la truelle permet une plus grande stabilité, un meilleur équilibre et Manœuvrabilité. Remplacez les poignées si elles sont usées ou endommagées.

## 5.6 Moteur

Les truelles VEVOR utilisent des moteurs Kohler et sont soutenues par un moteur de 3 ans. garantie pour un service fiable.

## 5.7 Contrôle du pas de pale

Ajustez les lames en acier de la truelle de 0 à 15 degrés pour obtenir un fini mat et léger. brillant ou finition brillante.

## 5.8 Anneau de garde

NE JAMAIS mettre les mains et les pieds à l'intérieur de l'anneau de protection.

## 5.9 Bras de truelle

Fournit des points de fixation pour les lames. Si les lames présentent une usure inégale motifs ou si les lames s'usent plus rapidement que les autres, le bras de la truelle peut avoir besoin être remplacé.

## 5.10 Lames

Cette truelle est équipée de 4 lames en acier trempé combinées conçues pour les opérations de flottement et de finition. Ces lames sont interchangeables avec la plupart des fabricants.

### 5.11 Couvercle de courroie trapézoïdale

Retirez ce couvercle pour accéder à la courroie trapézoïdale. NE JAMAIS utiliser la truelle avec ce couvercle retiré.

## 5.12 Poignée

Desserrez pour plier la poignée.

# 5.2 Composants supplémentaires

### 5.2.1 Anneau stabilisateur

L'anneau stabilisateur réduit les vibrations du bras de la truelle et le maintient équilibré.

### 5.2.2 Bac flottant

Conçu pour se clipser sur les lames combinées, le plateau flottant fonctionne pour se décomposer. points élevés, ramenant le mortier à la surface et produisant une couche uniforme et

dalle de niveau.

### 5.2.3 Tube de levage auxiliaire

Utilisez ce tube pour soulever la truelle sur une dalle. Le tube doit être inséré dans le prise située devant la boîte de vitesses. Disponible avec certaines unités.

## 6. MOTEUR

### 6.1 Entretien

Les truelles VEVOR sont propulsées par des moteurs Kohler. Le moteur doit être vérifié pour une lubrification adéquate et rempli de carburant avant l'utilisation. Référez au manuel du moteur du fabricant pour les instructions et les détails de fonctionnement et l'entretien. Si un problème survient ou si vous avez des questions concernant votre moteur, consultez un revendeur agréé Kohler.

## L'importance de l'entretien

Un bon entretien est essentiel pour un fonctionnement sûr, économique et sans problème opération. Cela contribuera également à réduire la pollution.



#### AVERTISSEMENT

- Un entretien inapproprié ou le fait de ne pas corriger un problème avant l'utilisation peut provoquer un dysfonctionnement pouvant entraîner des blessures graves, voire la mort.

Suivez toujours les recommandations d'inspection et d'entretien et horaires dans ce manuel du propriétaire.

Pour vous aider à bien prendre soin de votre moteur, les pages suivantes comprennent un calendrier de maintenance, procédures d'inspection de routine et simplicité procédures d'entretien à l'aide d'outils manuels de base. Autres tâches de service qui sont plus difficiles, ou nécessitent des outils spéciaux, sont mieux gérés par professionnels et sont normalement effectués par un technicien Kohler ou autre mécanicien qualifié.

Le programme d'entretien s'applique aux conditions normales de fonctionnement. Si tu faire fonctionner votre moteur dans des conditions difficiles, telles qu'une charge élevée et soutenue ou un fonctionnement à haute température, ou une utilisation dans des conditions inhabituellement humides ou poussiéreuses, consultez votre revendeur agréé pour obtenir des recommandations applicables à votre besoins et usages individuels.

Entretien, remplacement ou réparation des dispositifs de contrôle des émissions et les systèmes peuvent être réalisés par n'importe quel établissement de réparation de moteurs ou individuel, en utilisant des pièces « certifiées » selon les normes EPA.

## 6.2 Sécurité de l'entretien

Certaines des précautions de sécurité les plus importantes suivent. Cependant, nous ne pouvons pas vous avertir de tout danger imaginable pouvant survenir lors de l'exécution entretien. Vous seul pouvez décider si vous devez ou non effectuer une tâche donnée.



AVERTISSEMENT

Non-respect des instructions et précautions d'entretien peut vous blesser gravement, voire vous tuer. Suivez toujours les procédures et précautions dans ce manuel du propriétaire.



PRUDENCE:

N'essayez JAMAIS de soulever la truelle par vous-même.

TOUJOURS obtenir l'aide d'une autre personne pour vous aider à soulever la truelle.

## 6.2 Sécurité de la maintenance (suite)

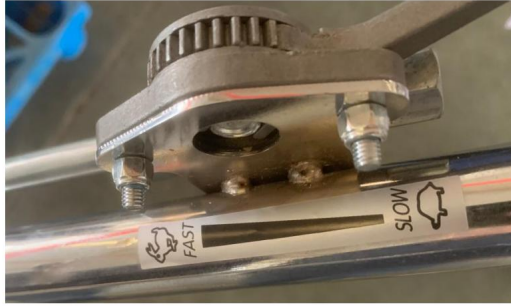
### 6.2.1 Bouchon de réservoir de carburant

Retirez ce bouchon pour ajouter de l'essence sans plomb dans le réservoir de carburant. Assurez-vous que le bouchon du réservoir de carburant est bien serré. Ne pas trop remplir.



### 6.2.2 Levier d'accélérateur

Le levier d'accélérateur est utilisé pour régler le régime moteur (levier avancé). avant LENT, levier vers l'opérateur RAPIDEMENT).



### 6.2.3 L'interrupteur marche/arrêt du moteur La

position ON permet le démarrage du moteur, la position OFF arrête le fonctionnement du moteur.



### 6.2.4 Démarreur à rappel (corde de traction)

Méthode de démarrage manuel. Tirez sur la poignée du démarreur jusqu'à ce qu'une résistance se fasse sentir, puis tirez rapidement et doucement.



### 6.2.5 Niveau du robinet de carburant

OUVRIR pour laisser couler le carburant, FERMER pour arrêter le flux de carburant.

### 6.2.6 Levier de starter

Utilisé lors du démarrage d'un moteur froid ou par temps froid, le starter enrichit le mélange de carburant.

### 6.2.7 Filtre à air

Le filtre à air empêche la saleté et autres débris de pénétrer dans le système de carburant.

Pour accéder à l'élément filtrant, retirez l'écrou à oreilles sur le dessus du filtre à air. boîte.

NOTE:

Ne faites pas fonctionner le moteur sans filtre à air, avec un circuit d'air endommagé. filtre ou un filtre à remplacer. Cela permettra à la saleté de pénétrer dans moteur et provoquer une usure rapide du moteur.

### 6.2.8 Bougie d'allumage

La bougie d'allumage fournit une étincelle au système d'allumage. Nettoyer l'étincelle branchez-le une fois par semaine. Réglez l'écartement des bougies d'allumage sur 0,6 à 0,7 mm (0,028 à 0,031 pouces).

### 6.2.9 Silencieux

Le silencieux est utilisé pour réduire le bruit et les émissions du moteur.



AVERTISSEMENT

Les composants du moteur peuvent générer une chaleur extrême. Pour éviter les brûlures, FAIRE NE touchez PAS ces zones pendant que le moteur tourne ou immédiatement après en fonctionnement.

NE JAMAIS faire fonctionner le moteur avec le silencieux retiré.

### 6.2.10 Réservoir de carburant

Le réservoir de carburant contient de l'essence sans plomb. Pour plus d'informations, reportez-vous au manuel du propriétaire du moteur.

## 7. PRÉ-INSPECTION

NE JAMAIS utiliser la truelle mécanique dans une zone confinée ou une structure fermée. cela ne permet pas une libre circulation de l'air.

Portez TOUJOURS des lunettes et une protection auditive approuvées avant faire fonctionner la truelle.

NE JAMAIS placer les mains ou les pieds à l'intérieur des anneaux de protection lorsque le moteur est en marche. en cours d'exécution.

TOUJOURS arrêter le moteur avant d'effectuer tout type de entretien à la truelle.

Il est recommandé d'utiliser le coupe-circuit de la truelle pour arrêter le moteur après chaque utilisation. Cela vérifiera que le commutateur fonctionne correctement et ne présente aucun danger pour l'opérateur.

## 7.1 Avant de commencer

7.1.1 Lisez les consignes de sécurité au début de ce manuel.

7.1.2 Nettoyer la truelle mécanique en enlevant la saleté et la poussière, particulièrement entrée d'air de refroidissement du moteur, carburateur et filtre à air.

7.1.3 Vérifiez le filtre à air pour déceler de la saleté et de la poussière. Si le filtre à air est sale, remplacez-le avec un nouveau si nécessaire.

7.1.4 Vérifiez le carburateur pour déceler toute saleté et poussière externes. Nettoyez-le à sec air comprimé.

7.1.5 Vérifier le serrage des écrous et des boulons de fixation.

## 7.2 Contrôle de l'huile moteur

7.2.1 Pour vérifier le niveau d'huile moteur, placez la truelle mécanique sur un terrain plat avec le moteur arrêté.

7.2.2 Retirez la jauge de remplissage de l'orifice de remplissage d'huile moteur (FIG. 2) et essuyez-le.

7.2.3 Insérer et retirer la jauge sans la visser dans le goulot de remplissage. Vérifiez le niveau d'huile indiqué sur la jauge.

7.2.4 Si le niveau d'huile est bas (FIG. 3), remplissez jusqu'au bord de l'orifice de remplissage d'huile avec celui recommandé avec l'huile 4 temps SAE10W-30. La capacité maximale d'huile est 400 cc.

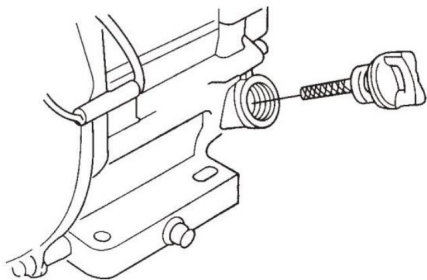


FIG.2

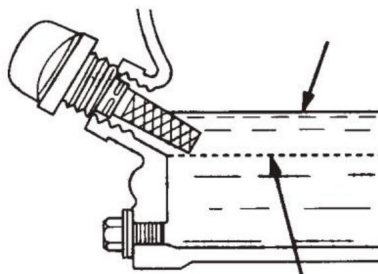


FIG.3

### 7.3 Contrôle du carburant

Les carburants moteur sont hautement inflammables et peuvent être dangereux s'ils sont mal manipulés.

NE PAS fumer pendant le ravitaillement. N'essayez PAS de ravitailler la truelle si le moteur est chaud ou tourne.

7.3.1 Retirez le bouchon d'essence situé au-dessus du réservoir de carburant.

7.3.2 Inspecter visuellement pour voir si le niveau de carburant est bas. Si le niveau de carburant est bas, faites le plein avec Essence à indice d'octane de 89.

7.3.3 Lors du ravitaillement, veillez à utiliser une crépine pour la filtration. NE PAS compléter le carburant. Essayez tout carburant déversé.

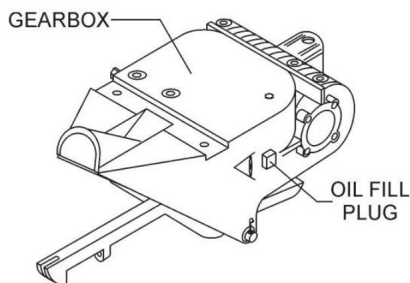


FIG.4

### 7.4 Huile de boîte de vitesses

7.4.1 Déterminez si le niveau d'huile de la boîte de vitesses est bas en retirant le bouchon d'huile situé sur le côté du

boîte de vitesses. Cette fiche sera marquée par l'autocollant "check". Voir la FIG. 4. Le

Le niveau correct d'huile de lubrification doit se trouver au bas du bouchon de remplissage.

7.4.2 Si l'huile de lubrification commence à s'écouler lors du retrait du bouchon de vidange, on peut alors supposer que la boîte de vitesses contient une quantité d'huile suffisante.

7.4.3 Si l'huile de lubrification ne s'écoule pas lors du retrait du bouchon de vidange, remplir avec de l'huile lubrifiante pour boîte de vitesses type ISO 680 jusqu'à ce que l'orifice de remplissage d'huile déborde.

### 7.5 Vérification de la courroie trapézoïdale

Une courroie trapézoïdale usée ou endommagée peut nuire aux performances de votre truelle mécanique. Si une courroie trapézoïdale est défectueuse ou usée, remplacez simplement la courroie trapézoïdale comme indiqué dans la section entretien de ce manuel.

## 7.6 Vérification de la lame

Avant de commencer, vérifiez les lames usées ou endommagées. Si une lame est usée alors que les autres semblent neuves, cela pourrait être dû à un problème de pas de pale. Reportez-vous à la section Entretien de ce manuel pour obtenir des instructions sur le procédé de réglage du pas de pale. Remplacez toutes les lames usées.

## 7.7 INTERRUPTEURS D'ARRÊT DE SÉCURITÉ

Cette truelle mécanique a été équipée d'un interrupteur d'arrêt de sécurité. Tuer en toute sécurité. Les interrupteurs doivent être testés à chaque démarrage du moteur.

### NOTE

JAMAIS! désactiver ou déconnecter le coupe-circuit. Il est prévu pour la sécurité des opérateurs. Des blessures peuvent survenir s'il est désactivé, déconnecté ou mal entretenu.

## 7.8 COMMUTATEUR D'ARRÊT À POIGNÉE

Sur le tube de la poignée principale se trouve un interrupteur rouge (FIG. 5). La commutation Le mécanisme de cet interrupteur doit fonctionner librement et doit toujours être conservé Dans cette condition. Avec l'interrupteur en position OFF, le moteur ne doit pas démarrer ou exécuter. Le but de cet interrupteur est d'arrêter le moteur en cas d'emballement situation (c'est-à-dire l'opérateur relâchant la poignée pendant le fonctionnement).

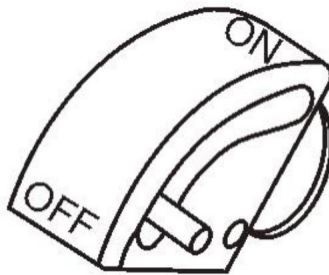


FIG.5

NE laissez PAS la machine inutilisée avec le moteur à haute vitesse pendant une période prolongée. période de temps prolongée. Cela entraînerait une usure prématurée de la courroie ou pourrait détruire la ceinture.

TOUJOURS régler le régime moteur au ralenti lorsque l'embrayage à main est débrayé.

## 8. DÉMARRAGE INITIAL

Soulever la truelle sur une dalle

### 8.1 Tube de levage auxiliaire

Retirez le tube de levage auxiliaire situé au-dessus de la poignée principale. Insérer le tube dans la douille située du côté opposé de la boîte de vitesses à la poignée. Assurez-vous que le trou du tube s'engage dans la goupille du prise. Avec une personne soulevant la poignée principale et une autre soulevant depuis le tube de levage auxiliaire, relever la machine pour la déplacer sur une dalle.



#### AVERTISSEMENT

La truelle doit être stabilisée par la personne portant le sac de l'opérateur. poignée. S'il n'est pas correctement stabilisé, la poignée peut osciller et retourner la truelle, causant ainsi des dommages à la truelle et au corps blessure.

### 8.2 Levage de la balle

La balle relevable est optionnelle sur les truelles neuves. Il fournit un point de levage optimal pour déplacer la truelle. Des balles de levage ou un chariot élévateur peuvent être utilisés pour soulever une truelle sur un bâtiment avec une grue.

L'utilisation d'une grue pour déplacer une machine avec une balle relevable est fortement recommandée et parfaitement sûre pour la machine. Des précautions supplémentaires doivent être prises lorsque cependant, en soulevant la machine du sol. Graves dommages à la machine ou des blessures pourraient être causées par la chute d'une truelle.

### 8.2 Levage de la balle (suite)

Cette section est destinée à aider l'opérateur lors du démarrage initial du truelle à conducteur marchant. Il est extrêmement important que cette section soit lue soigneusement avant d'essayer d'utiliser la truelle sur le terrain.

N'utilisez PAS votre truelle tant que cette section n'est pas parfaitement comprise.



#### AVERTISSEMENT

N'essayez PAS d'utiliser la truelle avant que les instructions de sécurité et générales Les sections Informations et Inspection de ce manuel ont été lues et bien compris. Selon le constructeur du moteur,

les étapes de fonctionnement peuvent varier. Voir le mode d'emploi du motoriste manuel.

## 9. DÉMARRAGE DU MOTEUR

9.1 Placez le levier du robinet de carburant du moteur (FIG. 6) en position "ON".

9.2 Placez le levier d'accélérateur de la truelle (FIG. 1) en position « IDLE ».

9.3 Placer le levier de starter (FIG. 7) en position "FERMÉ" si vous démarrez un moteur froid.

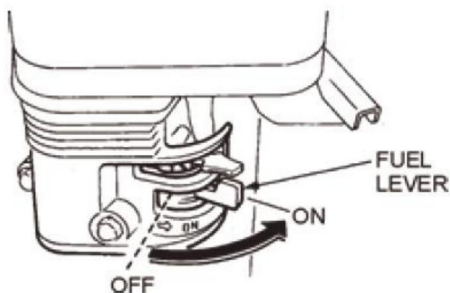


FIG.6

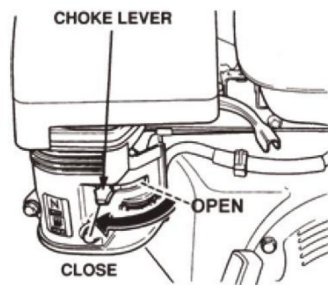


FIG.7

9.4 Placer le levier de starter (FIG. 8) en position "OUVERT" si vous démarrez un moteur à chaud. moteur ou la température est chaude.

9.5 Placer l'interrupteur ON/OFF du moteur (FIG. 9) en position "ON".

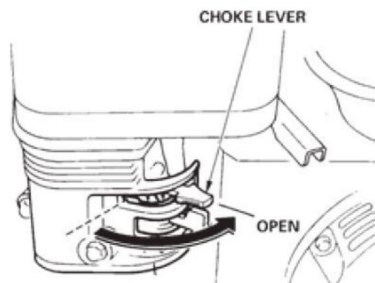


FIG.8

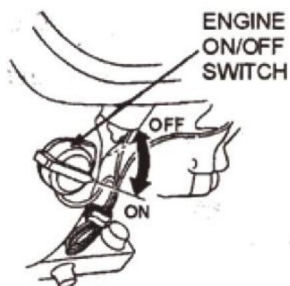


FIG.9

9.6 Saisissez la poignée de démarrage (FIG. 10) et retirez-la lentement. La résistance devient le plus difficile à une certaine position, correspondant au

point de compression. Tirez vivement et doucement sur la poignée du démarreur pour démarrer.

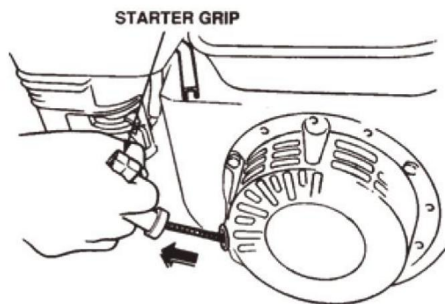


FIG.10

9.7 Si le moteur a démarré, ramenez lentement le levier de starter (FIG. 7) en position Poste libre. Si le moteur n'a pas démarré, répétez les étapes 1 à 6.

9.8 Avant de mettre la truelle en service, faites tourner le moteur pendant plusieurs minutes. Vérifiez les fuites de carburant et les bruits qui pourraient être associés à un

Couvercle ou composant de courroie trapézoïdale.

9.9 Pour commencer à truelle, déplacez le levier d'accélérateur (FIG. 11) vers la position « RAPIDE ».

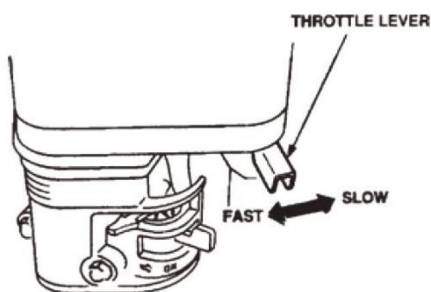


FIG.11

## 10. ARRÊT DU MOTEUR

10.1 Déplacez le levier d'accélérateur en position IDLE ou SLOW (FIG. 11) et faites tourner le moteur pendant trois minutes à basse vitesse.

10.2 Une fois le moteur refroidi, tournez l'interrupteur de démarrage/arrêt du moteur sur la position « OFF » (FIG. 12).

10.3 Fermez le robinet d'arrêt de carburant (FIG. 13) en déplaçant le levier du robinet de carburant en position OFF.

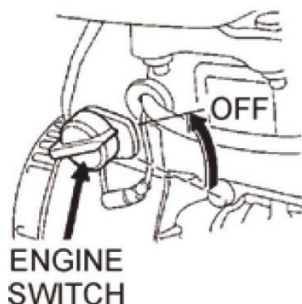


FIG.12

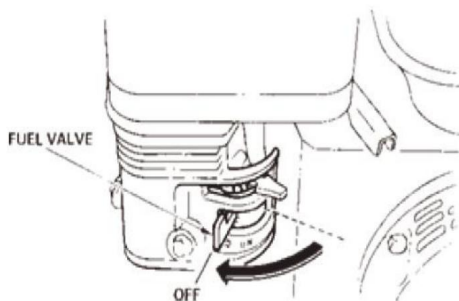


FIG.13

## 11. FONCTIONNEMENT

Les étapes suivantes sont destinées à servir de guide de base pour le fonctionnement de la machine et ne doivent pas être considérées comme un guide complet pour la finition du béton. Lire la section « Formation » de ce manuel pour plus d'informations.

### 11.1 Manœuvrer la truelle

11.1.1 Mettez-vous en position d'opérateur derrière la poignée. Avec un accès sécurisé prise du pied et prise ferme des poignées, augmentez lentement le régime moteur jusqu'à ce que la vitesse de lame souhaitée soit obtenue.

11.1.2 Pour manœuvrer la truelle, soulevez doucement ou appuyez sur le manche de truelle.

Pour déplacer la machine vers la gauche de l'opérateur, soulevez la poignée pour déplacer la machine vers la droite, appuyez sur la poignée.

11.1.3 Réglez le pas de la lame sur la poignée Standard, en tournant le bouton Pitch

Réglez la roue dans le sens des aiguilles d'une montre ou dans

le sens inverse. • Pour déplacer la truelle vers la gauche de l'opérateur, soulevez la poignée pour

déplacez la truelle vers la droite en appuyant sur la poignée. • Souviens-toi! que

si vous lâchez la truelle, éloignez-vous et laissez le

la truelle s'ARRÊTE complètement avant d'essayer de récupérer la truelle. • La meilleure méthode

pour finir le béton est de marcher lentement à reculons.

avec la truelle, en guidant la truelle d'un côté à l'autre. Cela couvrira tout

empreintes de pas sur béton humide.

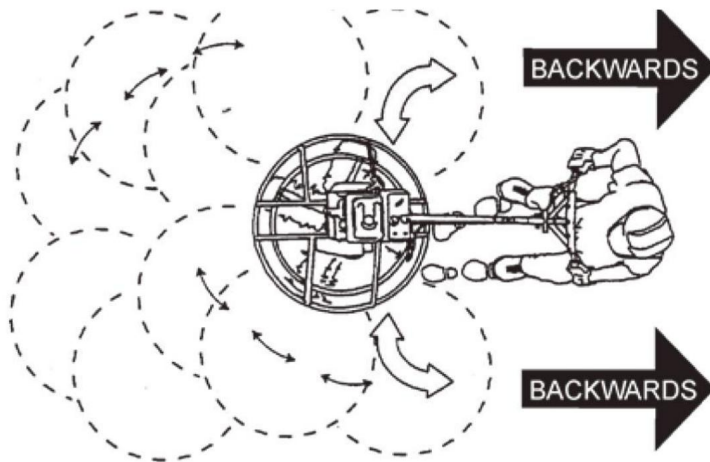


FIG.14



**AVERTISSEMENT**

NE JAMAIS placer vos pieds ou vos mains à l'intérieur des anneaux de protection lors du démarrage ou de l'utilisation de cet équipement.

Tenez-vous TOUJOURS à l'écart des pièces rotatives ou mobiles lorsque vous utilisez cet équipement.

## 12. OPTIONS D'ACCESSOIRES

### 12.1 Lames

#### NOTE

Les lames doivent être changées lorsqu'elles ne parviennent pas à finir le béton de manière satisfaisante. manière.

Les lames sont un élément essentiel de la finition du béton. Cette truelle a été conçue pour finir le béton et est construite selon des normes de qualité strictes à partir du meilleur acier de truelle. Si vous avez besoin de lames de rechange, consultez votre liste de pièces dans ce manuel pour connaître les numéros de pièce.

### 12.2 Lames combinées Cette

truelle était équipée de lames combinées FLOAT/FINISH (FIG. 15) comme équipement d'origine. Ces lames ont été conçues pour des performances optimales dans les opérations de flottage et de finition. Ces

Les lames sont polyvalentes et devraient répondre à la plupart des besoins de truelle.

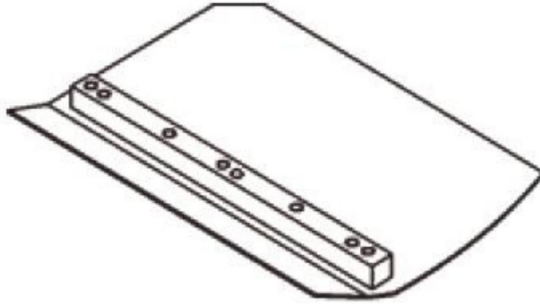


FIG.15

### 12.3 Lames de finition (en option)

Ces lames ont été spécialement conçues pour les opérations de finition avec cette truelle. Ils offriront une capacité de finition de surface haut de gamme à votre truelle. Ils ne doivent être utilisés qu'une fois que le béton a pris au point où la truelle ne s'enfonce pas dans le béton lorsqu'elle est placée dessus.

### 12.4 Lames de flotteur clipsables (en option)

Ces lames se clipseront (FIG.16) sur une lame installée existante, permettant à votre finisseur de flotter sur du béton « humide » afin que l'opération de truelle puisse commencer le plus tôt possible. Ils sont facilement amovibles, de sorte qu'après l'opération de flottage, lorsque le béton est suffisamment durci, ils peuvent être retirés pour exposer les lames de finition pour un truelage continu.

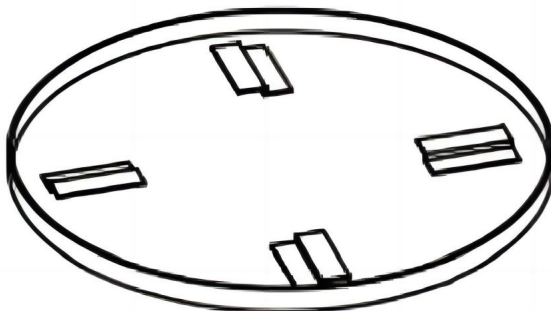


FIG.16

### 12.5 Disques flotteurs (en option)

Ces disques ronds se fixent sur les araignées et permettent à la machine de « flotter » sur du béton « humide ». La conception du disque permet un flottement précoce et un mouvement facile

des zones humides aux zones sèches. Ils sont également très efficaces pour intégrer de grandes granulats et durcisseurs de surface.

## 13. ENTRETIEN

### 13.1 Calendrier d'entretien

#### Quotidien (8-10 heures)

1. Vérifiez le niveau d'huile dans le carter moteur et la boîte de vitesses, remplissez comme nécessaire.

2. Vérifiez la courroie trapézoïdale.

#### Hebdomadaire (50-60 heures)

1. Relubrifier les bras, le collier de poussée et l'embrayage
2. Remplacez les lames si nécessaire.
3. Vérifiez et nettoyez ou remplacez le filtre à air du moteur si nécessaire.
4. Remplacez l'huile moteur et le filtre si nécessaire, voir le manuel du moteur.

#### Mensuel (200-300 heures)

1. Retirez, nettoyez, réinstallez et lubrifiez les bras et le collier de poussée. Ajuste le bras de lame.

#### Annuel (2 000 à 2 500 heures)

1. Vérifiez et remplacez si nécessaire les bagues de bras et les bagues de collier de poussée. et les joints d'arbre.

2. Vérifiez l'usure des câbles de commande de pas.

3. Ajustez la vitesse de la lame.

### 13.2 Réglage du bras de la truelle

Utilisez la procédure suivante pour vérifier et ajuster les bras de la truelle, et vérifiez

composants usés ou endommagés lorsqu'il devient évident que la truelle est

mal fini ou nécessitant un entretien de routine. Recherchez ce qui suit

les indications. L'alignement des bras de truelle,

des bagues araignées usées ou des bras de truelle pliés peuvent en être la cause. •

Les lames s'usent-elles de manière inégale ? Une lame est-elle complètement usée alors que le d'autres ont l'air neufs ?

• La machine présente-t-elle un mouvement de roulement ou de rebond perceptible lorsqu'elle est

utiliser?

• Regardez la machine pendant qu'elle est en marche ; est-ce que les anneaux de garde "se balancent et vers le bas » par rapport au sol ?

13.2.1 Placez la truelle dans une zone PLATE ET NIVEAU.

Une zone plane et propre pour tester la truelle avant et après est essentielle. N'importe lequel des endroits inégaux dans le sol ou des débris sous les lames de la truelle donneront un perception incorrecte de l'ajustement. Idéalement, un 5 x 5 pieds. (1,5 x 1,5 mètres)

Une plaque d'acier PLATE de trois quarts de pouce (19 mm) d'épaisseur doit être utilisée pour essai.

13.2.2 Inclinez les pales aussi à plat que possible. Les boulons de réglage doivent tous entrent à peine en contact avec la plaque d'usure inférieure de la boîte à araignée. Si l'on est ne prenant pas contact, un ajustement sera nécessaire. (FIG.17,FIG.4).

## 13.2 Réglage du bras de la truelle (suite)

La FIG. 17 illustre un « alignement incorrect », des bagues d'araignée usées ou pliées.

bras de truelle. Vérifiez que le boulon de réglage touche à peine (jeu maximum de 0,10 po) la plaque d'usure inférieure. Tous les boulons d'alignement doivent être espacés du même distance de la plaque d'usure inférieure.

1 boulon de réglage

2 Plaque d'usure inférieure

3 Surfaces

4 Effet « bombé » sur le béton fini

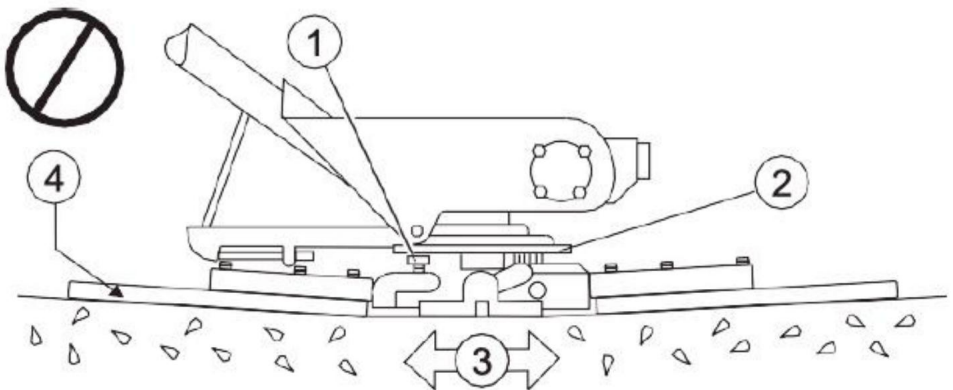


FIG.17

## 13.3 Retrait de la lame de truelle

13.3.1 Retirez les lames de la truelle du bras de la truelle en retirant les deux boulons à tête hexagonale du bras de la truelle. Mettez les lames de côté.

13.3.2 Brosse métallique pour toute accumulation de béton sur les six côtés de la truelle bras. Répétez cette opération pour les trois bras restants.

## 13.4 Réassemblage

13.4.1 Nettoyer et examiner les plaques d'usure supérieure/inférieure et pousser les collier.

13.4.2 Examinez l'ensemble de l'araignée dans son ensemble. Brosse métallique sur tout béton ou accumulation de rouille. Si des composants de l'araignée sont endommagés ou déformé, remplacez-le.

13.4.3 Réinstaller la bague en bronze sur les bras de la truelle.

13.4.4 Répétez les étapes ci-dessus pour chaque bras de truelle.

13.4.5 Assurez-vous que le tendeur à ressort est dans la bonne position pour exercer tension sur le bras de la truelle.

13.4.6 Avec la douille en bronze déjà installée, insérer tous les bras de la truelle avec des leviers dans la plaque araignée.

13.4.7 Prendre soin d'aligner le trou de graisse sur la bague en bronze avec le trou de graissage sur la plaque araignée.

13.4.8 Verrouillez les bras de la truelle en place en serrant le boulon à tête hexagonale avec Graisseur Zerk et contre-écrou.

13.4.9 Réinstallez les lames sur les bras de la truelle.

13.4.10 Installez l'anneau stabilisateur sur l'ensemble araignée.



### AVERTISSEMENT

Débranchez le fil de la bougie d'allumage et fixez-le à l'écart de moteur avant d'effectuer l'entretien ou les réglages sur la machine.

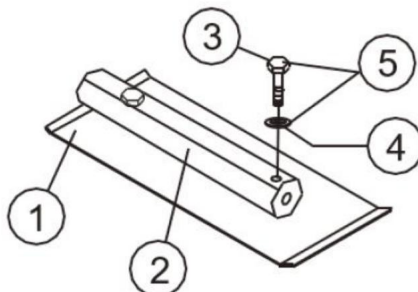
Lame

Bras de lame

Boulon à tête hexagonale

Rondelle de blocage

Retirer du bras



## 13.5 Modification

FBIIGa.d1e8s

Seulement

Nous recommandons de changer toutes les lames en même temps. Le

Dans le cas contraire, la truelle pourrait vaciller ou rebondir.

13.5.1 Placez la machine sur une surface plane et de niveau. Ajuster le pas de la lame commande pour rendre les lames aussi plates que possible.

NOTE

Faites attention à l'orientation de la lame sur le bras de la truelle.

13.5.2 Retirez les deux boulons et verrouillez les rondelles qui fixent la lame à le bras de la truelle.

13.5.3 Retirez la lame.

13.5.4 À l'aide d'une brosse métallique, gratter toutes les particules de béton et débris de forge du bras de la truelle.

13.5.5 Installez la nouvelle lame de truelle sur le bras de la truelle. Assurez-vous que le La lame est installée correctement, en conservant la bonne orientation pour la direction de rotation.

13.5.6 Réinstallez les deux boulons et rondelles de blocage qui fixent la lame au support. bras de truelle. Serrez fermement les boulons.

13.5.7 Répétez les étapes pour toutes les lames restantes.

13.6 Installation des casseroles sur les lames du finisseur



AVERTISSEMENT

Risque de levage/écrasement.

Ne soulevez PAS la truelle avec les casseroles attachées.

TOUJOURS installer les casseroles sur la zone de travail ou sur une zone proche au niveau de la zone de travail.

NE soulevez PAS la truelle lorsque les casseroles sont fixées.

13.6.1 Soulevez la truelle juste assez pour glisser la poêle sous les lames. Avec les lames adjacentes aux clips en Z, abaissez le finisseur sur le plateau.

13.6.2 Faites pivoter les lames en position sous les clips en Z. Assurez-vous que le les lames tournent dans le sens de la marche lorsque la machine est en opération. Ou utilisez le moteur pour faire tourner les lames en position.

13.6.3 Fixez les attaches de lame de l'autre côté des supports en Z avec boutons d'arrimage.

13.6.4 Avant de remettre la machine en service, vérifiez que que les bords de la lame sont fixés sous les clips en Z.

13.6.5 Avant de remettre la machine en service, vérifier que que les attaches sont fermement fixées sur les bords de la lame.

### 13.7 Retrait de la boîte d'araignée

13.7.1 Une fois qu'il est déterminé qu'un ajustement est nécessaire, retirez le l'ensemble étoile de l'arbre de boîte de vitesses comme suit :

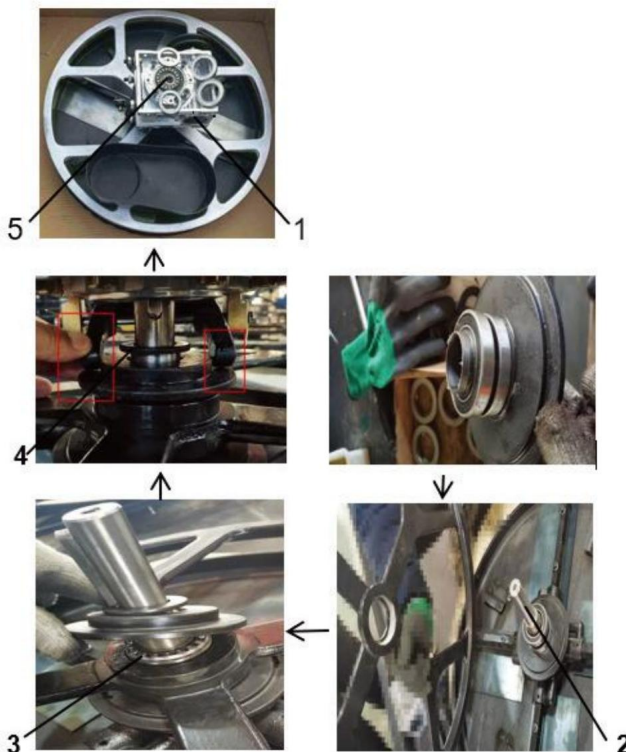
13.7.2 Retirez le raccord Zerk et la vis à tête Allen désignés par le des lettres".

13.7.3 Sur le côté opposé du bloc araignée, il y a un autre raccord Zerk et vis à tête allen. Supprimez ces deux composants.

13.7.4 Soulevez l'ensemble de truelle supérieur de l'ensemble d'araignée.

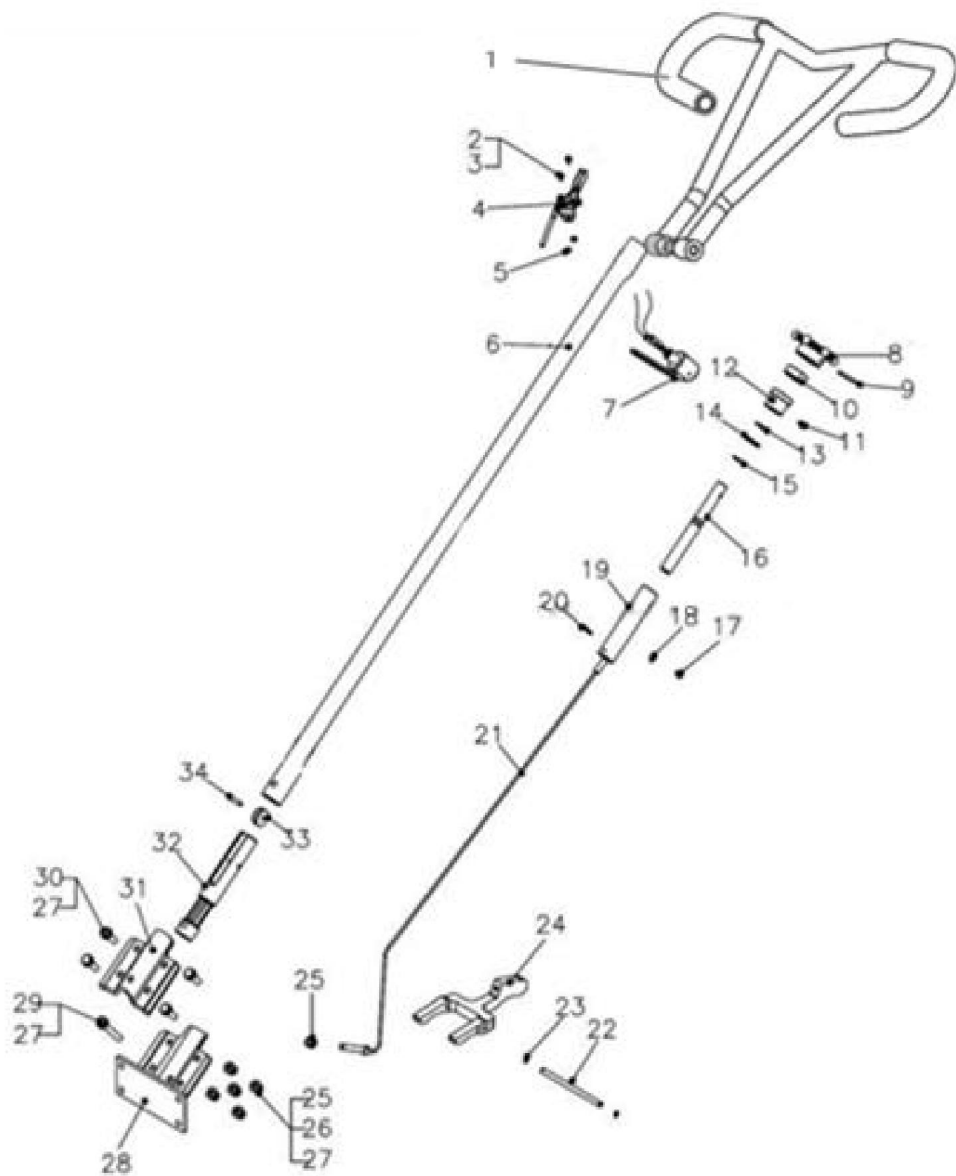
#### NOTE

Un léger coup avec un maillet en caoutchouc peut être nécessaire pour déloger l'araignée de l'arbre principal de la boîte de vitesses.



## 14 Liste des pièces

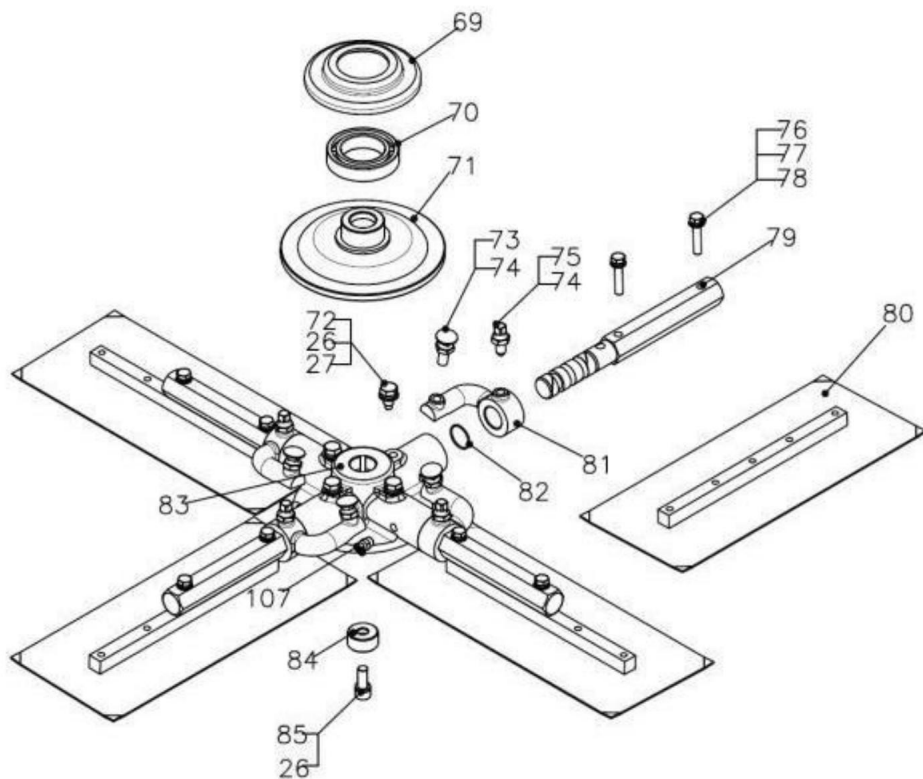
### Poignée



RÉF. Numéro de pièce	Description	Qté	Dimension
1	RG-003	Couverture plastique	2
2	QSC-M4*8	Vis	2 M4x8
3	QWS-PM4	Rondelle de plaque	2 M4
4	TSA-01	Ensemble d'accélérateur.	1
5	QNT-NM4	Poignée à écrou	2 M4
6	W436F-001	Nylock,	1
7	PAS-02	interrupteur d'arrêt WA (barre de dégagement, Taper)	1
8	436F-01-001	Bouton de réglage	1
9	QSP-5X50	Goupille à ressort	1 5x50
dix	QBR-51104	Boulon de	1
11	QBL-M6X10	roulement	1 M6x10
12	436F-01-004	Guide en aluminium	1
13	QWS-WM19	Rondelle ondulée	1 M19
14	QWS-PM19	Rondelle de plaque	1 M19
15	QSR-S18	Anneau élastique	1 S18
16	436F-01-002	Ajuster le tuyau à vis	1
17	QBL-M6X8	Boulon	1 M6X8
18	QWS-PM6	Rondelle à ressort	1 M6
19	436F-01-003	Guide-vis	1
	QSP-5X30	Goupille élastique	1 5X30
21	436F-01-007 POIDS	Fil d'acier	1
22	436F-02-004	Goupille de bras de joug	1
23	QSR-S10	Anneau élastique	2 S10
24	436F-02-003 B	Bras de joug	1
25	QNT-NM10	Écrou Nylock	dix M10
26	QWS-SM10	Rondelle à ressort	14 M10
27	QWS-PM10	Rondelle de plaque	18 M10
28	436F-02-001	Base de support de poignée	1

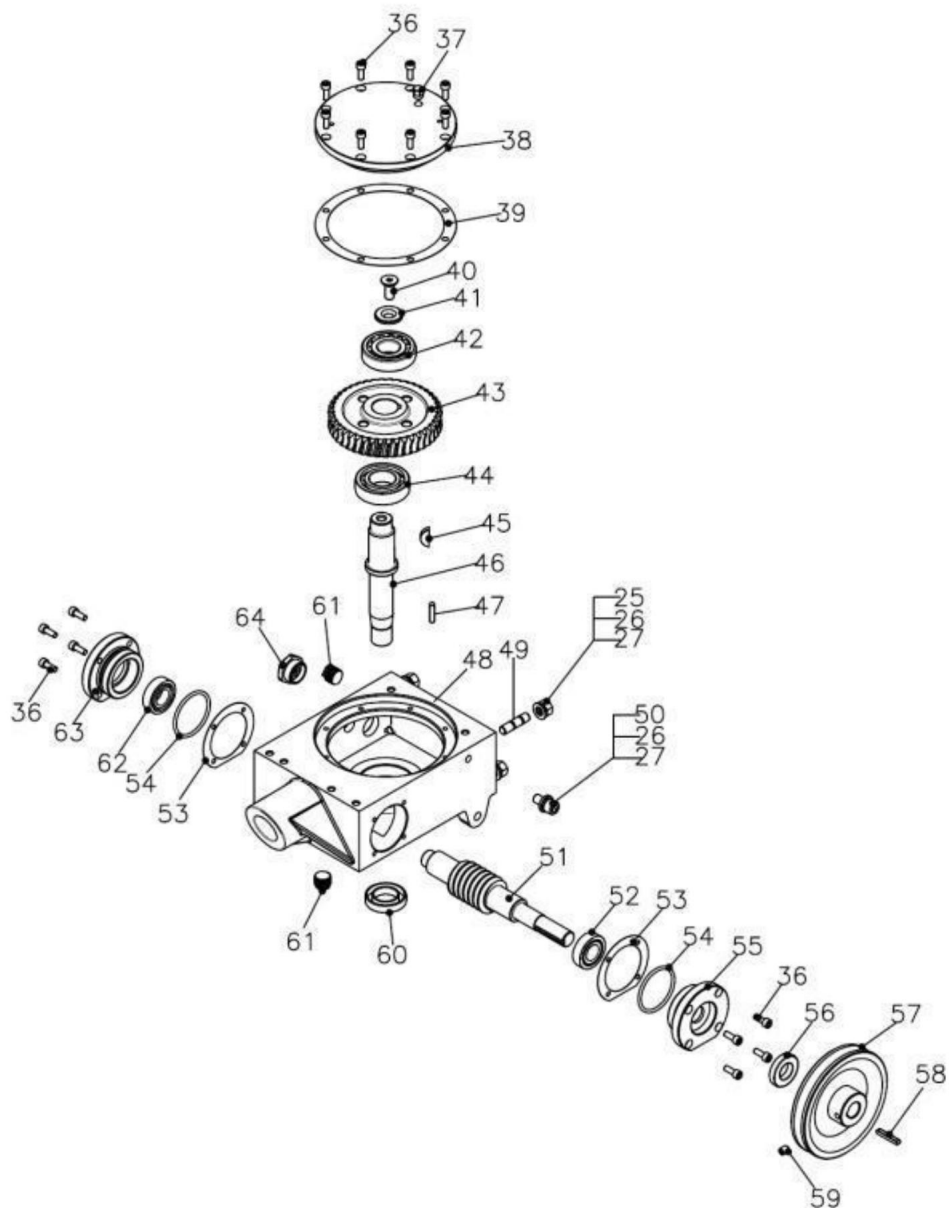
29QBL-M10X70		Boulon	1	M10X70
30QBL-M10X35		Boulon	4	M10X35
31	436F-02-002	Support supérieur	1	
32	436F-01-005	Joug en aluminium	1	
33	436A-01-010	Roue	1	
34	QSP-3X30	Goupille élastique	1	3X30

## Lame



RÉF	Numéro de pièce	Description	Qté	Dimension
26	QWS-SM10	Rondelle à ressort	5	M10
27	QWS-PM10	Rondelle de plaque	4	M10
69	436F-02-005B	Capuchon de plaque de presse	1	
70	QBR-6009	Palier	1	6009
71	436F-02-006B	Capuchon de plaque de presse	1	
72	QBL-M10X20	Boulon	4	M10X20
73	Boulon à tête ronde QBL-BB	M10X35	4	M10X35
74	QNT-TM10	Écrou fin	8	M10
75	QBL-SHM10X30	Boulon à tête carrée 76	4	
	QBL-7/16X11/2	Boulon	8	7/16*3/2L
77	QWS-SM8	Rondelle à ressort	8	M8
78	QWS-PM8	Rondelle de plaque	8	M8
79	436F-02-009B	Bras de lame	4	
80	436F-02-014	Assemblage de la lame	4	
81	436F-02-008	Bras inclinable	4	
82	ÉCRIRE-S22	Joint torique	4	22x1,5t
83	436F-02-007B	Araignée	1	
84	436F-02-010	Bague araignée	1	
85	QBL-LM10X30	Boulon à douille	1	M10x30

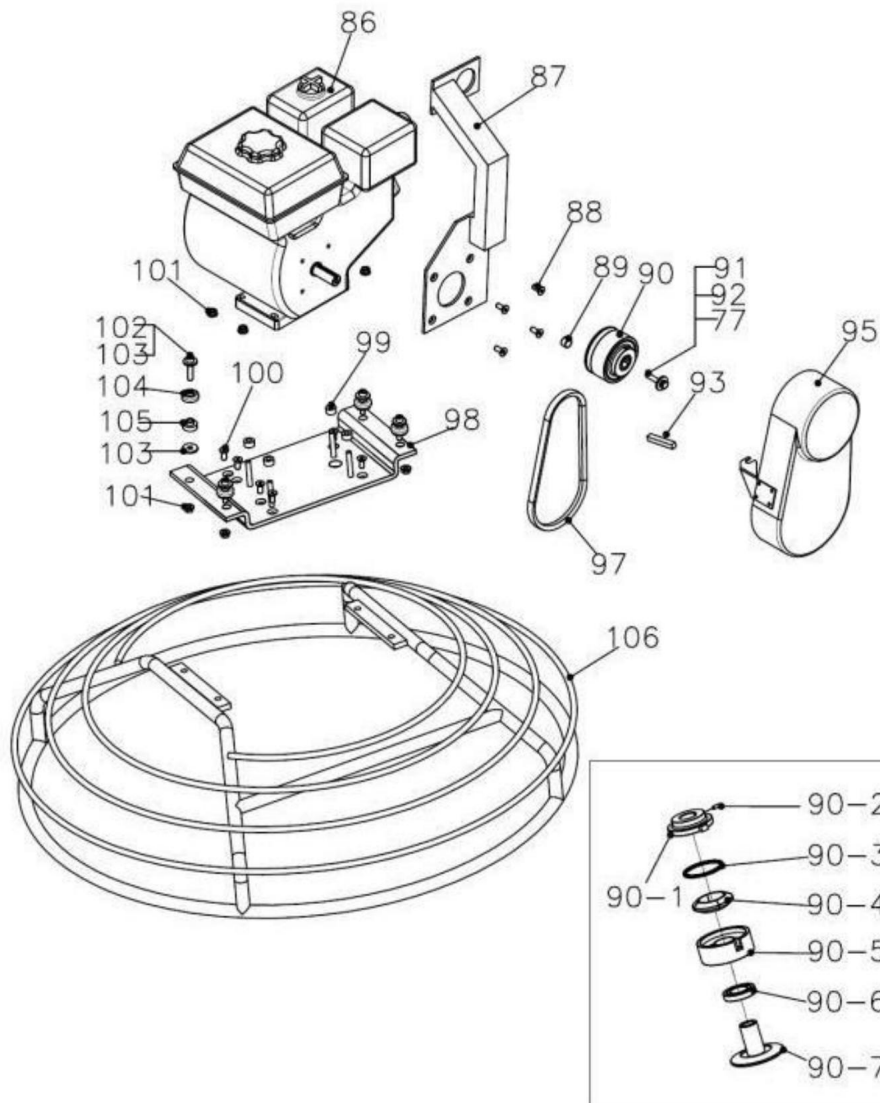
Boîte de vitesses



RÉF	Numéro de pièce	Description	Qté	Dimension
	436F-03	Assemblage de la boîte de vitesses	1	
25	QNT-NM10	Écrou Nylock	4	M10
26	QWS-SM10	Rondelle à ressort	5	M10
27	QWS-PM10	Rondelle de plaque	5	M10
36	QBL-M6X16	Boulon	16	M6X16L
37	QRV-M8	Soupape de décharge	1	
38	436F-03-004	Grande couverture	1	
39	436F-03-005	Joint de Grand Couvercle	1	
40	QBL-FHM10x25	Boulon à tête creuse plate	1	M10x25
41	QWS-SSM10	Machine à laver	1	M10
42	QBR-30305	Palier	1	30305
43	436F-03-008	Vis sans fin	1	
44	QBR-6206	Palier	1	6206
45	QKY-W6X10X25	Clé en bois	1	6X10X25
	436F-02-012	L'arbre principal	1	
47	QKY-6X25	Clé	1	6X25
48	436F-03-001	Coquille	1	
49	QBL-STM10x40	Haras	4	M10x40
50	QBL-M10X16	Boulon	1	M10X16
51	436F-03-007	Arbre à vis sans fin	1	
52	QBR-32004	Palier	1	32004
53	436F-03-006	Joint du couvercle latéral	2	
54	ÉCRIRE-P55	Joint torique	2	55x3,5t
55	436F-03-003	Couvercle latéral de sortie	1	
56	QOS-20X40X8	Joint Huile	1	
57	436F-04-005	Poulie	1	
58	QKY-5X35	Clé	1	5X35
59	QBL-M8X10	Boulon	1	M8X10
60	QOS-27X47X10	Joint Huile	1	27X47X10
61	436A-03-008WT	Vidange d'huile	2	
62	QBR-6004	Palier	1	6004

63	436F-03-002	Couvercle latéral	1	
64	Fenêtres de contrôle d'huile QOCW-M27x1,5		1	M27x1,5

## Anneau de sécurité



RÉF	Numéro de pièce	Description	Qté	Dimension
77	QWS-SM8	Rondelle à ressort		M8
86	GX160	Moteur GX-160	1	
87	W436F-005	Crochet de levage	1	
88	QBL-SHM8X20	Boulon à tête creuse	4	
89	436F-04-013	Buse d'embrayage	1	
90	CA-01	Embrayage	1	
90-1	CA-01-004	Plaque frontale	1	
90-2	QBL-AM8x16	Vis de réglage	2	M8x16
90-3	CA-01-005	Ressort d'embrayage	1	
90-4	CA-01-003	Poids de la chaussure	1	
90-5	CA-01-002	Tambour d'embrayage	1	
90-6	QBR-6006	Palier	1	6006
90-7	CA-01-001	Arbre d'embrayage	1	
91	QBL-M8X35	Boulon	1	M8X35
92	Rondelle de plaque	spéciale QWS-SPM8	1	M8
93	KKY-5x5x50	Clé	1	5x5x50
95	436F-04-006	Couverture de ceinture	1	
97	QBT-A26	Courroie trapézoïdale	1	A26
98	W436F-002	Plaque de support moteur	1	
99	436F-04-107	Douille de support moteur	4	
100	QBL-FHM8X20	Boulon à tête plate 101	4	M8X20
	QNT-M8	Noix	8	M8
102	QBL-LM8X40	Boulon à tête creuse	4	M8X40
103	QWS-PM8		8	M8
104	436F-04-004	Tasse	4	
105	436F-04-003	Caoutchouc	4	
106	W436F-004B	Anneau de sécurité	1	



**VEVOR**®

**TOUGH TOOLS, HALF PRICE**

Assistance technique et certificat de garantie  
électronique [www.vevor.com/support](http://www.vevor.com/support)

# VEVOR®

**TOUGH TOOLS, HALF PRICE**

Technischer Support und E-Garantiezerifikat [www.vevor.com/support](http://www.vevor.com/support)

## KELLER

**MODELL: HMR950, HMR1200**

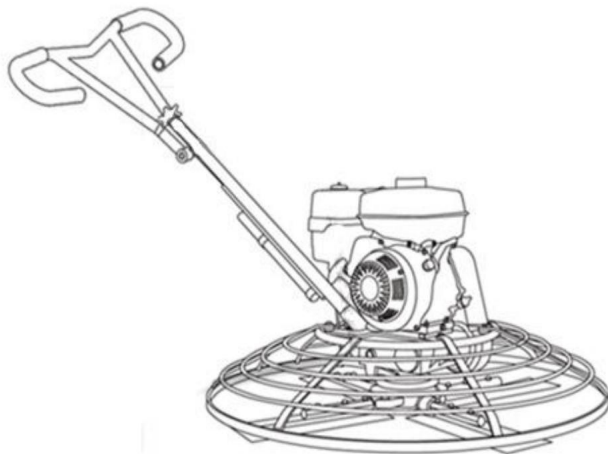
Wir sind weiterhin bestrebt, Ihnen Werkzeuge zu wettbewerbsfähigen Preisen anzubieten.

„Sparen Sie die Hälfte“, „Halber Preis“ oder andere ähnliche von uns verwendete Ausdrücke stellen lediglich eine Schätzung der Einsparungen dar, die Sie durch den Kauf bestimmter Werkzeuge bei uns im Vergleich zu den großen Top-Marken erzielen könnten, und bedeuten nicht unbedingt, dass alle angebotenen Werkzeugkategorien abgedeckt werden von uns. Bitte prüfen Sie bei Ihrer Bestellung sorgfältig, ob Sie im Vergleich zu den Top-Marken tatsächlich die Hälfte sparen.

**VEVOR**<sup>®</sup>  
TOUGH TOOLS, HALF PRICE

**KELLER**

**MODELL: HMR950, HMR1200**



<Bild nur als Referenz >

**BRAUCHEN SIE HILFE? KONTAKTIERE UNS!**

Haben Sie Fragen zum Produkt? Benötigen Sie technische Unterstützung? Bitte kontaktieren Sie uns:

**Technischer Support und E-Garantiezertifikat [www.vevor.com/support](http://www.vevor.com/support)**

Dies ist die Originalanleitung. Bitte lesen Sie alle Bedienungsanleitungen sorgfältig durch, bevor Sie das Gerät in Betrieb nehmen. VEVOR behält sich eine klare Auslegung unserer Bedienungsanleitung vor. Das Aussehen des Produkts hängt von dem Produkt ab, das Sie erhalten haben. Bitte entschuldigen Sie, dass wir Sie nicht erneut informieren, wenn es zu unserem Produkt technische oder Software-Updates gibt.

## WICHTIGE SICHERHEITSMASSNAHMEN



**WARNUNG:** Lesen und verstehen Sie dieses gesamte Handbuch, bevor Sie dieses Produkt in Betrieb nehmen oder warten. Die Nichtbeachtung dieser Warnungen und Anweisungen kann zu Verletzungen oder Sachschäden führen.

### 1. Sicherheitsinformationen

#### 1.1 Gesetze in Bezug auf Funkenfänger Hinweis:

Staatliche Gesundheits- und Sicherheitsvorschriften und Vorschriften für öffentliche Ressourcen legen fest, dass an bestimmten Orten Funkenfänger an Verbrennungsmotoren verwendet werden müssen, die Kohlenwasserstoff-Kraftstoffe verwenden. Ein Funkenfänger ist eine Vorrichtung, die den versehentlichen Austritt von Funken oder Flammen aus den Motorabgasen verhindern soll. Funkenfänger sind für diesen Zweck vom United States Forest Service qualifiziert und zugelassen.

Um die örtlichen Gesetze zu Funkenfängern einzuhalten, wenden Sie sich an den Motorhändler oder den örtlichen Gesundheits- und Sicherheitsbeauftragten.

#### 1.2 Betriebssicherheit



### WARNUNG

Für den sicheren Umgang mit Geräten sind Vertrautheit und entsprechende Schulung erforderlich! Unsachgemäß oder von ungeschultem Personal betriebene Geräte können gefährlich sein! Lesen Sie die in diesem Handbuch und im Motorhandbuch enthaltenen Bedienungsanleitungen und machen Sie sich mit der Lage und der ordnungsgemäßen Verwendung aller Bedienelemente vertraut. Unerfahrene Bediener sollten eine Einweisung durch eine mit der Maschine vertraute Person erhalten, bevor sie die Maschine bedienen dürfen. • Erlauben Sie NIEMALS

jemandem, dieses Gerät ohne entsprechende Schulung zu bedienen.

Personen, die dieses Gerät bedienen, müssen mit den damit verbundenen Risiken und Gefahren vertraut sein.

- Berühren Sie NIEMALS den Motor oder den Schalldämpfer, während der Motor läuft oder unmittelbar nachdem er abgestellt wurde. Diese Bereiche werden heiß und können zu Verbrennungen führen.
- Verwenden Sie NIEMALS Zubehör oder Aufsätze, die nicht von empfohlen werden.

Tomahawk Power. Es kann zu Schäden an der Ausrüstung und Verletzungen des Benutzers kommen. • Lassen Sie die Maschine NIEMALS unbeaufsichtigt laufen. • Stellen Sie IMMER sicher, dass der Bediener mit den entsprechenden Sicherheitsvorkehrungen vertraut ist Informieren Sie sich vor der Verwendung der Maschine über die Bedienungstechniken. • Tragen Sie IMMER eine nach ANSI Z87.1 zugelassene Schutzbrille oder Schutzbrille mit Seitenschutz oder bei Bedarf einem Gesichtsschutz. Verwenden Sie bei Staub eine Staubmaske Arbeitsbedingungen. Verwenden Sie außerdem rutschfeste Sicherheitsschuhe, einen Schutzhelm, Handschuhe und Staub Sammelsysteme und gegebenenfalls Gehörschutz. Dies gilt an alle Personen im Arbeitsbereich. • Schließen Sie bei Motoren, die damit ausgestattet sind, IMMER das Kraftstoffventil, wenn die Maschine in Betrieb ist nicht operiert wird. • Bewahren Sie die Ausrüstung IMMER ordnungsgemäß auf, wenn sie nicht verwendet wird. Ausrüstung sollten an einem sauberen, trockenen Ort außerhalb der Reichweite von Kindern aufbewahrt werden. • **Betreiben Sie die Maschine IMMER** mit angebrachten Sicherheitsvorrichtungen und Schutzvorrichtungen und funktionstüchtig. Sicherheitsvorrichtungen NICHT verändern oder entfernen. NICHT Betreiben Sie die Maschine nicht, wenn Sicherheitsvorrichtungen oder Schutzvorrichtungen fehlen oder nicht funktionieren. • Lesen, verstehen und befolgen Sie IMMER die Anweisungen in der Bedienungsanleitung bevor Sie versuchen, das Gerät zu bedienen.

### 1.3 Sicherheit beim Einsatz von Verbrennungsmotoren



#### **GEFAHR**

Beim Betrieb von Verbrennungsmotoren bestehen besondere Gefahren und tanken! Lesen und befolgen Sie die Warnhinweise im Handbuch des Motorbesitzers Beachten Sie die nachstehenden Handbuch- und Sicherheitsrichtlinien. Nichtbeachtung von Warnungen und GEFAHR Sicherheitsrichtlinien können zu schwerwiegenden Folgen führen Verletzung oder Tod.

• **Betreiben Sie die Maschine NICHT im Innenbereich oder in einem geschlossenen Bereich, z. B. einer Tiefgarage Gräben, es sei denn, es besteht eine ausreichende Belüftung durch Gegenstände wie Abluftventilatoren oder Schläuche sind vorhanden. Benzinabgase aus dem Motor enthält giftiges Kohlenmonoxidgas; Exposition gegenüber Kohlenmonoxid kann zu Bewusstlosigkeit führen und dazu führen**

**Tod. •**

**Rauchen Sie NICHT, während Sie die Maschine bedienen. • Beim**

**Auftanken des Motors NICHT rauchen. • NICHT bei heißem**

**oder laufendem Motor tanken. • Betanken Sie den Motor**

**NICHT in der Nähe offener Flammen. • Beim Auftanken des**

**Motors KEINEN Kraftstoff verschütten. • Lassen Sie den Motor**

**NICHT in der Nähe von offenem Feuer laufen. • Füllen Sie**

**den Kraftstofftank IMMER an einem gut belüfteten Ort auf. • Setzen Sie**

**den Tankdeckel IMMER nach dem Tanken wieder auf. • Überprüfen**

**Sie die Kraftstoffleitungen und den Kraftstofftank vorher IMMER auf Undichtigkeiten und Risse**

**Motor starten. •**

**Betreiben Sie die Maschine NICHT, wenn Kraftstofflecks vorhanden sind oder die Kraftstoffleitungen lock**

## 1.4 Servicesicherheit



### WARNUNG

Schlecht gewartete Geräte können zum Sicherheitsrisiko werden! Damit die

um sicherzustellen, dass die Ausrüstung über einen längeren Zeitraum hinweg sicher und ordnungsgemäß funktioniert

Wartung und gelegentliche Reparaturen sind erforderlich. • **Versuchen**

**Sie NICHT, die Maschine zu reinigen oder zu warten, während sie läuft.**

**Rotierende Teile können schwere Verletzungen**

**verursachen. • Starten Sie einen überfluteten Motor NICHT, wenn die Zündkerze entfernt ist**

**benzinbetriebene Motoren. Im Zylinder eingeschlossener Kraftstoff spritzt heraus**

**die Zündkerzenöffnung. • Bei**

**benzinbetriebenen Motoren NICHT auf Funken prüfen, sofern dies der Fall ist**

**überflutet oder es riecht nach Benzin. Ein verirrter Funke könnte sich entzünden  
Dämpfe.**

• **KEIN Benzin oder andere Kraftstoffe oder brennbare Lösungsmittel verwenden**

**zum Reinigen von Teilen, insbesondere in geschlossenen Räumen. Dämpfe von Kraftstoffen und  
Lösungsmittel können explosiv werden. •**

**Halten Sie den Bereich um den Schalldämpfer IMMER frei von Fremdkörpern wie Blättern,**

**Papier, Kartons usw. Ein heißer Schalldämpfer könnte diese entzünden und einen Brand auslösen.**

- Ersetzen Sie verschlissene oder beschädigte Komponenten IMMER durch Ersatzteile entworfen und empfohlen von Tomahawk Power.
- Ziehen Sie bei Maschinen, die damit ausgestattet sind, IMMER die Zündkerze ab Benzinmotoren vor der Wartung, um ein versehentliches Starten zu vermeiden.
- Halten Sie die Maschine IMMER sauber und sorgen Sie dafür, dass die Etiketten lesbar sind. Ersetzen Sie alles Fett und schwer lesbare Etiketten. Etiketten geben wichtige Hinweise zur Bedienung Anweisungen und warnen vor Gefahren und Gefahren.
- Überprüfen Sie vor jedem Gebrauch IMMER, ob beschädigte Teile vorhanden sind. Sorgfältig prüfen dass die Glättmaschine ordnungsgemäß funktioniert und ihre vorgesehene Funktion erfüllt. Beschädigte oder verschlissene Teile sofort ersetzen. Betreiben Sie das niemals Kelle mit einem beschädigten Teil.
- Überprüfen Sie den Estrich IMMER vor der Lagerung und vor der Lagerung Wiederverwendung. Bewahren Sie die Kelle an einem trockenen, sicheren Ort außerhalb der Reichweite von Personen auf Kinder bei Nichtgebrauch.
- Verwenden Sie IMMER nur das vom Hersteller empfohlene Zubehör Hersteller für die Verwendung mit der Kelle. Zubehör, das sein kann Bei der Verwendung mit der Glättmaschine besteht Verletzungsgefahr Estrichrüstung.
- Halten Sie die Klingen IMMER sauber, wenn sie nicht verwendet werden, und halten Sie die Schutzvorrichtungen an Ort und Stelle In der Reihenfolge.

## 2 Produktinformationen

### 2.1 Verwendungszweck

Mit dem Tomahawk Power gehört die mühsame manuelle Nachbearbeitung der Vergangenheit an Kellen! Verdichten Sie Betonböden ganz einfach, um optimale Endergebnisse zu erzielen bei Projekten wie Einfahrten, Kellern und Gewerbe/Industrie

Arbeitsplätze.

### 2.2 Kennenlernen der Kelle

Die Glättglätter von VEVOR sind für das Glätten und Endbearbeiten konzipiert Betonplatten. Analysieren Sie Ihre Kelle und achten Sie auf jede Komponente: die Motor, Rotorblätter, schnelle Pitch-Steuerung, Luftfilter, Fliehkraft-Stoppschalter, Kupplung und Riemenscheibensystem. Stellen Sie sicher, dass sich immer Öl im Motor befindet.

### 2.3 Sicherheit

Lesen Sie alle Sicherheitshinweise sorgfältig durch, bevor Sie Ihren Flügelglätter verwenden. Sicherheitshinweise finden Sie in diesem Handbuch und auf der Ausrüstung. Sicherheitsinformationen sollten in gutem, lesbarem Zustand bleiben. Die Bediener müssen in der Bedienung und Wartung des Geräts gut geschult sein Kelle.

Bevor Sie beginnen, testen Sie die Kelle auf einer ebenen, verwässerten Fläche der fertigen Fläche Beton. Testen Sie an einem Abschnitt, der frei von Schmutz und anderen Gegenständen ist. Der Probelauf erhöht das Vertrauen des Bedieners und erleichtert gleichzeitig die Einarbeitung selbst mit den Bedienelementen des Glätters. Darüber hinaus wird dies den Betreibern helfen verstehen, wie der Flügelglätter unter realen Bedingungen funktioniert.

## **2.4 Motor**

Die Flügelglätter von VEVOR werden von Kohler-Motoren angetrieben. Siehe die Anweisungen zum Betrieb finden Sie in der Bedienungsanleitung des Motors Wartung Ihres Motors. Das Motorhandbuch liegt Ihrem Motor bei Kelle.

## **2.5 Antriebssystem**

Die Kraftübertragung vom Motor auf die Getriebeeingangswelle erfolgt über einen Keilriemenscheibenantrieb

System. Die Riemenscheibe wird entweder über eine Fliehkraftkupplung oder eine manuelle Kupplung eingekuppelt. Weitere Informationen finden Sie im Abschnitt „Teile“ dieses Handbuchs.

## **2.6 Getriebe**

Das Getriebe befindet sich unter dem Motor und überträgt die Kraft auf den Rotor oder Spiderbox-Montage. Das Getriebe steuert die Drehzahl des Kelle und ist mit zwei Wellen (Eingang und Ausgang) ausgestattet.

## **2.7 Spiderbox**

Die vertikale Abtriebswelle des Getriebes ist mit einer Gussnabe namens verbunden Spinnenbox. Die Spinnenbox verfügt über 4 Arme, die nach außen ragen und dazu dienen Befestigung von Klingen oder anderem Zubehör. Denken Sie daran: wenn das Getriebe Die Abtriebswelle dreht sich, ebenso wie die Spiderbox-Baugruppe.

## **2,8 Klingen**

Die Flügel der Kelle werden verwendet, um den Beton zu bearbeiten, während sie rotieren um Ihre gegebene Oberfläche. Diese Kelle enthält jeweils 4 Kombinationsklingen Rotor. Sie sind in einem gleichmäßigen radialen Muster angeordnet und an der befestigt

vertikale rotierende Welle mittels der Spinnenbaugruppe.

## 2.9 Fliehkraftkupplung

Im Falle eines Durchgehens der Glättmaschine (der Bediener gibt die Glättmaschine frei). Griff), stoppt die Fliehkraftkupplung den Motor und bringt die Glättmaschine zum Stillstand Vollständiger Stopp.

## 2.10 Schulung

Informationen zur ordnungsgemäßen Schulung finden Sie im Abschnitt „SCHULUNGS-CHECKLISTE“ hinten in diesem Handbuch. Diese Checkliste enthält eine

Leitfaden für einen erfahrenen Bediener zur Schulung eines neuen Bedieners.

## 3. Technische Spezifikationen

### Kelle

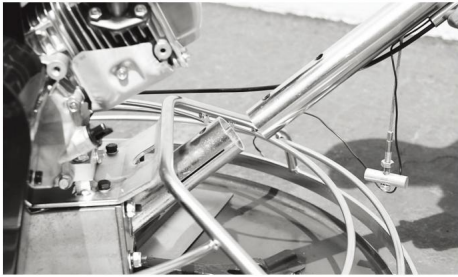
<b>Modell</b>	HMR950	HMR1200
<b>Motor</b>	CH260	CH440
<b>Anzahl der Klingen</b>	4	4
<b>Scheibendurchmesser</b>	38 Zoll	46 Zoll
<b>Optimaler Klingenwinkel Einstellung (°)</b>	0-15	0-15

### Motor

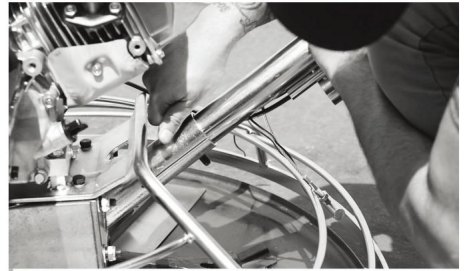
<b>Modell</b>	CH440
<b>Typ</b>	4-Takt, obenliegende Nockenwelle, 1 Zylinder
<b>PS</b>	14
<b>Übertragungssystem</b>	Schneckengetriebe und Schnecke
<b>Kraftstoffverbrauch (g/kWh)</b>	374
<b>Maximale Geschwindigkeit (U/min)</b>	2800

## 4 Benutzerhandbuch

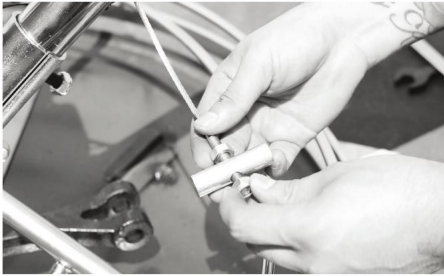
### 4.1 Express-Setup



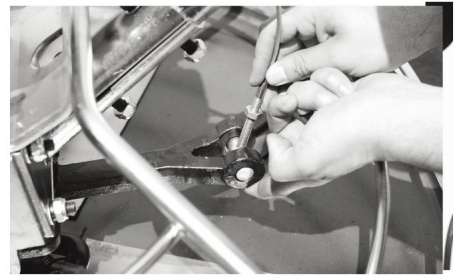
Schritt 1: Führen Sie das Ende der Lenkersäule in die Basis des ein Kelle.



Schritt 2: Führen Sie die Schrauben und Unterlegscheiben durch die Löcher im Lenker ein und befestigen Sie sie mit einer Mutter.



Schritt 3: Schrauben Sie die Mutter vom Stift ab und führen Sie den Stift durch die Basis der Kelle ein.



Schritt 4: Stecken Sie die Schraube durch den Stift und befestigen Sie die Muttern oben und unten, um sie an Ort und Stelle zu halten.

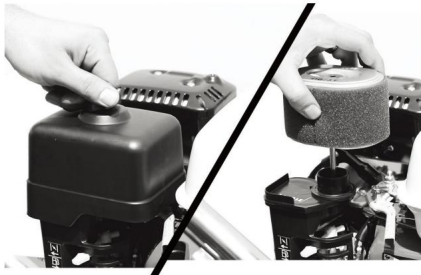


Schritt 5: Bringen Sie den Lenker um die Öse herum zur Oberseite der Lenkersäule an.

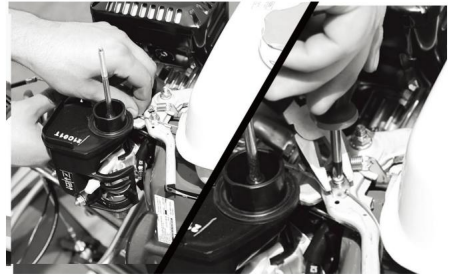


Schritt 6: Stecken Sie den Bolzen durch die Basis der Griffe und dann am Ende mit einer Mutter befestigen.

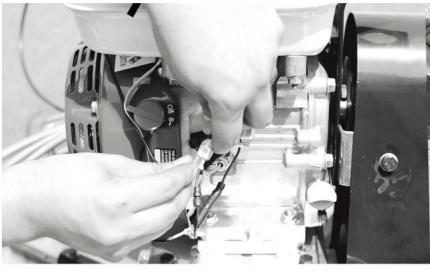
## 4.2 Kurzanleitung



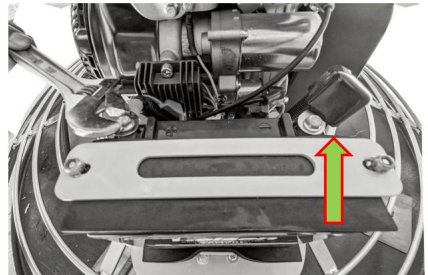
Schritt: 7 Um den Gaszug anzubringen, entfernen Sie den Luftfilter und die Abdeckung.



Schritt: 8 Führen Sie das Kabel durch Drehgelenkmutter und durch das Drehgelenk anhalten und dann die Schraube festziehen.



Schritt: 9 Bringen Sie das Kill-Schalter-Kabel vorne am Motor anbringen und anschließen Es ist der Ausschalter.



Schritt:10 Befestigen Sie das Positiv (rot) und negative (schwarze) Motorleitungen zur Batterie.

## 5. Bedienelemente und Komponenten

### 5.1 Griff

Enthält ein „Sternrad“ zur manuellen Einstellung des Klingenwinkels.



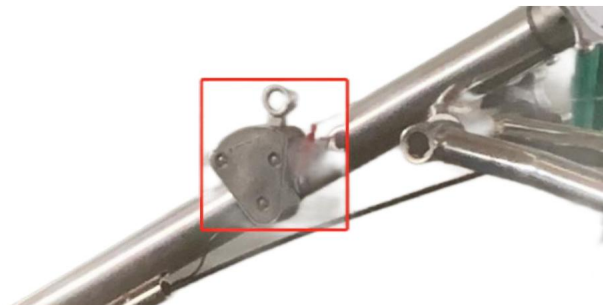
## 5.2 Klappbarer Quick-Pitch-Griff Mit Hebelgriff

zur schnellen Einstellung der Blattneigung. Der Griff lässt sich zur Aufbewahrung zusammenklappen.



## 5.3 Fliehkraft-Abschalterschalter Für

den Fall, dass der Bediener die Kontrolle über den Flügelglätter verliert, schaltet dieser Schalter den Motor ab.



## 5.4 Gashebel Der Gashebel steuert

die Drehzahl des Motors. Bewegen Sie den Handhebel in Richtung des Bedieners, um die Motorgeschwindigkeit zu erhöhen (hoch), und vom Bediener weg, um die Motorgeschwindigkeit zu verringern (niedrig).



## 5.5 Fahrradlenker

Der breitere Lenker des Glätters ermöglicht eine höhere Stabilität, Balance und Manövrierfähigkeit. Ersetzen Sie die Griffe, wenn sie abgenutzt oder beschädigt sind.

## 5.6 Motor

Die Kellen von VEVOR verwenden Kohler-Motoren und sind mit einem 3-Jahres-Motor ausgestattet  
Garantie für zuverlässigen Service.

## 5.7 Blattneigungssteuerung

Stellen Sie die Stahlklingen der Kelle im Bereich von 0 bis 15 Grad ein, um ein mattes, helles Ergebnis zu erzielen  
Glanz oder glänzendes Finish.

## 5.8 Schutzring

NIEMALS Hände und Füße in den Schutzring stecken.

## 5.9 Glättarm

Bietet Befestigungspunkte für die Klingen. Wenn die Messer ungleichmäßigen Verschleiß aufweisen  
Muster oder wenn die Klingen schneller verschleifen als andere, muss möglicherweise der Glättarm verwendet werden  
ersetzt werden.

## 5.10 Klingen

Diese Kelle ist mit 4 kombinierten Klingen aus gehärtetem Stahl ausgestattet  
sowohl Float- als auch Finish-Operationen. Diese Klingen sind austauschbar mit  
die meisten Hersteller.

## 5.11 Keilriemenabdeckung

Entfernen Sie diese Abdeckung, um Zugang zum Keilriemen zu erhalten. Betreiben Sie den Glätter NIEMALS  
wenn diese Abdeckung entfernt wurde.

## 5.12 Griff

Zum Einklappen des Griffs lösen.

# 5.2 Zusätzliche Komponenten

## 5.2.1 Stabilisatorring

Der Stabilisatorring reduziert die Vibrationen des Glättarms und hält ihn  
ausgewogen.

## 5.2.2 Schwimmerpfanne

Die Schwimmerpfanne ist so konzipiert, dass sie an den Combo-Klingen befestigt werden kann, sodass sie zerfällt  
hohe Stellen, bringt Mörtel an die Oberfläche und erzeugt eine gleichmäßige und gleichmäßige Oberfläche

ebene Platte.

## 5.2.3 Hilfshubrohr

Verwenden Sie dieses Rohr, um die Kelle auf eine Platte zu heben. Rohr ist in das einzuführen Steckdose vor dem Getriebe. Verfügbar mit ausgewählten Einheiten.

# 6. MOTOR

## 6.1 Wartung

Die Kellen von VEVOR werden von Kohler-Motoren angetrieben. Der Motor muss sein Vor dem Betrieb auf ordnungsgemäße Schmierung prüfen und mit Kraftstoff füllen. Verweisen Anweisungen und Einzelheiten zum Betrieb finden Sie im Motorhandbuch des Herstellers und Service. Falls ein Problem auftreten sollte oder Sie Fragen dazu haben Ihres Motors wenden Sie sich an einen autorisierten Kohler-Wartungshändler.

## Die Bedeutung der Wartung

Eine gute Wartung ist für Sicherheit, Wirtschaftlichkeit und Störungsfreiheit unerlässlich Betrieb. Es wird auch dazu beitragen, die Umweltverschmutzung zu reduzieren.



### WARNUNG

- Unsachgemäße Wartung oder das Versäumnis, ein Problem vor dem Betrieb zu beheben, kann zu Fehlfunktionen führen, die zu schweren oder tödlichen Verletzungen führen können.

Befolgen Sie stets die Inspektions- und Wartungsempfehlungen und Zeitpläne in dieser Bedienungsanleitung.

Um Ihnen bei der richtigen Pflege Ihres Motors zu helfen, finden Sie auf den folgenden Seiten Folgendes: Wartungsplan, routinemäßige Inspektionsverfahren und einfach

Wartungsverfahren mit einfachen Handwerkzeugen. Weitere Serviceaufgaben, die schwieriger sind oder Spezialwerkzeuge erfordern, erledigen Sie am besten von

Die Arbeiten werden von Fachleuten durchgeführt und normalerweise von einem Kohler-Techniker oder einem anderen Techniker durchgeführt qualifizierter Mechaniker.

Der Wartungsplan gilt für normale Betriebsbedingungen. Wenn du

Betreiben Sie Ihren Motor unter erschwerten Bedingungen, wie z. B. anhaltend hoher Belastung oder Hochtemperaturbetrieb oder die Verwendung unter ungewöhnlich nassen oder staubigen Bedingungen, wenden Sie sich an Ihren Wartungshändler, um Empfehlungen für Ihr Gerät zu erhalten individuelle Bedürfnisse und Nutzung.

**Wartung, Austausch oder Reparatur der Emissionskontrollgeräte und Systeme können von jeder Motorenreparaturwerkstatt durchgeführt werden oder einzeln, unter Verwendung von Teilen, die nach EPA-Standards „zertifiziert“ sind.**

## 6.2 Wartungssicherheit

Nachfolgend finden Sie einige der wichtigsten Sicherheitsvorkehrungen. Das können wir jedoch nicht warnen Sie vor allen erdenklichen Gefahren, die bei der Durchführung auftreten können  
Wartung. Nur Sie können entscheiden, ob Sie eine durchführen sollten oder nicht  
gegebene Aufgabe.



### WARNUNG

**Nichtbeachtung der Wartungsanweisungen und Vorsichtsmaßnahmen kann zu schweren Verletzungen oder zum Tod führen. Befolgen Sie immer die Verfahren und Vorsichtsmaßnahmen in dieser Bedienungsanleitung.**



### VORSICHT:

Versuchen Sie **NIEMALS** , den Glätter selbst anzuheben.

Lassen Sie sich beim Anheben des Glätters **IMMER** von einer anderen Person unterstützen.

## 6.2 Wartungssicherheit Fortsetzung

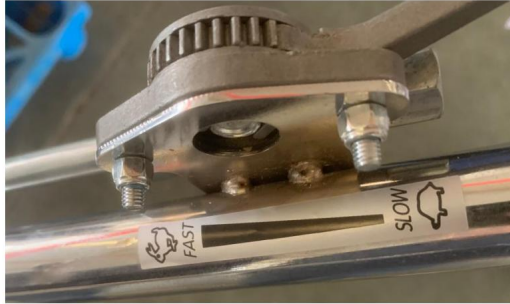
### 6.2.1 Tankdeckel

Entfernen Sie diesen Deckel, um bleifreies Benzin in den Kraftstofftank einzufüllen. Stellen Sie sicher, dass  
Der Tankdeckel ist fest angezogen. Nicht überfüllen.



### 6.2.2 Gashebel

Mit dem Gashebel wird die Motordrehzahl eingestellt (Hebel vorgeschoben).  
vorwärts LANGSAM, Hebel schnell zurück zum Bediener).



### 6.2.3 Motor EIN/AUS Die Position

ON ermöglicht das Starten des Motors, die Position OFF stoppt den Motorbetrieb.



### 6.2.4 Reversierstarter (Zugseil)

Manuelle Startmethode. Ziehen Sie am Startergriff, bis Sie einen Widerstand spüren, und ziehen Sie dann kräftig und gleichmäßig.



### 6.2.5 Füllstand des Kraftstoffventils

ÖFFNEN, um Kraftstoff fließen zu lassen, SCHLIESSEN, um den Kraftstofffluss zu stoppen.

### 6.2.6 Choke-Hebel Wird

beim Anlassen eines kalten Motors oder bei kalten Wetterbedingungen verwendet und reichert das Kraftstoffgemisch an.

### 6.2.7 Luftfilter

Der Luftfilter verhindert, dass Schmutz und andere Ablagerungen in das Kraftstoffsystem gelangen.

Um an das Filterelement zu gelangen, entfernen Sie die Flügelmutter oben am Luftfilter Kanister.

#### NOTIZ:

**Betreiben Sie den Motor nicht ohne Luftfilter, wenn die Luft beschädigt ist Filter oder ein Filter, der ausgetauscht werden muss. Dadurch kann Schmutz eindringen Motor und verursachen schnellen Motorverschleiß.**

### 6.2.8 Zündkerze

Die Zündkerze versorgt das Zündsystem mit einem Funken. Reinigen Sie den Funken Einmal pro Woche einstecken. Stellen Sie den Zündkerzenabstand auf 0,6–0,7 mm (0,028–0,031 Zoll) ein.

### 6.2.9 Schalldämpfer

Der Schalldämpfer dient der Reduzierung von Geräuschen und Emissionen des Motors.



#### WARNUNG

Motorkomponenten können extreme Hitze erzeugen. Um Verbrennungen vorzubeugen, **tun Sie es** Berühren Sie diese Bereiche **NICHT**, während der Motor läuft oder unmittelbar danach Betriebs.

Betreiben Sie den Motor **NIEMALS** mit abgenommenem Schalldämpfer.

### 6.2.10 Kraftstofftank

Der Kraftstofftank enthält bleifreies Benzin. Weitere Informationen finden Sie im Betriebsanleitung des Motors.

## 7. VORINSPEKTION

Betreiben Sie den Flügelglätter **NIEMALS** in einem geschlossenen Bereich oder einer geschlossenen Struktur Dadurch ist kein ausreichend freier Luftstrom gewährleistet.

Tragen Sie vorher **IMMER** eine zugelassene Schutzbrille und einen Gehörschutz Bedienung der Glättmaschine.

**NIEMALS** Hände oder Füße in die Schutzringe stecken, während der Motor läuft läuft.

Stellen Sie **IMMER** den Motor ab, bevor Sie irgendwelche Arbeiten ausführen Wartung an der Kelle.

Es wird empfohlen, den Notausschalter des Glätters zu verwenden, um den Motor abzustellen nach jedem Gebrauch. Dadurch wird überprüft, ob der Schalter ordnungsgemäß funktioniert stellt für den Bediener keine Gefahr dar.

## 7.1 Vor dem Start

7.1.1 Lesen Sie die Sicherheitshinweise am Anfang dieser Anleitung.

7.1.2 Reinigen Sie den Flügelglätter, indem Sie Schmutz und Staub entfernen, insbesondere im Bereich Motorkühlufteinlass, Vergaser und Luftfilter.

7.1.3 Luftfilter auf Schmutz und Staub prüfen. Wenn der Luftfilter verschmutzt ist, ersetzen Sie ihn bei Bedarf mit einem neuen.

7.1.4 Überprüfen Sie den Vergaser auf äußeren Schmutz und Staub. Reinigen Sie es trocken Druckluft.

7.1.5 Befestigungsmuttern und -schrauben auf festen Sitz prüfen.

## 7.2 Kontrolle des Motoröls

7.2.1 Um den Motorölstand zu prüfen, stellen Sie den Flügelglätter auf einen sicheren Untergrund ebener Boden bei abgestelltem Motor.

7.2.2 Entfernen Sie den Einfüllmessenstab aus der Motoröl-Einfüllöffnung (ABB. 2) und

Wischen Sie es sauber.

7.2.3 Den Ölmesstab einsetzen und herausnehmen, ohne ihn in den Einfüllstutzen einzuschrauben.

Überprüfen Sie den am Ölmesstab angezeigten Ölstand.

7.2.4 Wenn der Ölstand niedrig ist (ABB. 3), füllen Sie ihn bis zum Rand der Öleinfüllöffnung auf empfohlen mit SAE10W-30 4-Takt-Öl. Die maximale Ölkapazität beträgt 400 ccm.

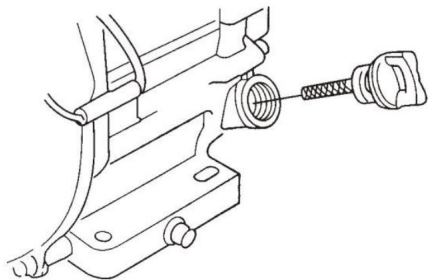


ABB.2

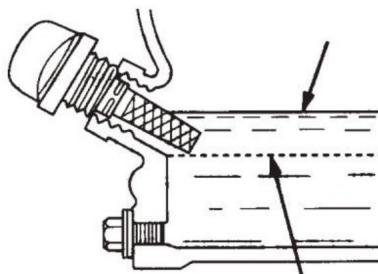


ABB. 3

### 7.3 Kraftstoffkontrolle

Motorkraftstoffe sind leicht entzündlich und können bei unsachgemäßer Handhabung gefährlich sein.

Beim Tanken NICHT rauchen. Versuchen Sie NICHT, den Glätter aufzutanken, wenn dies der Fall ist  
Der Motor ist heiß oder läuft.

7.3.1 Entfernen Sie den Tankdeckel, der sich oben auf dem Kraftstofftank befindet.

7.3.2 Führen Sie eine Sichtprüfung durch, um festzustellen, ob der Kraftstoffstand niedrig ist. Wenn der Kraftstoffstand niedrig ist, füllen Sie ihn nach  
Benzin mit 89 Oktan.

7.3.3 Beim Tanken unbedingt ein Sieb zur Filterung verwenden. NICHT auffüllen  
der Treibstoff. Wischen Sie verschütteten Kraftstoff auf.

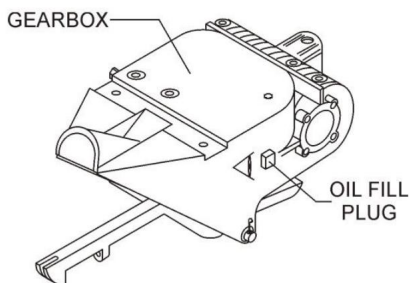


ABB.4

### 7.4 Getriebeöl

7.4.1 Stellen Sie fest, ob der Getriebeölstand niedrig ist, indem Sie den Ölstopfen entfernen  
die Seite des

Getriebe. Dieser Stecker ist mit dem „Häkchen“-Aufkleber gekennzeichnet. Siehe ABB. 4. Die  
Der korrekte Schmierölstand sollte bis zur Unterkante des Einfüllstopfens reichen.

7.4.2 Wenn beim Entfernen der Ablassschraube Schmieröl auszutreten beginnt,  
dann kann davon ausgegangen werden, dass das Getriebe über ausreichend Öl verfügt.

7.4.3 Wenn beim Entfernen der Ablassschraube kein Schmieröl austritt,  
Mit Getriebeölschmieröl Typ ISO 680 auffüllen, bis die Öleinfüllöffnung überläuft.

### 7.5 Keilriemenprüfung

Ein verschlissener oder beschädigter Keilriemen kann die Leistung Ihres Motors beeinträchtigen

Elektroglätter. Sollte ein Keilriemen defekt oder verschlissen sein, tauschen Sie einfach den Keilriemen aus  
wie im Abschnitt „Wartung“ dieses Handbuchs beschrieben.

## 7.6 Messerprüfung

Überprüfen Sie vor dem Start, ob die Messer abgenutzt oder beschädigt sind. Wenn eine Klinge abgenutzt ist

Während die anderen neu aussehen, könnte dies an einem Blattneigungsproblem liegen.

Anweisungen dazu finden Sie im Abschnitt „Wartung“ dieses Handbuchs

Verfahren zur Blattneigungseinstellung. Ersetzen Sie abgenutzte Klingen.

## 7.7 SICHERHEITSKILLSCHALTER

Dieser Flügelglätter ist mit einem Sicherheits-Notausschalter ausgestattet. Sicherheitskill

Die Schalter sollten bei jedem Anlassen des Motors überprüft werden.

### NOTIZ

**NIEMALS! Deaktivieren oder trennen Sie den Kill-Schalter. Es ist vorgesehen**

**Sicherheit des Bedieners. Es kann zu Verletzungen kommen, wenn es deaktiviert, getrennt oder nicht angeschlossen ist unsachgemäß gepflegt.**

## 7.8 GRIFF DRÜCKEN SIE DEN KILL-SCHALTER

Am Hauptgriffrohr befindet sich ein roter Schalter (ABB. 5). Der Wechsel

Der Mechanismus dieses Schalters sollte frei funktionieren und stets aufbewahrt werden

in diesem Zustand. Wenn der Schalter auf OFF steht, sollte der Motor nicht laufen

starten oder ausführen. Der Zweck dieses Schalters besteht darin, den Motor bei einem Durchgehen zu stoppen Situation (d. h. der Bediener lässt den Griff während des Betriebs los).

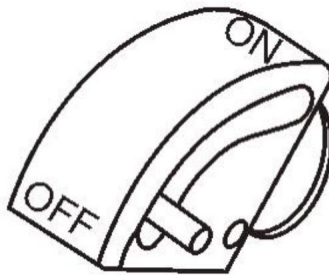


ABB.5

Lassen Sie die Maschine **NICHT** längere Zeit unbenutzt stehen, während der Motor mit hoher Drehzahl läuft längere Zeitspanne. Dies führt zu vorzeitigem Riemenverschleiß oder kann zur Zerstörung des Riemens führen der Gürtel.

Stellen Sie die Motordrehzahl **IMMER** auf Leerlauf, wenn die Handkupplung ausgekuppelt ist.

## 8. ERSTE INBETRIEBNAHME

Anheben der Kelle auf eine Platte

### 8.1 Hilfshubrohr

Entfernen Sie das Hilfshubrohr oben am Hauptgriff. Einfügen

Stecken Sie das Rohr in die Buchse auf der gegenüberliegenden Seite des Getriebes

der Griff. Stellen Sie sicher, dass das Loch im Rohr in den Stift im Rohr eingreift

Steckdose. Dabei hebt eine Person den Hauptgriff und eine andere hebt ihn an

Heben Sie die Maschine vom Hilfshubrohr an, um sie auf eine Platte zu bewegen.



### WARNUNG

**Der Glätter muss von der Person, die ihn trägt, stabilisiert werden handhaben. Wenn es nicht richtig stabilisiert ist, kann der Griff herumschwingen und die Kelle umdrehen, was zu Schäden an der Kelle und anderen Personen führen kann Verletzung.**

### 8.2 Ballen anheben

Der Hubballen ist bei neuen Glättern optional. Es bietet einen optimalen Hebe- und Punkt für

Bewegen der Kelle. Heben Sie Ballen an oder heben Sie einen Gabelstapler an, um eine Kelle auf einen Boden zu heben

Bauen mit einem Kran.

Die Verwendung eines Krans zum Bewegen einer Maschine mit angehobenem Ballen wird

dringend empfohlen und ist absolut sicher für die Maschine. Wann ist besondere Vorsicht geboten?

Heben Sie die Maschine jedoch nicht vom Boden ab. Schwere Schäden an der Maschine

Durch das Herunterfallen einer Glättmaschine kann es zu Verletzungen kommen.

### 8.2 Heben des Ballens Fortsetzung

Dieser Abschnitt soll dem Bediener bei der Erstinbetriebnahme des helfen

handgeführte Kelle. Es ist äußerst wichtig, dass dieser Abschnitt gelesen wird

sorgfältig, bevor Sie versuchen, die Kelle auf dem Feld einzusetzen.

Benutzen Sie die Kelle **NICHT**, bis Sie diesen Abschnitt vollständig verstanden haben.



### WARNUNG

**Versuchen Sie NICHT, den Glätter zu betreiben, bis die Sicherheitshinweise im Allgemeinen vorliegen Die Abschnitte „Informationen“ und „Inspektion“ dieses Handbuchs wurden gelesen und gründlich verstanden. Je nach Motorenhersteller**

Die Bedienschritte können variieren. Siehe Betriebsanleitung des Motorenherstellers Handbuch.

## 9. STARTEN DES MOTORS

9.1 Stellen Sie den Kraftstoffventilhebel des Motors (ABB. 6) auf die Position „ON“.

9.2 Stellen Sie den Gashebel des Flügelglätters (ABB. 1) auf die Position „IDLE“.

9.3 Bringen Sie den Choke-Hebel (ABB. 7) beim Starten in die Position „GESCHLOSSEN“.

kalter Motor.

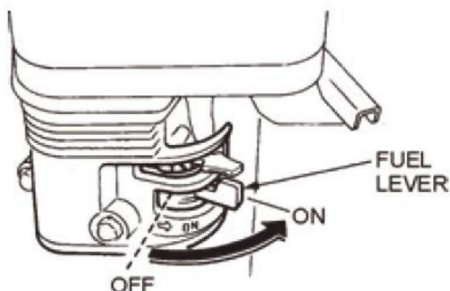


ABB.6

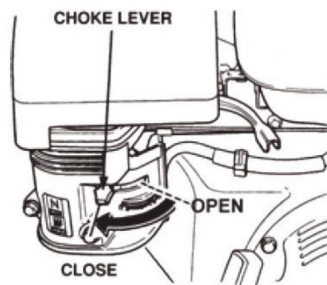


ABB.7

9.4 Stellen Sie den Choke-Hebel (ABB. 8) in die Position „OFFEN“, wenn Sie einen Warmstart durchführen Motor oder die Temperatur ist warm.

9.5 Stellen Sie den EIN/AUS-Schalter des Motors (ABB. 9) auf die Position „EIN“.

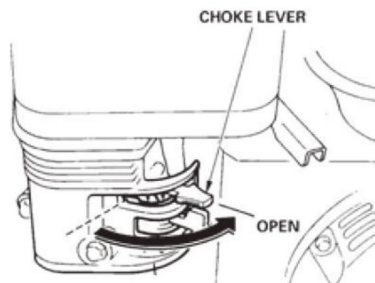


ABB.8

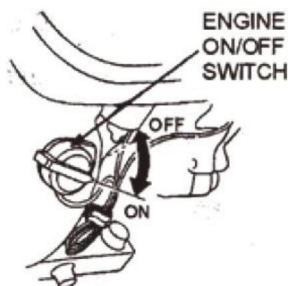


ABB.9

9.6 Fassen Sie den Startergriff (ABB. 10) und ziehen Sie ihn langsam heraus. Der Widerstand wird an einer bestimmten Position am härtesten, entsprechend der

Kompressionspunkt. Ziehen Sie zum Anlassen zügig und gleichmäßig am Startergriff.

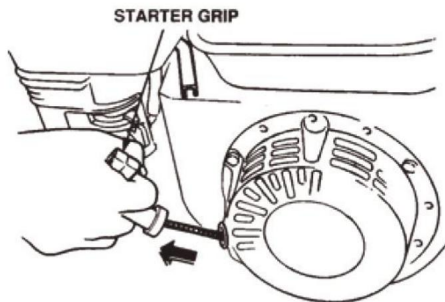


ABB.10

9.7 Wenn der Motor angesprungen ist, stellen Sie den Choke-Hebel (ABB. 7) langsam wieder auf die Position Freie Stelle. Wenn der Motor nicht gestartet ist, wiederholen Sie die Schritte 1 bis 6.

9.8 Bevor Sie den Flügelglätter in Betrieb nehmen, lassen Sie den Motor einige Zeit lang laufen Protokoll. Auf Kraftstofflecks und Geräusche prüfen, die auf eine lose Verbindung hinweisen Keilriemenabdeckung oder Bauteil.

9.9 Um mit dem Glätten zu beginnen, bewegen Sie den Gashebel (ABB. 11) in Richtung „SCHNELL“.

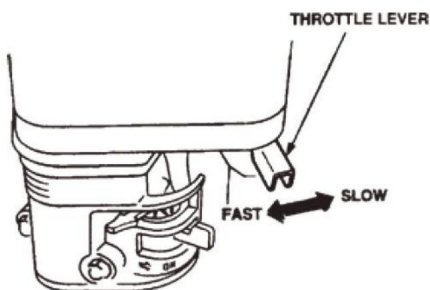


ABB.11

## 10. STOPPEN DES MOTORS

10.1 Bewegen Sie den Gashebel in die Position LEERLAUF oder LANGSAM (ABB. 11) und Lassen Sie den Motor drei Minuten lang bei niedriger Drehzahl laufen.

10.2 Nachdem der Motor abgekühlt ist, drehen Sie den Start-/Stoppschalter des Motors in die Position „OFF“ (ABB. 12).

10.3 Schließen Sie den Kraftstoffabsperrrhahn (ABB. 13), indem Sie den Kraftstoffhahnhebel bewegen in die AUS-Position bringen.

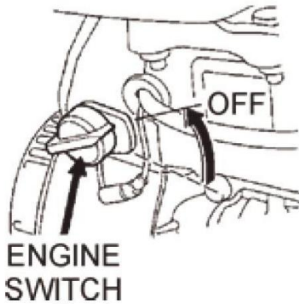


ABB.12

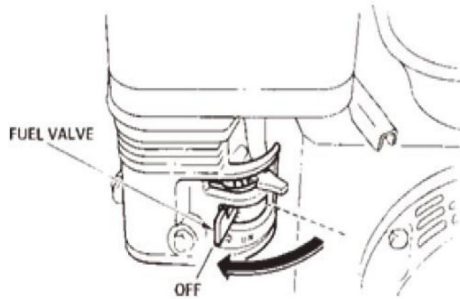


ABB.13

## 11. BETRIEB

Die folgenden Schritte dienen als grundlegende Anleitung für den Maschinenbetrieb und sind nicht als vollständige Anleitung für die Betonbearbeitung zu betrachten. Lesen

Weitere Informationen finden Sie im Abschnitt „Schulung“ dieses Handbuchs.

### 11.1 Manövrieren der Kelle

11.1.1 Nehmen Sie die Bedienerposition hinter dem Griff ein. Mit einem sicheren

Durch einen festen Halt und einen festen Griff an den Griffen wird die Motordrehzahl langsam erhöht bis die gewünschte Messergeschwindigkeit erreicht ist.

11.1.2 Um den Glätter zu manövrieren, heben Sie ihn vorsichtig an oder drücken Sie ihn nach unten Kellengriff.

Um die Maschine nach links vom Bediener zu bewegen, heben Sie den Griff an, um sie zu bewegen Drehen Sie die Maschine nach rechts und drücken Sie den Griff nach unten.

11.1.3 Passen Sie die Blattneigung am Standardgriff an, indem Sie die Neigung drehen

Stellen Sie das Rad im Uhrzeigersinn oder gegen den Uhrzeigersinn

ein. • **Um den Flügelglätter nach links vom Bediener zu bewegen, heben Sie den Griff an**

**Bewegen Sie die Kelle nach rechts und drücken Sie den Griff nach unten. •**

**Erinnern! Wenn Sie die Kelle loslassen, treten Sie einfach zurück und lassen Sie das**

**Stellen Sie sicher, dass die Glättmaschine vollständig zum Stillstand gekommen ist, bevor Sie**

**versuchen, die Glättmaschine zu bergen. • Die beste Methode zur Betonbearbeitung besteht darin, langsam rückwärts**

**mit der Kelle, indem Sie die Kelle von einer Seite zur anderen führen. Damit ist alles abgedeckt**

**Fußabdrücke auf nassem Beton.**

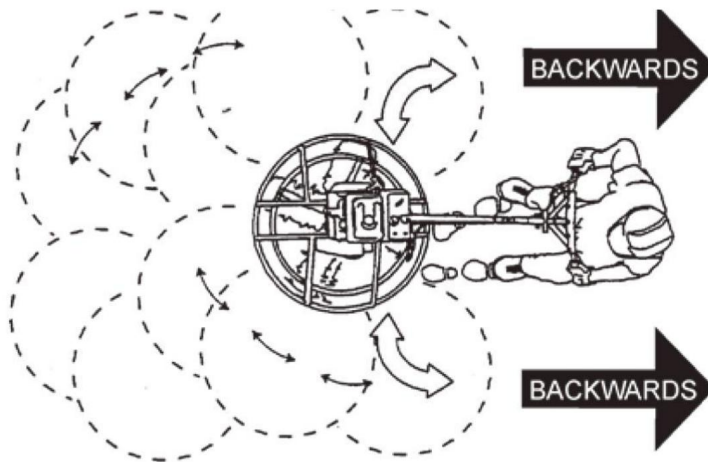


ABB.14



## WARNUNG

Legen Sie Ihre Füße oder Hände **NIEMALS** in die Schutzringe, während Sie dieses Gerät starten oder bedienen.

Halten Sie sich beim Betrieb dieses Geräts **IMMER** von rotierenden oder beweglichen Teilen fern.

## 12. ZUBEHÖROPTIONEN

### 12.1 Klingen

#### NOTIZ

Die Klingen sollten ausgetauscht werden, wenn sie den Beton nicht zufriedenstellend bearbeiten können.

Klingen sind ein wesentlicher Bestandteil der Betonbearbeitung. Diese Kelle wurde für die Bearbeitung von Beton entwickelt und wird nach strengen Qualitätsstandards aus feinstem Kellenstahl hergestellt. Wenn Sie Ersatzklingen benötigen, finden Sie die Teilenummern in der Teileliste in diesem Handbuch.

### 12.2 Kombimesser Dieser

Glätter war als Erstausrüstung mit kombinierten FLOAT/FINISH-Blättern (ABB. 15) ausgestattet. Diese Klingen wurden für optimale Leistung sowohl beim Gleit- als auch beim Endbearbeitungsvorgang entwickelt. Diese

Die Klingen sind vielseitig einsetzbar und sollten die meisten Glättenforderungen erfüllen.

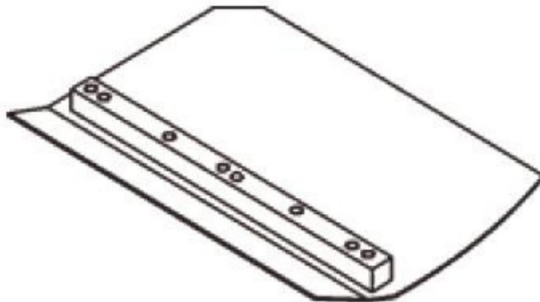


ABB.15

### 12.3 Finish-Klingen (optional)

Diese Klingen wurden speziell für die Endbearbeitung mit dieser Kelle entwickelt. Sie sorgen mit Ihrer Kelle für eine erstklassige Oberflächenbearbeitung. Sie sollten erst verwendet werden, wenn der Beton so weit ausgehärtet ist, dass die Kelle beim Aufsetzen nicht mehr in den Beton einsinkt.

### 12.4 Aufsteckbare Schwimmerblätter (optional)

Diese Klingen werden an einer bereits installierten Klinge befestigt (ABB. 16), sodass Ihr Fertiger auf „nassem“ Beton schwimmen kann, sodass der Glättvorgang so früh wie möglich beginnen kann. Sie sind leicht abnehmbar, so dass sie nach dem Schwimmvorgang, wenn der Beton ausreichend ausgehärtet ist, entfernt werden können, um die Endbearbeitungsblätter für das weitere Glätten freizulegen.

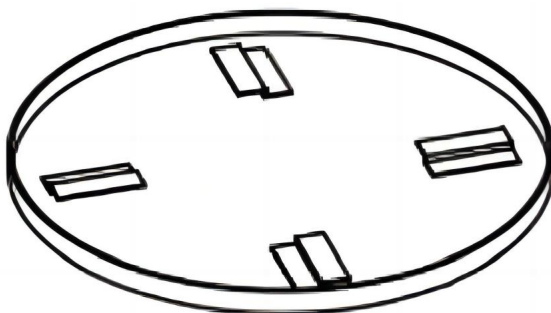


ABB.16

### 12.5 Schwimmscheiben (optional)

Diese runden Scheiben werden an den Spinnen befestigt und ermöglichen der Maschine, auf „nassem“ Beton zu „schwimmen“. Das Scheibendesign ermöglicht ein frühes Aufschwimmen und eine einfache Bewegung

von nassen bis trockenen Bereichen. Sie eignen sich auch sehr gut zum Einbetten großer Flächen Zuschlagstoffe und Oberflächenhärter.

## 13. WARTUNG

### 13.1 Wartungsplan

#### Täglich (8–10 Stunden)

1. Überprüfen Sie den Ölstand im Motorkurbelgehäuse und im Getriebe und füllen Sie ihn auf notwendig.
2. Keilriemen prüfen.

#### Wöchentlich (50–60 Stunden)

1. Arme, Druckring und Kupplung neu schmieren
2. Ersetzen Sie die Klingen bei Bedarf.
3. Prüfen und reinigen oder ersetzen Sie den Motorluftfilter nach Bedarf.
4. Motoröl und Filter nach Bedarf austauschen, siehe Motorhandbuch.

#### Monatlich (200–300 Stunden)

1. Arme und Druckring ausbauen, reinigen, wieder einbauen und neu schmieren. Verstelle die Klingenarme.

#### Jährlich (2000–2500 Stunden)

1. Überprüfen Sie die Armbuchsen und die Druckringbuchsen und tauschen Sie sie bei Bedarf aus und Wellendichtungen.
2. Überprüfen Sie die Pitch-Steuerkabel auf Verschleiß.
3. Passen Sie die Klingengeschwindigkeit an.

### 13.2 Glättarmeinstellung

Gehen Sie wie folgt vor, um die Glättarme zu prüfen, einzustellen und zu prüfen abgenutzte oder beschädigte Bauteile, wenn sich herausstellt, dass der Glätter beschädigt ist die Verarbeitung ist schlecht oder eine routinemäßige Wartung ist erforderlich. Achten Sie auf Folgendes Hinweise. Die Ausrichtung des Glättarms, verschlissene Spinnenbuchsen oder verbogene Glättarme können die Ursache sein. • Verschleßen die Klingen ungleichmäßig? Ist eine Klinge währenddessen vollständig abgenutzt? andere sehen neu aus?

- Hat die Maschine beim Einfahren eine spürbare Roll- oder Hüpfbewegung?

verwenden?

- Schauen Sie sich die Maschine an, während sie läuft; Machen Sie die Schutzringe „rock up and nach unten“ relativ zum Boden?

### 13.2.1 Platzieren Sie den Glätter auf einer FLACHEN, EBENEN Fläche.

Ein ebener, sauberer Bereich zum Testen des Glätters vor und nach dem Glätten ist unerlässlich. Beliebige Unebene Stellen im Boden oder Schmutz unter den Glättklingen verursachen ein Problem falsche Wahrnehmung der Anpassung. Idealerweise ein 5 x 5 Fuß großes. (1,5 x 1,5 Meter) Es sollte eine 19 mm dicke, flache Stahlplatte verwendet werden testen.

13.2.2 Stellen Sie die Rotorblätter so flach wie möglich ein. Die Einstellschrauben sollten alle Habe kaum Kontakt mit der unteren Verschleißplatte am Spiderbox. Wenn einer ist Wenn kein Kontakt besteht, ist eine Anpassung erforderlich. (Abb. 17, Abb. 4).

## 13.2 Glättarmeinstellung Fortsetzung

Abb. 17 zeigt „falsche Ausrichtung“, verschlissene oder verbogene Spinnenbuchsen Kellenarme. Stellen Sie sicher, dass die Einstellschraube die untere Verschleißplatte kaum berührt (max. 0,10 Zoll). Alle Ausrichtungsschrauben sollten einen entsprechenden Abstand haben gleichen Abstand von der unteren Verschleißplatte haben.

- 1 Einstellschraube
- 2 Untere Verschleißplatte
- 3 Oberfläche
- 4 „Gewölbter“ Effekt auf fertigem Beton

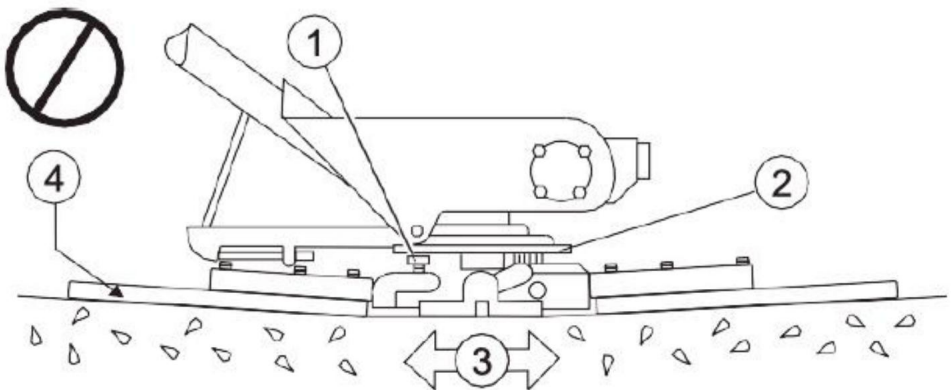


ABB.17

## 13.3 Ausbau des Glättmessers

13.3.1 Entfernen Sie die Glättmesser vom Glättarm, indem Sie die beiden entfernen Sechskantschrauben vom Glättarm. Legen Sie die Klingen beiseite.

13.3.2 Sämtliche Betonansammlungen von allen sechs Seiten der Kelle mit einer Drahtbürste abbürsten Arm. Wiederholen Sie dies für die verbleibenden drei Arme.

### 13.4 Wiederausammenbau

13.4.1 Reinigen und prüfen Sie die oberen/unteren Verschleißplatten und drücken Sie sie gegen den Kragen.

13.4.2 Untersuchen Sie die gesamte Spinnenbaugruppe. Drahtbürsten Sie jeden Beton oder Rostbildung. Wenn festgestellt wird, dass Spinnenkomponenten beschädigt sind oder verformt, ersetzen Sie es.

13.4.3 Bringen Sie die Bronzebuchse wieder an den Glättarmen an.

13.4.4 Wiederholen Sie die obigen Schritte für jeden Glättarm.

13.4.5 Stellen Sie sicher, dass sich der Federspanner in der richtigen Position befindet Spannung am Glättarm.

13.4.6 Wenn die Bronzebuchse bereits montiert ist, alle Glättarme einsetzen mit Hebeln in die Spinnenplatte.

13.4.7 Achten Sie darauf, das Fettloch an der Bronzebuchse mit dem auszurichten Fettlochbefestigung an der Spinnenplatte.

13.4.8 Arretieren Sie die Glättarme, indem Sie die Sechskantschraube festziehen Zerk-Schmiernippel und Kontermutter.

13.4.9 Bringen Sie die Klingen wieder an den Glättarmen an.

13.4.10 Installieren Sie den Stabilisatorring auf der Spinnenbaugruppe.



## WARNUNG

Trennen Sie das Zündkerzenkabel von der Zündkerze und sichern Sie es

Lassen Sie den Motor ab, bevor Sie Wartungs- oder Einstellarbeiten an der Maschine durchführen.

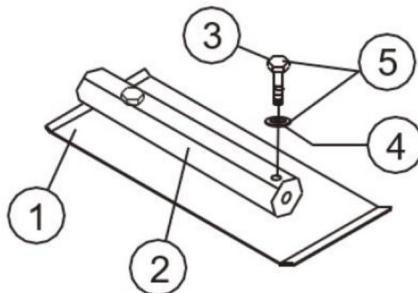
• Klinge

• Klinge Arm

• Sechskantschraube

• Sicherungsscheibe

• Vom Arm entfernen



## 13.5 Ändern

FBII/Ga.d1e8s

## Nur

Wir empfehlen, alle Klingen gleichzeitig zu wechseln. Der  
Andernfalls kann die Kelle wackeln oder springen.

13.5.1 Stellen Sie die Maschine auf eine ebene, ebene Fläche. Passen Sie die Blattneigung an  
Kontrolle, um die Klingen so flach wie möglich zu machen.

### NOTIZ

Achten Sie auf die Blattausrichtung am Glättarm.

13.5.2 Entfernen Sie die beiden Schrauben und sichern Sie die Unterlegscheiben, mit denen das Messer befestigt ist  
der Glättarm.

13.5.3 Entfernen Sie die Klinge.

13.5.4 Kratzen Sie mit einer Drahtbürste alle Betonpartikel und Fremdkörper ab  
vom Glättarm.

13.5.5 Installieren Sie das neue Glättmesser am Glättarm. Stellen Sie sicher, dass

Die Klinge ist korrekt installiert und behält die richtige Richtungsausrichtung bei  
der Rotation.

13.5.6 Bringen Sie die beiden Schrauben und Sicherungsscheiben wieder an, mit denen die Klinge am befestigt ist  
Glättarm. Ziehen Sie die Schrauben fest an.

13.5.7 Wiederholen Sie die Schritte für alle verbleibenden Klingen.

13.6 Anbringen der Pfannen an den Finisher-Messern



## WARNUNG

**Hebe-/Quetschgefahr.**

**Heben Sie die Kelle NICHT mit angebrachten Pfannen an.**

**Stellen Sie die Pfannen IMMER auf dem Arbeitsbereich oder einem angrenzenden Bereich auf  
auf bzw. auf gleicher Höhe mit dem Arbeitsbereich.**

**Heben Sie die Kelle NICHT an, wenn die Pfannen angebracht sind.**

13.6.1 Heben Sie die Kelle gerade so weit an, dass die Pfanne unter die Klingen geschoben werden kann. Mit  
Halten Sie die Klingen neben den Z-Clips und senken Sie den Finisher auf die Pfanne ab.

13.6.2 Drehen Sie die Klingen in Position unter den Z-Clips. Stellen Sie sicher, dass die  
Bei eingeschalteter Maschine werden die Messer in Fahrtrichtung gedreht

Betrieb. Oder verwenden Sie den Motor, um die Messer in Position zu bringen.

13.6.3 Befestigen Sie die Blattbefestigungen mit an der anderen Seite der Z-Clip-Halterungen  
Befestigungsknöpfe.

13.6.4 Bevor die Maschine wieder in Betrieb genommen wird, ist eine Überprüfung durchzuführen dass die Klingenkanten unter den Z-Clips befestigt sind.

13.6.5 Bevor Sie die Maschine wieder in Betrieb nehmen, prüfen Sie dies unbedingt Stellen Sie sicher, dass die Zurrurte fest über den Klingenkanten befestigt sind.

## 13.7 Ausbau der Spinnenbox

13.7.1 Sobald festgestellt wird, dass eine Anpassung erforderlich ist, entfernen Sie die

Entfernen Sie die Zahnkranzbaugruppe wie folgt von der Getriebewelle:

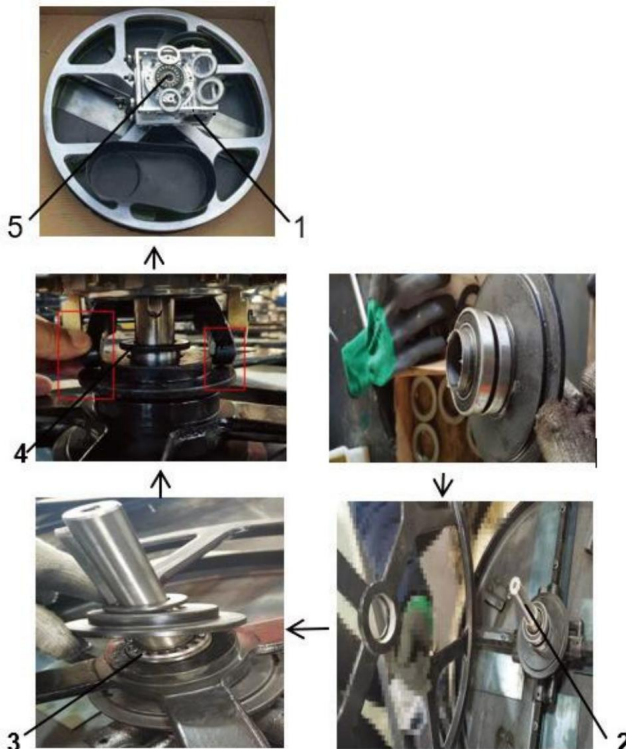
13.7.2 Entfernen Sie den durch gekennzeichneten Zerk-Anschluss und die Inbusschraube Briefe".

13.7.3 Auf der gegenüberliegenden Seite des Spider-Blocks befindet sich ein weiterer Zerk-Anschluss und Innensechskantschraube. Entfernen Sie beide Komponenten.

13.7.4 Heben Sie die obere Glättbaugruppe von der Spinnenbaugruppe ab.

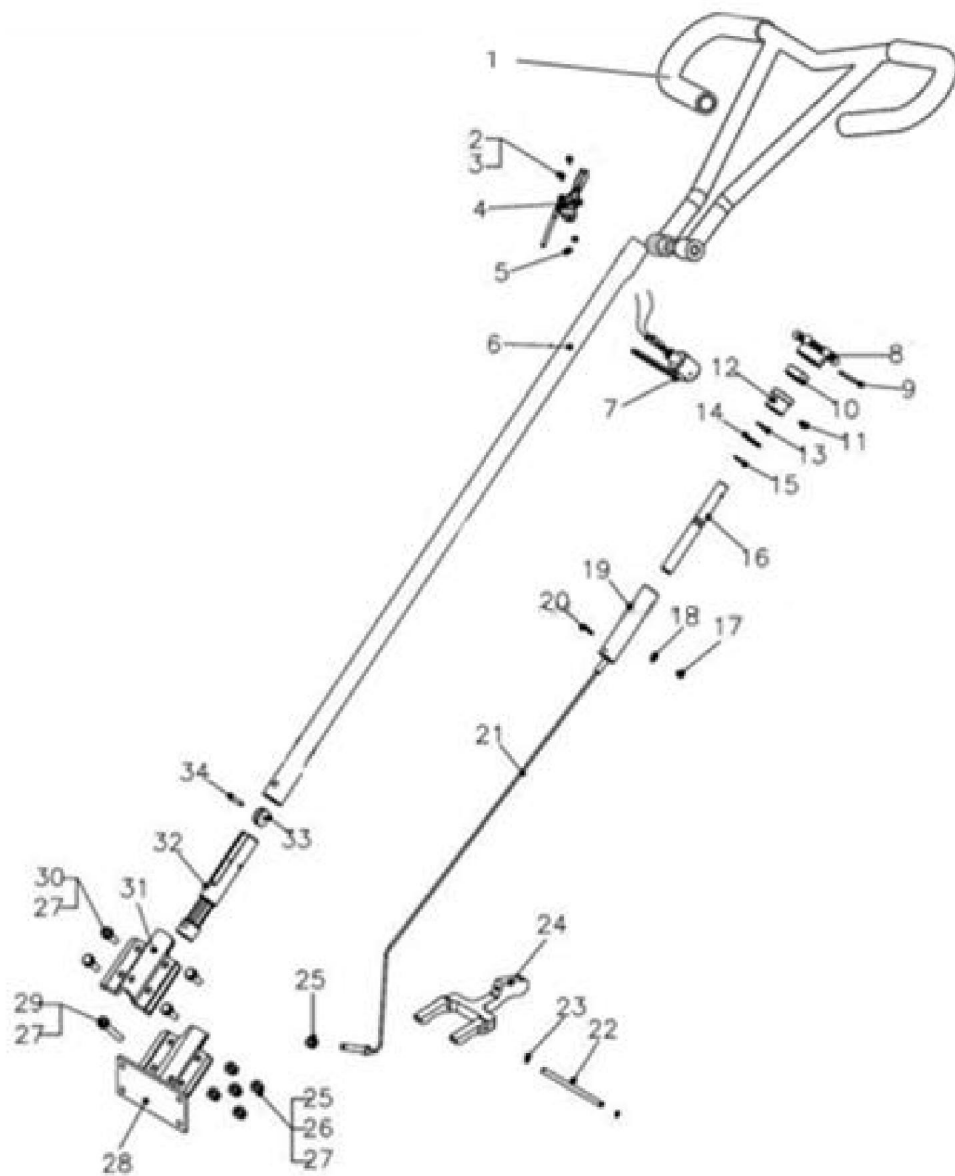
### NOTIZ

Möglicherweise ist ein leichter Schlag mit einem Gummihammer erforderlich, um die Spinne zu lösen von der Hauptwelle des Getriebes.



# 14 Teileliste

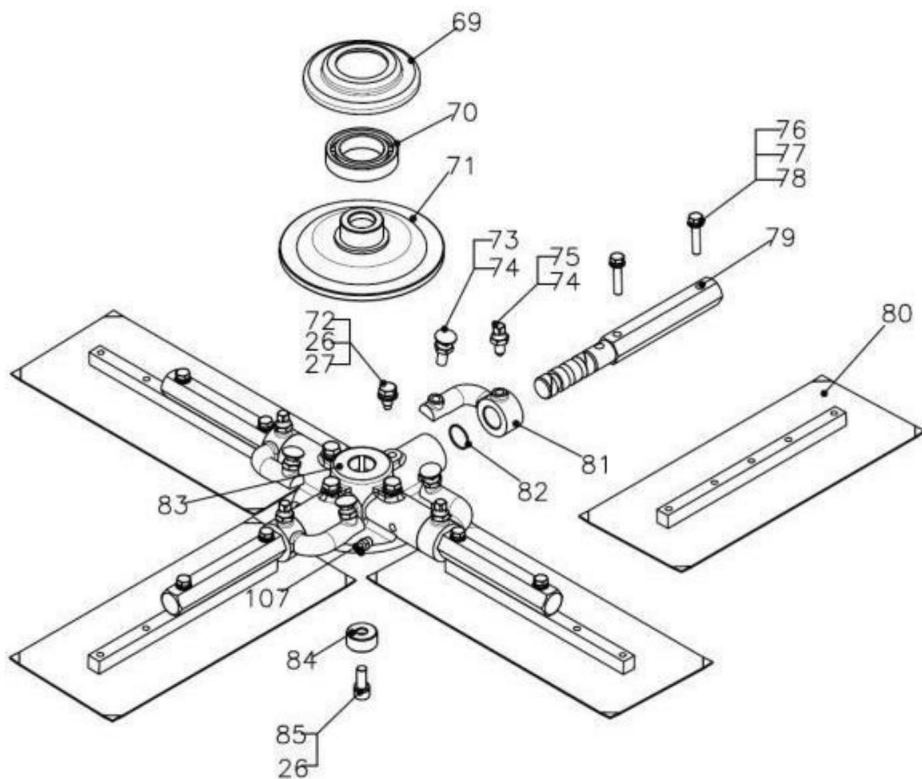
## Handhaben



REF	Teile-Nr.	Beschreibung	Menge	Dimension
1	RG-003	Plastikhülle	2	
2	QSC-M4*8	Schrauben	2	M4x8
3	QWS-PM4	Plattenwascher	2	M4
4	TSA-01	Drosselklappe.	1	
5	QNT-NM4	Nylock-	2	M4
6	W436F-001	Muttergriff WA-	1	
7	PAS-02	Stoppschalter (Entriegelungsstange). Typ)	1	
8	436F-01-001	Stellen Sie den	1	
9	QSP-5X50	Lagerbolzen	1	5x50
10	QBR-51104	des	1	
11	QBL-M6X10	Knopffederstifts ein	1	M6x10
12	436F-01-004	Aluminiumführung	1	
13	QWS-WM19	Wellenscheibe	1	M19
14	QWS-PM19	Plattenwascher	1	M19
15	QSR-S18	Sprengring	1	S18
16	436F-01-002	Schraubenrohr anpassen	1	
17	QBL-M6X8	Bolzen	1	M6X8
18	QWS-PM6	Federscheibe	1	M6
19	436F-01-003 20	Schraubenführung	1	
	QSP-5X30	Federstift	1	5X30
21	436F-01-007 WT	Stahldraht	1	
22	436F-02-004	Jocharmstift	1	
23	QSR-S10	Sprengring	2	S10
24	436F-02-003 B	Jocharm	1	
25	QNT-NM10	Nylock-Mutter	10	M10
26	QWS-SM10	Federscheibe	14	M10
27	QWS-PM10	Plattenwascher	18	M10
28	436F-02-001	Griffstützbasis	1	

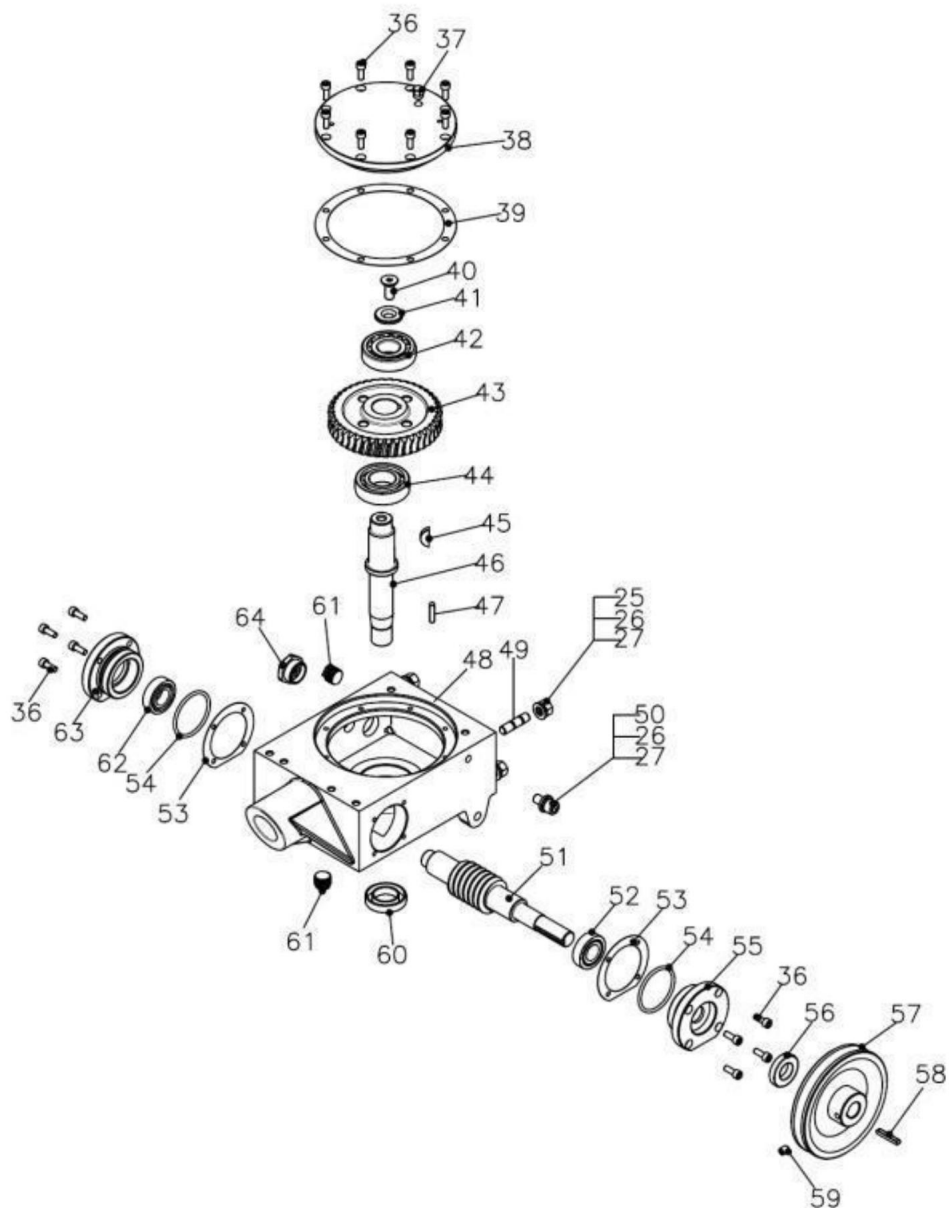
29	QBL-M10X70	Bolzen	1	M10X70
30	QBL-M10X35	Bolzen	4	M10X35
31	436F-02-002	Obere Halterung	1	
32	436F-01-005	Aluminiumjoch	1	
33	436A-01-010	Rad	1	
34	QSP-3X30	Federstift	1	3X30

## Klinge



REF	Teile Nr.	Beschreibung	Menge	Dimension
26	QWS-SM10	Federscheibe	5	M10
27	QWS-PM10	Plattenwaschmaschine	4	M10
69	436F-02-005B	Plattenkappe drücken	1	
70	QBR-6009	Lager	1	6009
71	436F-02-006B	Plattenkappe drücken	1	
72	QBL-M10X20	Bolzen	4	M10X20
73	QBL-BBM10X35	Rundkopfschraube	4	M10X35
74	QNT-TM10	Dünne Nuss	8	M10
75	QBL-SHM10X30	Vierkantschraube 76	4	
	QBL-7/16X11/2	Bolzen	8	7/16*3/2L
77	QWS-SM8	Federscheibe	8	M8
78	QWS-PM8	Plattenwascher	8	M8
79	436F-02-009B	Klingenarm	4	
80	436F-02-014	Klingenmontage	4	
81	436F-02-008	Neigungsarm	4	
82	SCHREIBEN-S22	O-Ring	4	22x1,5t
83	436F-02-007B	Spinne	1	
84	436F-02-010	Spinnenbuchse	1	
85	QBL-LM10X30	Steckbolzen	1	M10x30

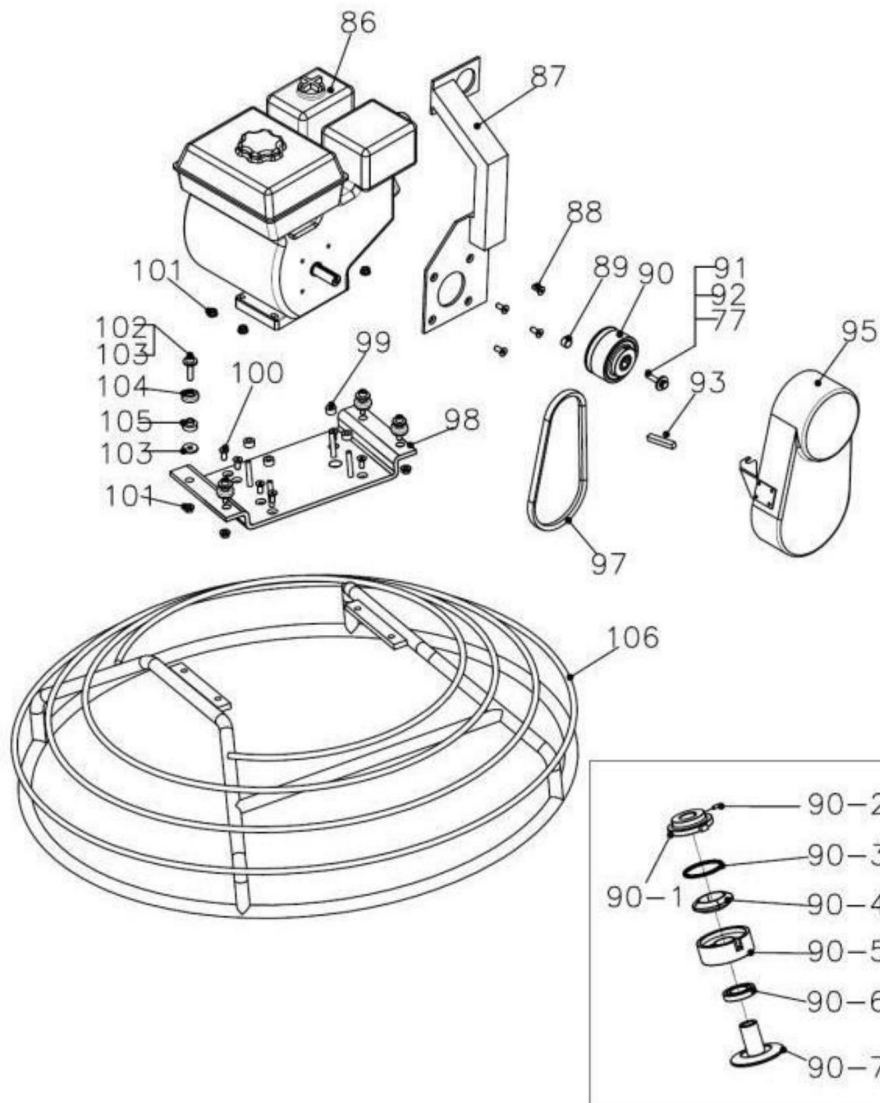
## Getriebe



REF	Teile Nr.	Beschreibung	Menge	Dimension
	436F-03	Getriebebaugruppe	1	
25	QNT-NM10	Nylock-Mutter	4	M10
26	QWS-SM10	Federscheibe	5	M10
27	QWS-PM10	Plattenwascher	5	M10
36	QBL-M6X16	Bolzen	16	M6X16L
37	QRV-M8	Ablassventil	1	
38	436F-03-004	Große Abdeckung	1	
39	436F-03-005	Dichtung der großen Abdeckung	1	
40	QBL-FHM10x25	Flachkopfschraube	1	M10x25
41	QWS-SSM10	Waschmaschine	1	M10
42	QBR-30305	Lager	1	30305
43	436F-03-008	Schneckengetriebe	1	
44	QBR-6206	Lager	1	6206
45	QKY-W6X10X25	46 Holzschlüssel	1	6X10X25
	436F-02-012	Hauptwelle	1	
47	QKY-6X25	Schlüssel	1	6X25
48	436F-03-001	Hülse	1	
49	QBL-STM10x40	Gestütsladen	4	M10x40
50	QBL-M10X16	Bolzen	1	M10X16
51	436F-03-007	Schneckenwelle	1	
52	QBR-32004	Lager	1	32004
53	436F-03-006	Dichtung der Seitenabdeckung	2	
54	SCHREIBEN-	O-Ring	2	55x3,5t
P55 55	436F-03-003	Ausgangsseitige Abdeckung	1	
56	QOS-20X40X8	Öldichtung	1	
57	436F-04-005	Rolle	1	
58	QKY-5X35	Schlüssel	1	5X35
59	QBL-M8X10	Bolzen	1	M8X10
60	QOS-27X47X10	Öldichtung	1	27X47X10
61	436A-03-008WT	Ölablass	2	
62	QBR-6004	Lager	1	6004

63	436F-03-002	Seitenabdeckung	1	
64	QOCW-M27x1,5 Ölkontrollfenster		1	M27x1,5

## Sicherheitsring



REF	Teile Nr.	Beschreibung	Menge	Dimension
77	QWS-SM8	Federscheibe		M8
86	GX160	Motor GX-160	1	
87	W436F-005	Hakenlift	1	
88	QBL-SHM8X20	Innensechskantschraube	4	
89	436F-04-013	Kupplungsbusing	1	
90	CA-01	Kupplung	1	
90-1	CA-01-004	Frontplatte	1	
90-2	QBL-AM8x16	Stellschraube	2	M8x16
90-3	CA-01-005	Kupplungsfeder	1	
90-4	CA-01-003	Schuhgewicht	1	
90-5	CA-01-002	Kupplungstrommel	1	
90-6	QBR-6006	Lager	1	6006
90-7	CA-01-001	Kupplungswelle	1	
91	QBL-M8X35	Bolzen	1	M8X35
92	QWS-SPM8	Spezial-Plattenwascher	1	M8
93	KKY-5x5x50	Schlüssel	1	5x5x50
95	436F-04-006	Riemenabdeckung	1	
97	QBT-A26	Keilriemen	1	A26
98	W436F-002	Motormontageplatte	1	
99	436F-04-107	Motorlagerbuchse	4	
100	QBL-FHM8X20	Flachkopfschraube 101	4	M8X20
	QNT-M8	Nuss	8	M8
102	QBL-LM8X40	Innensechskantschraube	4	M8X40
103	QWS-PM8		8	M8
104	436F-04-004	Tasse	4	
105	436F-04-003	Gummi	4	
106	W436F-004B	Sicherheitsring	1	



**VEVOR**®

**TOUGH TOOLS, HALF PRICE**

**Technischer Support und E-Garantiezertifikat**

**[www.vevor.com/support](http://www.vevor.com/support)**

# **VEVOR<sup>®</sup>**

**TOUGH TOOLS, HALF PRICE**

Supporto tecnico e certificato di garanzia elettronica [www.vevor.com/support](http://www.vevor.com/support)

## **CAZZUOLA POTENTE**

**MODELLO: HMR950, HMR1200**

Continuiamo a impegnarci per fornirvi strumenti a prezzi competitivi.

"Risparmia la metà", "Metà prezzo" o qualsiasi altra espressione simile da noi utilizzata rappresenta solo una stima del risparmio che potresti trarre dall'acquistare determinati strumenti con noi rispetto ai principali marchi più importanti e non significa necessariamente coprire tutte le categorie di strumenti offerti da noi. Ti ricordiamo di verificare attentamente quando effettui un ordine con noi se stai effettivamente risparmiando la metà rispetto ai migliori marchi principali.

**VEVOR**<sup>®</sup>  
TOUGH TOOLS, HALF PRICE

CAZZUOLA POTENTE

MODELLO: HMR950, HMR1200



<Solo immagine per riferimento>

**HO BISOGNO DI AIUTO? CONTATTACI!**

Hai domande sul prodotto? Hai bisogno di supporto tecnico? Non esitate a contattarci:

**Supporto**

**tecnico e certificato di garanzia elettronica [www.vevor.com/  
support](http://www.vevor.com/support)**

Queste sono le istruzioni originali, leggere attentamente tutte le istruzioni del manuale prima dell'uso. VEVOR si riserva una chiara interpretazione del nostro manuale d'uso. L'aspetto del prodotto sarà soggetto al prodotto ricevuto. Ti preghiamo di perdonarci se non ti informeremo più se sono presenti aggiornamenti tecnologici o software sul nostro prodotto.

# TUTELA IMPORTANTE



**AVVERTENZA:** leggere e comprendere l'intero manuale prima di utilizzare o sottoporre a manutenzione questo prodotto. La mancata osservanza di queste avvertenze e istruzioni può causare lesioni personali o danni a beni di valore.

## 1. Informazioni sulla sicurezza

1.1 Leggi relative ai parascintille Avviso: i codici statali di sicurezza sanitaria e i codici di risorse pubbliche specificano che in alcuni luoghi i parascintille devono essere utilizzati sui motori a combustione interna che utilizzano carburanti idrocarburi. Un parascintille è un dispositivo progettato per impedire la fuoriuscita accidentale di scintille o fiamme dallo scarico del motore. I parascintille sono qualificati e valutati dal Servizio forestale degli Stati Uniti per questo scopo.

Per rispettare le leggi locali relative ai parascintille, consultare il distributore del motore o l'amministratore locale per la salute e la sicurezza.

## 1.2 Sicurezza operativa



### AVVERTIMENTO

Per il funzionamento sicuro dell'apparecchiatura sono necessarie familiarità e formazione adeguata! L'attrezzatura utilizzata in modo improprio o da personale non addestrato può essere pericolosa! Leggere le istruzioni per l'uso contenute sia nel presente manuale che nel manuale del motore e acquisire familiarità con la posizione e l'uso corretto di tutti i comandi. Gli operatori inesperti dovrebbero ricevere istruzioni da qualcuno che abbia familiarità con l'attrezzatura prima di poter utilizzare la macchina. • **Non** consentire MAI a nessuno di utilizzare questa apparecchiatura senza un'adeguata formazione.

Le persone che utilizzano questa apparecchiatura devono avere familiarità con i rischi e i pericoli ad essa associati.

• **Non** toccare MAI il motore o la marmitta mentre il motore è acceso o immediatamente dopo che è stato spento. Queste aree si surriscaldano e possono provocare ustioni. • **Non** utilizzare MAI accessori o accessori non consigliati da

Potenza del Tomahawk. Potrebbero verificarsi danni all'apparecchiatura e lesioni all'utente. • **Non** lasciare MAI la macchina in funzione senza sorveglianza. • Assicurarsi

SEMPRE che l'operatore abbia familiarità con le opportune precauzioni di sicurezza e

tecniche operative prima di utilizzare la macchina. • Indossare

SEMPRE occhiali o occhiali protettivi approvati ANSI Z87.1

con protezioni laterali o, se necessario, una visiera. Utilizzare una maschera antipolvere in ambienti polverosi condizioni di lavoro. Utilizzare anche scarpe antinfortunistiche antiscivolo, elmetto protettivo, guanti, polvere sistemi di raccolta e, se del caso, protezioni per l'udito. Questo si applica a tutte le persone presenti nell'area di lavoro.

• Chiudere SEMPRE la valvola del carburante sui motori dotati di una valvola quando la macchina è ferma non essere operato. •

Conservare SEMPRE l'attrezzatura correttamente quando non viene utilizzata. Attrezzatura deve essere conservato in un luogo pulito e asciutto, fuori dalla portata dei bambini. • Utilizzare

SEMPRE la macchina con tutti i dispositivi di sicurezza e le protezioni in posizione

e funzionante. NON modificare o rimuovere i dispositivi di sicurezza. NON

utilizzare la macchina se i dispositivi di sicurezza o le protezioni sono mancanti o non funzionanti. • Leggere, comprendere e seguire SEMPRE le procedure contenute nel Manuale dell'operatore prima di tentare di utilizzare l'apparecchiatura.

### 1.3 Sicurezza nell'utilizzo dei motori a combustione



#### PERICOLO

I motori a combustione interna presentano rischi particolari durante il funzionamento e fare rifornimento! Leggere e seguire le istruzioni di avvertenza riportate nel manuale del proprietario del motore manuale e le linee guida di sicurezza riportate di seguito. Mancato rispetto degli avvertimenti e PERICOLO linee guida di sicurezza potrebbero provocare gravi lesioni o morte. •

**NON utilizzare la macchina all'interno o in un'area chiusa come ad esempio una profondità trincee a meno che non vi sia un'adeguata ventilazione, attraverso elementi come vengono forniti ventilatori o tubi di scarico. Scarico benzina dal motore contiene gas velenoso di monossido di carbonio; esposizione a il monossido di carbonio può causare perdita di coscienza e può portare a**

morte.

• **NON fumare mentre si utilizza la macchina.** • **NON**

**fumare durante il rifornimento del motore.** • **NON**

**rifornire di carburante il motore caldo o in funzione.**

• **NON rifornire il motore vicino a fiamme libere.** • **NON**

**versare carburante durante il rifornimento del motore.** •

**NON far funzionare il motore vicino a fiamme libere.**

• **Riempire SEMPRE il serbatoio del carburante in un'area ben**

**ventilata.** • **Riposizionare SEMPRE il tappo del serbatoio del**

**carburante dopo il rifornimento.** • **Prima controllare SEMPRE che i tubi del carburante e il serbatoio di**

**avviare il motore.** •

**NON azionare la macchina se sono presenti perdite di carburante o se i tubi del carburante sono allentati.**

#### 1.4 Sicurezza del servizio



#### AVVERTIMENTO

Un'attrezzatura inadeguatamente mantenuta può diventare un pericolo per la sicurezza! Affinché il  
apparecchiature per funzionare in modo sicuro e corretto per un lungo periodo di tempo,  
periodico

sono necessarie manutenzioni e riparazioni occasionali. • **NON**

**tentare di pulire o riparare la macchina mentre è in funzione.**

**Le parti rotanti possono causare gravi lesioni.** • **NON**

**avviare il motore ingolfato con la candela rimossa**

**motori a benzina. Il carburante intrappolato nel cilindro verrà schizzato fuori**

**l'apertura della candela.** • **NON**

**testare la scintilla sui motori a benzina, se il motore lo è**

**è allagato o è presente odore di benzina. Potrebbe accendersi una scintilla vagante  
fumi.** •

**NON utilizzare benzina o altri tipi di carburante o solventi infiammabili**

**per pulire le parti, soprattutto in ambienti chiusi. Fumi da combustibili e**

**i solventi possono diventare esplosivi.** •

**Mantenere SEMPRE l'area intorno alla marmitta libera da detriti come foglie, carta,  
cartoni, ecc. Una marmitta calda potrebbe accenderli, provocando un incendio.**

- **Sostituire SEMPRE i componenti usurati o danneggiati con pezzi di ricambio progettato e consigliato da Tomahawk Power.**
- **Scollegare SEMPRE la candela sulle macchine dotate di motori a benzina, prima della manutenzione, per evitare avviamenti accidentali.**
- **Mantenere SEMPRE la macchina pulita e le etichette leggibili. Sostituisci tutto ciò che manca ed etichette difficili da leggere. Le etichette forniscono operazioni importanti istruzioni e avvisare di pericoli e pericoli.**
- **Controllare SEMPRE la presenza di parti danneggiate prima di ogni utilizzo. Controllare attentamente che la cazzuola funzioni correttamente e svolga la funzione prevista. Sostituire immediatamente le parti danneggiate o usurate. Non utilizzare mai il cazzuola con una parte danneggiata.**
- **Ispezionare SEMPRE il massetto prima dello stoccaggio e prima riutilizzo. Conservare la cazzuola in un luogo asciutto e sicuro, fuori dalla portata di bambini quando non in uso.**
- **Utilizzare SEMPRE solo gli accessori consigliati da produttore per l'uso con la cazzuola. Accessori che potrebbero essere adatto per una cazzuola può creare rischio di lesioni se utilizzato con la attrezzatura per massetto.**
- **Mantenere SEMPRE le lame pulite quando non in uso e le protezioni in posizione funzionante.**

## **2 Informazioni sul prodotto**

### **2.1 Uso previsto**

Lasciate nel passato i laboriosi compiti di finitura manuale con Tomahawk Power Cazzuole! Densifica facilmente i pavimenti in cemento per ottenere risultati di finitura ideali su progetti che includono vialetti, scantinati e ambienti commerciali/industriali lavori.

### **2.2 Familiarizzazione con la cazzuola**

Le frattazze elettriche VEVOR sono progettate per la flottazione e la finitura di lastre di cemento. Analizza la tua cazzuola e prendi nota di ogni componente: il motore, pale, controllo rapido del passo, filtro dell'aria, interruttore di arresto centrifugo, frizione e sistema di pulegge. Assicurarsi che ci sia sempre olio nel motore.

### **2.3 Sicurezza**

Prima di utilizzare la frattazzatrice, leggere attentamente tutte le istruzioni di sicurezza. Le istruzioni di sicurezza sono disponibili in questo manuale e sul attrezzatura. Le informazioni sulla sicurezza devono rimanere in buone condizioni e leggibili. Gli operatori devono essere ben addestrati sul funzionamento e sulla manutenzione del cazzuola.

Prima di iniziare, provare la cazzuola su una sezione piana e diluita del finito calcestruzzo. Effettuare il test su una sezione priva di detriti e altri oggetti. Il test di prova aumenterà la fiducia dell'operatore, aiutandolo a familiarizzare te stesso con i comandi della cazzuola. Inoltre, questo aiuterà gli operatori capire come funziona la frattazzatrice in condizioni reali.

## 2.4 Motore

Le frattazzatrici elettriche VEVOR sono alimentate da motori Kohler. Fare riferimento al manuale del proprietario del motore per istruzioni relative al funzionamento e manutenzione del motore. Il manuale del motore è incluso nella confezione cazzuola.

## 2.5 Sistema di azionamento

La potenza viene trasferita dal motore all'albero di ingresso del cambio tramite a

Trasmissione con puleggia a cinghia trapezoidale

sistema. La puleggia si innesta utilizzando una frizione centrifuga o manuale. Fare riferimento alla sezione Parti di questo manuale per ulteriori informazioni.

## 2.6 Cambio

Il cambio si trova sotto il motore e trasferisce la potenza al rotore o gruppo spiderbox. Il cambio controlla la velocità di rotazione del cazzuola ed è dotata di due alberi (entrata e uscita).

## 2.7 Scatola del ragno

L'albero di uscita verticale del cambio si collega a un mozzo fuso chiamato scatola di ragno. Lo spiderbox ha 4 bracci che si estendono verso l'esterno e vengono utilizzati per attacco di lame o altri accessori. Ricorda: quando il cambio l'albero di uscita ruota, così come il gruppo spiderbox.

## 2.8 Lama

Le lame della cazzuola vengono utilizzate per rifinire il calcestruzzo mentre ruotano intorno alla tua superficie. Questa cazzuola include 4 lame combinate ciascuna rotore. Sono equidistanti secondo uno schema radiale e attaccati al

albero rotante verticale mediante il gruppo spider.

## 2.9 Frizione centrifuga

In caso di fuga della cazzuola (l'operatore rilascia il maniglia), la frizione centrifuga fermerà il motore e porterà la frattazzatrice in posizione a arresto completo.

## 2.10 Formazione

Per una formazione adeguata sulla formazione, fare riferimento alla sezione "ELENCO DI CONTROLLO DELLA FORMAZIONE" situata sul retro di questo manuale. Questa lista di controllo contiene un schema per operatori esperti per fornire formazione a un nuovo operatore.

# 3. Specifiche tecniche

## Cazzuola

<b>Modello</b>	HMR950	HMR1200
<b>Motore</b>	CH260	CH440
<b>Numero di lame</b>	4	4
<b>Diametro del disco</b>	38 pollici	46 pollici
<b>Angolo ottimale della lama regolazione(°)</b>	0-15	0-15

## Motore

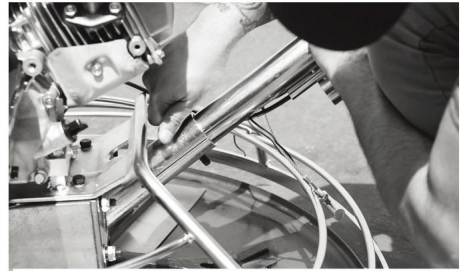
<b>Modello</b>	CH440
<b>Tipo</b>	4 tempi, albero a camme, 1 cilindro
<b>HP</b>	14
<b>Sistema di trasmissione</b>	Ingranaggio a vite senza fine e vite senza fine
<b>Consumo di carburante (g/kWh)</b>	374
<b>Velocità massima (giri/min)</b>	2800

## 4 Guida per l'utente

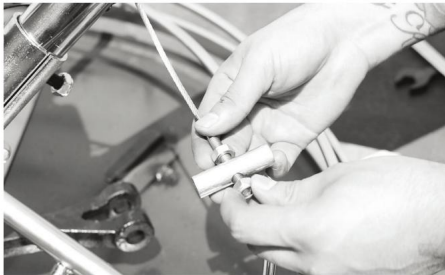
### 4.1 Configurazione rapida



Passaggio 1: inserire l'estremità della colonna del manubrio nella base del cazzuola.



Passaggio 2: inserire i bulloni e le rondelle attraverso i fori nel manubrio e fissarli con un dado.



Passaggio 3: svitare il dado dal perno e inserire il perno attraverso la base della cazzuola.



Passaggio 4: inserire la vite nel perno e fissare i dadi sulla parte superiore e inferiore per mantenerla in posizione.

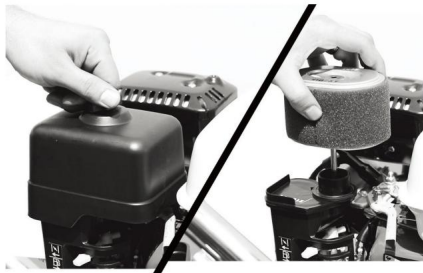


Passaggio 5: adattare il manubrio attorno all'occhio verso la parte superiore della colonna del manubrio.

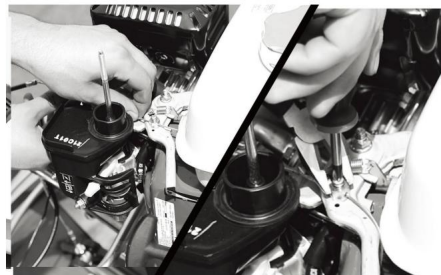


Passaggio 6: posizionare il bullone attraverso la base delle maniglie e poi fissare con un dado all'estremità.

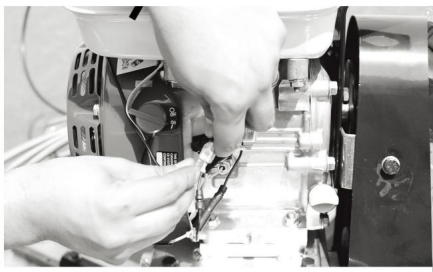
## 4.2 Guida rapida



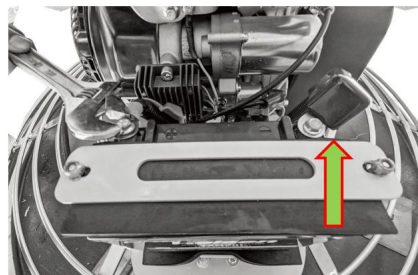
Passo:7 Per collegare il cavo dell'acceleratore, rimuovere il filtro dell'aria e il coperchio.



Passo:8 Fai passare il cavo attraverso il dado del perno e attraverso il girello fermarsi, quindi serrare la vite.



Passaggio:9 Portare il cavo del kill switch a la parte anteriore del motore e collegarlo è l'interruttore di spegnimento.

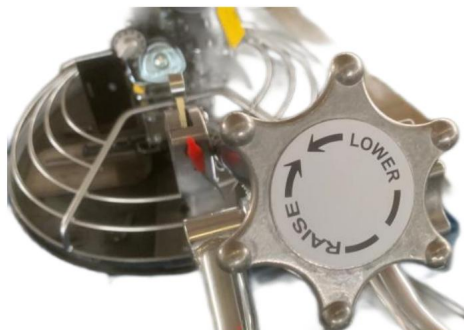


Passo:10 Fissare il positivo (rosso) e cavi motore negativi (neri). alla batteria.

## 5. Controlli e componenti

### 5.1 Maniglia

Include una "ruota a stella" per la regolazione manuale dell'angolazione della lama.



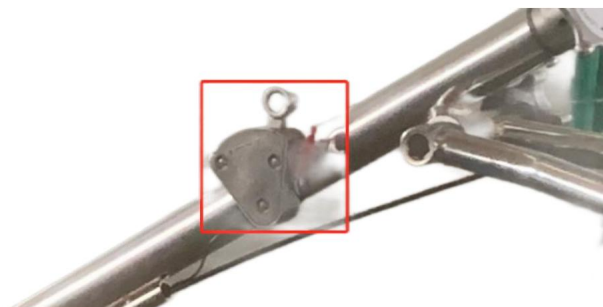
## 5.2 Maniglia pieghevole Quick Pitch Utilizza

una maniglia a leva per regolare rapidamente il passo della lama. Gestire le pieghe per riportarlo.



## 5.3 Interruttore di arresto

**centrifugo** Nel caso in cui l'operatore perda il controllo della frattazzatrice, questo interruttore spegnerà il motore.



## 5.4 Leva di controllo

**dell'acceleratore** L'acceleratore controlla la velocità del motore. Spostare la leva manuale verso l'operatore per aumentare la velocità del motore (alta), lontano dall'operatore per diminuire la velocità del motore (bassa).



## **5.5 Manubrio della bicicletta**

Il manubrio più ampio della cazzuola consente maggiore stabilità, equilibrio e manovrabilità. Sostituire le impugnature se usurate o danneggiate.

## **5.6 Motore**

Le cazzuole VEVOR utilizzano motori Kohler e sono supportati da un motore di 3 anni garanzia di un servizio affidabile.

## **5.7 Controllo del passo della lama**

Regola le lame in acciaio della cazzuola da 0 a 15 gradi per ottenere un risultato opaco e leggero finitura lucida o brillante.

## **5.8 Anello di guardia**

Non inserire MAI mani e piedi all'interno dell'anello di protezione.

## **5.9 Braccio della cazzuola**

Fornisce punti di attacco per le lame. Se le lame mostrano un'usura irregolare modelli o se le lame si consumano più velocemente di altre, potrebbe essere necessario il braccio della cazzuola da sostituire.

## **5.10 Lame**

Questa cazzuola è dotata di 4 lame combinate in acciaio temprato progettate per sia le operazioni di float che quelle di finitura. Queste lame sono intercambiabili con la maggior parte dei produttori.

### **5.11 Copertura cinghia trapezoidale**

Rimuovere questa copertura per accedere alla cinghia trapezoidale. Non azionare MAI la cazzuola con questa copertura rimossa.

## **5.12 Maniglia**

Allentare per piegare la maniglia.

# **5.2 Componenti aggiuntivi**

## **5.2.1 Anello stabilizzatore**

L'anello stabilizzatore riduce le vibrazioni del braccio della spatola e le mantiene equilibrato.

## **5.2.2 Piatto galleggiante**

Progettata per agganciarsi alle lame combinate, la vaschetta galleggiante funziona per rompersi punti alti, portando la malta in superficie e producendo un'uniforme e

solaio livellato.

### 5.2.3 Tubo di sollevamento ausiliario

Utilizzare questo tubo per sollevare la spatola su una lastra. Il tubo deve essere inserito nella presa posta davanti al cambio. Disponibile con unità selezionate.

## 6. MOTORE

### 6.1 Manutenzione

Le cazzuole VEVOR sono alimentate da motori Kohler. Il motore deve essere controllato per verificare la corretta lubrificazione e riempito di carburante prima dell'uso. Fare riferimento al manuale del motore del produttore per istruzioni e dettagli sul funzionamento e assistenza. Se dovesse sorgere un problema o se hai domande in merito al motore, consultare un rivenditore autorizzato Kohler.

## L'importanza della manutenzione

Una buona manutenzione è essenziale per un funzionamento sicuro, economico e senza problemi di operazione. Aiuterà anche a ridurre l'inquinamento.



### AVVERTIMENTO

- Una manutenzione impropria o la mancata correzione di un problema prima dell'uso possono provocare malfunzionamenti con conseguenti lesioni gravi o mortali.

Seguire sempre le raccomandazioni di ispezione e manutenzione e i programmi in questo manuale del proprietario.

Per aiutarti a prenderti cura adeguatamente del tuo motore, le pagine seguenti includono un programma di manutenzione, procedure di ispezione di routine e semplici procedure di manutenzione utilizzando strumenti manuali di base. Altri compiti di servizio che sono più difficili o richiedono strumenti speciali, è meglio gestirli con professionisti e vengono normalmente eseguiti da un tecnico Kohler o altro meccanico qualificato.

Il programma di manutenzione si applica alle normali condizioni operative. Se tu utilizzi il motore in condizioni gravose, ad esempio con carico elevato prolungato o per il funzionamento ad alta temperatura o per l'uso in condizioni insolitamente umide o polverose, consultare il rivenditore per i consigli applicabili al proprio tipo di esigenze e usi individuali.

**Manutenzione, sostituzione o riparazione dei dispositivi di controllo delle emissioni e i sistemi possono essere eseguiti da qualsiasi officina di riparazione motori o individuale, utilizzando parti "certificate" secondo gli standard EPA.**

### 6.2 Sicurezza durante la manutenzione

Seguono alcune delle più importanti precauzioni di sicurezza. Tuttavia, non possiamo avvisarti di ogni possibile pericolo che può sorgere durante l'esecuzione manutenzione. Solo tu puoi decidere se eseguire o meno un dato compito.



#### AVVERTIMENTO

**Mancata osservanza delle istruzioni e precauzioni di manutenzione può causare gravi ferite o la morte. Segui sempre il procedure e precauzioni descritte in questo manuale dell'utente.**



#### ATTENZIONE:

**Non** tentare MAI di sollevare la cazzuola da soli.

Chiedere **SEMPRE** l'assistenza di un'altra persona per sollevare la cazzuola.

### 6.2 Sicurezza durante la manutenzione Continua

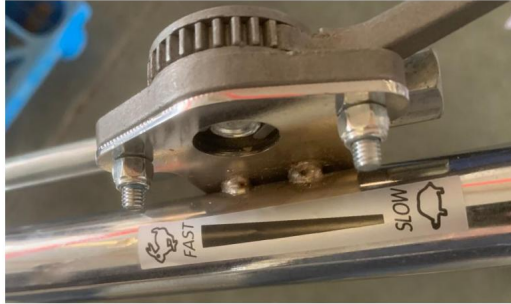
#### 6.2.1 Tappo del bocchettone di rifornimento carburante

Rimuovere questo tappo per aggiungere benzina senza piombo al serbatoio del carburante. Assicurati che il tappo del bocchettone di rifornimento del carburante sia serrato saldamente. Non riempire eccessivamente.



#### 6.2.2 Leva dell'acceleratore

La leva dell'acceleratore viene utilizzata per regolare la velocità del motore (leva avanzata avanti LENTO, leva indietro verso l'operatore VELOCE).



### 6.2.3 Interruttore ON/OFF del motore La

posizione ON consente l'avviamento del motore, la posizione OFF arresta il funzionamento del motore.



### 6.2.4 Avviamento a strappo (a fune)

Metodo di avvio manuale. Tirare l'impugnatura di avviamento finché non si avverte resistenza, quindi tirare con decisione e senza intoppi.



### 6.2.5 Livello valvola carburante

APRIRE per far fluire il carburante, CHIUDERE per interrompere il flusso di carburante.

### 6.2.6 Leva dell'aria

Utilizzata per avviare un motore freddo o in condizioni climatiche fredde, la leva dell'aria arricchisce la miscela di carburante.

### 6.2.7 Filtro dell'aria

Il filtro dell'aria impedisce l'ingresso di sporco e altri detriti nel sistema di alimentazione.

Per accedere all'elemento filtrante, rimuovere il dado ad alette sulla parte superiore del filtro dell'aria contenitore.

#### NOTA:

**Non far funzionare il motore senza filtro dell'aria, con l'aria danneggiata filtro o un filtro che necessita di sostituzione. Ciò consentirà allo sporco di entrare motore e provocarne una rapida usura.**

### 6.2.8 Candela

La candela fornisce una scintilla al sistema di accensione. Pulisci la scintilla

collegare una volta alla settimana. Impostare la distanza tra gli elettrodi su 0,6 - 0,7 mm (0,028 - 0,031 pollici).

### 6.2.9 Marmitta

La marmitta viene utilizzata per ridurre il rumore e le emissioni del motore.



#### AVVERTIMENTO

I componenti del motore possono generare calore estremo. Per evitare ustioni, **FARE NON** toccare queste aree mentre il motore è in funzione o immediatamente dopo operativo.

**Non far** funzionare MAI il motore con la marmitta rimossa.

### 6.2.10 Serbatoio del carburante

Il serbatoio del carburante contiene benzina senza piombo. Per ulteriori informazioni, fare riferimento a manuale del proprietario del motore.

## 7. ISPEZIONE PRELIMINARE

**Non** utilizzare MAI la frattazzatrice in un'area ristretta o in una struttura chiusa che non fornisce un ampio flusso d'aria libero.

Indossare **SEMPRE** occhiali e protezioni acustiche approvati prima azionando la cazzuola.

**Non** inserire MAI mani o piedi negli anelli di protezione mentre il motore è in funzione corsa.

Spegnere **SEMPRE** il motore prima di eseguire qualsiasi tipo di operazione manutenzione sulla cazzuola.

Si consiglia di utilizzare l'interruttore di arresto della cazzuola per arrestare il motore dopo ogni utilizzo. In questo modo si verificherà che l'interruttore funzioni correttamente e non presenta alcun pericolo per l'operatore.

## 7.1 Prima di iniziare

7.1.1 Leggere le istruzioni di sicurezza all'inizio di questo manuale.

7.1.2 Pulire la frattazzatrice rimuovendo sporco e polvere, in particolare nella presa d'aria di raffreddamento del motore, carburatore e filtro dell'aria.

7.1.3 Controllare il filtro dell'aria per sporco e polvere. Se il filtro dell'aria è sporco, sostituirlo con uno nuovo come richiesto.

7.1.4 Controllare il carburatore per sporco e polvere esterni. Pulirlo con asciutto aria compressa.

7.1.5 Controllare il serraggio di dadi e bulloni di fissaggio.

## 7.2 Controllo dell'olio motore

7.2.1 Per controllare il livello dell'olio motore, posizionare la frattazzatrice su una superficie sicura terreno pianeggiante con il motore spento.

7.2.2 Rimuovere l'astina di riempimento dal foro di riempimento dell'olio motore (FIG. 2) e puliscilo.

7.2.3 Inserire e rimuovere l'astina senza avvitare nel bocchettone di riempimento.

Controllare il livello dell'olio indicato sull'astina.

7.2.4 Se il livello dell'olio è basso (FIG. 3), riempire fino al bordo del foro di riempimento dell'olio con quello consigliato con olio SAE10W-30 per motori a 4 tempi. La capacità massima dell'olio è 400 cc.

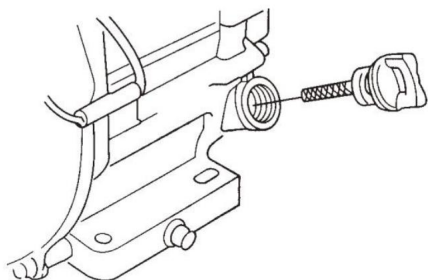


FIG.2

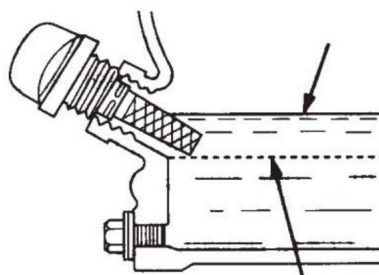


FIG.3

### 7.3 Controllo del carburante

I carburanti per motori sono altamente infiammabili e possono essere pericolosi se maneggiati in modo improprio.

NON fumare durante il rifornimento. NON tentare di rifornire di carburante la cazzuola se il motore è caldo o in funzione.

7.3.1 Rimuovere il tappo della benzina che si trova sulla parte superiore del serbatoio del carburante.

7.3.2 Ispezionare visivamente per vedere se il livello del carburante è basso. Se il carburante è basso, rifornirlo Benzina a 89 ottani.

7.3.3 Durante il rifornimento, assicurarsi di utilizzare un filtro per il filtraggio. NON rabboccare il carburante. Asciugare il carburante versato.

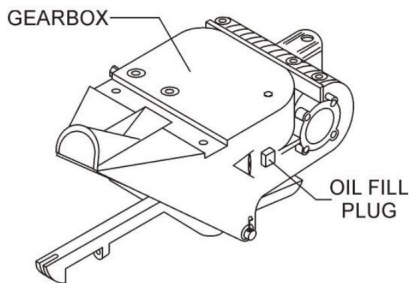


FIGURA 4

### 7.4 Olio del cambio

7.4.1 Determinare se il livello dell'olio della scatola del cambio è basso rimuovendo il tappo dell'olio situato su il lato del

riduttore. Questa spina sarà contrassegnata dalla decalcomania "check". Vedere la FIG. 4. Il

livello corretto dell'olio lubrificante deve raggiungere il fondo del tappo di riempimento.

7.4.2 Se l'olio lubrificante inizia a fuoriuscire mentre si rimuove il tappo di scarico, allora si può presumere che la quantità di olio nel cambio sia sufficiente.

7.4.3 Se l'olio lubrificante non fuoriesce durante la rimozione del tappo di scarico, riempire con olio lubrificante per cambi tipo ISO 680 finché il foro di riempimento dell'olio non trabocca.

### 7.5 Controllo della cinghia trapezoidale

Una cinghia trapezoidale usurata o danneggiata può influire negativamente sulle prestazioni del vostro cazzuola elettrica. Se una cinghia trapezoidale è difettosa o usurata, è sufficiente sostituirla come indicato nella sezione manutenzione di questo manuale.

## 7.6 Controllo della lama

Prima di iniziare, verificare la presenza di lame usurate o danneggiate. Se una lama è usurata mentre gli altri sembrano nuovi, ciò potrebbe essere dovuto a un problema di passo della pala. Fare riferimento alla sezione manutenzione di questo manuale per istruzioni su procedura di regolazione del passo della lama. Sostituire eventuali lame usurate.

## 7.7 KILL SWITCH DI SICUREZZA

Questa frattazzatrice elettrica è stata dotata di un interruttore di sicurezza. Uccisione di sicurezza gli interruttori devono essere testati ogni volta che si avvia il motore.

### NOTA

**MAI! disabilitare o disconnettere il kill switch. È previsto sicurezza dell'operatore. Potrebbero verificarsi lesioni se viene disattivato, disconnesso o mantenuto in modo improprio.**

## 7.8 MANEGGIARE PREMERE IL KILL SWITCH

Sul tubo principale dell'impugnatura è presente un interruttore rosso (FIG. 5). La commutazione Il meccanismo di questo interruttore dovrebbe funzionare liberamente e dovrebbe essere sempre mantenuto in questa condizione. Con l'interruttore in posizione OFF, il motore non dovrebbe avviare o eseguire. Lo scopo di questo interruttore è quello di arrestare il motore in caso di fuoriuscita situazione (ovvero l'operatore rilascia la maniglia durante il funzionamento).

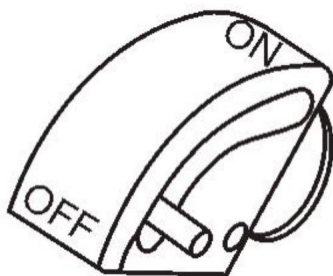


FIGURA 5

**NON** lasciare la macchina inutilizzata con il motore ad alta velocità per un periodo di tempo prolungato periodo di tempo prolungato. Ciò causerà un'usura prematura della cinghia o potrebbe distruggerla la cintura.

Impostare **SEMPRE** il regime del motore al minimo quando la frizione a mano è disinnestata.

## 8. AVVIO INIZIALE

Sollevamento della cazzuola su una lastra

### 8.1 Tubo di sollevamento ausiliario

Rimuovere il tubo di sollevamento ausiliario situato sulla parte superiore dell'impugnatura principale. Inserire il tubo nella presa posta sul lato opposto del cambio  
la maniglia. Assicurarsi che il foro nel tubo si incastri con il perno nel  
PRESA. Con una persona che solleva dalla maniglia principale e un'altra che solleva  
dal tubo di sollevamento ausiliario sollevare la macchina per portarla su una lastra.



#### AVVERTIMENTO

**La cazzuola deve essere stabilizzata dalla persona che trasporta quella dell'operatore maniglia. Se non è stabilizzato correttamente, la maniglia potrebbe oscillare e capovolgere la cazzuola, causando così danni alla cazzuola e al corpo infortunio.**

### 8.2 Sollevamento della balla

La balla di sollevamento è opzionale sulle nuove cazzuole. Fornisce un punto di sollevamento ottimale per muovendo la cazzuola. È possibile utilizzare balle di sollevamento o carrello elevatore per sollevare una cazzuola su a costruire con una gru.

Si consiglia vivamente di utilizzare una gru per spostare una macchina con una balla di sollevamento ed è perfettamente sicuro per la macchina. È necessario prestare particolare attenzione quando sollevando la macchina da terra, però. Danni gravi alla macchina o lesioni personali potrebbero essere causate dalla caduta di una cazzuola.

### 8.2 Sollevamento della balla (continua).

Questa sezione ha lo scopo di assistere l'operatore nell'avvio iniziale del cazzuola con guida da terra. È estremamente importante leggere questa sezione attentamente prima di tentare di utilizzare la cazzuola sul campo.

**NON** utilizzare la cazzuola finché questa sezione non sarà stata compresa a fondo.



#### AVVERTIMENTO

**NON tentare di utilizzare la frattazzatrice fino alla Sicurezza Generale  
Le sezioni Informazioni e Ispezione del presente manuale sono state lette  
e compreso appieno. A seconda del produttore del motore,**

**le fasi operative possono variare. Vedere il funzionamento del produttore del motore Manuale.**

## 9. AVVIAMENTO DEL MOTORE

9.1 Posizionare la leva della valvola del carburante del motore (FIG. 6) in posizione "ON".

9.2 Posizionare la leva dell'acceleratore della frattazzatrice (FIG. 1) in posizione "IDLE".

9.3 Posizionare la leva dell'aria (FIG. 7) nella posizione "CHIUSO" se si avvia a motore freddo.

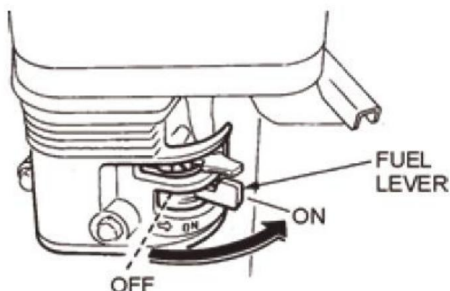


FIGURA 6

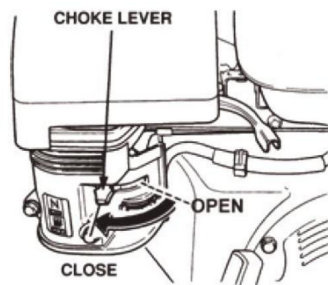


FIG.7

9.4 Posizionare la leva dell'aria (FIG. 8) nella posizione "APERTO" se si avvia una fase di riscaldamento motore o la temperatura è alta.

9.5 Posizionare l'interruttore ON/OFF del motore (FIG. 9) in posizione "ON".

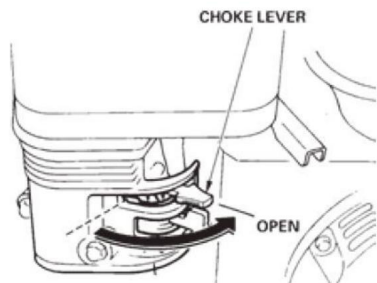


FIG.8

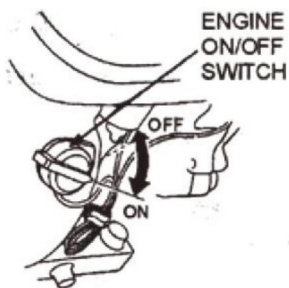


FIGURA 9

9.6 Afferrare l'impugnatura di avviamento (FIG. 10) ed estrarla lentamente. La resistenza diventa il più difficile in una certa posizione, corrispondente a

punto di compressione. Tirare l'impugnatura di avviamento con decisione e senza intoppi per avviare.

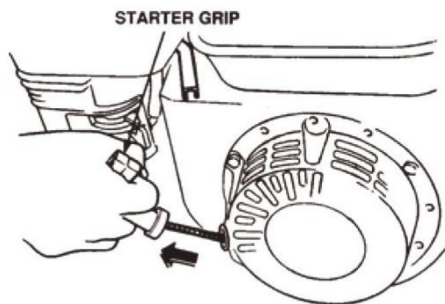


FIGURA 10

9.7 Se il motore è avviato, riportare lentamente la leva dell'aria (FIG. 7) nella posizione

Posizione aperta. Se il motore non si è avviato, ripetere i passaggi da 1 a 6.

9.8 Prima di mettere in funzione la frattazzatrice, far funzionare il motore per alcuni minuti

minuti. Verificare la presenza di perdite di carburante e rumori che potrebbero essere associati a un allentamento

Copertura o componente della cinghia trapezoidale.

9.9 Per iniziare la frattazzatura, spostare la leva dell'acceleratore (FIG. 11) verso la posizione "VELOCE".

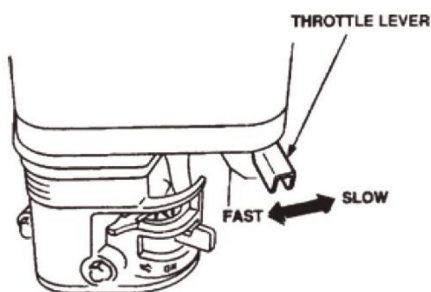


FIGURA 11

## 10. ARRESTO DEL MOTORE

10.1 Spostare la leva dell'acceleratore in posizione IDLE o SLOW (FIG. 11) e

far funzionare il motore per tre minuti a bassa velocità.

10.2 Dopo che il motore si è raffreddato, ruotare l'interruttore di avvio/arresto del motore in posizione "OFF"

(FIG. 12).

10.3 Chiudere la valvola di intercettazione del carburante (FIG. 13) spostando la leva della valvola del carburante

in posizione SPENTO.

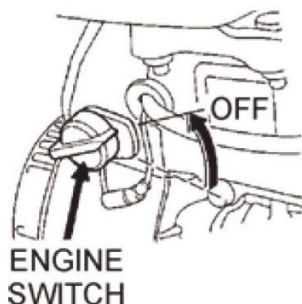


FIGURA 12

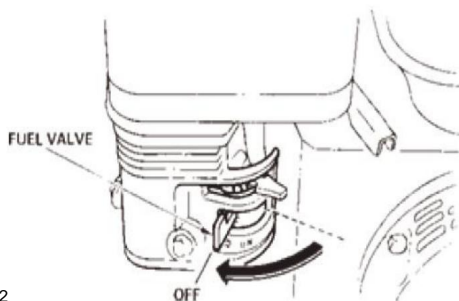


FIGURA 13

## 11. FUNZIONAMENTO

I seguenti passaggi sono intesi come guida di base al funzionamento della macchina e non devono essere considerati una guida completa alla finitura del calcestruzzo. Leggere la sezione "Formazione" di questo manuale per ulteriori informazioni.

### 11.1 Manovra della cazzuola

11.1.1 Mettersi al posto dell'operatore dietro la maniglia. Con un sicuro

Il punto d'appoggio e la presa salda sulle maniglie aumentano lentamente la velocità del motore fino ad ottenere la velocità della lama desiderata.

11.1.2 Per manovrare la cazzuola, sollevare delicatamente o premere verso il basso la principale manico della cazzuola.

Per spostare la macchina alla sinistra dell'operatore, sollevare la maniglia per spostarla la macchina verso destra, spingere verso il basso la maniglia.

11.1.3 Regolare il passo della lama sulla maniglia Standard, ruotando il passo

Regolare la rotella in senso orario o antiorario. • Per

**spostare la frattazzatrice a sinistra dell'operatore, sollevare la maniglia, a**

**spostare la cazzuola verso destra e spingere verso il basso la maniglia.**

• Ricordare! che se lasci andare la cazzuola, allontanati e lascia che

cazzuola arrestarsi completamente prima di tentare di recuperare la cazzuola. • Il metodo

migliore per rifinire il calcestruzzo è camminare lentamente all'indietro

con la cazzuola, guidando la cazzuola da un lato all'altro. Questo coprirà tutto

impronte sul cemento bagnato.

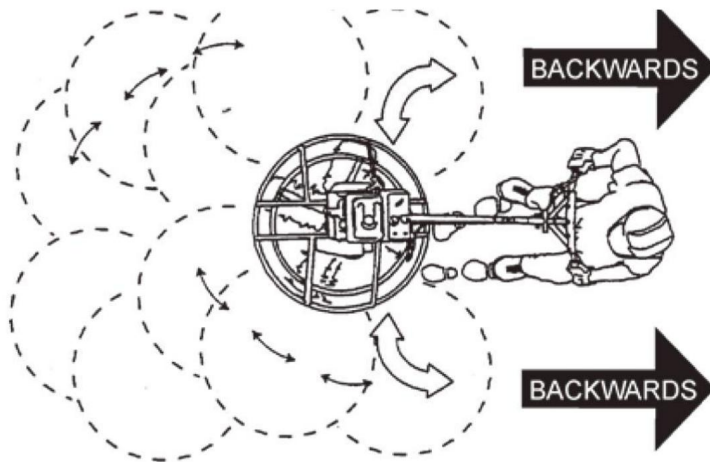


FIGURA 14



#### AVVERTIMENTO

**Non** inserire MAI i piedi o le mani all'interno degli anelli di protezione durante l'avvio o l'utilizzo di questa apparecchiatura.

Tenersi SEMPRE lontani dalle parti rotanti o in movimento durante l'utilizzo di questa apparecchiatura.

## 12. OPZIONI ACCESSORIE

### 12.1 Lame

#### NOTA

Le lame dovrebbero essere sostituite quando non riescono a rifinire il calcestruzzo in modo soddisfacente maniera.

Le lame sono una parte vitale della finitura del calcestruzzo. Questa spatola è stata progettata per rifinire il calcestruzzo ed è costruita secondo rigorosi standard di qualità con il miglior acciaio per spatola. Se hai bisogno di lame di ricambio, consulta l'elenco delle parti in questo manuale per i numeri delle parti.

#### 12.2 Lame combinate Questa

frattazzatrice era dotata di lame combinate FLOAT/FINISH (FIG. 15) come attrezzatura originale.

Queste lame sono state progettate per prestazioni ottimali sia nelle operazioni flottanti che di finitura. Questi

le lame sono versatili e dovrebbero soddisfare la maggior parte delle esigenze di cazzuola.

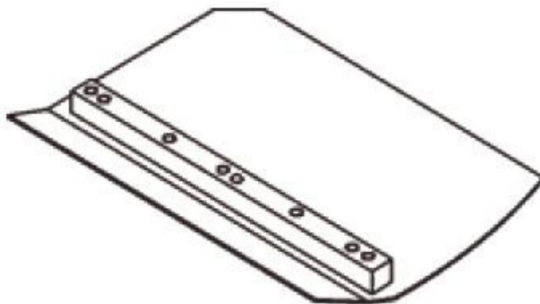


FIGURA 15

### 12.3 Lame di finitura (opzionale)

Queste lame sono state progettate specificatamente per le operazioni di finitura con questa cazzuola. Forniranno una capacità di finitura superficiale premium dalla tua cazzuola. Dovrebbero essere utilizzati solo dopo che il calcestruzzo si è solidificato al punto in cui la spatola non affonda nel calcestruzzo quando viene posizionata su di esso.

### 12.4 Pale galleggianti agganciabili (opzionali)

Queste lame si agganciano (FIG.16) a una lama installata esistente, consentendo alla finitrice di galleggiare sul cemento "bagnato" in modo che l'operazione di spatolatura possa iniziare il prima possibile. Sono facilmente rimovibili, tanto che dopo l'operazione di flottazione, quando il calcestruzzo è sufficientemente stagionato, possono essere rimossi per esporre le lame di finitura per la continuazione della spatolatura.

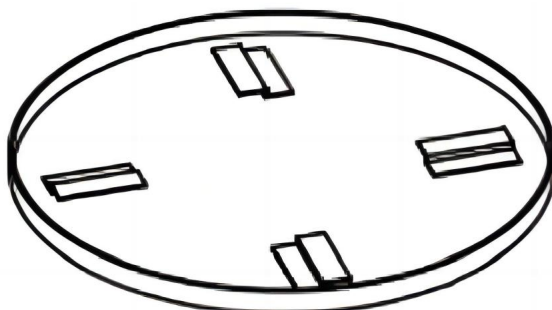


FIGURA 16

### 12.5 Dischi galleggianti (opzionali)

Questi dischi rotondi si attaccano ai ragni e consentono alla macchina di "galleggiare" sul cemento "bagnato". Il design del disco consente un movimento anticipato e facile

dalle zone umide a quelle asciutte. Sono anche molto efficaci nell'incorporamento di grandi dimensioni aggregati e indurenti superficiali.

## 13. MANUTENZIONE

### 13.1 Programma di manutenzione

#### Giornaliero (8-10 ore)

1. Controllare il livello dell'olio nel basamento del motore e nella scatola del cambio, riempire come necessario.
2. Controllare la cinghia trapezoidale.

#### Settimanale (50-60 ore)

1. Rilubrificare i bracci, il collare reggispinga e la frizione
2. Se necessario, sostituire le lame.
3. Controllare e pulire o sostituire il filtro dell'aria del motore secondo necessità.
4. Sostituire l'olio motore e il filtro secondo necessità, vedere il manuale del motore.

#### Mensile (200-300 ore)

1. Rimuovere, pulire, reinstallare e lubrificare nuovamente i bracci e il collare reggispinga. Aggiusta il bracci della lama.

#### Annuale (2000-2500 ore)

1. Controllare e sostituire, se necessario, le boccole del braccio e le boccole del collare reggispinga e guarnizioni dell'albero.
2. Controllare l'usura dei cavi di controllo del passo.
3. Regolare la velocità della lama.

### 13.2 Regolazione del braccio della lisciatrice

Utilizzare la seguente procedura per controllare e regolare i bracci della lisciatrice e verificare la presenza di componenti usurati o danneggiati quando diventa evidente che la spatola lo è con finiture scadenti o che necessitano di manutenzione ordinaria. Cerca quanto segue indicazioni. La causa potrebbe essere l'allineamento dei bracci della lisciatrice, le boccole della crociera usurate o i bracci piegati. • Le lame si consumano in modo non uniforme? Una lama è completamente usurata mentre la gli altri sembrano nuovi?

- La macchina presenta un movimento di rotolamento o rimbalzo percettibile quando è inserita?

utilizzo?

- Osservare la macchina mentre è in funzione; gli anelli di guardia "si alzano e giù" rispetto al suolo?

### 13.2.1 Posizionare la spatola su una zona PIANA E LIVELLATA.

È essenziale un'area piana e pulita per testare la cazzuola prima e dopo. Qualunque macchie non livellate nel pavimento o detriti sotto le lame della cazzuola daranno un problema percezione errata della regolazione. Idealmente, un 5 x 5 piedi. (1,5 x 1,5 metri)

Per questo è necessario utilizzare una piastra in acciaio PIANA spessa tre quarti di pollice (19 mm). test.

13.2.2 Inclinare le lame il più piatto possibile. I bulloni di regolazione dovrebbero essere tutti entrare a malapena in contatto con la piastra di usura inferiore sullo spiderbox. Se uno lo è se non si stabilisce il contatto, sarà necessario un aggiustamento. (FIG.17,FIG.4).

### 13.2 Regolazione del braccio della lisciatrice Continua

La FIG.17 illustra un "allineamento non corretto", boccole della crociera usurate o piegate bracci della cazzuola. Controllare che il bullone di regolazione tocchi appena (0,10" di gioco massimo) la piastra antiusura inferiore. Tutti i bulloni di allineamento devono essere distanziati di stessa distanza dalla piastra di usura inferiore.

1 bullone di regolazione

2 Piastra antiusura inferiore

3 Superficie

4 Effetto "Contornato" sul Calcestruzzo Finito

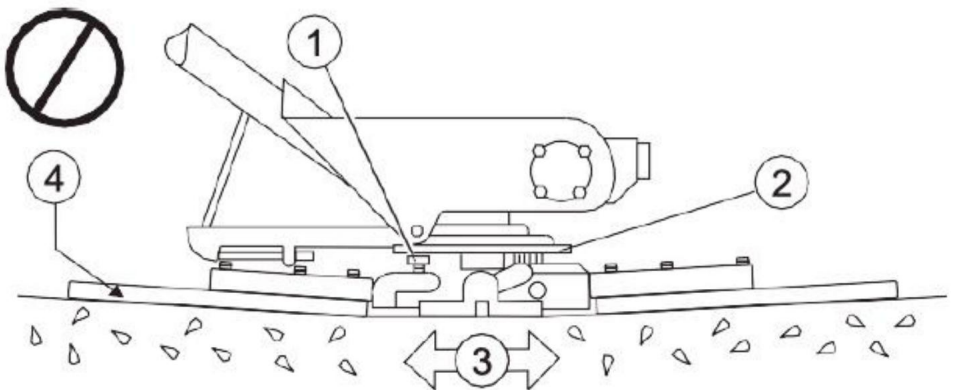


FIGURA 17

### 13.3 Rimozione della lama della cazzuola

13.3.1 Rimuovere le lame della cazzuola dal braccio della cazzuola rimuovendo le due bulloni a testa esagonale dal braccio della cazzuola. Metti da parte le lame.

13.3.2 Spazzolare con una spazzola metallica eventuali accumuli di calcestruzzo da tutti e sei i lati della spatola braccio. Ripeti l'operazione per le restanti tre braccia.

## 13.4 Riassemblaggio

13.4.1 Pulire ed esaminare le piastre di usura superiori/inferiori e spingerle collare.

13.4.2 Esaminare l'intero gruppo spider. Spazzola metallica qualsiasi cemento o accumulo di ruggine. Se si riscontra che qualche componente della spider è danneggiato o deformato, sostituirlo.

13.4.3 Reinstallare la boccia in bronzo sui bracci della frattazzatrice.

13.4.4 Ripetere i passaggi precedenti per ciascun braccio della spatola.

13.4.5 Assicurarsi che il tenditore della molla sia nella posizione corretta per esercitare tensione sul braccio della spatola.

13.4.6 Con la boccia in bronzo già installata, inserire tutti i bracci della frattazzatrice con leve nella piastra del ragno.

13.4.7 Fare attenzione ad allineare il foro per il grasso sulla boccia in bronzo con raccordo del foro per il grasso sulla piastra della crociera.

13.4.8 Bloccare i bracci della lisciatrice in posizione serrando il bullone a testa esagonale con ingrassatore zerk e controdado.

13.4.9 Reinstallare le lame sui bracci della frattazzatrice.

13.4.10 Installare l'anello stabilizzatore sul gruppo spider.



### AVVERTIMENTO

Scogliere il filo della candela dalla candela e fissarlo lontano da il motore prima di eseguire manutenzioni o regolazioni sulla macchina.

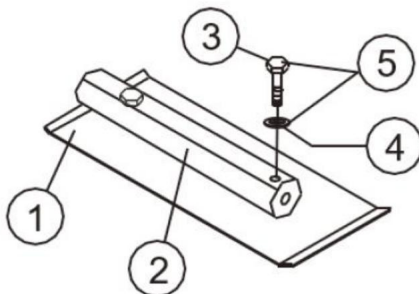
•Lama

•Braccio della lama

•Bullone a testa esagonale

•Rondella di sicurezza

•Rimuovi dal braccio



## 13.5 Modifica

FBIIGa.d1e8s

## **Soltanto**

Si consiglia di sostituire tutte le lame contemporaneamente. IL

in caso contrario la spatola potrebbe oscillare o rimbalzare.

13.5.1 Posizionare la macchina su una superficie piana e livellata. Regolare il passo della lama controllo per rendere le lame quanto più piatte possibile.

## **NOTA**

Prestare attenzione all'orientamento della lama sul braccio della spatola.

13.5.2 Rimuovere i due bulloni e bloccare le rondelle che fissano la lama il braccio della cazzuola.

13.5.3 Rimuovere la lama.

13.5.4 Utilizzando una spazzola metallica, raschiare tutte le particelle di cemento ed eliminare i detriti dal braccio della cazzuola.

13.5.5 Installare la nuova lama della cazzuola sul braccio della cazzuola. Assicurati che la lama sia installata correttamente, mantenendo il corretto orientamento per la direzione di rotazione.

13.5.6 Reinstallare i due bulloni e le rondelle di bloccaggio che fissano la lama al braccio della cazzuola. Stringere saldamente i bulloni.

13.5.7 Ripetere i passaggi per tutte le lame rimanenti.

13.6 Installazione delle pentole sulle lame della stazione di finitura



## **AVVERTIMENTO**

**Pericolo di sollevamento/schiacciamento.**

**NON sollevare la spatola con le pentole attaccate.**

**Installare SEMPRE le pentole nell'area di lavoro o in un'area adiacente a/al livello dell'area di lavoro.**

**NON sollevare la spatola quando le pentole sono attaccate.**

13.6.1 Sollevare la frattazzatrice quanto basta per far scorrere la padella sotto le lame. Con le lame adiacenti ai fermagli a Z, abbassare la finitrice sulla vaschetta.

13.6.2 Ruotare le lame in posizione sotto i fermagli a Z. Assicurarsi che il le lame vengono ruotate nella direzione di marcia quando la macchina è all'interno operazione. Oppure utilizzare il motore per ruotare le lame in posizione.

13.6.3 Attaccare i fissaggi della lama al lato opposto delle staffe con clip a Z manopole di ancoraggio.

13.6.4 Prima di rimettere in funzione la macchina, verificarne la sicurezza che i bordi della lama siano fissati sotto i fermagli a Z.

13.6.5 Prima di rimettere in funzione la macchina, verificarne la sicurezza che i fissaggi siano fissati saldamente sui bordi della lama.

### 13.7 Rimozione della scatola del ragno

13.7.1 Una volta stabilito che è necessaria una regolazione, rimuovere il gruppo spider dall'albero del cambio come segue:

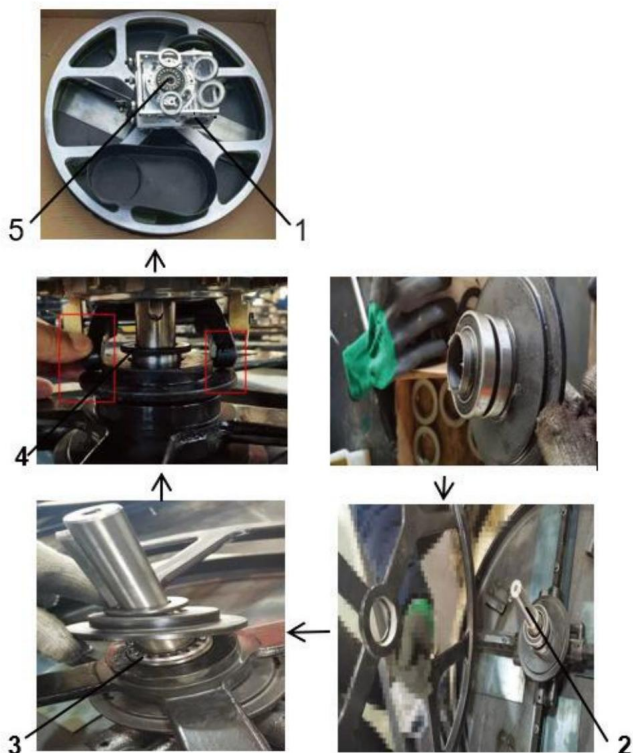
13.7.2 Rimuovere il raccordo zerk e la vite a brugola indicata dal lettera "S".

13.7.3 Sul lato opposto del blocco spider, c'è un altro raccordo zerk e vite a brugola. Rimuovere entrambi questi componenti.

13.7.4 Sollevare il gruppo frattazzo superiore dal gruppo spider.

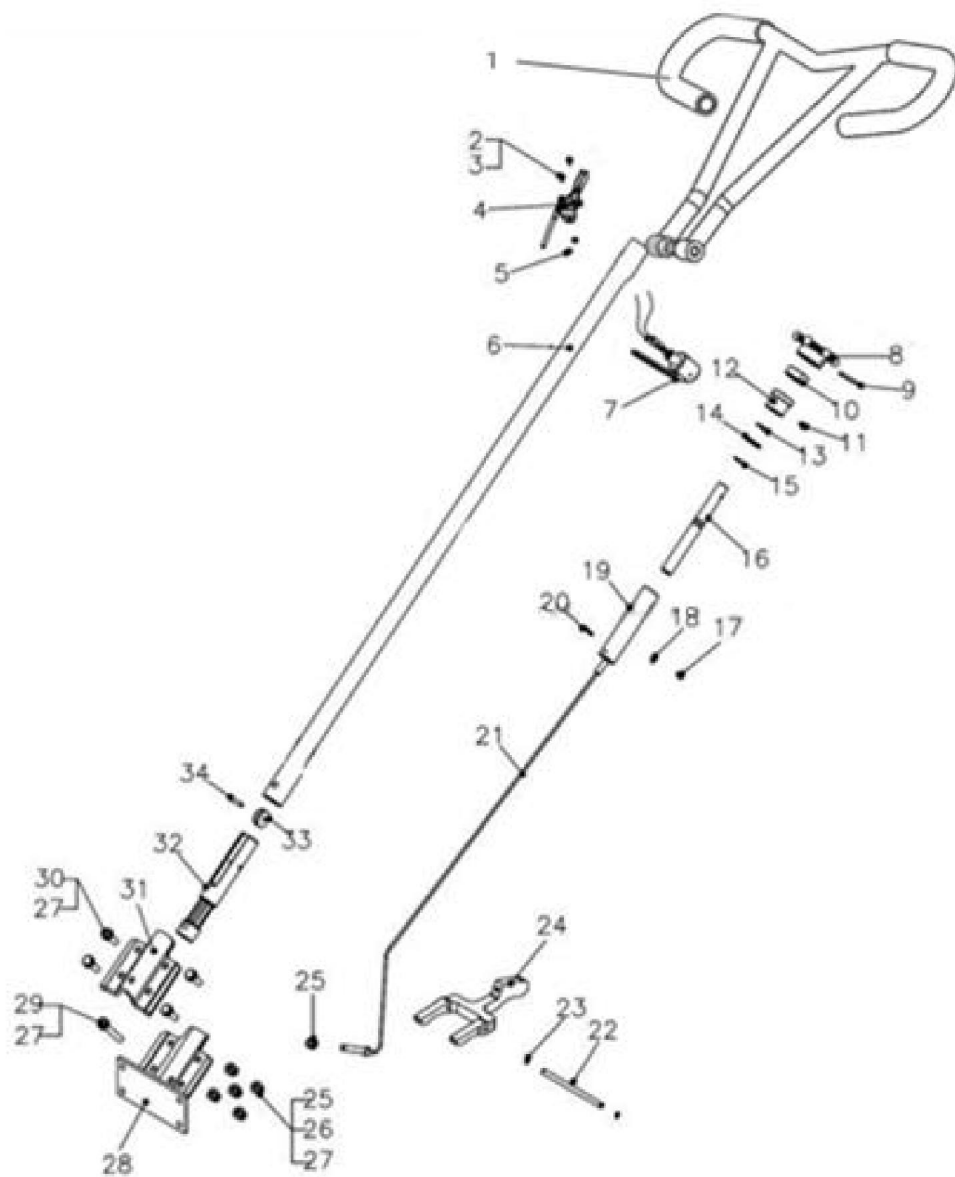
#### NOTA

Potrebbe essere necessario un leggero colpo con un martello di gomma per rimuovere il ragno dall'albero principale del cambio.



## 14 Elenco delle parti

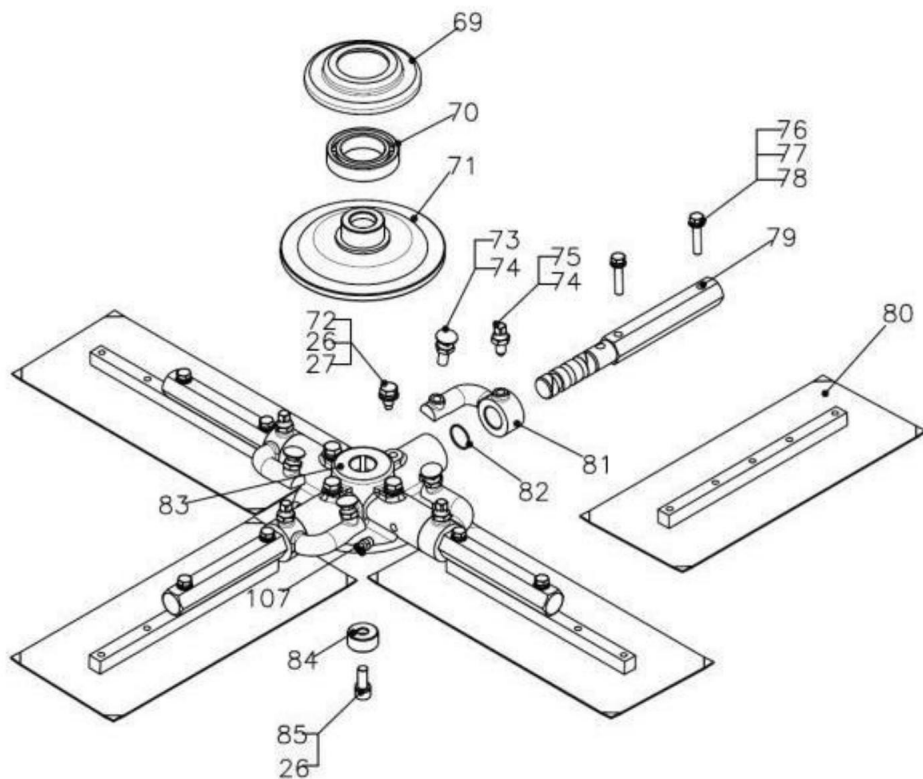
### Maniglia



RIF Parti N.	Descrizione	Dimensione	Qtà
1	RG-003	Cover di plastica	2
2	QSC-M4*8	Vite	2 M4x8
3	QWS-PM4	Lavapiatti	2 M4
4	TSA-01	Gruppo acceleratore.	1
5	QNT-NM4	Maniglia con	2 M4
6	W436F-001	dado Nylock	1
7	PAS-02	Interruttore di arresto WA (barra di rilascio Tipo)	1
8	436F-01-001	Regolare il bullone del	1
9	QSP-5X50	cuscinetto del perno	1 5x50
10	QBR-51104	a molla della	1
11	QBL-M6X10	manopola	1 M6x10
12	436F-01-004	Guida in alluminio	1
13	QWS-WM19	Rondella ondulata	1 M19
14	QWS-PM19	Lavapiatti	1 M19
15	QSR-S18	Anello a scatto	1 S18
16	436F-01-002	Regolare il tubo a vite	1
17	QBL-M6X8	Bullone	1 M6X8
18	QWS-PM6	Rondella elastica	1 M6
19	436F-01-003 20	Guida per viti	1
	QSP-5X30	Perno a molla	1 5X30
21	436F-01-007 PESO	Filo di acciaio	1
22	436F-02-004	Perno del braccio del giogo	1
23	QSR-S10	Anello a scatto	2 S10
24	436F-02-003 B	Braccio del giogo	1
25	QNT-NM10	Dado Nylock	10 M10
26	QWS-SM10	Rondella elastica	14 M10
27	QWS-PM10	Lavapiatti	18 M10
28	436F-02-001	Base di supporto della maniglia	1

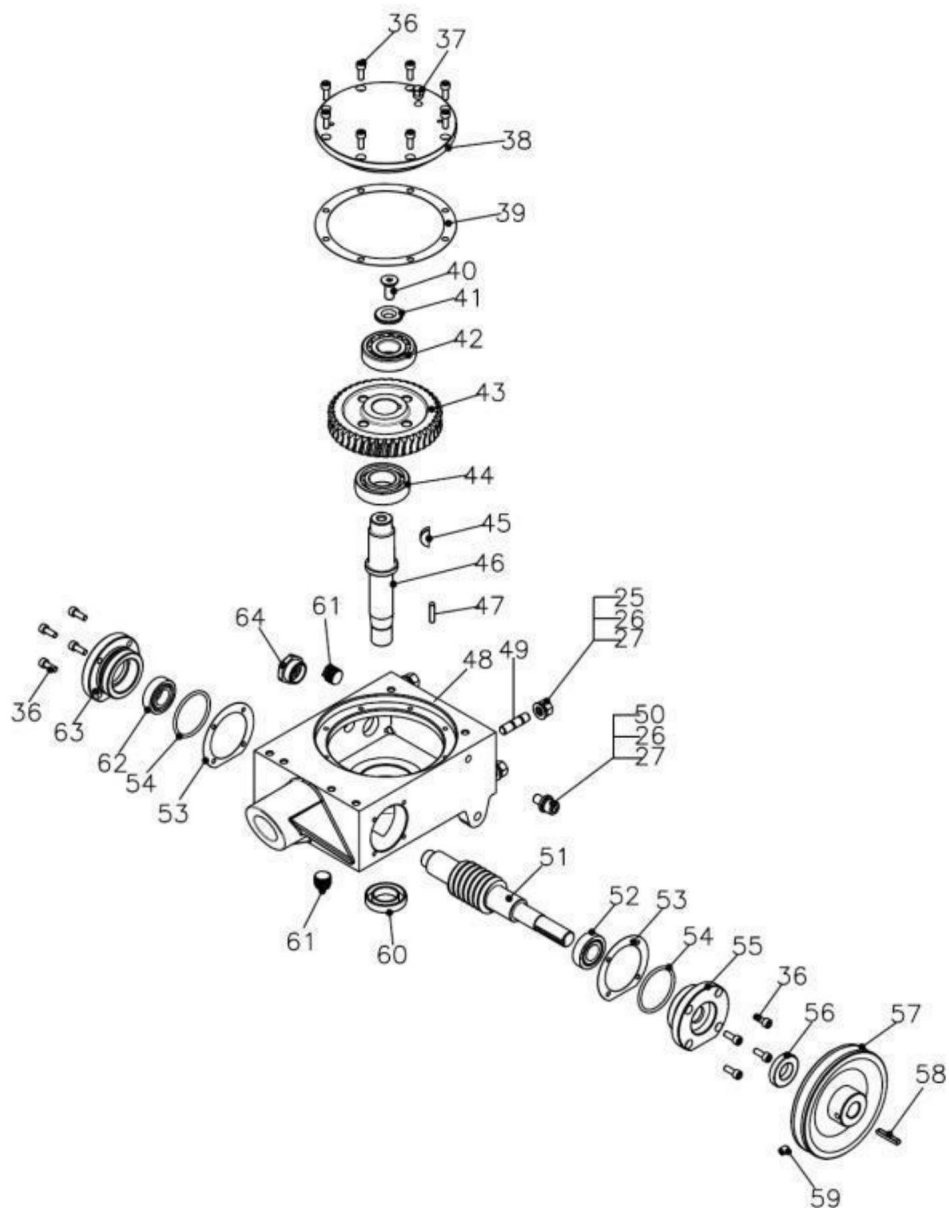
29	QBL-M10X70	Bullone	1	M10X70
30	QBL-M10X35	Bullone	4	M10X35
31	436F-02-002	Staffa superiore	1	
32	436F-01-005	Giogo in alluminio	1	
33	436A-01-010	Ruota	1	
34	QSP-3X30	Perno a molla	1	3X30

## Lama



RIF	Parti n.	Descrizione	Dimensione	Qtà
26	QWS-SM10	Rondella elastica	5	M10
27	QWS-PM10	Lavapiatti	4	M10
69	436F-02-005B	Premere il cappuccio della piastra	1	
70	QBR-6009	Cuscinetto	1	6009
71	436F-02-006B	Premere il cappuccio della piastra	1	
72	QBL-M10X20	Bullone	4	M10X20
73	QBL-BBM10X35	Bullone a testa tonda	4	M10X35
74	QNT-TM10	Noce sottile	8	M10
75	QBL-SHM10X30	Bullone a testa quadrata	4	
	QBL-7/16X11/2	Bullone	8	7/16*3/2L
77	QWS-SM8	Rondella elastica	8	M8
78	QWS-PM8	Lavapiatti	8	M8
79	436F-02-009B	Braccio a lama	4	
80	436F-02-014	Assemblaggio della lama	4	
81	436F-02-008	Braccio inclinabile	4	
82	SCRIVI-S22	O-ring	4	22x1,5t
83	436F-02-007B	Ragno	1	
84	436F-02-010	Boccola a ragno	1	
85	QBL-LM10X30	Bullone a presa	1	M10x30

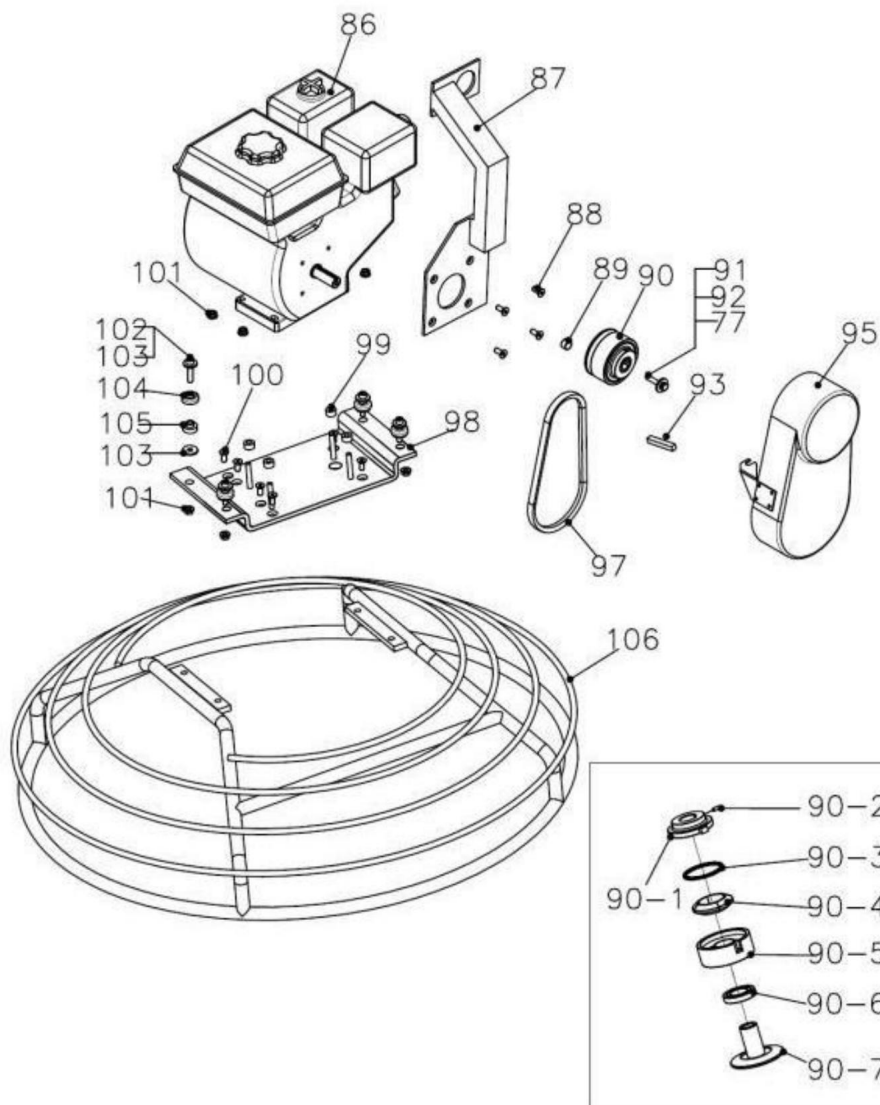
## Riduttore



RIF	Parti n.	Descrizione	Dimensione	Qtà
	436F-03	Gruppo scatola ingranaggi	1	
25	QNT-NM10	Dado Nylock	4	M10
26	QWS-SM10	Rondella elastica	5	M10
27	QWS-PM10	Lavapiatti	5	M10
36	QBL-M6X16	Bullone	16	M6X16L
37	QRV-M8	Valvola di rilascio	1	
38	436F-03-004	Grande copertina	1	
39	436F-03-005	Guarnizione del coperchio grande	1	
40	Bullone a testa piatta con esagono incassato	QBL-FHM10x25	1	M10x25
41	QWS-SSM10	Rondella	1	M10
42	QBR-30305	Cuscinetto	1	30305
43	436F-03-008	Ingranaggio a vite senza fine	1	
44	QBR-6206	Cuscinetto	1	6206
45	QKY-W6X10X25 46	Chiave di legno	1	6X10X25
	436F-02-012	Albero principale	1	
47	QKY-6X25	Chiave	1	6X25
48	436F-03-001	Conchiglia	1	
49	QBL-STM10x40	Negozi di stalloni	4	M10x40
50	QBL-M10X16	Bullone	1	M10X16
51	436F-03-007	Albero a vite senza fine	1	
52	QBR-32004	Cuscinetto	1	32004
53	436F-03-006	Guarnizione della copertura laterale	2	
54	SCRIVI-P55	O-ring	2	55x3,5t
55	436F-03-003	Coperchio lato uscita	1	
56	QOS-20X40X8	Guarnizione dell'olio	1	
57	436F-04-005	Puleggia	1	
58	QKY-5X35	Chiave	1	5X35
59	QBL-M8X10	Bullone	1	M8X10
60	QOS-27X47X10	Guarnizione dell'olio	1	27X47X10
61	436A-03-008WT	Scarico dell'olio	2	
62	QBR-6004	Cuscinetto	1	6004

63	436F-03-002	Coperchio laterale	1	
64	QOCW-M27x1.5	Finestrelle di controllo dell'olio	1	M27x1,5

## Anello di sicurezza



RIF	Parti n.	Descrizione	Dimensione	Qtà
77	QWS-SM8	Rondella elastica		M8
86	GX160	Motore GX-160	1	
87	W436F-005	Sollevatore a gancio	1	
88	QBL-SHM8X20	Bullone a testa esagonale	4	
89	436F-04-013	Bussola della frizione	1	
90	CA-01	Frizione	1	
90-1	CA-01-004	Piastra frontale	1	
90-2	QBL-AM8x16	Vite di fissaggio	2	M8x16
90-3	CA-01-005	Molla frizione	1	
90-4	CA-01-003	Peso della scarpa	1	
90-5	CA-01-002	Tamburo della frizione	1	
90-6	QBR-6006	Cuscinetto	1	6006
90-7	CA-01-001	Albero frizione	1	
91	QBL-M8X35	Bullone	1	M8X35
92		Rondella speciale per piastre QWS-SPM8	1	M8
93	QKY-5x5x50	Chiave	1	5x5x50
95	436F-04-006	Copertura della cintura	1	
97	QBT-A26	Cinghia trapezoidale	1	A26
98	W436F-002	Piastra di montaggio del motore	1	
99	436F-04-107	Boccola supporto motore	4	
100	Bullone a testa piatta QBL-FHM8X20	101	4	M8X20
	QNT-M8	Noce	8	M8
102	QBL-LM8X40	Bullone a testa esagonale	4	M8X40
103	QWS-PM8		8	M8
104	436F-04-004	Tazza	4	
105	436F-04-003	Gomma	4	
106	W436F-004B	Anello di sicurezza	1	



**VEVOR**®

**TOUGH TOOLS, HALF PRICE**

**Supporto tecnico e certificato di garanzia  
elettronica [www.vevor.com/support](http://www.vevor.com/support)**

# VEVOR<sup>®</sup>

## TOUGH TOOLS, HALF PRICE

Soporte técnico y certificado de garantía electrónica [www.vevor.com/support](http://www.vevor.com/support)

### PALETA ELÉCTRICA

MODELO: HMR950, HMR1200

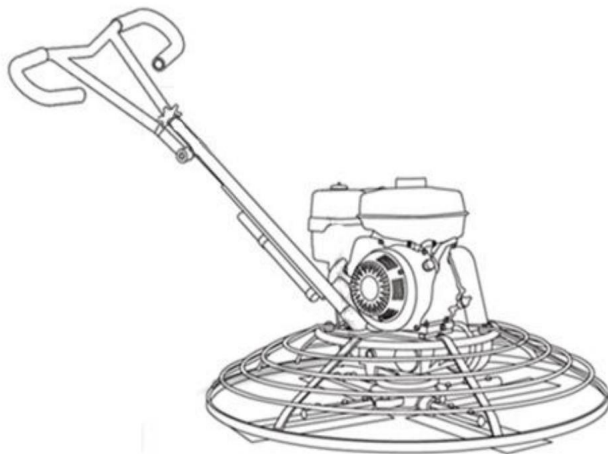
Seguimos comprometidos a proporcionarle herramientas a precios competitivos.

"Ahorre a mitad de precio", "A mitad de precio" o cualquier otra expresión similar utilizada por nosotros solo representa una estimación de los ahorros que podría beneficiarse al comprar ciertas herramientas con nosotros en comparación con las principales marcas y no significa necesariamente cubrir todas las categorías de herramientas ofrecidas por nosotros. Le recordamos que, cuando realice un pedido con nosotros, verifique cuidadosamente si realmente está ahorrando la mitad en comparación con las principales marcas.

**VEVOR**<sup>®</sup>  
TOUGH TOOLS, HALF PRICE

PALETA ELÉCTRICA

MODELO: HMR950, HMR1200



<Imagen sólo como referencia>

¿NECESITAS AYUDA? ¡CONTÁCTENOS!

¿Tiene preguntas sobre el producto? ¿Necesita soporte técnico? No dude en contactarnos:  
Soporte

técnico y certificado de garantía electrónica [www.vevor.com/support](http://www.vevor.com/support)

Estas son las instrucciones originales; lea atentamente todas las instrucciones del manual antes de operar. VEVOR se reserva una interpretación clara de nuestro manual de usuario. La apariencia del producto estará sujeta al producto que recibió. Perdone que no le informaremos nuevamente si hay actualizaciones de tecnología o software en nuestro producto.

## CONSIDERACIONES IMPORTANTES



**ADVERTENCIA:** Lea y comprenda este manual completo antes de operar o reparar este producto. El incumplimiento de estas advertencias e instrucciones puede provocar lesiones personales o daños a bienes valiosos.

### 1. Información de seguridad

#### 1.1 Leyes relativas a los parachispas Aviso: Los

códigos estatales de seguridad sanitaria y los códigos de recursos públicos especifican que en ciertos lugares se deben utilizar parachispas en motores de combustión interna que utilizan combustibles de hidrocarburos. Un parachispas es un dispositivo diseñado para evitar la descarga accidental de chispas o llamas del escape del motor. Los parachispas están calificados y clasificados por el Servicio Forestal de los Estados Unidos para este propósito.

Para cumplir con las leyes locales sobre apagachispas, consulte al distribuidor del motor o al administrador de salud y seguridad local.

#### 1.2 Seguridad operativa



#### **ADVERTENCIA**

¡Se requiere familiaridad y capacitación adecuada para el funcionamiento seguro del equipo! ¡El equipo operado incorrectamente o por personal no capacitado puede ser peligroso!

Lea las instrucciones de funcionamiento contenidas tanto en este manual como en el manual del motor y familiarícese con la ubicación y el uso adecuado de todos los controles.

Los operadores sin experiencia deben recibir instrucciones de alguien familiarizado con el equipo antes de que se les permita operar la máquina. • NUNCA permita

que nadie opere este equipo sin la capacitación adecuada.

Las personas que operan este equipo deben estar familiarizadas con los riesgos y peligros asociados con él.

• NUNCA toque el motor o el silenciador mientras el motor esté encendido o inmediatamente después de haberlo apagado. Estas áreas se calientan y pueden causar quemaduras. •

NUNCA utilice accesorios o aditamentos que no estén recomendados por

Poder Tomahawk. Podrían producirse daños al equipo y lesiones al usuario. • **NUNCA** deje la máquina funcionando desatendida. • **SIEMPRE** asegúrese de que el operador esté familiarizado con las precauciones de seguridad adecuadas y técnicas de operación antes de usar la máquina. • **SIEMPRE** use gafas de seguridad o lentes de seguridad aprobados por ANSI Z87.1 con protectores laterales, o cuando sea necesario, un protector facial. Utilice una mascarilla contra el polvo en lugares polvorientos. condiciones de trabajo. Utilice también zapatos de seguridad antideslizantes, casco, guantes, sistemas de recolección y protección auditiva cuando sea apropiado. Esto se aplica a todas las personas en el área de trabajo. •

**SIEMPRE** cierre la válvula de combustible en motores equipados con una cuando la máquina esté en funcionamiento. no siendo operado. •

**SIEMPRE** guarde el equipo correctamente cuando no esté en uso. Equipo debe almacenarse en un lugar limpio y seco fuera del alcance de los niños. • **SIEMPRE** opere la máquina con todos los dispositivos de seguridad y protecciones en su lugar. y en funcionamiento. **NO** modifique ni retire los dispositivos de seguridad. **NO** opere la máquina si algún dispositivo de seguridad o protección falta o no funciona. • **SIEMPRE** lea, comprenda y siga los procedimientos del Manual del operador antes de intentar operar el equipo.

### 1.3 Seguridad al utilizar motores de combustión



#### **PELIGRO**

Los motores de combustión interna presentan riesgos especiales durante su funcionamiento. y combustible! Lea y siga las instrucciones de advertencia en el manual del propietario del motor. manual y pautas de seguridad a continuación. No seguir las advertencias y **PELIGRO** las pautas de seguridad podrían provocar lesiones graves.

lesión o muerte. •

**NO** haga funcionar la máquina en interiores o en un área cerrada, como un lugar profundo.

zanjas a menos que haya ventilación adecuada, a través de elementos tales como

Se proporcionan extractores de aire o mangueras. Escape de gasolina del

el motor contiene gas venenoso de monóxido de carbono; exposición a

El monóxido de carbono puede causar pérdida del conocimiento y provocar

muerte.

- NO fume mientras opera la máquina. • NO fume al repostar el motor. • NO reposte combustible con el motor caliente o en marcha. • NO reposte combustible al motor cerca de llamas abiertas. • NO derrame combustible al repostar el motor. • NO haga funcionar el motor cerca de llamas abiertas.
- SIEMPRE llene el tanque de combustible en un área bien ventilada. • SIEMPRE vuelva a colocar la tapa del tanque de combustible después de repostar. • SIEMPRE revise las líneas de combustible y el tanque de combustible para detectar fugas y grietas antes arranque del motor. • NO haga funcionar la máquina si hay fugas de combustible o si las líneas de combustible están sueltas.

#### 1.4 Seguridad del servicio



#### ADVERTENCIA

¡Los equipos mal mantenidos pueden convertirse en un peligro para la seguridad! Para que el equipo funcione de forma segura y adecuada durante un largo período de tiempo,

Es necesario realizar mantenimiento y reparaciones ocasionales. • NO intente limpiar ni reparar la máquina mientras esté funcionando.

Las piezas giratorias pueden causar lesiones graves. •

NO arranque un motor ahogado con la bujía quitada.

Motores propulsados por gasolina. El combustible atrapado en el cilindro saldrá a chorros la abertura de la bujía. • NO realice pruebas de chispa en motores a gasolina, si el motor está inundado o hay olor a gasolina. Una chispa perdida podría encenderse vapores.

• NO utilice gasolina u otros tipos de combustibles o disolventes inflamables.

para limpiar piezas, especialmente en áreas cerradas. Humos de combustibles y Los disolventes pueden volverse explosivos. •

SIEMPRE mantenga el área alrededor del silenciador libre de residuos como hojas, papel, cartones, etc. Un silenciador caliente podría encenderlos y provocar un incendio.

- SIEMPRE reemplace los componentes desgastados o dañados con repuestos Diseñado y recomendado por Tomahawk Power.
- SIEMPRE desconecte la bujía en máquinas equipadas con motores de gasolina, antes de darles servicio, para evitar arranques accidentales.
- Mantenga SIEMPRE la máquina limpia y las etiquetas legibles. Reemplazar todos los que faltan y etiquetas difíciles de leer. Las etiquetas proporcionan información operativa importante. instrucciones y advertir de peligros y peligros.
- SIEMPRE revise si hay piezas dañadas antes de cada uso. comprobar cuidadosamente que la paleta funcionará correctamente y realizará su función prevista. Reemplace las piezas dañadas o desgastadas inmediatamente. Nunca opere el paleta con una parte dañada.
- SIEMPRE inspeccione la regla antes de almacenarla y antes de reutilizar. Guarde la paleta en un lugar seco y seguro fuera del alcance de niños cuando no esté en uso.
- SIEMPRE utilice sólo accesorios recomendados por el fabricante para usar con la paleta. Accesorios que pueden ser Adecuado para una llana puede crear un riesgo de lesiones cuando se utiliza con la equipo de regla.
- SIEMPRE mantenga las hojas limpias cuando no estén en uso y los protectores en su lugar y En orden de trabajo.

## 2 Información del producto

### 2.1 Uso previsto

Deje en el pasado las laboriosas tareas de acabado manual con Tomahawk Power ¡Paletas! Densifique los pisos de concreto con facilidad para obtener resultados de acabado ideales en proyectos que incluyen entradas de vehículos, sótanos y espacios comerciales/industriales trabajos.

### 2.2 Familiarización con la paleta

Las allanadoras VEVOR están diseñadas para el flotado y acabado de losas de hormigón. Analice su llana y observe cada componente: el motor, cuchillas, control de paso rápido, filtro de aire, interruptor de parada centrífugo, sistema de embrague y polea. Asegúrese de que siempre haya aceite en el motor.

### 2.3 Seguridad

Antes de utilizar su allanadora eléctrica, lea atentamente todas las instrucciones de seguridad. Las instrucciones de seguridad están disponibles en todo este manual y en la equipo. La información de seguridad debe permanecer en buenas condiciones y legible. Los operadores deben estar bien capacitados en las operaciones y mantenimiento del paleta.

Antes de comenzar, pruebe la paleta en una sección plana y diluida con agua del acabado. concreto. Pruebe en una sección que esté libre de escombros y otros objetos.

La prueba de funcionamiento aumentará la confianza del operador y al mismo tiempo ayudará a familiarizarse usted mismo con los controles de la paleta. Además, esto ayudará a los operadores comprender cómo funciona la allanadora eléctrica en condiciones reales.

## 2.4 motor

Las allanadoras eléctricas de VEVOR funcionan con motores Kohler. Referirse a manual del propietario del motor para obtener instrucciones sobre el funcionamiento y mantenimiento de su motor. El manual del motor se incluye con su paleta.

## 2.5 Sistema de accionamiento

La potencia se transfiere desde el motor al eje de entrada de la caja de cambios a través de un

Transmisión por polea con correa trapecoidal

sistema. La polea se acopla mediante un embrague centrífugo o manual. Consulte la sección Piezas de este manual para obtener más información.

## 2.6 Caja de cambios

La caja de cambios está ubicada debajo del motor y transfiere potencia al rotor. o conjunto de caja de araña. La caja de cambios controla la velocidad de rotación del paleta y está equipada con dos ejes (entrada y salida).

## 2.7 Caja araña

El eje de salida vertical de la caja de cambios se conecta a un cubo fundido llamado caja de araña. La spiderbox tiene 4 brazos que se extienden hacia afuera y que se usan para fijación de cuchillas u otros accesorios. Recuerde: cuando la caja de cambios El eje de salida gira, al igual que el conjunto de la caja de araña.

## 2.8 Cuchillas

Las hojas de la paleta se utilizan para terminar el hormigón mientras giran. alrededor de su superficie dada. Esta paleta incluye 4 hojas combinadas por rotor. Están igualmente espaciados en un patrón radial y unidos al

eje giratorio vertical mediante el conjunto de araña.

## 2.9 Embrague centrífugo

En caso de que la paleta se desboque (el operador suelta el mango), el embrague centrífugo detendrá el motor y llevará la allanadora a una parada completa.

## 2.10 Entrenamiento

Para obtener una educación de capacitación adecuada, consulte la sección "LISTA DE VERIFICACIÓN DE ENTRENAMIENTO" ubicada en la parte posterior de este manual. Esta lista de verificación contiene una esquema para que un operador experimentado brinde capacitación a un nuevo operador.

## 3. Especificaciones técnicas

### Paleta

Modelo	HMR950	HMR1200
Motor	CH260	CH440
Número de palas	4	4
Diámetro del disco	38 pulgadas	46 pulgadas
Ángulo óptimo de la hoja ajuste(°)	0-15	0-15

### Motor

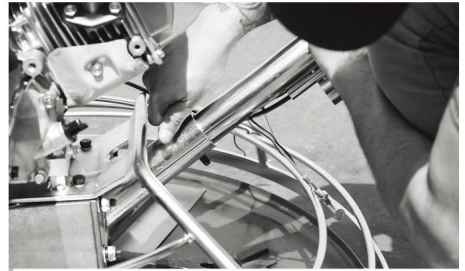
Modelo	CH440
Tipo	4 tiempos, árbol de levas escuchado, 1 cilindro
<small>capacidad de torque</small>	14
Sistema de transmisión	Engranaje helicoidal y gusano
El consumo de combustible (g/kWh)	374
Velocidad máxima (r/min)	2800

## 4 guía de usuario

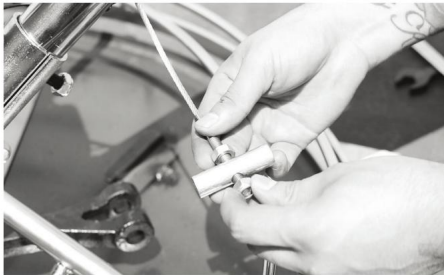
### 4.1 Configuración rápida



Paso 1: Inserte el extremo de la columna del manillar en la base del paleta.



Paso 2: Inserte los pernos y las arandelas a través de los orificios del manillar y fíjelos con una tuerca.



Paso 3: Desenrosque la tuerca del pasador e inserte el pasador a través de la base de la paleta.



Paso 4: Coloque el tornillo a través del pasador y apriete las tuercas en la parte superior e inferior para mantenerlo en su lugar.

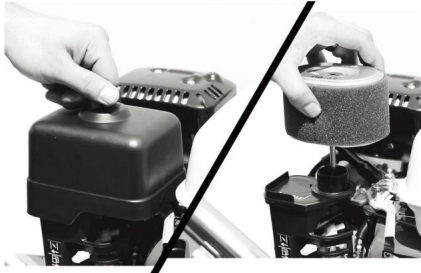


Paso 5: Coloque las barras del manillar alrededor del ojo hacia la parte superior de la columna del manillar.



Paso 6: Coloque el perno a través de la base de las manijas y luego fijar con una tuerca en el extremo.

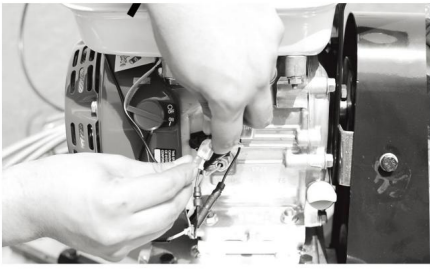
## 4.2 Guía de inicio rápido



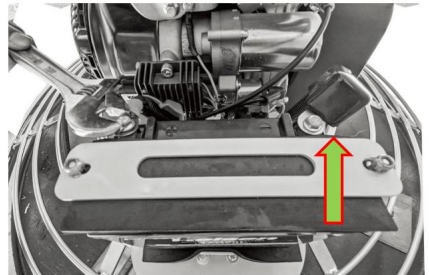
Paso:7 Para conectar el cable del acelerador, retire el filtro de aire y la cubierta.



Paso:8 Pase el cable a través del tuerca de pivote y a través del pivote deténgase y luego apriete el tornillo.



Paso:9 Lleve el cable del interruptor de apagado a la parte delantera del motor y conecte es el interruptor de apagado.



Paso:10 Sujete el positivo (rojo) y cables negativos (negros) del motor a la batería.

## 5. Controles y componentes

### 5.1 Mango

Incluye una "rueda de estrella" para ajustar manualmente el ángulo de la hoja.



### 5.2 Mango plegable de paso rápido Emplea un

mango de palanca para ajustar rápidamente el paso de la hoja. Mango plegable para almacenamiento.



### 5.3 Interruptor de apagado centrífugo

En caso de que el operador pierda el control de la allanadora, este interruptor apagará el motor.



### 5.4 Palanca de control del acelerador

El acelerador controla la velocidad del motor. Mueva la palanca manual hacia el operador para aumentar la velocidad del motor (alta), alejándola del operador para disminuir la velocidad del motor (baja).



## 5.5 Manillar de bicicleta

Los manillares más anchos de la paleta permiten una mayor estabilidad, equilibrio y maniobrabilidad. Reemplace las empuñaduras si se desgastan o dañan.

## 5.6 motor

Las Llanas de VEVOR utilizan motores Kohler y están respaldadas por un motor de 3 años garantía para un servicio confiable.

## 5.7 Control de paso de las palas

Ajuste las hojas de acero de la llana de 0 a 15 grados para lograr un acabado mate y ligero. acabado brillante o reluciente.

## 5.8 Anillo protector

NUNCA ponga las manos y los pies dentro del anillo de protección.

## 5.9 Brazo de paleta

Proporciona puntos de fijación para las cuchillas. Si las cuchillas muestran un desgaste desigual patrones o si las hojas se desgastan más rápido que otras, es posible que sea necesario ser reemplazado.

## 5.10 Cuchillas

Esta paleta está equipada con 4 hojas combinadas de acero endurecido diseñadas para operaciones de flotación y finalización. Estas cuchillas son intercambiables con la mayoría de los fabricantes.

### 5.11 Cubierta de correa trapezoidal

Retire esta cubierta para tener acceso a la correa trapezoidal. NUNCA opere la paleta con esta cubierta quitada.

## 5.12 Mango

Afloje para doblar la manija.

# 5.2 Componentes adicionales

## 5.2.1 Anillo estabilizador

El anillo estabilizador reduce las vibraciones del brazo de la allanadora y lo mantiene equilibrado.

## 5.2.2 Bandeja flotante

Diseñado para engancharse a las cuchillas combinadas, el plato flotante funciona para descomponerse. puntos altos, llevando el mortero a la superficie y produciendo una capa uniforme y

losa nivelada.

### 5.2.3 Tubo de elevación auxiliar

Utilice este tubo para levantar la paleta sobre una losa. El tubo debe insertarse en el toma situada delante de la caja de cambios. Disponible con unidades seleccionadas.

## 6. MOTOR

### 6.1 Servicio

Las allanadoras VEVOR funcionan con motores Kohler. El motor debe ser

Se revisa la lubricación adecuada y se llena con combustible antes de la operación. Referirse

Consulte el manual del motor del fabricante para obtener instrucciones y detalles de funcionamiento.

y servicio. Si surge algún problema o si tiene alguna pregunta sobre

su motor, consulte a un distribuidor de servicio autorizado Kohler.

## La importancia del mantenimiento

Un buen mantenimiento es esencial para un funcionamiento seguro, económico y sin problemas.

operación. También ayudará a reducir la contaminación.



### ADVERTENCIA

- Un mantenimiento inadecuado o la falta de corrección de un problema antes de la operación pueden causar un mal funcionamiento en el que usted puede sufrir lesiones graves o incluso la muerte.

Siga siempre las recomendaciones de inspección y mantenimiento y horarios en este manual del propietario.

Para ayudarle a cuidar adecuadamente su motor, las siguientes páginas incluyen una programa de mantenimiento, procedimientos de inspección de rutina y sencillos

Procedimientos de mantenimiento utilizando herramientas manuales básicas. Otras tareas de servicio que son más difíciles o requieren herramientas especiales, son mejor manejados por profesionales y normalmente los realiza un técnico de Kohler u otro mecánico calificado.

El programa de mantenimiento se aplica a condiciones normales de funcionamiento. Si usted

opere su motor bajo condiciones severas, tales como carga alta sostenida

o operación a alta temperatura, o uso en condiciones inusualmente húmedas o polvorientas, consulte a su distribuidor de servicio para obtener recomendaciones aplicables a su necesidades y usos individuales.

Mantenimiento, reemplazo o reparación de los dispositivos de control de emisiones. y los sistemas pueden ser realizados por cualquier establecimiento de reparación de motores. o individual, utilizando piezas que estén "certificadas" según las normas de la EPA.

## 6.2 Seguridad del mantenimiento

A continuación se presentan algunas de las precauciones de seguridad más importantes. Sin embargo, no podemos advertirle de todos los peligros imaginables que puedan surgir al realizar mantenimiento. Sólo usted puede decidir si debe o no realizar una tarea dada.



### ADVERTENCIA

No seguir adecuadamente las instrucciones y precauciones de mantenimiento. puede causarle lesiones graves o la muerte. Siga siempre el procedimientos y precauciones en este manual del propietario.



### PRECAUCIÓN:

NUNCA intente levantar la paleta usted mismo.

SIEMPRE obtenga ayuda de otra persona para ayudar a levantar la paleta.

## 6.2 Seguridad del mantenimiento (Continuación)

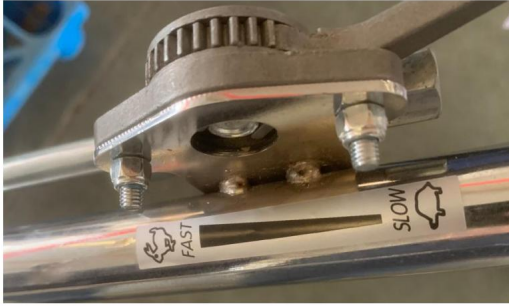
### 6.2.1 Fuel Filler Cap

Retire esta tapa para agregar gasolina sin plomo al tanque de combustible. Asegúrate que La tapa de llenado de combustible está bien apretada. No llene demasiado.



### 6.2.2 Palanca del acelerador

La palanca del acelerador se utiliza para ajustar la velocidad de RPM del motor (palanca avanzada avance LENTO, palanca hacia atrás hacia el operador RÁPIDO).



### 6.2.3 El interruptor ON/OFF del motor La posición

ON permite arrancar el motor, la posición OFF detiene el funcionamiento del motor.



### 6.2.4 Arrancador de retroceso (cuerda de tracción)

Método de arranque manual. Tire de la empuñadura de arranque hasta que sienta resistencia, luego tire enérgica y suavemente.



### 6.2.5 Nivel de la válvula de combustible

ABRIR para permitir que fluya el combustible, CERRAR para detener el flujo de combustible.

### 6.2.6 Palanca del

estrangulador Utilizado al arrancar un motor frío o en condiciones de clima frío, el estrangulador enriquece la mezcla de combustible.

### 6.2.7 Filtro de aire

El filtro de aire evita que entre suciedad y otros desechos al sistema de combustible.

Para acceder al elemento filtrante, retire la tuerca de mariposa en la parte superior del filtro de aire. frasco.

NOTA:

No opere el motor sin filtro de aire, con un filtro de aire dañado.

filtro o un filtro que necesita ser reemplazado. Esto permitirá que entre suciedad en el motor y provocar un rápido desgaste del mismo.

### 6.2.8 Bujía

La bujía proporciona una chispa al sistema de encendido. Limpiar la chispa

enchufe una vez por semana. Ajuste la distancia de la bujía a 0,6 - 0,7 mm (0,028 - 0,031 pulg.).

### 6.2.9 Silenciador

El silenciador se utiliza para reducir el ruido y las emisiones del motor.



**ADVERTENCIA**

Los componentes del motor pueden generar calor extremo. Para evitar quemaduras, HAGA NO toque estas áreas mientras el motor esté en marcha o inmediatamente después operando.

NUNCA opere el motor sin el silenciador.

### 6.2.10 Tanque de combustible

El tanque de combustible contiene gasolina sin plomo. Para obtener más información, consulte la manual del propietario del motor.

## 7. INSPECCIÓN PREVIA

NUNCA opere la allanadora eléctrica en un área confinada o estructura cerrada. que no proporciona un amplio flujo libre de aire.

SIEMPRE use gafas y protección auditiva aprobadas antes operar la paleta.

NUNCA coloque las manos o los pies dentro de los anillos protectores mientras el motor está en marcha. correr.

SIEMPRE apague el motor antes de realizar cualquier tipo de mantenimiento de la llana.

Se recomienda utilizar el interruptor de apagado de la allanadora para detener el motor. después de cada uso. Hacer esto verificará que el interruptor esté funcionando correctamente y no presenta ningún peligro para el operador.

## 7.1 Antes de comenzar

7.1.1 Lea las instrucciones de seguridad al principio de este manual.

7.1.2 Limpie la allanadora quitando la suciedad y el polvo, particularmente en la Entrada de aire de refrigeración del motor, carburador y filtro de aire.

7.1.3 Revise el filtro de aire en busca de suciedad y polvo. Si el filtro de aire está sucio, reemplácelo con uno nuevo según sea necesario.

7.1.4 Revise el carburador en busca de suciedad y polvo externos. Límpielo con seco aire comprimido.

7.1.5 Verifique el apriete de las tuercas y pernos de sujeción.

## 7.2 Revisión del aceite del motor

7.2.1 Para verificar el nivel de aceite del motor, coloque la allanadora sobre un lugar seguro. terreno nivelado con el motor parado.

7.2.2 Retire la varilla medidora de llenado del orificio de llenado de aceite del motor (FIG. 2) y límpiela.

7.2.3 Insertar y quitar la varilla sin enroscarla en la boca de llenado.

Compruebe el nivel de aceite que se muestra en la varilla medidora.

7.2.4 Si el nivel de aceite es bajo (FIG. 3), llene hasta el borde del orificio de llenado de aceite con el recomendado con aceite SAE 10W-30 de 4 tiempos. La capacidad máxima de aceite es 400 cc.

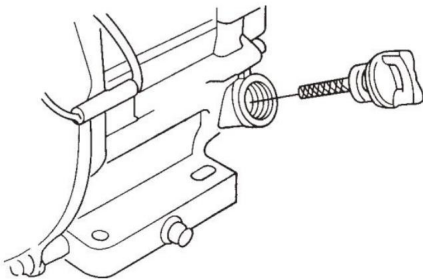


FIGURA 2

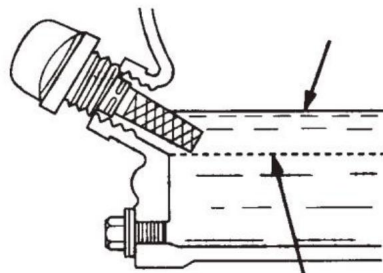


FIG. 3

### 7.3 Comprobación de combustible

Los combustibles para motores son altamente inflamables y pueden ser peligrosos si se manejan incorrectamente.

NO fume mientras reposta combustible. NO intente reabastecer la paleta si el

el motor está caliente o en marcha.

7.3.1 Retire la tapa de gasolina que está ubicada en la parte superior del tanque de combustible.

7.3.2 Inspeccione visualmente para ver si el nivel de combustible es bajo. Si el combustible está bajo, rellénelo con Gasolina de 89 octanos.

7.3.3 Al repostar combustible, asegúrese de utilizar un colador para la filtración. NO completar el combustible. Limpie cualquier combustible derramado.

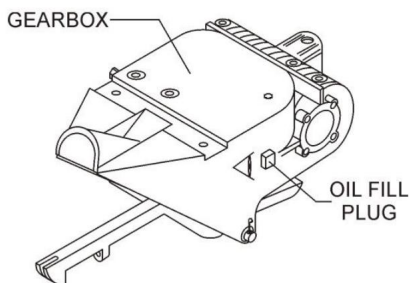


FIG.4

### 7.4 Aceite de la caja de cambios

7.4.1 Determine si el nivel de aceite de la caja de cambios está bajo quitando el tapón de aceite ubicado en el lado de la

caja de cambios. Este enchufe estará marcado con la calcomanía "check". Véase la figura. 4. El

El nivel correcto de aceite lubricante debe estar en la parte inferior del tapón de llenado.

7.4.2 Si el aceite lubricante comienza a filtrarse mientras se retira el tapón de drenaje, entonces se puede suponer que la caja de cambios tiene suficiente cantidad de aceite.

7.4.3 Si el aceite lubricante no se filtra mientras se retira el tapón de drenaje,

llenar con aceite lubricante para cajas de cambios tipo ISO 680 hasta que el orificio de llenado de aceite se desborde.

### 7.5 Revisión de la correa trapezoidal

Una correa trapezoidal desgastada o dañada puede afectar negativamente el rendimiento de su paleta eléctrica. Si una correa trapezoidal está defectuosa o desgastada, simplemente reemplácela. como se describe en la sección de mantenimiento de este manual.

## 7.6 Verificación de la hoja

Antes de comenzar, verifique si hay cuchillas desgastadas o dañadas. Si una hoja está desgastada Mientras que los demás parecen nuevos, esto podría deberse a un problema de paso de las aspas. Consulte la sección de mantenimiento de este manual para obtener instrucciones sobre el Procedimiento de ajuste del paso de las palas. Reemplace las cuchillas desgastadas.

## 7.7 INTERRUPTORES DE SEGURIDAD

Esta allanadora eléctrica ha sido equipada con un interruptor de seguridad. Muerte de seguridad Los interruptores deben probarse cada vez que se arranca el motor.

### NOTA

¡NUNCA! deshabilite o desconecte el interruptor de apagado. esta previsto para seguridad del operador. Se pueden producir lesiones si se desactiva, desconecta o mantenido incorrectamente.

## 7.8 INTERRUPTOR DE APAGADO DE PRESIÓN DE LA MANIJA

Ubicado en el tubo del mango principal hay un interruptor rojo (FIG. 5). El cambio El mecanismo de este interruptor debe funcionar libremente y siempre debe mantenerse en esta condición. Con el interruptor en la posición APAGADO, el motor no debe iniciar o ejecutar. El propósito de este interruptor es detener el motor en una situación fuera de control. situación (es decir, el operador que suelta la manija durante la operación).

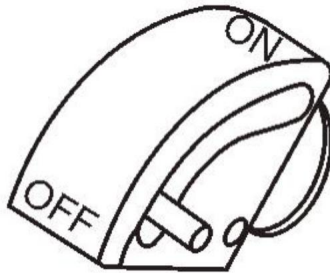


FIG.5

NO deje la máquina sin usar con el motor a alta velocidad durante un Periodo de tiempo extendido. Causará un desgaste prematuro de la correa o puede destruir el cinturón.

SIEMPRE ponga la velocidad del motor en ralentí cuando el embrague manual esté desacoplado.

## 8. PUESTA EN MARCHA INICIAL

Levantar la paleta sobre una losa

### 8.1 Tubo de elevación auxiliar

Retire el tubo de elevación auxiliar ubicado en la parte superior de la manija principal. Insertar el tubo en el casquillo ubicado en el lado opuesto de la caja de cambios desde la manija. Asegúrese de que el orificio del tubo encaje con el pasador del enchufe. Con una persona levantando el mango principal y otra levantando Desde el tubo de elevación auxiliar, recoger la máquina para desplazarla sobre una losa.



#### ADVERTENCIA

La alisadora debe ser estabilizada por la persona que lleva el equipo del operador. manejar. Si no se estabiliza adecuadamente, el mango puede oscilar y voltear la paleta, causando así daños a la paleta y al cuerpo. lesión.

### 8.2 Levantamiento del fardo

La paca elevadora es opcional en las allanadoras nuevas. Proporciona un punto de elevación óptimo para moviendo la paleta. Se pueden usar balas elevadoras o una carretilla elevadora para levantar una paleta sobre un edificio con grúa.

Se recomienda encarecidamente utilizar una grúa para mover una máquina con una paca elevadora, ya que es perfectamente seguro para la máquina. Se debe tener especial cuidado cuando Sin embargo, levantar la máquina del suelo. Daños graves a la máquina. o se podrían causar lesiones personales al dejar caer una paleta.

### 8.2 Elevación del fardo (Continuación)

Esta sección está destinada a ayudar al operador con la puesta en marcha inicial del paleta de operador a pie. Es extremadamente importante que esta sección sea leída. cuidadosamente antes de intentar usar la paleta en el campo.

NO use su paleta hasta que comprenda completamente esta sección.



#### ADVERTENCIA

NO intente operar la allanadora hasta que las instrucciones generales y de seguridad Se han leído las secciones de Información e Inspección de este manual. y completamente comprendido. Dependiendo del fabricante del motor,

Los pasos operativos pueden variar. Ver el funcionamiento del fabricante del motor manual.

## 9. ARRANQUE DEL MOTOR

9.1 Coloque la palanca de la válvula de combustible del motor (FIG. 6) en la posición "ON".

9.2 Coloque la palanca del acelerador de la allanadora (FIG. 1) en la posición "INACTIVO".

9.3 Coloque la palanca del estrangulador (FIG. 7) en la posición "CERRADO" si inicia un motor frío.

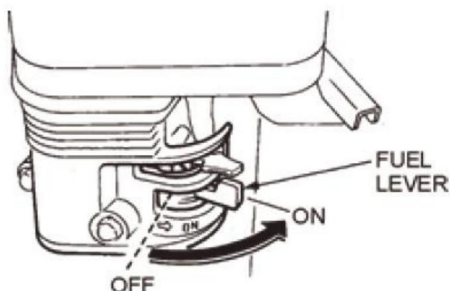


FIG.6

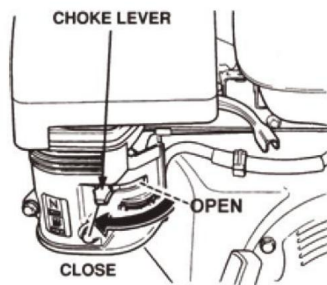


FIG.7

9.4 Coloque la palanca del estrangulador (FIG. 8) en la posición "ABIERTO" si inicia un calentamiento motor o la temperatura es cálida.

9.5 Coloque el interruptor de ENCENDIDO/APAGADO del motor (FIG. 9) en la posición "ON".

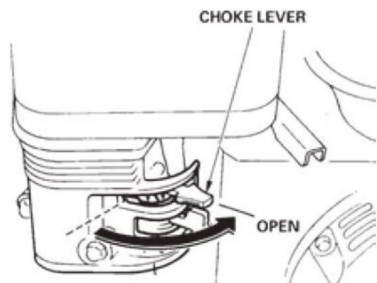


FIG.8

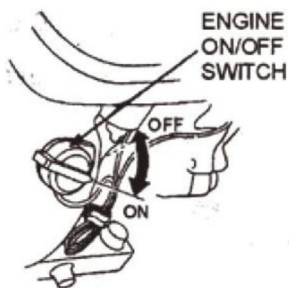


FIG.9

9.6 Sujete la empuñadura del motor de arranque (FIG. 10) y extráigala lentamente. La resistencia se vuelve más difícil en una determinada posición, correspondiente a la

punto de compresión. Tire de la empuñadura de arranque energética y suavemente para arrancar.

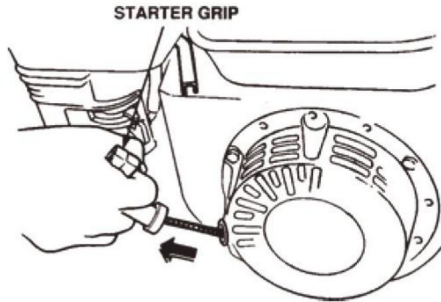


FIG.10

9.7 Si el motor ha arrancado, regrese lentamente la palanca del estrangulador (FIG. 7) a la posición Posición abierta. Si el motor no ha arrancado, repita los pasos 1 a 6.

9.8 Antes de poner en funcionamiento la allanadora, haga funcionar el motor durante varios minutos. Verifique si hay fugas de combustible y ruidos que se asociarían con un

Cubierta o componente de la correa trapezoidal.

9.9 Para comenzar a allanar, mueva la palanca del acelerador (FIG. 11) hacia la posición "RÁPIDO".

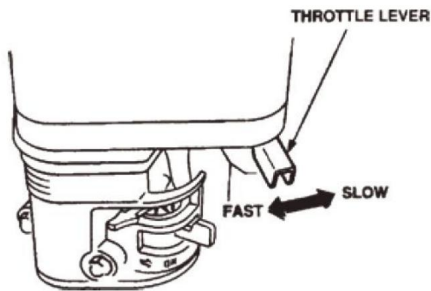


FIG.11

## 10. PARADA DEL MOTOR

10.1 Mueva la palanca del acelerador a la posición IDLE o LENTO (FIG. 11) y

Haga funcionar el motor durante tres minutos a baja velocidad.

10.2 Después de que el motor se enfríe, gire el interruptor de arranque/parada del motor a la posición "OFF" (FIG. 12).

10.3 Cierre la válvula de cierre de combustible (FIG. 13) moviendo la palanca de la válvula de combustible a la posición APAGADO.

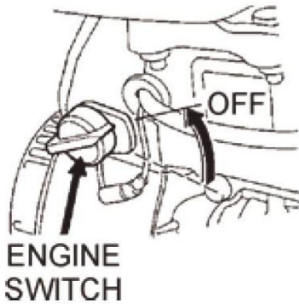


FIG.12

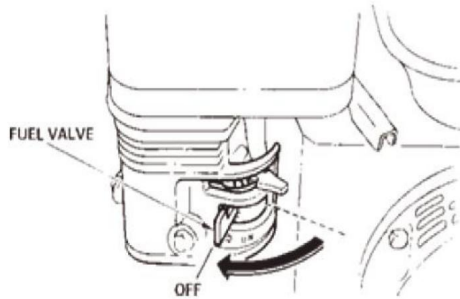


FIG.13

## 11. FUNCIONAMIENTO

Los siguientes pasos pretenden ser una guía básica para el funcionamiento de la máquina y no deben considerarse una guía completa para el acabado del concreto. Leer Consulte la sección "Capacitación" de este manual para obtener más información.

### 11.1 Maniobrando la paleta

11.1.1 Colóquese en la posición del operador detrás del mango. Con un seguro

Un punto de apoyo para los pies y un agarre firme de las manijas aumentan lentamente la velocidad del motor. hasta obtener la velocidad de cuchilla deseada.

11.1.2 Para maniobrar la paleta, levante suavemente o presione hacia abajo la paleta principal. mango de paleta.

Para mover la máquina hacia la izquierda del operador, levante el mango, para mover la máquina hacia la derecha, empuje hacia abajo el mango.

11.1.3 Ajuste el paso de la hoja en el mango estándar, girando el paso

Ajuste la rueda en sentido horario o antihorario. • Para

mover la paleta hacia la izquierda del operador, levante el mango para

mueva la paleta hacia la derecha y presione el mango hacia abajo. •

¡Recordar! que si sueltas la paleta, simplemente aléjate y deja que la

la paleta se DETENGA por completo antes de intentar recuperarla. • El mejor método para terminar el concreto es caminar lentamente hacia atrás.

con la llana, guiando la llana de lado a lado. Esto cubrirá todo

Huellas sobre hormigón húmedo.

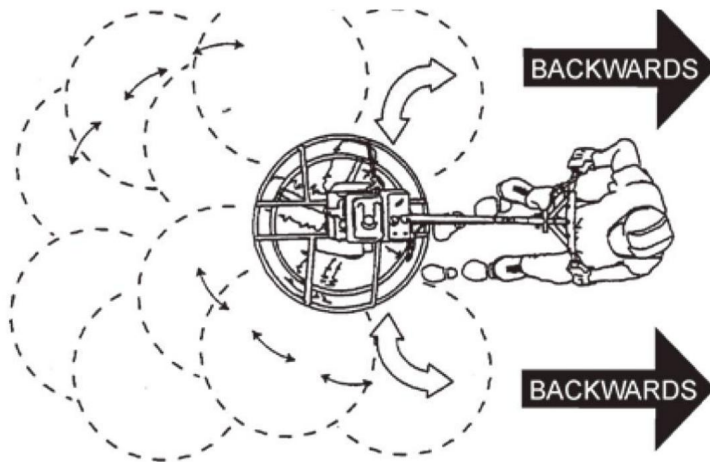


FIG.14



#### ADVERTENCIA

NUNCA coloque los pies o las manos dentro de los anillos protectores mientras enciende u opera este equipo.

Manténgase SIEMPRE alejado de piezas giratorias o móviles mientras opera este equipo.

## 12. OPCIONES DE ACCESORIOS

### 12.1 Cuchillas

#### NOTA

Las hojas deben cambiarse cuando no logran terminar el concreto de manera satisfactoria. manera.

Las hojas son una parte vital del acabado del hormigón. Esta paleta ha sido diseñada para dar acabado a concreto y está construida según estrictos estándares de calidad con el mejor acero para paletas. Si necesita cuchillas de repuesto, consulte la lista de piezas de este manual para obtener los números de pieza.

### 12.2 Hojas combinadas Esta

paleta estaba equipada con hojas combinadas de FLOTACIÓN/ACABADO (FIG. 15) como equipo original. Estas hojas han sido diseñadas para un rendimiento óptimo tanto en las operaciones de flotación como de acabado. Estos

Las hojas son versátiles y deberían cubrir la mayoría de las necesidades de alisado.

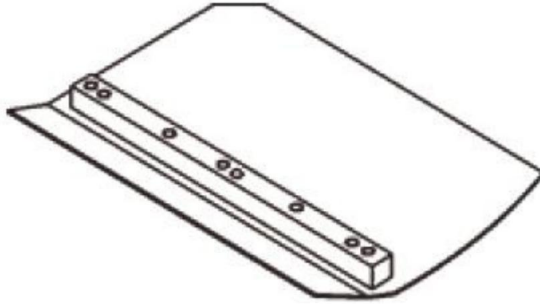


FIG.15

### 12.3 Hojas de acabado (opcional)

Estas hojas han sido diseñadas específicamente para operaciones de acabado con esta paleta. Proporcionarán una capacidad superior de acabado de superficies con su llana. Sólo deben usarse después de que el concreto se haya fraguado hasta el punto en que la paleta no se hunda en el concreto cuando se coloca sobre él.

### 12.4 Palas flotantes con clip (opcional)

Estas hojas se engancharán (FIG.16) a una hoja instalada existente, lo que permitirá que su acabadora flote sobre el concreto "húmedo" para que la operación de allanado pueda comenzar lo antes posible. Son fácilmente removibles, de modo que después de la operación de flotación, cuando el concreto esté lo suficientemente curado, se pueden quitar para exponer las paletas de acabado para continuar con el alisado.

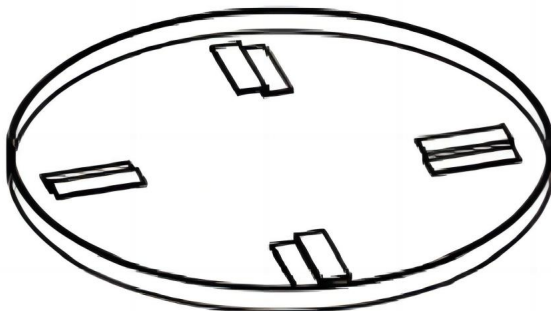


FIG.16

### 12.5 Discos flotantes (opcional)

Estos discos redondos se adhieren a las arañas y permiten que la máquina "flote" sobre concreto "húmedo". El diseño del disco permite una flotación temprana y un movimiento fácil.

de zonas húmedas a secas. También son muy eficaces para incrustar grandes  
Agregados y endurecedores de superficies.

## 13. MANTENIMIENTO

### 13.1 Programa de mantenimiento

#### Diario (8-10 horas)

1. Verifique el nivel de aceite en el cárter del motor y la caja de cambios, llene como necesario.
2. Verifique la correa trapezoidal.

#### Semanal (50-60 Horas)

1. Relubricar los brazos, el collar de empuje y el embrague
2. Reemplace las cuchillas si es necesario.
3. Revise y limpie o reemplace el filtro de aire del motor según sea necesario.
4. Reemplace el aceite del motor y el filtro según sea necesario; consulte el manual del motor.

#### Mensual (200-300 Horas)

1. Retire, limpie, reinstale y vuelva a lubricar los brazos y el collar de empuje. Ajustar el brazos de cuchilla.

#### Anual (2000-2500 horas)

1. Verifique y reemplace si es necesario los casquillos del brazo, los casquillos del collar de empuje y sellos de eje.
2. Compruebe si los cables de control de paso están desgastados.
3. Ajuste la velocidad de la hoja.

### 13.2 Ajuste del brazo de la allanadora

Utilice el siguiente procedimiento para verificar y ajustar los brazos de la allanadora y verificar si componentes desgastados o dañados cuando sea evidente que la paleta está terminando mal o necesitando mantenimiento de rutina. Busque lo siguiente indicaciones. La causa puede ser la alineación del brazo de la allanadora, los casquillos de araña desgastados o los brazos de la allanadora doblados.

- ¿Las cuchillas se desgastan de manera desigual? ¿Está una hoja completamente desgastada mientras la ¿Otros parecen nuevos?
- ¿Tiene la máquina un movimiento perceptible de balanceo o rebote cuando está en funcionamiento?

¿usar?

- Mirar la máquina mientras está en funcionamiento; ¿Los anillos de guardia "se mueven hacia arriba y abajo" en relación con el suelo?

### 13.2.1 Coloque la llana en un área PLANA Y NIVELADA.

Es esencial contar con un área nivelada y limpia para probar la paleta antes y después. Cualquier Los puntos desnivelados en el piso o los escombros debajo de las hojas de la paleta darán un Percepción incorrecta del ajuste. Idealmente, un 5 x 5 pies. (1,5 x 1,5 metros)

Se debe utilizar una placa de acero PLANA de tres cuartos de pulgada (19 mm) de espesor para pruebas.

13.2.2 Inclíne las palas lo más planas posible. Todos los pernos de ajuste deben apenas haga contacto con la placa de desgaste inferior de la caja de araña. si uno es Si no hace contacto, será necesario realizar ajustes. (FIG.17,FIG.4).

### 13.2 Ajuste del brazo de la allanadora (continuación)

La FIG.17 ilustra "alineación incorrecta", casquillos de araña desgastados o doblados.

brazos de paleta. Verifique que el perno de ajuste apenas toque (espacio libre máximo de 0,10") la placa de desgaste inferior. Todos los pernos de alineación deben estar espaciados misma distancia desde la placa de desgaste inferior.

1 perno de ajuste

2 Placa de desgaste inferior

3 superficie

4 Efecto "en forma de cuenco" en el hormigón acabado

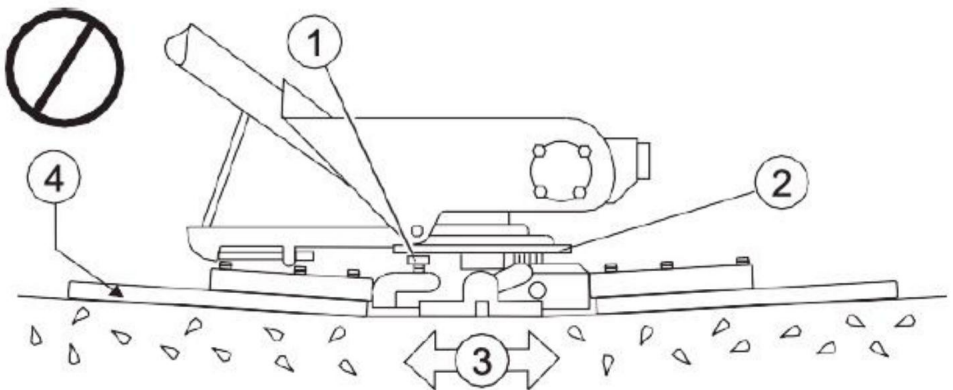


FIG.17

### 13.3 Remoción de la hoja de la paleta

13.3.1 Retire las hojas de la paleta del brazo de la paleta quitando los dos pernos de cabeza hexagonal del brazo de la allanadora. Deje las cuchillas a un lado.

13.3.2 Cepille con alambre cualquier acumulación de concreto en los seis lados de la paleta. Repita esto para los tres brazos restantes.

## 13.4 Reensamblaje

13.4.1 Limpie y examine las placas de desgaste superior/inferior y empuje el cuello.

13.4.2 Examine todo el conjunto de araña. Cepille con alambre cualquier hormigón o acumulación de óxido. Si se encuentra que algún componente de la araña está dañado o deformado, reemplácelo.

13.4.3 Vuelva a instalar el casquillo de bronce en los brazos de la allanadora.

13.4.4 Repita los pasos anteriores para cada brazo de allanadora.

13.4.5 Asegúrese de que el tensor del resorte esté en la posición correcta para ejercer tensión en el brazo de la allanadora.

13.4.6 Con el casquillo de bronce ya instalado, inserte todos los brazos de la paleta con palancas en la placa de araña.

13.4.7 Tenga cuidado de alinear el orificio de engrase en el casquillo de bronce con el orificio de engrase en la placa de araña.

13.4.8 Bloquee los brazos de la allanadora en su lugar apretando el perno de cabeza hexagonal con engrasador zerk y contratuerca.

13.4.9 Vuelva a instalar las hojas en los brazos de la allanadora.

13.4.10 Instale el anillo estabilizador en el conjunto de araña.



### ADVERTENCIA

Desconecte el cable de la bujía y asegúrelo lejos de el motor antes de realizar mantenimiento o ajustes en la máquina.

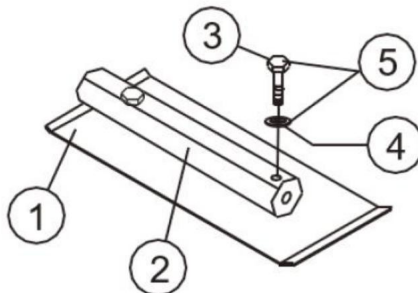
Hoja

Brazo de hoja

Perno de cabeza hexagonal

Arandela de seguridad

Retirar del brazo



## 13.5 Cambio

FBII/Ga.d1e8s

## Solo

Recomendamos cambiar todas las cuchillas al mismo tiempo. El

De lo contrario, la paleta puede tambalearse o rebotar.

13.5.1 Coloque la máquina sobre una superficie plana y nivelada. Ajustar el paso de la hoja controle para que las cuchillas queden lo más planas posible.

### NOTA

Preste atención a la orientación de la hoja en el brazo de la allanadora.

13.5.2 Retire los dos pernos y bloquee las arandelas que sujetan la hoja a el brazo de la paleta.

13.5.3 Retire la cuchilla.

13.5.4 Con un cepillo de alambre, raspe todas las partículas de concreto y los restos de forja. del brazo de la paleta.

13.5.5 Instale la nueva hoja de la allanadora en el brazo de la allanadora. Asegúrate que

La hoja está instalada correctamente, manteniendo la orientación adecuada para la dirección. de rotación.

13.5.6 Vuelva a instalar los dos pernos y las arandelas de seguridad que sujetan la hoja al brazo de paleta. Apriete los pernos firmemente.

13.5.7 Repita los pasos para todas las hojas restantes.

13.6 Instalación de bandejas en las hojas de la acabadora



### ADVERTENCIA

Peligro de levantamiento/aplastamiento.

NO levante la paleta con las bandejas colocadas.

SIEMPRE instale las bandejas en el área de trabajo o en un área próxima a/nivel con el área de trabajo.

NO levante la paleta cuando las bandejas estén colocadas.

13.6.1 Levante la paleta lo suficiente para deslizar la bandeja debajo de las cuchillas. Con Con las cuchillas adyacentes a los clips en Z, baje el finalizador sobre la bandeja.

13.6.2 Gire las cuchillas a su posición debajo de los clips en Z. Asegúrese de que el Las cuchillas giran en la dirección de desplazamiento cuando la máquina está en operación. O utilice el motor para girar las cuchillas a su posición.

13.6.3 Fije los amarres de la hoja al lado más alejado de los soportes del clip Z con perillas de amarre.

13.6.4 Antes de volver a poner la máquina en funcionamiento, verifique para asegurarse que los bordes de la hoja estén asegurados debajo de los clips en Z.

13.6.5 Antes de volver a poner la máquina en funcionamiento, verifique para asegurarse que los amarres estén asegurados firmemente sobre los bordes de la hoja.

### 13.7 Extracción de la caja araña

13.7.1 Una vez que se determina que se requiere un ajuste, retire el conjunto de araña del eje de la caja de cambios de la siguiente manera:

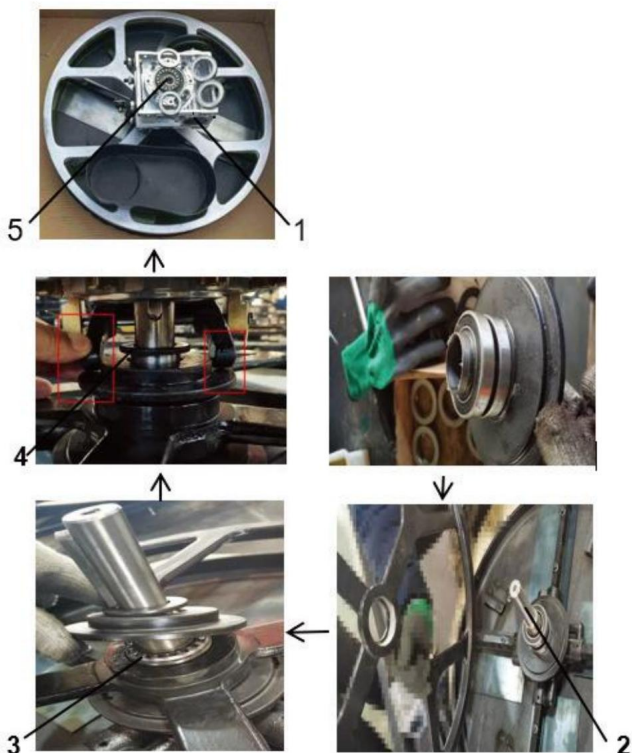
13.7.2 Retire el conector Zerk y el tornillo de cabeza Allen designado por el letra "S".

13.7.3 En el lado opuesto del bloque de araña, hay otro conector Zerk y tornillo de cabeza allen. Retire ambos componentes.

13.7.4 Levante el conjunto superior de la paleta para quitarlo del conjunto de araña.

#### NOTA

Puede ser necesario darle un ligero golpe con un mazo de goma para desalojar la araña del eje principal de la caja de cambios.

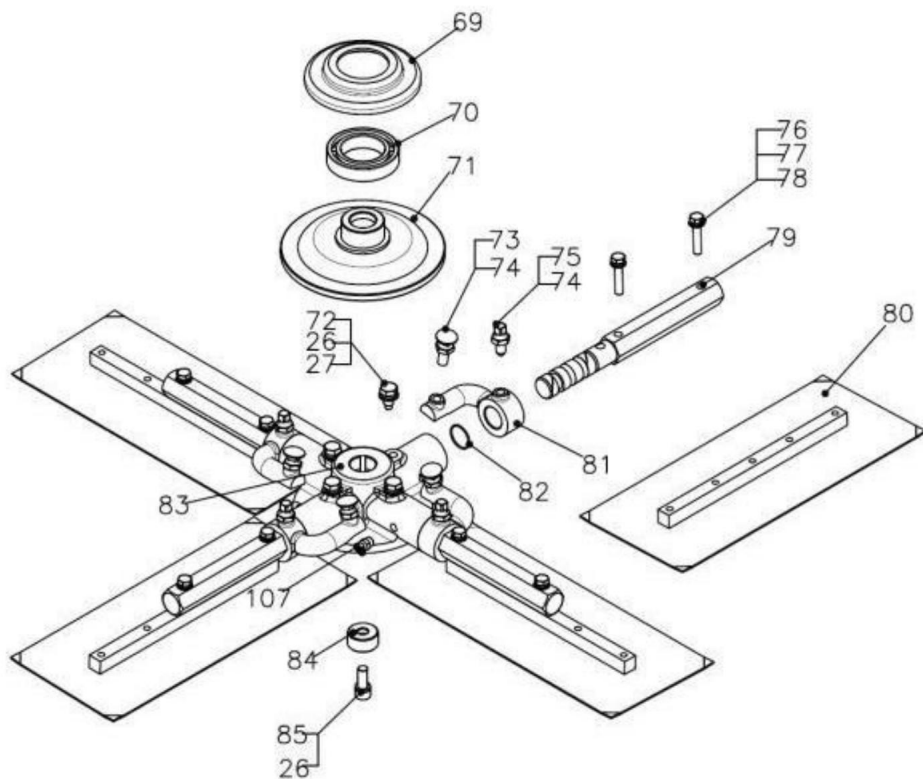




REF	Número de pieza	Descripción	Cantidad	Dimensión
1	RG-003	Cubierta plástica	2	
2	QSC-M4*8	Tornillo	2	M4x8
3	QWS-PM4	Lavadora de placas	2	M4
4	TSA-01	Conjunto del acelerador.	1	
5	QNT-NM4	Interruptor de	2	M4
6	W436F-001	parada WA con	1	
7	PAS-02	manija de tuerca Nylock (barra de liberación Tipo)	1	
8	436F-01-001	Perilla de ajuste	1	
9	QSP-5X50	Pasador de	1	5x50
10	QBR-51104	resorte	1	
11	QBL-M6X10	Perno de cojinete	1	M6x10
12	436F-01-004	Guía de aluminio	1	
13	QWS-WM19	Lavadora ondulada	1	M19
14	QWS-PM19	Lavadora de placas	1	M19
15	QSR-S18	Anillo de retención	1	T18
16	436F-01-002	Ajustar el tubo del tornillo	1	
17	QBL-M6X8	Tornillo	1	M6X8
18	QWS-PM6	Arandela de resorte	1	M6
19	436F-01-003 20	Guía de tornillos	1	
	QSP-5X30	El pasador de resorte	1	5X30
21	436F-01-007 peso	Alambre de acero	1	
22	436F-02-004	Pasador del brazo del yugo	1	
23	QSR-S10	Anillo de retención	2	T10
24	436F-02-003 B	Brazo de yugo	1	
25	QNT-NM10	Tuerca de nailon	10	M10
26	QWS-SM10	Arandela de resorte	14	M10
27	QWS-PM10	Lavadora de placas	18	M10
28	436F-02-001	Base de soporte del mango	1	

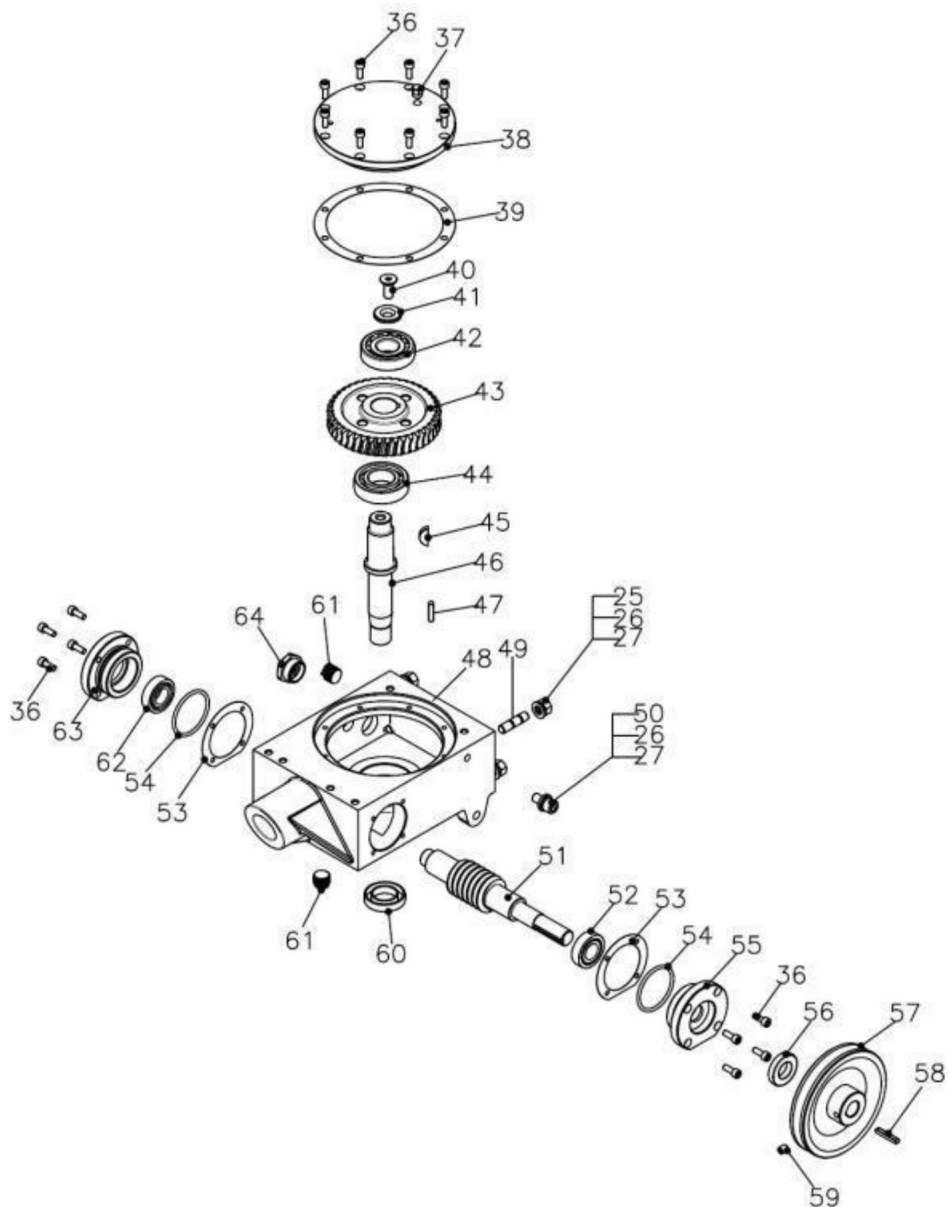
29QB	L-M10X70	Tornillo	1	M10X70
30QB	L-M10X35	Tornillo	4	M10X35
31	436F-02-002	Soporte superior	1	
32	436F-01-005	Yugo de aluminio	1	
33	436A-01-010	Rueda	1	
34	QSP-3X30	El pasador de resorte	1	3X30

## Cuchilla



ARBITRO	Número de piezas	Descripción	Cantidad	Dimensión
26	QWS-SM10	Arandela de resorte	5	M10
27	QWS-PM10	Lavadora de placas	4	M10
69	436F-02-005B	Tapa de la placa de prensa	1	
70	QBR-6009	Cojinete	1	6009
71	436F-02-006B	Tapa de la placa de prensa	1	
72	QBL-M10X20	Tornillo	4	M10X20
73	QBL-BBM10X35	Perno de cabeza redonda	4	M10X35
74	QNT-TM10	Tuerca fina	8	M10
75	QBL-SHM10X30	Perno de cabeza cuadrada 76	4	
	QBL-7/16X11/2	Tornillo	8	7/16*3/2L
77	QWS-SM8	Arandela de resorte	8	M8
78	QWS-PM8	Lavadora de placas	8	M8
79	436F-02-009B	Brazo de hoja	4	
80	436F-02-014	Conjunto de cuchillas	4	
81	436F-02-008	Brazo inclinable	4	
82	ESCRIBIR-S22	junta tórica	4	22x1,5t
83	436F-02-007B	Araña	1	
84	436F-02-010	Buje de araña	1	
85	QBL-LM10X30	Perno	1	M10x30

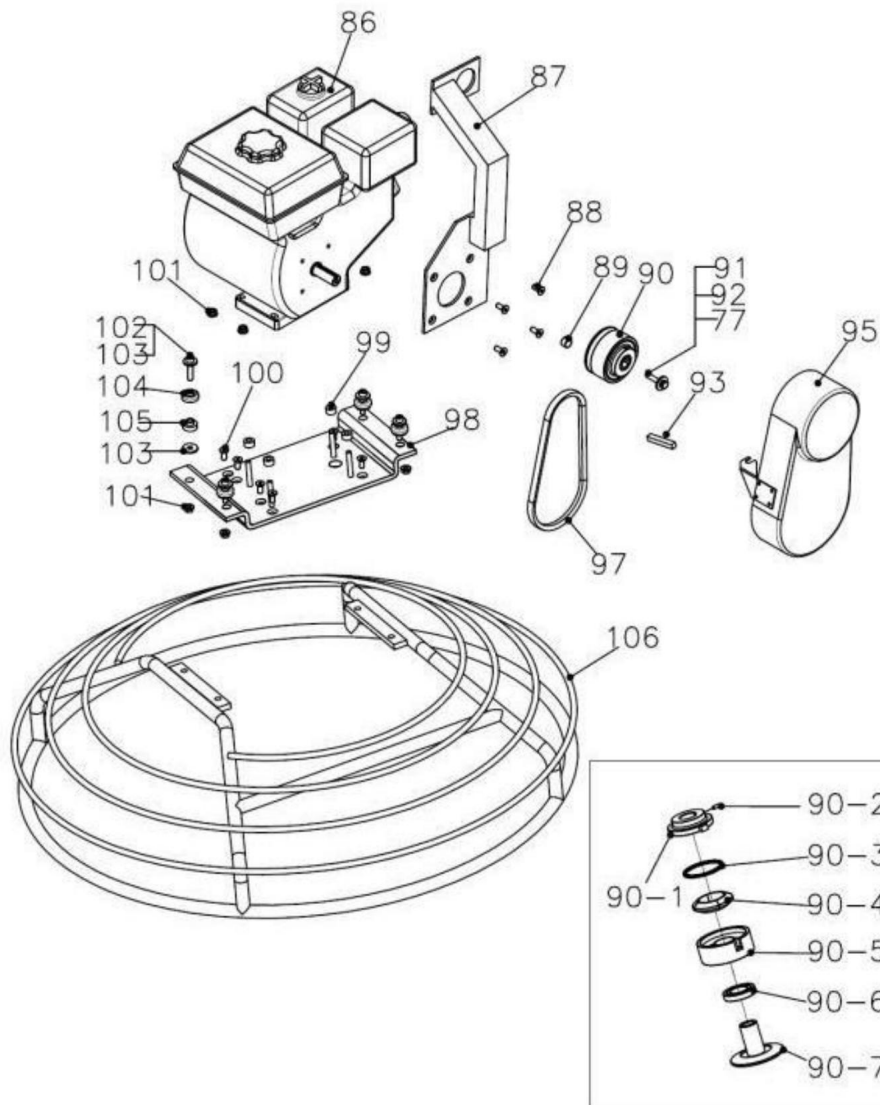
Caja de cambios



ÁRBITRO	Número de piezas	Descripción	Cantidad	Dimensión
	436F-03	Conjunto de caja de cambios	1	
25	QNT-NM10	Tuerca de nailon	4	M10
26	QWS-SM10	Arandela de resorte	5	M10
27	QWS-PM10	Lavadora de placas	5	M10
36	QBL-M6X16	Tornillo	dieciséis	M6X16L
37	QVR-M8	Válvula de escape	1	
38	436F-03-004	Portada grande	1	
39	436F-03-005	Junta de Tapa Grande	1	
40	QBL-FHM10x25	Perno de cabeza hueca plana	1	M10x25
41	QWS-SSM10	Lavadora	1	M10
42	QBR-30305	Cojinete	1	30305
43	436F-03-008	Engranaje de tornillo	1	
44	QBR-6206	Cojinete	1	6206
45	QKY-W6X10X25	llave de madera	1	6X10X25
	436F-02-012	Eje principal	1	
47	QKY-6X25	Llave	1	6X25
48	436F-03-001	Caparazón	1	
49	QBL-STM10x40	Tienda de sementales	4	M10x40
50	QBL-M10X16	Tornillo	1	M10X16
51	436F-03-007	Eje sinfín	1	
52	QBR-32004	Cojinete	1	32004
53	436F-03-006	Junta de tapa lateral	2	
54	ESCRIBIR-	Junta tórica	2	55x3,5t
P55	436F-03-003	Cubierta lateral de salida	1	
56	QOS-20X40X8	Sello de aceite	1	
57	436F-04-005	Polea	1	
58	QKY-5X35	Llave	1	5X35
59	QBL-M8X10	Tornillo	1	M8X10
60	QOS-27X47X10	Sello de aceite	1	27X47X10
61	436A-03-008WT	Drenaje de aceite	2	
62	QBR-6004	Cojinete	1	6004

63	436F-03-002	Cubierta lateral	1	
64	QOCW-M27x1.5	Ventanas de verificación de aceite	1	M27x1.5

## Anillo de seguridad



ARBITRO	Número de piezas	Descripción	Cantidad	Dimensión
77	QWS-SM8	Arandela de resorte		M8
86	GX160	Motor GX-160	1	
87	W436F-005	Elevación de gancho	1	
88	QBL-SHM8X20	Perno de cabeza hueca	4	
89	436F-04-013	Transporte del embrague	1	
90	CA-01	Embrague	1	
90-1	CA-01-004	Placa frontal	1	
90-2	QBL-AM8x16	Tornillo de ajuste	2	M8x16
90-3	CA-01-005	Resorte del embrague	1	
90-4	CA-01-003	Peso del zapato	1	
90-5	CA-01-002	Tambor de embrague	1	
90-6	QBR-6006	Cojinete	1	6006
90-7	CA-01-001	Eje del embrague	1	
91	QBL-M8X35	Tornillo	1	M8X35
92	Lavadora de placas especial	QWS-SPM8	1	M8
93	QKY-5x5x50	Llave	1	5x5x50
95	436F-04-006	Cubierta del cinturón	1	
97	QBT-A26	Correa trapezoidal	1	A26
98	W436F-002	Placa de montaje del motor	1	
99	436F-04-107	Buje de montaje del motor	4	
100	QBL-FHM8X20	Perno de cabeza plana 101	4	M8X20
	QNT-M8	Tuerca	8	M8
102	QBL-LM8X40	Perno de cabeza hueca	4	M8X40
103	QWS-PM8		8	M8
104	436F-04-004	Taza	4	
105	436F-04-003	Goma	4	
106	W436F-004B	Anillo de seguridad	1	



**VEVOR<sup>®</sup>**

**TOUGH TOOLS, HALF PRICE**

Soporte técnico y certificado de garantía  
electrónica [www.vevor.com/support](http://www.vevor.com/support)

# VEVOR<sup>®</sup>

## TOUGH TOOLS, HALF PRICE

Wsparcie techniczne i certyfikat e-gwarancji [www.vevor.com/support](http://www.vevor.com/support)

### Zacieraczka mocy

MODELE: HMR950, HMR1200

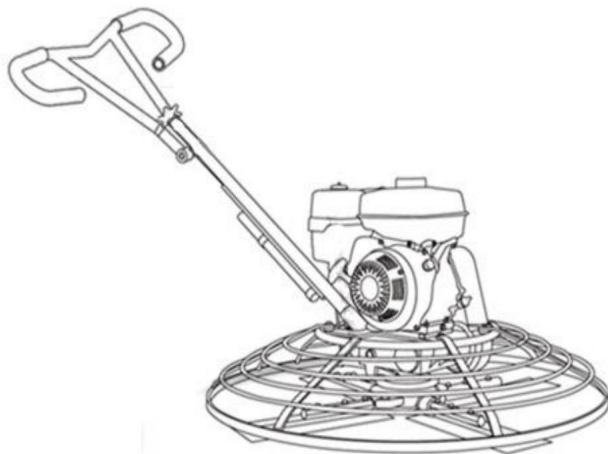
Nadal dokładamy wszelkich starań, aby zapewnić Państwu narzędzia w konkurencyjnej cenie.

„Zaoszczędź o połowę”, „o połowę ceny” lub inne podobne wyrażenia używane przez nas przedstawiają jedynie szacunkową oszczędność, jaką możesz zyskać kupując u nas określone narzędzia w porównaniu z głównymi najlepszymi markami i niekoniecznie oznaczają uwzględnienie wszystkich kategorii oferowanych narzędzi przez nas. Przypominamy, aby podczas składania zamówienia u nas dokładnie sprawdzić, czy faktycznie oszczędzasz połowę w porównaniu z czołowymi markami.

**VEVOR**<sup>®</sup>  
TOUGH TOOLS, HALF PRICE

Zacieraczka mocy

MODELE: HMR950, HMR1200



<Zdjęcie tylko w celach informacyjnych>

POTRZEBUJĘ POMOCY? SKONTAKTUJ SIĘ Z NAMI!

Masz pytania dotyczące produktu? Potrzebujesz wsparcia technicznego? Prosimy o kontakt:  
Wsparcie

techniczne i certyfikat e-gwarancji [www.vevor.com/support](http://www.vevor.com/support)

To jest oryginalna instrukcja. Przed przystąpieniem do obsługi prosimy o dokładne zapoznanie się ze wszystkimi instrukcjami. VEVOR zastrzega sobie jasną interpretację naszej instrukcji obsługi. Wygląd produktu zależy od produktu, który otrzymałeś. Proszę wybaczyć nam, że nie będziemy ponownie informować Państwa, jeśli pojawią się jakieś aktualizacje technologii lub oprogramowania naszego produktu.

# WAŻNI OCHRONIARZE



**OSTRZEŻENIE:** Przed przystąpieniem do obsługi lub serwisowania tego produktu należy przeczytać i zrozumieć całą niniejszą instrukcję. Niezastosowanie się do tych ostrzeżeń i instrukcji może spowodować obrażenia ciała lub uszkodzenie cennego mienia.

## 1. Informacje dotyczące bezpieczeństwa

### 1.1 Przepisy dotyczące łapaczy iskier Uwaga: Państwowe

kodeksy bezpieczeństwa zdrowia i kodeksy zasobów publicznych określają, że w niektórych lokalizacjach w silnikach spalinowych wewnętrznego spalania zasilanych paliwami węglowodorowymi należy stosować łapacze iskier. Łapacz iskier to urządzenie zaprojektowane w celu zapobiegania przypadkowemu wyrzuceniu iskier lub płomieni z układu wydechowego silnika. Łapacze iskier są kwalifikowane i oceniane w tym celu przez Służbę Leśną Stanów Zjednoczonych.

Aby zachować zgodność z lokalnymi przepisami dotyczącymi łapaczy iskier, należy skonsultować się z dystrybutorem silnika lub lokalnym administratorem ds. bezpieczeństwa i higieny pracy.

### 1.2 Bezpieczeństwo użytkowania



#### OSTRZEŻENIE

Do bezpiecznej obsługi sprzętu wymagana jest znajomość i odpowiednie przeszkolenie! Sprzęt obsługiwany nieprawidłowo lub przez nieprzeszkolony personel może być niebezpieczny! Przeczytaj instrukcje obsługi zawarte w tej instrukcji i instrukcji silnika oraz zapoznaj się z rozmieszczeniem i właściwym użyciem wszystkich elementów sterujących. Nieodświadczeni operatorzy powinni otrzymać instrukcje od osoby zaznajomionej ze sprzętem, zanim zostaną dopuszczeni do obsługi maszyny. • NIGDY nie pozwalaj nikomu obsługiwać tego urządzenia bez odpowiedniego przeszkolenia.

Osoby obsługujące ten sprzęt muszą być zaznajomione z ryzykiem i zagrożeniami z nim związanymi.

• NIGDY nie dotykaj silnika ani tłumika, gdy silnik jest włączony lub bezpośrednio po jego wyłączeniu. Miejsca te nagrzewają się i mogą powodować oparzenia. • NIGDY nie używaj akcesoriów ani przystawek, które nie są zalecane przez firmę

Moc Tomahawka. Może to spowodować uszkodzenie sprzętu i obrażenia użytkownika. • NIGDY nie pozostawiaj włączonej maszyny bez nadzoru. • ZAWSZE

upewnij się, że operator zna odpowiednie środki ostrożności i

techniki obsługi przed użyciem maszyny. • ZAWSZE noś

okulary ochronne lub okulary ochronne posiadające certyfikat ANSI Z87.1

z osłonami bocznymi lub, w razie potrzeby, osłoną twarzy. W przypadku zapylenia używaj maski przeciwpyłowej warunki pracy. Używaj również antypoślizgowego obuwia ochronnego, kasku, rękawiczek i kurzu systemy zbierania oraz, w stosownych przypadkach, środki ochrony słuchu. Dotyczy to wszystkim osobom w miejscu pracy. •

ZAWSZE zamykaj zawór paliwa w silnikach wyposażonych w taki zawór, gdy maszyna jest uruchomiona nie jest operowany. •

ZAWSZE prawidłowo przechowuj sprzęt, gdy nie jest używany. Sprzęt

naależy przechowywać w czystym i suchym miejscu, niedostępnym dla dzieci. • ZAWSZE

obsługuj maszynę, gdy wszystkie urządzenia zabezpieczające i osłony są na swoim miejscu

i sprawny. NIE modyfikuj ani nie usuwaj urządzeń zabezpieczających. NIE RÓB

obsługiwać maszynę, jeżeli brakuje jakichkolwiek urządzeń zabezpieczających lub osłon, lub gdy nie

działają one. • ZAWSZE czytaj, zrozum i postępuj zgodnie z procedurami zawartymi w Instrukcji obsługi przed próbą obsługi sprzętu.

### 1.3 Bezpieczeństwo podczas użytkowania silników spalinowych



#### NIEBEZPIECZEŃSTWO

Silniki spalinowe stwarzają szczególne zagrożenia podczas pracy

i tankowanie! Przeczytaj i postępuj zgodnie z instrukcjami ostrzegawczymi zawartymi w instrukcji obsługi silnika poniżej instrukcja obsługi i wskazówki dotyczące bezpieczeństwa. Niezastosowanie się do ostrzeżeń i

NIEBEZPIECZEŃSTWO. Wskazówki bezpieczeństwa mogą skutkować poważnymi konsekwencjami

obrażenia lub śmierć.

• NIE WOLNO uruchamiać maszyny w pomieszczeniu zamkniętym lub w zamkniętej przestrzeni, np. głębokiej okopach, chyba że zapewniona jest odpowiednia wentylacja, poprzez takie elementy jak

dostarczane są wentylatory wyciągowe lub węże. Wydech benzyny z silnik zawiera trujący tlenek węgla; narażenie na

śmierć.

- NIE palić podczas obsługi maszyny.
- NIE palić podczas tankowania silnika.
- NIE tankuj gorącego lub pracującego silnika.
- NIE tankuj silnika w pobliżu otwartego płomienia.
- NIE rozlewaj paliwa podczas tankowania silnika.
- NIE uruchamiaj silnika w pobliżu otwartego ognia.
- ZAWSZE uzupełniaj zbiornik paliwa w dobrze wentylowanym pomieszczeniu.
- ZAWSZE po zatankowaniu zakręcaj korek wlewu paliwa.
- ZAWSZE sprawdź wcześniej przewody paliwowe i zbiornik paliwa pod kątem wycieków i pęknięć rozruch silnika.
- NIE uruchamiaj maszyny, jeśli występują wycieki paliwa lub przewody paliwowe są poluzowane.

#### 1.4 Bezpieczeństwo serwisu



#### OSTRZEŻENIE

Nieprawidłowo konserwowany sprzęt może stanowić zagrożenie dla bezpieczeństwa! Aby aby sprzęt działał bezpiecznie i prawidłowo przez długi okres czasu, okresowo

konieczna jest konserwacja i okazjonalne naprawy. • NIE próbuj czyścić ani naprawiać maszyny podczas jej pracy.

Obracające się części mogą spowodować poważne obrażenia. • NIE uruchamiaj zalanego silnika przy wykręconej świecy zapłonowej silniki benzynowe. Paliwo uwięzione w cylindrze zostanie wytryśnięte otwór świecy zapłonowej. • NIE sprawdzaj iskry w silnikach benzynowych, jeśli tak jest zalany lub czuć zapach benzyny. Zbłąkana iskra może się zapalić opary. •

NIE używaj benzyny ani innych rodzajów paliw ani łatwopalnych rozpuszczalników do czyszczenia części, szczególnie w pomieszczeniach zamkniętych. Opary z paliw i rozpuszczalniki mogą stać się wybuchowe. •

ZAWSZE utrzymuj obszar wokół tłumika wolny od zanieczyszczeń, takich jak liście, papier, kartony itp. Gorący tłumik może je zapalić, powodując pożar.

- **ZAWSZE** wymieniaj zużyte lub uszkodzone elementy na części zamienne zaprojektowane i zalecane przez Tomahawk Power.
- **ZAWSZE** odłączaj świecę zapłonową w maszynach wyposażonych w silniki benzynowe przed serwisowaniem, aby uniknąć przypadkowego uruchomienia.
- **ZAWSZE** utrzymuj maszynę w czystości i czytelność etykiet. Wymień wszystkie brakujące i trudne do odczytania etykiety. Etykiety zapewniają ważne działanie instrukcją i ostrzegają przed niebezpieczeństwami i zagrożeniami.
- **ZAWSZE** przed każdym użyciem sprawdzaj, czy części nie są uszkodzone. Dokładnie sprawdź aby kielnia działała prawidłowo i spełniała swoją zamierzoną funkcję. Natychmiast wymień uszkodzone lub zużyte części. Nigdy nie obsługuj kielnia z uszkodzoną częścią.
- **ZAWSZE** sprawdzaj jastrych przed składowaniem i przed jego składowaniem ponowne użycie. Przechowuj kielnię w suchym, bezpiecznym i niedostępnym miejscu dzieci, gdy nie są używane.
- **ZAWSZE** używaj wyłącznie akcesoriów zalecanych przez producenta do stosowania z kielnią. Akcesoria, które mogą być nadaje się do jednej kielni, może powodować ryzyko obrażeń podczas używania z nią sprzęt do jastrychu.
- **ZAWSZE** utrzymuj ostrza w czystości, gdy nie są używane, a osłony na swoim miejscu w stanie sprawnym.

## 2 Informacje o produkcji

### 2.1 Przeznaczenie

Zostaw żmudne prace związane z ręcznym wykańczaniem w przeszłości dzięki Tomahawk Power Kielnie! Z łatwością zagęszczaj podłogi betonowe, aby uzyskać idealne rezultaty wykończenia przy projektach obejmujących podjazdy, piwnice i obiekty komercyjne/przemysłowe

Oferty pracy.

### 2.2 Zapoznanie się z kielnią

Zacieraczki mechaniczne VEVOR są przeznaczone do zacierania i wykańczania płyty betonowe. Przeanalizuj swoją kielnię i zwróć uwagę na każdy element: silnik, ostrza, szybka regulacja pochylenia, filtr powietrza, odśrodkowy wyłącznik krańcowy, sprzęgło i układ koła pasowego. Upewnij się, że w silniku zawsze znajduje się olej.

### 2.3 Bezpieczeństwo

Przed użyciem zacieraczki przeczytaj uważnie wszystkie instrukcje dotyczące bezpieczeństwa. Instrukcje dotyczące bezpieczeństwa są dostępne w całej instrukcji oraz na stronie sprzęt. Informacje dotyczące bezpieczeństwa powinny pozostać w dobrym i czytelnym stanie. Operatorzy muszą być dobrze przeszkoleni w zakresie obsługi i konserwacji urządzenia kielnia.

Przed rozpoczęciem należy przetestować kielnię na płaskiej, rozwodnionej części wykończonej powierzchni Beton. Przetestuj na części wolnej od zanieczyszczeń i innych przedmiotów.

Próbne uruchomienie testowe zwiększy pewność operatora, jednocześnie pomagając w zapoznaniu się się ze sterowaniem zacieraczki. Ponadto pomoże to operatorom zrozumieć, jak zacieraczka działa w rzeczywistych warunkach.

## 2.4 Silnik

Zacieraczki mechaniczne VEVOR napędzane są silnikami Kohlera. Patrz instrukcji obsługi silnika zawierającej instrukcje dotyczące obsługi i konserwacji silnika. Instrukcja obsługi silnika jest dołączona do Twojego kielnia.

## 2.5 Układ napędowy

Moc przekazywana jest z silnika na wał wejściowy skrzyni biegów poprzez:

Napęd koła pasowego paska klinowego

system. Koło pasowe zazębia się za pomocą sprzęgła odśrodkowego lub ręcznego. Więcej informacji można znaleźć w części Części niniejszej instrukcji.

## 2.6 Skrzynia biegów

Skrzynia biegów znajduje się pod silnikiem i przekazuje moc na wirnik lub zestaw spiderbox. Skrzynia biegów steruje prędkością obrotową zacieraczka i wyposażona jest w dwa wały (wlotowy i wyjściowy).

## 2.7 Pająk

Pionowy wał wyjściowy skrzyni biegów łączy się z odlewaną piastą zwaną tzw pajęczyna. Spiderbox ma 4 ramiona, które rozciągają się na zewnątrz i służą do mocowanie ostrzy lub innych akcesoriów. Pamiętaj: kiedy skrzynia biegów wał wyjściowy obraca się, podobnie jak zespół pająka.

## 2.8 Ostrza

Ostrza kielni służą do wykańczania betonu podczas jego obrotu wokół danej powierzchni. Ta kielnia zawiera 4 ostrza kombinowane wirnik. Są one równomiernie rozmieszczone promieniście i przymocowane do

pionowy wał obrotowy za pomocą zespołu pająka.

## 2.9 Sprzętło odśrodkowe

W przypadku niekontrolowanej pracy zacieraczki (operator zwalnia przycisk uchwytu), sprzętło odśrodkowe zatrzyma silnik i ustawi zacieraczkę w pozycji a całkowity przystanek.

## 2.10 Szkolenie

Informacje na temat prawidłowego szkolenia można znaleźć w części „LISTA KONTROLNA SZKOLENIA” znajdująca się na końcu tej instrukcji. Ta lista kontrolna zawiera zarys szkolenia dla doświadczonych operatorów nowego operatora.

## 3. Dane techniczne

### Kielnia

Model	HMR950	HMR1200
Silnik	CH260	CH440
Liczba ostrzy	4	4
Średnica dysku	38 cali	46 cali
Optymalny kąt ostrza regulacja (°)	0-15	0-15

### Silnik

Model	CH440
Typ	4-suwowy, słyszalny wałek rozrządu, 1 cylinder
HP	14
System transmisji	Przekładnia ślimakowa i robak
Zużycie paliwa (g/kWh)	374
Maksymalna prędkość (obr/min)	2800

4 Podręcznik użytkownika

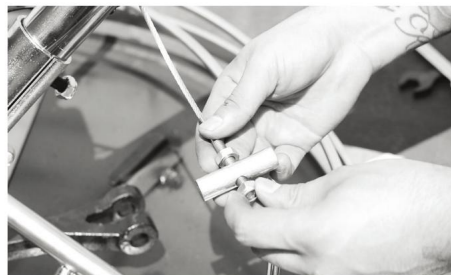
## 4.1 Szybka konfiguracja



Krok 1: Włóż koniec kolumny uchwytu do podstawy kielnia.



Krok 2: Włóż śruby i podkładki przez otwory w kierownicy - dokręć nakrętką.



Krok 3: Odkręć nakrętkę od sworznia i włóż kołek przez podstawę kielni.



Krok 4: Przełóż śrubę przez sworzień i dokręć nakrętki u góry i u dołu, aby utrzymać ją na miejscu.

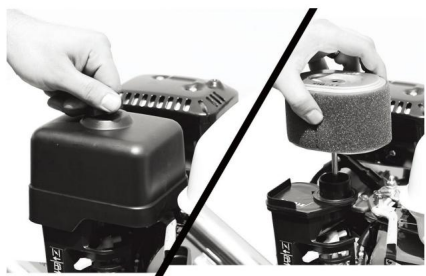


Krok 5: Załóż uchwyty wokół oka w kierunku górnej części kolumny uchwytu.

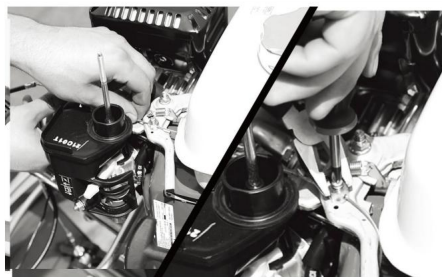


Krok 6: Umieść śrubę w podstawie uchwytów, a następnie zamocuj nakrętką na końcu.

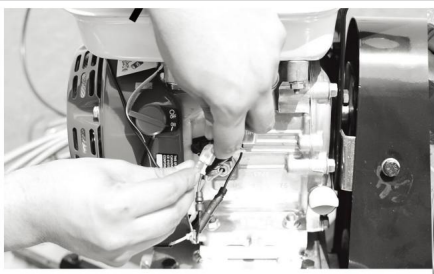
#### 4.2 Skrócona instrukcja obsługi



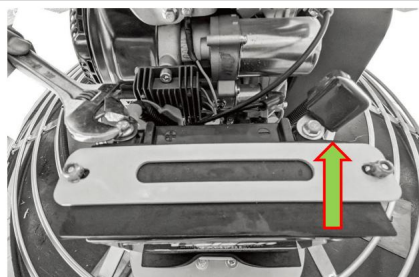
Krok: 7 Aby przymocować linkę przepustnicy, zdejmij filtr powietrza i pokrywę.



Krok: 8 Przeprowadź kabel przez nakrętkę obrotową i przez krętlek zatrzymać, a następnie dokręć śrubę.



Krok: 9 Doprowadź przewód wyłącznika awaryjnego do z przodu silnika i podłącz to wyłącznik.



Krok: 10 Przymocuj dodatni (czerwony) i ujemne (czarne) przewody silnika do akumulatora.

## 5. Sterowanie i komponenty

### 5.1 Uchwyt

Zawiera „koło gwiazdowe” do ręcznej regulacji kąta ostrza.



## 5.2 Składany uchwyt szybkiego pochylenia

Wykorzystuje uchwyt dźwigniowy do szybkiej regulacji nachylenia ostrza. Uchwyt składa się do przechowywania.



## 5.3 Wyłącznik odśrodkowy W przypadku,

gdy operator straci kontrolę nad zacieraczką, wyłącznik ten wyłączy silnik.



## 5.4 Dźwignia sterowania przepustnicą

Przepustnica steruje prędkością silnika. Przesuń dźwignię ręczną w stronę operatora, aby zwiększyć prędkość silnika (wysoka), lub od operatora, aby zmniejszyć prędkość silnika (niska).



## 5.5 Kierownice rowerowe

Szersza kierownica kielni pozwala na większą stabilność, równowagę i zwrotność. Wymień uchwyty, jeśli ulegną zużyciu lub uszkodzeniu.

## 5.6 Silnik

Zacieraczki VEVOR wykorzystują silniki Kohlera i są objęte 3-letnią gwarancją gwarancja niezawodnej obsługi.

## 5.7 Kontrola nachylenia ostrza

Ustaw stalowe ostrza pacy w zakresie 0-15 stopni, aby uzyskać matowy, jasny efekt połysk lub błyszczące wykończenie.

## 5.8 Pierścień Strażniczy

NIGDY nie wkładać rąk ani stóp do pierścienia ochronnego.

## 5.9 Ramię kielni

Zapewnia punkty mocowania ostrzy. Jeśli ostrza wykazują nierównomierne zużycie wzory lub jeśli ostrza zużywają się szybciej niż inne, może być konieczne użycie ramienia kielni do wymiany.

## 5.10 Ostrza

Kielnia ta jest wyposażona w 4 ostrza ze stali hartowanej typu combo, przeznaczone do zarówno operacje float, jak i Finish. Ostrza te są wymienne z większość producentów.

## 5.11 Osłona paska klinowego

Zdejmij tę osłonę, aby uzyskać dostęp do paska klinowego. NIGDY nie używaj kielni po zdjęciu tej osłony.

## 5.12 Uchwyt

Poluzuj, aby złożyć uchwyt.

# 5.2 Dodatkowe komponenty

## 5.2.1 Pierścień stabilizatora

Pierścień stabilizujący redukuje drgania ramienia kielni i je utrzymuje zrównoważony.

## 5.2.2 Panka pływająca

Zaprojektowana do mocowania na ostrzach typu combo, miska pływakowa ulega rozkładowi wysokie punkty, wynosząc zaprawę na powierzchnię i tworząc jednolitą i

płaska płyta.

### 5.2.3 Pomocnicza rura podnosząca

Użyj tej rurki, aby podnieść kielnię na płytę. Rurę należy włożyć do

gniazdo umieszczone przed skrzynią biegów. Dostępne z wybranymi jednostkami.

## 6. SILNIK

### 6.1 Serwis

Zacieraczki firmy VEVOR napędzane są silnikami Kohlera. Silnik musi być

przed rozpoczęciem pracy sprawdzić pod kątem prawidłowego smarowania i napełnić paliwem. Wspominać

do instrukcji silnika producenta, aby uzyskać instrukcje i szczegóły działania

i serwisowanie. Jeśli pojawi się problem lub jeśli masz jakiegokolwiek pytania dot

silnika, skonsultuj się z autoryzowanym dealerem firmy Kohler.

## Znaczenie konserwacji

Aby urządzenie było bezpieczne, ekonomiczne i bezawaryjne, niezbędna jest dobra konserwacja

operacja. Pomoże to również zmniejszyć zanieczyszczenie.



### OSTRZEŻENIE

• Niewłaściwa konserwacja lub nieusunięcie problemu przed rozpoczęciem użytkowania może spowodować awarię, w wyniku której możesz doznać poważnych obrażeń lub śmierci.

Zawsze postępuj zgodnie z zaleceniami dotyczącymi kontroli i konserwacji oraz harmonogramów w tej instrukcji obsługi.

Aby pomóc Ci właściwie dbać o silnik, na kolejnych stronach znajdują się:

harmonogram konserwacji, rutynowe procedury kontroli i prostota

procedury konserwacji przy użyciu podstawowych narzędzi ręcznych. Inne zadania serwisowe

są trudniejsze lub wymagają specjalnych narzędzi, najlepiej sobie z nimi poradzić

specjalistów i są zwykle wykonywane przez technika firmy Kohler lub inną osobę

wykwalifikowany mechanik.

Harmonogram konserwacji dotyczy normalnych warunków pracy. Jeśli ty

eksploatować silnik w trudnych warunkach, takich jak długotrwałe duże obciążenie

lub pracy w wysokiej temperaturze, bądź użytkowania w wyjątkowo mokrych lub zapylonych warunkach, należy

skonsultować się ze swoim sprzedawcą w celu uzyskania zaleceń dotyczących posiadanego urządzenia.

indywidualnych potrzeb i zastosowań.

Konserwacja, wymiana lub naprawa urządzeń kontroli emisji i systemy mogą być wykonywane przez dowolny zakład zajmujący się naprawą silników lub indywidualnie, przy użyciu części „certyfikowanych” zgodnie ze standardami EPA.

## 6.2 Bezpieczeństwo konserwacji

Poniżej przedstawiono niektóre z najważniejszych środków ostrożności. Jednak nie możemy ostrzegać o wszelkich możliwych zagrożeniach, które mogą wystąpić podczas wykonywania konserwacji. Tylko Ty możesz zdecydować, czy powinieneś wykonać a dane zadanie.



### OSTRZEŻENIE

Niezastosowanie się do instrukcji konserwacji i środków ostrożności może spowodować poważne obrażenia lub śmierć. Zawsze postępuj zgodnie z procedury i środki ostrożności opisane w niniejszej instrukcji obsługi.



### OSTROŻNOŚĆ:

NIGDY nie próbuj samodzielnie podnosić kielni.

ZAWSZE korzystaj z pomocy drugiej osoby przy podnoszeniu kielni.

## 6.2 Bezpieczeństwo konserwacji Ciąg dalszy

### 6.2.1 Korek wlewu paliwa

Zdejmij ten korek, aby dodać benzynę bezołowiową do zbiornika paliwa. Upewnij się, że korek wlewu paliwa jest dobrze dokręcony. Nie przepelniaj.



### 6.2.2 Dźwignia przepustnicy

Dźwignia przepustnicy służy do regulacji prędkości obrotowej silnika (dźwignia wysunięta do przodu WOLNO, dźwignia do tyłu w stronę operatora SZYBKO).



### 6.2.3 Silnik WŁ./WYŁ. Pozycja przełącznika

ON umożliwia uruchomienie silnika, pozycja OFF zatrzymuje pracę silnika.



### 6.2.4 Rozrusznik linkowy (lina)

Metoda ręcznego uruchamiania. Pociągnij uchwyt rozrusznika do momentu wycucia oporu, a następnie pociągnij energicznie i płynnie.



### 6.2.5 Poziom zaworu paliwa

OTWARTY, aby umożliwić przepływ paliwa, ZAMKNIĘTY, aby zatrzymać przepływ paliwa.

### 6.2.6 Dźwignia ssania

Używana podczas uruchamiania zimnego silnika lub w niskich temperaturach, ssanie wzbogaca mieszankę paliwową.

### 6.2.7 Oczyszczacz powietrza

Filtr powietrza zapobiega przedostawaniu się brudu i innych zanieczyszczeń do układu paliwowego. Aby uzyskać dostęp do elementu filtrującego, zdejmij nakrętkę skrzydełkową na górze filtra powietrza kanister.

NOTATKA:

Nie uruchamiaj silnika bez filtra powietrza, z uszkodzonym powietrzem filtr lub filtr wymagający wymiany. Umożliwi to przedostanie się brudu do wnętrza silnika i spowodować jego szybkie zużycie.

### 6.2.8 Świeca zapłonowa

Świeca zapłonowa zapewnia iskrę w układzie zapłonowym. Oczyść iskrę podłączyć raz w tygodniu. Ustaw przerwę świecy zapłonowej na 0,6–0,7 mm (0,028–0,031 cala).

### 6.2.9 Tłumik

Tłumik służy do zmniejszenia hałasu i emisji z silnika.



#### OSTRZEŻENIE

Elementy silnika mogą wytwarzać ekstremalne ciepło. Aby zapobiec poparzeniom, ZRÓB NIE dotykaj tych obszarów podczas pracy silnika lub bezpośrednio po nim operacyjny.

NIGDY nie uruchamiaj silnika ze zdemontowanym tłumikiem.

### 6.2.10 Zbiornik paliwa

W zbiorniku paliwa mieści się benzyna bezołowiowa. Więcej informacji można znaleźć w instrukcja obsługi silnika.

## 7. KONTROLA WSTĘPNA

NIGDY nie używaj zacieraczki w zamkniętym pomieszczeniu lub konstrukcji które nie zapewniają wystarczającego swobodnego przepływu powietrza.

ZAWSZE przed użyciem należy nosić zatwierdzone okulary i środki ochrony słuchu obsługa kielni.

NIGDY nie wkładać rąk ani stóp do pierścieni ochronnych, gdy silnik jest włączony działanie.

ZAWSZE wyłączaj silnik przed wykonaniem jakiegokolwiek czynności konserwacja pacy.

Zaleca się użycie wyłącznika kielni w celu zatrzymania silnika po każdym użyciu. Wykonanie tej czynności pozwoli sprawdzić, czy przełącznik działa prawidłowo i nie stwarza żadnego zagrożenia dla operatora.

## 7.1 Przed uruchomieniem

7.1.1 Przeczytaj wskazówki dotyczące bezpieczeństwa znajdujące się na początku niniejszej instrukcji.

7.1.2 Oczyszczyć zacieraczkę usuwając brud i kurz, zwłaszcza z wnętrza wlotu powietrza chłodzącego silnik, gaźnik i filtr powietrza.

7.1.3 Sprawdź filtr powietrza pod kątem zanieczyszczeń i kurzu. Jeżeli filtr powietrza jest zabrudzony, należy go wymienić w razie potrzeby z nowym.

7.1.4 Sprawdź gaźnik pod kątem zewnętrznych zanieczyszczeń i kurzu. Wyczyść go na sucho skompresowane powietrze.

7.1.5 Sprawdź dokręcenie nakrętek i śrub mocujących.

## 7.2 Kontrola oleju silnikowego

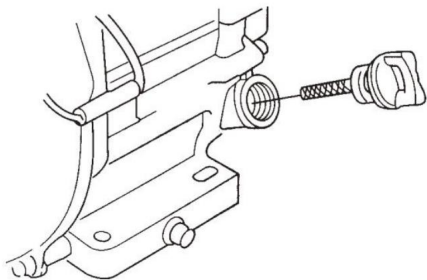
7.2.1 W celu sprawdzenia poziomu oleju silnikowego zacieraczkę należy umieścić na bezpiecznym miejscu równym podłożu przy wyłączonym silniku.

7.2.2 Wyjmij prętowy wskaźnik poziomu z otworu wlewu oleju silnikowego (RYS. 2) i wytrzyj go do czysta.

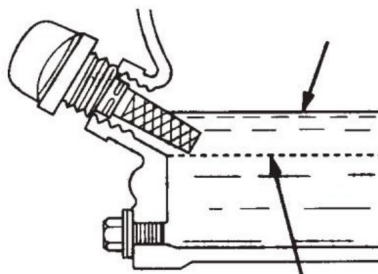
7.2.3 Włóż i wyjmij bagnet bez wkręcania go w szyjkę wlewu.

Sprawdź poziom oleju wskazany na bagnecie.

7.2.4 Jeżeli poziom oleju jest niski (RYS. 3), napełnić do krawędzi otworu wlewu olejem zalecany z olejem do silników czterosuwowych SAE10W-30. Maksymalna pojemność oleju wynosi 400 cm<sup>3</sup>.



RYS.2



RYS.3

### 7.3 Kontrola paliwa

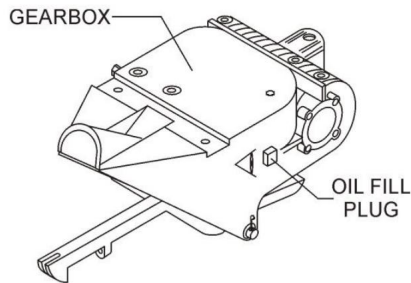
Paliwa silnikowe są wysoce łatwopalne i mogą być niebezpieczne w przypadku nieprawidłowego obchodzenia się z nimi.

**NIE** palić podczas tankowania. **NIE** próbuj uzupełniać paliwa w kielni, jeśli silnik jest gorący lub pracuje.

7.3.1 Zdejmij korek benzyny znajdujący się na górze zbiornika paliwa.

7.3.2 Sprawdź wzrokowo, czy poziom paliwa jest niski. Jeśli paliwa jest mało, uzupełnij je Benzyna 89-oktanowa.

7.3.3 Podczas tankowania pamiętaj o zastosowaniu filtra siatkowego do filtracji. **NIE** dopełniaj paliwo. Wytrzymaj rozlane paliwo.



RYS.4

### 7.4 Olej w skrzyni biegów

7.4.1 Sprawdź, czy poziom oleju w skrzyni biegów jest niski, wykręcając znajdujący się na nim korek oleju stronie

skrzynia biegów. Wtyczka ta będzie oznaczona naklejką „check”. Patrz FIG. 4. prawidłowy poziom oleju smarowego powinien sięgać dna korka wlewu.

7.4.2 Jeżeli po odkręceniu korka spustowego zacznie wyciekać olej smarowy, wówczas można założyć, że w skrzyni biegów znajduje się wystarczająca ilość oleju.

7.4.3 Jeżeli po odkręceniu korka spustowego nie wypłynie olej smarowy, napełnić olejem do smarowania przekładni typu ISO 680, aż do przepełnienia otworu wlewowego oleju.

### 7.5 Kontrola paska klinowego

Zużyty lub uszkodzony pasek klinowy może niekorzystnie wpłynąć na wydajność Twojego samochodu kielnia elektryczna. Jeżeli pasek klinowy jest uszkodzony lub zużyty, wystarczy go wymienić zgodnie z opisem w części poświęconej konserwacji w tej instrukcji.

## 7.6 Kontrola ostrza

Przed rozpoczęciem sprawdź, czy ostrza nie są zużyte lub uszkodzone. Jeśli jedno ostrze jest zużyte podczas gdy inne wyglądają na nowe, może to wynikać z problemu z podziałką łopatek. Instrukcje dotyczące konserwacji znajdują się w części niniejszej instrukcji dotyczącej konserwacji procedura regulacji nachylenia ostrza. Wymień zużyte ostrza.

## 7.7 WYŁĄCZNIKI BEZPIECZEŃSTWA

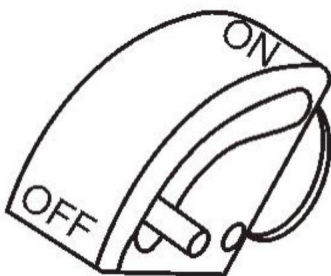
Zacieraczka ta została wyposażona w wyłącznik bezpieczeństwa. Zabójstwo bezpieczeństwa przełączniki należy sprawdzać przy każdym uruchomieniu silnika.

### NOTATKA

**NIGDY!** wyłącz lub odłącz wyłącznik awaryjny. Jest to przewidziane bezpieczeństwo operatora. Uszkodzenie może nastąpić w przypadku wyłączenia, odłączenia lub niewłaściwie konserwowany.

## 7.8 WYŁĄCZNIK NACIŚNIĘCIA UCHWYTU

Na rurze rękkości głównej znajduje się czerwony włącznik (RYS. 5). Przełączanie mechanizm tego wyłącznika powinien działać swobodnie i należy go zawsze konserwować W tym stanie. Gdy przełącznik znajduje się w pozycji OFF, silnik nie powinien zacząć lub biec. Celem tego przełącznika jest zatrzymanie silnika podczas niekontrolowanej jazdy sytuacji (tj. operator zwalnia uchwyt podczas pracy).



RYS.5

**NIE** pozostawiaj maszyny nieużywanej z silnikiem pracującym na wysokich obrotach przez dłuższy czas wydłużony okres czasu. Spowoduje to przedwczesne zużycie paska lub może go zniszczyć pasek.

**ZAWSZE** ustawiaj prędkość obrotową silnika na jałową, gdy sprzęgło ręczne jest wyłączone.

## 8. PIERWSZE URUCHOMIENIE

Podnoszenie kielni na płytę

### 8.1 Pomocnicza rura podnosząca

Wyjmij pomocniczą rurę do podnoszenia znajdującą się na górze głównego uchwytu. Wstawić rurkę do gniazda znajdującego się po przeciwnej stronie skrzyni biegów Uchwyt. Upewnij się, że otwór w rurze łączy się z kołkiem w rurce gniazdo elektryczne. Jedna osoba podnosi za główny uchwyt, a druga podnosi z pomocniczej rury podnoszącej podnieś maszynę, aby przenieść ją na płytę.



### OSTRZEŻENIE

Kielnia musi być stabilizowana przez osobę niosącą kielnię uchwyt. Jeśli nie jest odpowiednio ustabilizowany, rączka może się obracać i obrócić kielnię, powodując w ten sposób uszkodzenie kielni i korpusu obrażenia.

### 8.2 Podnoszenie beli

Podnoszenie beli jest opcjonalne w przypadku nowych zacieraczek. Zapewnia optymalny punkt podnoszenia poruszanie kielnią. Do uniesienia kielni na platformę można użyć wózka widłowego lub beli budynek z dźwigiem.

Zdecydowanie zaleca się używanie dźwigu do przemieszczania maszyny z podnoszoną belą, ponieważ jest ona całkowicie bezpieczna dla maszyny. Należy zachować szczególną ostrożność, gdy jednak podnieść maszynę z ziemi. Poważne uszkodzenie maszyny lub obrażenia ciała mogą być spowodowane upuszczeniem kielni.

### 8.2 Ciąg dalszy podnoszenia beli

Celem tej części jest pomoc operatorowi w pierwszym uruchomieniu urządzenia kielnia prowadzona. Przeczytanie tej sekcji jest niezwykle ważne ostrożnie przed próbą użycia kielni na polu.

NIE używaj kielni, dopóki nie zostanie dokładnie zrozumiany ten rozdział.



### OSTRZEŻENIE

NIE WOLNO próbować używać kielni przed zapoznaniem się z przepisami dotyczącymi bezpieczeństwa. Ogólne Przeczytano rozdziały „Informacje” i „Przegląd” w tej instrukcji i dokładnie zrozumiane. W zależności od producenta silnika,

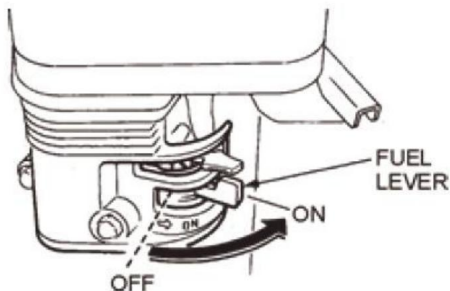
kroki operacyjne mogą się różnić. Zobacz działanie producenta silnika podręcznik.

## 9. URUCHOMIENIE SILNIKA

9.1 Ustawić dźwignię zaworu paliwa silnika (RYS. 6) w pozycji „ON”.

9.2 Dźwignię przepustnicy zacieraczki (RYS. 1) ustawić w pozycji „JAŁOWE”.

9.3 Ustaw dźwignię ssania (RYS. 7) w pozycji „ZAMKNIĘTE” w przypadku uruchamiania a zimny silnik.



RYS.6

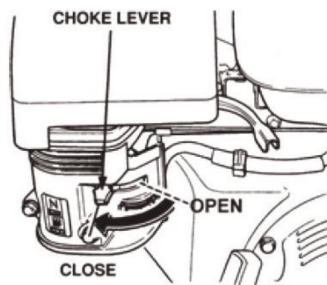
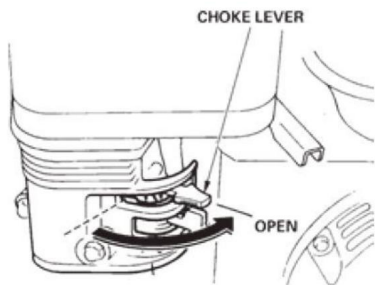


FIG.7

9.4 Jeśli rozpoczynasz rozgrzewanie, ustaw dźwignię ssania (RYS. 8) w pozycji „OTWARTE”.

silnik lub temperatura jest wysoka.

9.5 Ustawić włącznik/wyłącznik silnika (RYS. 9) w pozycji „ON”.



RYS.8

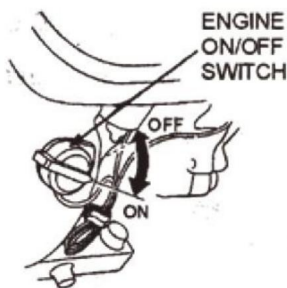
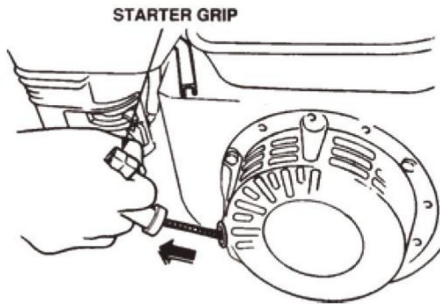


FIG.9

9.6 Chwyć uchwyt rozrusznika (RYS. 10) i powoli go wyciągnij. Opór staje się najtrudniejszy w określonej pozycji, odpowiadającej

punkt kompresji. W celu uruchomienia energicznie i płynnie pociągnij za uchwyt rozrusznika.

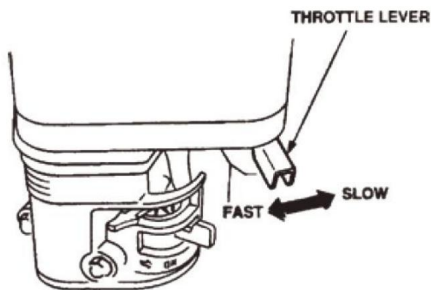


RYS.10

9.7 Jeżeli silnik się uruchomił, powoli przesunąć dźwignię ssania (RYS. 7) do pozycji Otwarta pozycja. Jeśli silnik nie uruchomił się, powtórzyć kroki od 1 do 6.

9.8 Przed oddaniem zacieraczki do pracy należy uruchomić silnik na kilka minut. Sprawdzić, czy nie ma wycieków paliwa i odgłosów, które mogłyby wiązać się z luzem Osłona lub element paska klinowego.

9.9 Aby rozpocząć zacieranie należy przesunąć dźwignię przepustnicy (RYS. 11) w położenie „SZYBKO”.



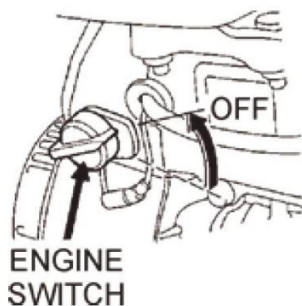
RYS.11

## 10. ZATRZYMANIE SILNIKA

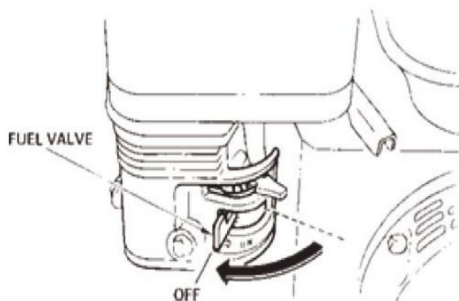
10.1 Przesunąć dźwignię przepustnicy do pozycji JAŁOWEJ lub WOLNEJ (RYS. 11) i uruchomić silnik na trzy minuty na niskich obrotach.

10.2 Po ostygnięciu silnika przekręcić włącznik/wyłącznik silnika do pozycji „OFF” (RYS. 12).

10.3 Zamknąć zawór odcinający paliwo (RYS. 13) przesuwając dźwignię zaworu paliwa do pozycji WYŁ.



RYS.12



RYS.13

## 11. OBSŁUGA

Poniższe kroki mają służyć jako podstawowy przewodnik po obsłudze maszyny i nie należy ich uważać za kompletny przewodnik po wykańczaniu betonu. Czytać więcej informacji znajdziesz w części „Szkolenie” tej instrukcji.

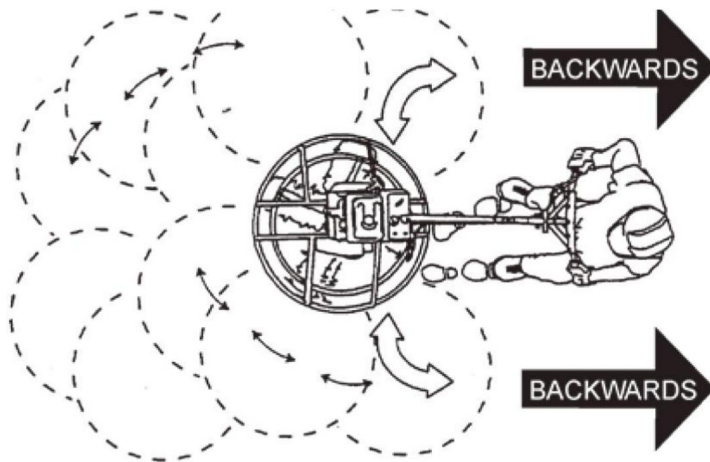
### 11.1 Manewrowanie kielnią

11.1.1 Zajmij stanowisko operatora za uchwytem. Z bezpiecznym oparcie stopy i mocny chwyt na uchwytach powoli zwiększając prędkość obrotową silnika aż do uzyskania żądanej prędkości ostrza.

11.1.2 Aby manewrować zacieraczką, delikatnie unieś lub dociśnij główny element uchwyt kielni.

Aby przesunąć maszynę w lewo od operatora, podnieś uchwyt, aby przesunąć maszynę w prawo, naciśnij uchwyt.

11.1.3 Wyreguluj nachylenie ostrza na uchwycie standardowym, obracając pokrętko Wyreguluj koło w prawo lub w lewo. • Aby przesunąć kielnię w lewo od operatora, należy podnieść uchwyt, aby przesunąć kielnię w prawo wciśnij uchwyt. • Pamiętaj! że jeśli puścisz kielnię, po prostu odsuń się i pozwól kielnia całkowicie się ZATRZYMA przed próbą odzyskania kielni. • Najlepszą metodą wykańczania betonu jest powolne cofanie się za pomocą pacy, prowadząc kielnię z boku na bok. To obejmie wszystko ślady na mokrym betonie.



RYS.14



## OSTRZEŻENIE

NIGDY nie wkładaj stóp ani rąk do pierścieni ochronnych podczas uruchamiania lub obsługi tego urządzenia.

Podczas obsługi tego urządzenia ZAWSZE trzymaj się z daleka od obracających się lub ruchomych części.

## 12. OPCJE AKCESORIÓW

### 12.1 Ostrza

#### NOTATKA

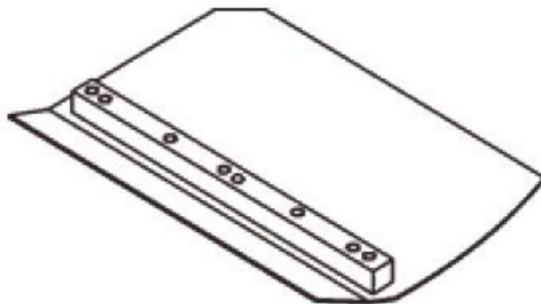
Ostrza należy wymienić, jeśli nie wykończą betonu w zadowalający sposób.

Ostrza są istotną częścią wykańczania betonu. Kielnia ta została zaprojektowana do wykańczania betonu i jest zbudowana zgodnie z rygorystycznymi normami jakości, z najlepszej stali kielni. Jeśli potrzebujesz wymiennych ostrzy, sprawdź listę części w tej instrukcji, aby uzyskać numery części.

### 12.2 Ostrza typu Combo Ta

kielnia została wyposażona w ostrza typu FLOAT/FINISH (RYS. 15) jako oryginalne wyposażenie. Ostrza te zostały zaprojektowane z myślą o optymalnej wydajności zarówno w operacjach zacierania, jak i wykańczania. Te

Ostrza są wszechstronne i powinny zaspokoić większość potrzeb związanych z zacieraniem.



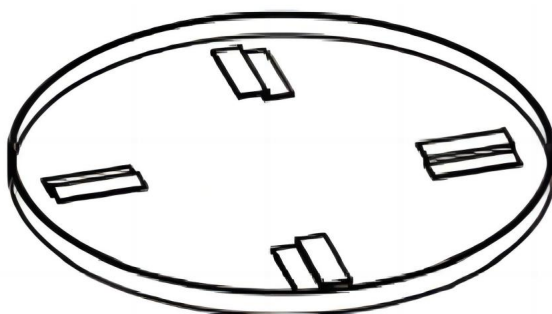
RYS.15

### 12.3 Ostrza wykańczające (opcjonalnie)

Ostrza te zostały specjalnie zaprojektowane do prac wykończeniowych za pomocą tej kielni. Zapewniają doskonałe możliwości wykończenia powierzchni za pomocą pacy. Należy ich używać dopiero po stwardnieniu betonu, w którym kielnia nie zagłębia się w beton po umieszczeniu na nim.

### 12.4 Pływające ostrza zatraskowe (opcjonalnie)

Ostrza te mocuje się (RYS. 16) do już zainstalowanego ostrza, umożliwiając wykańczarce unoszenie się na „mokrym” betonie, dzięki czemu operacja zacierania może rozpocząć się tak wcześnie, jak to możliwe. Można je łatwo zdemontować, dzięki czemu po operacji zacierania, gdy beton dostatecznie stwardnieje, można je usunąć, aby odsłonić ostrza wykończeniowe do dalszego zacierania.



RYS.16

### 12,5 Tarcze pływakowe (opcjonalnie)

Te okrągłe dyski mocowane są do pająków i umożliwiają maszynie „unoszenie się” na „mokrym” betonie. Konstrukcja dysku umożliwia wczesne unoszenie się na wodzie i łatwy ruch

z obszarów mokrych do suchych. Są również bardzo skuteczne w osadzaniu dużych kruszywa i utwardzające powierzchniowe.

## 13. KONSERWACJA

### 13.1 Harmonogram konserwacji

#### Codziennie (8-10 godzin)

1. Sprawdź poziom oleju w skrzyni korbowej silnika i skrzyni biegów, uzupełnij wg niezbędny.
2. Sprawdź pasek klinowy.

#### Tygodniowy (50-60 godzin)

1. Nasmaruj ramiona, kołnierz oporowy i sprzęgło
2. W razie potrzeby wymień ostrza.
3. Sprawdź i wyczyść lub wymień filtr powietrza silnika, jeśli to konieczne.
4. W razie potrzeby wymień olej silnikowy i filtr, patrz instrukcja silnika.

#### Miesięcznie (200-300 godzin)

1. Wymontuj, wyczyść, zamontuj ponownie i nasmaruj ramiona i kołnierz oporowy. Poprawić ramiona z ostrzami.

#### Rocznie (2000-2500 godzin)

1. Sprawdź i w razie potrzeby wymień tuleje wahaczy, tuleje kołnierza oporowego i uszczelnienia wału.
2. Sprawdź kable sterujące pochyleniem pod kątem zużycia.
3. Dostosuj prędkość ostrza.

### 13.2 Regulacja ramienia kielni

Aby sprawdzić i wyregulować ramiona kielni, należy zastosować się do poniższej procedury zużyte lub uszkodzone elementy, gdy okaże się, że kielnia jest słabo wykończona lub wymagające rutynowej konserwacji. Poszukaj poniższych wskazania. Przyczyną może być ustawienie ramion kielni, zużyte tuleje krzyżowe lub wygięte ramiona kielni. • Czy ostrza zużywają się nierównomiernie? Czy jedno ostrze jest całkowicie zużyte podczas inne wyglądają na nowe?

- Czy maszyna po włączeniu odczuwa zauważalne toczenie się lub podskakiwanie?

używać?

- Spójrz na pracującą maszynę; czy pierścienie ochronne „podskoczą i w dół” w stosunku do ziemi?

### 13.2.1 Umieść kielnię na PŁASKIM, POZIOMYM terenie.

Niezbędne jest równe, czyste miejsce do przetestowania kielni przed i po. Każdy nierówne plamy na podłodze lub zanieczyszczenia pod łopatkami zacieraczki spowodują nieprawidłowe postrzeganie dostosowania. Idealnie, 5x5 Ft. (1,5 x 1,5 metra) należy użyć PŁASKIEJ blachy stalowej o grubości trzech czwartych cala (19 mm).

testowanie.

13.2.2 Rozstaw ostrza tak płasko, jak to możliwe. Śruby regulacyjne powinny wystarczyć ledwo styka się z dolną płytą ścierną na spiderboxie. Jeśli ktoś jest nie nawiązuje kontaktu, konieczna będzie regulacja. (RYS. 17, FIG. 4).

## 13.2 Regulacja ramienia kielni, ciąg dalszy

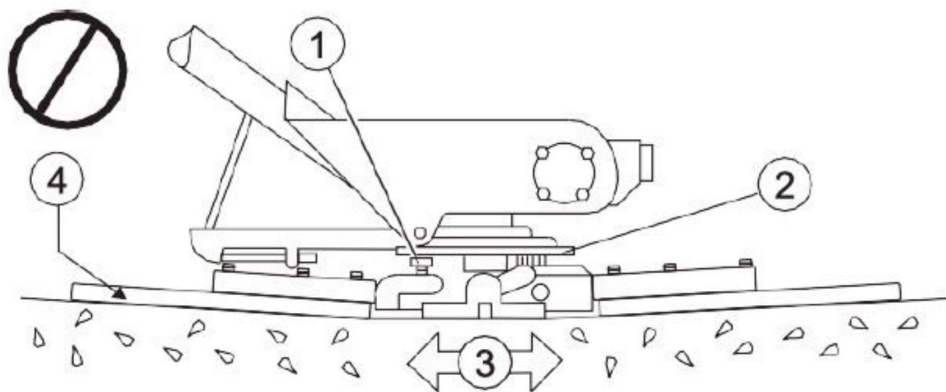
FIG.17 przedstawia „nieprawidłowe ustawienie”, zużyte lub wygięte tulejki pająka ramiona kielni. Sprawdź, czy śruba regulacyjna ledwo dotyka (maks. luz 0,10 cala) dolnej płyty ściernej. Wszystkie śruby wyrównujące powinny być rozmieszczone w odstępie w tej samej odległości od dolnej płyty ściernej.

1 śruba regulacyjna

2 Dolna płyta ścierna

3 Powierzchnia

4 Efekt „wgłębienia” na gotowym betonie



RYS.17

## 13.3 Demontaż ostrza kielni

13.3.1 Zdjąć łopatki kielni z ramienia kielni, zdejmując je obydwa śruby z łbem sześciokątnym od ramienia kielni. Odłóż ostrza na bok.

13.3.2 Za pomocą szczotki drucianej nagromadzony beton ze wszystkich sześciu stron kielni ramię. Powtórz tę czynność dla pozostałych trzech ramion.

## 13.4 Ponowny montaż

13.4.1 Oczyszczyć i sprawdzić górne/dolne płytki ściernalne oraz docisnąć kołnierz.

13.4.2 Sprawdź cały zespół pająka. Szczotka druczana dowolny beton lub osadzanie się rdzy. Jeżeli okaże się, że jakiegokolwiek elementy pająka są uszkodzone lub zniekształcone, wymień go.

13.4.3 Zamontować ponownie tuleję z brązu na ramionach kielni.

13.4.4 Powtórzyć powyższe kroki dla każdego ramienia kielni.

13.4.5 Upewnij się, że napinacz sprężyny znajduje się w odpowiedniej pozycji do wywarcia nacisku napięcia ramienia kielni.

13.4.6 Po zamontowaniu tulei z brązu włożyć wszystkie ramiona kielni z dźwigniami w płycie pająka.

13.4.7 Zachowaj ostrożność, aby wyrównać otwór smarowy na tulei z brązu z Pasowanie otworu smarowego na płycie pająka.

13.4.8 Zablokuj ramiona kielni dokręcając śrubę z łbem sześciokątnym zerkowa złączka do smarowania i przeciwnakrętka.

13.4.9 Zamontować ponownie ostrza na ramionach kielni.

13.4.10 Zamontować pierścień stabilizatora na zespole pająka.



### OSTRZEŻENIE

Odłącz przewód świecy zapłonowej od świecy zapłonowej i zabezpiecz ją z dala od silnik przed przystąpieniem do konserwacji lub regulacji maszyny.

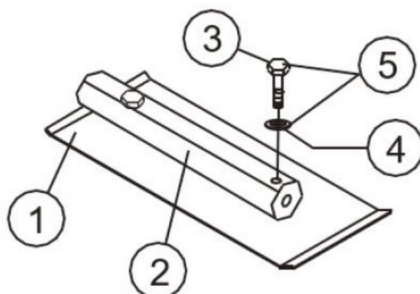
Ostrze

Ramię ostrza

Śruba z łbem sześciokątnym

Podkładka zabezpieczająca

Usuń z ramienia



## 13.5 Zmiana

FBILGa.d1e8s

## Tylko

Zalecamy jednoczesną wymianę wszystkich ostrzy. The

W przeciwnym razie kielnia może się chwiać lub odbijać.

13.5.1 Ustawić maszynę na płaskiej, poziomej powierzchni. Dostosuj nachylenie ostrza kontrolę, aby ostrza były jak najbardziej płaskie.

NOTATKA

Zwróć uwagę na ustawienie ostrzy na ramieniu kielni.

13.5.2 Odkręć dwie śruby i zablokuj podkładki mocujące ostrze ramię kielni.

13.5.3 Zdejmij ostrze.

13.5.4 Za pomocą szczotki drucianej zeszkrobać wszystkie cząsteczki betonu i odkuć gruz z ramienia kielni.

13.5.5 Zamontować nowe ostrze kielni na ramieniu kielni. Upewnij się, że ostrze jest zamontowane prawidłowo, zachowując właściwą orientację kierunku obrotu.

13.5.6 Zamontuj ponownie dwie śruby i podkładki zabezpieczające mocujące ostrze do ramię kielni. Mocno dokręć śruby.

13.5.7 Powtórz kroki dla wszystkich pozostałych ostrzy.

13.6 Instalowanie patelni na ostrzach finiszera



### OSTRZEŻENIE

Ryzyko podniesienia/zmiażdżenia.

NIE podnosić kielni z zamontowanymi patelniami.

ZAWSZE instaluj patelnie w miejscu pracy lub w obszarze następnym do/na poziomie obszaru roboczego.

NIE podnosić kielni, gdy patelnie są przymocowane.

13.6.1 Podnieś kielnię na tyle, aby wsunąć patelnię pod łopatki. Z ostrza przylegające do zacisków Z, opuść moduł wykańczający na patelnię.

13.6.2 Obróć ostrza do pozycji pod zaciskami Z. Upewnij się, że Gdy maszyna jest włączona, ostrza obracają się w kierunku jazdy

operacja. Możesz też użyć silnika, aby obrócić ostrza w odpowiednie miejsce.

13.6.3 Przymocuj mocowania ostrzy do dalszej strony wsporników Z-clip za pomocą pokrętła do mocowania.

13.6.4 Przed ponownym uruchomieniem maszyny należy sprawdzić aby krawędzie ostrzy były zabezpieczone pod zaciskami Z.

13.6.5 Przed ponownym uruchomieniem maszyny należy sprawdzić aby elementy mocujące były mocno zamocowane na krawędziach ostrza.

## 13.7 Demontaż Spider Boxa

13.7.1 Po stwierdzeniu, że wymagana jest regulacja, usuń montaż pająka z wału skrzyni biegów w następujący sposób:

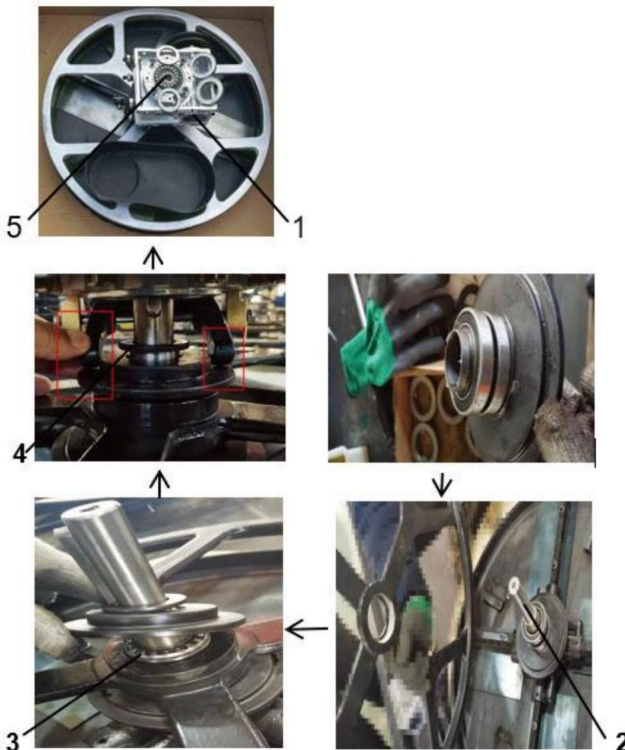
13.7.2 Wymontować złączkę zerkową i śrubę z łbem sześciokątnym oznaczonym przez listy".

13.7.3 Po przeciwnej stronie łącznika krzyżowego znajduje się kolejna złączka zerk i śruba imbusowa. Usuń oba te elementy.

13.7.4 Zdejmij górny zespół kielni z zespołu pająka.

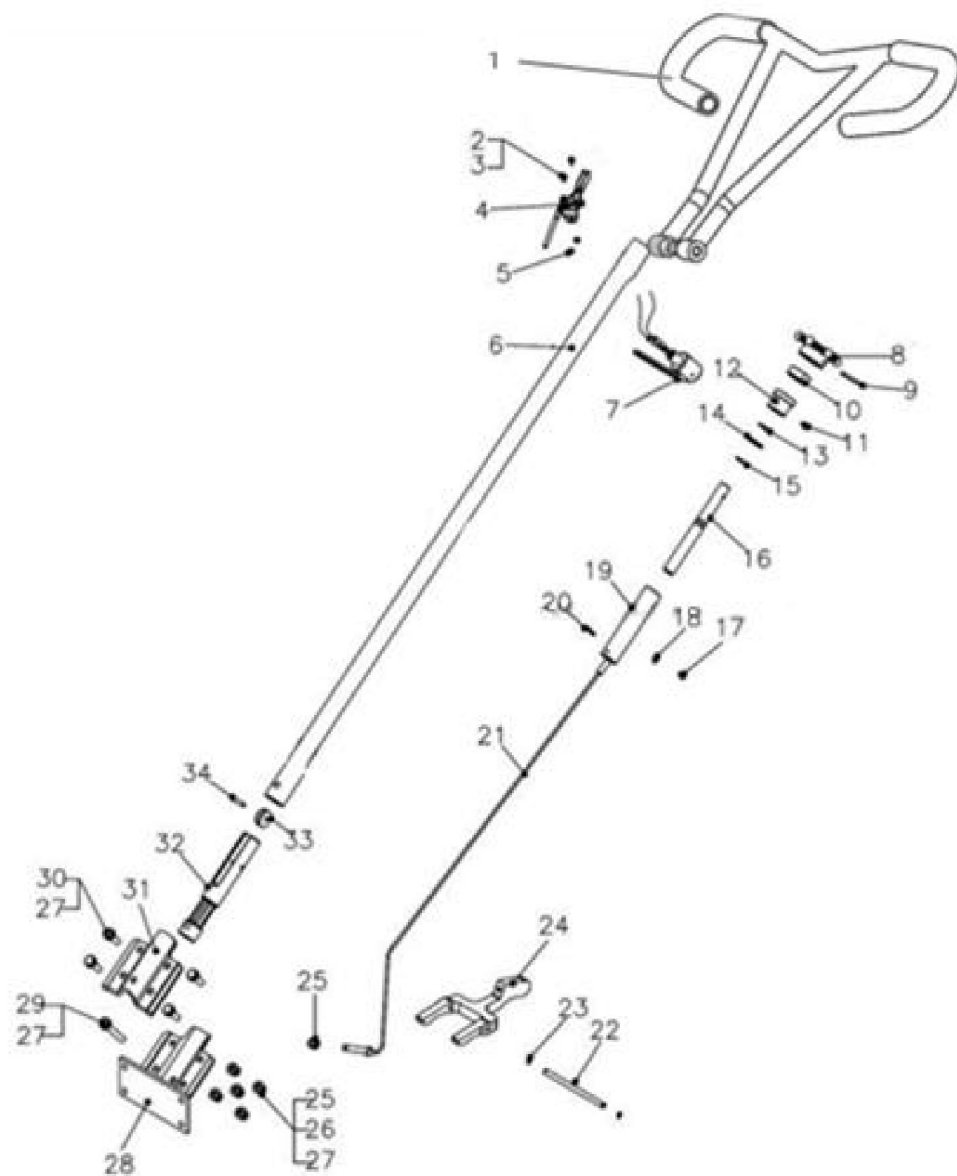
NOTATKA

Aby usunąć pająka, może być konieczne lekkie uderzenie gumowym młotkiem z głównego wału skrzyni biegów.



## 14 Lista części

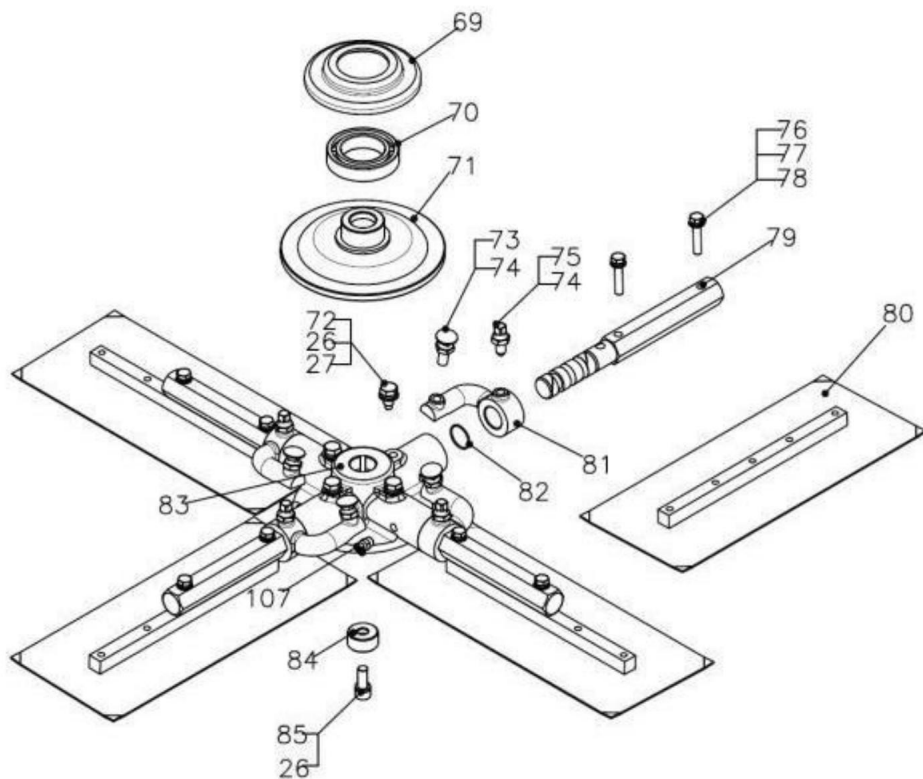
### Uchwyt



REF Nr	części	Opis	ILOŚĆ	Wymiar
1	RG-003	Plastikowa obudowa	2	
2	QSC-M4*8	Śruba	2	M4x8
3	QWS-PM4	Podkładka do płyt	2	M4
4	TSA-01	Zespół przepustnicy.	1	
5	QNT-NM4	Uchwyt	2	M4
6	W436F-001	nakrętki Nylock	1	
7	PAS-02	WA Wyłącznik stopu (pręt zwalniający Typ)	1	
8	436F-01-001	Wyreguluj śrubę	1	
9	QSP-5X50	łożyska sworznia	1	5x50
10	QBR-51104	sprężyny	1	
11	QBL-M6X10	pokrętła	1	M6x10
12	436F-01-004	Przewodnik aluminiowy	1	
13	QWS-WM19	Pralka Falowa	1	M19
14	QWS-PM19	Podkładka do płyt	1	M19
15	QSR-S18	Pierścień zatraskowy	1	S18
16	436F-01-002	Wyreguluj rurę śrubową	1	
17	QBL-M6X8	Śruba	1	M6X8
18	QWS-PM6	Podkładka sprężysta	1	M6
19	436F-01-003 20	Przewodnik po śrubach	1	
	QSP-5X30	Wiosenna szpilka	1	5X30
21	436F-01-007 WT	Stalowy drut	1	
22	436F-02-004	Sworzeń ramienia jarmza	1	
23	QSR-S10	Pierścień zatraskowy	2	S10
24	436F-02-003 B	Ramię jarmzowe	1	
25	QNT-NM10	Nakrętka Nylock	10	M10
26	QWS-SM10	Podkładka sprężysta	14	M10
27	QWS-PM10	Podkładka do płyt	18	M10
28	436F-02-001	Podstawa podtrzymująca uchwyt	1	

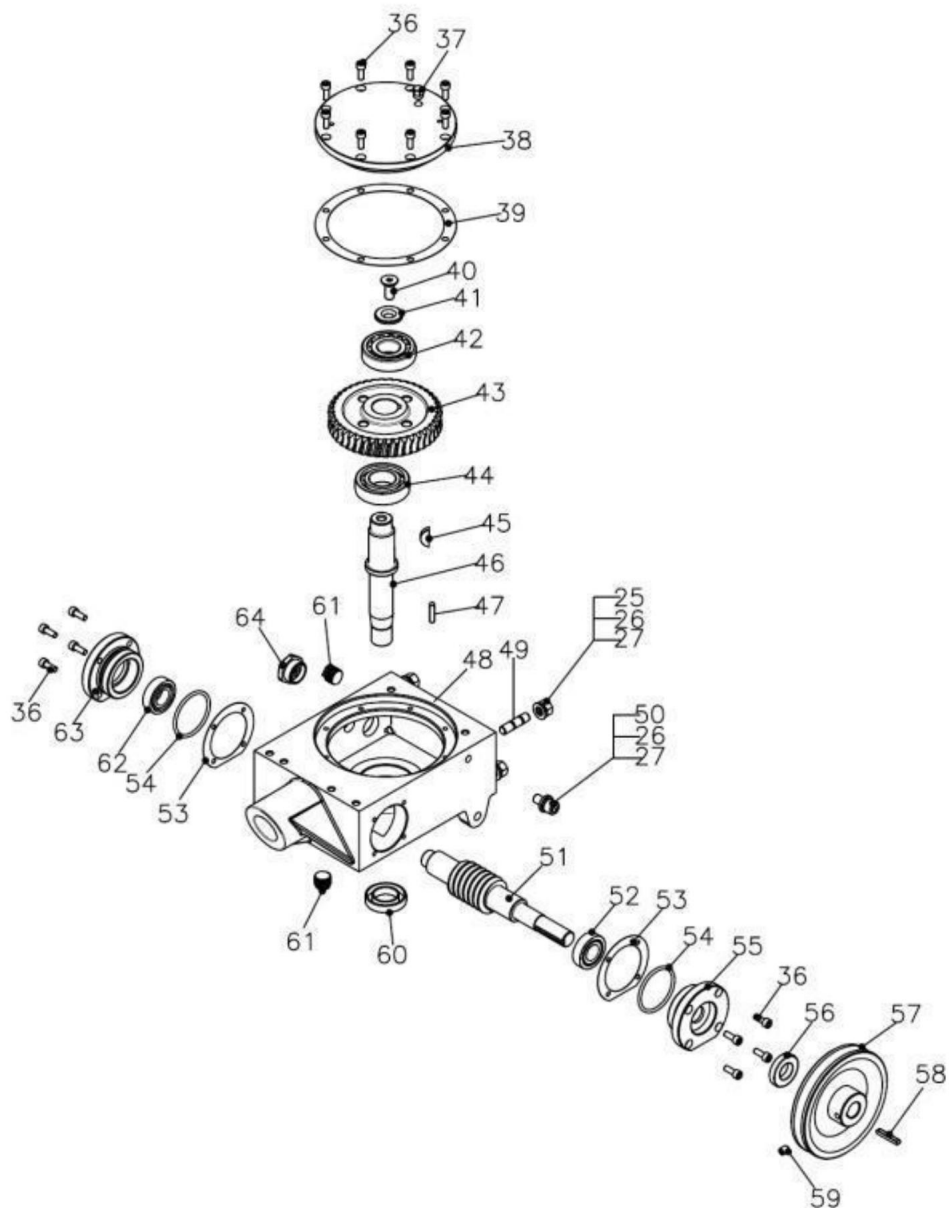
29QBL-M10X70		Śruba	1	M10X70
30QBL-M10X35		Śruba	4	M10X35
31	436F-02-002	Górny wspornik	1	
32	436F-01-005	Jarżmo aluminiowe	1	
33	436A-01-010	Koło	1	
34	QSP-3X30	Wiosenna szpilka	1	3X30

## Ostrze



NR NR	Nr części	Opis	ILOŚĆ	Wymiar
26	QWS-SM10	Podkładka sprężysta	5	M10
27	QWS-PM10	Podkładka do płyt	4	M10
69	436F-02-005B	Naciśnij zaślepkę płytki	1	
70	QBR-6009	Łożysko	1	6009
71	436F-02-006B	Naciśnij zaślepkę płytki	1	
72	QBL-M10X20	Śruba	4	M10X20
73	QBL-BBM10X35	Śruba z łbem okrągłym	4	M10X35
74	QNT-TM10	Cienka nakrętka	8	M10
75	QBL-SHM10X30	Śruba z łbem kwadratowym 76	4	
	QBL-7/16X11/2	Śruba	8	7/16*3/2L
77	QWS-SM8	Podkładka sprężysta	8	M8
78	QWS-PM8	Podkładka do płyt	8	M8
79	436F-02-009B	Ramię Ostrza	4	
80	436F-02-014	Zespół ostrza	4	
81	436F-02-008	Ramię przechyłne	4	
82	ZAPIS-S22	O-ring	4	22x1,5t
83	436F-02-007B	Pająk	1	
84	436F-02-010	Tuleja pająka	1	
85	QBL-LM10X30	Śruba gniazdowa	1	M10x30

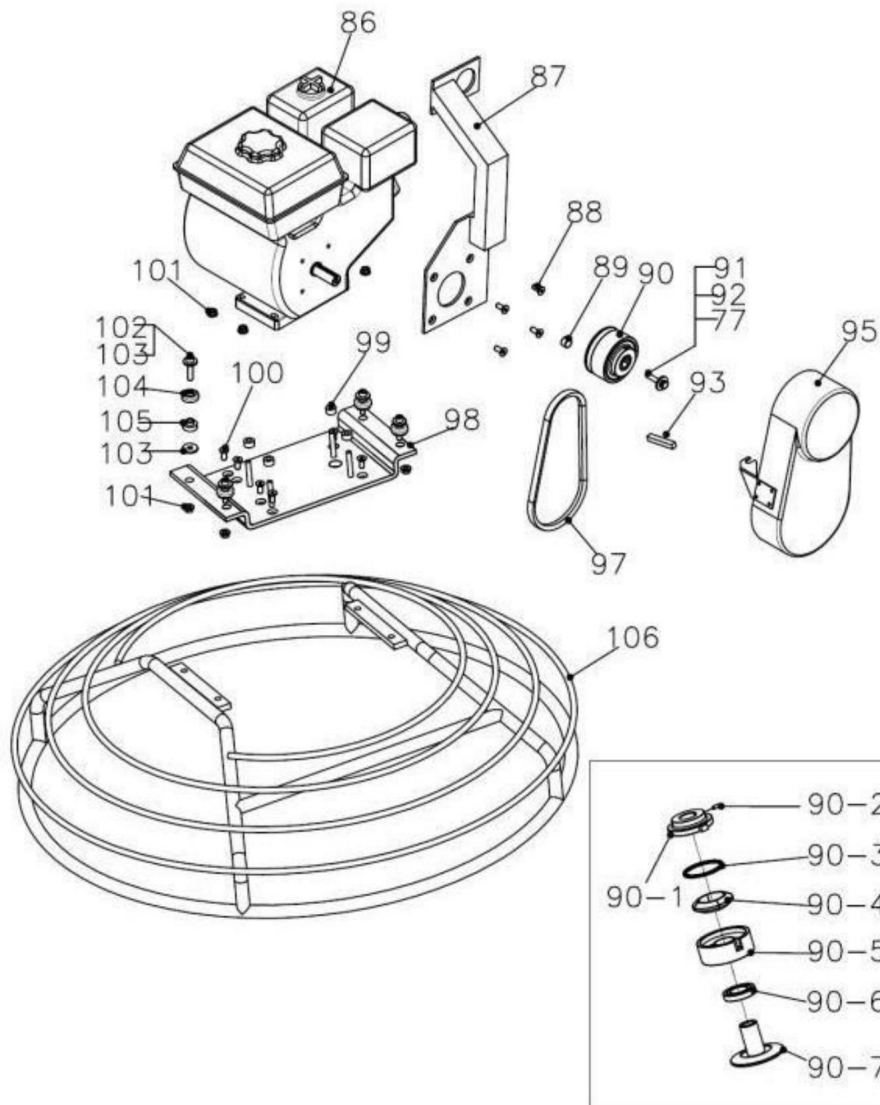
Skrzynia biegów



NR NR	Nr części	Opis	ILOŚĆ	Wymiar
	436F-03	Zespół skrzyni biegów	1	
25	QNT-NM10	Nakrętka Nylock	4	M10
26	QWS-SM10	Podkładka sprężysta	5	M10
27	QWS-PM10	Podkładka do płyt	5	M10
36	QBL-M6X16	Śruba	16	M6X16L
37	QRV-M8	Zawór spustowy	1	
38	436F-03-004	Duża okładka	1	
39	436F-03-005	Uszczelka dużej pokrywy	1	
40	QBL-FHM10x25	Śruba z łbem gniazdowym płaskim	1	M10x25
41	QWS-SSM10	Pralka	1	M10
42	QBR-30305	Łożysko	1	30305
43	436F-03-008	Przekładnia robakowa	1	
44	QBR-6206	Łożysko	1	6206
45	QKY-W6X10X25	Klucz do drewna	1	6X10X25
	436F-02-012	Główny szyb	1	
47	QKY-6X25	Klucz	1	6X25
48	436F-03-001	Powłoka	1	
49	QBL-STM10x40	Sklep ze stadninami	4	M10x40
50	QBL-M10X16	Śruba	1	M10X16
51	436F-03-007	Wał Robaka	1	
52	QBR-32004	Łożysko	1	32004
53	436F-03-006	Uszczelka pokrywy bocznej	2	
54	ZAPIS-P55	Pierścień uszczelniający	2	55x3,5t
55	436F-03-003	Pokrywa boczna wyjścia	1	
56	QOS-20X40X8	Uszczelka olejowa	1	
57	436F-04-005	Krażek linowy	1	
58	QKY-5X35	Klucz	1	5X35
59	QBL-M8X10	Śruba	1	M8X10
60	QOS-27X47X10	Uszczelka olejowa	1	27X47X10
61	436A-03-008WT	Spust oleju	2	
62	QBR-6004	Łożysko	1	6004

63	436F-03-002	Boczna okładka	1	
64	QOCW-M27x1,5	Okienka do kontroli oleju	1	M27x1,5

Pierścień bezpieczeństwa



NR NR	Nr części	Opis	ILOŚĆ	Wymiar
77	QWS-SM8	Podkładka sprężysta		M8
86	GX160	Silnik GX-160	1	
87	W436F-005	Podnośnik hakowy	1	
88	QBL-SHM8X20	Śruba z łbem gniazdowym	4	
89	436F-04-013	Magistrala sprzęgła	1	
90	CA-01	Sprzęgło	1	
90-1	CA-01-004	Przedni panel	1	
90-2	QBL-AM8x16	Śruba ustalająca	2	M8x16
90-3	CA-01-005	Sprężyna sprzęgła	1	
90-4	CA-01-003	Waga buta	1	
90-5	CA-01-002	Bęben sprzęgła	1	
90-6	QBR-6006	Łożysko	1	6006
90-7	CA-01-001	Wał sprzęgła	1	
91	QBL-M8X35	Śruba	1	M8X35
92		Specjalna podkładka płytowa QWS-SPM8	1	M8
93	QKY-5x5x50	Klucz	1	5x5x50
95	436F-04-006	Ośłona paska	1	
97	QBT-A26	Pasek klinowy	1	A26
98	W436F-002	Płyta mocowania silnika	1	
99	436F-04-107	Tuleja mocowania silnika	4	
100	QBL-FHM8X20	Śruba z łbem płaskim 101	4	M8X20
	QNT-M8	Orzech	8	M8
102	QBL-LM8X40	Śruba z łbem gniazdowym	4	M8X40
103	QWS-PM8		8	M8
104	436F-04-004	Filiżanka	4	
105	436F-04-003	Guma	4	
106	W436F-004B	Pierścień bezpieczeństwa	1	



**VEVOR**®

**TOUGH TOOLS, HALF PRICE**

Wsparcie techniczne i certyfikat e-gwarancji

[www.vevor.com/support](http://www.vevor.com/support)

# VEVOR®

**TOUGH TOOLS, HALF PRICE**

Technische ondersteuning en e-garantiecertificaat [www.vevor.com/support](http://www.vevor.com/support)

## **KRACHT TROFFEL**

**MODEL: HMR950, HMR1200**

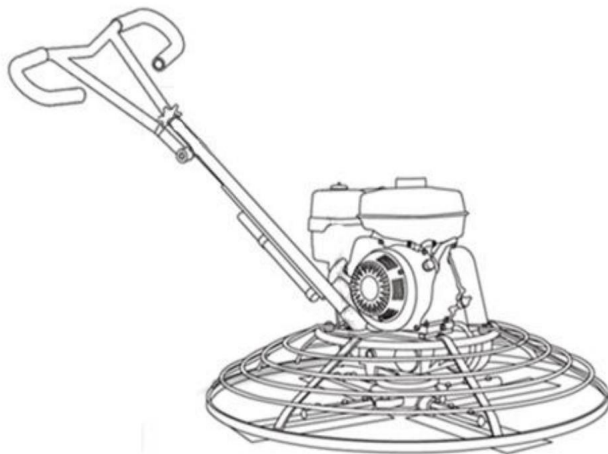
We blijven ons inzetten om u gereedschap tegen een concurrerende prijs te bieden.

'Bespaar de helft', 'Halve prijs' of andere soortgelijke uitdrukkingen die door ons worden gebruikt vertegenwoordigen slechts een schatting van de besparingen die u zou kunnen profiteren als u bepaalde gereedschappen bij ons koopt in vergelijking met de grote topmerken en betekenen niet noodzakelijkerwijs dat ze alle categorieën van aangeboden gereedschappen dekken. door ons. Wij verzoeken u vriendelijk om bij het plaatsen van een bestelling bij ons goed na te gaan of u daadwerkelijk de helft bespaart in vergelijking met de grote topmerken.

**VEVOR**<sup>®</sup>  
TOUGH TOOLS, HALF PRICE

KRACHT TROFFEL

**MODEL: HMR950, HMR1200**



<Afbeelding alleen ter referentie>

**HULP NODIG? NEEM CONTACT MET ONS OP!**

Heeft u productvragen? Technische ondersteuning nodig? Neem gerust contact met ons op:

**Technische**

**ondersteuning en e-garantiecertificaat [www.vevor.com/  
support](http://www.vevor.com/support)**

Dit is de originele instructie. Lees alle handleidingen zorgvuldig door voordat u ermee aan de slag gaat. VEVOR behoudt zich een duidelijke interpretatie van onze gebruikershandleiding voor. Het uiterlijk van het product is afhankelijk van het product dat u heeft ontvangen. Vergeef ons alstublieft dat we u niet opnieuw informeren als er technologie- of software-updates zijn voor ons product.

## BELANGRIJKE VEILIGHEIDSMATREGELEN



**WAARSCHUWING:** Lees en begrijp deze gehele handleiding voordat u dit product bedient of onderhoudt. Het niet opvolgen van deze waarschuwingen en instructies kan persoonlijk letsel of schade aan waardevolle eigendommen veroorzaken.

### 1. Veiligheidsinformatie

#### 1.1 Wetten met betrekking tot vonkenvangers

Opmerking: Staatsveiligheidscodes voor de gezondheid en openbare hulpbronnen specificeren dat op bepaalde locaties vonkenvangers moeten worden gebruikt op verbrandingsmotoren die koolwaterstofbrandstoffen gebruiken. Een vonkenvanger is een apparaat dat is ontworpen om onbedoelde ontlading van vonken of vlammen uit de motoruitlaat te voorkomen. Vonkenvangers zijn voor dit doel gekwalificeerd en beoordeeld door de United States Forest Service.

Raadpleeg de motordistributeur of de plaatselijke gezondheids- en veiligheidsbeheerder om te voldoen aan de lokale wetgeving met betrekking tot vonkenvangers.

#### 1.2 Bedrijfsveiligheid



##### WAARSCHUWING

Voor het veilig bedienen van apparatuur is kennis en een goede training vereist! Apparatuur die onjuist of door ongetraind personeel wordt bediend, kan gevaarlijk zijn! Lees de bedieningsinstructies in zowel deze handleiding als de motorhandleiding en maak uzelf vertrouwd met de locatie en het juiste gebruik van alle bedieningselementen. Onervaren operators moeten instructies krijgen van iemand die bekend is met de apparatuur voordat ze de machine mogen bedienen. • Laat **NOOIT** iemand deze apparatuur bedienen zonder de juiste training.

Mensen die deze apparatuur bedienen, moeten bekend zijn met de daaraan verbonden risico's en gevaren.

- Raak **NOOIT** de motor of de uitlaatdemper aan terwijl de motor aanstaat of onmiddellijk nadat deze is afgezet. Deze gebieden worden heet en kunnen brandwonden veroorzaken. •

**Gebruik NOOIT** accessoires of hulpstukken die niet worden aanbevolen door

Tomahawk-kracht. Schade aan de apparatuur en letsel aan de gebruiker kunnen het gevolg zijn. • **Laat de machine NOOIT** onbeheerd draaien. • Zorg er **ALTIJD** voor dat de operator bekend is met de juiste veiligheidsmaatregelen en bedieningstechnieken voordat u de machine gebruikt. •

Draag **ALTIJD** een ANSI Z87.1-goedgekeurde veiligheidsbril of veiligheidsbril met zijschermen of, indien nodig, een gelaatsscherm. Gebruik in stoffige omgevingen een stofmasker arbeidsomstandigheden. Gebruik ook antislipveiligheidsschoenen, veiligheidshelm, handschoenen en stof opvangsystemen en gehoorbescherming indien nodig. Dit geldt voor alle personen in het werkgebied. •

Sluit **ALTIJD** de brandstofklep op motoren die hiermee zijn uitgerust als de machine aanstaat niet geopereerd. • Berg apparatuur **ALTIJD** op de juiste manier op als deze niet wordt gebruikt. Apparatuur moet op een schone, droge plaats worden bewaard, buiten het bereik van kinderen. • **Bedien de machine ALTIJD** met alle veiligheidsvoorzieningen en beschermkappen op hun plaats en in werkende staat. Wijzig of verwijder **GEEN** veiligheidsvoorzieningen. **NIET DOEN** Bedien de machine als er veiligheidsvoorzieningen of beschermkappen ontbreken of niet werken. • Lees, begrijp en volg **ALTIJD** de procedures in de Gebruikershandleiding voordat u probeert de apparatuur te bedienen.

### 1.3 Veiligheid tijdens het gebruik van verbrandingsmotoren



#### **GEVAAR**

Verbrandingsmotoren brengen tijdens de werking bijzondere gevaren met zich mee en tanken! Lees en volg de waarschuwingsinstructies in de handleiding van de motoreigenaar handleiding en veiligheidsrichtlijnen hieronder. Het niet opvolgen van waarschuwingen en **GEVAAR** veiligheidsrichtlijnen kunnen ernstige gevolgen hebben letsel of overlijden.

• **Laat de machine NIET binnenshuis of in een afgesloten ruimte, zoals een diepte, draaien loopgraven, tenzij er voldoende ventilatie is, door middel van voorwerpen zoals Afzuigventilatoren of slangen worden meegeleverd. Benzine-uitlaat van de motor bevat giftig koolmonoxidegas; blootstelling aan Koolmonoxide kan bewustzijnsverlies veroorzaken en tot gevolg hebben**

dood. •

Rook NIET tijdens het bedienen van de machine. •

Rook NIET tijdens het tanken van de motor. • Tank

GEEN warme of draaiende motor bij. • Vul de

motor NIET bij in de buurt van open vuur. • Mors

GEEN brandstof tijdens het tanken van de motor. •

Laat de motor NIET in de buurt van open vuur

draaien. • Vul de brandstoftank ALTIJD in een goed

geventileerde ruimte. • Vervang de tankdop ALTIJD na het

tanken. • Controleer vooraf ALTIJD de brandstofleidingen en de brandstoftank op lekkages en so

startende motor. •

Laat de machine NIET draaien als er brandstoflekken zijn of als de brandstofleidingen los zitten.

#### 1.4 Serviceveiligheid



##### WAARSCHUWING

Slecht onderhouden apparatuur kan een veiligheidsrisico vormen! Om voor de apparatuur om veilig en correct te functioneren gedurende een lange periode, periodiek

Onderhoud en incidentele reparaties zijn noodzakelijk. • **Probeer**

**NIET de machine schoon te maken of er onderhoud aan te plegen terwijl deze draait.**

**Draaiende onderdelen kunnen ernstig letsel**

**veroorzaken. • Start een verzopen motor NIET terwijl de bougie is verwijderd**

**benzinemotoren. Brandstof die in de cilinder zit, zal naar buiten spuiten**

**de bougieopening. • Test NIET**

**op vonken bij benzinemotoren, als de motor dat wel is**

**overstroomd of de geur van benzine aanwezig is. Een verdwaalde vonk kan ontbranden dampen.**

• Gebruik **GEEN benzine of andere soorten brandstoffen of brandbare oplosmiddelen om onderdelen te reinigen, vooral in gesloten ruimtes. Dampen van brandstoffen en oplosmiddelen kunnen explosief worden.**

• Houd de omgeving van de uitlaat **ALTIJD vrij van vuil, zoals bladeren, papier, dozen, enz. Een hete uitlaatdemper kan deze ontsteken en brand veroorzaken.**

• **Vervang versleten of beschadigde onderdelen ALTIJD door reserveonderdelen ontworpen en aanbevolen door Tomahawk Power.** • **Koppel**

**ALTIJD de bougie los op machines die zijn uitgerust met**

**benzinemotoren, alvorens onderhoud uit te voeren, om onbedoeld starten te**

**voorkomen.** • **Zorg ervoor dat de machine ALTIJD schoon is en dat de labels leesbaar zijn. Vervang alle**

**en moeilijk leesbare etiketten. Etiketten bieden belangrijke bedieningselementen**

**instructies en waarschuwt voor gevaren en gevaren.** •

**Controleer vóór elk gebruik ALTIJD op beschadigde onderdelen. Controleer zorgvuldig**

**dat de troffel correct zal werken en de beoogde functie zal vervullen.**

**Vervang beschadigde of versleten onderdelen onmiddellijk. Bedien nooit de**

**troffel met een beschadigd**

**onderdeel.** • **Inspecteer ALTIJD de dekvloer voordat deze wordt opgeslagen en daarvoor**

**hergebruiken. Bewaar de troffel op een droge, veilige plaats, buiten het bereik van**

**kinderen wanneer deze niet in gebruik zijn.**

• **Gebruik ALTIJD alleen accessoires die worden aanbevolen door de**

**fabrikant voor gebruik met de troffel. Accessoires die dat kunnen zijn**

**geschikt voor één troffel kan bij gebruik met de**

**dekvloer apparatuur.** • **Zorg**

**ervoor dat de messen ALTIJD schoon zijn wanneer ze niet worden gebruikt en dat de beschermkappen op hun plaats zijn**

**in operationele staat.**

## **2 Productinformatie**

### **2.1 Beoogd gebruik**

Met de Tomahawk Power behoren moeizame handmatige afwerkingstaken tot het verleden

Troffels! Verdicht betonvloeren met gemak voor uw ideale afwerkingsresultaten

op projecten zoals opritten, kelders en commercieel/industriële

banen.

### **2.2 Kennismaking met de troffel**

De Powertroffels van VEVOR zijn ontworpen voor het zweven en afwerken van

betonplaten. Analyseer uw troffel en let op elk onderdeel: de

motor, messen, snelle pitchcontrole, luchtfilter, centrifugale stopschakelaar, koppeling

en katrolsysteem. Zorg ervoor dat er altijd olie in de motor zit.

### **2.3 Veiligheid**

Lees alle veiligheidsinstructies zorgvuldig door voordat u uw elektrische troffelmachine gebruikt.

Veiligheidsinstructies zijn overal in deze handleiding en op de website beschikbaar apparatuur. Veiligheidsinformatie moet in goede, leesbare staat blijven.

Operators moeten goed zijn opgeleid in de bediening en het onderhoud van de troffel.

Voordat u begint, test u de troffel op een vlak, verwaterd gedeelte van het afgewerkte stuk concreet. Test op een gedeelte dat vrij is van vuil en andere voorwerpen.

Het proefdraaien zal het vertrouwen van de machinist vergroten en tegelijkertijd de vertrouwdheid vergroten zelf met de bedieningselementen van de troffel. Bovendien zal dit operators helpen

Begrijp hoe de troffelmachine onder reële omstandigheden functioneert.

## **2.4 Motor**

De krachttroffels van VEVOR worden aangedreven door Kohler-motoren. Verwijs naar de gebruikershandleiding van de motor voor instructies over de bediening en onderhoud van uw motor. De motorhandleiding wordt meegeleverd met uw motor troffel.

## **2.5 Aandrijfsysteem**

Het vermogen wordt via een motor van de motor naar de ingaande as van de versnellingsbak overgebracht V-riemschijfaandrijving

systeem. De poelie grijpt aan met behulp van een centrifugaal- of handmatige koppeling.

Raadpleeg het onderdeel Onderdelen van deze handleiding voor meer informatie.

## **2.6 Versnellingsbak**

De versnellingsbak bevindt zich onder de motor en brengt het vermogen over op de rotor of spiderbox-montage. De versnellingsbak regelt het toerental van de troffelmachine en is voorzien van twee assen (in- en uitgang).

## **2.7 Spiderbox**

De verticale uitgaande as van de versnellingsbak is verbonden met een gegoten naaf, de zogenaamde spinnenbak. De spiderbox heeft 4 naar buiten uitstreckende armen die hiervoor worden gebruikt bevestiging van messen of andere accessoires. Denk eraan: bij de versnellingsbak de uitgaande as draait, net als de spiderbox-constructie.

## **2.8 Messen**

De bladen van de troffel worden gebruikt om het beton af te werken terwijl ze draaien rond uw gegeven oppervlak. Deze troffel wordt geleverd met 4 combinatiemessen per rotor. Ze zijn gelijkmatig verdeeld in een radiaal patroon en bevestigd aan de

verticale roterende as door middel van het spinsamenstel.

## 2.9 Centrifugaalkoppeling

In het geval van een overtoerentoeestand van de troffelmachine (de operator laat de handgreep), zal de centrifugaalkoppeling de motor stoppen en de troffelmachine in beweging brengen volledig stoppen.

## 2.10 Opleiding

Voor de juiste training, zie het gedeelte "TRAININGSCHECKLIJST" achterin deze handleiding. Deze checklist bevat een

schets voor een ervaren operator om training te geven aan een nieuwe operator.

## 3. Technische specificaties

### Troffel

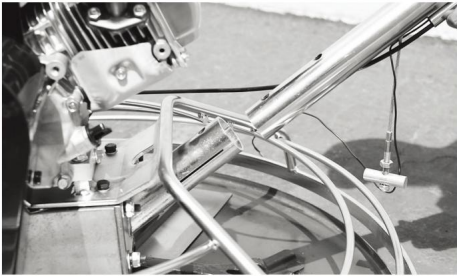
<b>Model</b>	HMR950	HMR1200
<b>Motor</b>	CH260	CH440
<b>Aantal messen</b>	4	4
<b>Schijfdiameter</b>	38in	46in
<b>Optimale bladhoek aanpassing(°)</b>	0-15	0-15

### Motor

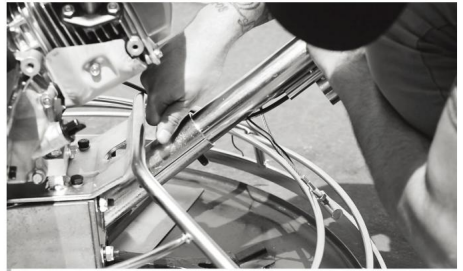
<b>Model</b>	CH440
<b>Type</b>	4-takt, gehoorde nokkenas, 1 cilinder
<b>PK</b>	14
<b>Transmissiesysteem</b>	Wormwiel en worm
<b>Brandstofverbruik (g/kWh)</b>	374
<b>Maximale snelheid (r/min)</b>	2800

## 4 Gebruikershandleiding

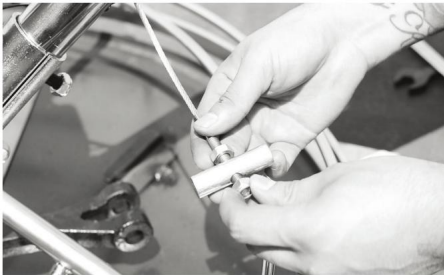
### 4.1 Snelle installatie



Stap 1: Steek het uiteinde van de stuurkolom in de basis van de troffel.



Stap 2: Steek de bouten en ringen door de gaten in het stuur - zet vast met een moer.



Stap 3: Schroef de moer van de pin los en steek de pin door de basis van de troffel.



Stap 4: Steek de schroef door de pin en draai de moeren aan de boven- en onderkant vast om hem op zijn plaats te houden.

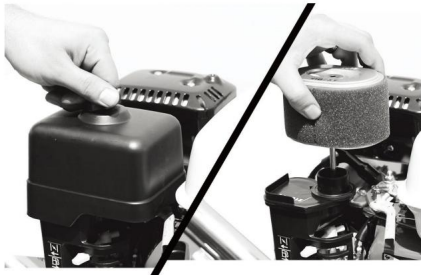


Stap 5: Plaats het stuur rond het oog richting de bovenkant van de stuurkolom.

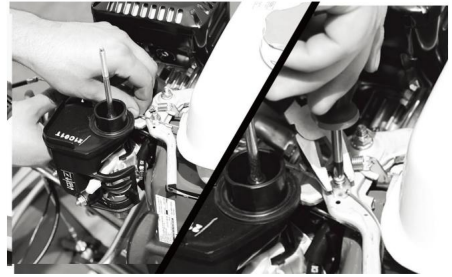


Stap 6: Plaats de bout door de basis van de handgrepen en vervolgens zet vast met een moer aan het uiteinde.

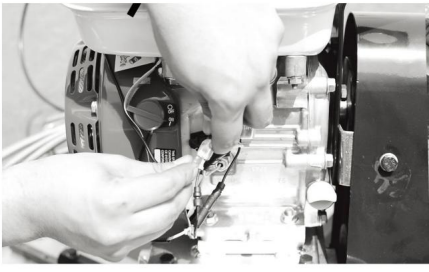
## 4.2 Snelstartgids



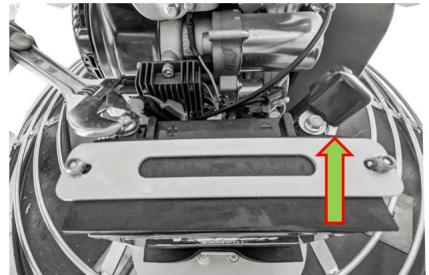
Stap:7 Om de gaskabel te bevestigen, verwijdert u het luchtfilter en het deksel.



Stap:8 Voer de kabel door de draaimoer en door de wartel stop en draai vervolgens de schroef vast.



Stap:9 Breng de draad van de dodemansschakelaar naar de voorkant van de motor en sluit deze aan het is de uitschakelaar.



Stap:10 Bevestig de positieve (rood) en negatieve (zwarte) motorkabels naar de batterij.

## 5. Bedieningselementen en componenten

### 5.1 Handgreep

Inclusief een "sterwiel" voor het handmatig aanpassen van de bladhoek.



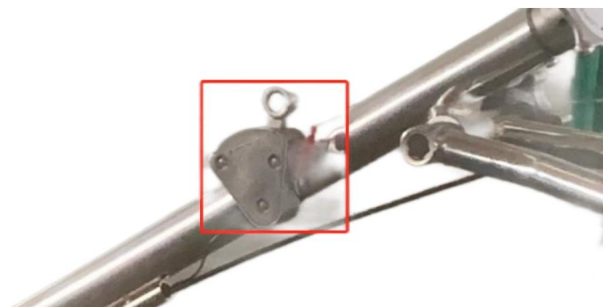
## 5.2 Opvouwbare Quick Pitch-handgreep

Maakt gebruik van een hendel om de bladhoek snel aan te passen. Handgreep opvouwbaar voor opslag.



## 5.3 Centrifugale noodstop-schakelaar

Als de machinist de controle over de troffelmachine verliest, schakelt deze schakelaar de motor uit.



## 5.4 Gashendel De gashendel regelt

het toerental van de motor. Beweeg de hendel naar de bestuurder toe om het motortoerental te verhogen (hoog), en van de bestuurder af om het motortoerental te verlagen (laag).



## 5.5 Fietsstuur

Het bredere stuur van de troffel zorgt voor een hogere stabiliteit, balans en stabiliteit manoeuvreerbaarheid. Vervang de handgrepen als deze versleten of beschadigd zijn.

## 5.6 Motor

De troffels van VEVOR maken gebruik van Kohler-motoren en worden ondersteund door een motor van 3 jaar garantie voor betrouwbare service.

## 5.7 Controle van de bladhelling

Stel de stalen messen van de troffel af van 0-15 graden om een mat, licht resultaat te verkrijgen glans of glanzende afwerking.

## 5.8 Beschermring

Steek NOOIT handen en voeten in de beschermring.

## 5.9 Troffelarm

Biedt bevestigingspunten voor de messen. Als de messen ongelijkmatige slijtage vertonen patronen of als bladen sneller verslijten dan andere, kan de troffelarm nodig zijn vervangen worden.

## 5.10 Messen

Deze troffel is uitgerust met 4 combo geharde, stalen messen die zijn ontworpen voor: zowel vlotter- als finishbewerkingen. Deze mesjes zijn uitwisselbaar met de meeste fabrikanten.

## 5.11 V-riemafdekking

Verwijder deze afdekking om toegang te krijgen tot de V-riem. Bedien de troffel NOOIT met deze hoes verwijderd.

## 5.12 Handgreep

Losmaken om de handgreep in te klappen.

# 5.2 Aanvullende componenten

## 5.2.1 Stabilisatorring

De stabilisatie ring vermindert de trillingen van de troffelarm en houdt deze vast evenwichtig.

## 5.2.2 Vlotterpan

De vlotterpan is ontworpen om op de combomessen te klikken en werkt afbrekend hoge plekken, waardoor mortel naar de oppervlakte wordt gebracht en een uniforme en

vlakke plaat.

### 5.2.3 Extra hefbuis

Gebruik deze buis om de troffel op een plaat te tillen. De buis moet in de stopcontact voor de versnellingsbak. Verkrijgbaar met geselecteerde eenheden.

## 6. MOTOR

### 6.1 Onderhoud

De troffels van VEVOR worden aangedreven door Kohler-motoren. De motor moet gecontroleerd op goede smering en vóór gebruik gevuld met brandstof. Refereren Raadpleeg de motorhandleiding van de fabrikant voor instructies en bedieningsdetails en onderhoud. Mocht er zich een probleem voordoen, of heeft u vragen hierover? uw motor, raadpleeg dan een erkende Kohler-servicedealer.

## Het belang van onderhoud

Voor een veilige, zuinige en probleemloze werking is goed onderhoud essentieel operatie. Het zal ook helpen de vervuiling terug te dringen.



#### WAARSCHUWING

- Onjuist onderhoud, of het niet oplossen van een probleem vóór gebruik, kan een storing veroorzaken waarbij u ernstig gewond of dodelijk kunt raken.

Volg altijd de inspectie- en onderhoudsaanbevelingen en schema's in deze gebruikershandleiding.

Om u te helpen op de juiste manier voor uw motor te zorgen, bevatten de volgende pagina's: onderhoudsschema, routine-inspectieprocedures en eenvoudig onderhoudsprocedures met behulp van standaard handgereedschap. Andere servicetaken die moeilijker zijn of speciaal gereedschap vereisen, kunnen het beste worden aangepakt professionals en worden normaal gesproken uitgevoerd door een Kohler-technicus of iemand anders gekwalificeerde monteur.

Het onderhoudsschema geldt voor normale bedrijfsomstandigheden. als jij gebruik uw motor onder zware omstandigheden, zoals bij aanhoudende hoge belasting of bij gebruik bij hoge temperaturen, of bij gebruik in ongewoon natte of stoffige omstandigheden, raadpleeg dan uw servicedealer voor aanbevelingen die op uw toepassing van toepassing zijn individuele behoeften en gebruik.

## Onderhoud, vervanging of reparatie van de emissiebeheersingsapparatuur en systemen mogen worden uitgevoerd door elk motorreparatiebedrijf

of individueel, waarbij gebruik wordt gemaakt van onderdelen die "gecertificeerd" zijn volgens de EPA-normen.

## 6.2 Onderhoudsveiligheid

Hieronder volgen enkele van de belangrijkste veiligheidsmaatregelen. Dat kunnen wij echter niet u waarschuwen voor elk denkbaar gevaar dat tijdens het uitvoeren kan ontstaan onderhoud. Alleen jij kunt beslissen of je wel of niet een gegeven taak.



### WAARSCHUWING

**Het niet correct opvolgen van de onderhoudsinstructies en voorzorgsmaatregelen kan ertoe leiden dat u ernstig gewond raakt of wordt gedood. Volg altijd de procedures en voorzorgsmaatregelen in deze gebruikershandleiding.**



### VOORZICHTIGHEID:

Probeer **NOOIT** de troffel zelf op te tillen.

Vraag **ALTIJD** de hulp van iemand anders om de troffel op te tillen.

## 6.2 Onderhoudsveiligheid Vervolg

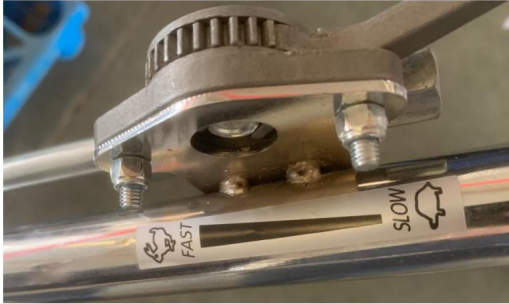
### 6.2.1 Tankdop

Verwijder deze dop om loodvrije benzine aan de brandstoftank toe te voegen. Zorg ervoor dat de de tankdop goed vastzit. Niet laten overlopen.



### 6.2.2 Gashendel

De gashendel wordt gebruikt om het motortoerental aan te passen (hendel naar voren LANGZAAM vooruit, hendel SNEL terug richting bestuurder).



### 6.2.3 Motor AAN/UIT De schakelaar

AAN maakt het starten van de motor mogelijk, de UIT-stand stopt de werking van de motor.



### 6.2.4 Terugloopstarter (trekkoord)

Handmatige startmethode. Trek aan de startergreep tot u weerstand voelt en trek dan krachtig en soepel.



### 6.2.5 Niveau brandstofklep

OPEN om de brandstofstroom te laten stromen, DICHT om de brandstofstroom te stoppen.

### 6.2.6 Chokehendel De

choke wordt gebruikt bij het starten van een koude motor of bij koud weer en verrijkt het brandstofmengsel.

### 6.2.7 Luchtfilter

Het luchtfilter voorkomt dat vuil en ander vuil het brandstofsysteem binnendringt.

Om toegang te krijgen tot het filterelement verwijdt u de vleugelmoer bovenop het luchtfilter bus.

OPMERKING:

**Laat de motor niet draaien zonder luchtfilter, met beschadigde lucht filter of een filter dat vervangen moet worden. Hierdoor kan er vuil in komen motor en snelle motorslijtage veroorzaken.**

### 6.2.8 Bougie

De bougie zorgt voor een vonk in het ontstekingsstelsel. Maak de vonk schoon één keer per week aansluiten. Stel de bougieafstand in op 0,6 - 0,7 mm (0,028 - 0,031 inch).

### 6.2.9 Geluiddemper

De uitlaatdemper wordt gebruikt om het geluid en de emissies van de motor te verminderen.



**WAARSCHUWING**

Motoronderdelen kunnen extreme hitte genereren. Om brandwonden te voorkomen, **DOEN** Raak deze gebieden **NIET** aan terwijl de motor draait of onmiddellijk daarna actief.

Laat de motor **NOOIT** draaien als de uitlaatdemper is verwijderd.

### 6.2.10 Brandstoftank

De brandstoftank bevat loodvrije benzine. Voor meer informatie, zie de gebruikershandleiding van de motor.

## 7. VOORINSPECTIE

Gebruik de elektrische troffelmachine **NOOIT** in een besloten ruimte of afgesloten structuur dat niet voldoende vrije luchtstroom biedt.

Draag **ALTIJD** goedgekeurde oog- en gehoorbescherming bedienen van de troffel.

Plaats **NOOIT** handen of voeten binnen de beschermringen terwijl de motor draait rennen.

Schakel **ALTIJD** de motor uit voordat u enige vorm van actie uitvoert onderhoud aan de troffel.

Het wordt aanbevolen om de noodstopshakelaar van de troffelmachine te gebruiken om de motor te stoppen na elk gebruik. Als u dit doet, wordt gecontroleerd of de schakelaar correct werkt levert geen gevaar op voor de bediener.

## 7.1 Voordat u begint

7.1.1 Lees de veiligheidsinstructies aan het begin van deze handleiding.

7.1.2 Reinig de troffelmachine door vuil en stof te verwijderen, vooral in de luchtinlaat voor motorkoeling, carburateur en luchtfilter.

7.1.3 Controleer het luchtfilter op vuil en stof. Als het luchtfilter vuil is, vervang het dan eventueel met een nieuwe.

7.1.4 Controleer de carburateur op vuil en stof van buitenaf. Maak het schoon met droog samengeperste lucht.

7.1.5 Controleer bevestigingsmoeren en bouten op vastzitten.

## 7.2 Motorolie controleren

7.2.1 Om het motoroliepeil te controleren, plaatst u de troffelmachine op een veilige plek vlakke ondergrond terwijl de motor is uitgeschakeld.

7.2.2 Verwijder de peilstok uit de vulopening van de motorolie (FIG. 2) en veeg het schoon.

7.2.3 Plaats en verwijder de peilstok zonder deze in de vulopening te schroeven.

Controleer het oliepeil dat op de peilstok staat.

7.2.4 Als het oliepeil laag is (FIG. 3), vul dan tot de rand van de olievlopening met aanbevolen met SAE10W-30 4-taktolie. Maximale oliecapaciteit is 400 cc.

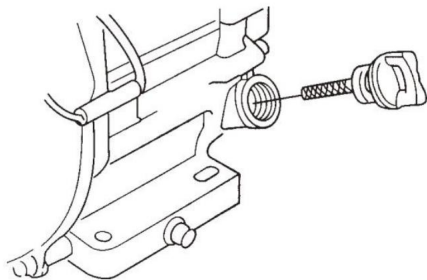


FIG. 2

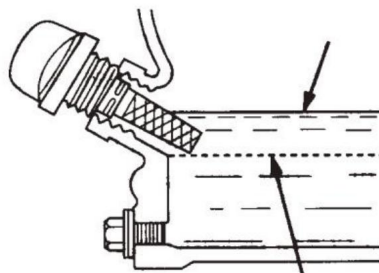


FIG.3

### 7.3 Brandstofcontrole

Motorbrandstoffen zijn licht ontvlambaar en kunnen gevaarlijk zijn als er verkeerd mee wordt omgegaan.

Rook NIET tijdens het tanken. Probeer NIET de troffel bij te tanken als de

De motor is heet of draait.

7.3.1 Verwijder de benzinedop die zich bovenop de brandstoftank bevindt.

7.3.2 Inspecteer visueel of het brandstofniveau laag is. Als de brandstof bijna op is, vul dan bij 89 Octaanbenzine.

7.3.3 Zorg ervoor dat u bij het tanken een zeef gebruikt voor filtratie. NIET bijvullen de brandstof. Veeg eventueel gemorste brandstof op.

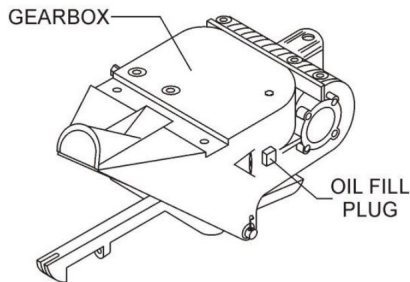


FIG.4

### 7.4 Versnellingsbakolie

7.4.1 Bepaal of het oliepeil van de versnellingsbak laag is door de olieplug te verwijderen de zijkant van de

versnellingsbak. Deze stekker wordt gemarkeerd door het "check"-embleem. Zie AFB. 4. De Het juiste peil van de smeerolie moet tot aan de onderkant van de vulplug staan.

7.4.2 Als smeerolie naar buiten begint te sijpelen terwijl de aftapplug wordt verwijderd, dan kan ervan worden uitgegaan dat de versnellingsbak voldoende olie bevat.

7.4.3 Als er geen smeerolie naar buiten sijpelt terwijl de aftapplug wordt verwijderd, vul met versnellingsbakolie type ISO 680 tot de olievlopening overstroomt.

### 7.5 V-riem controleren

Een versleten of beschadigde V-riem kan de prestaties van uw auto nadelig beïnvloeden elektrische troffel. Als een V-riem defect of versleten is, vervangt u eenvoudig de V-riem zoals beschreven in het onderhoudsgedeelte van deze handleiding.

## 7.6 Mescontrole

Controleer vóór het starten op versleten of beschadigde messen. Als één mes versleten is terwijl de anderen er nieuw uitzien, kan dit te wijten zijn aan een probleem met de bladhoek. Raadpleeg het onderhoudsgedeelte van deze handleiding voor instructies over de procedure voor het afstellen van de bladhoek. Vervang versleten messen.

## 7.7 VEILIGHEIDS-KILL-SCHAKELAARS

Deze elektrische troffelmachine is uitgerust met een veiligheidsschakelaar. Veiligheid doden schakelaars moeten elke keer dat de motor wordt gestart, worden getest.

### OPMERKING

**NOOIT! schakel de kill-schakelaar uit of koppel deze los. Er is in voorzien**

**veiligheid van de operator. Er kan letsel ontstaan als deze wordt uitgeschakeld, losgekoppeld of uitgeschakeld onjuist onderhouden.**

## 7.8 HENDEL DRUK OP DE KILL-SCHAKELAAR

Op de hoofdhandgreepbuis bevindt zich een rode schakelaar (FIG. 5). Het schakelen Het mechanisme van deze schakelaar moet vrij kunnen werken en moet altijd worden bewaard in deze conditie. Als de schakelaar in de UIT-stand staat, mag de motor dat niet doen starten of rennen. Het doel van deze schakelaar is om de motor te stoppen als deze op hol slaat situatie (dat wil zeggen: de operator laat de hendel los tijdens gebruik).

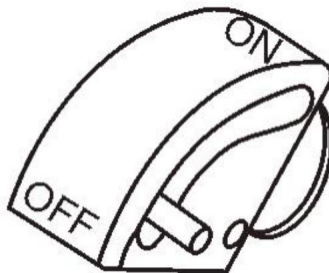


FIG.5

Laat de machine **NIET** een tijdje ongebruikt staan terwijl de motor op hoog toerental draait langere tijdsperiode. Dit veroorzaakt voortijdige slijtage van de riem of kan kapot gaan de riem.

Zet het motortoerental **ALTIJD** op stationair als de handkoppeling is uitgeschakeld.

## 8. EERSTE OPSTARTEN

De troffel op een plaat tillen

### 8.1 Extra hefbuis

Verwijder de extra hefbuis bovenop de hoofdhandgreep. Invoegen de buis in de aansluiting aan de andere kant van de versnellingsbak het handvat. Zorg ervoor dat het gat in de buis in de pen in de buis past stopcontact. Terwijl één persoon aan de hoofdhandgreep tilt, en een andere persoon tilt Pak de machine uit de extra hefbuis en verplaats hem naar een plaat.



#### WAARSCHUWING

**De troffelmachine moet worden gestabiliseerd door de persoon die de troffel van de machinist draagt hendel. Als de handgreep niet goed is gestabiliseerd, kan deze rondzwaaien en draai de troffel om, waardoor schade aan de troffel en het lichaam wordt veroorzaakt blessure.**

### 8.2 Baal optillen

De liftbaal is optioneel op nieuwe troffels. Het biedt een optimaal liftpunt voor het verplaatsen van de troffel. Hefbalen of een vorkheftruck kunnen worden gebruikt om een troffel op een troffel te tillen bouwen met een kraan.

Het gebruik van een kraan om een machine met een liftbaal te verplaatsen wordt ten zeerste aanbevolen en is volkomen veilig voor de machine. Extra voorzichtigheid is geboden wanneer De machine echter van de grond tillen. Ernstige schade aan de machine of persoonlijk letsel kan worden veroorzaakt door het laten vallen van een troffel.

### 8.2 Baal optillen Vervolg

Dit hoofdstuk is bedoeld om de operator te helpen bij de eerste inbedrijfstelling van de achterloopspaan. Het is uiterst belangrijk dat dit gedeelte wordt gelezen zorgvuldig voordat u de troffel in het veld probeert te gebruiken.

Gebruik uw troffel **NIET** voordat u dit gedeelte volledig begrijpt.



#### WAARSCHUWING

**Probeer de troffelmachine NIET te bedienen voordat de Veiligheid, Algemeen De secties Informatie en Inspectie van deze handleiding zijn gelezen en grondig begrepen. Afhankelijk van de motorfabrikant,**

**bedieningsstappen kunnen variëren. Zie de gebruiksaanwijzing van de motorfabrikant handmatig.**

## 9. STARTEN VAN DE MOTOR

9.1 Zet de brandstofklephendel van de motor (FIG. 6) in de stand "AAN".

9.2 Zet de gashendel van de troffelmachine (FIG. 1) in de stand "IDLE".

9.3 Zet de chokehendel (FIG. 7) in de stand "GESLOTEN" als u start koude motor.

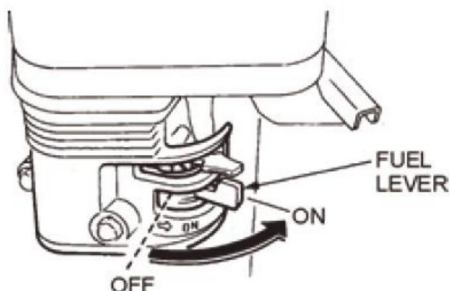


FIG.6

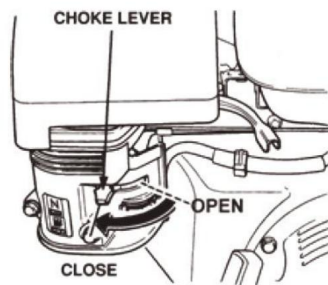


FIG.7

9.4 Zet de chokehendel (FIG. 8) in de stand "OPEN" als u een warmloop start motor of de temperatuur is warm.

9.5 Zet de AAN/UIT-schakelaar van de motor (FIG. 9) in de stand "AAN".

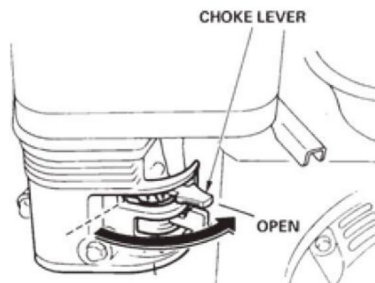


FIG.8

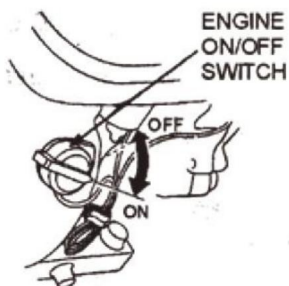


FIG.9

9.6 Pak de startgreep vast (FIG. 10) en trek deze langzaam naar buiten. Het verzet wordt het moeilijkst op een bepaalde positie, overeenkomend met de

compressie punt. Trek stevig en soepel aan de startergreep om te starten.

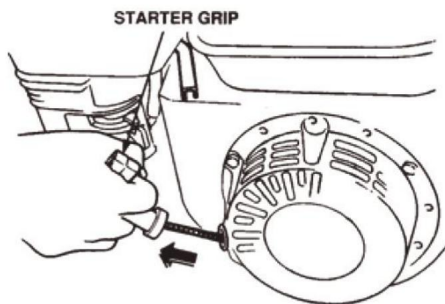


FIG.10

9.7 Als de motor is gestart, zet u de chokehendel (FIG. 7) langzaam terug in de stand Open positie. Als de motor niet is gestart, herhaalt u stap 1 tot en met 6.

9.8 Voordat de troffelmachine in gebruik wordt genomen, moet u de motor enkele malen laten draaien minuten. Controleer op brandstoflekken en geluiden die verband houden met een losse V-snaarafdekking of onderdeel.

9.9 Om met het troffelen te beginnen, zet u de gashendel (FIG. 11) in de richting van de stand "SNEL".

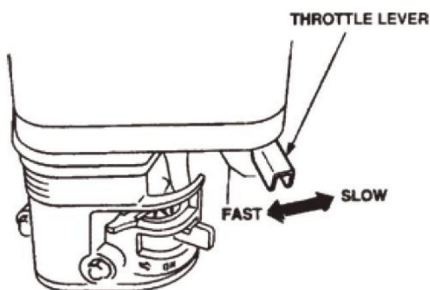


FIG.11

## 10. DE MOTOR STOPPEN

10.1 Zet de gashendel in de stand STATIONAIR of LANGZAAM (FIG. 11) en Laat de motor drie minuten op laag toerental draaien.

10.2 Nadat de motor is afgekoeld, zet u de start/stop-schakelaar van de motor in de stand "OFF" (FIG. 12).

10.3 Sluit de brandstofafsluitklep (FIG. 13) door de brandstofklephendel te bewegen naar de UIT-positie.

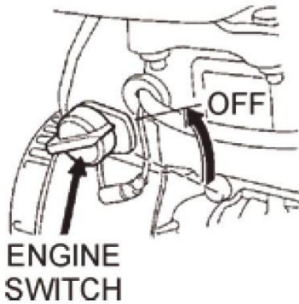


FIG.12

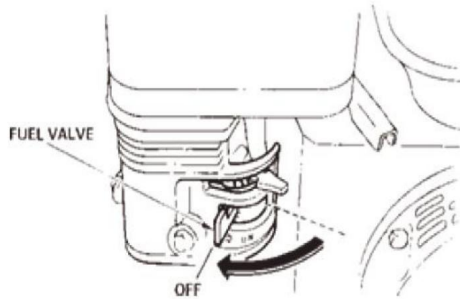


FIG.13

## 11. BEDIENING

De volgende stappen zijn bedoeld als basishandleiding voor de bediening van de machine en mogen niet worden beschouwd als een volledige handleiding voor betonafwerking. Lezen het hoofdstuk "Training" van deze handleiding voor meer informatie.

### 11.1 Manoeuvreren met de troffel

11.1.1 Neem plaats in de bestuurderspositie achter de handgreep. Met een veilige vaste voet en een stevige greep op de handgrepen verhogen langzaam het motortoerental totdat de gewenste bladsnelheid is bereikt.

11.1.2 Om de troffel te manoeuvreren, tilt u de hoofdspaan voorzichtig op of drukt u deze naar beneden handvat van een troffel.

Om de machine naar links van de bestuurder te verplaatsen, tilt u de hendel op om te verplaatsen de machine naar rechts, duw de hendel naar beneden.

11.1.3 Pas de bladhelling op de standaardhandgreep aan door aan de steek te draaien

Stel het wiel rechtsonder of linksom af. • **Om de troffelmachine**

**naar links van de machinist te verplaatsen, tilt u de hendel omhoog, naar**

**beweeg de troffel naar rechts en druk op de hendel. • Herinneren! dat als je**

**de troffel loslaat, je gewoon weggaat en de troffel laat staan**

**troffelmachine volledig tot stilstand komt voordat u probeert de troffel terug te halen. • De beste**

**methode voor het afwerken van beton is langzaam achteruit lopen**

**met de troffel, waarbij u de troffel heen en weer beweegt. Dit zal alles bestrijken**

**voetafdrukken op nat beton.**

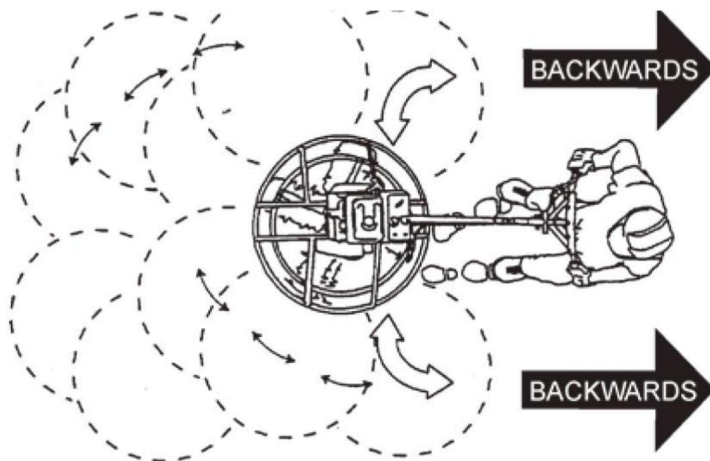


FIG.14



### WAARSCHUWING

Plaats **NOOIT** uw voeten of handen binnen de beschermringen tijdens het starten of bedienen van deze apparatuur.

Blijf **ALTIJD** uit de buurt van roterende of bewegende onderdelen tijdens het bedienen van deze apparatuur.

## 12. ACCESSOIREOPTIES

### 12.1 Messen

#### OPMERKING

Messen moeten worden vervangen als ze er niet in slagen het beton op een bevredigende manier af te werken manier.

Messen zijn een essentieel onderdeel van het afwerken van beton. Deze troffel is ontworpen voor het afwerken van beton en is gebouwd volgens strenge kwaliteitsnormen uit het beste troffelstaal. Als u vervangende messen nodig heeft, raadpleeg dan de onderdelenlijst in deze handleiding voor de onderdeelnummers.

### 12.2 Combinatiebladen Deze

troffelmachine was standaard uitgerust met gecombineerde FLOAT/FINISH-bladen (FIG. 15). Deze bladen zijn ontworpen voor optimale prestaties bij zowel zwevende als nabewerkingen. Deze

bladen zijn veelzijdig en zouden aan de meeste troffelbehoeften moeten voldoen.

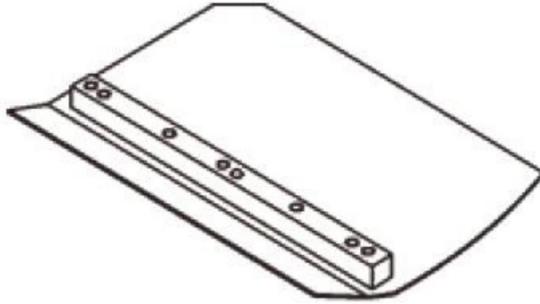


FIG.15

### 12.3 Afwerkmessen (optioneel)

Deze bladen zijn speciaal ontworpen voor afwerkingsbewerkingen met deze troffel. Ze zorgen voor een eersteklas oppervlakteafwerking met uw troffel. Ze mogen alleen worden gebruikt nadat het beton zover is uitgehard dat de troffel niet in het beton zakt als hij erop wordt geplaatst.

### 12.4 Opklikbare zwevende messen (optioneel)

Deze bladen kunnen op een bestaand geïnstalleerd blad worden geklikt (FIG.16), waardoor uw afwerkmaschine op "nat" beton kan drijven, zodat het troffelwerk zo vroeg mogelijk kan beginnen. Ze zijn gemakkelijk verwijderbaar, zodat ze na het zweven, wanneer het beton voldoende is uitgehard, kunnen worden verwijderd om de afwerkmessen bloot te leggen voor verder spaanwerk.

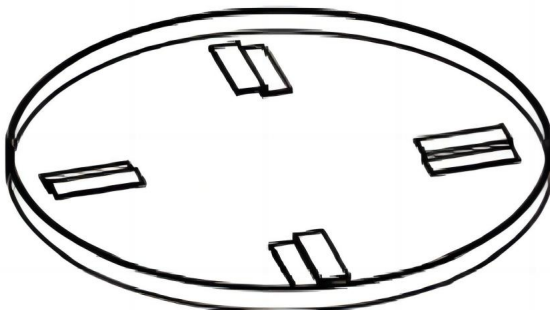


FIG.16

### 12.5 Vlotterschijven (optioneel)

Deze ronde schijven hechten zich aan de spinnen en zorgen ervoor dat de machine op "nat" beton kan "zweven". Het schijfontwerp maakt vroeg zweven en gemakkelijke beweging mogelijk

van natte naar droge gebieden. Ze zijn ook zeer effectief in het inbedden van grote toeslagstoffen en oppervlakteverharders.

## **13. ONDERHOUD**

### **13.1 Onderhoudsschema**

#### **Dagelijks (8-10 uur)**

1. Controleer het oliepeil in het motorcarter en de versnellingsbak, vul bij zoals nodig.
2. V-riem controleren.

#### **Wekelijks (50-60 uur)**

1. Armen, drukkraag en koppeling opnieuw smeren
2. Vervang de messen indien nodig.
3. Controleer en reinig of vervang het luchtfilter van de motor indien nodig.
4. Vervang de motorolie en filter indien nodig, zie motorhandleiding.

#### **Maandelijks (200-300 uur)**

1. Verwijder, reinig, installeer en smeer de armen en drukkraag opnieuw. Pas de .... aan mes armen.

#### **Jaarlijks (2000-2500 uur)**

1. Controleer en vervang indien nodig de armbussen en drukkraagbussen en asafdichtingen.
2. Controleer de pitch-controlekabels op slijtage.
3. Pas de messnelheid aan.

### **13.2 Troffelarm afstellen**

Gebruik de volgende procedure om de troffelarmen te controleren en af te stellen, en controleer of versleten of beschadigde onderdelen wanneer duidelijk wordt dat de troffelmachine beschadigd is slecht afgewerkt of routinematig onderhoud nodig. Zoek naar het volgende indicaties. Uitlijning van de troffelarm, versleten spindelbussen of verbogen troffelarmen kunnen de oorzaak zijn. • Slijten de messen ongelijkmatig? Is één mes volledig versleten terwijl de anderen zien er nieuw uit?

- Heeft de machine een waarneembare rollende of stuitende beweging wanneer deze in de machine staat?

gebruik?

- Kijk naar de machine terwijl deze draait; doen de wachtringen "schommelen en naar beneden" ten opzichte van de grond?

### 13.2.1 Plaats de troffel op een VLAK, NIVEAU gebied.

Een vlakke, schone ruimte om de troffel voor en na te testen is essentieel. Elk oneffenheden in de vloer of vuil onder de troffelbladen kunnen een beschadiging veroorzaken onjuiste perceptie van aanpassing. Idealiter is een 5 x 5 Ft. (1,5 x 1,5 meter) Hiervoor moet een platte stalen plaat van 19 mm dik worden gebruikt testen.

13.2.2 Plaats de messen zo vlak mogelijk. De stelbouten moeten allemaal vastzitten nauwelijks contact maken met de onderste slijtplaat op de spiderbox. Als dat zo is Als u geen contact maakt, is aanpassing noodzakelijk. (FIG.17,FIG.4).

## 13.2 Afstelling troffelarm vervolgd

FIG.17 illustreert "onjuiste uitlijning", versleten spinbussen of verbogen troffel armen. Controleer of de afstelbout de onderste slijtplaat nauwelijks raakt (max. 0,10 inch speling). Alle uitlijnbouten moeten zich op een afstand van de dezelfde afstand tot de onderste slijtplaat.

- 1 Stelbout
- 2 Onderste slijtplaat
- 3 Oppervlak
- 4 "Scooteffect" op afgewerkt beton

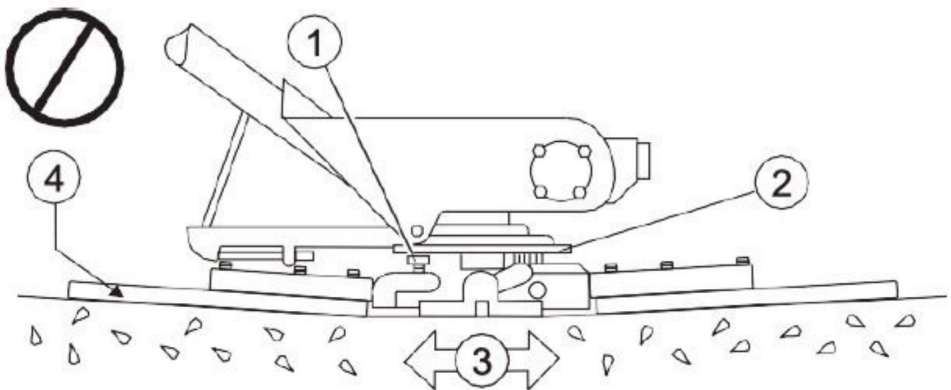


FIG.17

## 13.3 Verwijdering van het troffelblad

13.3.1 Verwijder de troffelbladen van de troffelarm door de twee te verwijderen zeskantbouten van de troffelarm. Leg de messen opzij.

13.3.2 Borstel eventuele betonophopingen van alle zes zijden van de troffel met een staalborstel arm. Herhaal dit voor de overige drie armen.

## 13.4 Hermontage

13.4.1 Reinig en inspecteer de bovenste/onderste slijtplaten en druk ze aan kraag.

13.4.2 Onderzoek de gehele spinconstructie. Staalborstel van beton of roestvorming. Als blijkt dat er onderdelen van de spider beschadigd zijn of misvormd, vervang deze.

13.4.3 Plaats de bronzen bus terug op de troffelarmen.

13.4.4 Herhaal bovenstaande stappen voor elke troffelarm.

13.4.5 Zorg ervoor dat de veerspanner in de juiste positie staat om te worden uitgeoefend spanning op de troffelarm.

13.4.6 Plaats alle troffelarmen terwijl de bronzen bus al is geïnstalleerd met hendels in de spinplaat.

13.4.7 Zorg ervoor dat u het smeergat op de bronzen bus uitlijnt met de smeergatfitting op de spinplaat.

13.4.8 Vergrendel de troffelarmen op hun plaats door de zeskantbout vast te draaien smeervetnippel en contraoer.

13.4.9 Installeer de bladen opnieuw op de troffelarmen.

13.4.10 Installeer de stabilisatorring op de spinconstructie.



### WAARSCHUWING

Maak de bougiekabel los van de bougie en zet deze op een veilige plek vast de motor voordat u onderhoud of aanpassingen aan de machine uitvoert.

•Mes

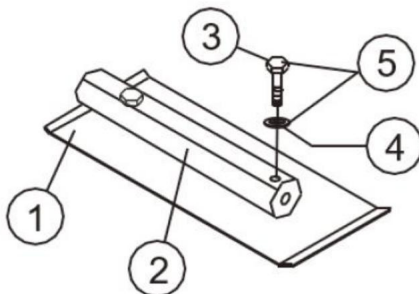
•Blade-arm

•Zeskantbout

•Veerring

•Verwijder van de arm

## 13.5 Veranderen



FBIIGa.d1e8s

## Alleen

Wij adviseren om alle messen tegelijkertijd te vervangen. De

De troffel kan wiebelen of stuiten als dat niet het geval is.

13.5.1 Plaats de machine op een vlakke, vlakke ondergrond. Pas de bladhoek aan controle om de messen zo vlak mogelijk te maken.

### OPMERKING

Let op de richting van het blad op de troffelarm.

13.5.2 Verwijder de twee bouten en zet de ringen vast waarmee het mes is bevestigd de troffelarm.

13.5.3 Verwijder het mes.

13.5.4 Schraap met een staalborstel alle betondeeltjes en smeedafval weg van de troffelarm.

13.5.5 Installeer het nieuwe troffelblad op de troffelarm. Zorg ervoor dat de

Het mes is correct geïnstalleerd, waarbij de juiste richting voor de richting behouden blijft van rotatie.

13.5.6 Plaats de twee bouten en borgringen terug waarmee het mes aan het mes is bevestigd troffelarm. Draai de bouten stevig vast.

13.5.7 Herhaal de stappen voor alle overige messen.

13.6 Pannen op finishermessen installeren



### WAARSCHUWING

**Gevaar voor optillen/verpletteren.**

**Til de troffel NIET op terwijl de pannen eraan bevestigd zijn.**

**Installeer de pannen ALTIJD op het werkgebied of een gebied ernaast op/niveau met het werkgebied.**

**Til de troffel NIET op als de pannen zijn bevestigd.**

13.6.1 Til de troffel net voldoende op om de pan onder de messen te schuiven. Met Plaats de messen naast de Z-clips en laat de finisher op de pan zakken.

13.6.2 Draai de messen in positie onder de Z-clips. Zorg ervoor dat de messen worden in de rijrichting gedraaid als de machine binnen staat operatie. Of gebruik de motor om de messen op hun plaats te draaien.

13.6.3 Bevestig de mesbevestigingen aan de andere kant van de Z-clipbeugels met vastzetknoppen.

13.6.4 Controleer voor de zekerheid voordat de machine weer in gebruik wordt genomen dat de mesranden onder de Z-clips vastzitten.

13.6.5 Controleer voor de zekerheid voordat de machine weer in gebruik wordt genomen dat de spanbanden stevig over de randen van het blad zijn bevestigd.

### 13.7 Verwijdering van de spinbox

13.7.1 Zodra is vastgesteld dat een aanpassing nodig is, verwijdert u de montage van de spin van de versnellingsbakas als volgt:

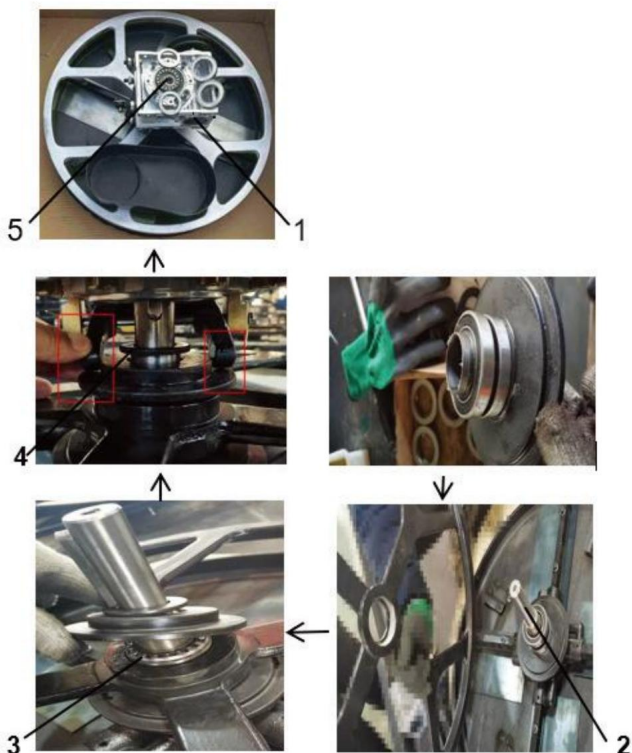
13.7.2 Verwijder de smeerfitting en de inbusbout aangegeven door de briefven".

13.7.3 Aan de andere kant van het spinblok bevindt zich nog een zerkfitting en inbusbout. Verwijder beide componenten.

13.7.4 Til de bovenste troffelconstructie van de spinconstructie.

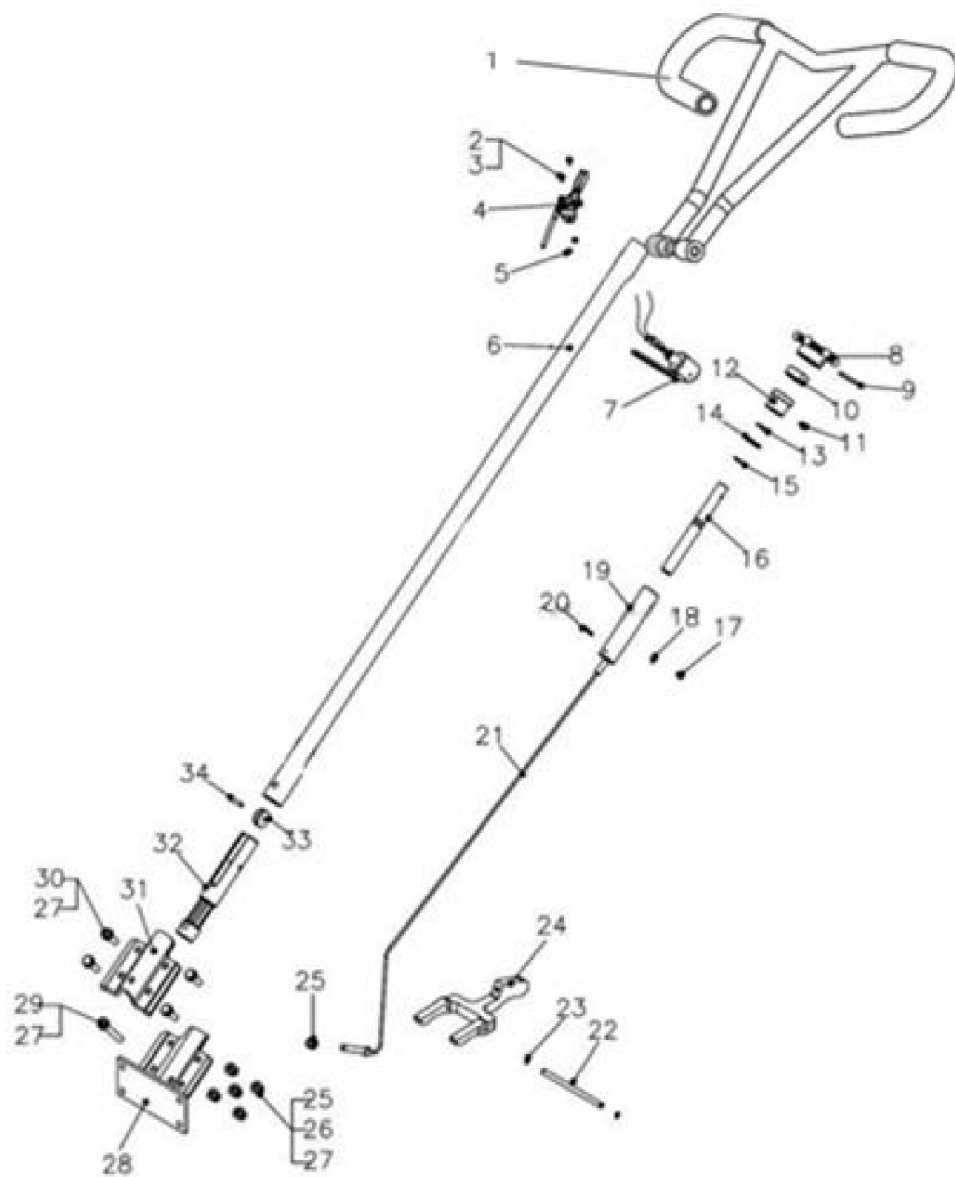
#### OPMERKING

Een lichte tik met een rubberen hamer kan nodig zijn om de spin los te maken van de hoofdas van de versnellingsbak.



## 14 Onderdelenlijst

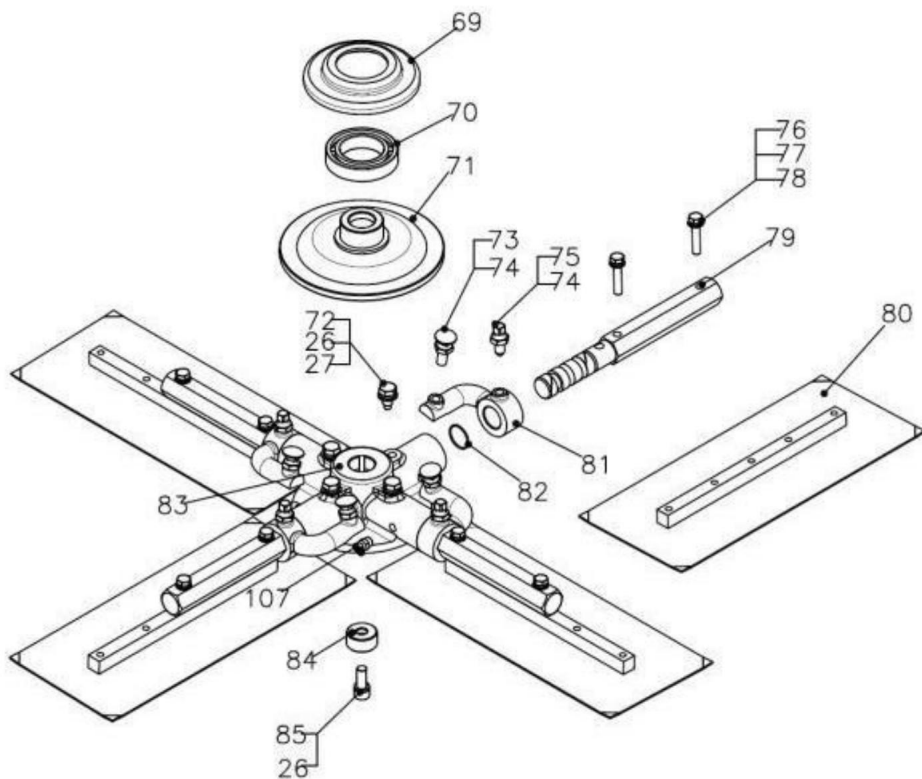
### Hendel



<b>REF-onderdeelnr.</b>	<b>Beschrijving</b>	<b>AANTAL</b>	<b>Afmeting</b>
1	RG-003	2	
2	QSC-M4*8	2	M4x8
3	QWS-PM4	2	M4
4	TSA-01	1	
5	QNT-NM4	2	M4
6	W436F-001	1	
7	PAS-02	1	
			Stopschakelaar (ontgrendelingsstang Type)
8	436F-01-001	1	
			Stelknop
9	QSP-5X50	1	5x50
10	QBR-51104	1	
			Lagerbout
11	QBL-M6X10	1	M6x10
12	436F-01-004	1	
			Aluminium gids
13	QWS-WM19	1	M19
14	QWS-PM19	1	M19
15	QSR-S18	1	S18
16	436F-01-002	1	
			Stel de schroefpijp af
17	QBL-M6X8	1	M6X8
18	QWS-PM6	1	M6
			Veerring
19	436F-01-003 20	1	
			Schroefgeleider
	QSP-5X30	1	5X30
21	436F-01-007 GEW	1	
			Stalen draad
22	436F-02-004	1	
			Jukarpin
23	QSR-S10	2	S10
24	436F-02-003 B	1	
			Juk-arm
25	QNT-NM10	10	M10
			Nylock-moer
26	QWS-SM10	14	M10
			Veerring
27	QWS-PM10	18	M10
			Plaatwasmachine
28	436F-02-001	1	
			Handvatsteunbasis

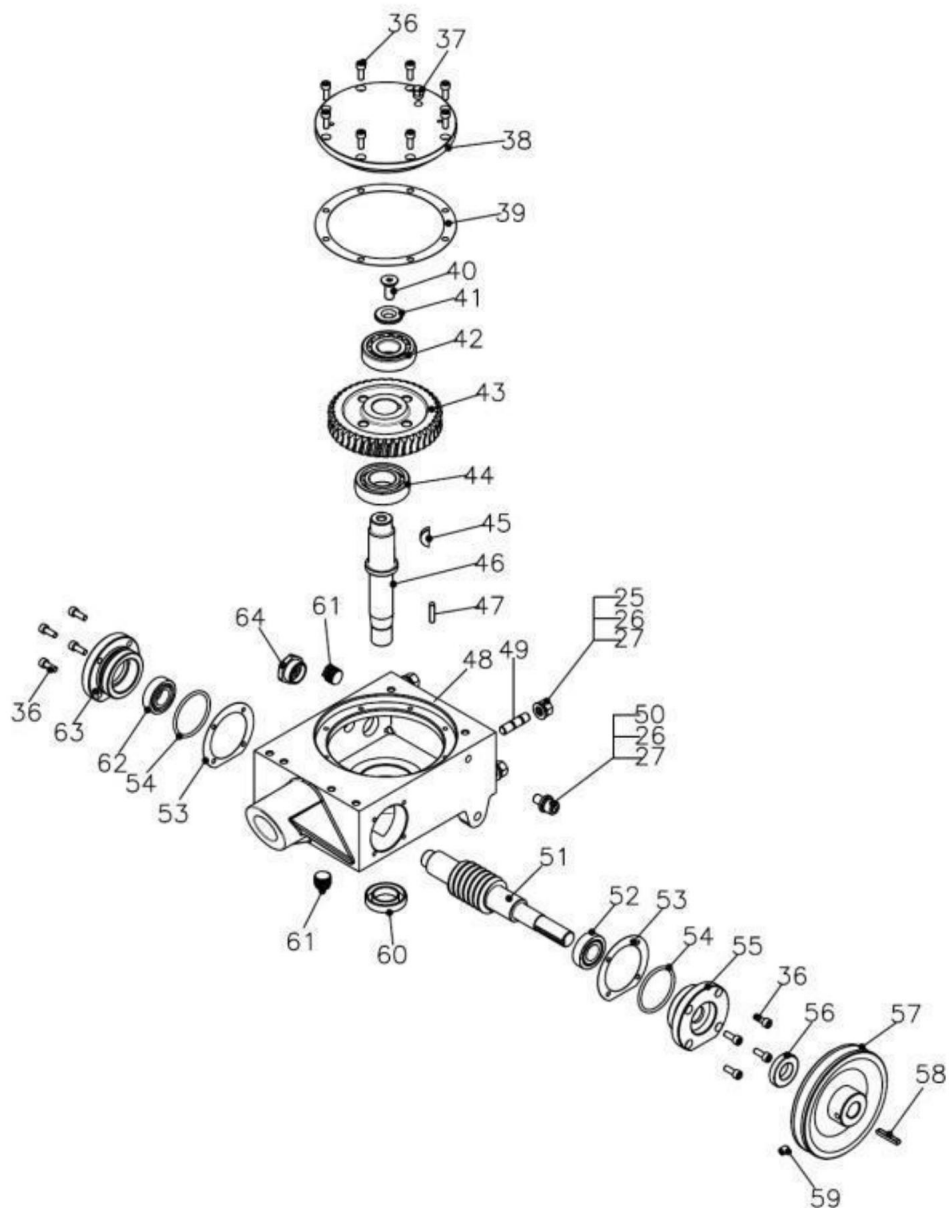
29	QBL-M10X70	Bout	1	M10X70
30	QBL-M10X35	Bout	4	M10X35
31	436F-02-002	Bovenste beugel	1	
32	436F-01-005	Aluminium juk	1	
33	436A-01-010	Wiel	1	
34	QSP-3X30	Lente pin	1	3X30

## Blad



<b>REF</b>	<b>Onderdelenr.</b>	<b>Beschrijving</b>	<b>AANTAL</b>	<b>Afmeting</b>
26	QWS-SM10	Veerring	5	M10
27	QWS-PM10	Plaatwasmachine	4	M10
69	436F-02-005B	Druk op plaatdop	1	
70	QBR-6009	Handelswijze	1	6009
71	436F-02-006B	Druk op plaatdop	1	
72	QBL-M10X20	Bout	4	M10X20
73	QBL-BBM10X35	Bout met ronde kop	4	M10X35
74	QNT-TM10	Dunne noot	8	M10
75	QBL-SHM10X30	Bout met vierkante kop 76	4	
	QBL-7/16X11/2	Bout	8	7/16*3/2L
77	QWS-SM8	Veerring	8	M8
78	QWS-PM8	Plaatwasmachine	8	M8
79	436F-02-009B	Mesarm	4	
80	436F-02-014	Mesmontage	4	
81	436F-02-008	Kantelarm	4	
82	SCHRIJF-S22	O-ring	4	22x1,5t
83	436F-02-007B	Spin	1	
84	436F-02-010	Spin bus	1	
85	QBL-LM10X30	Inbusbout	1	M10x30

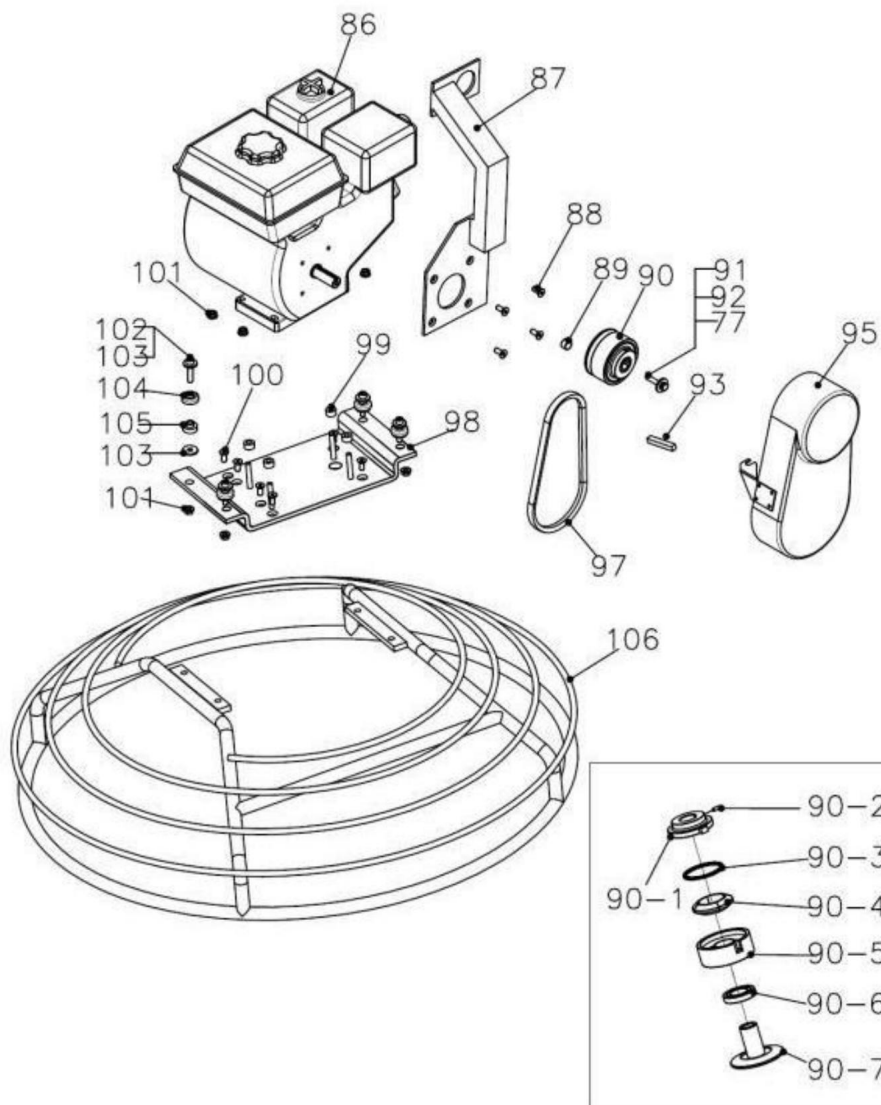
### Versnellingsbak



REF	Onderdelenr.	Beschrijving	AANTAL	Afmeting
	436F-03	Montage versnellingsbak	1	
25	QNT-NM10	Nylock-moer	4	M10
26	QWS-SM10	Veerring	5	M10
27	QWS-PM10	Plaatwasmachine	5	M10
36	QBL-M6X16	Bout	16	M6X16L
37	QRV-M8	Ontluchtingsventiel	1	
38	436F-03-004	Grote dekking	1	
39	436F-03-005	Pakking van grote deksel	1	
40	QBL-FHM10x25 platte inbusbout		1	M10x25
41	QWS-SSM10	Wasmachine	1	M10
42	QBR-30305	Handelswijze	1	30305
43	436F-03-008	Wormwiel	1	
44	QBR-6206	Handelswijze	1	6206
45	QKY-W6X10X25 46	Houten sleutel	1	6X10X25
	436F-02-012	Hoofdas	1	
47	QKY-6X25	Sleutel	1	6X25
48	436F-03-001	Schelp	1	
49	QBL-STM10x40	Stoeterij Winkel	4	M10x40
50	QBL-M10X16	Bout	1	M10X16
51	436F-03-007	Wormschacht	1	
52	QBR-32004	Handelswijze	1	32004
53	436F-03-006	Pakking van zijdeksel	2	
54	SCHRIJF-P55	O-ring	2	55x3,5t
55	436F-03-003	Afdekking uitvoerzijde	1	
56	QOS-20X40X8	Oliekeerring	1	
57	436F-04-005	Katrol	1	
58	QKY-5X35	Sleutel	1	5X35
59	QBL-M8X10	Bout	1	M8X10
60	QOS-27X47X10	Oliekeerring	1	27X47X10
61	436A-03-008WT	Olie drainage	2	
62	QBR-6004	Handelswijze	1	6004

63	436F-03-002	Zijdeksel	1	
64	QOCW-M27x1.5	Oliecontrolevensters	1	M27x1,5

## Veiligheidsring



REF	Onderdelennr.	Beschrijving	AANTAL	Afmeting
77	QWS-SM8	Veerring		M8
86	GX160	Motor GX-160	1	
87	W436F-005	Haaklift	1	
88	QBL-SHM8X20	Inbusbout	4	
89	436F-04-013	Koppeling bus	1	
90	CA-01	Koppeling	1	
90-1	CA-01-004	Gezichtsplaat	1	
90-2	QBL-AM8x16	Stelschroef	2	M8x16
90-3	CA-01-005	Koppelingsveer	1	
90-4	CA-01-003	Gewicht schoen	1	
90-5	CA-01-002	Koppelingstrommel	1	
90-6	QBR-6006	Handelswijze	1	6006
90-7	CA-01-001	Koppelingsas	1	
91	QBL-M8X35	Bout	1	M8X35
92	QWS-SPM8	Speciale plaatwasmachine	1	M8
93	QKY-5x5x50	Sleutel	1	5x5x50
95	436F-04-006	Riemaafdekking	1	
97	QBT-A26	V-riem	1	A26
98	W436F-002	Motorsteunplaat	1	
99	436F-04-107	Motorsteunbus	4	
100	QBL-FHM8X20	Kapbout met platte kop	4	M8X20
	QNT-M8	Noot	8	M8
102	QBL-LM8X40	Inbusbout	4	M8X40
103	QWS-PM8		8	M8
104	436F-04-004	Beker	4	
105	436F-04-003	Rubber	4	
106	W436F-004B	Veiligheidsring	1	



**VEVOR**®

**TOUGH TOOLS, HALF PRICE**

**Technische ondersteuning en e-  
garantiecertificaat [www.vevor.com/support](http://www.vevor.com/support)**

# **VEVOR®**

## **TOUGH TOOLS, HALF PRICE**

Teknisk support och e-garanticertifikat [www.vevor.com/support](http://www.vevor.com/support)

### **KRAFTSLÄPP**

**MODELL: HMR950, HMR1200**

Vi fortsätter att vara engagerade i att ge dig verktyg till konkurrenskraftiga priser.

"Spara hälften", "halva priset" eller andra liknande uttryck som används av oss representerar bara en uppskattning av besparingar du kan dra nytta av att köpa vissa verktyg hos oss jämfört med de stora toppmärkena och betyder inte nödvändigtvis att täcka alla kategorier av verktyg som erbjuds av oss. Du påminns vänligen om att noggrant kontrollera när du gör en beställning hos oss om du faktiskt sparar hälften i jämförelse med de främsta stora varumärkena.

**VEVOR**<sup>®</sup>  
TOUGH TOOLS, HALF PRICE

**KRAFTSLÄPP**

**MODELL: HMR950, HMR1200**



<Endast bild för referens>

### **BEHÖVS HJÄLP? KONTAKTA OSS!**

Har du produktfrågor? Behöver du teknisk support? Kontakta oss gärna: **Teknisk support och e-garanticertifikat [www.vevor.com/support](http://www.vevor.com/support)**

Detta är den ursprungliga instruktionen, läs alla instruktioner noggrant innan du använder den. VEVOR reserverar sig för en tydlig tolkning av vår användarmanual. Utseendet på produkten är beroende av den produkt du fått. Ursäkta oss att vi inte kommer att informera dig igen om det finns någon teknik eller mjukvaruuppdateringar på vår produkt.

# VIKTIGA SÄKERHETSÅTGÄRDER



**WARNING:** Läs och förstå hela denna manual innan du använder eller servar denna produkt. Underlåtenhet att följa dessa varningar och instruktioner kan orsaka personskada eller skada på värdefull egendom.

## 1. Säkerhetsinformation

### 1.1 Lagar som hänför sig till gnistfångare

Meddelande: Statens hälsosäkerhetskoder och allmänna resurser anger att gnistfångare på vissa platser ska användas på förbränningsmotorer som använder kolvätebränslen. En gnistfångare är en anordning utformad för att förhindra oavsiktlig utsläpp av gnistor eller lågor från motorns avgaser. Gnistfångare är kvalificerade och klassade av United States Forest Service för detta ändamål.

För att följa lokala lagar om gnistfångare, kontakta motordistributören eller den lokala hälso- och säkerhetsadministratören.

### 1.2 Driftsäkerhet



#### **VARNING**

Förtrogenhet och korrekt utbildning krävs för säker användning av utrustning! Utrustning som används felaktigt eller av utbildad personal kan vara farlig! Läs bruksanvisningen som finns i både denna bruksanvisning och motormanualen och bekanta dig med placeringen och korrekt användning av alla reglage. Oerfarna operatörer bör få instruktioner från någon som är bekant med utrustningen innan de får använda maskinen. • Tillåt ALDRIG någon att använda denna utrustning utan lämplig utbildning.

Personer som använder denna utrustning måste känna till de risker och faror som är förknippade med den.

- Rör ALDRIG motorn eller ljuddämparen medan motorn är på eller omedelbart efter att den har stängts av. Dessa områden blir varma och kan orsaka brännskador. • Använd ALDRIG tillbehör eller tillbehör som inte rekommenderas av

Tomahawk Power. Det kan uppstå skador på utrustningen och användaren. • Lämna ALDRIG maskinen igång utan uppsikt. • Se ALLTID till att operatören är bekant med lämpliga säkerhetsåtgärder och driftteknik innan du använder maskinen. • Bär ALLTID ANSI Z87.1-godkända skyddsglasögon eller skyddsglasögon med sidoskydd, eller vid behov en ansiktsskärm. Använd en dammmask i dammiga arbetsförhållanden. Använd även halkfria skyddsskor, hjälm, handskar, dammsamlingssystem och hörselskydd när så är lämpligt. Detta gäller till alla personer i arbetsområdet. •

Stäng ALLTID bränslekranen på motorer utrustade med en sådan när maskinen är inte opereras. • Förvara

ALLTID utrustning på rätt sätt när den inte används. Utrustning bör förvaras på en ren, torr plats utom räckhåll för barn. • **Kör ALLTID** maskinen med alla säkerhetsanordningar och skydd på plats och i fungerande skick. Modifiera eller ta INTE bort säkerhetsanordningar. LÅT BLI kör maskinen om någon säkerhetsanordning eller skydd saknas eller inte fungerar. • **Läs, förstå och följ ALLTID** procedurerna i bruksanvisningen innan du försöker använda utrustningen.

### 1.3 Säkerhet vid användning av förbränningsmotorer



Förbränningsmotorer utgör särskilda faror under drift och tankar! Läs och följ varningsanvisningarna i motorägarens manual och säkerhetsriktlinjer nedan. Underlåtenhet att följa varningar och FARA säkerhetsriktlinjer kan resultera i allvarliga skada eller dödsfall. • **Kör INTE maskinen inomhus eller i ett slutet område som t.ex diken om det inte finns tillräcklig ventilation, genom sådana föremål som frånluftsfläktar eller slangar medföljer. Bensinavgas från motorn innehåller giftig kolmonoxidgas; exponering för kolmonoxid kan orsaka medvetlöshet och kan leda till**

död. •

Rök INTE när du använder maskinen. • Rök INTE när du tankar motorn. • Tanka INTE varm eller igång motor. • Tanka INTE motorn nära öppen låga. • Spill INTE bränsle när du tankar motorn. • Kör INTE motorn nära öppen låga. • Fyll ALLTID på bränsletanken i ett välventilerat utrymme. • Sätt ALLTID tillbaka tanklocket efter tankning. • Kontrollera ALLTID bränsleledningar och bränsletank för läckor och sprickor innan

startar motorn. • Kör

INTE maskinen om det finns bränsleläckor eller om bränsleledningarna är lösa.

## 1.4 Servicesäkerhet



### VARNING

Dåligt underhållen utrustning kan bli en säkerhetsrisk! För att utrustning för att fungera säkert och korrekt under en lång tidsperiod, periodisk

underhåll och enstaka reparationer är nödvändiga. • **Försök INTE att rengöra eller serva maskinen medan den är igång.**

Roterande delar kan orsaka allvarliga skador. • **Dra INTE igång en översvämmad motor med tändstiftet borttaget bensindrivna motorer. Bränsle som fastnat i cylindern kommer att spruta ut tändstiftsöppningen. • Testa**

**INTE för gnistor på bensindrivna motorer, om motorn är det översvämmad eller lukten av bensin är närvarande. En herrelös gnista kan antändas ånga. •**

**ANVÄND INTE bensin eller andra typer av bränslen eller brandfarliga lösningsmedel för att rengöra delar, särskilt i slutna utrymmen. Rök från bränslen och lösningsmedel kan bli explosiva. • Håll**

**ALLTID området runt ljuddämparen fritt från skräp som löv, papper, kartonger etc. En het ljuddämpare kan antända dem och starta eld.**

- **Byt ALLTID ut slitna eller skadade komponenter mot reservdelar designad och rekommenderad av Tomahawk Power.**
- **Koppla ALLTID ur tändstiftet på maskiner utrustade med bensinmotorer, före service, för att undvika oavsiktlig start.**
- **Håll ALLTID maskinen ren och etiketter läsliga. Ersätt alla som saknas och svårlästa etiketter. Etiketter ger viktig funktion instruktioner och varnar för faror och faror.**
- **Kontrollera ALLTID för skadade delar före varje användning. Kontrollera noga att glättaren kommer att fungera korrekt och utföra sin avsedda funktion.**
- **Byt ut skadade eller slitna delar omedelbart. Använd aldrig murslev med en skadad del.**
- **Inspektera ALLTID skriden före förvaring och före återanvändning. Förvara glättaren på en torr och säker plats utom räckhåll för barn när de inte används.**
- **Använd ALLTID endast tillbehör som rekommenderas av tillverkare för användning med glättaren. Tillbehör som kan vara lämplig för en glättare kan skapa risk för skador när den används med skridutrustning.**
- **Håll ALLTID knivarna rena när de inte används och skydden på plats och i fungerande skick.**

## **2 Produktinformation**

### **2.1 Avsedd användning**

Lämna mödosamma handarbeten i det förlutna med Tomahawk Power Murslev! Förtäta betonggolv med lätthet för dina perfekta slutresultat på projekt inklusive uppfarter, källare och kommersiella/industriella jobb.

### **2.2 Glättarens bekantskap**

VEVORs Power Trowels är designade för flytning och efterbehandling av betongplattor. Analysera din murslev och lägg märke till varje komponent: den motor, blad, snabb pitch-kontroll, luftrenare, centrifugalstoppbrytare, kopplings- och remskivasystem. Se till att det alltid finns olja i motorn.

### **2.3 Säkerhet**

Innan du använder din elektriska glättare, läs alla säkerhetsinstruktionerna noggrant. Säkerhetsinstruktioner finns tillgängliga i hela denna manual och på Utrustning. Säkerhetsinformationen bör förbli i gott och läsbart skick. Operatörer måste vara väl utbildade i drift och underhåll av murslev.

Innan du börjar, testa glättaren på en plan, urvattnad del av färdigt betong. Testa på en sektion som är fri från skräp och andra föremål. Testkörningen kommer att öka operatörens förtroende, samtidigt som det hjälper till att bli bekant själv med glättarens kontroller. Dessutom kommer detta att hjälpa operatörer förstå hur den elektriska glättaren fungerar under verkliga förhållanden.

## **2.4 Motor**

VEVORs Power Trowels drivs av Kohler Engines. Referera till motorns instruktionsbok för instruktioner angående drift och underhåll av din motor. Motormanualen medföljer din murslev.

## **2.5 Drivsystem**

Kraften överförs från motorn till växellådans ingående axel via en Kilremsdrift

systemet. Remskivan kopplas in med antingen en centrifugal eller manuell koppling. Se avsnittet Delar i denna handbok för mer information.

## **2.6 Växellåda**

Växellådan är placerad under motorn och överför kraften till rotorn eller spiderbox monteringen. Växellådan styr rotationshastigheten på glättare och är utrustad med två axlar (ingång och utgång).

## **2.7 Spiderbox**

Växellådans vertikala utgående axel ansluter till ett gjutet nav som kallas spindellåda. Spiderboxen har 4 armar som sträcker sig utåt som används för fastsättning av blad eller andra tillbehör. Kom ihåg: när växellådan utgående axel roterar, så även spiderbox-enheten.

## **2.8 Blad**

Glättarens blad används för att avsluta betongen när de roterar runt din givna yta. Denna glättare innehåller 4 kombinationsblad per rotor. De är lika fördelade i ett radiellt mönster och fästa vid

vertikalt roterande axel med hjälp av spindelenheten.

## 2.9 Centrifugalkoppling

I händelse av ett tillstånd med glättare som är rinnande (operatören släpper handtag), kommer centrifugalkopplingen att stoppa motorn och föra glättaren till a helt stopp.

## 2.10 Utbildning

För korrekt utbildning, se avsnittet "TRÄNINGSCHECKLISTA" som finns på baksidan av denna handbok. Denna checklista innehåller en

skiss för en erfaren operatör att ge utbildning till en ny operatör.

## 3. Tekniska specifikationer

### Murslev

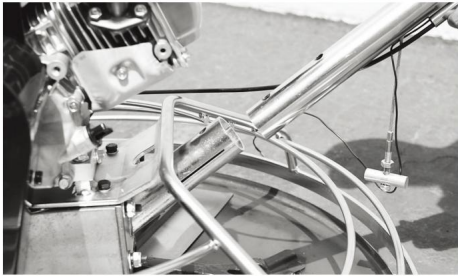
<b>Modell</b>	HMR950	HMR1200
<b>Motor</b>	CH260	CH440
<b>Antal blad</b>	4	4
<b>Skivans diameter</b>	38 tum	46 tum
<b>Optimal bladvinkel justering(°)</b>	0-15	0-15

### Motor

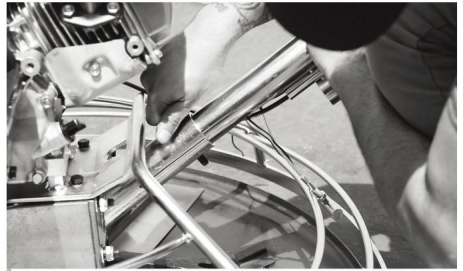
<b>Modell</b>	CH440
<b>Typ</b>	4-takt, överhörd kamaxel, 1 cylinder
<b>HP</b>	14
<b>Transmissionssystem</b>	Snäckväxel och mask
<b>Bränsleförbrukning (g/kWh)</b>	374
<b>Maxhastighet (r/min)</b>	2800

## 4 Användarhandbok

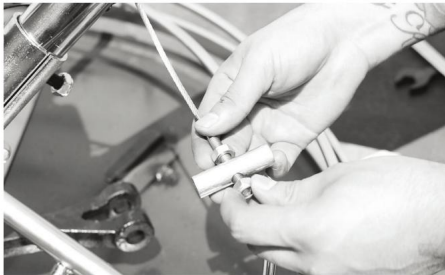
### 4.1 Expressinställning



Steg 1: Sätt in änden av styrstångens kolumn i basen av murslev.



Steg 2: Sätt in bultarna och brickorna genom hålen i styret - fäst med en mutter.



Steg 3: Skruva loss muttern från stiftet och för in stiftet genom basen på glättaren.



Steg 4: Sätt in skruven genom stiftet och fäst muttrarna på toppen och botten för att hålla den på plats.

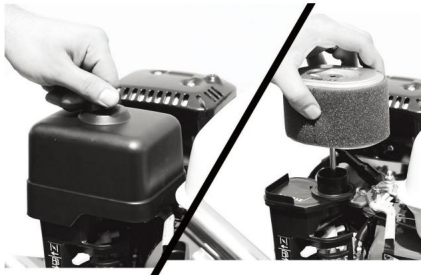


Steg 5: Montera styret runt ögat mot toppen av styrets kolumn.

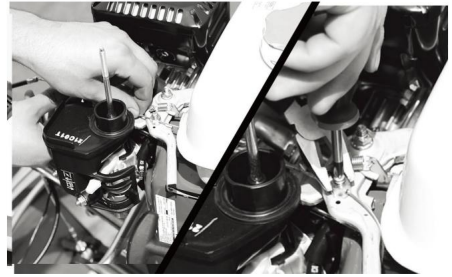


Steg 6: Placera bulten genom basen av handtagen och sedan fäst med en mutter på änden.

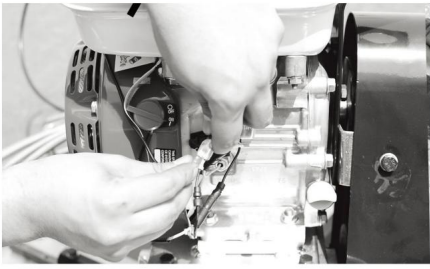
## 4.2 Snabbstartguide



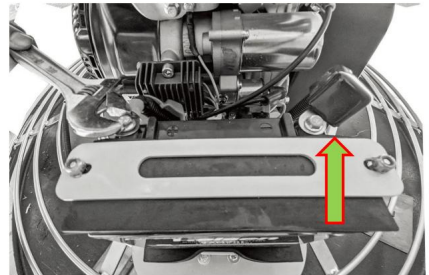
Steg:7 För att fästa gaskabeln, ta bort luftfiltret och locket.



Steg:8 Mata kabeln genom vridmutter och genom sviveln stoppa och skruva sedan fast skruven.



Steg:9 För in kill switch-kabeln till framsidan av motorn och anslut det är avstängningsknappen.



Steg:10 Fäst den positiva (röda) och negativa (svarta) motorledningar till batteriet.

## 5. Kontroller och komponenter

### 5.1 Handtag

Inkluderar ett "stjärnhjul" för manuell justering av bladvinkeln.



## 5.2 Vikbart handtag för snabb stigning

Använder ett spakhandtag för att snabbt justera bladlutningen. Handtagsveck för förvaring.



## 5.3 Centrifugaldödsomkopplare I

händelse av att operatören tappat kontrollen över glättaren kommer denna omkopplare att stänga av motorn.



## 5.4 Gasreglage Gasreglaget styr

motorns varvtal. Flytta handspaken mot föraren för att öka motorvarvtalet (högt), bort från föraren för att minska motorvarvtalet (lågt).



## **5.5 Cykelstyre**

Glättarens bredare styre möjliggör högre stabilitet, balans och manövrerbarhet. Byt ut handtagen om de blir slitna eller skadade.

## **5.6 Motor**

VEVORs glättare använder Kohler-motorer och stöds av en 3-årsmotor garanti för pålitlig service.

## **5.7 Bladstigningskontroll**

Justera glättarens stålblad från 0-15 grader för att få ett matt, lätt glans eller glänsande finish.

## **5.8 Skyddsring**

Placera ALDRIG händer och fötter inuti skyddsringen.

## **5.9 Glättarm**

Ger fästpunkter för bladen. Om knivarna uppvisar ojämnt slitage mönster eller om bladen slits ut snabbare än andra, kan glättaren behöva att bli ersatt.

## **5.10 Blad**

Denna glättare är utrustad med 4 kombohärdade stålblad avsedda för både flyt- och slutoperationer. Dessa blad är utbytbara med de flesta tillverkare.

## **5.11 Kilremskåpa**

Ta bort detta skydd för att komma åt kilremmen. Använd ALDRIG glättaren med detta lock borttaget.

## **5.12 Handtag**

Lossa för att vika handtaget.

# **5.2 Ytterligare komponenter**

## **5.2.1 Stabilisatorring**

Stabilisatorringen minskar vibrationerna från glättararmen och håller kvar den balanserad.

## **5.2.2 Float Pan**

Utformad för att fästa på kombinationsbladen arbetar flytträget för att bryta ner höga fläckar, vilket tar murbruk till ytan och ger en enhetlig och

plan platta.

### 5.2.3 Extra lyftrör

Använd detta rör för att lyfta glättaren på en platta. Slangen ska föras in i uttag placerat framför växellådan. Finns med utvalda enheter.

## 6. MOTOR

### 6.1 Service

VEVORs glättare drivs av Kohler-motorer. Motorn måste vara kontrolleras för korrekt smörjning och fylls med bränsle före drift. Hänvisa till tillverkarens motormanual för instruktioner och detaljer om driften och service. Om ett problem skulle uppstå, eller om du har några frågor om din motor, kontakta en auktoriserad Kohler-serviceåterförsäljare.

## Vikten av underhåll

Bra underhåll är avgörande för säkert, ekonomiskt och problemfritt drift. Det kommer också att bidra till att minska föroreningarna.



### **VARNING**

- Felaktigt underhåll, eller underlåtenhet att åtgärda ett problem före användning, kan orsaka ett funktionsfel där du kan skadas allvarligt eller dödas.

Följ alltid inspektions- och underhållsrekommendationerna och scheman i denna bruksanvisning.

För att hjälpa dig att ta hand om din motor på rätt sätt, innehåller följande sidor en underhållsschema, rutinmässiga inspektionsprocedurer och enkelt underhållsprocedurer med hjälp av grundläggande handverktyg. Andra serviceuppgifter som är svårare, eller kräver specialverktyg, hanteras bäst av professionella och utförs normalt av en Kohler-tekniker eller annan kvalificerad mekaniker.

Underhållsschemat gäller för normala driftförhållanden. Om du kör din motor under svåra förhållanden, såsom långvarig hög belastning eller högtemperaturdrift, eller användning i ovanligt våta eller dammiga förhållanden, kontakta din återförsäljare för rekommendationer som gäller för din individuella behov och användning.

**Underhåll, byte eller reparation av avgasrengöringsanordningar och system kan utföras av alla motorreparationsanläggningar eller individuell, med delar som är "certifierade" enligt EPA-standarder.**

## **6.2 Underhållssäkerhet**

Några av de viktigaste säkerhetsåtgärderna följer. Det kan vi dock inte varnar dig för alla tänkbara faror som kan uppstå vid uppträdande underhåll. Bara du kan bestämma om du ska utföra en given uppgift.

### **! VARNING**

**Underlåtenhet att korrekt följa underhållsinstruktioner och försiktighetsåtgärder kan göra att du blir allvarligt skadad eller dödad. Följ alltid procedurer och försiktighetsåtgärder i denna bruksanvisning.**

### **! VARNING:**

Försök **ALDRIG** att lyfta glättaren själv.

Få **ALLTID** hjälp av en annan person för att hjälpa till att lyfta glättaren.

## **6.2 Underhållssäkerhet fortsättning**

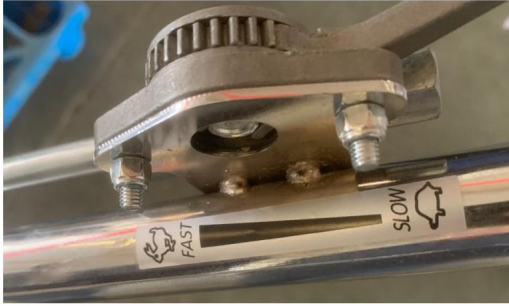
### **6.2.1 Bränslepåfyllningslock**

Ta bort locket för att fylla på blyfri bensin i bränsletanken. Se till att tanklocket är ordentligt åtdraget. Överfyll **INTE**.



### **6.2.2 Gasreglage**

Gasspaken används för att justera motorvarvtalet (spaken avancerat framåt **LÅNGSAMT**, spak bakåt mot förenen **FAST**).



### 6.2.3 Motor PÅ/AV-strömbrytare PÅ-läge

tillåter motorstart, AV-läge stoppar motorns arbete.



### 6.2.4 Rekylstartare (dragrep)

Manuell startmetod. Dra i starthandtaget tills motstånd känns, dra sedan snabbt och mjukt.



### 6.2.5 Bränsleventilnivå

ÖPPNA för att låta bränsle flöda, STÄNG för att stoppa bränsleflödet.

### 6.2.6 Choke Spak Används

vid start av en kall motor eller i kalla väderförhållanden, choken berikar bränsleblandningen.

### 6.2.7 Luftrenare

Luftrenaren förhindrar att smuts och annat skräp kommer in i bränslesystemet. För att komma åt filterelementet, ta bort vingmuttern ovanpå luftfiltret burk.

NOTERA:

**Kör inte motorn utan luftfilter, med skadad luft filter, eller ett filter som behöver bytas ut. Detta gör att smuts kommer in i motorn och orsaka snabbt motorslitage.**

### 6.2.8 Tändstift

Tändstiftet ger en gnista till tändsystemet. Rengör gnistan plugga en gång i veckan. Ställ in tändstiftsavståndet till 0,6 - 0,7 mm (0,028 - 0,031 tum).

### 6.2.9 Ljuddämpare

Ljuddämparen används för att minska buller och utsläpp från motorn.



### VARNING

Motorkomponenter kan generera extrem värme. För att förhindra brännskador, **GÖR** Rör **INTE** vid dessa områden medan motorn är igång eller omedelbart efter fungerar.

Kör **ALDRIG** motorn med ljuddämparen borttagen.

### 6.2.10 Bränsletank

Bränsletanken rymmer blyfri bensin. För mer information, se motorns instruktionsbok.

## 7. FÖRINSPEKTION

Använd **ALDRIG** den elektriska glättaren i ett begränsat utrymme eller en sluten struktur som inte ger tillräckligt fritt luftflöde.

Bär **ALLTID** godkända glasögon och hörselskydd innan använda glättaren.

Placera **ALDRIG** händer eller fötter inuti skyddsringarna när motorn är igång löpning.

Stäng **ALLTID** av motorn innan du utför någon form av underhåll på glättaren.

Det rekommenderas att glättarens dödlägesbrytare används för att stoppa motorn efter varje användning. Om du gör detta kommer du att verifiera att omkopplaren fungerar korrekt och utgör ingen fara för operatören.

## 7.1 Innan du startar

7.1.1 Läs säkerhetsinstruktionerna i början av denna manual.

7.1.2 Rengör den elektriska glättaren genom att ta bort smuts och damm, särskilt i den motorns kylluftintag, förgasare och luftrenare.

7.1.3 Kontrollera luftfiltret för smuts och damm. Om luftfiltret är smutsigt, byt ut det med en ny efter behov.

7.1.4 Kontrollera förgasaren för extern smuts och damm. Rengör den med torr komprimerad luft.

7.1.5 Kontrollera att fästmuttrar och bultar är åtdragna.

## 7.2 Motoroljekontroll

7.2.1 För att kontrollera motoroljenivån, placera den elektriska glättaren på ett säkert sätt plan mark med avstängd motor.

7.2.2 Ta bort påfyllningsstickan från påfyllningshålet för motorolja (FIG. 2) och torka rent.

7.2.3 Sätt i och ta bort oljestickan utan att skruva in den i påfyllningsröret.

Kontrollera oljenivån som visas på oljestickan.

7.2.4 Om oljenivån är låg (FIG. 3), fyll på till kanten av oljepåfyllningshålet med rekommenderas med SAE10W-30 4-taktsolja. Maximal oljekapacitet är 400 cc.

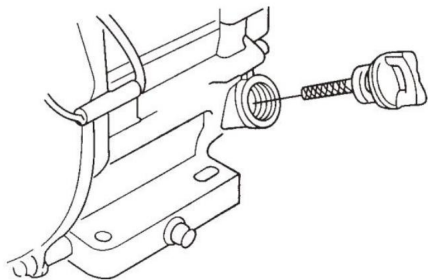


FIG.2

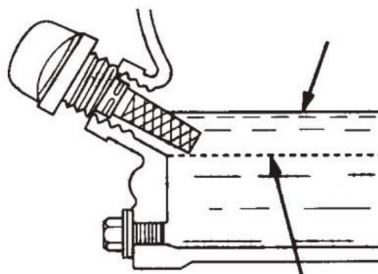


FIG.3

### 7.3 Bränslekontroll

Motorbränslen är mycket brandfarliga och kan vara farliga om de hanteras fel.

Rök INTE när du tankar. FÖRSÖK INTE att tanka glättaren om

motorn är varm eller går.

7.3.1 Ta bort bensinlocket som sitter ovanpå bränsletanken.

7.3.2 Inspektera visuellt om bränslenivån är låg. Om bränslet är lågt, fyll på med 89 oktanic bensin.

7.3.3 Vid tankning, se till att använda en sil för filtrering. Fyll INTE på bränslet. Torka upp eventuellt utspillt bränsle.

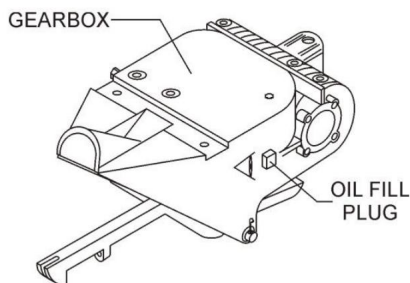


FIG.4

### 7.4 Växellådsolja

7.4.1 Fastställ om växellådans olja är låg genom att ta bort oljepluggen som sitter på sidan av

wäxellåda. Denna kontakt kommer att märkas med "check"-dekalen. Se FIG. 4. Den korrekta nivån på smörjoljan ska vara till botten av påfyllningspluggen.

7.4.2 Om smörjolja börjar sippra ut när avtappningspluggen tas bort, då kan man anta att växellådan har en tillräcklig mängd olja.

7.4.3 Om smörjolja inte sipprar ut när avtappningspluggen tas bort, fyll på med växellådsolja av typ ISO 680 tills oljepåfyllningshålet svämmar över.

### 7.5 kilremskontroll

En sliten eller skadad kilrem kan påverka din prestanda negativt

kraftspackel. Om en kilrem är defekt eller utsliten, byt bara ut kilremmen som beskrivs i underhållsavsnittet i denna handbok.

## 7.6 Bladkontroll

Innan du börjar, kontrollera om det finns slitna eller skadade knivar. Om ett blad är utslitet medan de andra ser nya ut, kan detta bero på ett problem med bladstigningen.

Se underhållsavsnittet i denna handbok för instruktioner om

justeringsprocedur för bladstigning. Byt ut slitna blad.

## 7.7 SÄKERHETSBRYTARE

Denna elektriska glättare har utrustats med en säkerhetsbrytare. Säkerhetsdöda brytare bör testas varje gång motorn startas.

### NOTERA

**ALDRIG! inaktivera eller koppla bort stoppbrytaren. Det är försett förarens säkerhet. Skador kan uppstå om den är inaktiverad, fränkopplad eller felaktigt underhållen.**

## 7.8 HANDTAG TRYCK DÖDSBRYTARE

På huvudhandtagets rör finns en röd strömbrytare (FIG. 5). Växlingen mekanismen för denna omkopplare ska fungera fritt och ska alltid behållas i detta tillstånd. Med strömbrytaren i läge OFF bör motorn inte starta eller springa. Syftet med denna omkopplare är att stoppa motorn i en skenande situation, (dvs operatören släpper handtaget under drift).

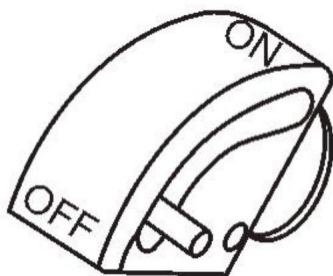


FIG.5

LÅT **INTE** maskinen stå oanvänd med motorn på hög hastighet under en längre tidsperiod. Det kommer att orsaka för tidigt bälteslitage eller kan förstöra bältet.

Ställ **ALLTID** motorvarvtalet på tomgång när handkopplingen är urkopplad.

## 8. FÖRSTA UPPSTART

Lyfta glättaren på en platta

### 8.1 Extra lyftrör

Ta bort det extra lyftröret som finns på toppen av huvudhandtaget. Föra in röret in i uttaget som ligger på motsatt sida av växellådan från handtaget. Se till att hålet i röret griper in i stiftet i uttag. Med en person som lyfter från huvudhandtaget och en annan lyfter från det extra lyftröret, plocka upp maskinen för att flytta upp på en platta.



### **VARNING**

**Glättaren måste stabiliseras av den som bär operatörens hantera. Om det inte stabiliseras ordentligt kan handtaget svänga runt och vänd glättaren, vilket på så sätt orsakar skador på glättaren och kroppen skada.**

### 8.2 Lyfta bal

Lyftbalen är valfri på nya glättare. Det ger en optimal lyftpunkt för flytta glättaren. Lyftbalar eller gaffeltruck kan användas för att lyfta upp en glättare på en bygga med en kran.

Att använda en kran för att flytta en maskin med en lyftbal rekommenderas starkt och är helt säkert för maskinen. Extra försiktighet bör iakttas när dock lyfta maskinen från marken. Allvarlig skada på maskinen eller personskada kan orsakas av att du tappar en murslev.

### 8.2 Lyfta bal fortsättning

Detta avsnitt är avsett att hjälpa operatören med den första uppstarten av gå-bakom murslev. Det är oerhört viktigt att detta avsnitt läses försiktigt innan du försöker använda glättaren på fältet.

ANVÄND **INTE** din murslev förrän detta avsnitt är väl förstått.



### **VARNING**

**Försök INTE att använda glättaren förrän Säkerhet, Allmänt Information och inspektionsavsnitt i denna handbok har lästs och grundligt förstått. Beroende på motortillverkaren,**

driftsstegen kan variera. Se motortillverkarens drift manuell.

## 9. STARTA MOTORN

9.1 Placera motorns bränsleventilspak (FIG. 6) till läget "PÅ".

9.2 Placera glättarens gasreglage (FIG. 1) till läget "TOMGÅNG".

9.3 Placera chokereglaget (FIG. 7) i läget "STÄNGD" om du startar en kall motor.

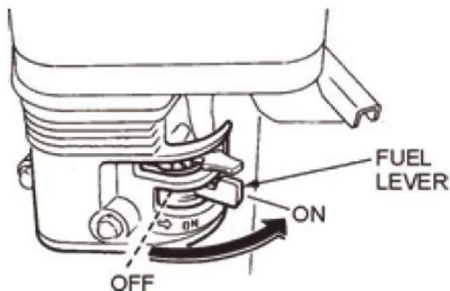


FIG.6

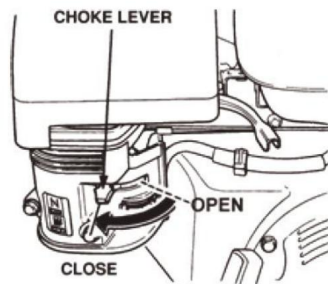


FIG.7

9.4 Placera choken (FIG. 8) i läge "ÖPPEN" om du startar en varm motor eller temperaturen är varm.

9.5 Sätt motorns ON/OFF-omkopplare (FIG. 9) i läget "ON".

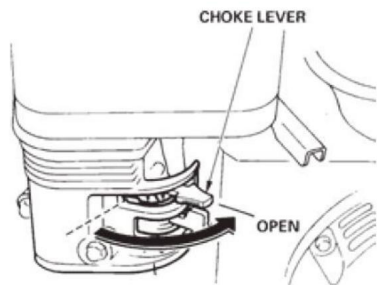


FIG.8

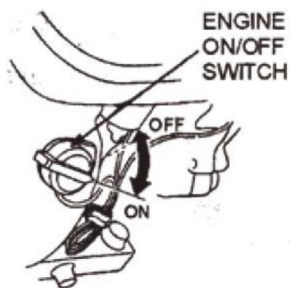


FIG. 9

9.6 Ta tag i starthandtaget (FIG. 10) och dra långsamt ut det. Motståndet blir svårast vid en viss position, motsvarande

kompressionspunkt. Dra i starthandtaget snabbt och mjukt för start.

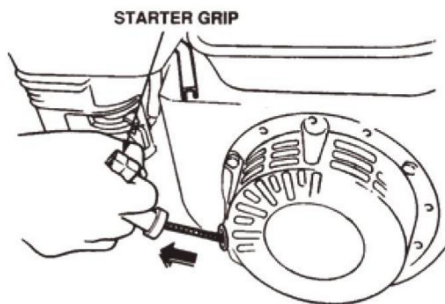


FIG. 10

9.7 Om motorn har startat, ställ långsamt tillbaka chokespaken (FIG. 7) till

Öppen position. Om motorn inte har startat, upprepa steg 1 till 6.

9.8 Innan glättaren tas i drift, kör motorn flera gånger

minuter. Kontrollera efter bränsleläckor och ljud som kan förknippas med en lös Kilremskåpa eller komponent.

9.9 För att börja glätta, flytta gasreglaget (FIG. 11) mot "SNABB"-läget.

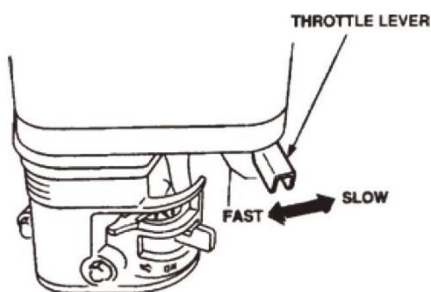


FIG. 11

## 10. STÄNG AV MOTORN

10.1 Flytta gasreglaget till TOMGÅNGS- eller LÅNGSAMT läge (FIG. 11) och kör motorn i tre minuter på låg hastighet.

10.2 Efter att motorn svalnat, vrid motorns start/stopp-omkopplare till läget "OFF" (FIG. 12).

10.3 Stäng bränsleavstängningsventilen (FIG. 13) genom att flytta bränsleventilspaken till AV-läget.

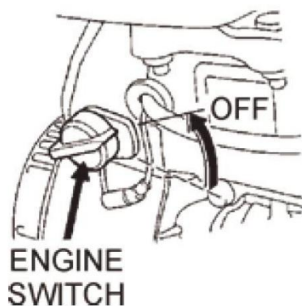


FIG.12

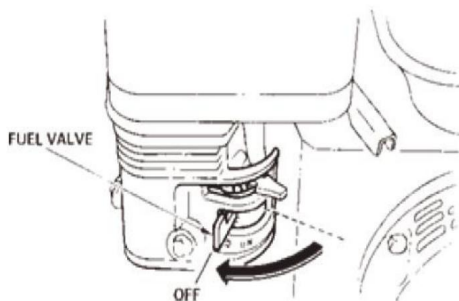


FIG.13

## 11. DRIFT

Följande steg är avsedda som en grundläggande vägledning för maskindrift och ska inte betraktas som en komplett vägledning för efterbehandling av betong. Läs avsnittet "Utbildning" i denna handbok för mer information.

### 11.1 Manövrera glättaren

11.1.1 Gå in i förarplatsen bakom handtaget. Med en säker fotfäste och ett rm-grepp om handtagen ökar sakta motorvarvtalet tills önskad knivhastighet uppnås.

11.1.2 För att manövrera glättaren, lyft försiktigt upp eller tryck ner huvudet spackelhandtag.

För att flytta maskinen till förarens vänster, lyft upp handtaget för att flytta maskinen till höger, tryck ned handtaget.

11.1.3 Justera bladets stigning på standardhandtaget genom att vrida stigningen

Justera hjulet medurs eller moturs. • **För att flytta**

**glättaren till operatörens vänster, Lyft upp på handtaget, till**

**flytta glättaren till höger och tryck ner handtaget. • Kom ihåg! att om**

**du släpper på murslev så är det bara att gå bort och låta den**

**sluta helt innan du försöker återställa glättaren. • Den bästa metoden för**

**efterbehandling av betong är att sakta gå bakåt**

**med glättaren, styr glättaren från sida till sida. Detta kommer att täcka alla**

**fotspår på våt betong.**

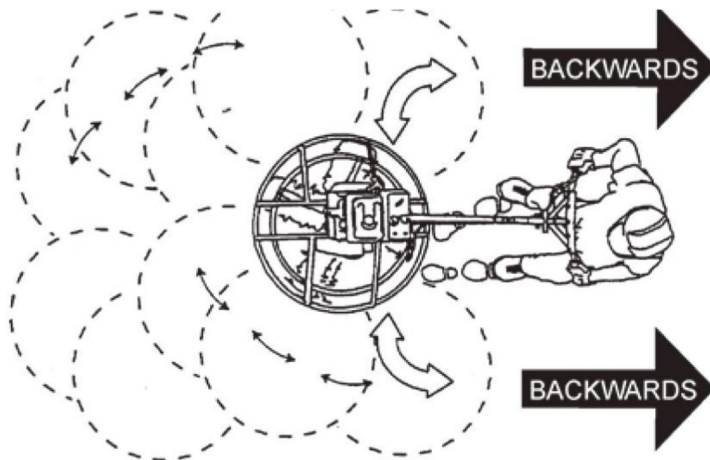


FIG.14



## VARNING

Placera **ALDRIG** dina fötter eller händer inuti skyddsringarna när du startar eller använder denna utrustning.

Håll **ALLTID** borta från roterande eller rörliga delar när du använder denna utrustning.

## 12. TILLBEHÖRSALTERNATIV

### 12.1 Blad

#### NOTERA

Bladen bör bytas när de inte klarar av att avsluta betongen på ett tillfredsställande sätt sätt.

Blad är en viktig del av efterbehandling av betong. Denna glättare har designats för att ytbehandla betong och är byggd enligt stränga kvalitetsstandarder av det finaste glättarstålet. Om du behöver byta blad, se din reservdelslista i denna manual för artikelnummer.

### 12.2 Kombinationsblad

Denna glättare var utrustad med kombinationsblad av FLOAT/FINISH (FIG. 15) som originalutrustning. Dessa blad har designats för optimal prestanda vid både flytande och efterbearbetning. Dessa

bladen är mångsidiga och bör ta hand om de flesta glättningsbehov.

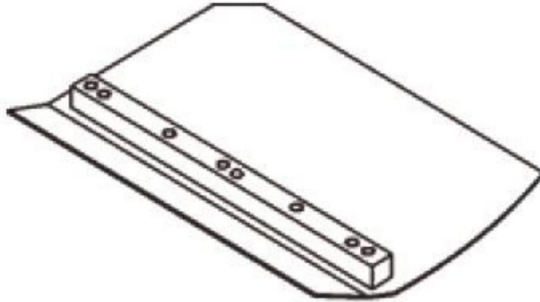


FIG.15

### 12.3 Finish Blades (valfritt)

Dessa blad har designats speciellt för finishoperationer med denna glättare. De kommer att ge en förstklassig ytfinish från din murslev. De bör endast användas efter att betongen har stelnat till en punkt där glättaren inte sjunker ner i betongen när den placeras på den.

### 12.4 Clip-On flytblad (tillval)

Dessa blad kommer att fästas (FIG.16) på ett befintligt installerat blad, vilket gör att din efterbehandlare kan flyta på "våt" betong så att glättningen kan påbörjas så tidigt som möjligt. De är lätta att ta bort, så att efter flytoperationen, när betongen är tillräckligt härdad, kan de tas bort för att exponera slutbladen för fortsatt glättning.

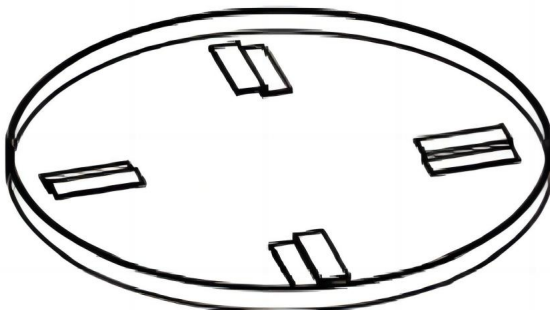


FIG.16

### 12.5 Flytskivor (valfritt)

Dessa runda skivor fäster på spindlarna och låter maskinen "flyta" på "våt" betong. Skivans design tillåter tidigt flytande och enkel rörelse

från våta till torra områden. De är också mycket effektiva för att bädda in stora ballast och ythärdare.

## **13. UNDERHÅLL**

### **13.1 Underhållsschema**

#### **Dagligen (8-10 timmar)**

1. Kontrollera oljenivån i motorns vevhus och växellåda, fyll på som nödvändig.
2. Kontrollera kilrem.

#### **Varje vecka (50-60 timmar)**

1. Smörj om armar, tryckkrage och koppling
2. Byt ut knivarna vid behov.
3. Kontrollera och rengör eller byt ut motorns luftfilter vid behov.
4. Byt ut motorolja och filter vid behov, se motormanualen.

#### **Varje månad (200-300 timmar)**

1. Ta bort, rengör, sätt tillbaka och smörj om armarna och tryckkragen. Justera bladarmar.

#### **Årligen (2000-2500 timmar)**

1. Kontrollera och byt vid behov ut armbussningarna, tryckkragsbussningarna och axeltätningar.
2. Kontrollera stigningskontrollkablarna för slitage.
3. Justera knivhastigheten.

### **13.2 Justering av glättararm**

Använd följande procedur för att kontrollera och justera glättararmar och kontrollera efter slitna eller skadade komponenter när det blir uppenbart att glättaren är slutar dåligt eller i behov av rutinunderhåll. Leta efter följande indikationer. Glättararmsinriktning, slitna spindelbussningar eller böjda glättararmar kan orsaken. • Slits knivarna ojämnt? Är ena bladet helt utslitet medan andra ser nya ut?

- Har maskinen en märkbar rullande eller studsande rörelse när den är i

använda sig av?

- Titta på maskinen medan den är igång; gör vaktringarna "rock up and ner" i förhållande till marken?

### 13.2.1 Placera glättaren på ett PLATT, JÄVLA område.

Ett jämnt, rent område för att testa glättaren före och efter är viktigt. Några ojämna fläckar i golvet eller skräp under glättarbladen ger en felaktig uppfattning om justering. Helst en 5 x 5 Ft. (1,5 x 1,5 meter) tre kvarts tum (19 mm) tjock PLAT stålplåt ska användas för testning.

13.2.2 Vinkla knivarna så plant som möjligt. Justeringsbultarna ska alla få knappt kontakt med den nedre slitplattan på spiderboxen. Om man är det inte tar kontakt kommer justering att behövas. (FIG. 17, FIG. 4).

### 13.2 Justering av glättararm fortsättning

FIG. 17 illustrerar "felaktig inriktning", slitna spindelbussningar eller böjda murslevvarmar. Kontrollera att justeringsbulten knappt rör vid (0,10" max. spel) den nedre slitplattan. Alla justeringsbultar ska placeras på avstånd från samma avstånd från den nedre slitplattan.

1 justeringsbult

2 Nedre slitplåt

3 Yta

4 "Dished" effekt på färdig betong

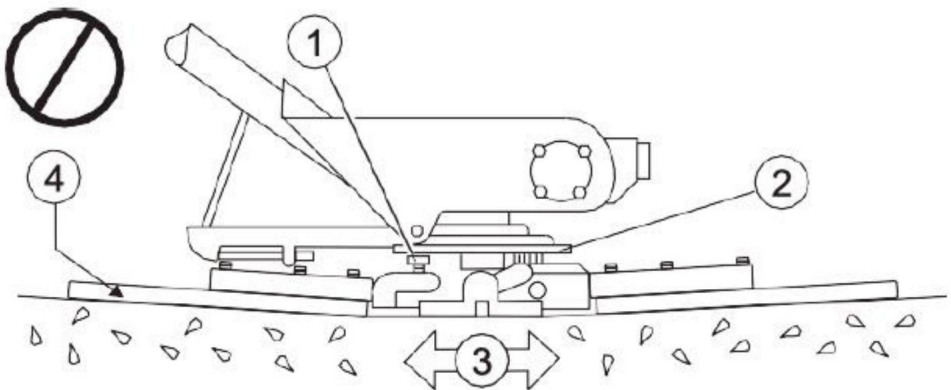


FIG. 17

### 13.3 Borttagning av glättarblad

13.3.1 Ta bort glättarbladen från glättarmen genom att ta bort de två sexkantsbultar från glättarmen. Ställ bladen åt sidan.

13.3.2 Stålbörsta all ansamling av betong från alla sex sidor av glättaren ärm. Upprepa detta för de återstående tre armarna.

## 13.4 Återmontering

13.4.1 Rengör och undersök de övre/nedre slitplåtarna och tryck på krage.

13.4.2 Undersök hela spindelensheten. Stålbörste valfri betong eller rostuppbyggnad. Om några spindelkomponenter visar sig vara skadade eller missformad, byt ut den.

13.4.3 Sätt tillbaka bronsbussningen på glättarmarna.

13.4.4 Upprepa ovanstående steg för varje glättarm.

13.4.5 Se till att fjäderspännaren är i rätt läge att utöva spänning på glättarmen.

13.4.6 Med bronsbussningen redan installerad, sätt in alla glättarmarna med spakar in i spindelplattan.

13.4.7 Var försiktig för att rikta in fetthålet på bronsbussningen med smörjhålskoppling på spindelplattan.

13.4.8 Lås glättarmarna på plats genom att dra åt sexkantsbulten med zerk smörjnippel och låsmutter.

13.4.9 Sätt tillbaka bladen på glättarmarna.

13.4.10 Montera stabiliseringsringen på spindelensheten.



### VARNING

Koppla bort tändstiftskabeln från tändstiftet och säkra bort från motorn innan du utför underhåll eller justeringar på maskinen.

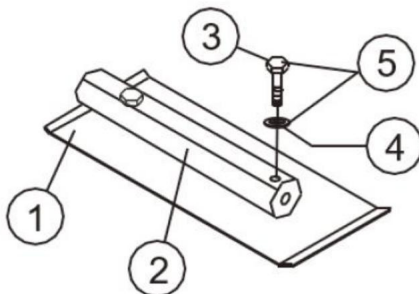
ÿ Blad

ÿKlingarm

ÿ Sexkantsbult

ÿLåsbricka

ÿ Ta bort från armen



## 13.5 Byte

FBIIGa.d1e8s

## Endast

Vi rekommenderar att alla blad byts samtidigt. De murslev kan vinkla eller studsa om inte.

13.5.1 Placera maskinen på en plan, jämn yta. Justera bladets stigning kontroll för att göra bladen så plana som möjligt.

### NOTERA

Var uppmärksam på bladets orientering på glättararmen.

13.5.2 Ta bort de två bultarna och lås brickorna som håller fast bladet murslevarmen.

13.5.3 Ta bort bladet.

13.5.4 Använd en stålborste för att skrapa alla betongpartiklar och förfalska skräp från murslevarmen.

13.5.5 Montera det nya glättarbladet på glättararmen. Se till att

bladet är korrekt installerat och bibehåller rätt orientering för riktning av rotation.

13.5.6 Sätt tillbaka de två bultarna och låsbrickorna som håller fast bladet vid glättararm. Dra åt bultarna ordentligt.

13.5.7 Upprepa stegen för alla återstående blad.

13.6 Installation av kokkärl på efterbehandlarblad



### **WARNING**

**Lyft-/klämrisk.**

**Lyft INTE glättaren med kokkärlen påsatta.**

**Installera ALLTID kokkärl på arbetsområdet eller ett område som är nästa till/i nivå med arbetsområdet.**

**Lyft INTE glättaren när kastrullerna är fastsatta.**

13.6.1 Lyft glättaren precis tillräckligt för att skjuta pannan under bladen. Med bladen intill Z-klämmorna, sänk ned efterbehandlaren på pannan.

13.6.2 Vrid bladen på plats under Z-klämmorna. Se till att knivarna roteras i färdriktningen när maskinen är i

drift. Eller använd motorn för att rotera bladen på plats.

13.6.3 Fäst bladfästena på den borte sidan av Z-clipsfästena med förankringsknoppar.

13.6.4 Kontrollera innan maskinen tas i drift igen att bladkanterna är säkrade under Z-klämmorna.

13.6.5 Innan maskinen tas i drift igen, kontrollera för att vara säker att fästena är ordentligt säkrade över bladets kanter.

### 13.7 Borttagning av spindellåda

13.7.1 När det har fastställts att en justering krävs, ta bort spindelns enhet från växellådans axel enligt följande:

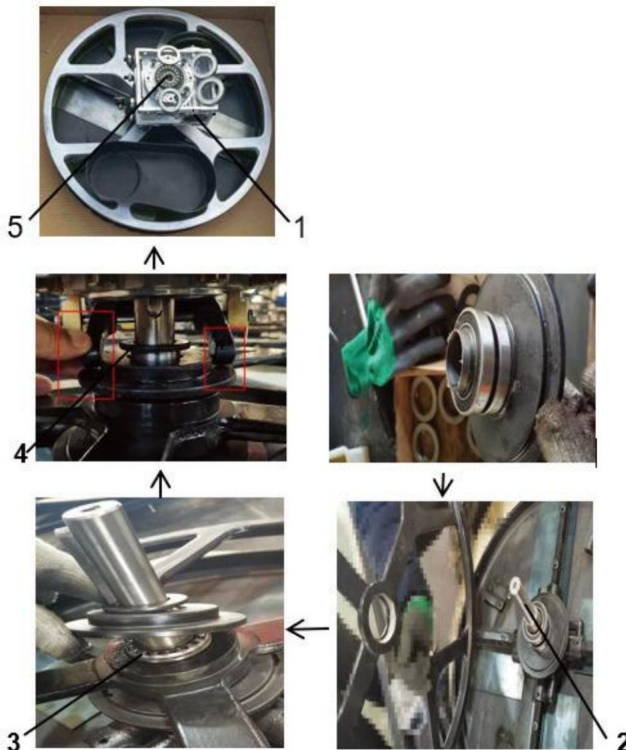
13.7.2 Ta bort nollkopplingen och insexskruven som anges av "brev".

13.7.3 På motsatt sida av spindelns block finns en annan zerk-beslag och insexskruv. Ta bort båda dessa komponenter.

13.7.4 Lyft bort den övre glättarenheten från spindelns enhet.

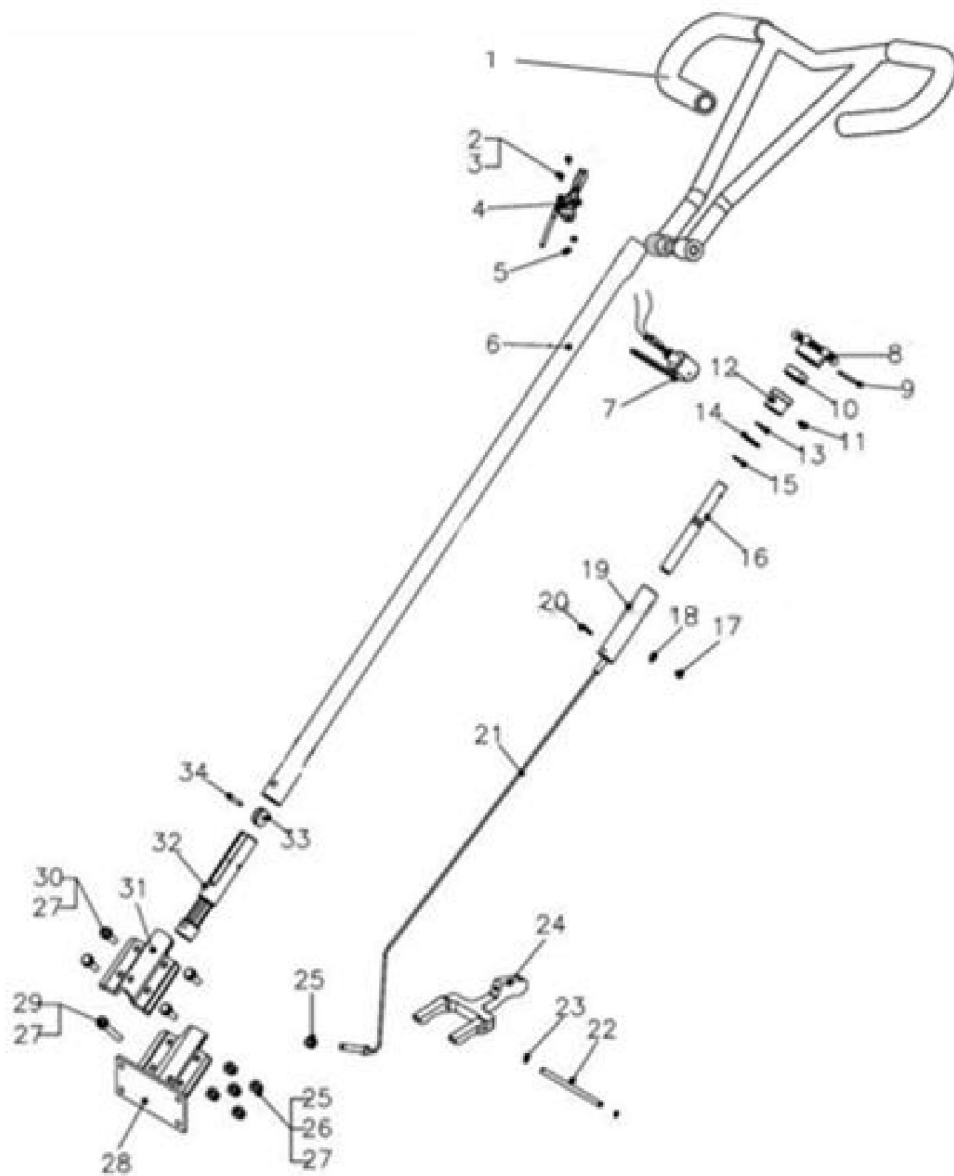
#### NOTERA

En lätt knackning med en gummiklubba kan vara nödvändig för att få bort spindelns enhet från växellådans huvudaxel.



# 14 Delarlista

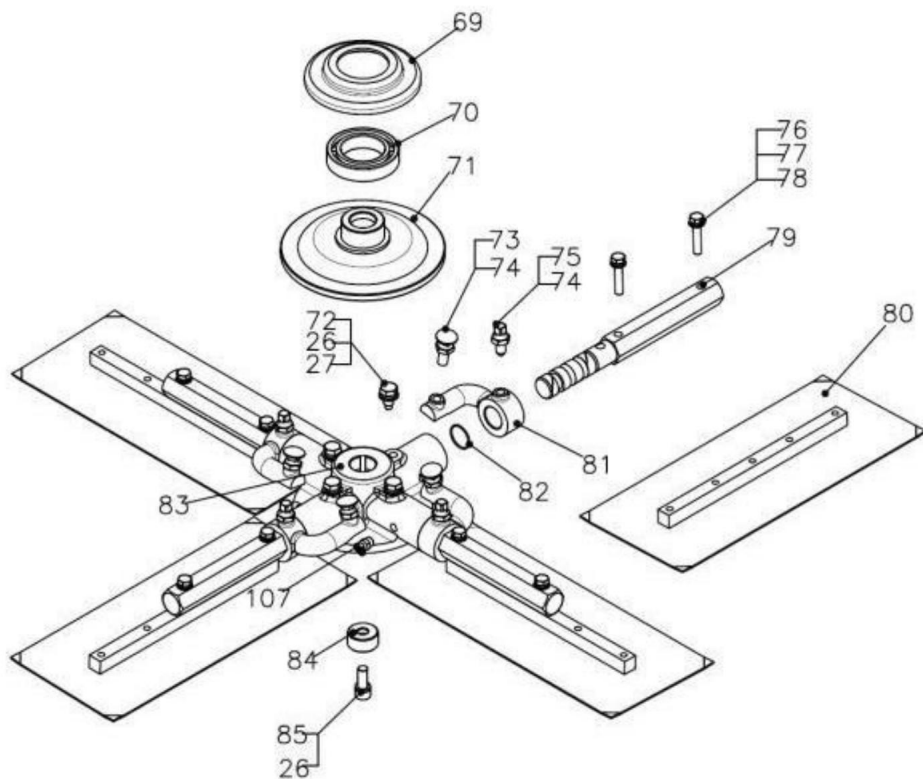
## Hantera



REF	delar nr.	Beskrivning	Q'TY	Dimension
1	RG-003	Plastöverdrag	2	
2	QSC-M4*8	Skruva	2	M4x8
3	QWS-PM4	Plattbricka	2	M4
4	TSA-01	Gasspjäll Assy.	1	
5	QNT-NM4		2	M4
6	W436F-001		1	
7	PAS-02	Nylåsmutterhandtag WA stoppbrytare (frigöringsstång Typ)	1	
8	436F-01-001	Justera	1	
9	QSP-5X50		1	5x50
10	QBR-51104		1	
11	QBL-M6X10	knoppfjäderstiftets lagerbult	1	M6x10
12	436F-01-004	Aluminiumguide	1	
13	QWS-WM19	Vågbricka	1	M19
14	QWS-PM19	Plattbricka	1	M19
15	QSR-S18	Snäppring	1	S18
16	436F-01-002	Justera skruvröret	1	
17	QBL-M6X8	Bult	1	M6X8
18	QWS-PM6	Fjäderbricka	1	M6
19	436F-01-003 20	Skruvguide	1	
	QSP-5X30	Spring Pin	1	5X30
21	436F-01-007 WT	Ståltråd	1	
22	436F-02-004	Ok Arm Pin	1	
23	QSR-S10	Snäppring	2	S10
24	436F-02-003 B	Ok arm	1	
25	QNT-NM10	Nylåsmutter	10	M10
26	QWS-SM10	Fjäderbricka	14	M10
27	QWS-PM10	Plattbricka	18	M10
28	436F-02-001	Handtagsstödbas	1	

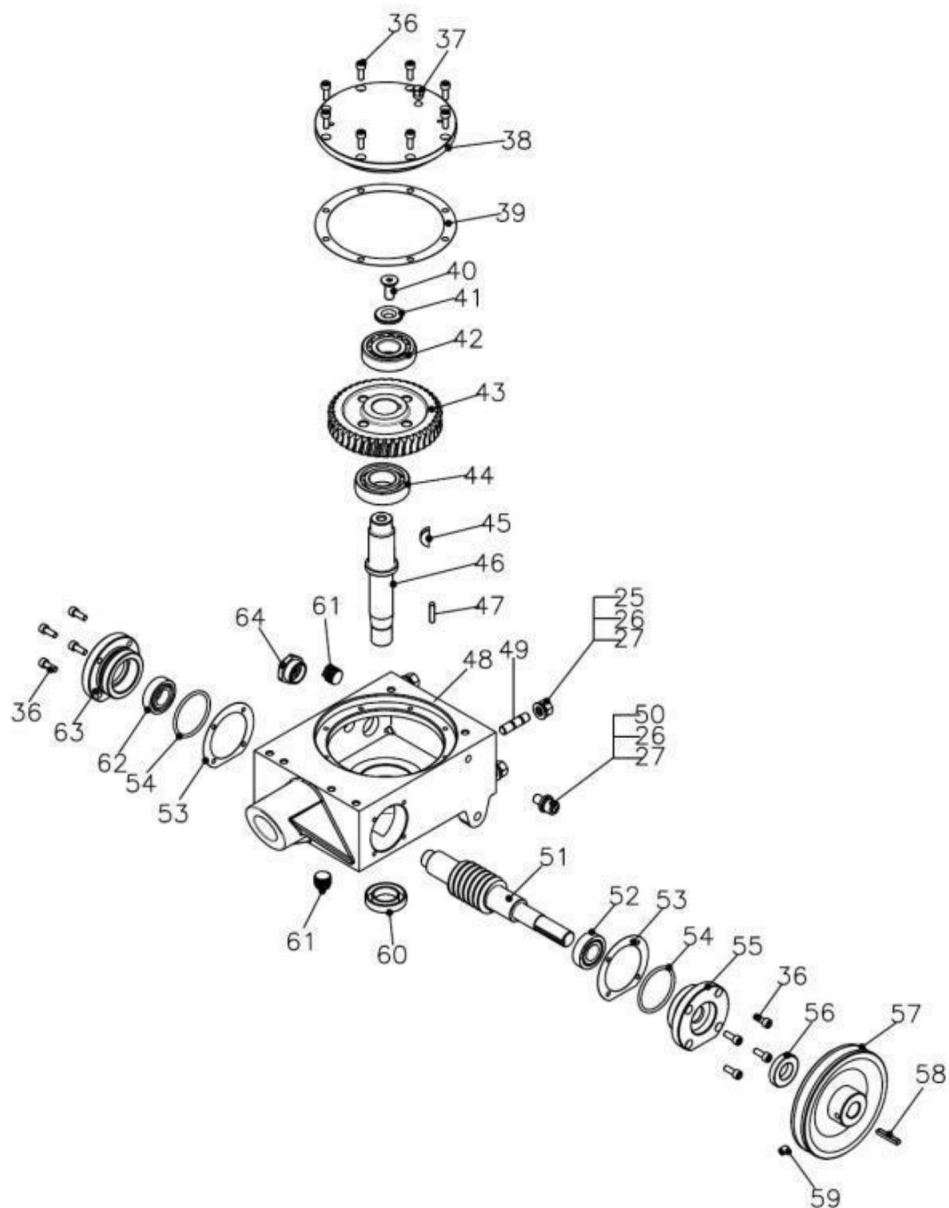
29	QBL-M10X70	Bult	1	M10X70
30	QBL-M10X35	Bult	4	M10X35
31	436F-02-002	Övre fäste	1	
32	436F-01-005	Ok av aluminium	1	
33	436A-01-010	Hjul	1	
34	QSP-3X30	Spring Pin	1	3X30

## Blad



REF	Delar nr.	Beskrivning	Q'TY	Dimension
26	QWS-SM10	Fjäderbricka	5	M10
27	QWS-PM10	Plattbricka	4	M10
69	436F-02-005B	Tryck på plåtlock	1	
70	QBR-6009	Lager	1	6009
71	436F-02-006B	Tryck på plåtlock	1	
72	QBL-M10X20	Bult	4	M10X20
73	QBL-BBM10X35	Bolt med rund huvud	4	M10X35
74	QNT-TM10	Tunn mutter	8	M10
75	QBL-SHM10X30	fyrkantsskruv 76	4	
	QBL-7/16X11/2	Bult	8	7/16*3/2L
77	QWS-SM8	Fjäderbricka	8	M8
78	QWS-PM8	Plattbricka	8	M8
79	436F-02-009B	Bladarm	4	
80	436F-02-014	Bladmontering	4	
81	436F-02-008	Tiltarm	4	
82	SKRIV-S22	O-ring	4	22x1,5t
83	436F-02-007B	Spindel	1	
84	436F-02-010	Spindelbussning	1	
85	QBL-LM10X30	Hylsbult	1	M10x30

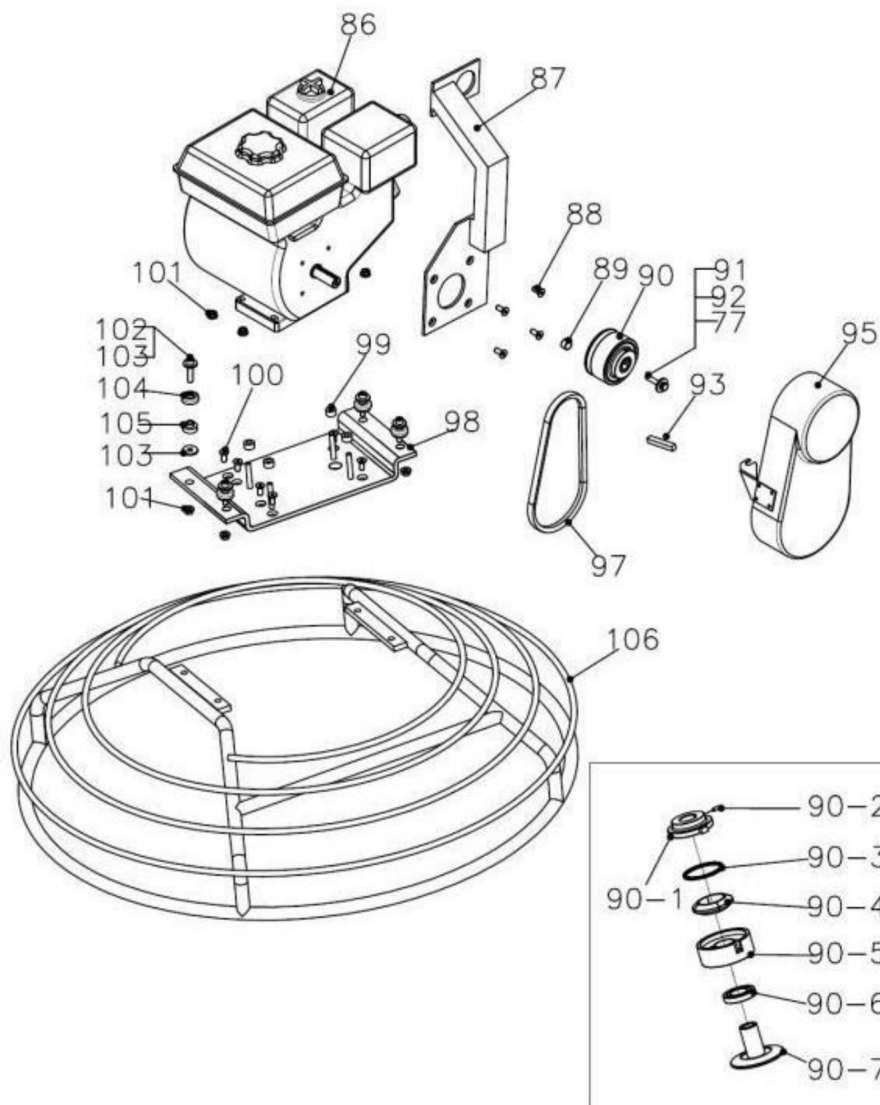
## Växellåda



REF	Delar nr.	Beskrivning	Q'TY	Dimension
	436F-03	Växellåda montering	1	
25	QNT-NM10	Nylåsmutter	4	M10
26	QWS-SM10	Fjäderbricka	5	M10
27	QWS-PM10	Plattbricka	5	M10
36	QBL-M6X16	Bult	16	M6X16L
37	QVR-M8	Frigöringsventil	1	
38	436F-03-004	Stort omslag	1	
39	436F-03-005	Packning av Big Cover	1	
40	QBL-FHM10x25 Flat Socket Head Bolt		1	M10x25
41	QWS-SSM10	Bricka	1	M10
42	QBR-30305	Lager	1	30305
43	436F-03-008	Snäckväxel	1	
44	QBR-6206	Lager	1	6206
45	QKY-W6X10X25 46	Trä nyckel	1	6X10X25
	436F-02-012	Huvudschakt	1	
47	QKY-6X25	Nyckel	1	6X25
48	436F-03-001	Skal	1	
49	QBL-STM10x40	Stud Shop	4	M10x40
50	QBL-M10X16	Bult	1	M10X16
51	436F-03-007	Snäckskaft	1	
52	QBR-32004	Lager	1	32004
53	436F-03-006	Packning av sidokåpa	2	
54	SKRIV-P55	O-ring	2	55x3,5t
55	436F-03-003	Utgångs sidokåpa	1	
56	QOS-20X40X8	Oljetätning	1	
57	436F-04-005	Remskiva	1	
58	QKY-5X35	Nyckel	1	5X35
59	QBL-M8X10	Bult	1	M8X10
60	QOS-27X47X10	Oljetätning	1	27X47X10
61	436A-03-008WT	Oljeavlopp	2	
62	QBR-6004	Lager	1	6004

63	436F-03-002	Sidoskydd	1	
64	QOCW-M27x1.5 Oljekontrollfönster		1	M27x1,5

## Säkerhetsring



REF	Delar nr.	Beskrivning	Q'TY	Dimension
77	QWS-SM8	Fjäderbricka		M8
86	GX160	Motor GX-160	1	
87	W436F-005	Kroklyft	1	
88	QBL-SHM8X20	Socket Head Cap Bolt	4	
89	436F-04-013	Kopplingsbussning	1	
90	CA-01	Koppling	1	
90-1	CA-01-004	Ansiktsplatta	1	
90-2	QBL-AM8x16	Ställskruv	2	M8x16
90-3	CA-01-005	Kopplingsfjäder	1	
90-4	CA-01-003	Skovikt	1	
90-5	CA-01-002	Kopplingstrumma	1	
90-6	QBR-6006	Lager	1	6006
90-7	CA-01-001	Kopplingsaxel	1	
91	QBL-M8X35	Bult	1	M8X35
92	QWS-SPM8	Specialplåtbricka	1	M8
93	QKY-5x5x50	Nyckel	1	5x5x50
95	436F-04-006	Bältesskydd	1	
97	QBT-A26	Kilrem	1	A26
98	W436F-002	Motormonteringsplatta	1	
99	436F-04-107	Motorfästes bussning	4	
100	QBL-FHM8X20	Flat Head Cap Bolt 101	4	M8X20
	QNT-M8	Nöt	8	M8
102	QBL-LM8X40	Bult med insex	4	M8X40
103	QWS-PM8		8	M8
104	436F-04-004	Kopp	4	
105	436F-04-003	Sudd	4	
106	W436F-004B	Säkerhetsring	1	



**VEVOR**®

**TOUGH TOOLS, HALF PRICE**

**Teknisk support och e-garanticertifikat**

**[www.vevor.com/support](http://www.vevor.com/support)**